



US00D878001S

(12) **United States Design Patent**  
**Kleinikkink et al.**

(10) **Patent No.:** **US D878,001 S**  
(45) **Date of Patent:** **\*\* Mar. 10, 2020**

(54) **SHUTTLE FOR A CONVEYOR SYSTEM**

(74) *Attorney, Agent, or Firm* — Gowling WLG (Canada) LLP; Neil W. Henderson

(71) Applicant: **ATS AUTOMATION TOOLING SYSTEMS INC.**, Cambridge (CA)

(57) **CLAIM**

The ornamental design for a shuttle for a conveyor system, as shown and described.

(72) Inventors: **Albert Kleinikkink**, Cambridge (CA);  
**Louis Ian Cameron**, Cambridge (CA);  
**Roger Hogan**, Cambridge (CA)

**DESCRIPTION**

(73) Assignee: **ATS AUTOMATION TOOLING SYSTEMS INC.**, Cambridge, Ontario (CA)

FIG. 1 is a top left perspective view of a shuttle for a conveyor system showing our new design.

FIG. 2 is a bottom right perspective view thereof.

FIG. 3 is a front view thereof.

FIG. 4 is rear a view thereof.

FIG. 5 is a top view thereof.

FIG. 6 is a bottom view thereof.

FIG. 7 is a left view thereof.

FIG. 8 is a right view thereof.

FIG. 9 is a top left perspective view of a shuttle for a conveyor system showing our new design according to an embodiment.

FIG. 10 is a bottom right perspective view thereof.

FIG. 11 is a front view thereof.

FIG. 12 is rear a view thereof.

FIG. 13 is a top view thereof.

FIG. 14 is a bottom view thereof.

FIG. 15 is a left view thereof.

FIG. 16 is a right view thereof.

FIG. 17 is a top left perspective view of a shuttle for a conveyor system showing our new design according to an embodiment.

FIG. 18 is a bottom right perspective view thereof.

FIG. 19 is a front view thereof.

FIG. 20 is rear a view thereof.

FIG. 21 is a top view thereof.

FIG. 22 is a bottom view thereof.

FIG. 23 is a left view thereof; and,

FIG. 24 is a right view thereof.

The broken lines in the drawings are for the purpose of illustrating portions of the shuttle for a conveyor system, which form no part of the claimed design.

(\*\*) Term: **15 Years**

(21) Appl. No.: **29/649,187**

(22) Filed: **May 28, 2018**

**Related U.S. Application Data**

(63) Continuation of application No. 29/627,539, filed on Nov. 28, 2017, now abandoned.

(51) **LOC (12) Cl.** ..... **12-05**

(52) **U.S. Cl.**  
USPC ..... **D34/35**

(58) **Field of Classification Search**  
USPC ..... 198/464.1, 582, 584, 617, 618, 631;  
D8/8, 358, 499; D34/28, 29, 30, 31, 32,  
D34/33, 34, 35, 36, 37

(Continued)

(56) **References Cited**

**U.S. PATENT DOCUMENTS**

3,280,410 A \* 10/1966 Propst ..... A47C 4/54  
267/117

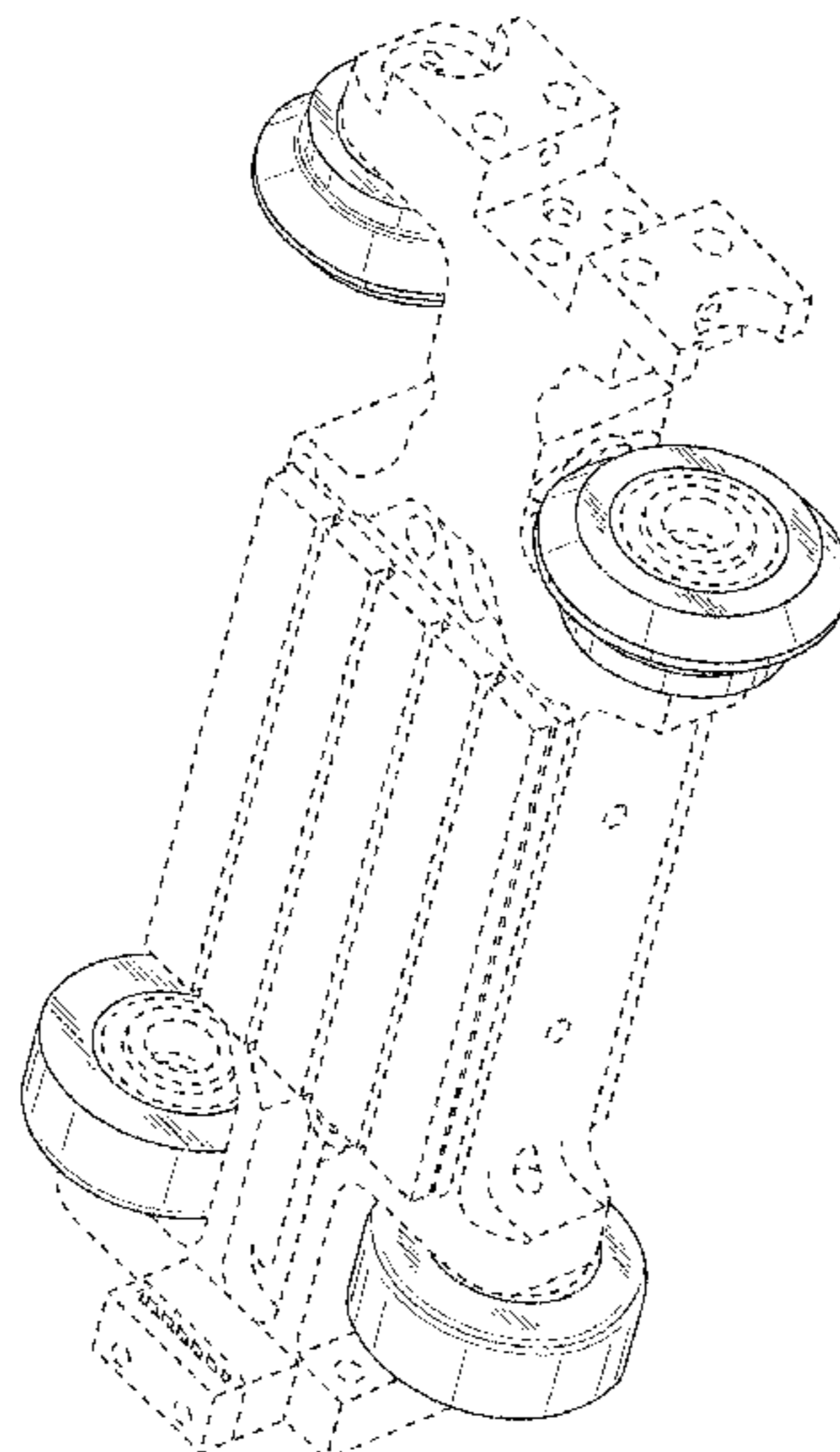
3,424,857 A \* 1/1969 Kipp ..... H02G 3/088  
16/2.2

(Continued)

*Primary Examiner* — Cynthia Ramirez

*Assistant Examiner* — Michael A Maharajh

**1 Claim, 24 Drawing Sheets**



(58) **Field of Classification Search**  
 CPC ..... H01L 21/67144; B21C 47/24; A47C 4/54;  
 B07C 5/18; B65G 47/53; B65G 49/00;  
 B62D 65/18; F16C 13/00; F16H 55/36  
 See application file for complete search history.

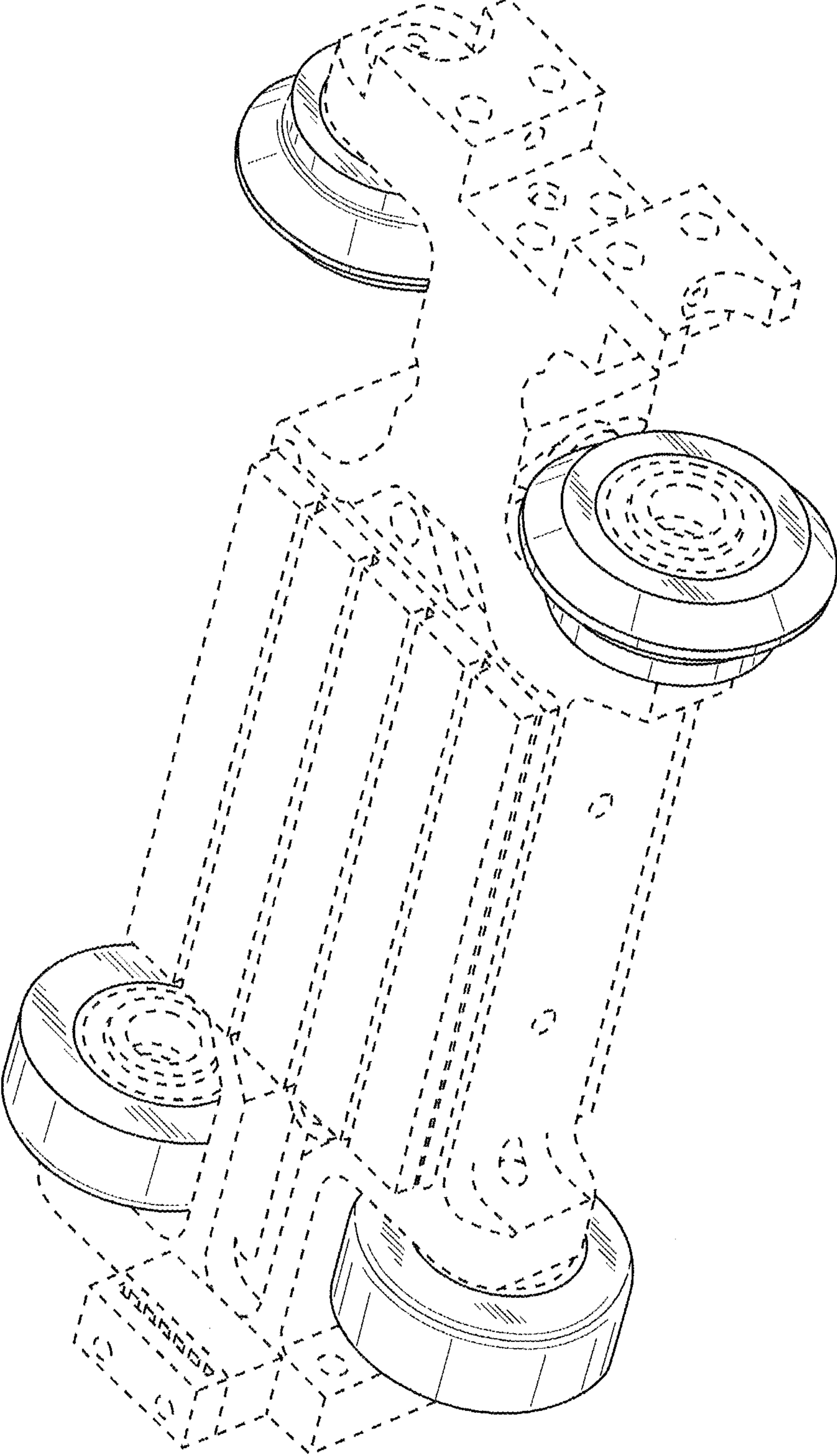
(56) **References Cited**

U.S. PATENT DOCUMENTS

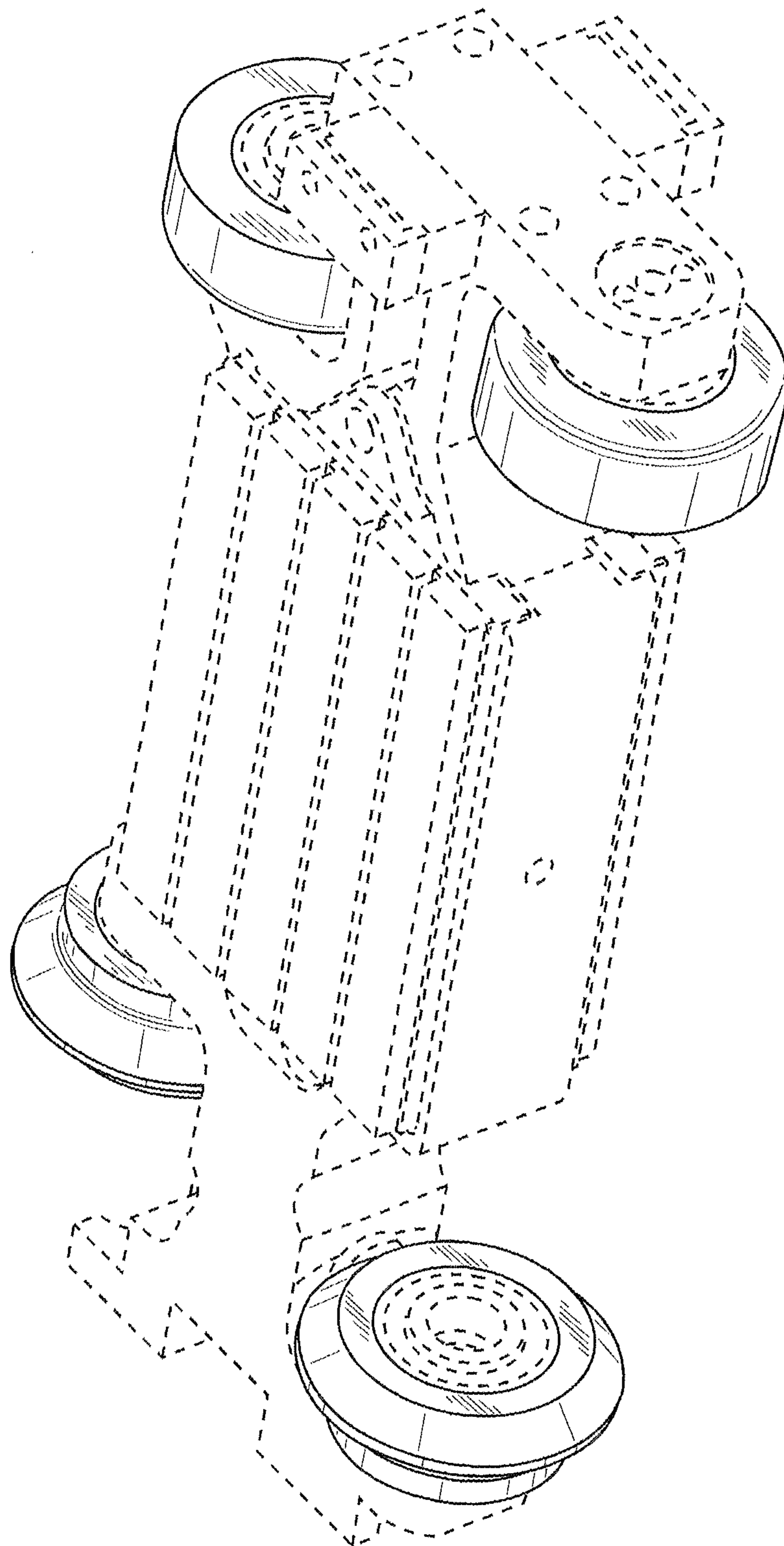
D219,297 S \* 11/1970 Clay ..... D34/31  
 3,568,825 A \* 3/1971 Munger ..... B65G 25/08  
 198/746  
 D291,777 S \* 9/1987 Lapeyre ..... D34/29  
 D299,425 S \* 1/1989 Schroeder ..... D34/29  
 4,842,251 A \* 6/1989 Porter ..... F16H 7/18  
 242/157 R  
 D326,408 S \* 5/1992 Smith ..... D8/499  
 D360,820 S \* 8/1995 Haase ..... D8/356  
 D381,574 S \* 7/1997 Kruszka ..... D6/718.31  
 D388,692 S \* 1/1998 Anderson ..... D8/358  
 D415,815 S \* 10/1999 Kaneko ..... D22/137  
 D415,816 S \* 10/1999 Yamaguchi ..... D22/137

D421,288 S \* 2/2000 Yamaguchi ..... D22/137  
 D421,479 S \* 3/2000 Yamaguchi ..... D22/137  
 D428,106 S \* 7/2000 Yamaguchi ..... D22/137  
 D443,816 S \* 6/2001 Ikeda ..... D8/396  
 6,415,904 B1 \* 7/2002 Markiewicz ..... B21C 47/24  
 198/463.3  
 6,554,128 B1 \* 4/2003 Davis ..... H01L 21/67144  
 198/468.4  
 D580,261 S \* 11/2008 Bulte ..... D8/387  
 D608,900 S \* 1/2010 Giraud ..... D24/216  
 D618,086 S \* 6/2010 Taatjes ..... D8/358  
 D624,571 S \* 9/2010 Hagleitner ..... D15/143  
 D627,216 S \* 11/2010 Fulginiti ..... D8/499  
 D658,478 S \* 5/2012 Wall ..... D8/349  
 8,528,720 B2 \* 9/2013 Mizukoshi ..... B65G 47/642  
 198/358  
 8,746,435 B2 \* 6/2014 Nijland ..... B07C 5/18  
 198/370.04  
 D718,136 S \* 11/2014 Harrity ..... D9/499  
 D759,334 S \* 6/2016 Aoki ..... D34/28  
 D782,180 S \* 3/2017 Eberhard ..... D3/18  
 D811,858 S \* 3/2018 Martino ..... D8/356

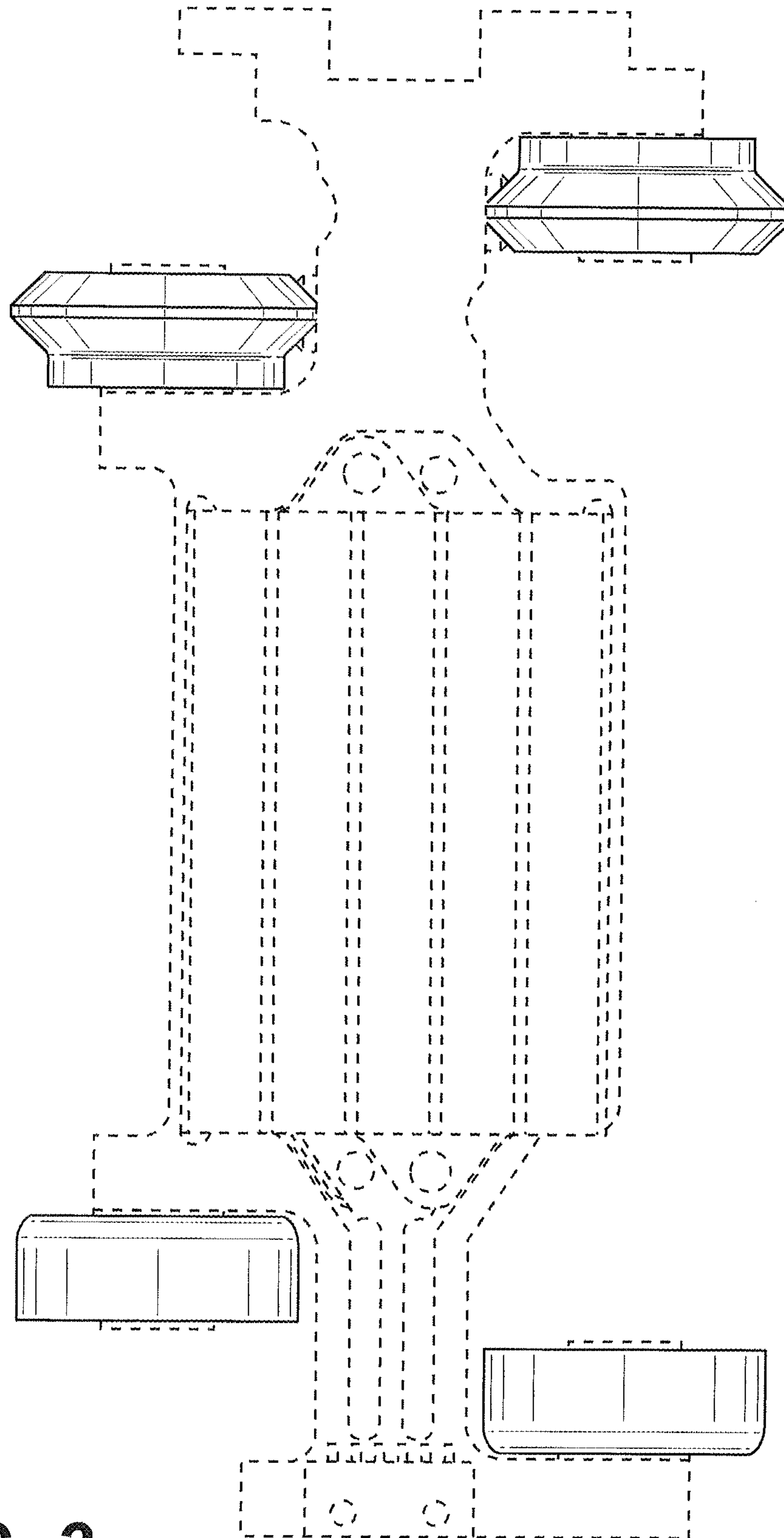
\* cited by examiner



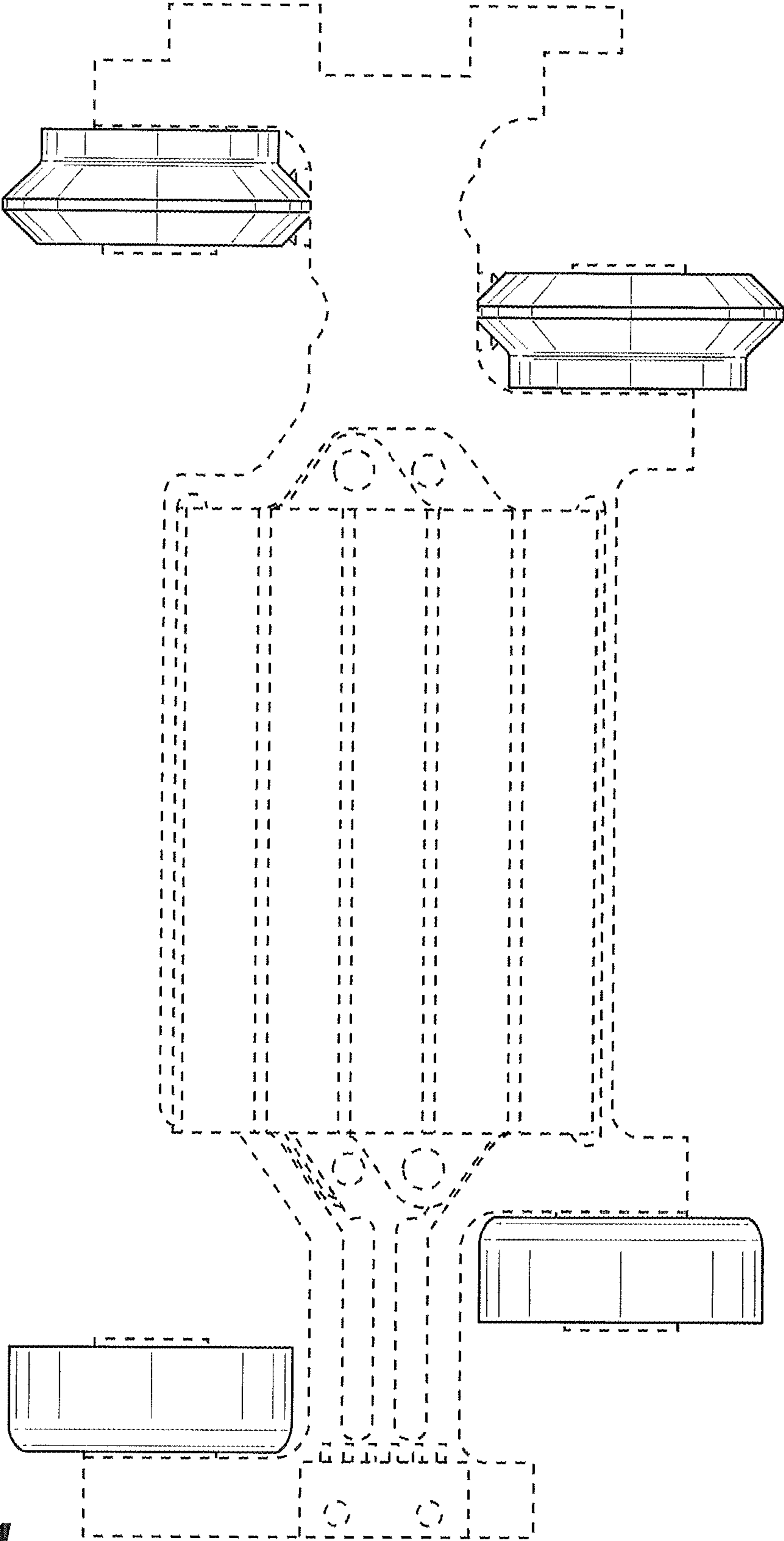
**FIG. 1**



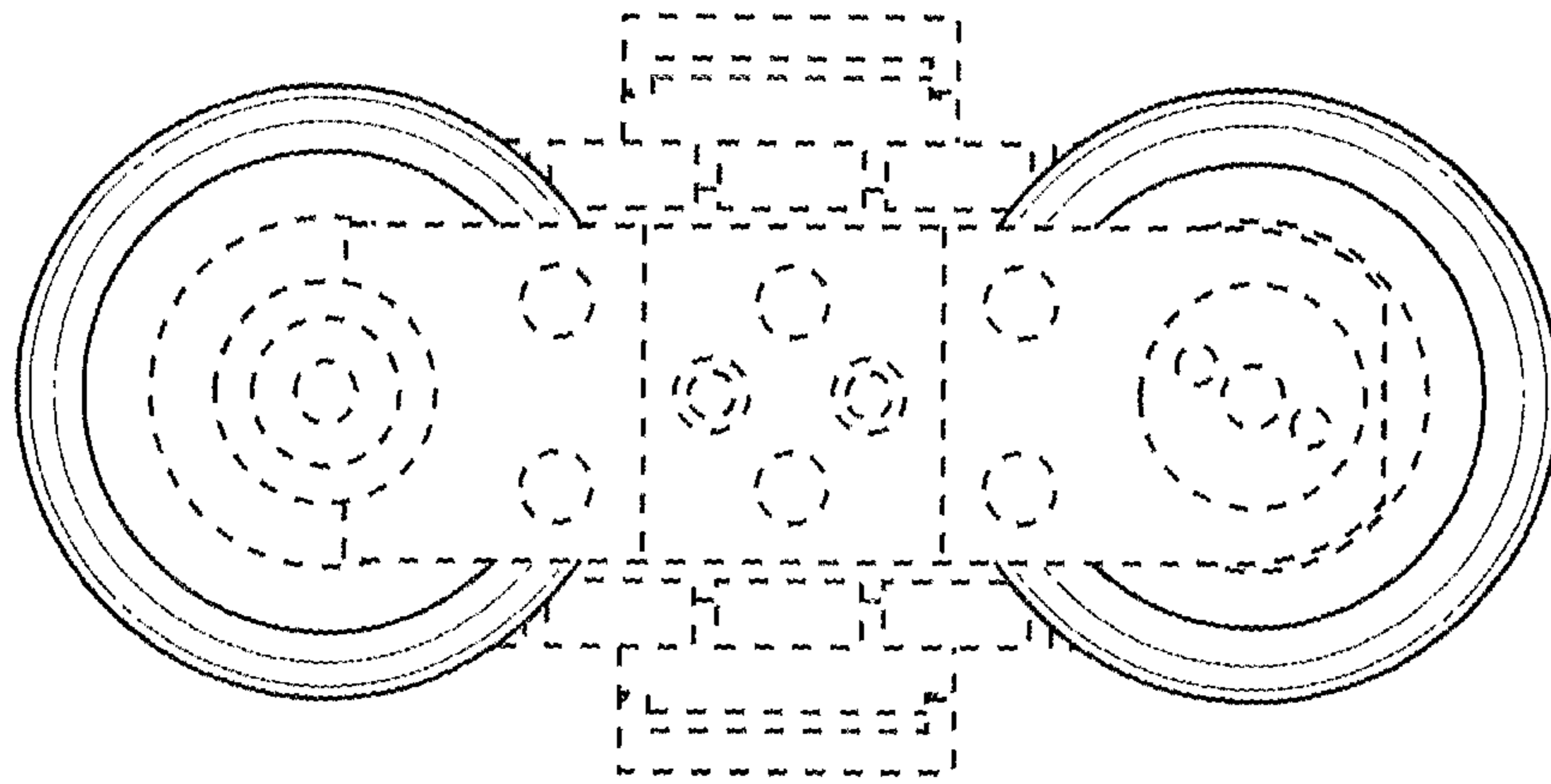
**FIG. 2**



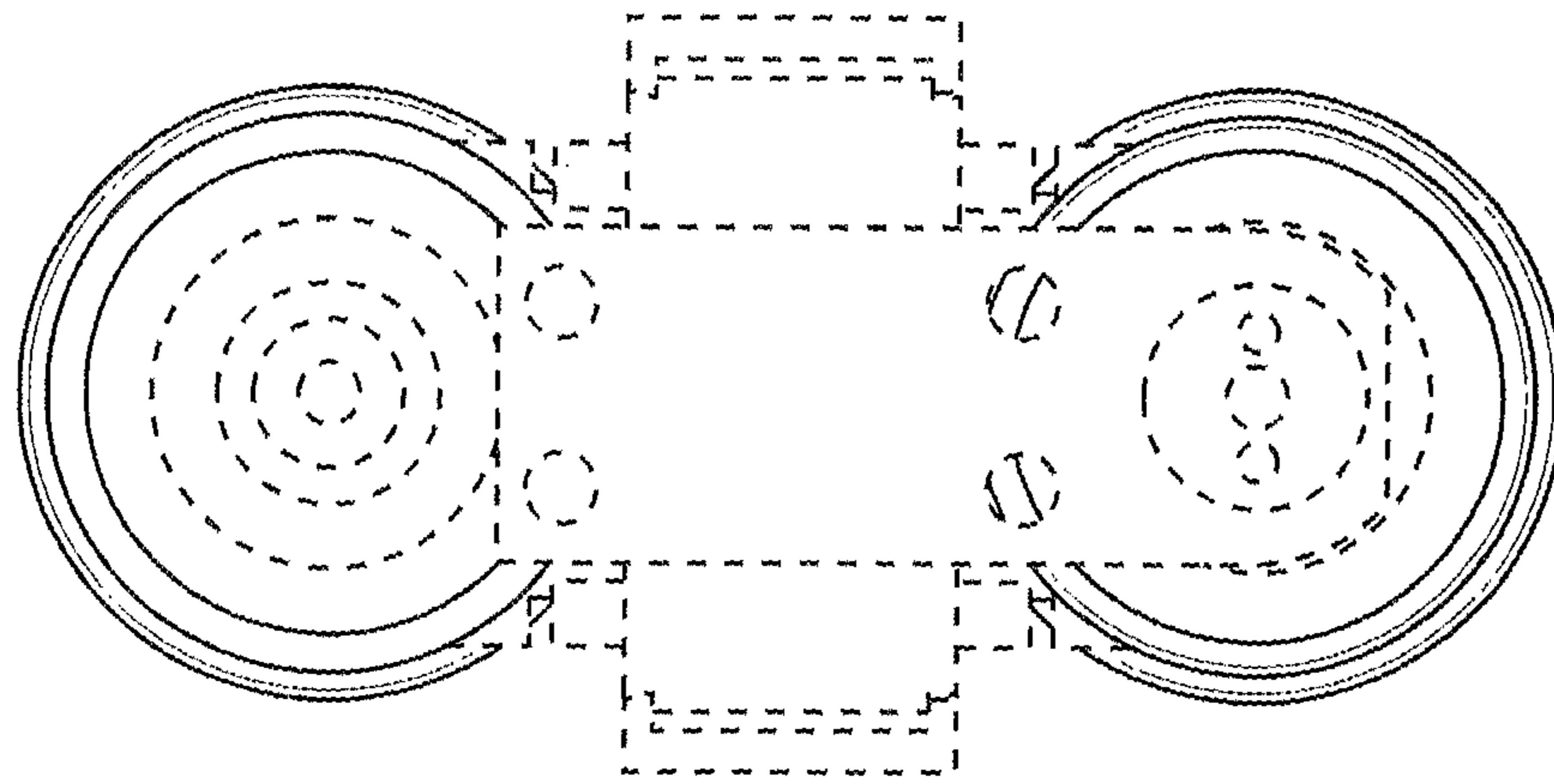
**FIG. 3**



**FIG. 4**

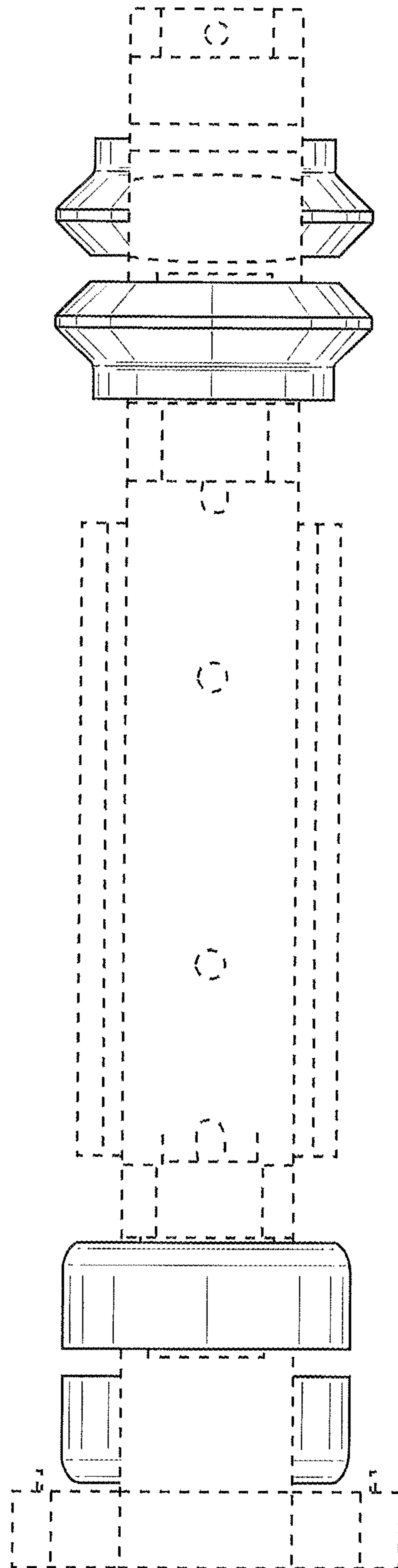


**FIG. 5**

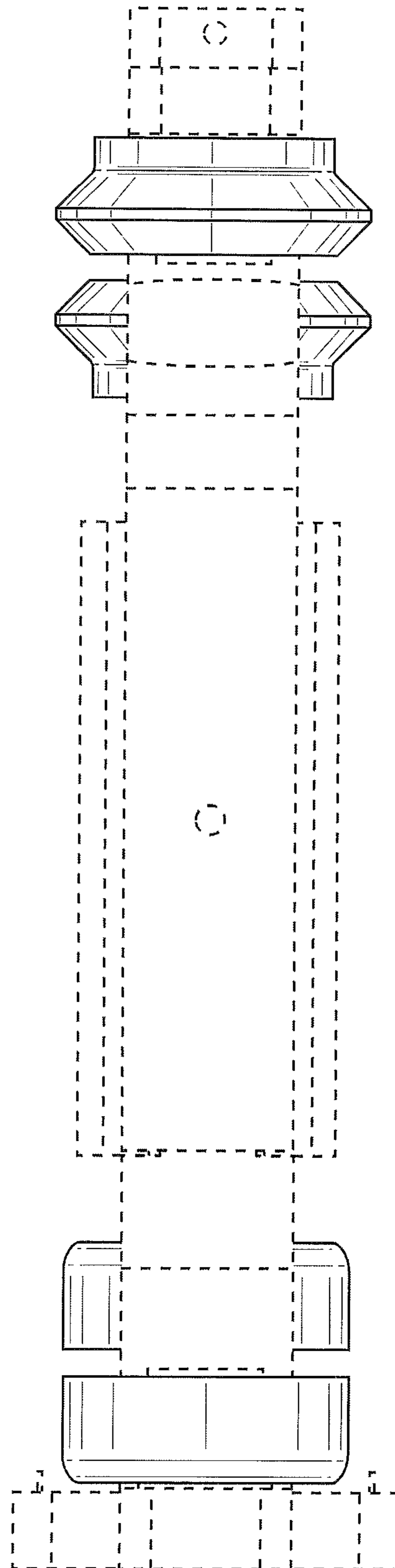


**FIG. 6**





**FIG. 7**



**FIG. 8**

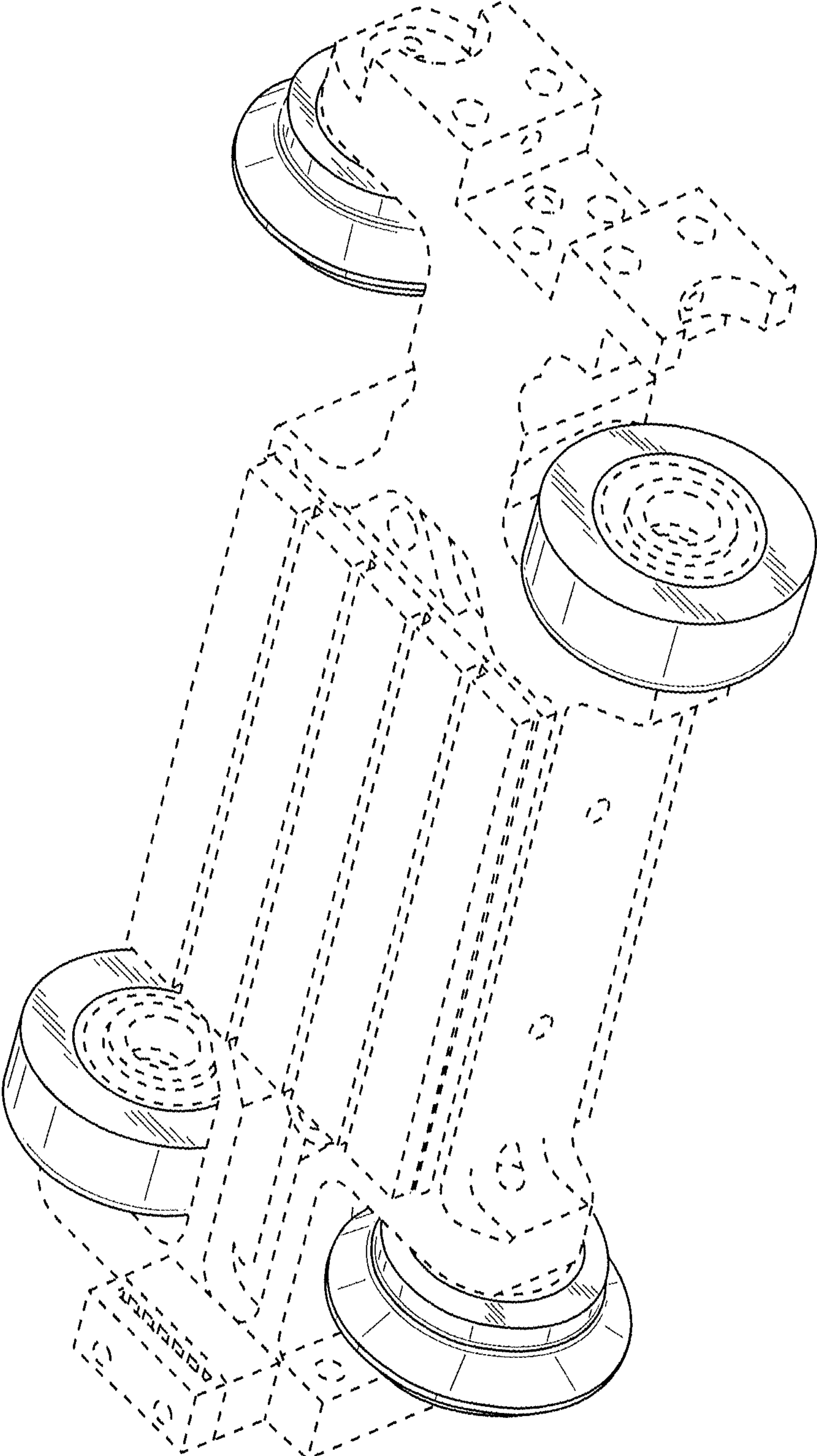


FIG. 9

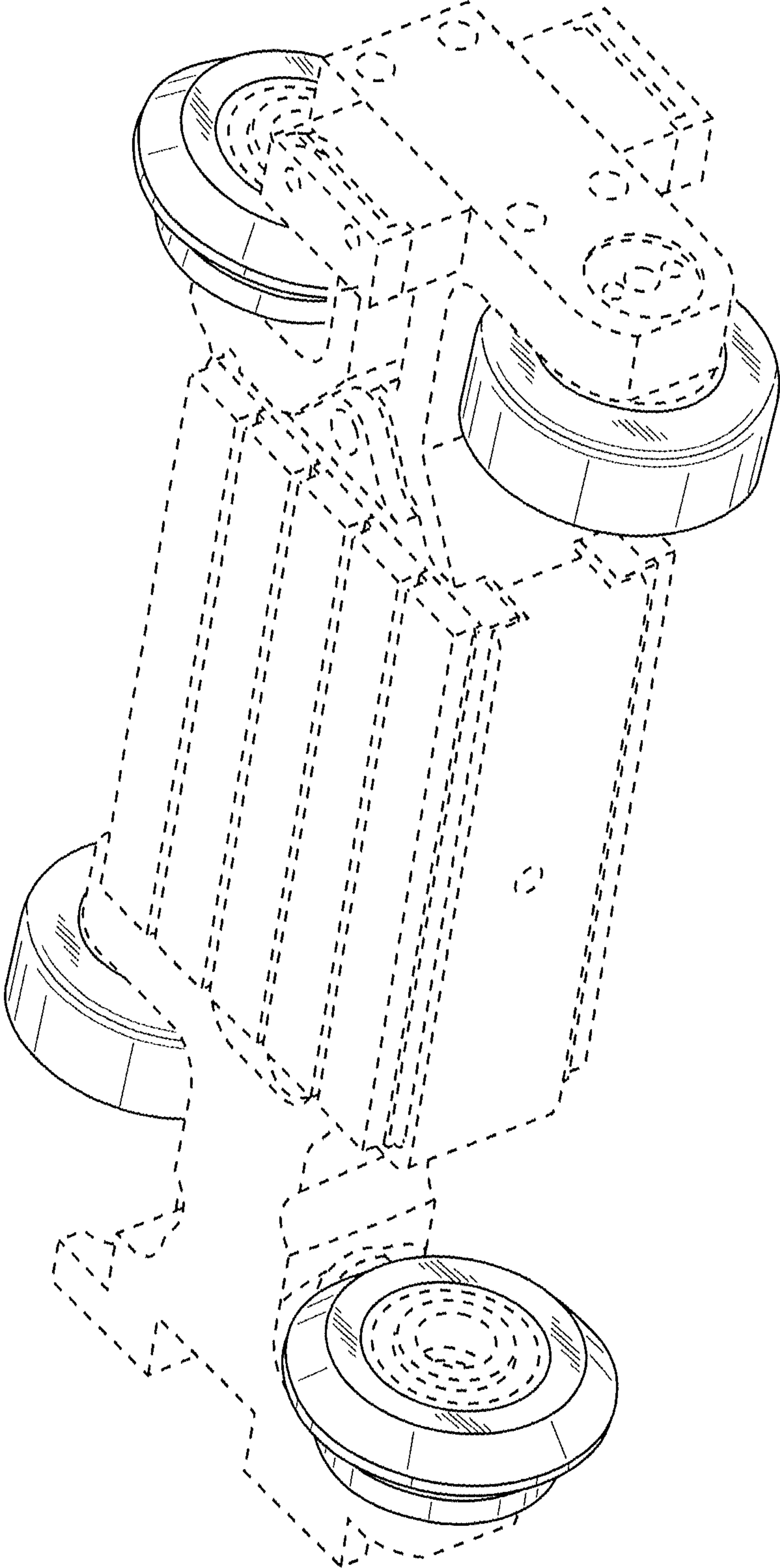


FIG. 10

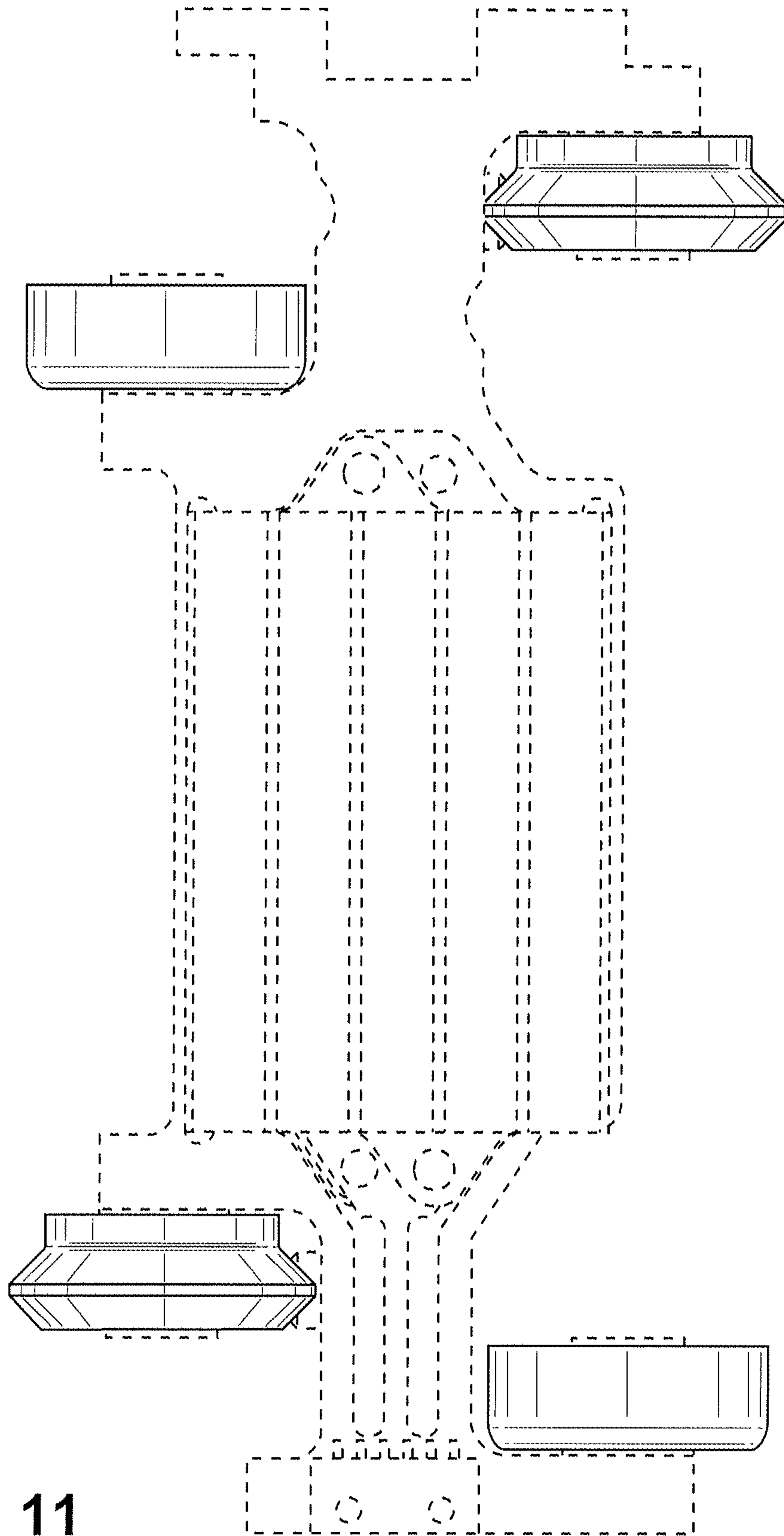


FIG. 11

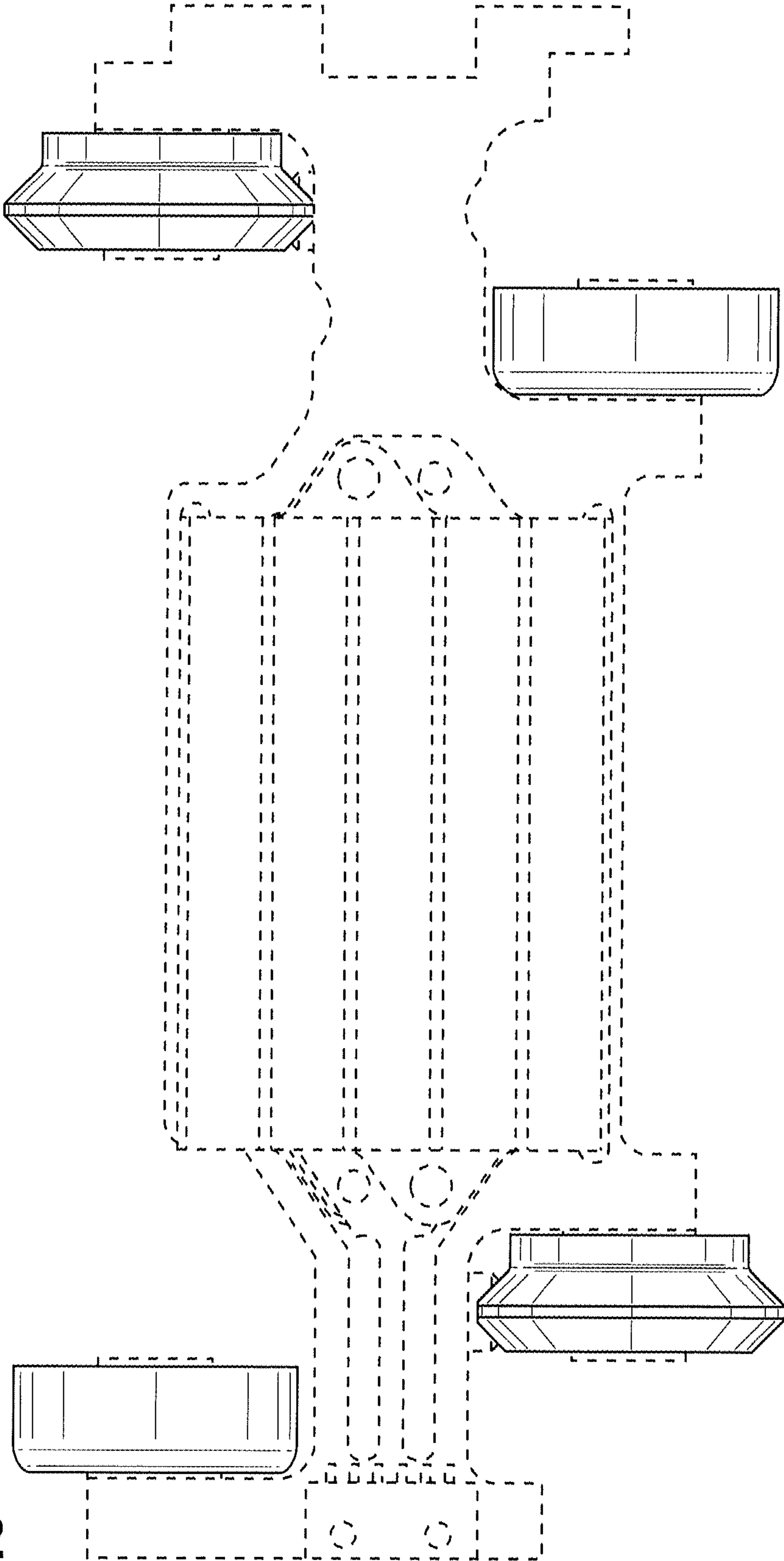
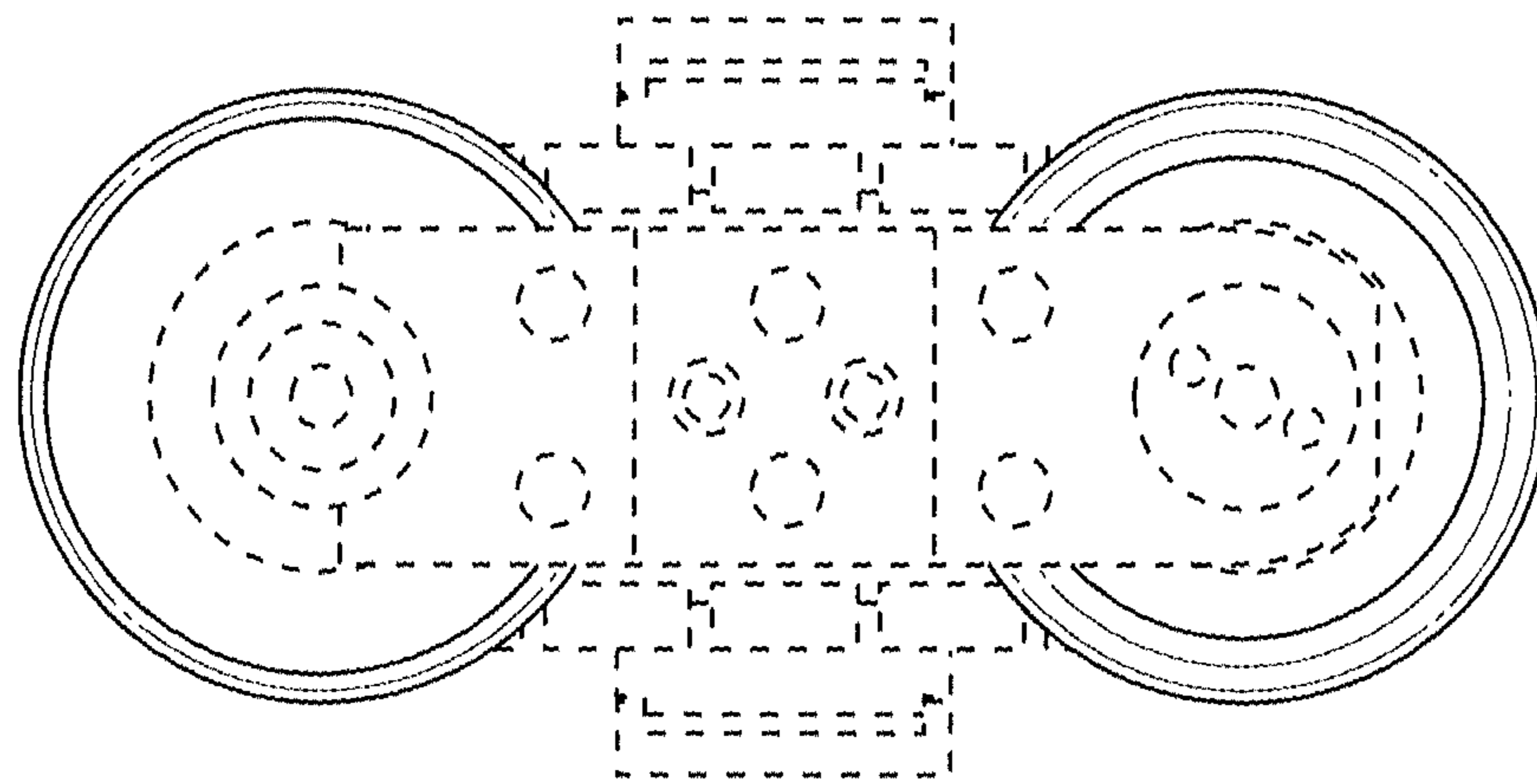
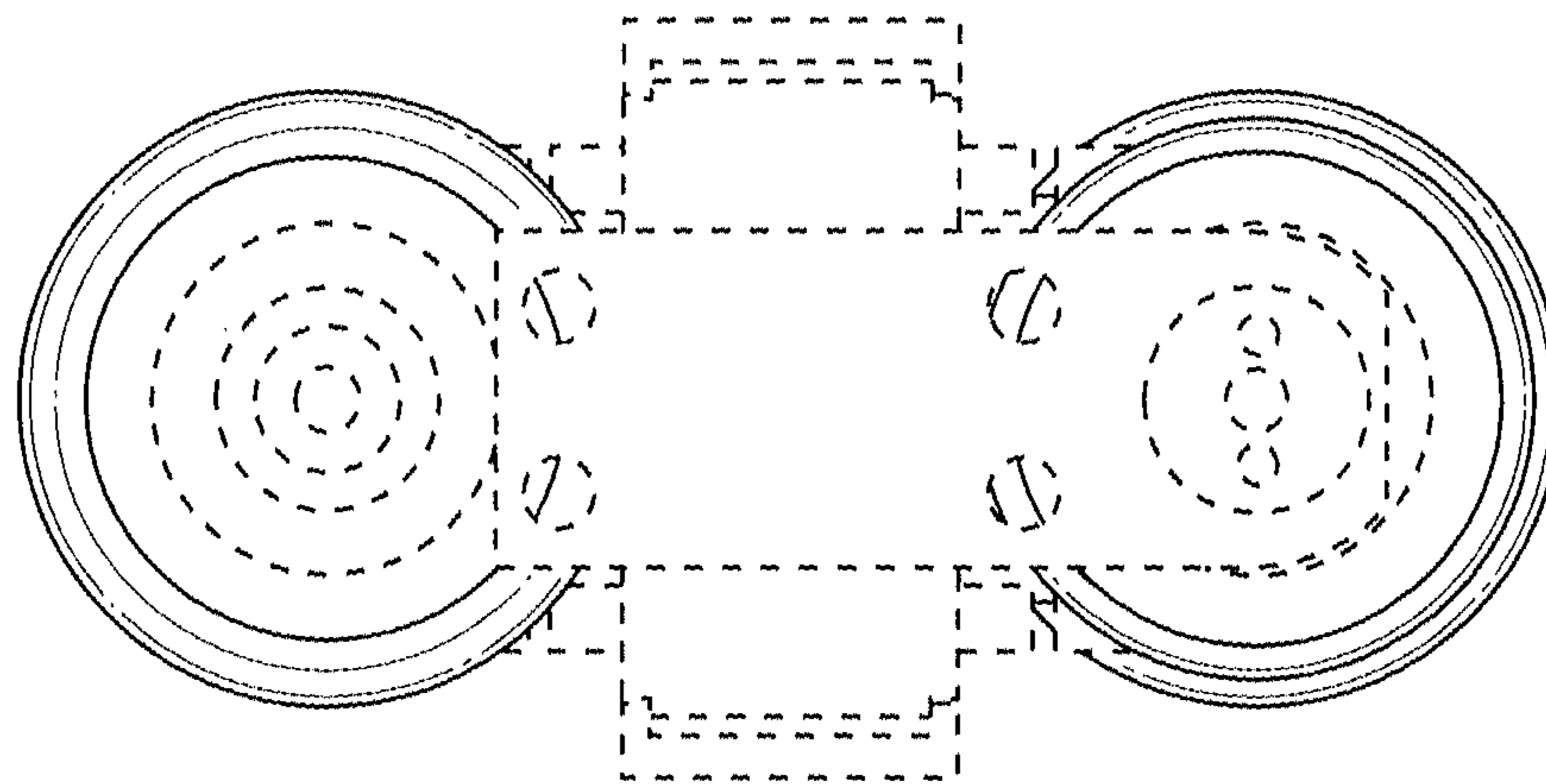


FIG. 12

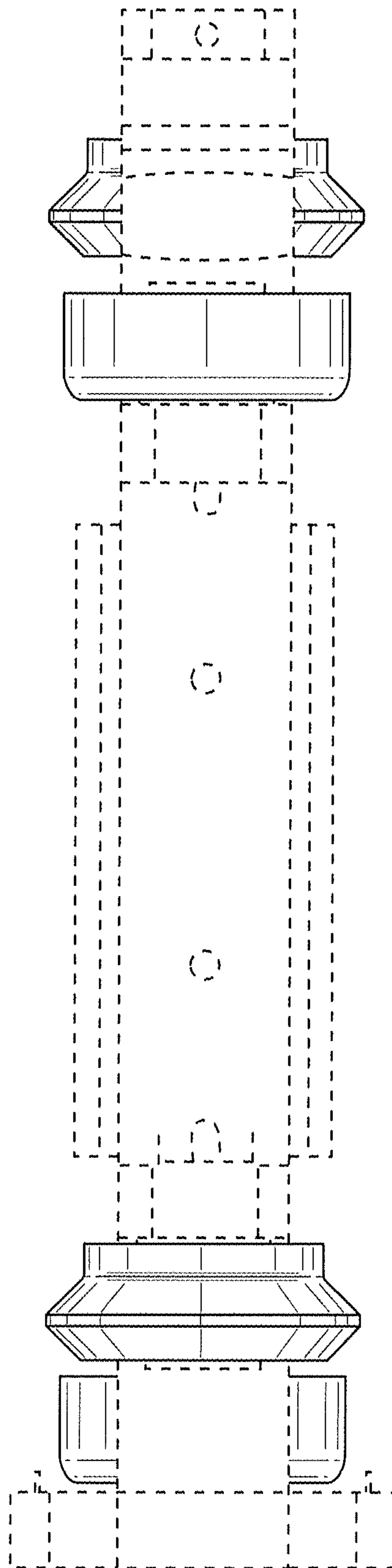


**FIG. 13**



**FIG. 14**





**FIG. 15**

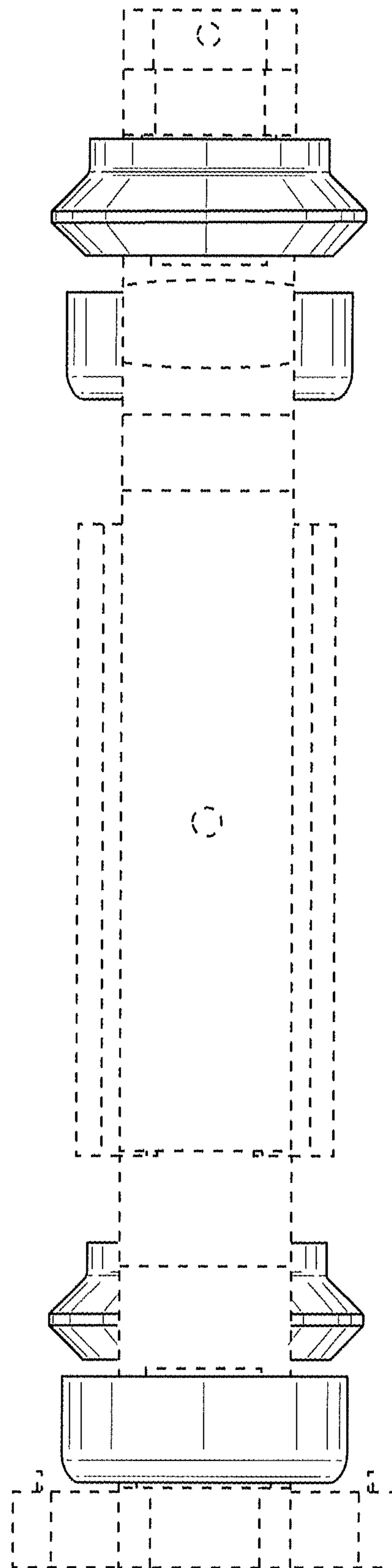


FIG. 16

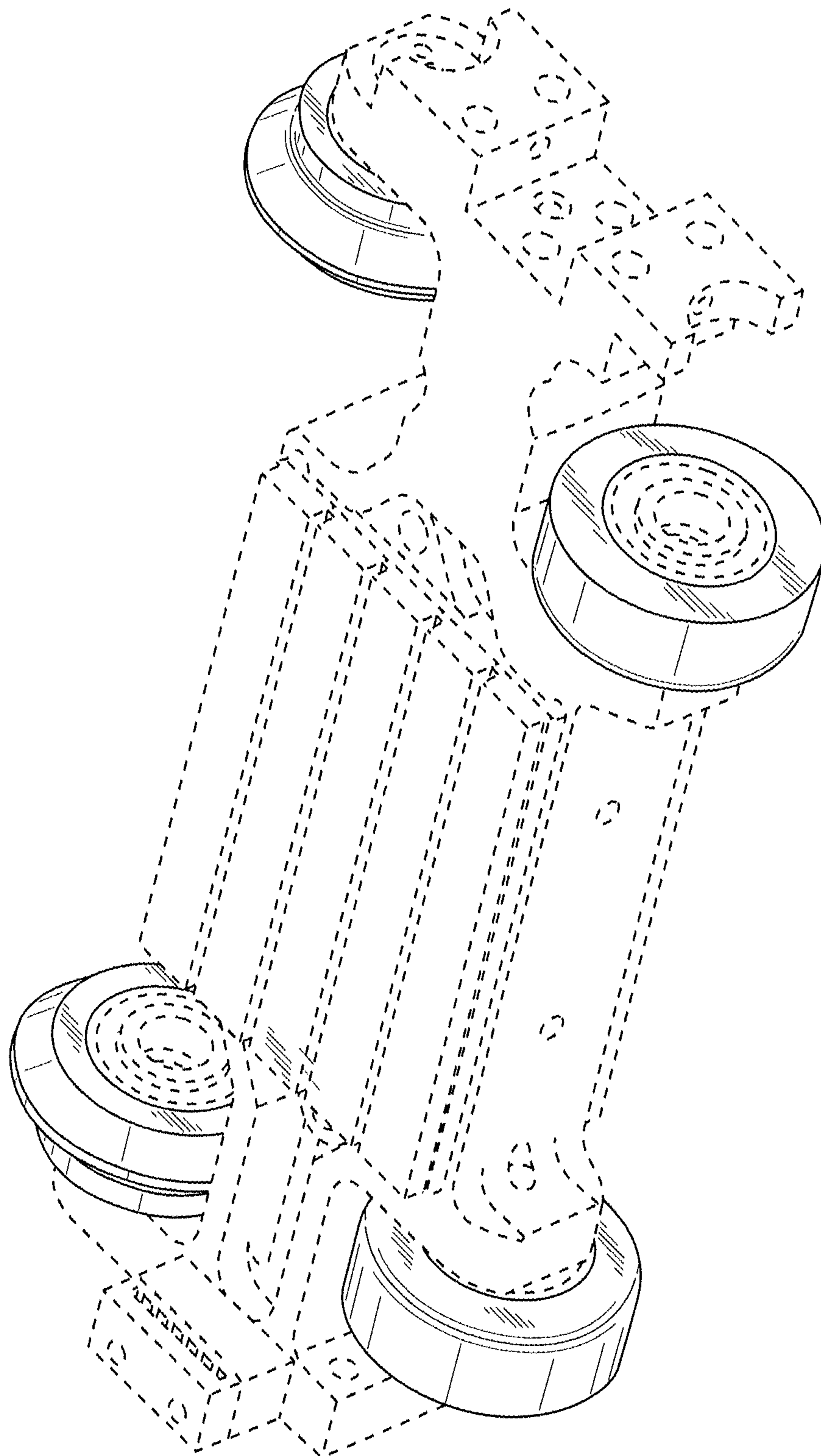


FIG. 17

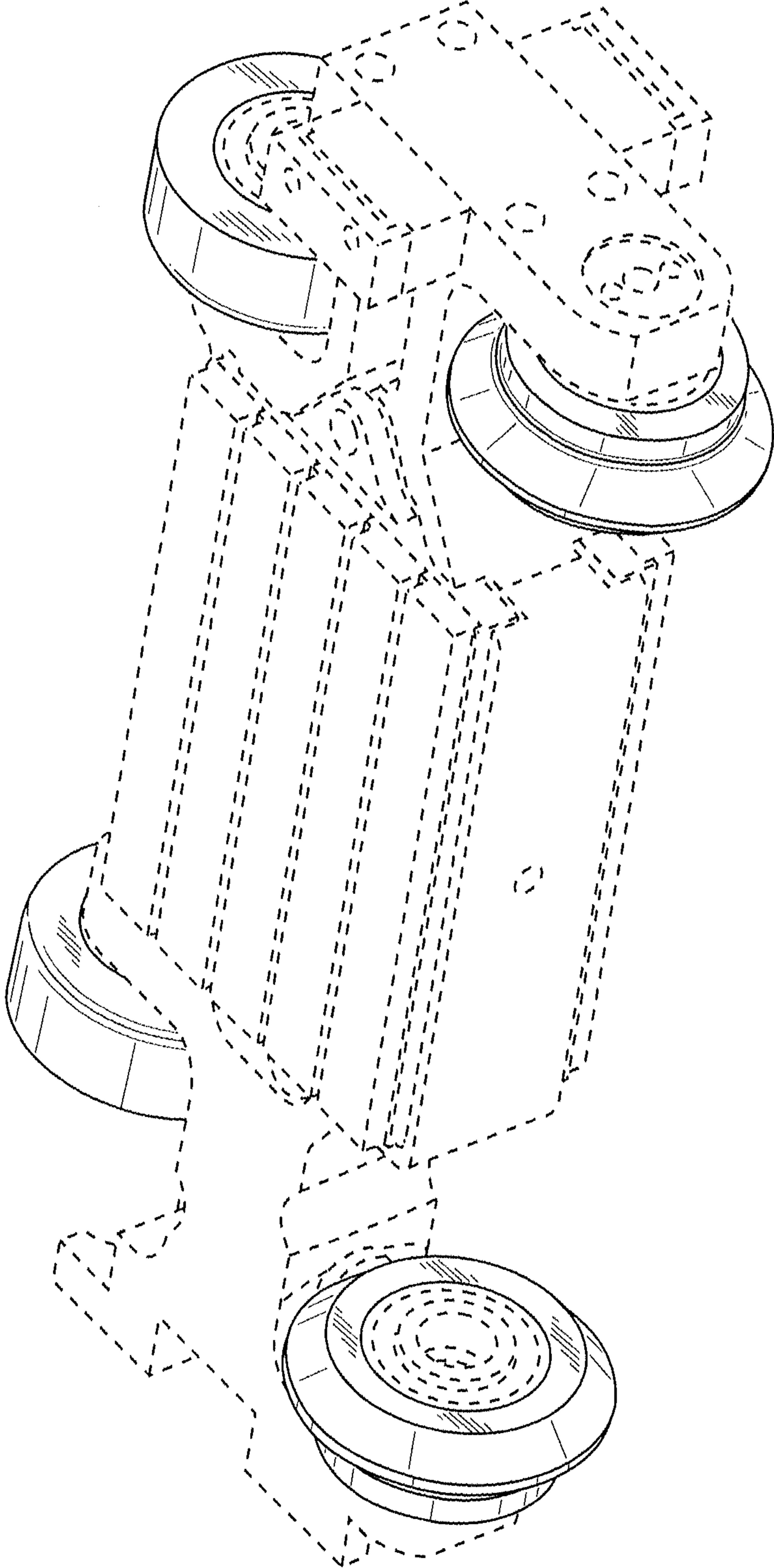


FIG. 18

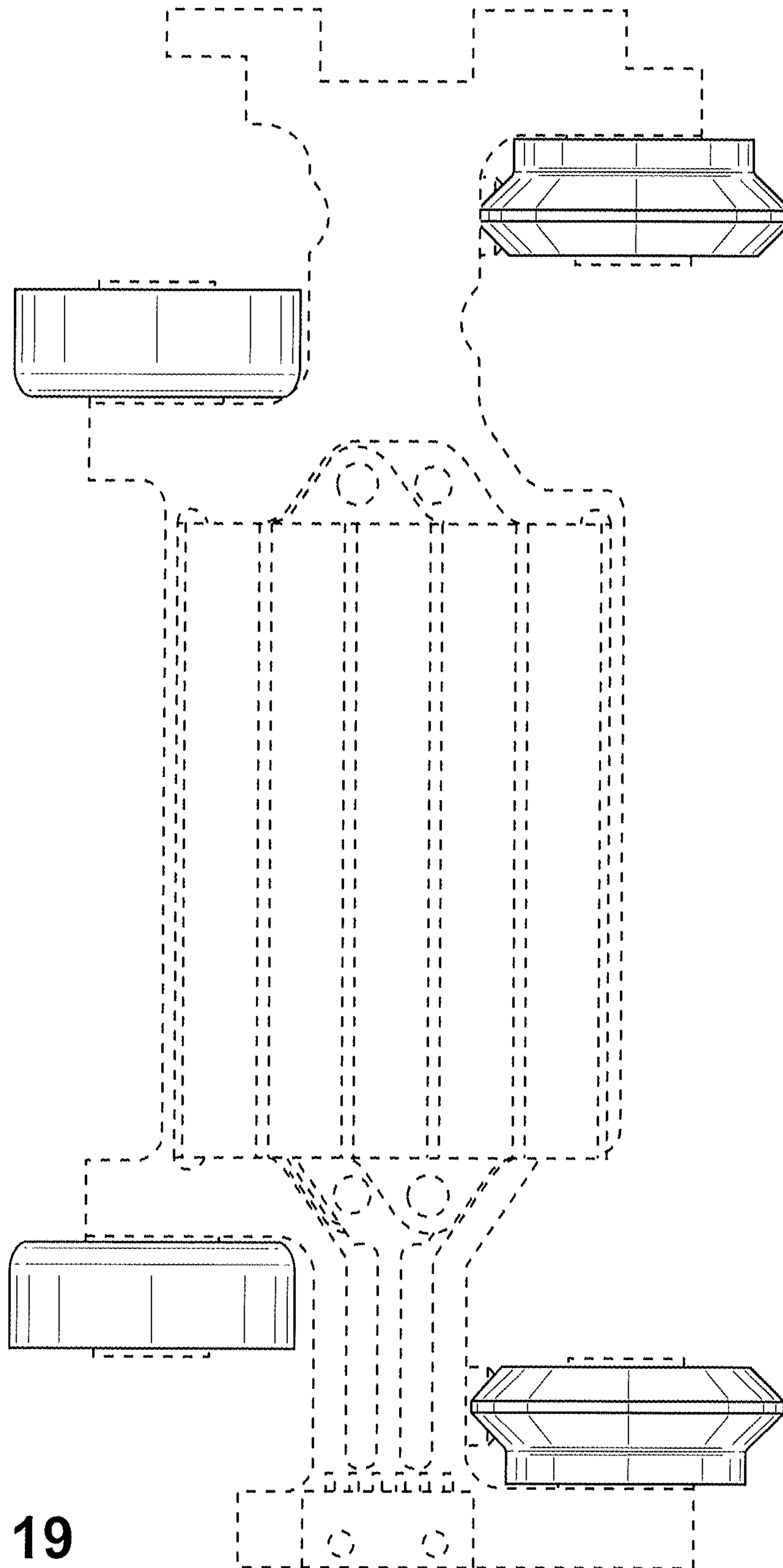


FIG. 19

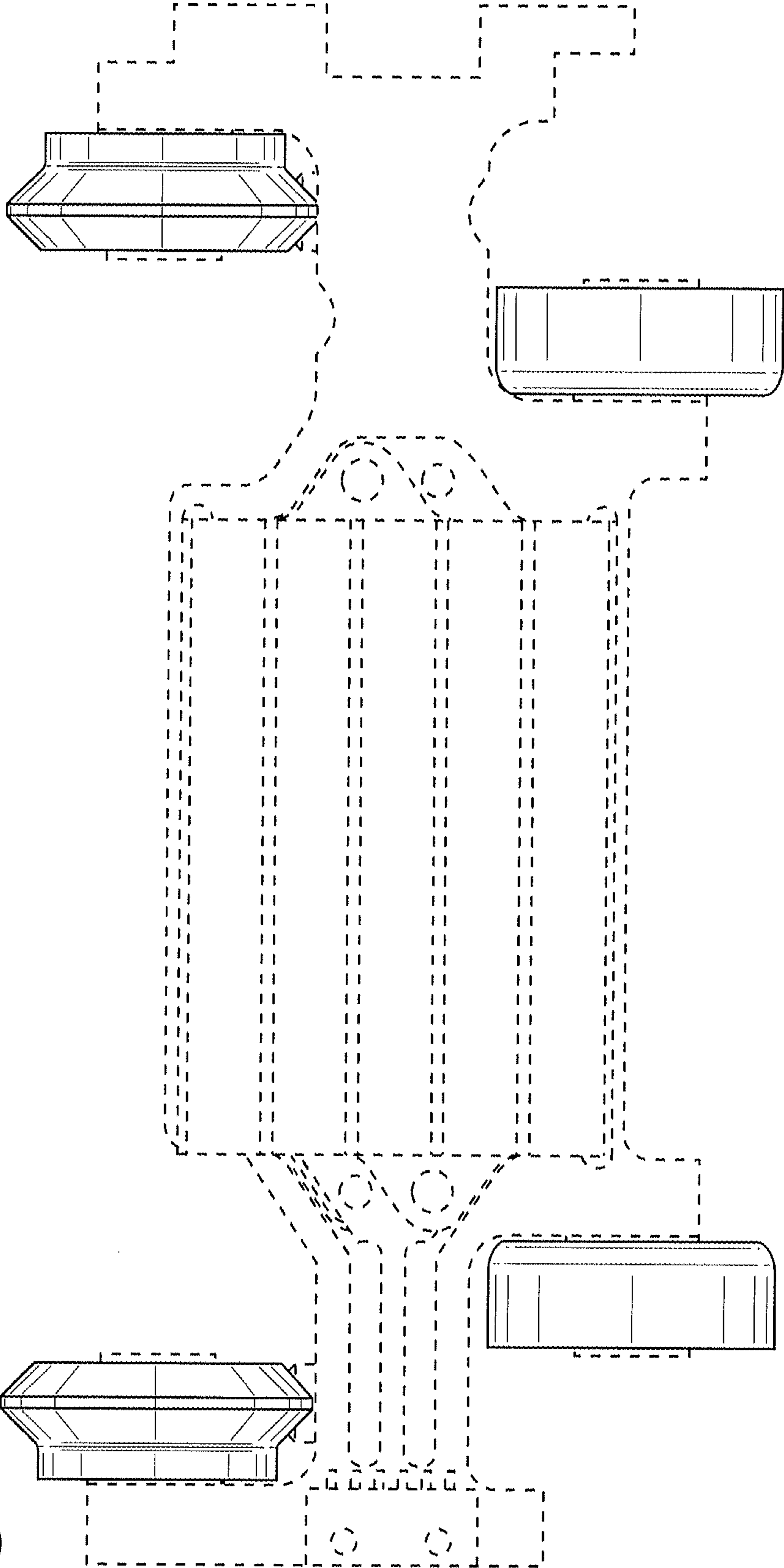
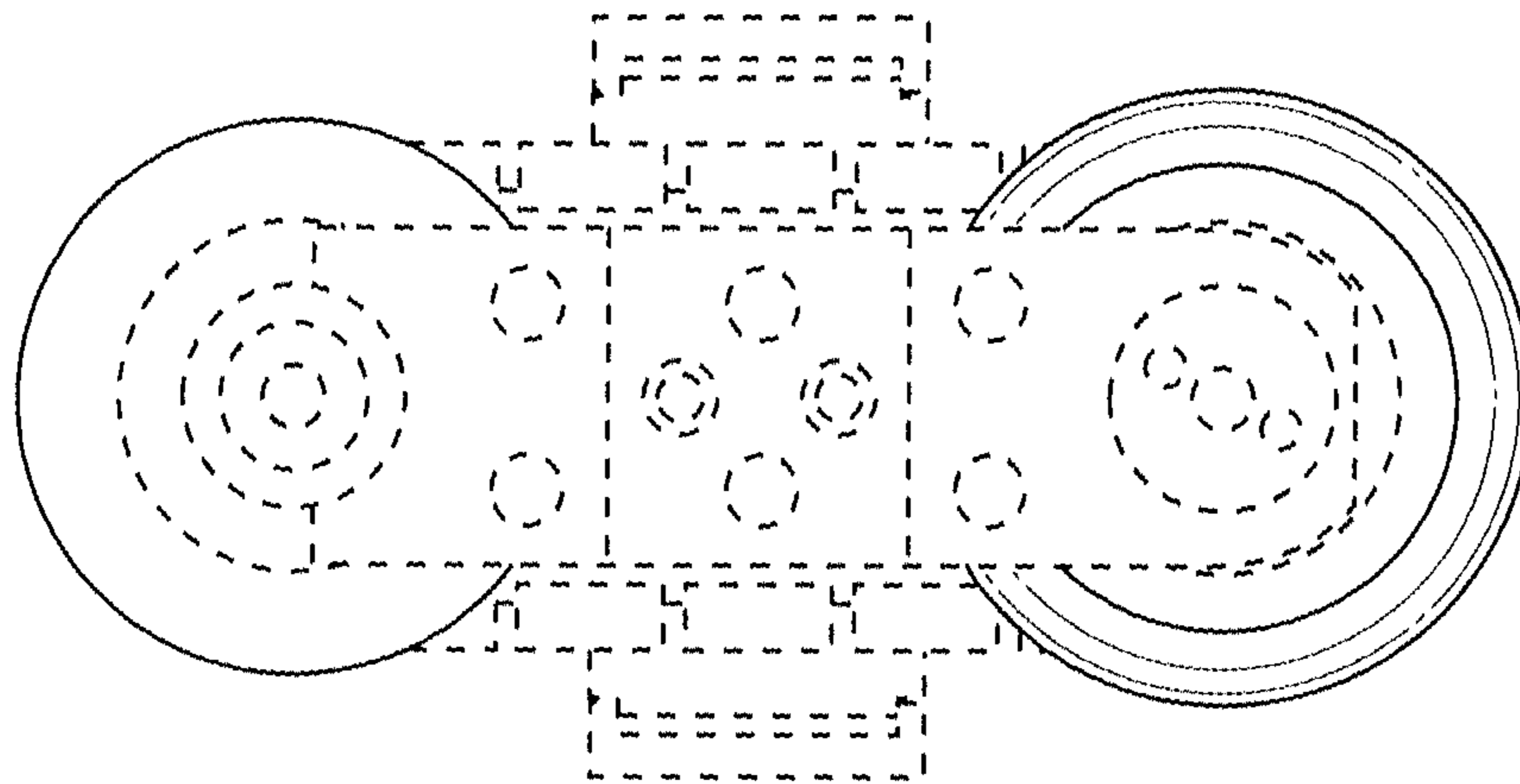
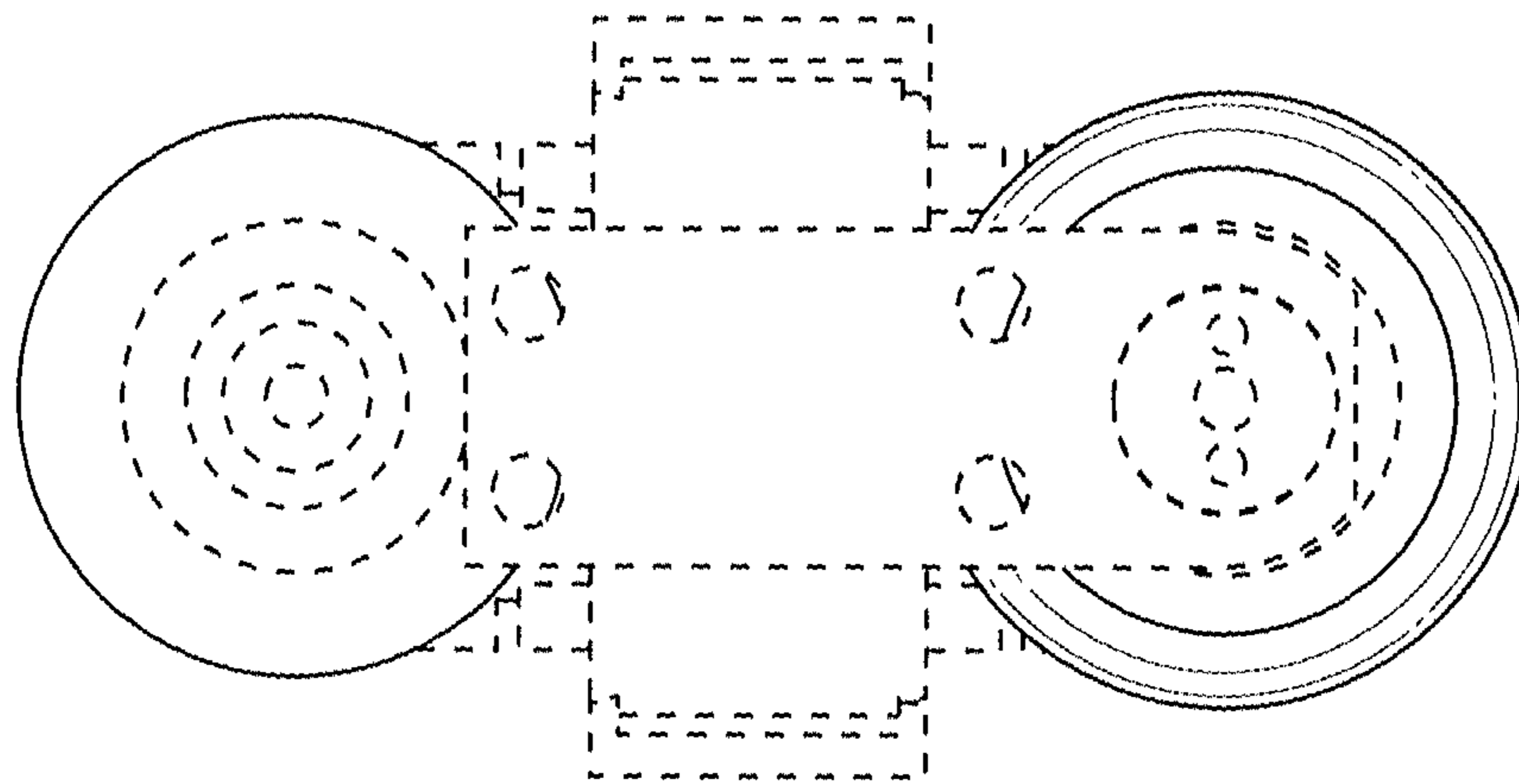


FIG. 20



**FIG. 21**



**FIG. 22**



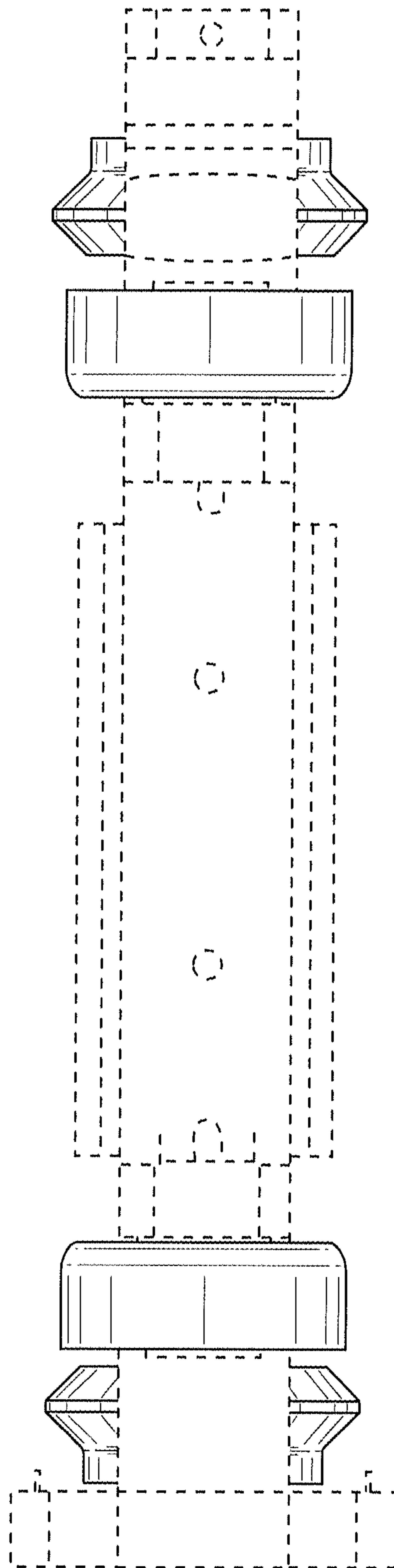


FIG. 23

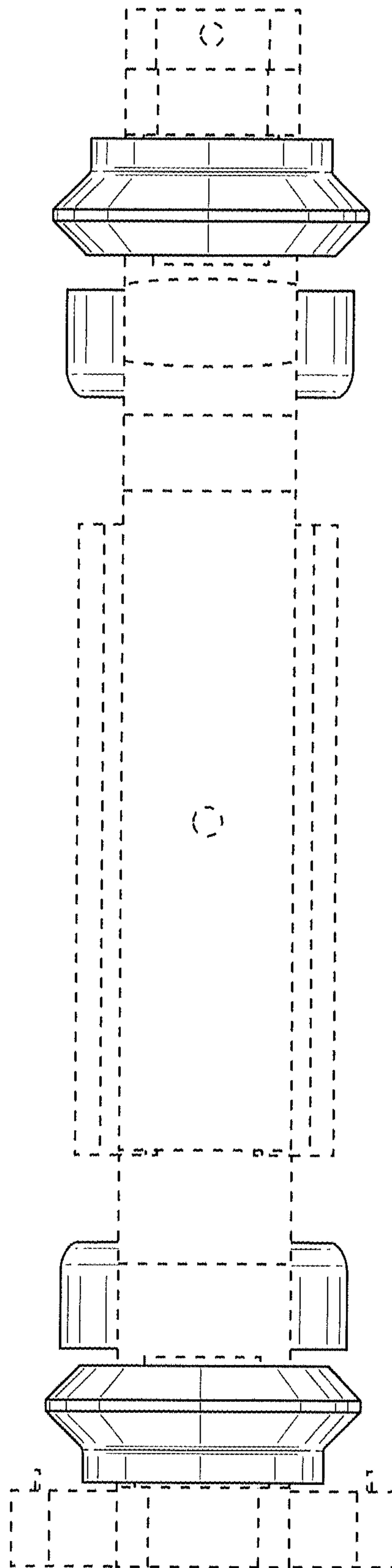


FIG. 24