



US00D877997S

(12) **United States Design Patent**  
**Hackner et al.**

(10) **Patent No.:** **US D877,997 S**  
(45) **Date of Patent:** **\*\* Mar. 10, 2020**

- (54) **CONTAINER**
- (71) Applicant: **Thomas Hackner**, Idstein (DE)
- (72) Inventors: **Thomas Hackner**, Idstein (DE);  
**Marcus Gottwald**, Ober-Ramstadt (DE); **Jens Schnur**, Oberzent (Olfen) (DE); **Dietmar Hackner**, Waldems (DE)
- (73) Assignee: **Thomas Hackner**, Idstein (DE)
- (\*\*) Term: **15 Years**
- (21) Appl. No.: **29/646,866**
- (22) Filed: **May 8, 2018**
- (51) **LOC (12) Cl.** ..... **07-05**
- (52) **U.S. Cl.**  
USPC ..... **D32/54**
- (58) **Field of Classification Search**  
USPC ..... D32/53, 53.1, 54; D3/304, 307, 315  
CPC ..... B44D 3/123; B44D 3/128; B44D 3/12;  
A47L 13/142; A47L 13/58; B65D 25/14  
See application file for complete search history.

- D713,207 S \* 9/2014 Hickox ..... A47G 19/2205  
D7/543
- D727,107 S \* 4/2015 Parodi, Jr. .... D7/396.2
- 9,119,490 B1 \* 9/2015 Parodi, Jr. .... A47G 19/2205
- D772,513 S \* 11/2016 Mitford ..... B44D 3/123  
D32/54
- D845,572 S \* 4/2019 Pollard ..... A47J 47/18  
D32/54
- D855,264 S \* 7/2019 Myerson ..... D30/199
- 2013/0277375 A1 \* 10/2013 Hickox ..... A47G 23/06  
220/575

**OTHER PUBLICATIONS**

Versalift, Tool Tray Curved TTR-02, online product page, retrieved Oct. 9, 2019 from <URL:http://store.versalifteast.com/Tool-Tray-Curved-p414.html> (Year: 2019).\*

\* cited by examiner

*Primary Examiner* — Sheryl Lane  
*Assistant Examiner* — Calvin E Vansant  
(74) *Attorney, Agent, or Firm* — Smartpat PLC

(57) **CLAIM**

I claim the ornamental design for a container, as shown and described.

**DESCRIPTION**

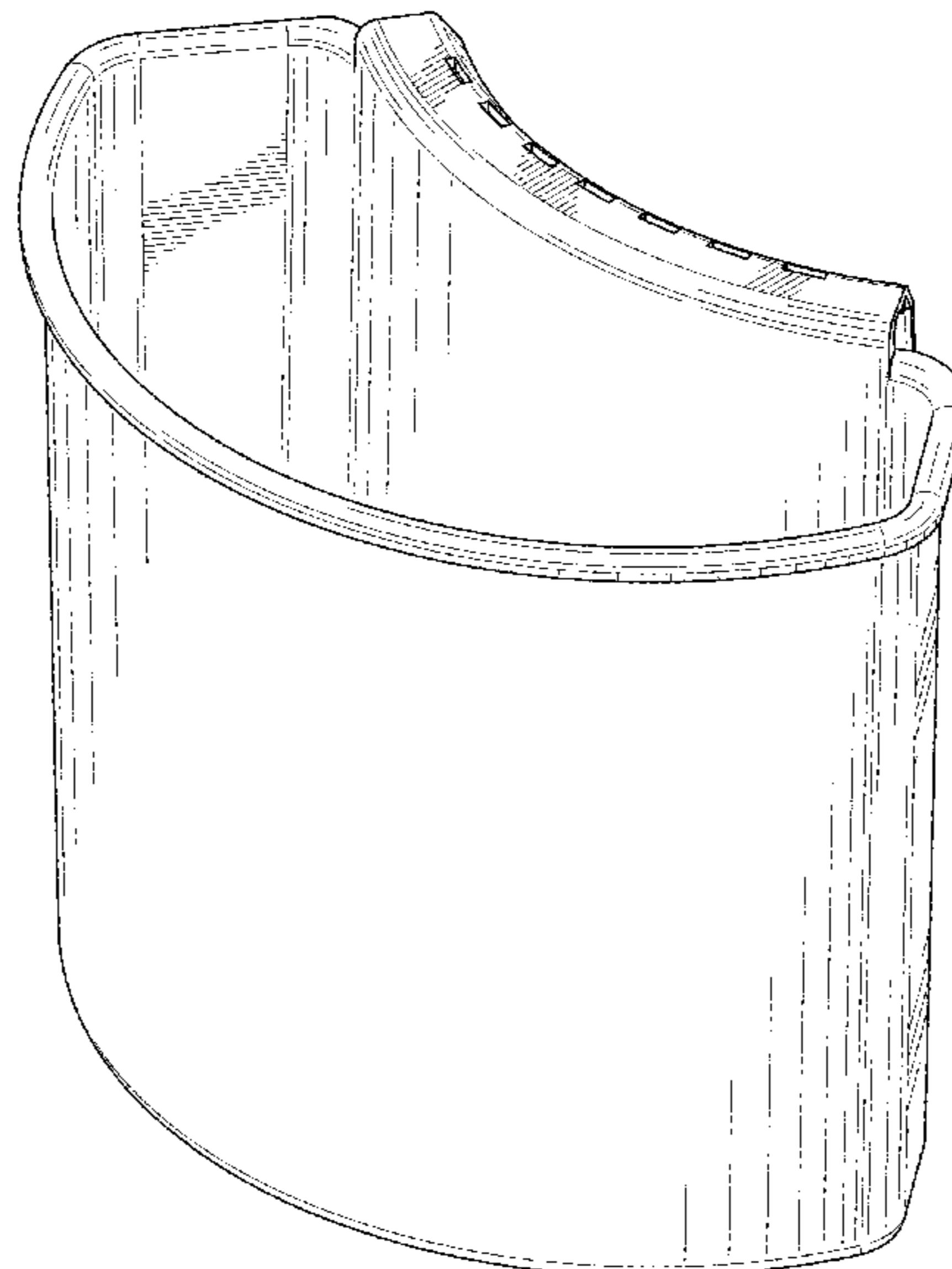
FIG. 1 is top, front, left side perspective view of a container showing my new design;  
FIG. 2 is a bottom, rear, right side perspective view thereof;  
FIG. 3 is a front view thereof;  
FIG. 4 is a left side view thereof;  
FIG. 5 is a rear view thereof;  
FIG. 6 is a right side view thereof;  
FIG. 7 is a top view thereof;  
FIG. 8 is a bottom view thereof; and,  
FIG. 9 is a cross sectional view thereof taken along line 9-9 in FIG. 3.

**1 Claim, 8 Drawing Sheets**

(56) **References Cited**

**U.S. PATENT DOCUMENTS**

- 2,314,835 A \* 3/1943 Johns ..... A47J 47/18  
220/23.4
- D139,569 S \* 11/1944 O'Brien ..... D32/53
- D341,686 S \* 11/1993 Panovic ..... D32/54
- 5,261,577 A \* 11/1993 Goldstein ..... B44D 3/12  
220/23.83
- 5,297,695 A \* 3/1994 Provence ..... B44D 3/123  
220/23.83
- D405,574 S \* 2/1999 Riky ..... D32/54
- D444,278 S \* 6/2001 Myers, Jr. .... D32/54
- D473,689 S \* 4/2003 Verhaar ..... B44D 3/12  
D32/54
- 7,044,424 B2 \* 5/2006 Robertson ..... A47F 3/0439  
206/561



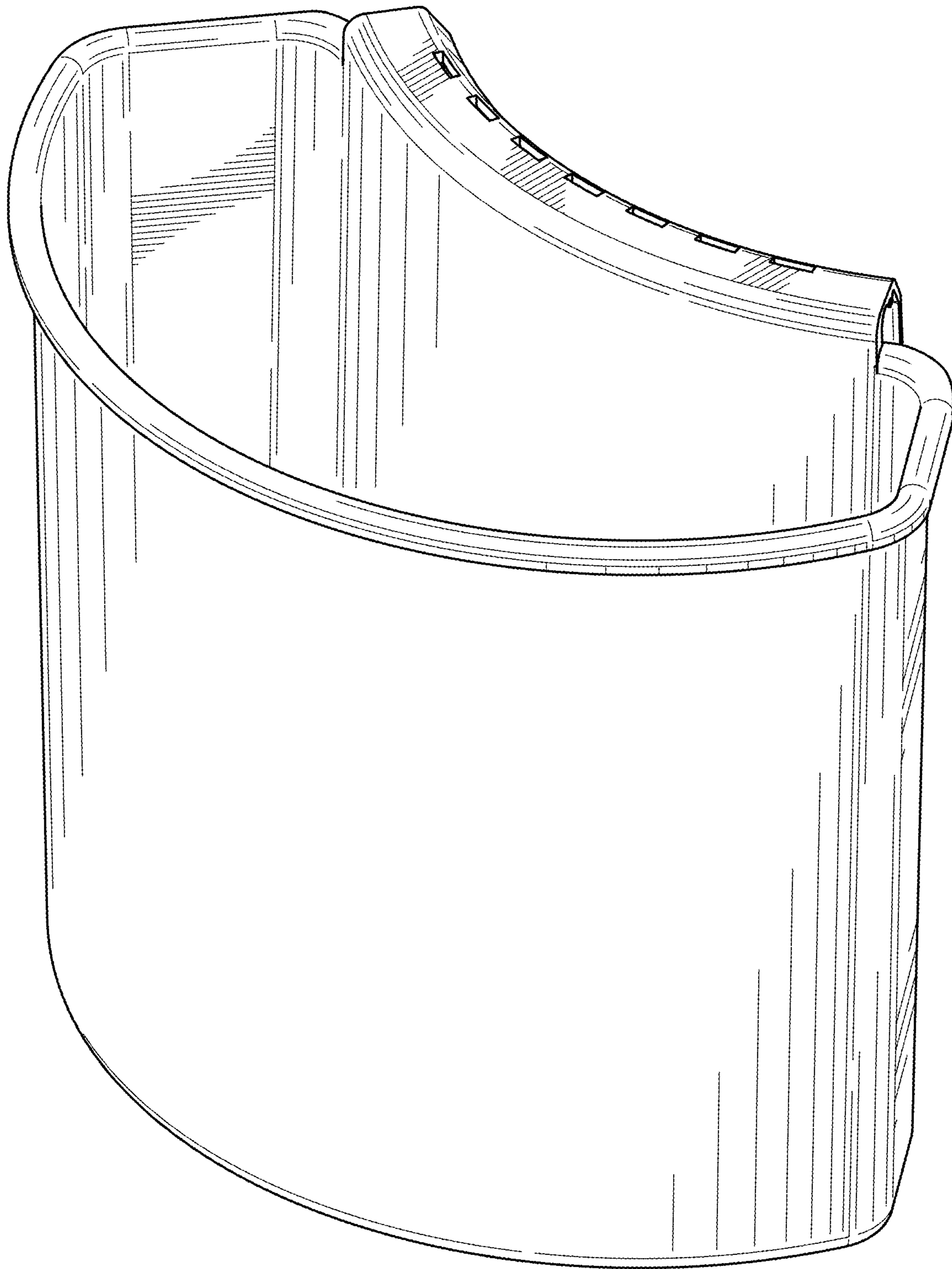


FIG. 1

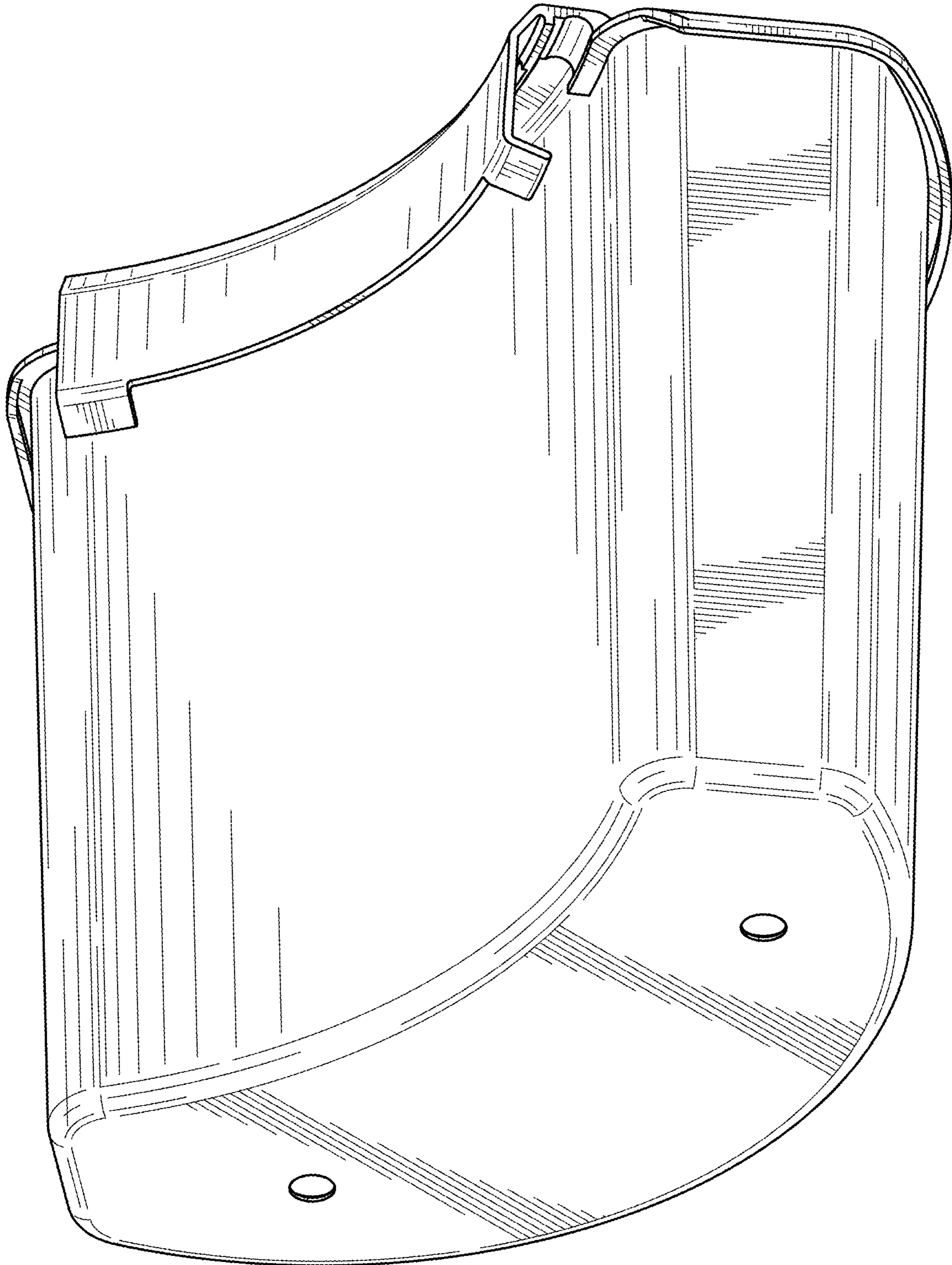
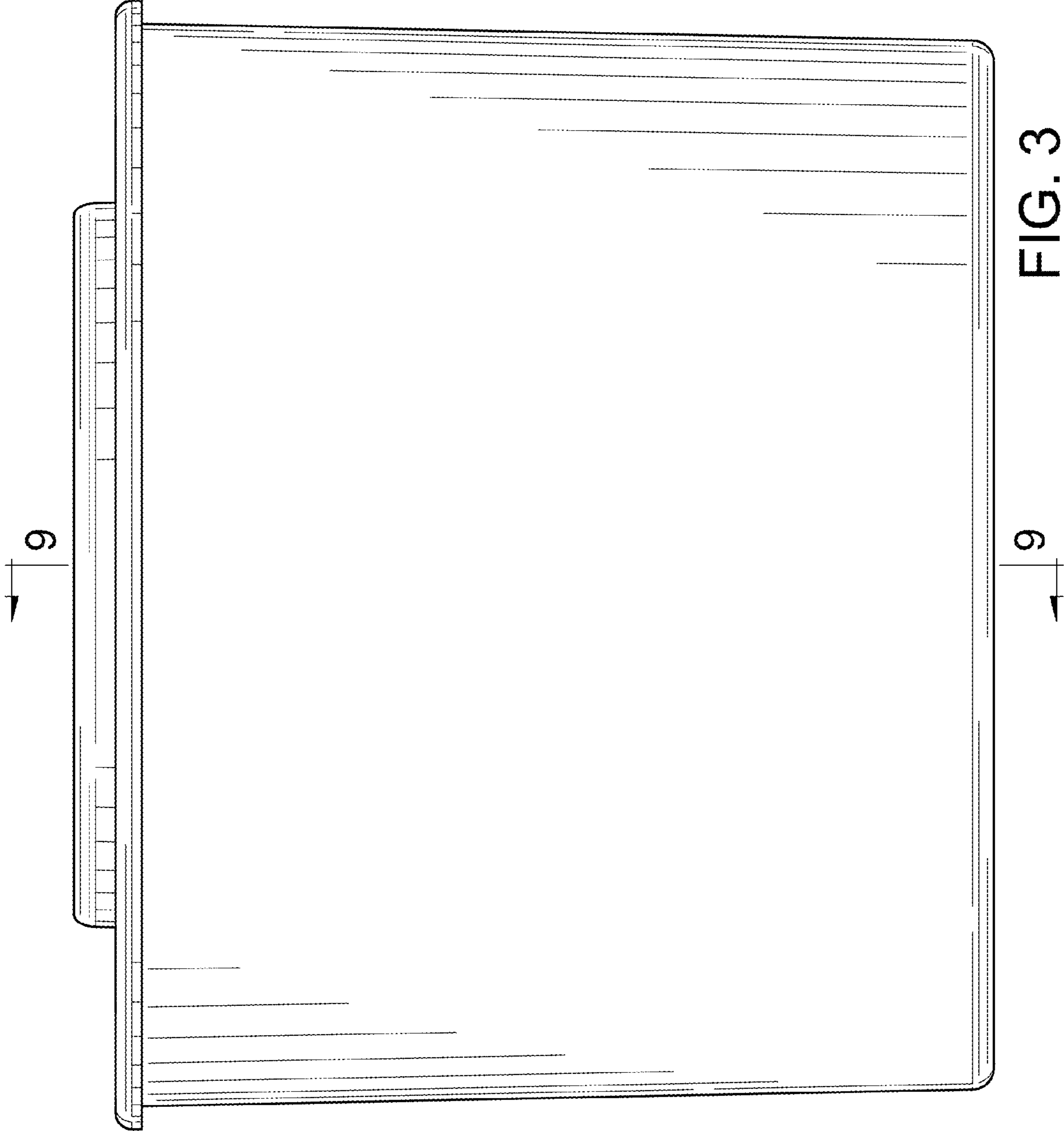


FIG. 2



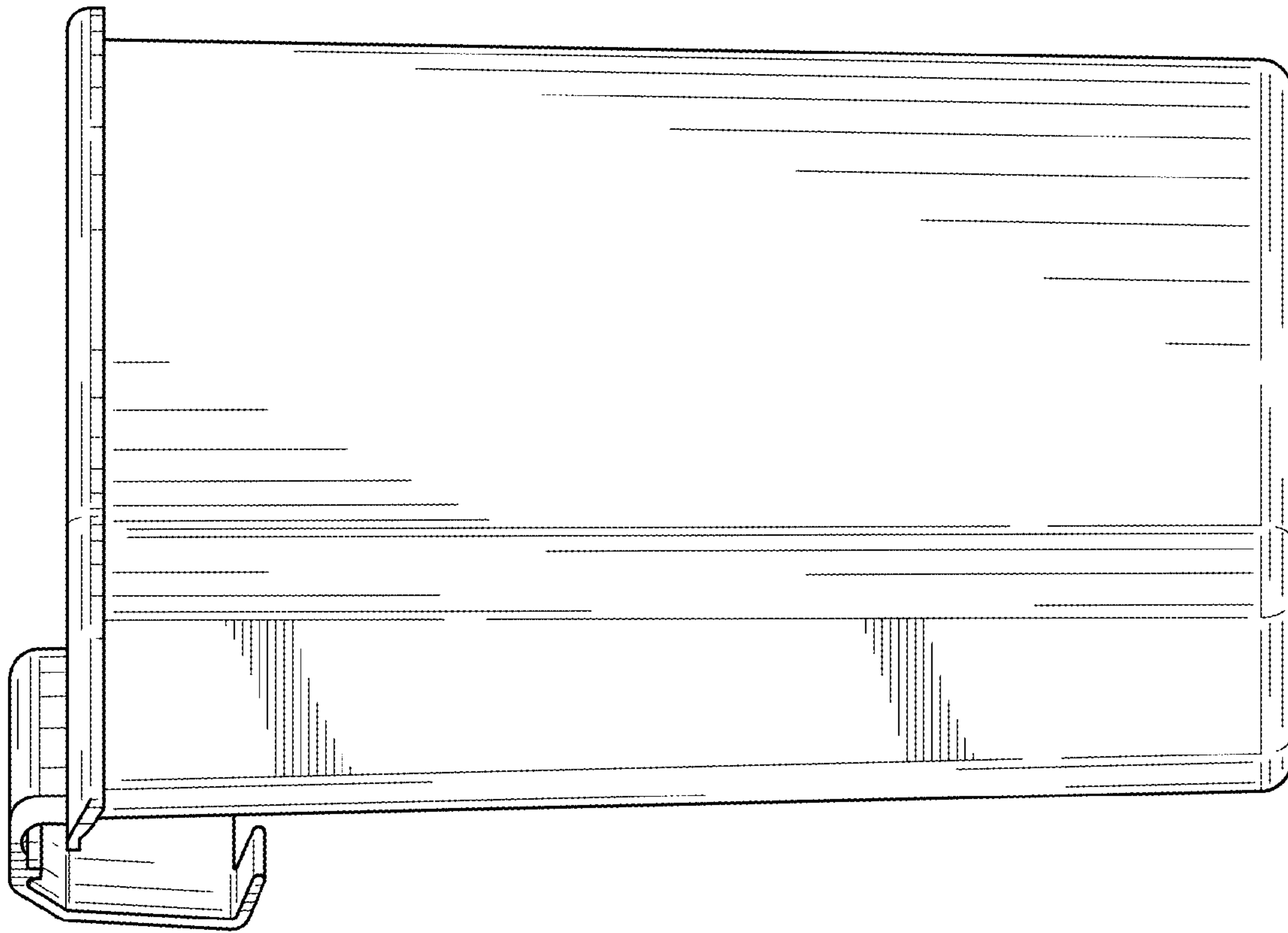


FIG. 6

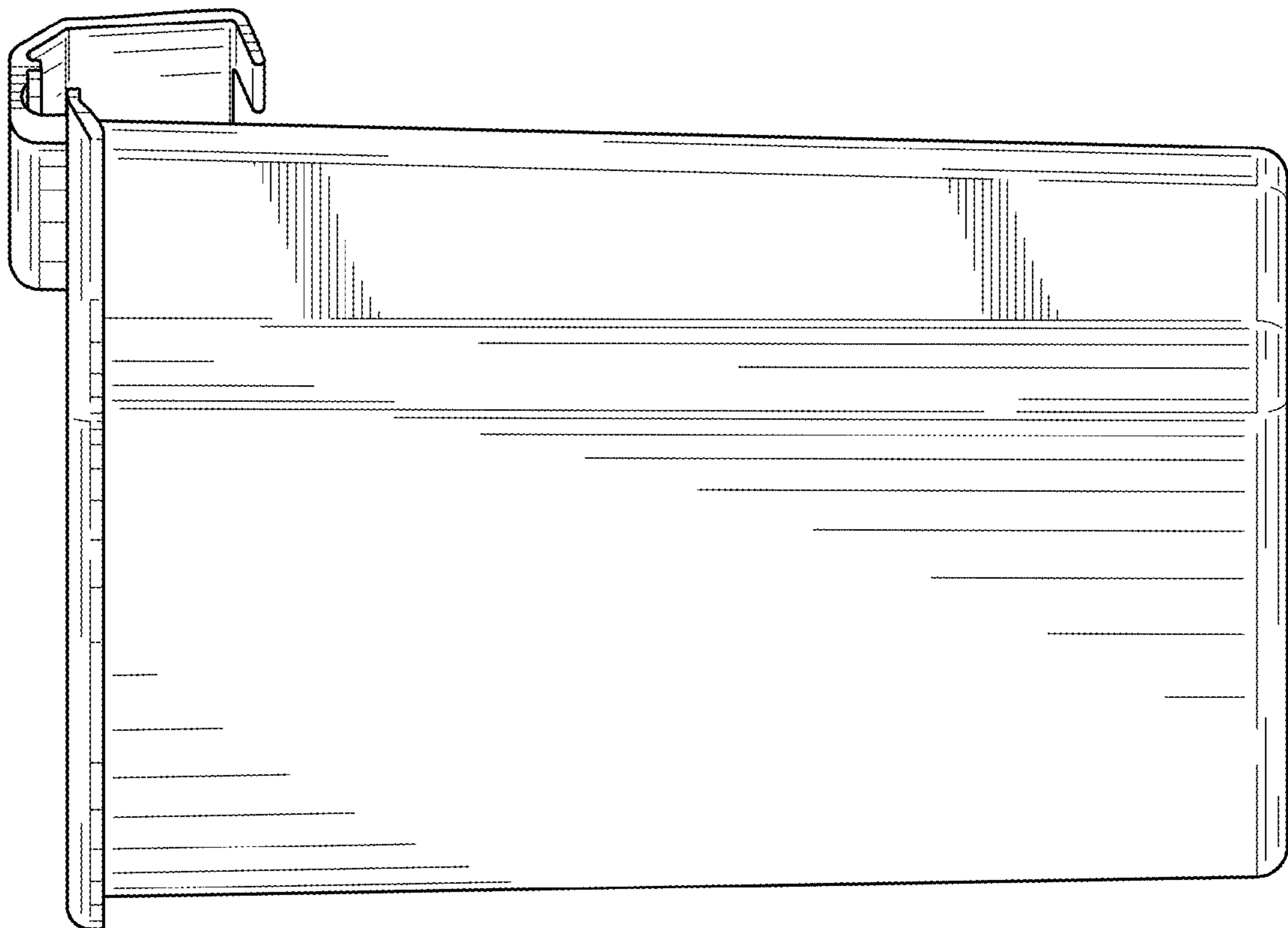


FIG. 4

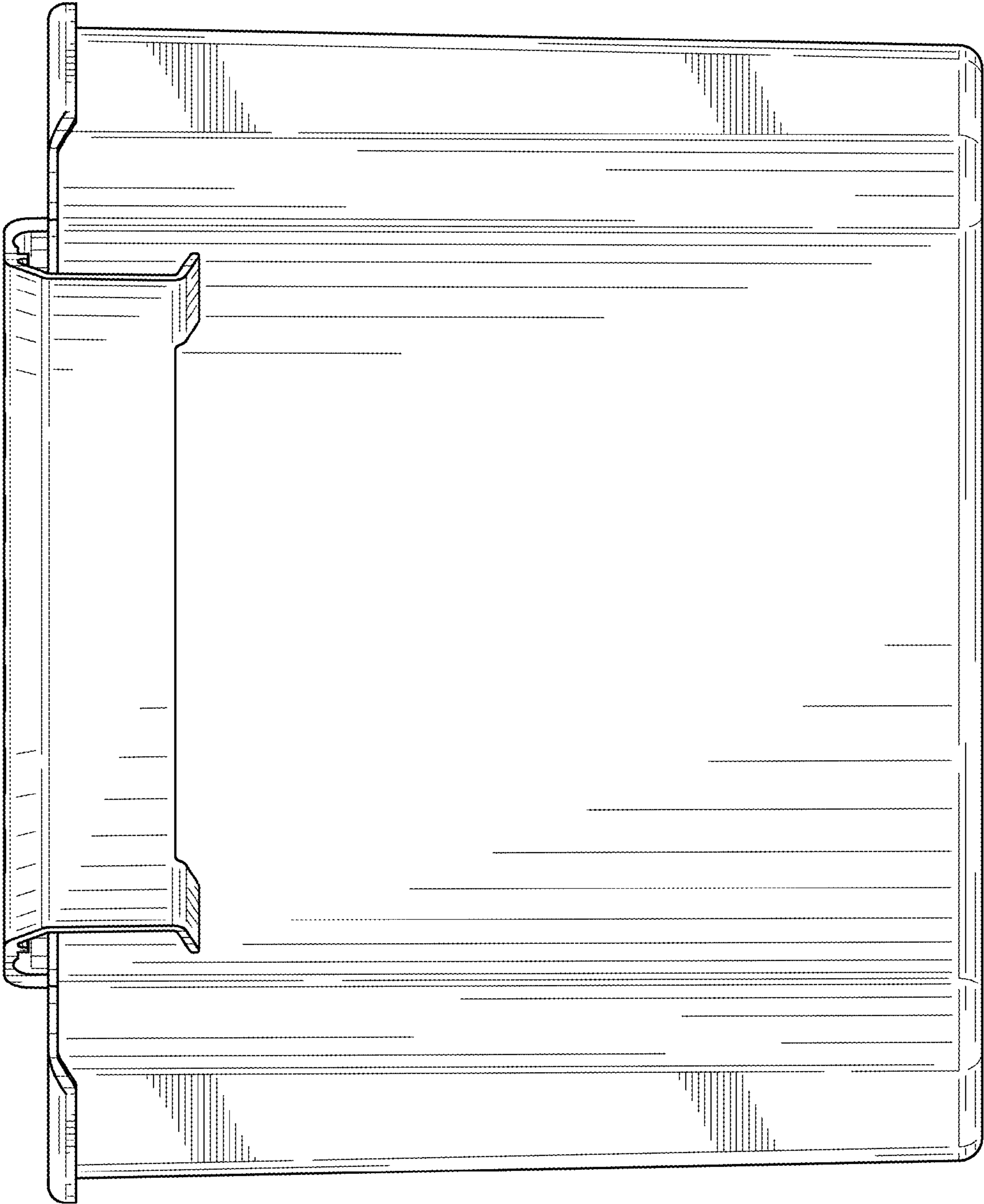


FIG. 5

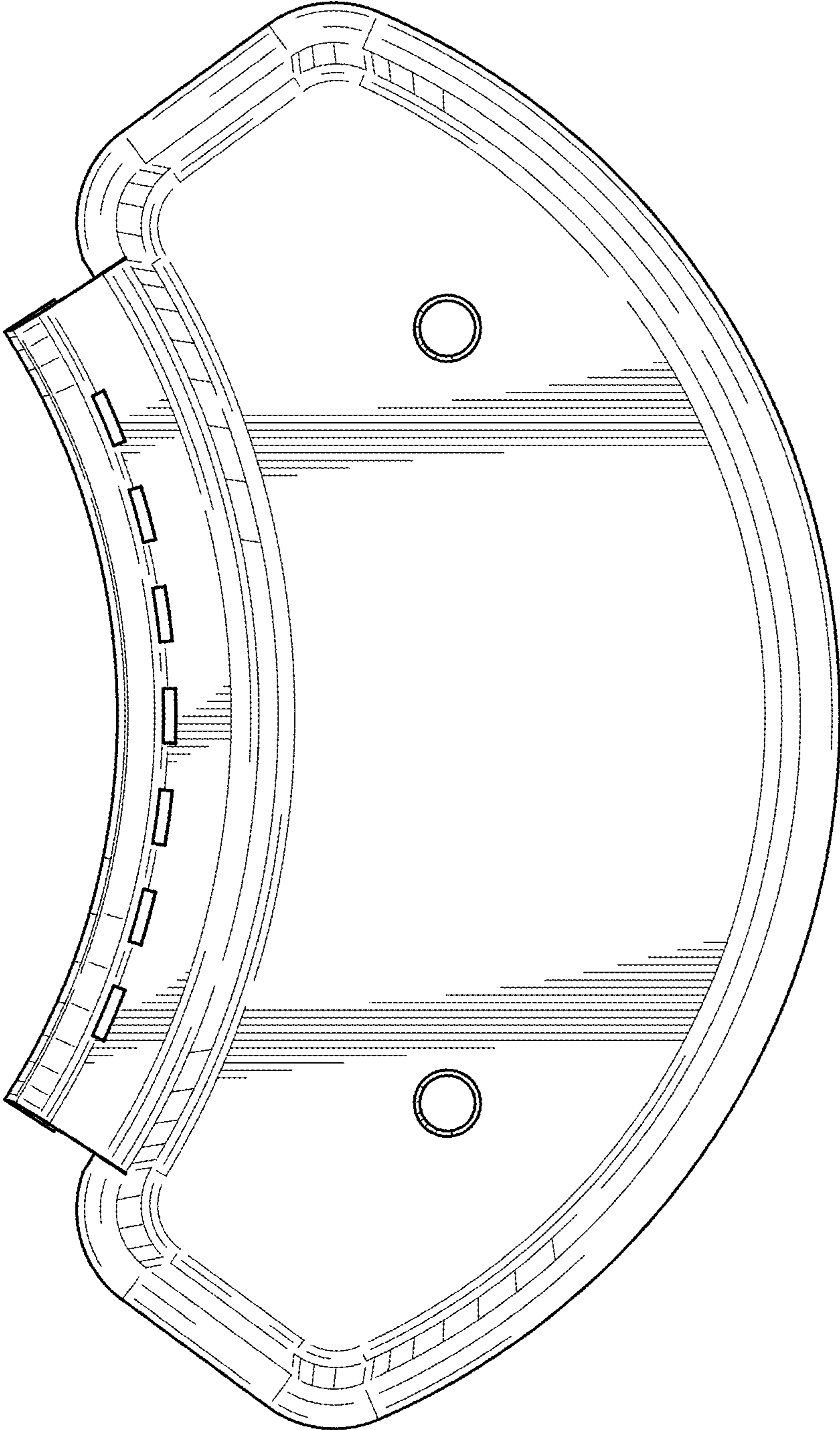


FIG. 7

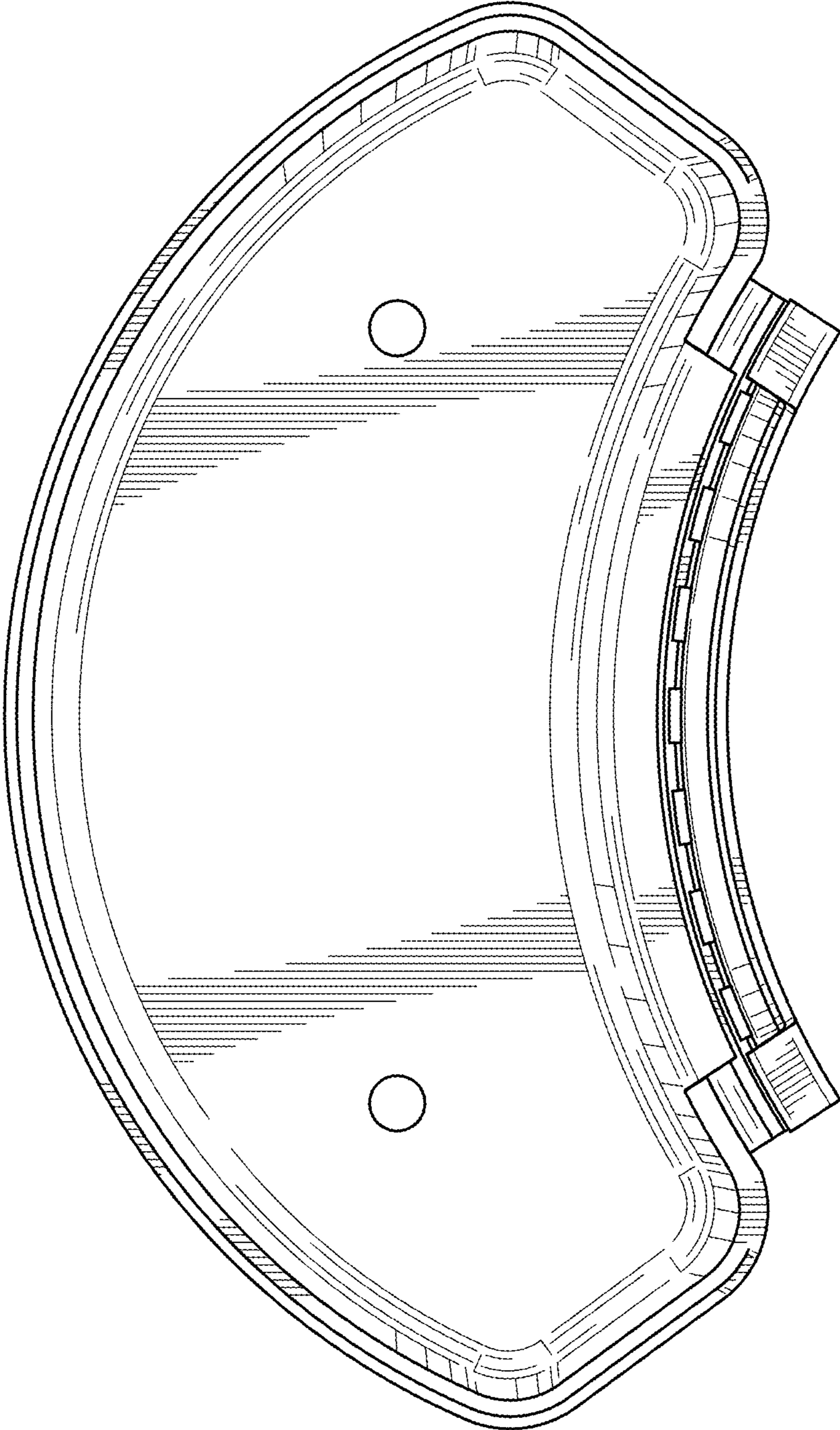


FIG. 8



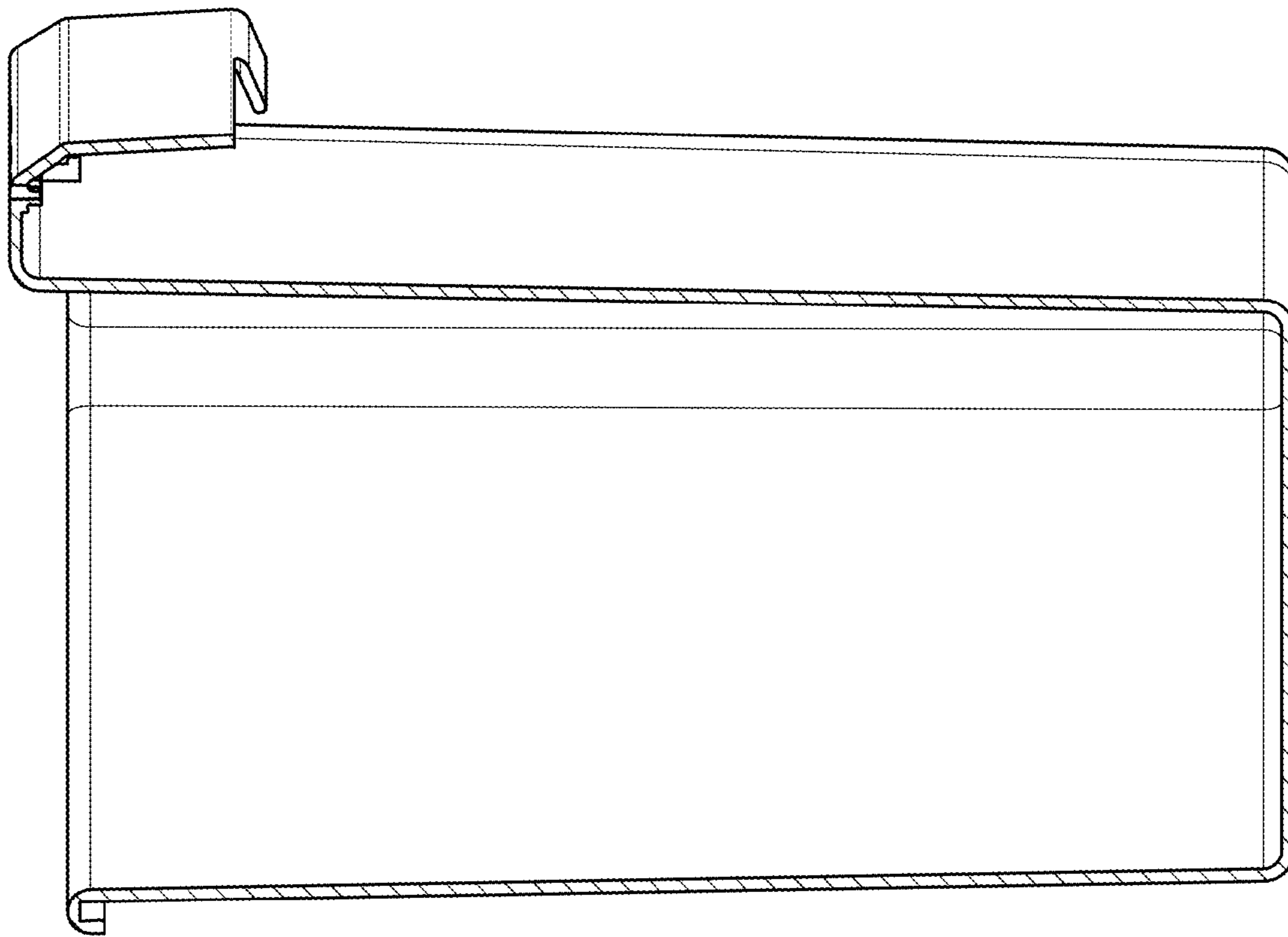


FIG. 9