



US00D877994S

(12) **United States Design Patent** (10) **Patent No.:** **US D877,994 S**
Kim et al. (45) **Date of Patent:** **** Mar. 10, 2020**

(54) **ROBOT FOR CLEANING**

(56) **References Cited**

(71) Applicant: **LG ELECTRONICS INC.**, Seoul (KR)
(72) Inventors: **Seongmin Kim**, Seoul (KR); **Jaeyoung Kim**, Seoul (KR); **Hyeonjeong An**, Seoul (KR); **Myungwhoon Lee**, Seoul (KR)
(73) Assignee: **LG ELECTRONICS INC.**, Seoul (KR)

U.S. PATENT DOCUMENTS

D453,402 S * 2/2002 Kato D32/1
D473,354 S * 4/2003 Kato D32/1
D524,495 S * 7/2006 Ljunggren D32/21
D548,411 S * 8/2007 Schroter D32/21
D551,815 S * 9/2007 Schroeter D32/21
D555,305 S * 11/2007 Chun D32/21
D555,307 S * 11/2007 Chun D32/31
D659,311 S * 5/2012 Geringer D32/21
D660,530 S * 5/2012 Geringer D32/21
D670,877 S * 11/2012 Geringer D32/21
8,390,251 B2 * 3/2013 Cohen A47L 9/2857
320/109
8,598,829 B2 * 12/2013 Landry A47L 9/2805
318/587
D704,400 S * 5/2014 Shin D32/21

(**) Term: **15 Years**
(21) Appl. No.: **35/506,282**
(22) Filed: **Jul. 4, 2018**

(80) **Hague Agreement Data**

Int. Filing Date: **Jul. 4, 2018**
Int. Reg. No.: **DM/103264**
Int. Reg. Date: **Jul. 4, 2018**
Int. Reg. Pub. Date: **Jan. 4, 2019**

Primary Examiner — Richard E Chilcot

(74) *Attorney, Agent, or Firm* — Birch, Stewart, Kolasch & Birch, LLP

(57) **CLAIM**

The ornamental design for a robot for cleaning, as shown and described.

(30) **Foreign Application Priority Data**

Jan. 12, 2018 (KR) 30-2018-0002134

(51) **LOC (12) Cl.** **15-05**

(52) **U.S. Cl.**

USPC **D32/21**; D15/199

CPC **A47L 5/30** (2013.01)

(58) **Field of Classification Search**

USPC D32/19–33; D4/104, 127, 128, 133, 136; D15/199

CPC A47J 37/0713; A47L 9/2842;

A47L 2201/00; A47L 5/30; A47L 5/28;

A47L 5/362; A47L 9/04; A46B 13/008;

A46B 13/005; A61C 17/26; G06N 3/008;

B25J 9/1697; G01S 13/931; B62D

58/032; B62D 57/032; E01H 1/053;

E01H 1/02

See application file for complete search history.

DESCRIPTION

1. Robot for cleaning

1.1 : Perspective

1.2 : Front

1.3 : Back

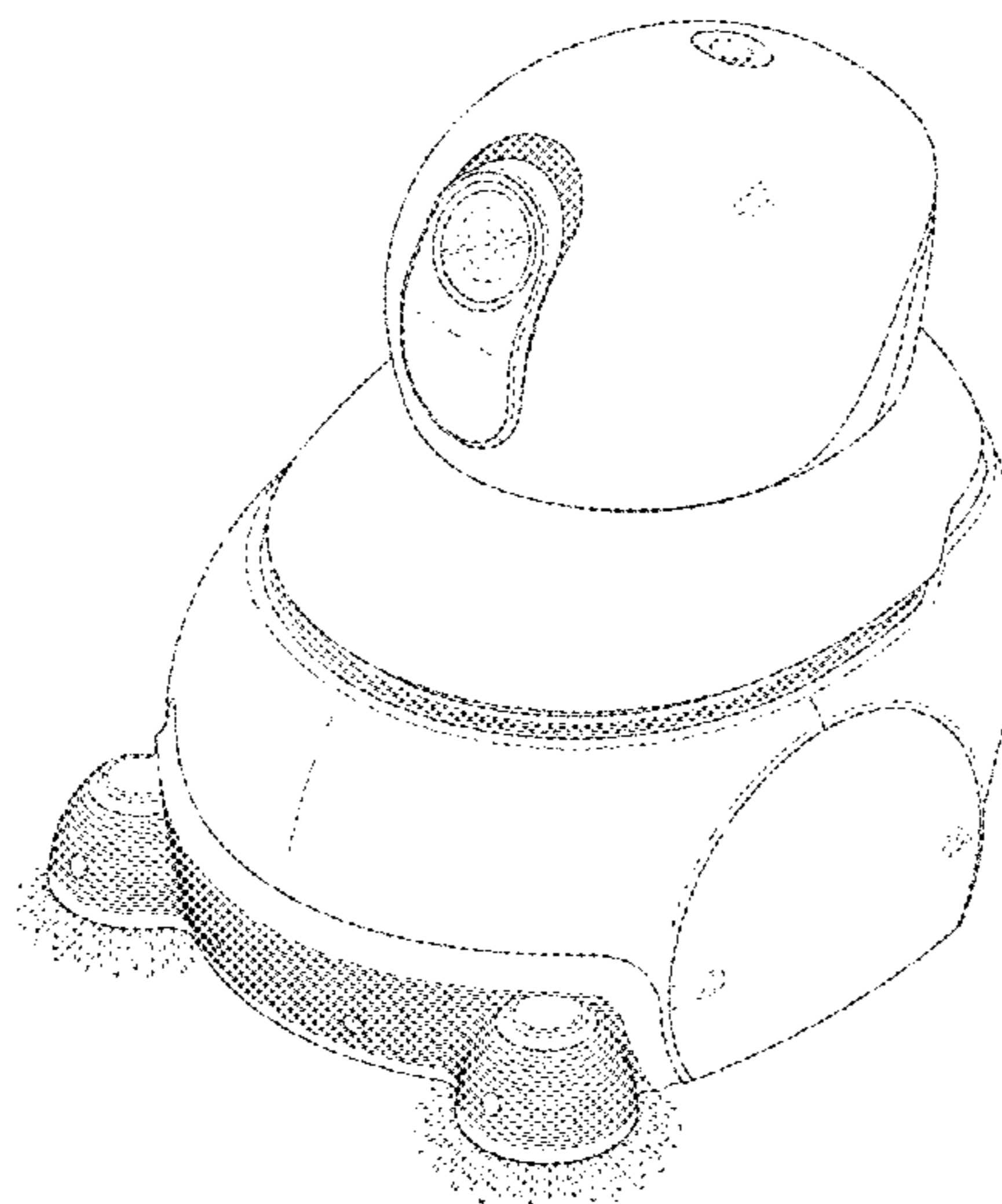
1.4 : Left

1.5 : Top

1.6 : Bottom

The broken lines depict portions of the robot for cleaning that form no part of the claimed design; reproduction 1.1 is a front perspective view of the robot for cleaning; reproduction 1.2 is a front view thereof; reproduction 1.3 is a back view thereof; reproduction 1.4 is a left view thereof where the right view is a mirror image; reproduction 1.5 is a top view thereof; reproduction 1.6 is a bottom view thereof.

1 Claim, 6 Drawing Sheets



(56)

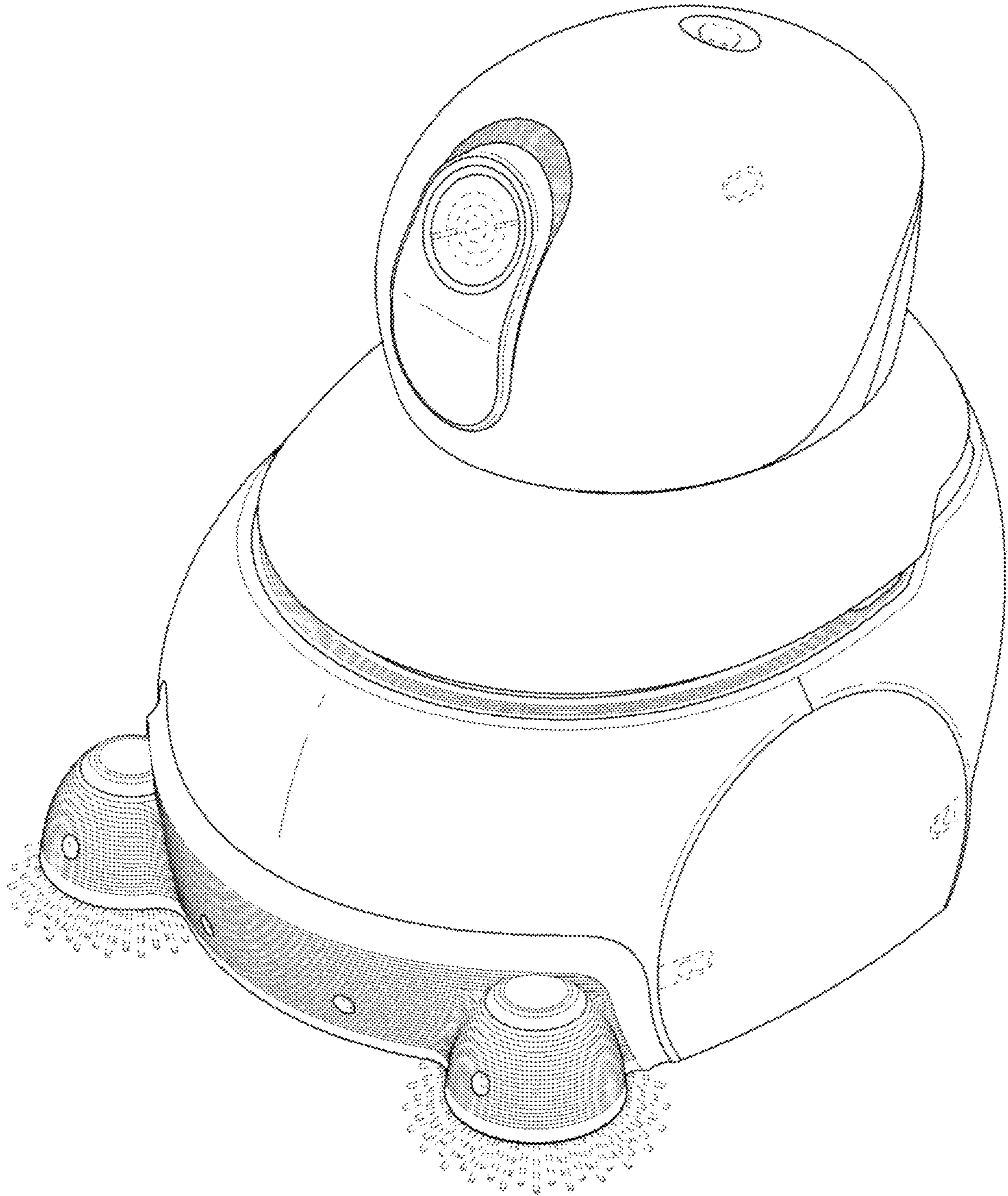
References Cited

U.S. PATENT DOCUMENTS

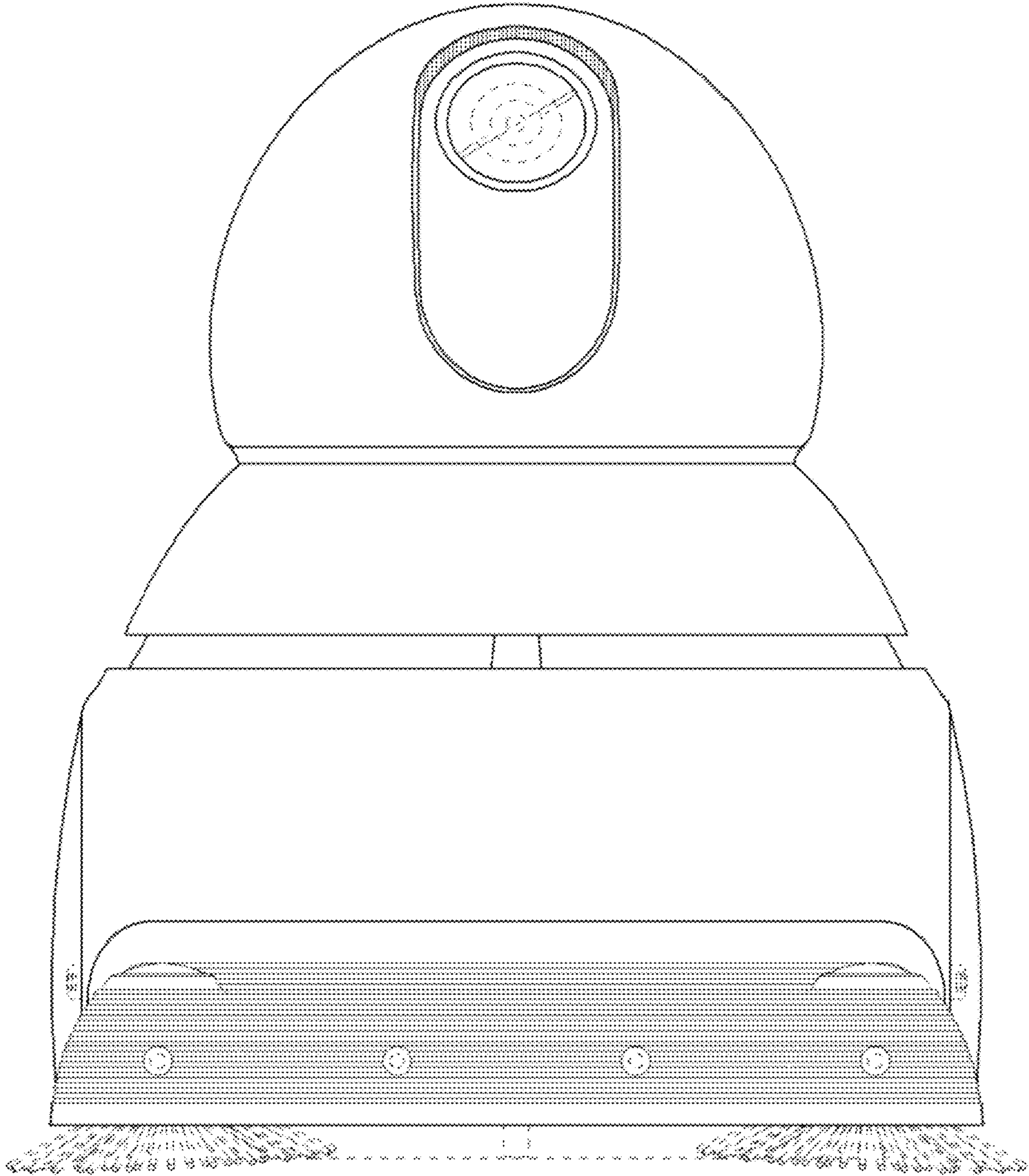
D720,510	S	*	12/2014	Shin	D32/21
D720,511	S	*	12/2014	Shin	D32/21
D737,008	S	*	8/2015	Cheon	D32/31
D744,181	S	*	11/2015	Cheon	D32/31
D744,183	S	*	11/2015	Cheon	D32/31
D744,709	S	*	12/2015	Cheon	D32/31
D745,233	S	*	12/2015	Choi	D32/31
D745,757	S	*	12/2015	Choi	D32/21
D746,005	S	*	12/2015	Cheon	D32/21
D751,260	S	*	3/2016	Kim	D32/21
D751,777	S	*	3/2016	Cheon	D32/21
D752,300	S	*	3/2016	Cheon	D32/31
D766,524	S	*	9/2016	Ochi	D32/21
D771,885	S	*	11/2016	Caruso	D32/21
D773,758	S	*	12/2016	Caruso	D32/21
D778,514	S	*	2/2017	Park	D32/21
D840,618	S	*	2/2019	Kim	D32/21
D840,619	S	*	2/2019	Kim	D32/21
D840,620	S	*	2/2019	Kim	D32/21
D861,266	S	*	9/2019	D'Souza	D32/21
2006/0236492	A1	*	10/2006	Sudo	A47L 11/24 15/319
2019/0155299	A1	*	5/2019	Yi	B25J 19/021
2019/0171217	A1	*	6/2019	Lee	G05D 1/0088

* cited by examiner

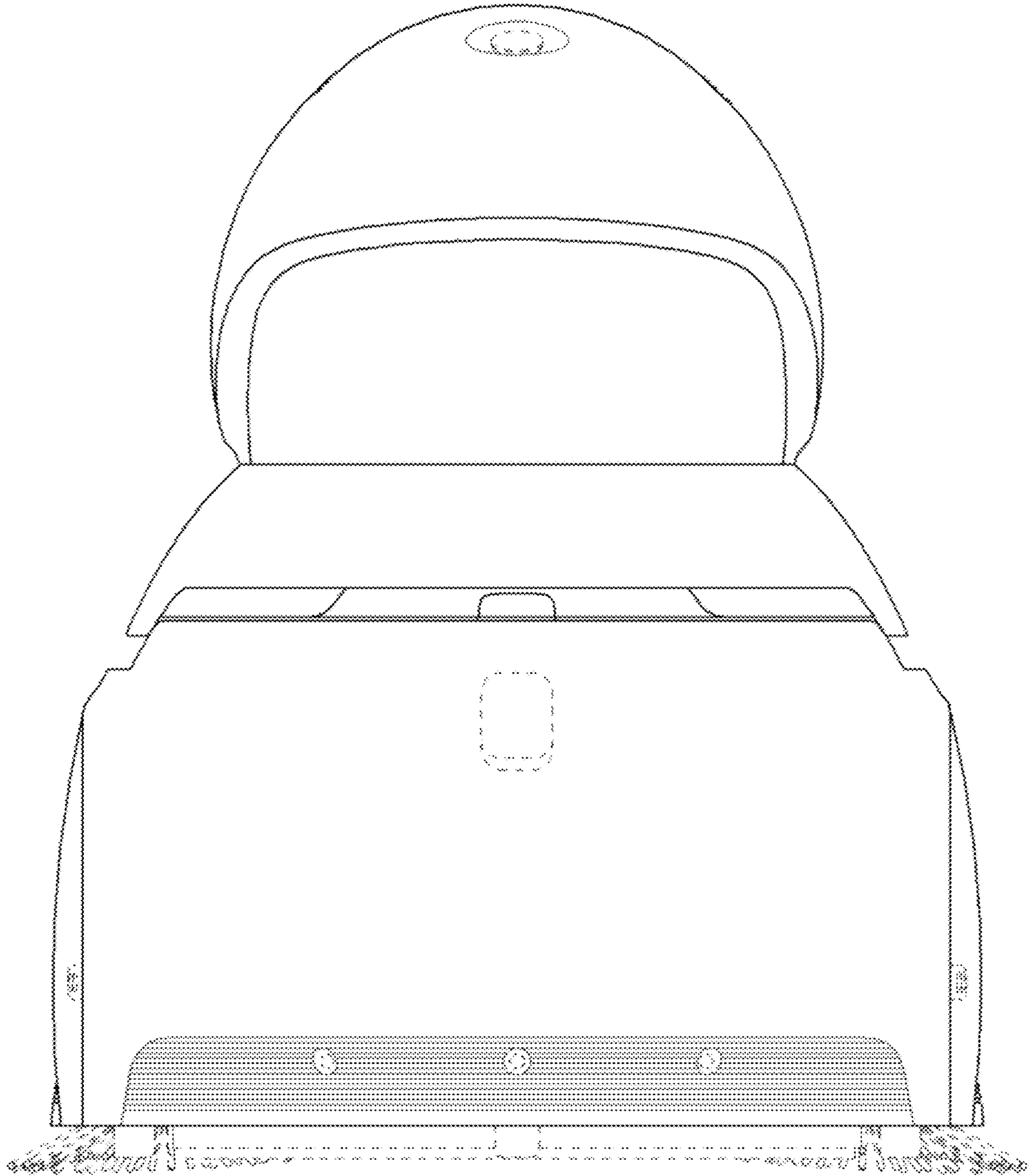
1.1



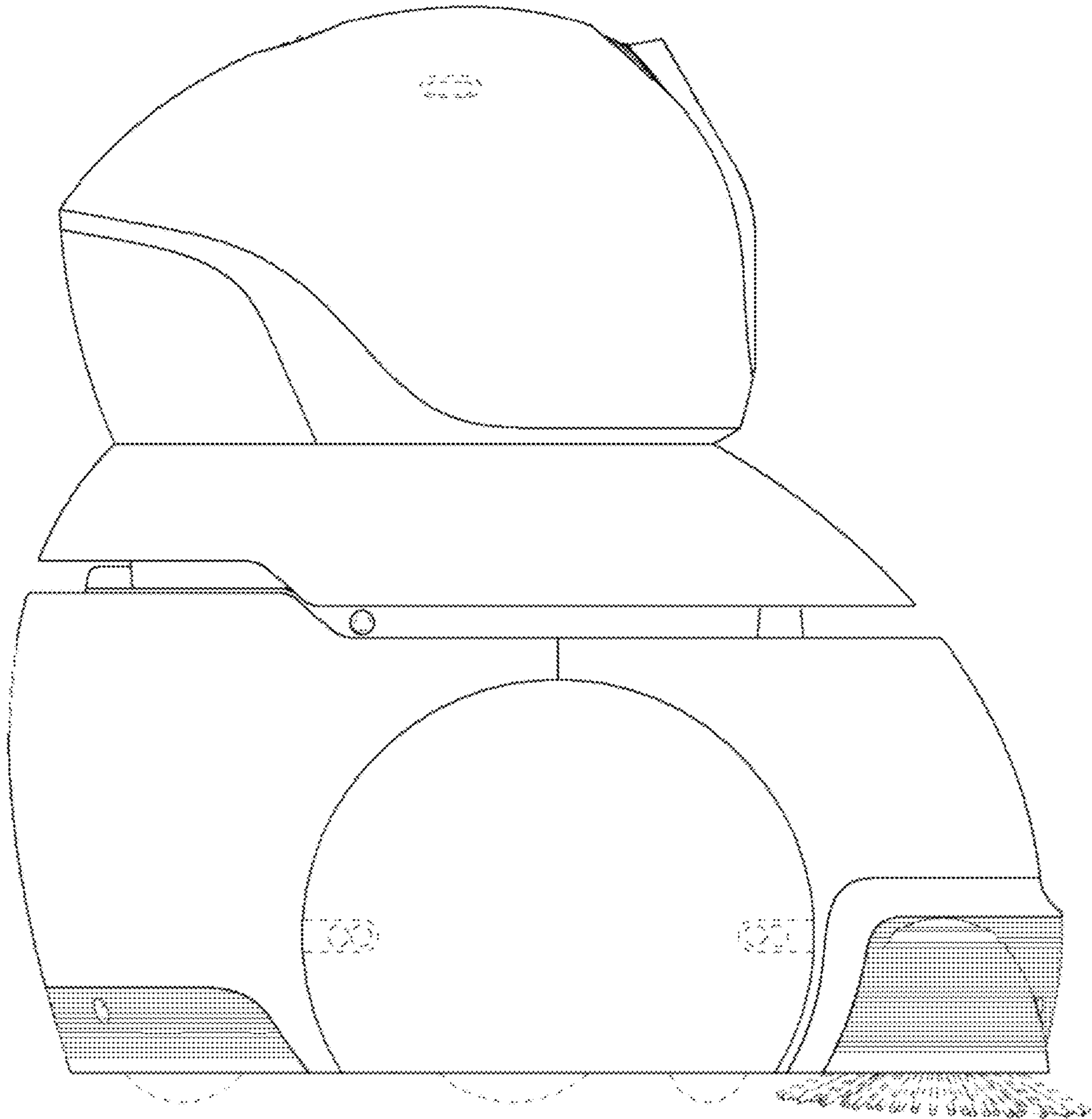
1.2



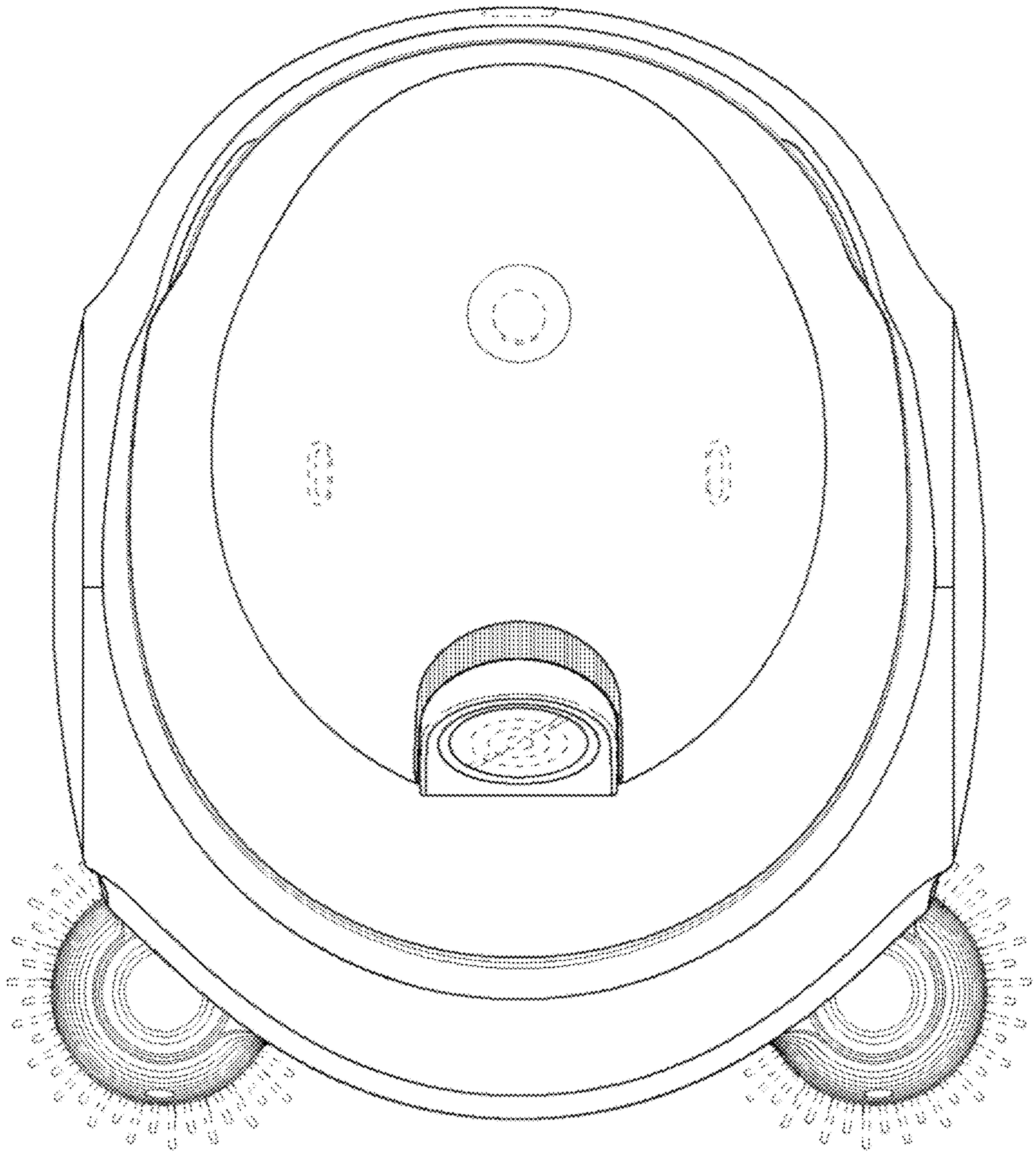
1.3



1.4



1.5



1.6

