



US00D877992S

(12) **United States Design Patent**  
**Gick**

(10) **Patent No.:** **US D877,992 S**  
(45) **Date of Patent:** **\*\* Mar. 10, 2020**

(54) **DOG CHEW TOY**

(71) Applicant: **PetQwerks, Inc.**, Irvine, CA (US)

(72) Inventor: **James W. Gick**, Irvine, CA (US)

(\*\*) Term: **15 Years**

(21) Appl. No.: **29/676,261**

(22) Filed: **Jan. 9, 2019**

(51) **LOC (12) Cl.** ..... **30-99**

(52) **U.S. Cl.**  
USPC ..... **D30/160**

(58) **Field of Classification Search**

USPC ..... D30/160; D1/104, 106, 107, 127, 199;  
D21/398, 415, 717; D11/7, 14;  
119/707-712

CPC ..... A01K 15/025; A01K 15/026  
See application file for complete search history.

(56) **References Cited**

**U.S. PATENT DOCUMENTS**

6,360,693	B1 *	3/2002	Long, III	.....	A01K 15/026 119/707
6,379,725	B1 *	4/2002	Wang	.....	A01K 15/026 426/104
D607,618	S *	1/2010	Rutherford	.....	D30/160
D636,540	S *	4/2011	McCann	.....	D30/160
D662,676	S *	6/2012	Wechsler	.....	D30/160
D690,897	S *	10/2013	Toolan	.....	D1/199
D698,456	S *	1/2014	Zedaker	.....	D24/215
D708,417	S *	7/2014	Allen	.....	D1/106
D819,899	S *	6/2018	Gick	.....	D30/160
D858,907	S *	9/2019	Gick	.....	D30/160
D861,281	S *	10/2019	Axelrod	.....	D1/106

**OTHER PUBLICATIONS**

“Barkbone”, posted Jul. 3, 2019[online], [retrieved Nov. 5, 2019],from internet: <https://www.amazon.com/Pet-Qwerks-BarkBone-Peanut->

Butter/product-reviews/B07PX3T3BF/ref=cm\_cr\_getr\_d\_paging\_btm\_next\_6?ie=UTF8&reviewerType=all\_reviews&sortBy=recent&pageNumber=6.\*

“Barkbone”, posted Jun. 18, 2019[online], [retrieved Nov. 5, 2019],from internet: [https://www.amazon.com/Pet-Qwerks-BarkBone-Flavor-Dental/product-reviews/B07Q2VXVGH/ref=cm\\_cr\\_getr\\_d\\_paging\\_btm\\_next\\_5?ie=UTF8&reviewerType=all\\_reviews&sortBy=recent&pageNumber=5.\\*](https://www.amazon.com/Pet-Qwerks-BarkBone-Flavor-Dental/product-reviews/B07Q2VXVGH/ref=cm_cr_getr_d_paging_btm_next_5?ie=UTF8&reviewerType=all_reviews&sortBy=recent&pageNumber=5.*)

\* cited by examiner

*Primary Examiner* — Sandra S Snapp

*Assistant Examiner* — Mehri F Bajoul

(74) *Attorney, Agent, or Firm* — Manning & Kass, Ellrod, Ramirez, Trester LLP; Roland J. Tong

(57) **CLAIM**

The ornamental design for a dog chew toy, as shown and described.

**DESCRIPTION**

FIG. 1 is a perspective view of a dog chew toy according to the present disclosure.

FIG. 2 is a bottom plan view of the dog chew toy according to the present disclosure.

FIG. 3 is a top plan view of the dog chew toy according to the present disclosure.

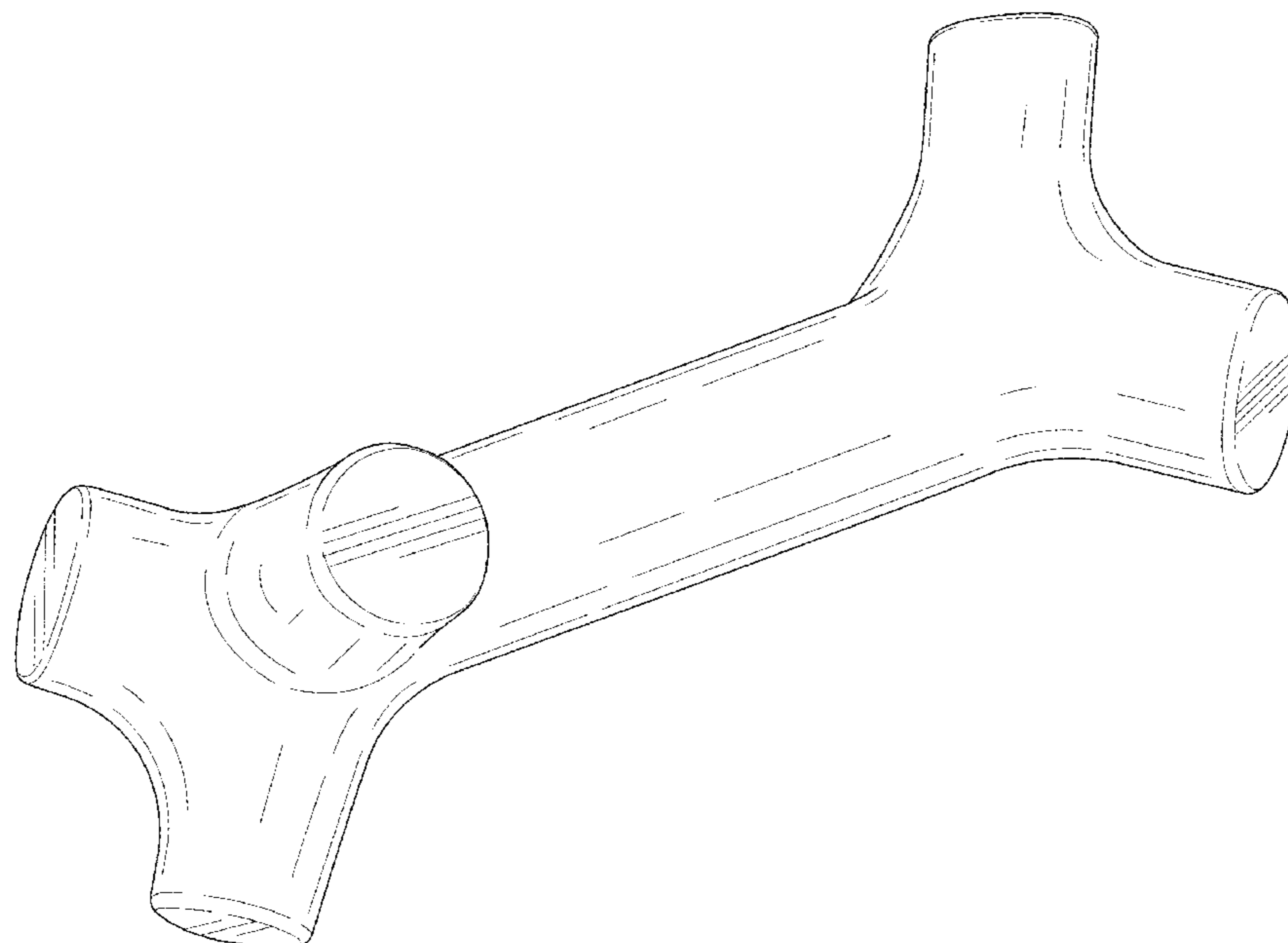
FIG. 4 is a right side view of the dog chew toy according to the present disclosure.

FIG. 5 is a left side view of the dog chew toy according to the present disclosure.

FIG. 6 is a front view of the dog chew toy according to the present disclosure; and,

FIG. 7 is a rear view of the dog chew toy according to the present disclosure.

**1 Claim, 6 Drawing Sheets**



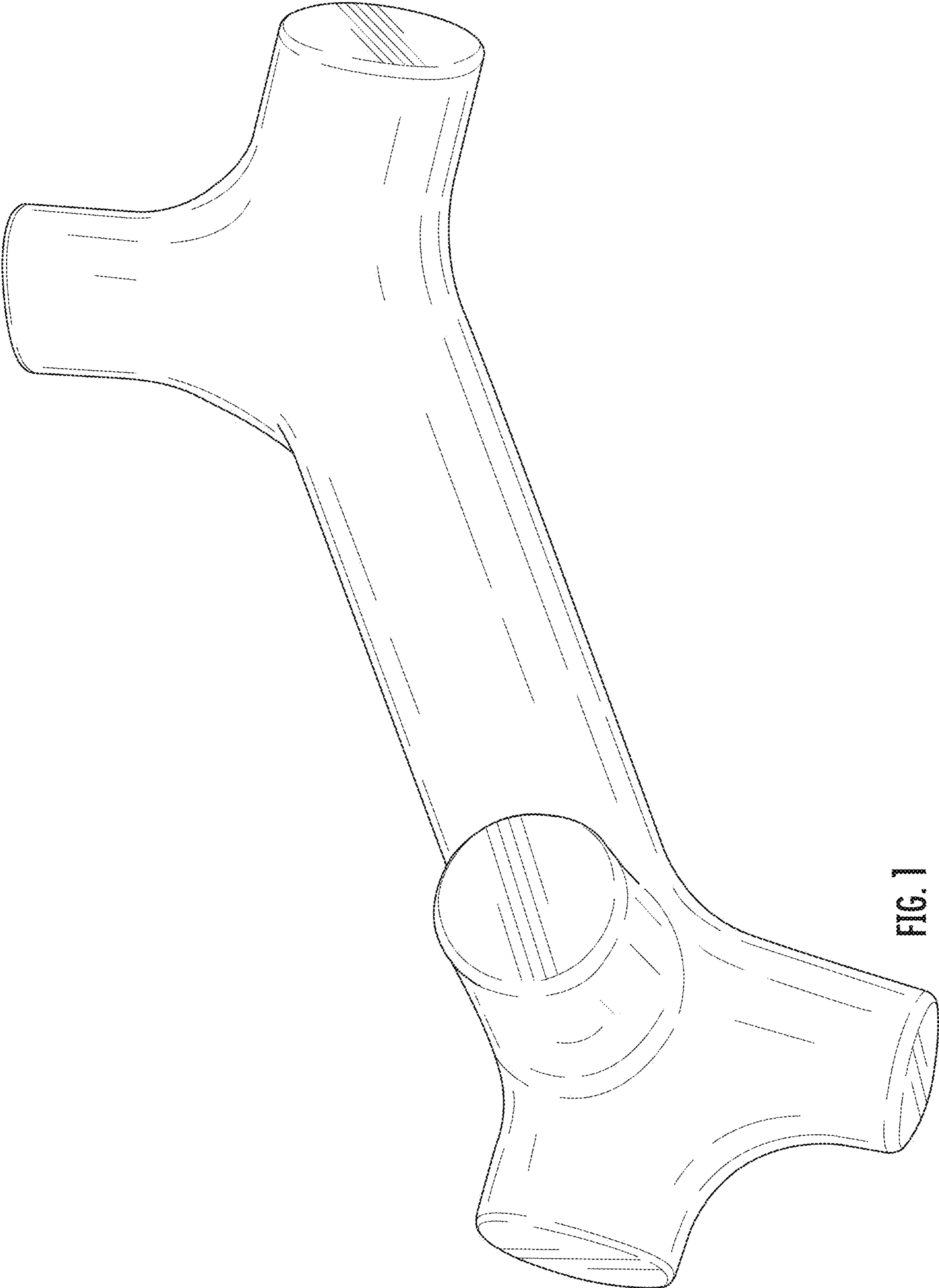


FIG. 1

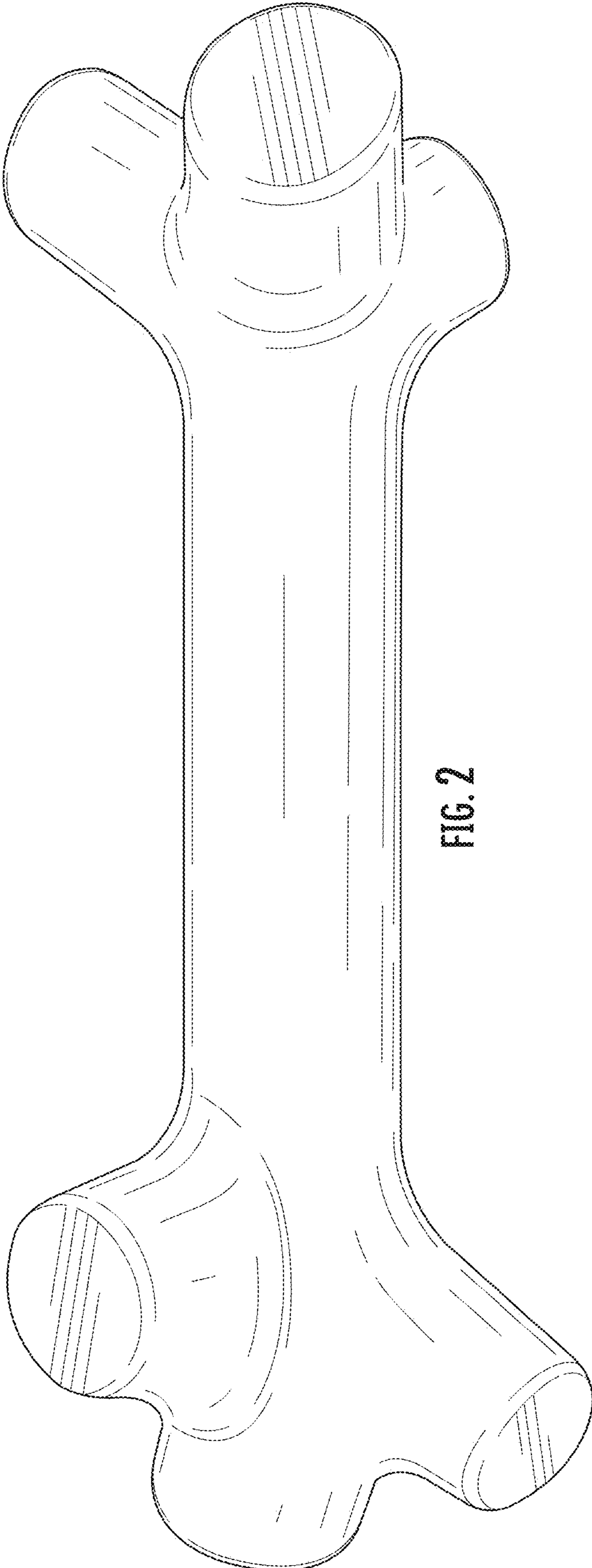


FIG. 2

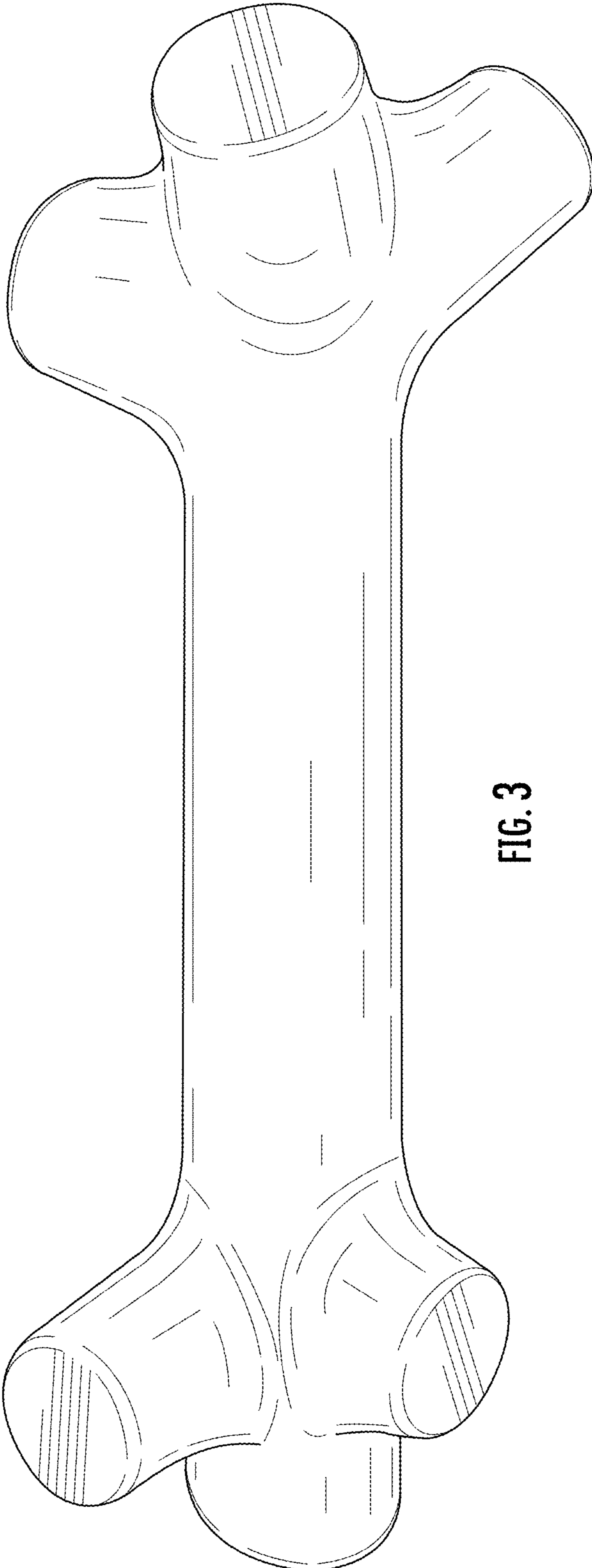


FIG. 3

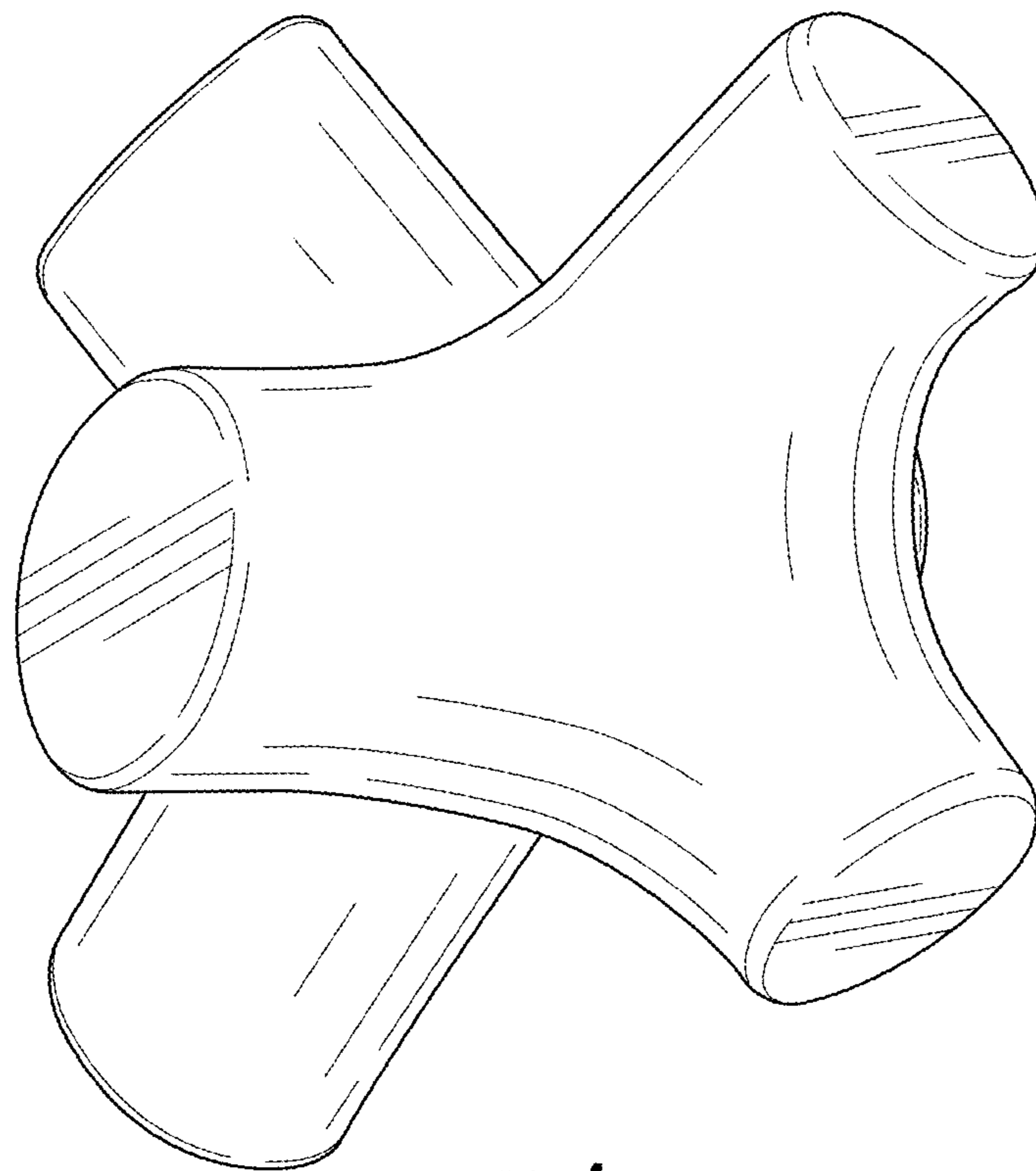


FIG. 4

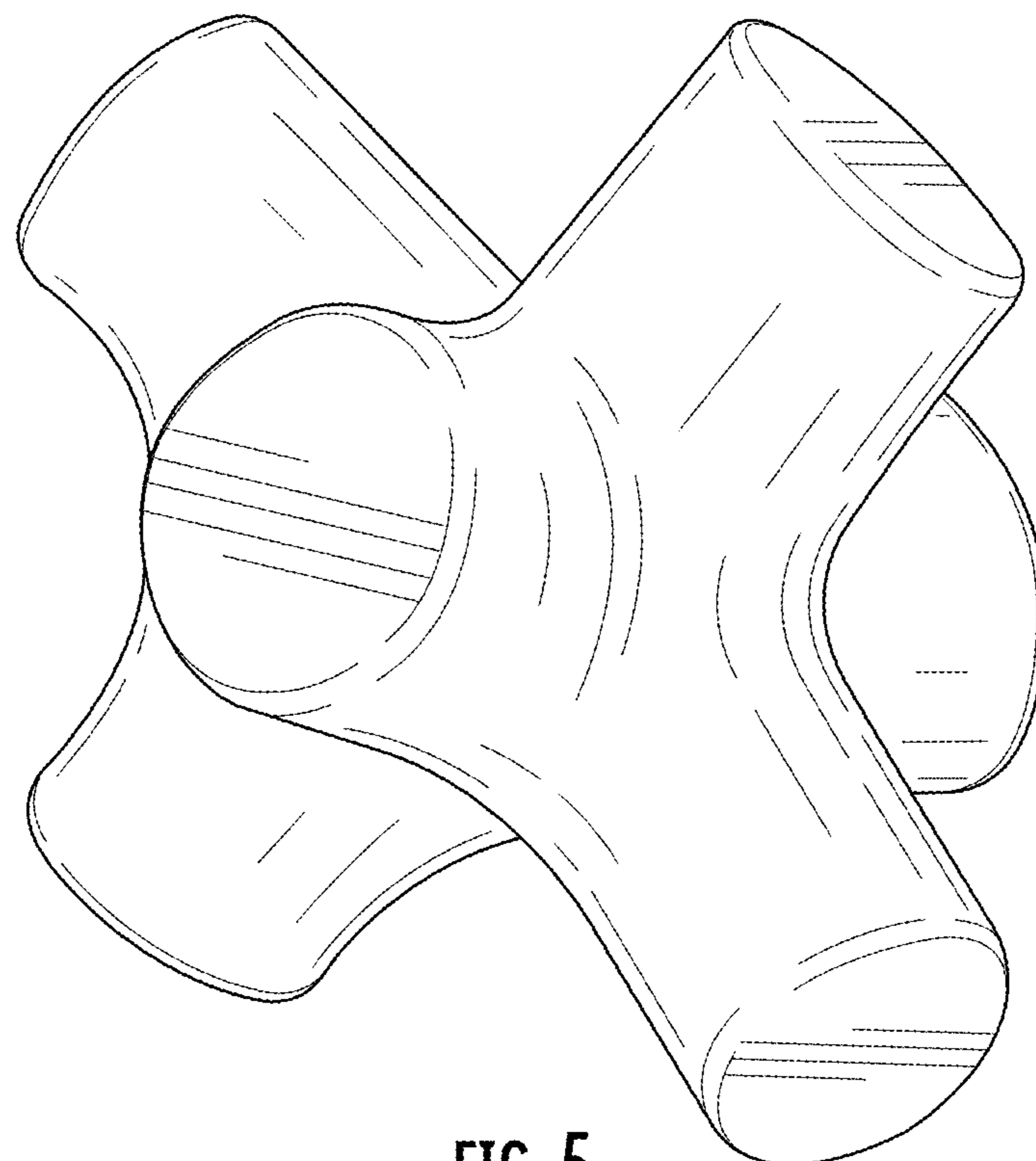


FIG. 5

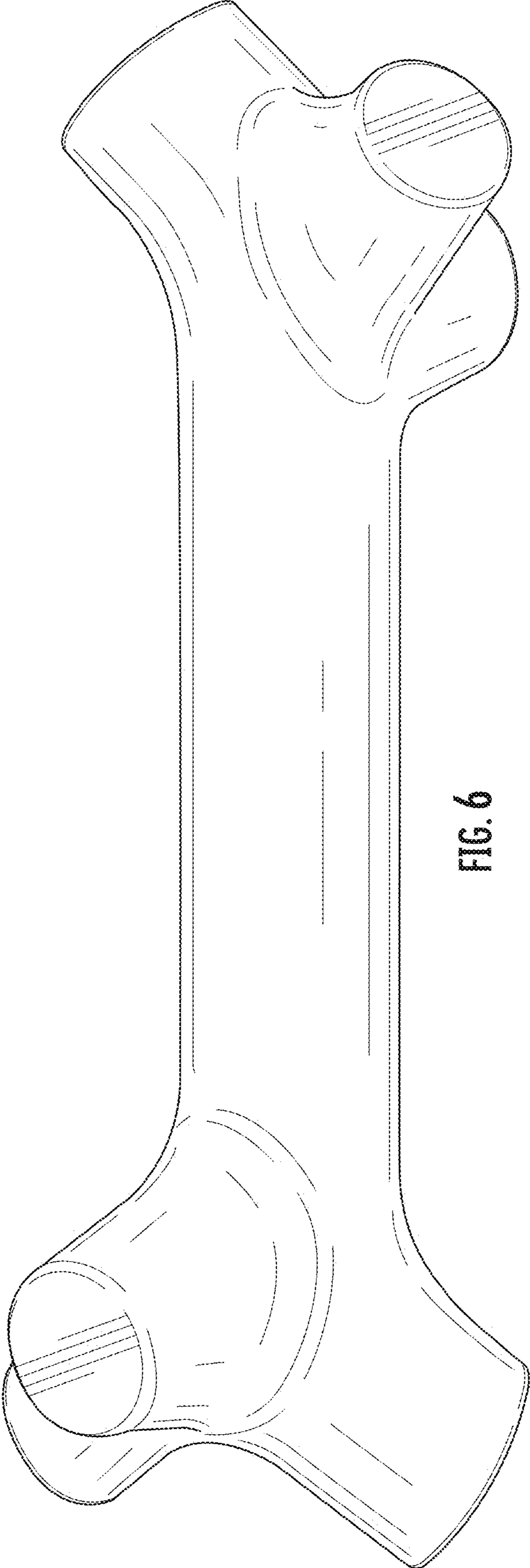


FIG. 6

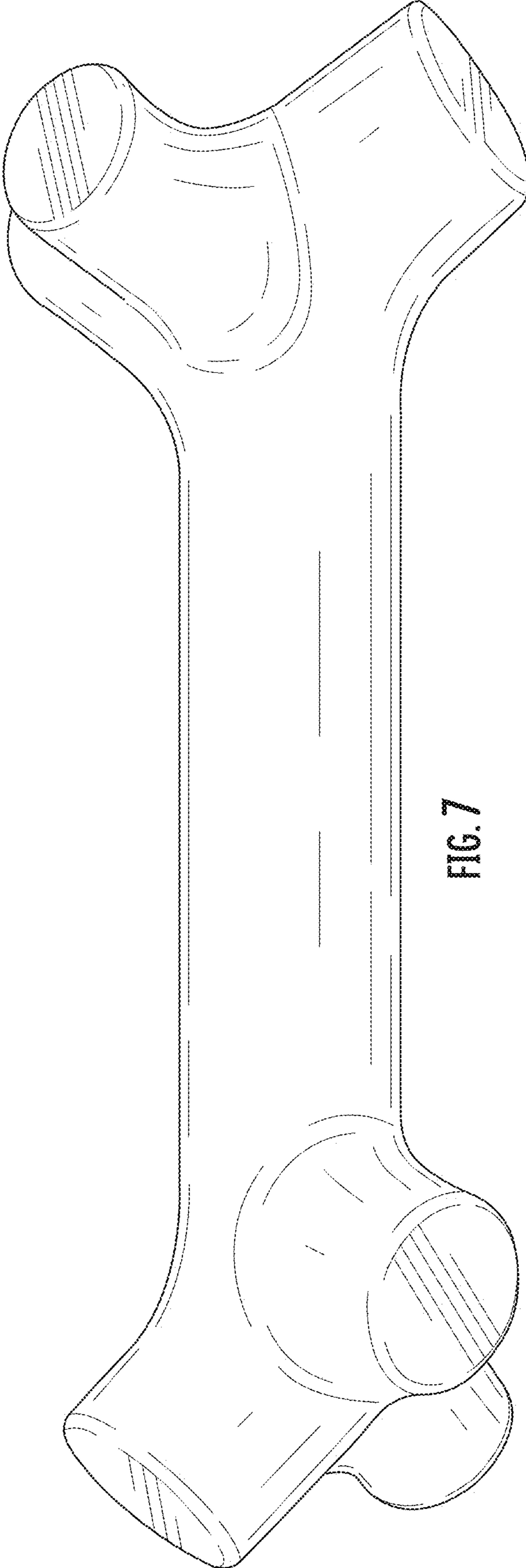


FIG. 7