



US00D877989S

(12) **United States Design Patent**
Deese

(10) **Patent No.:** **US D877,989 S**

(45) **Date of Patent:** **** Mar. 10, 2020**

(54) **HUNTER'S BIRD RELEASE CAGE**

(71) Applicant: **Kenneth Deese**, Newton, GA (US)

(72) Inventor: **Kenneth Deese**, Newton, GA (US)

(**) Term: **15 Years**

(21) Appl. No.: **29/655,173**

(22) Filed: **Jun. 29, 2018**

(51) **LOC (12) Cl.** **30-02**

(52) **U.S. Cl.**
USPC **D30/114**

(58) **Field of Classification Search**
USPC D30/108-119, 160, 161, 199, 124, 127,
D30/131, 133; D22/119, 121, 122;
119/427, 496, 497, 453; 43/100-105, 85,
43/124, 118; D6/329, 641, 642, 647,
D6/653.11, 653.12, 657, 660-663, 672,
D6/675, 681, 683, 684
CPC A01K 1/0245; A01K 1/00; A01K 1/02;
A01K 1/03; A01K 1/031
See application file for complete search history.

(56) **References Cited**

U.S. PATENT DOCUMENTS

- 1,391,489 A * 9/1921 Nawracaj A01M 23/22
43/58
- 3,393,468 A * 7/1968 Wood A01M 23/08
43/66
- 4,342,172 A * 8/1982 Guanci A01M 23/18
43/61
- D299,567 S * 1/1989 Willingham D30/116
- D300,377 S * 3/1989 Willingham D30/116
- 4,829,701 A * 5/1989 ImBrognio A01K 31/10
43/61
- D410,519 S * 6/1999 Greenough D22/119
- 6,588,139 B2 * 7/2003 Kao A01M 23/16
43/61
- D614,815 S * 4/2010 Co D30/114
- D621,102 S * 8/2010 German D30/158

- D634,078 S * 3/2011 Lee D30/119
- D652,998 S * 1/2012 Cantwell D30/114
- D653,405 S * 1/2012 Cantwell D30/114
- D653,814 S * 2/2012 Cantwell D30/114
- D669,643 S * 10/2012 Kilroy A01K 63/003
D30/104

(Continued)

Primary Examiner — Michael C Stout

Assistant Examiner — Katrina N Gonzalez

(74) *Attorney, Agent, or Firm* — Withers & Keys, LLC

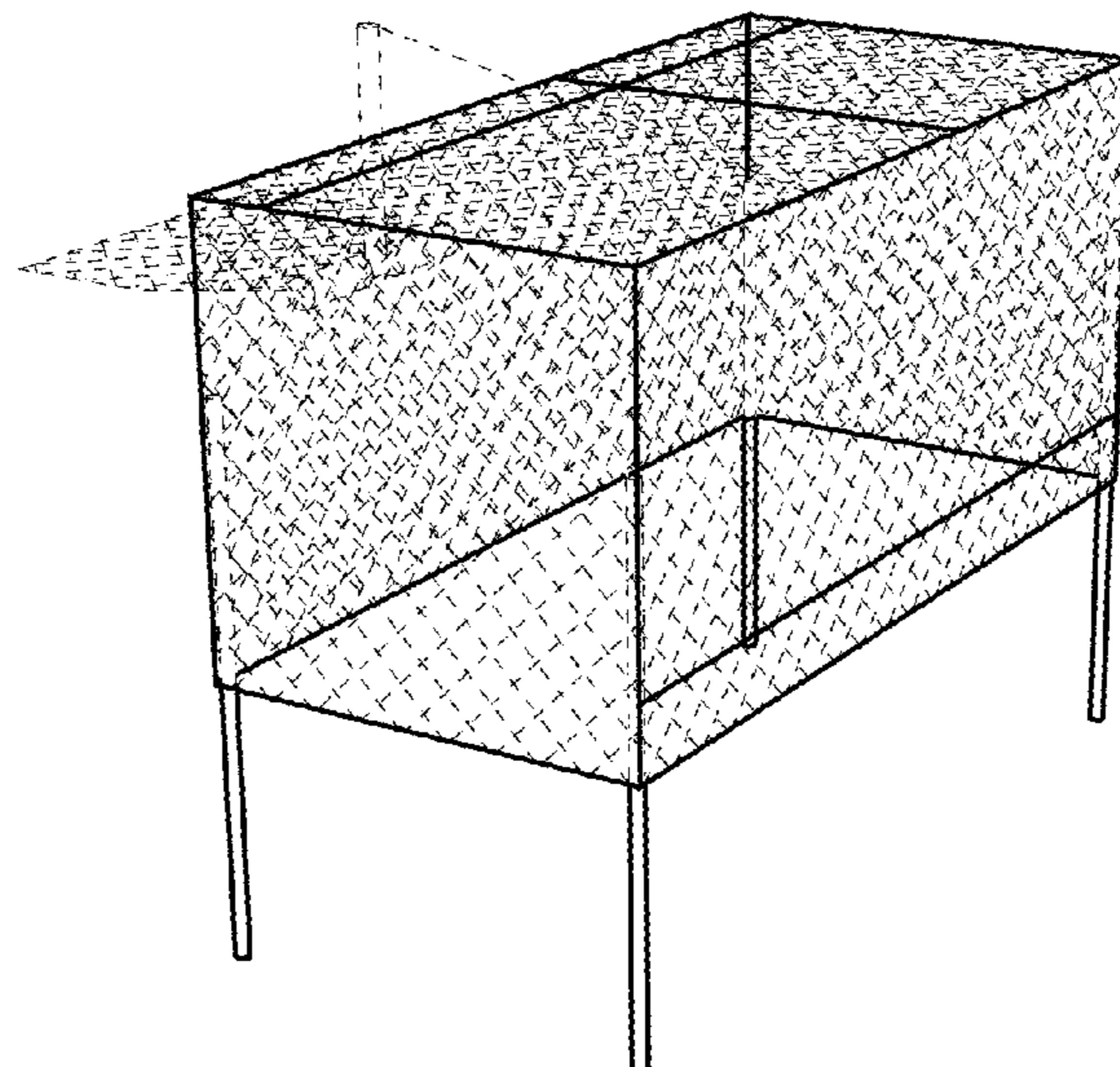
(57) **CLAIM**

The ornamental design for a hunter's bird release cage, as shown and described.

DESCRIPTION

FIG. 1 is a front perspective view of a hunter's bird release cage, showing my new design;
 FIG. 2 is a rear perspective view of the hunter's bird release cage shown in FIG. 1;
 FIG. 3 is a front view of the hunter's bird release cage shown in FIG. 1;
 FIG. 4 is a rear view of the hunter's bird release cage shown in FIG. 1;
 FIG. 5 is a left-sided view of the hunter's bird release cage shown in FIG. 1;
 FIG. 6 is a right-sided view of the hunter's bird release cage shown in FIG. 1;
 FIG. 7 is a top view of the hunter's bird release cage shown in FIG. 1;
 FIG. 8 is a bottom view of the hunter's bird release cage shown in FIG. 1; and,
 FIG. 9 is another front perspective view of the hunter's bird release cage shown in FIG. 1, shown with the release mechanism activated so that the cage is in an open position (i.e., bird release).
 The dashed broken lines shown in the drawings illustrate portions of the hunter's bird release cage that forms no part of the claimed design.

1 Claim, 9 Drawing Sheets



(56)

References Cited

U.S. PATENT DOCUMENTS

D670,448 S * 11/2012 Cantwell D30/114
D672,511 S * 12/2012 Cantwell A01K 1/0245
D30/114
D683,080 S * 5/2013 Snow D30/108
9,730,437 B2 * 8/2017 Marks H05K 999/99
D825,113 S * 8/2018 Langenwalter D30/114
D852,429 S * 6/2019 Rathman D30/114
2010/0275504 A1 * 11/2010 Hilty A01K 69/06
43/100
2010/0313465 A1 * 12/2010 Haugen A01K 69/06
43/102
2013/0047488 A1 * 2/2013 Hey A01K 69/06
43/4.5
2015/0047573 A1 * 2/2015 Tam A01K 1/0236
119/497
2017/0202204 A1 * 7/2017 Baxter A01M 23/08
2018/0020636 A1 * 1/2018 Weerappuli A01K 1/0272
119/453

* cited by examiner

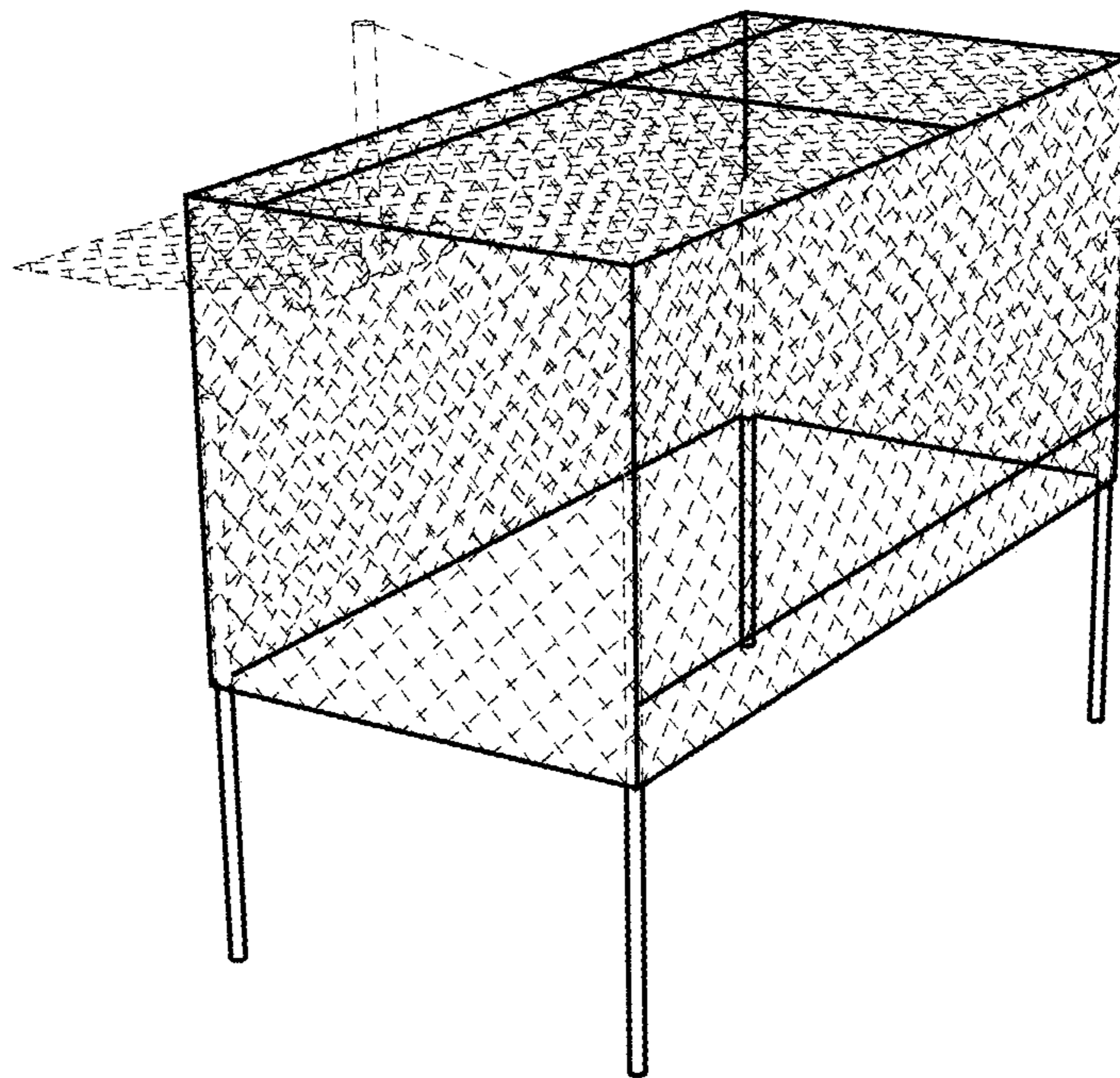


FIG. 1

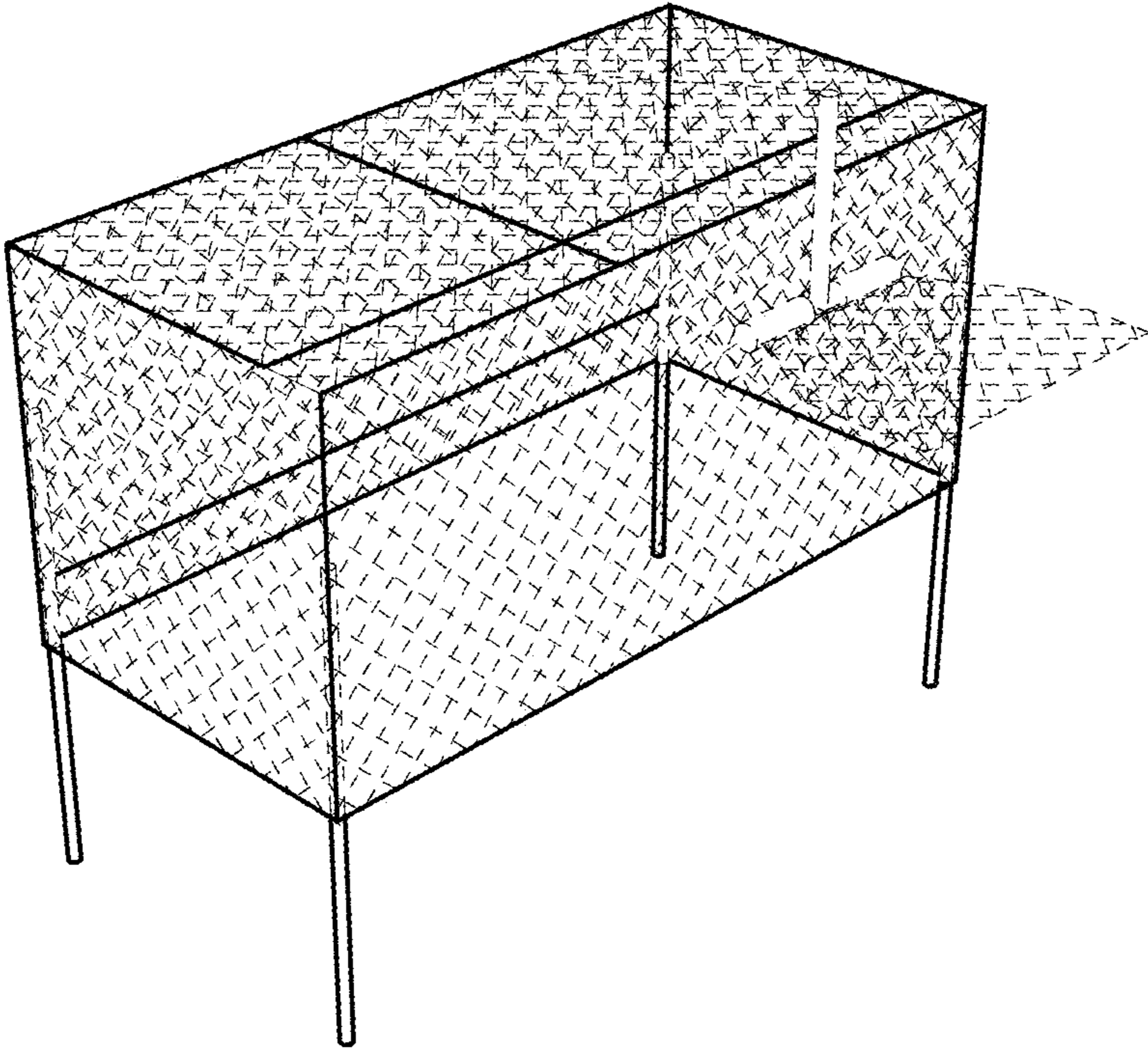


FIG. 2

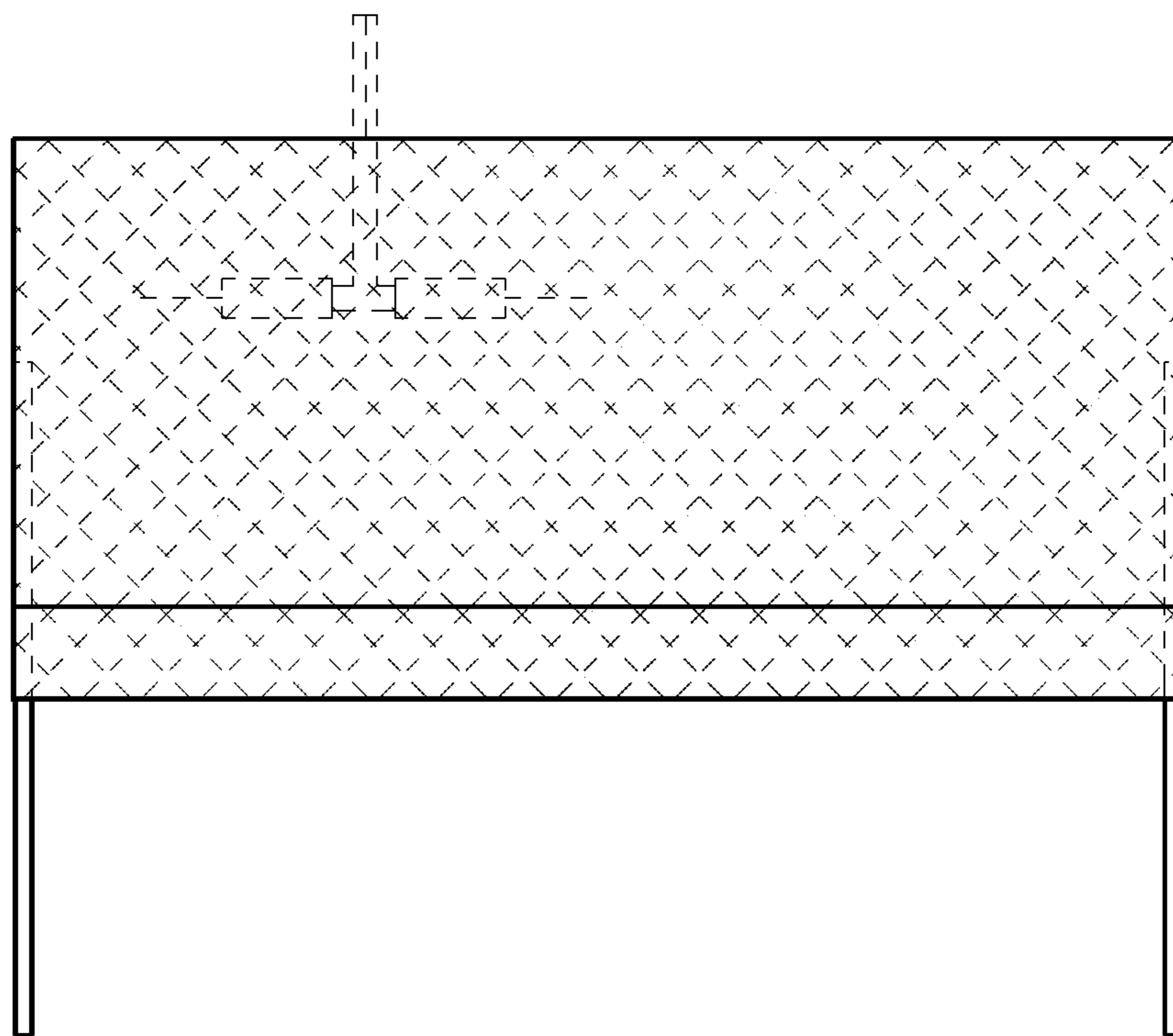


FIG. 3

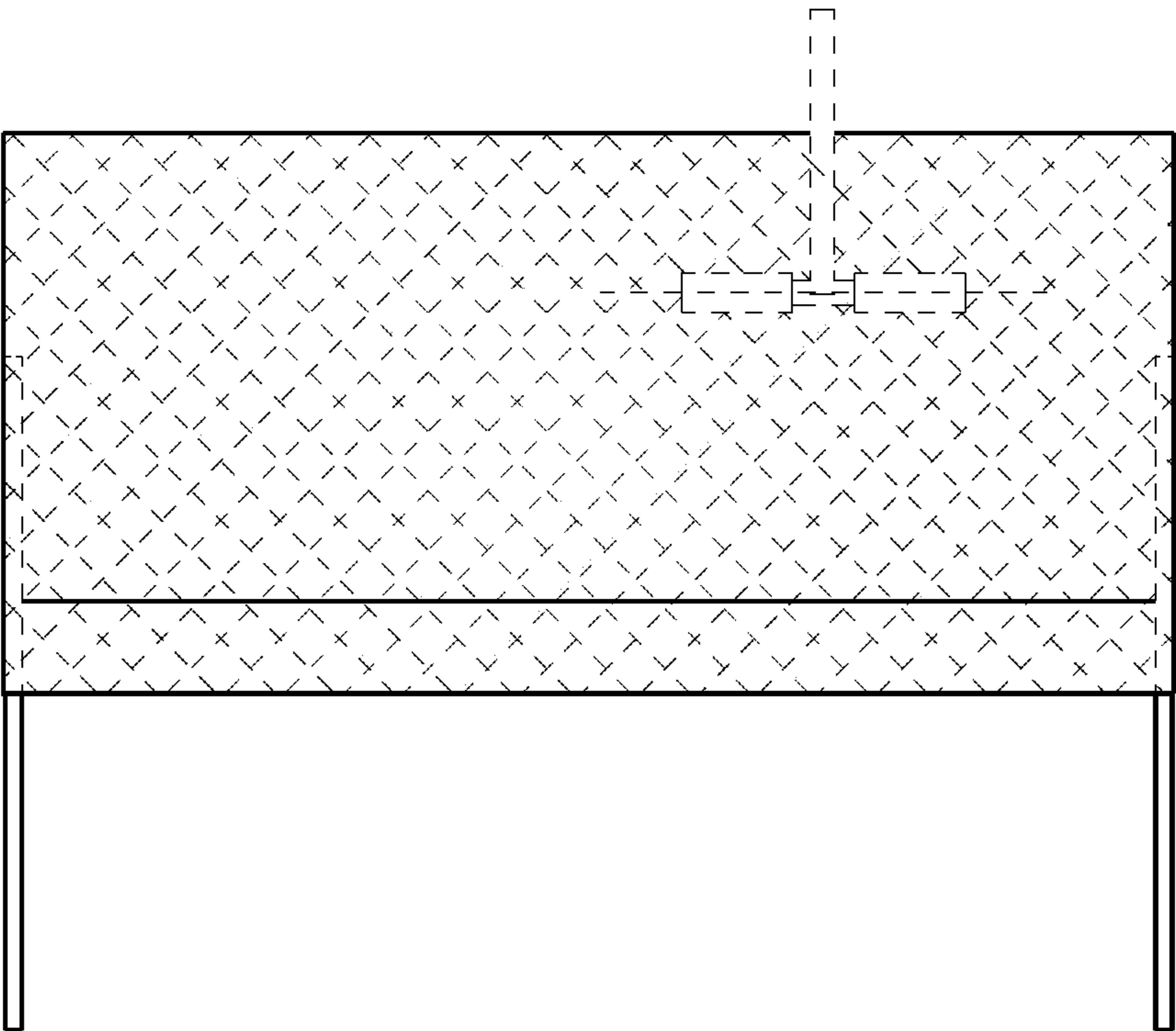


FIG. 4

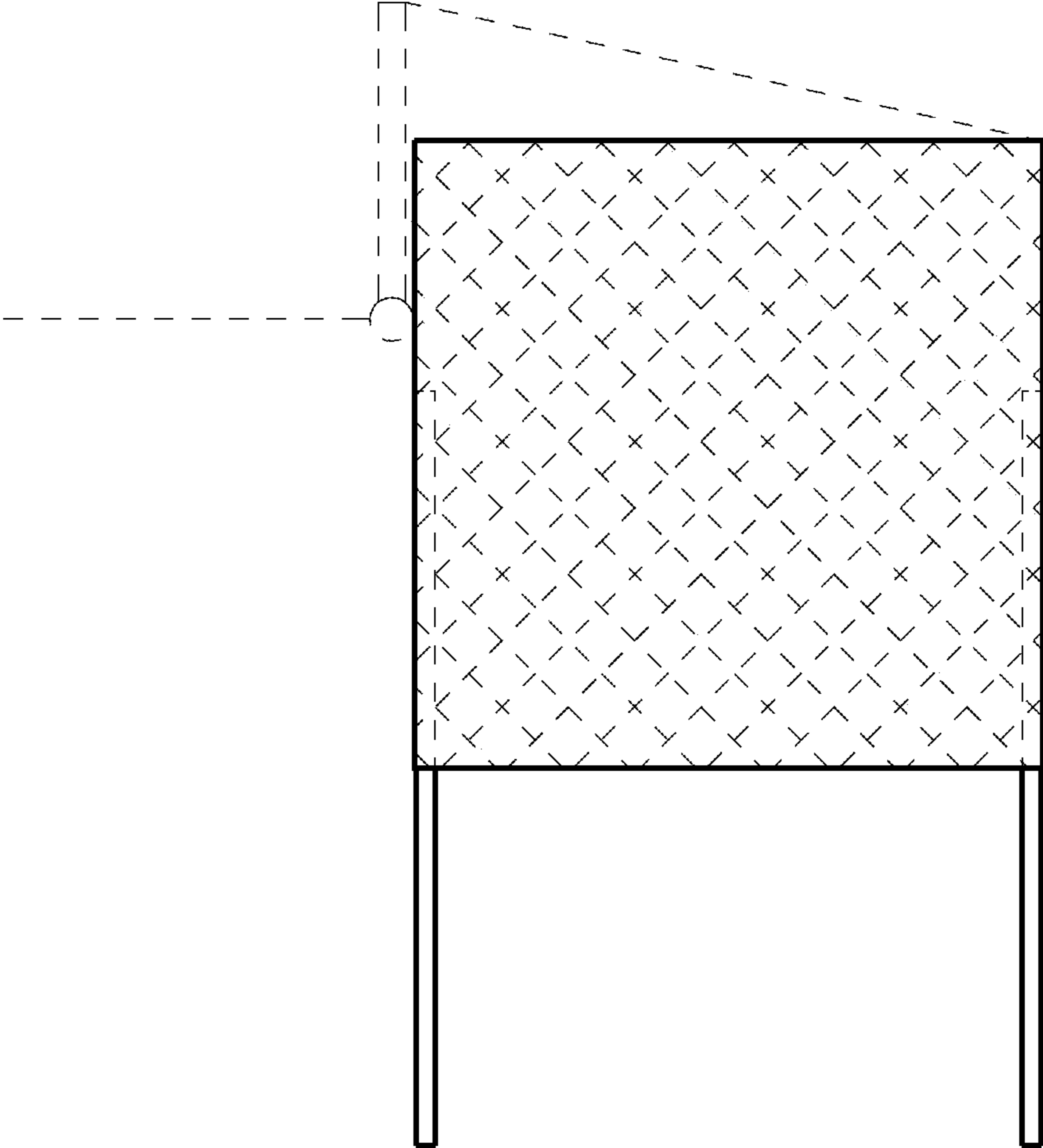


FIG. 5

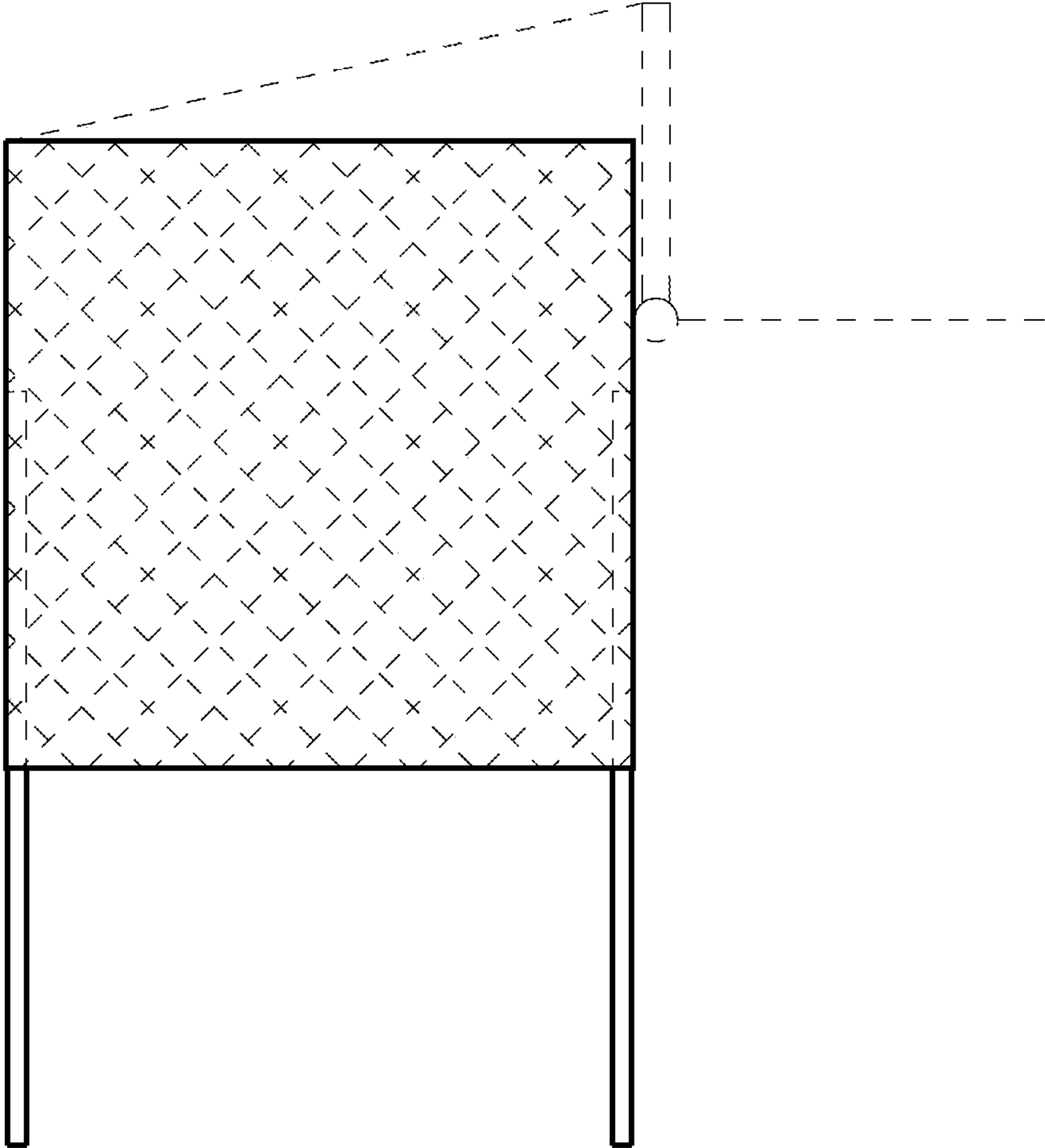


FIG. 6

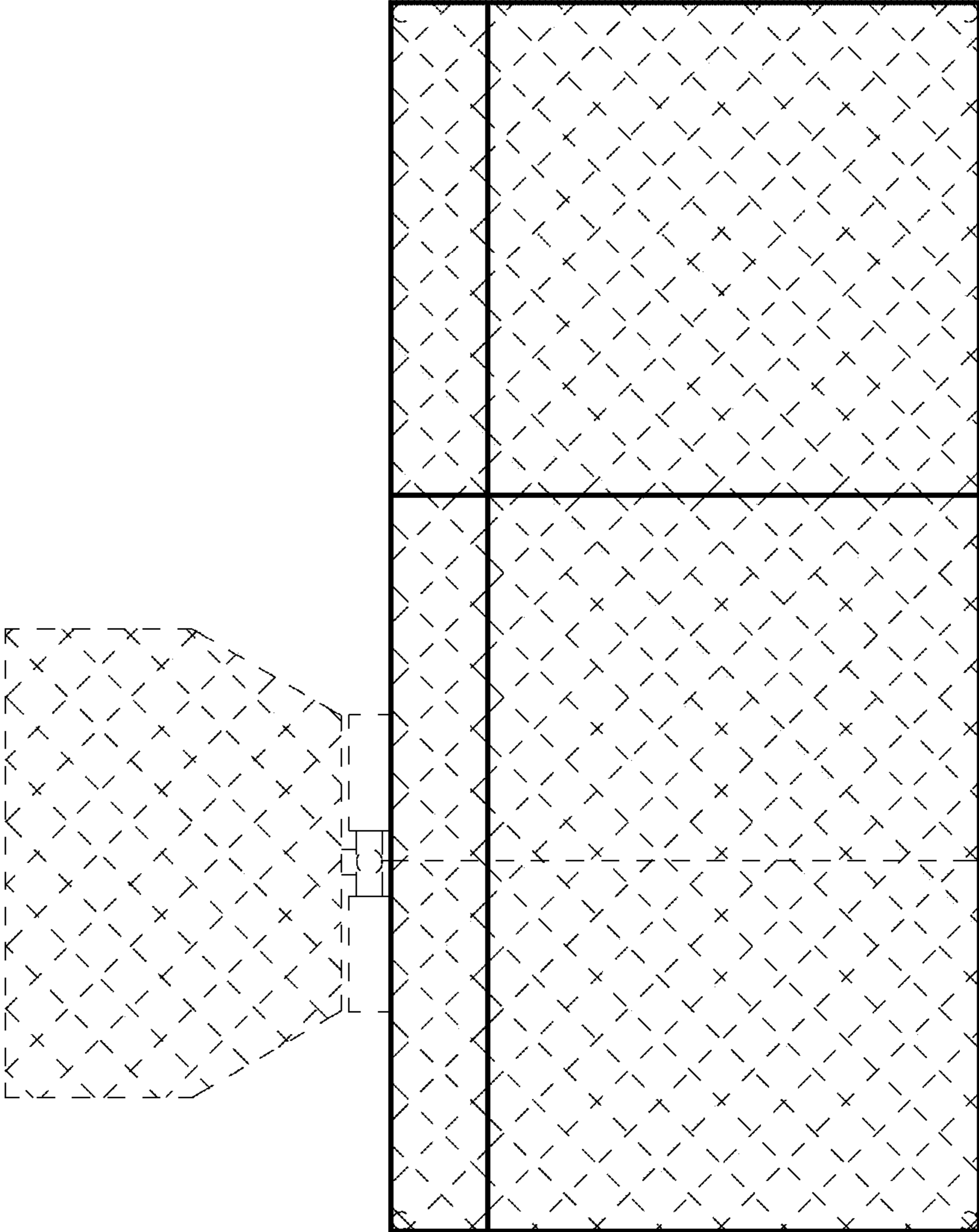


FIG. 7

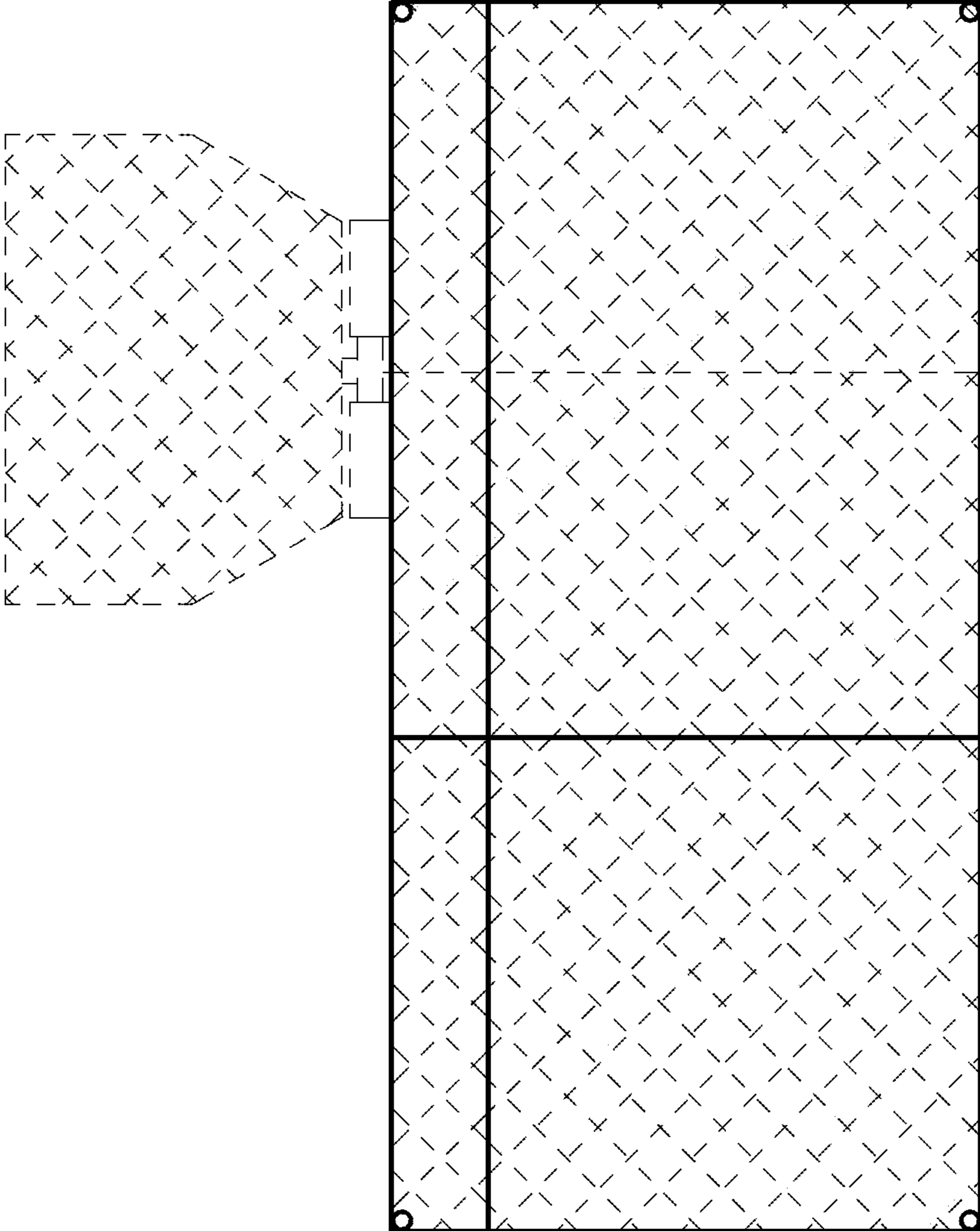


FIG. 8

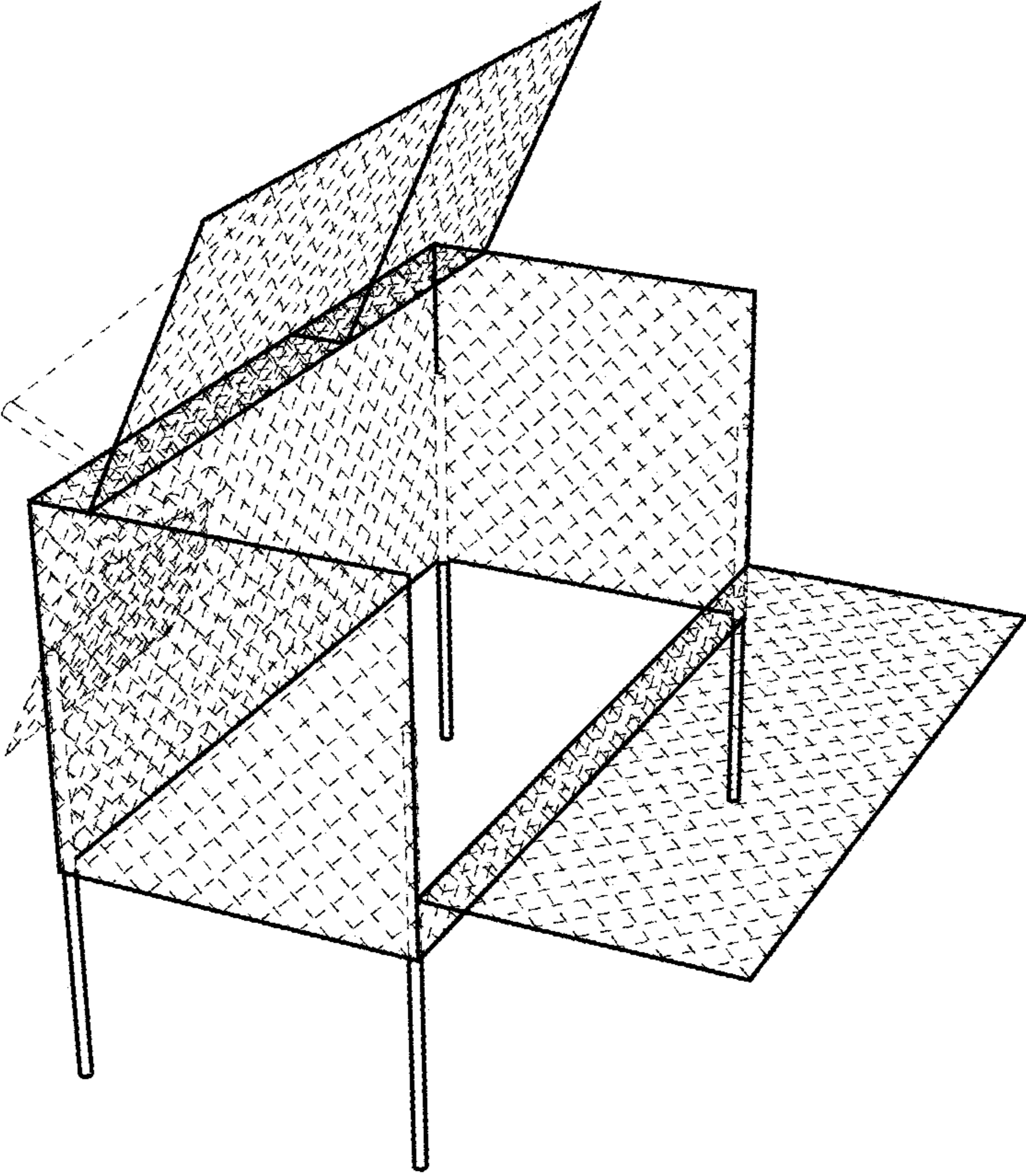


FIG. 9