



US00D877988S

(12) **United States Design Patent**
Huh

(10) **Patent No.:** **US D877,988 S**

(45) **Date of Patent:** **** Mar. 10, 2020**

(54) **WELDER'S HELMET**

D788,990 S * 6/2017 Johnson D29/110
D804,107 S * 11/2017 Patel D29/122

(71) Applicant: **OTOS WING.CO., LTD.**,
Geumcheon-gu, Seoul (KR)

* cited by examiner

(72) Inventor: **Moon Young Huh**, Seoul (KR)

Primary Examiner — Randall H Gholson

(73) Assignee: **Otos Wing.Co., Ltd.**, Seoul (KR)

(74) *Attorney, Agent, or Firm* — Fitch, Even, Tabin &
Flannery LLP

(**) Term: **15 Years**

(21) Appl. No.: **29/674,831**

(57) **CLAIM**

(22) Filed: **Dec. 26, 2018**

I claim the ornamental design for a welder's helmet, as shown and described.

(30) **Foreign Application Priority Data**

Jun. 27, 2018 (KR) 30-2018-0029743

DESCRIPTION

(51) **LOC (12) Cl.** **29-02**

(52) **U.S. Cl.**

USPC **D29/122**; D29/110

(58) **Field of Classification Search**

USPC D29/110, 102, 106-107, 122

CPC .. A61F 9/06; A61F 9/061; A61F 9/064; A61F
9/065; A61F 9/067; A61F 9/068

See application file for complete search history.

FIG. 1 is a perspective view of a welder's helmet, showing my new design;
FIG. 2 is a front elevational view thereof;
FIG. 3 is a rear elevational view thereof;
FIG. 4 is a left side elevational view thereof;
FIG. 5 is a right side elevational view thereof;
FIG. 6 is a top plan view thereof; and,
FIG. 7 is a bottom plan view thereof.

The broken lines in the figures are included for the purpose of illustrating portions of the welder's helmet and form no part of the claimed design.

(56) **References Cited**

U.S. PATENT DOCUMENTS

D444,919 S * 7/2001 Kramer D29/110

1 Claim, 7 Drawing Sheets

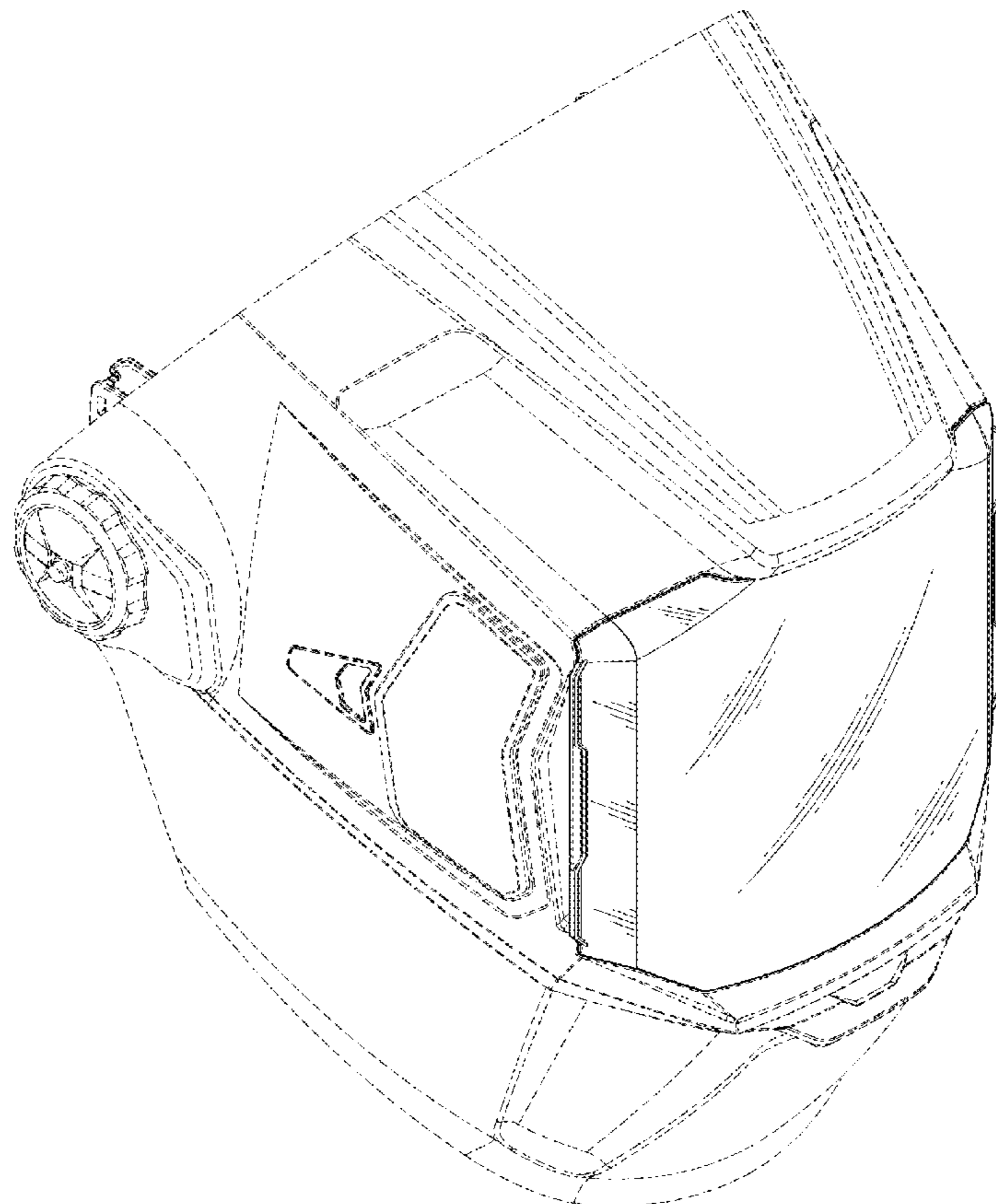


FIG. 1

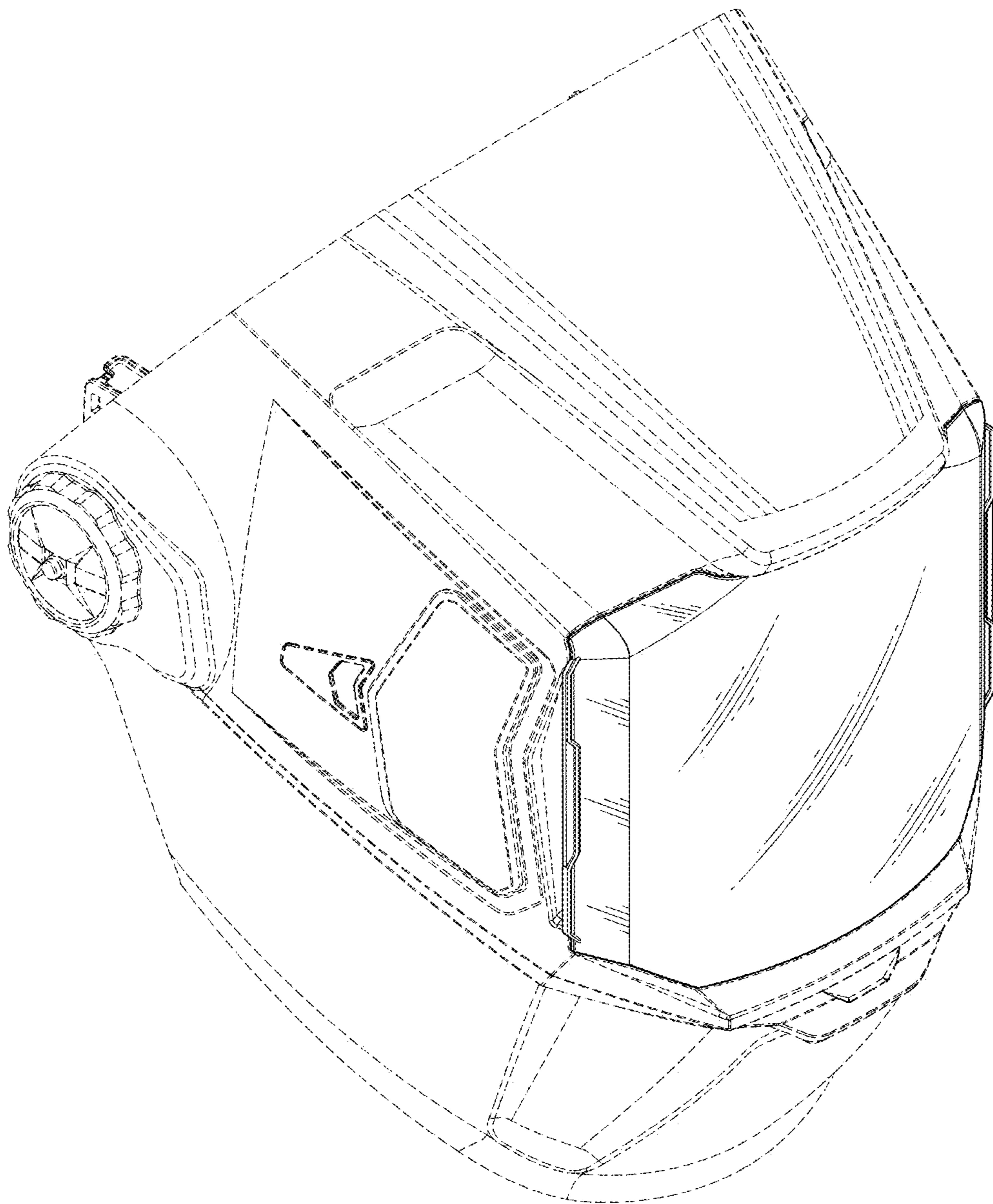


FIG. 2

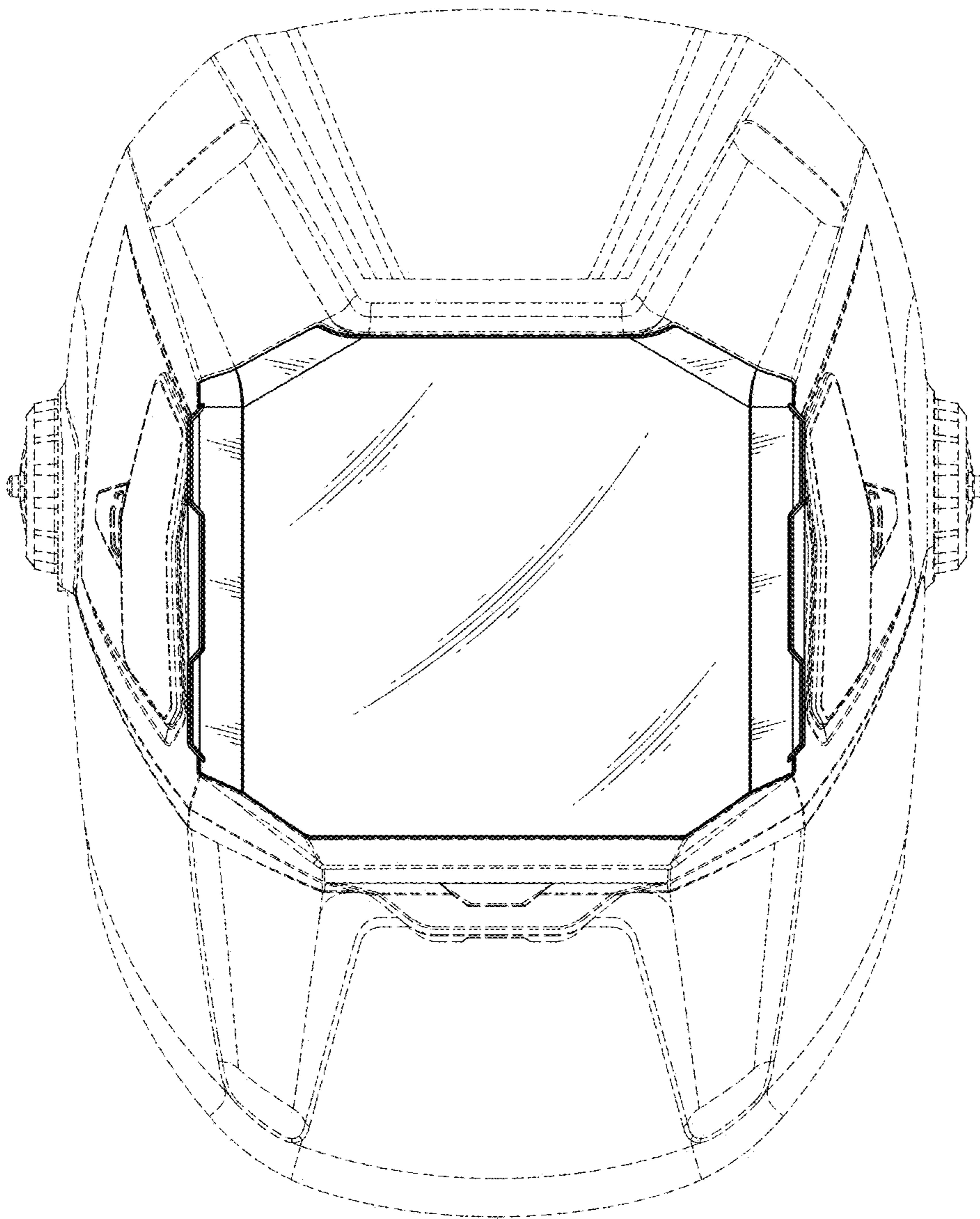


FIG. 3

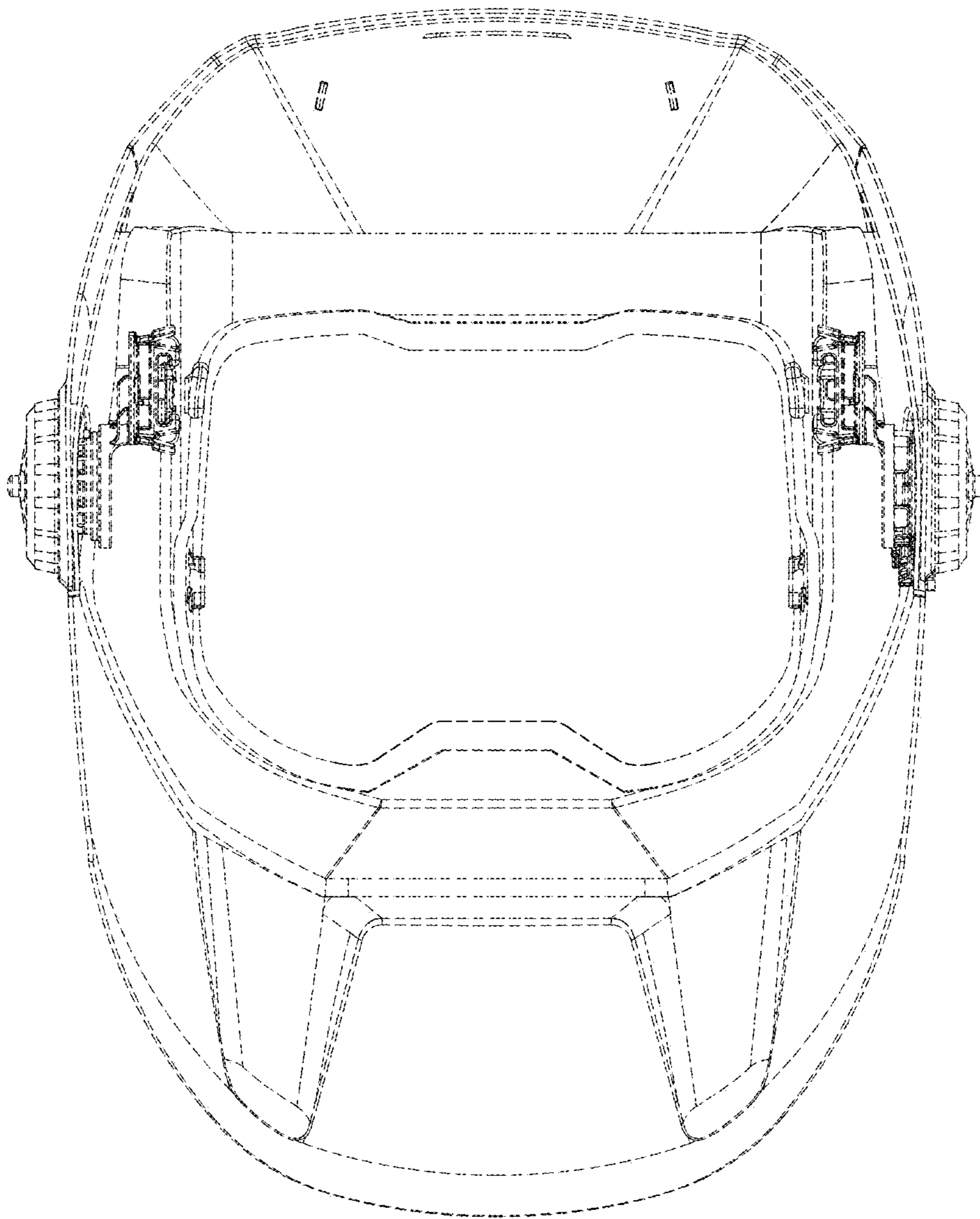


FIG. 4

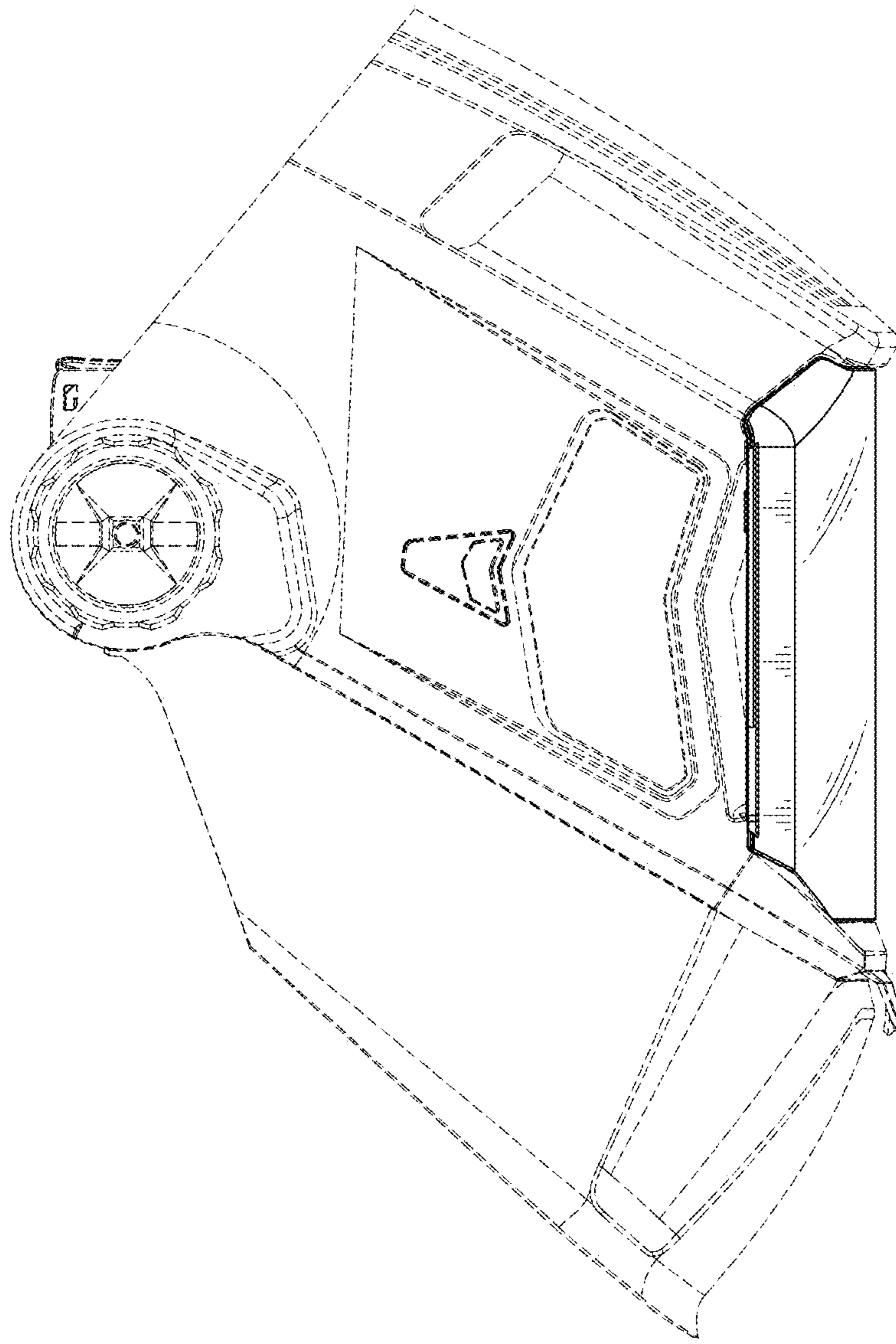


FIG. 5

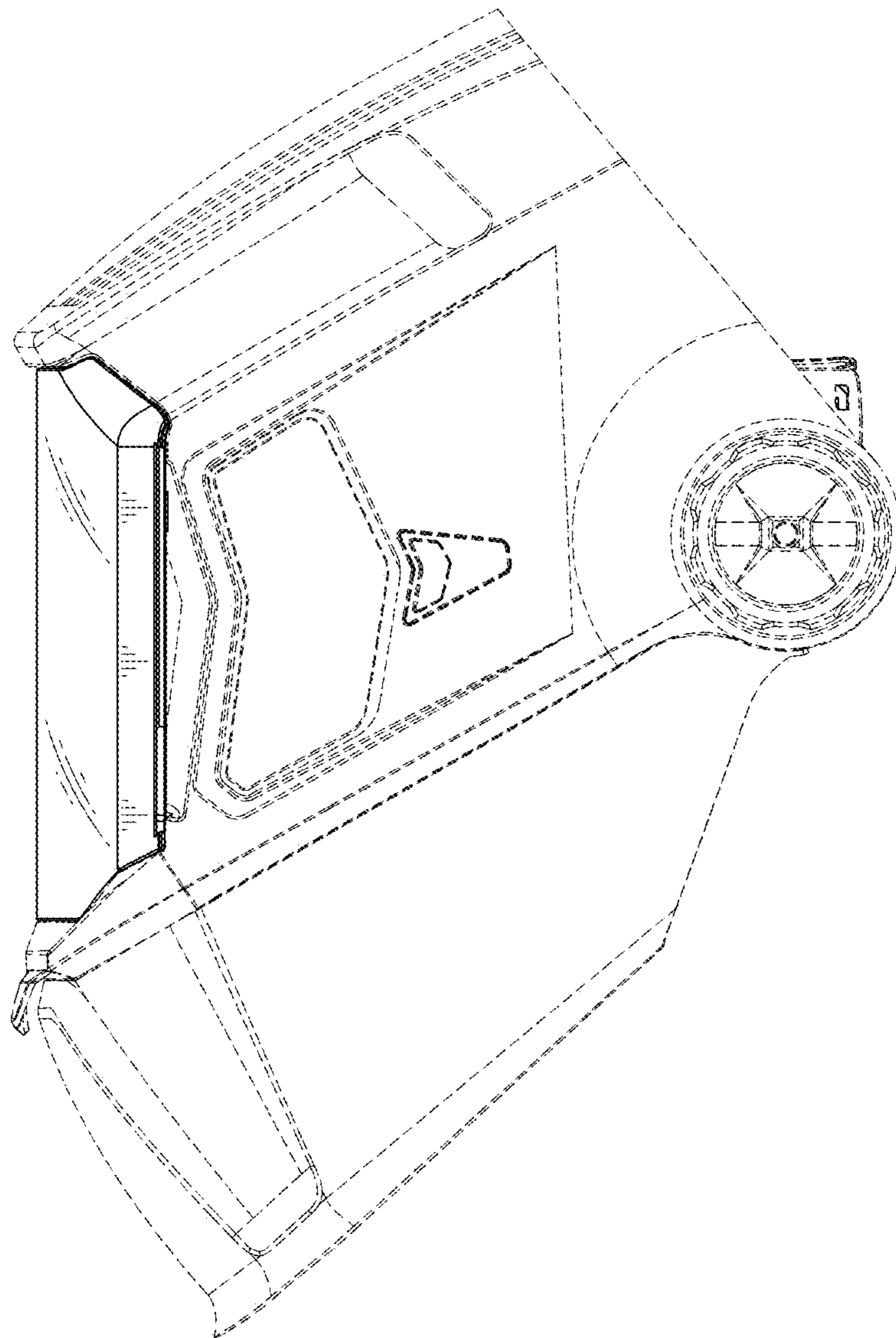


FIG. 6

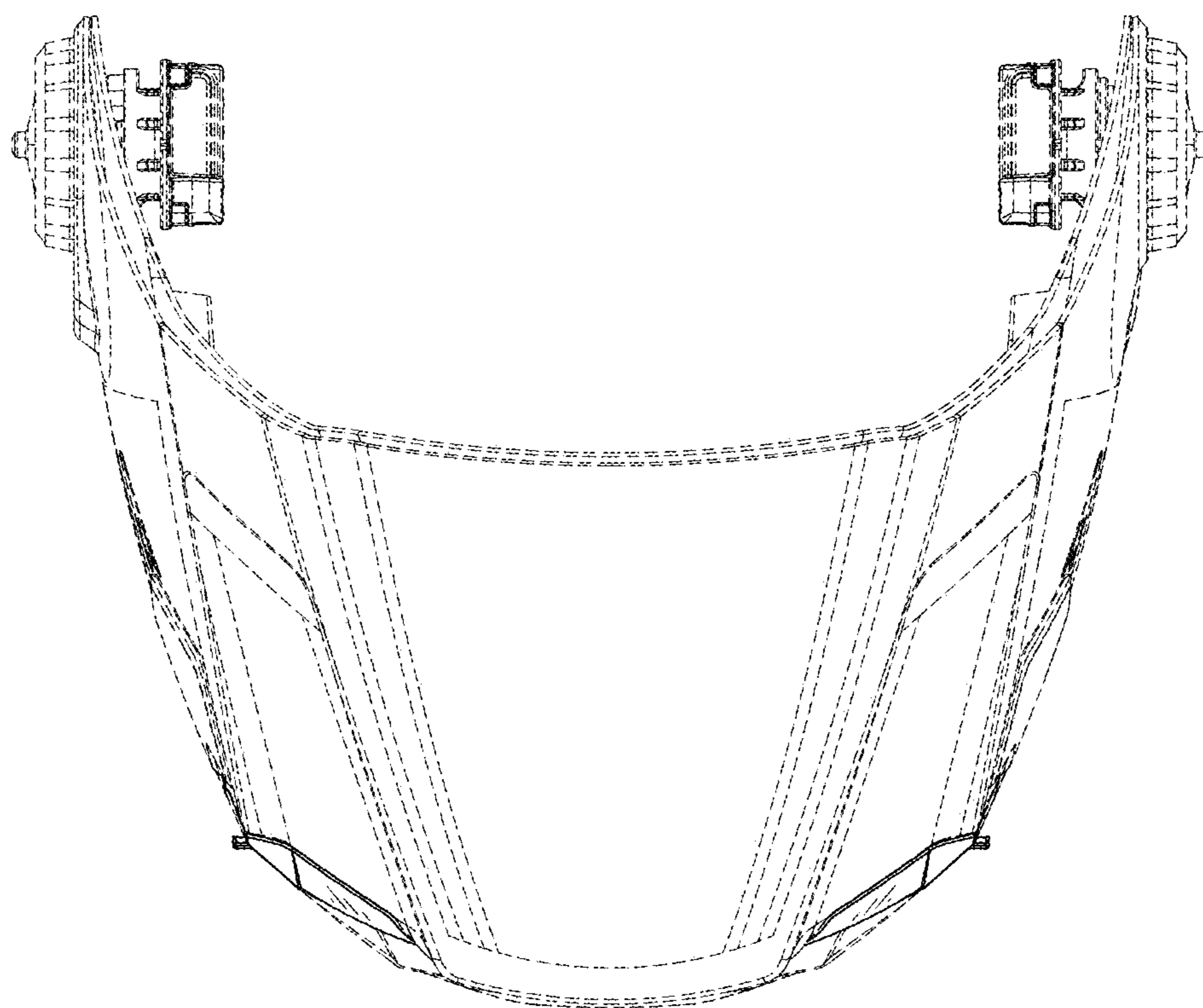


FIG. 7

