



US00D877985S

(12) **United States Design Patent** (10) **Patent No.:** **US D877,985 S**
Wei (45) **Date of Patent:** **** Mar. 10, 2020**

(54) **ELECTRIC SHAVER**

OTHER PUBLICATIONS

(71) Applicant: **Dongguan LangTu Electronic Technology Co., Ltd**, Dongguan, Guangdong Province (CN)

Mini USB Electric Shaverer, www.mybShop.com, 1 page, downloaded Oct. 28, 2019.*

Micro-USB/USB Powered, www.FastTech.com, 1 page, downloaded Oct. 28, 2019.*

(72) Inventor: **Zhenlian Wei**, Dongguan (CN)

* cited by examiner

(73) Assignee: **Dongguan LangTu Electronic Technology Co., Ltd**, Dongguan, Guangdong (CN)

Primary Examiner — Jennifer Rivard

(**) Term: **15 Years**

(57) **CLAIM**

(21) Appl. No.: **29/677,825**

The ornamental design for an electric shaver, as shown and described.

(22) Filed: **Jan. 24, 2019**

(51) **LOC (12) Cl.** **28-03**

DESCRIPTION

(52) **U.S. Cl.**

USPC **D28/50**

(58) **Field of Classification Search**

USPC D28/50

CPC B26B 19/20–205; B26B 19/00–107; B26B 19/12–18; B26B 19/22–24; B26B 19/26–265; B26B 19/38–48

See application file for complete search history.

FIG. 1 is a perspective view of an electric shaver showing my new design;
FIG. 2 is a front elevational view of thereof;
FIG. 3 is a rear elevational view thereof;
FIG. 4 is a left side elevational view thereof;
FIG. 5 is a right side elevational view thereof;
FIG. 6 is a top plan view thereof;
FIG. 7 is a bottom plan view thereof;
FIG. 8 is another perspective view thereof;
FIG. 9 is a perspective view showing the electric shaver connected to a USB; and,
FIG. 10 is a perspective view showing the electric shaver connected to a micro USB.

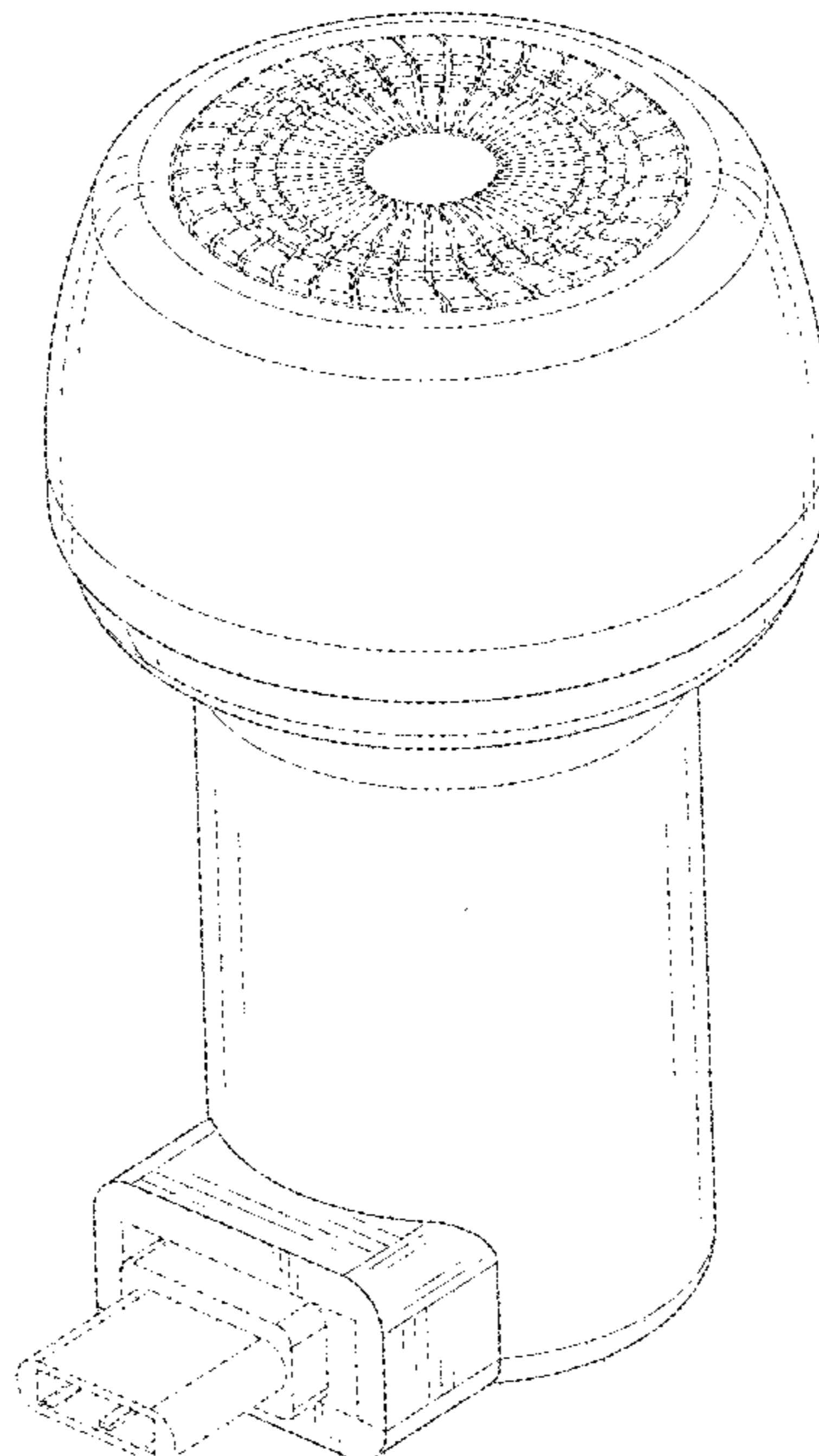
(56) **References Cited**

U.S. PATENT DOCUMENTS

3,392,443	A	*	7/1968	Yoshiro	H01M 2/1055
						30/34.1
D216,383	S	*	12/1969	Fischer	D28/50
D231,809	S	*	6/1974	Fujishima	D28/50
D255,166	S	*	5/1980	Ayukawa	D28/50
D283,059	S	*	3/1986	Satoh	D28/50
D305,806	S	*	1/1990	Fujisawa	D28/50
D307,491	S	*	4/1990	Okada	D28/50
D314,642	S	*	2/1991	Ying	D28/50

The broken lines shown in FIGS. 1-8 illustrate portions of the electric shaver, while the broken line disclosure of the USB and micro USB illustrate the environment. None of the broken line disclosure forms part of the claimed design.

1 Claim, 10 Drawing Sheets



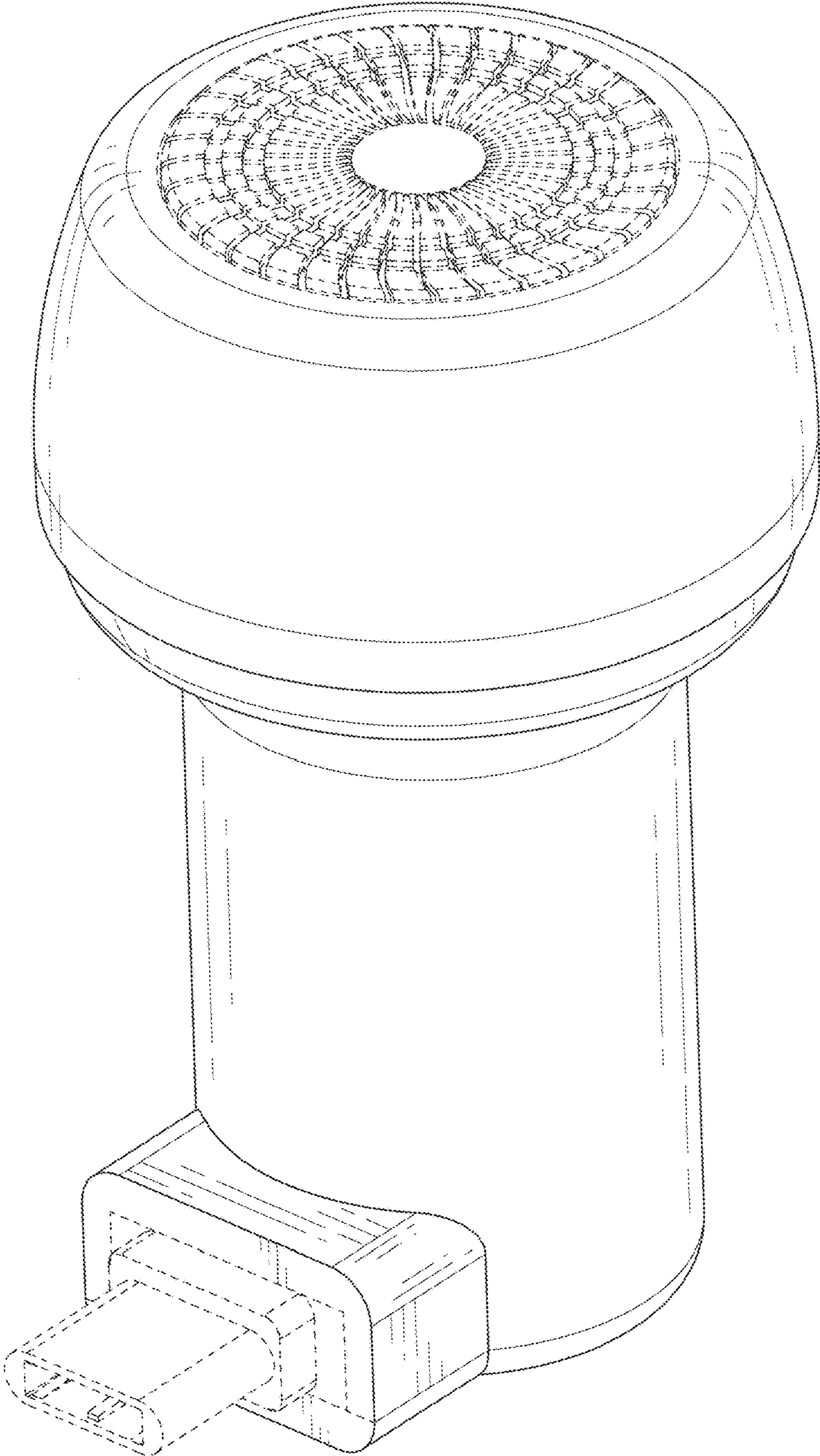


FIG.1

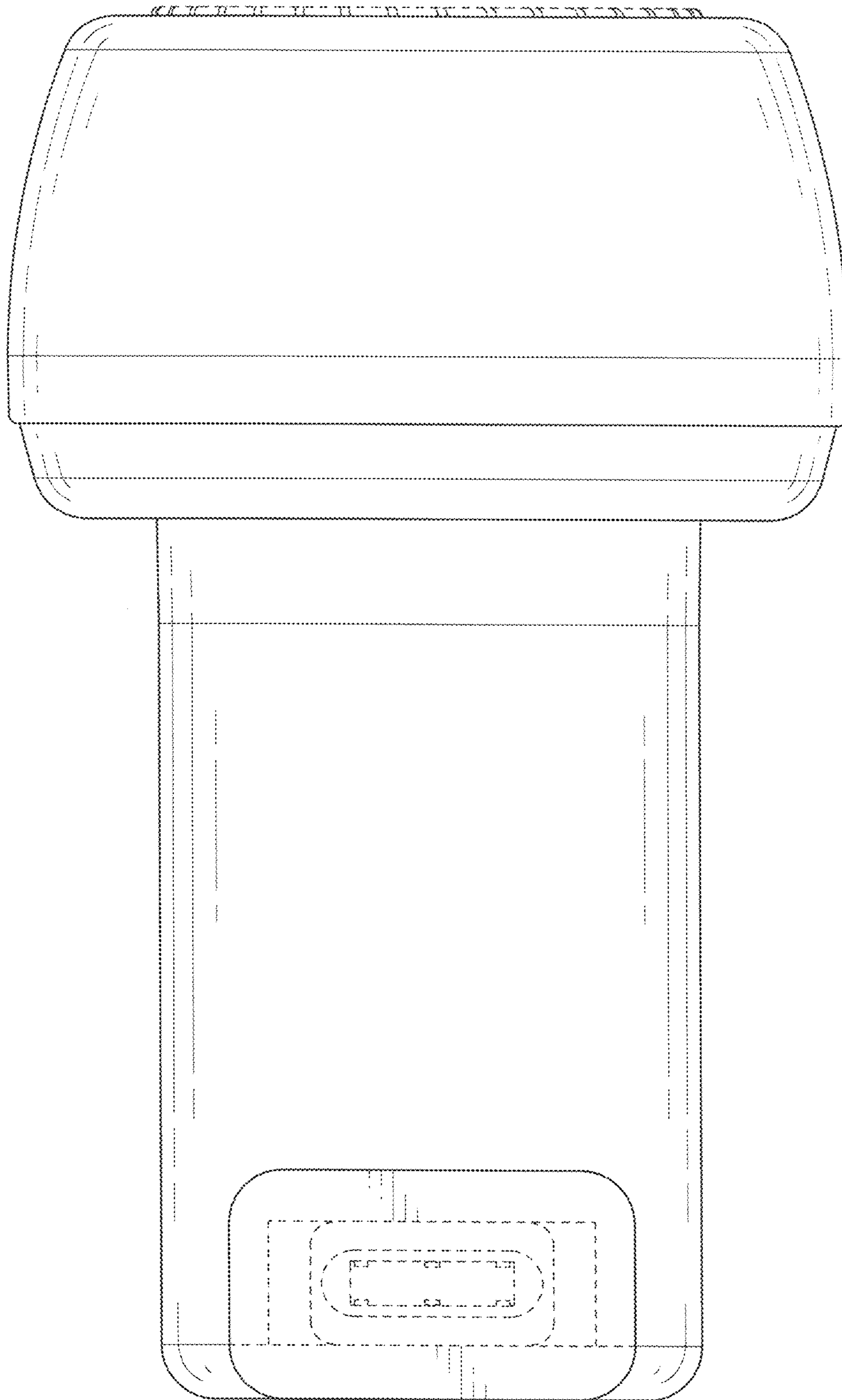


FIG.2

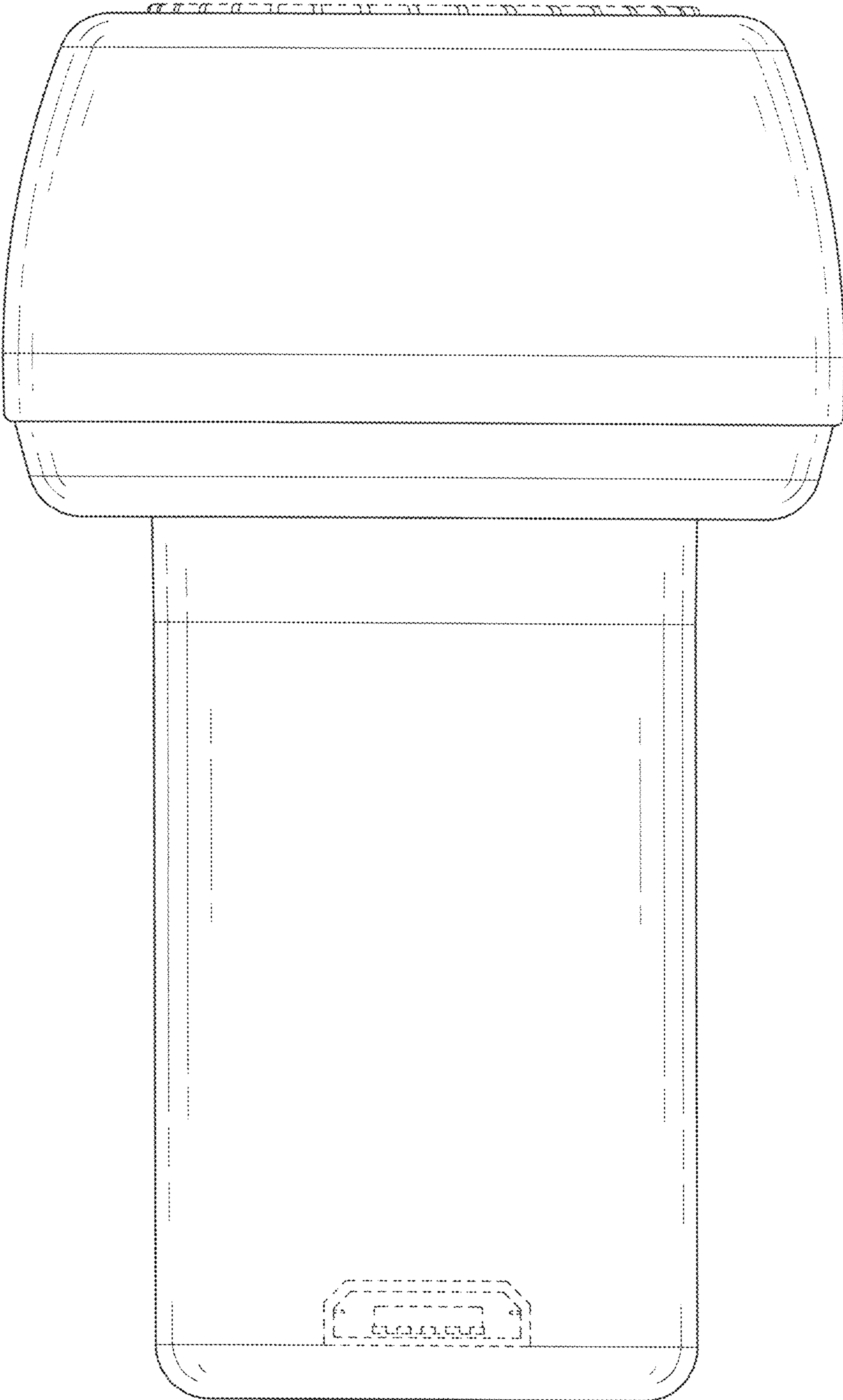


FIG.3

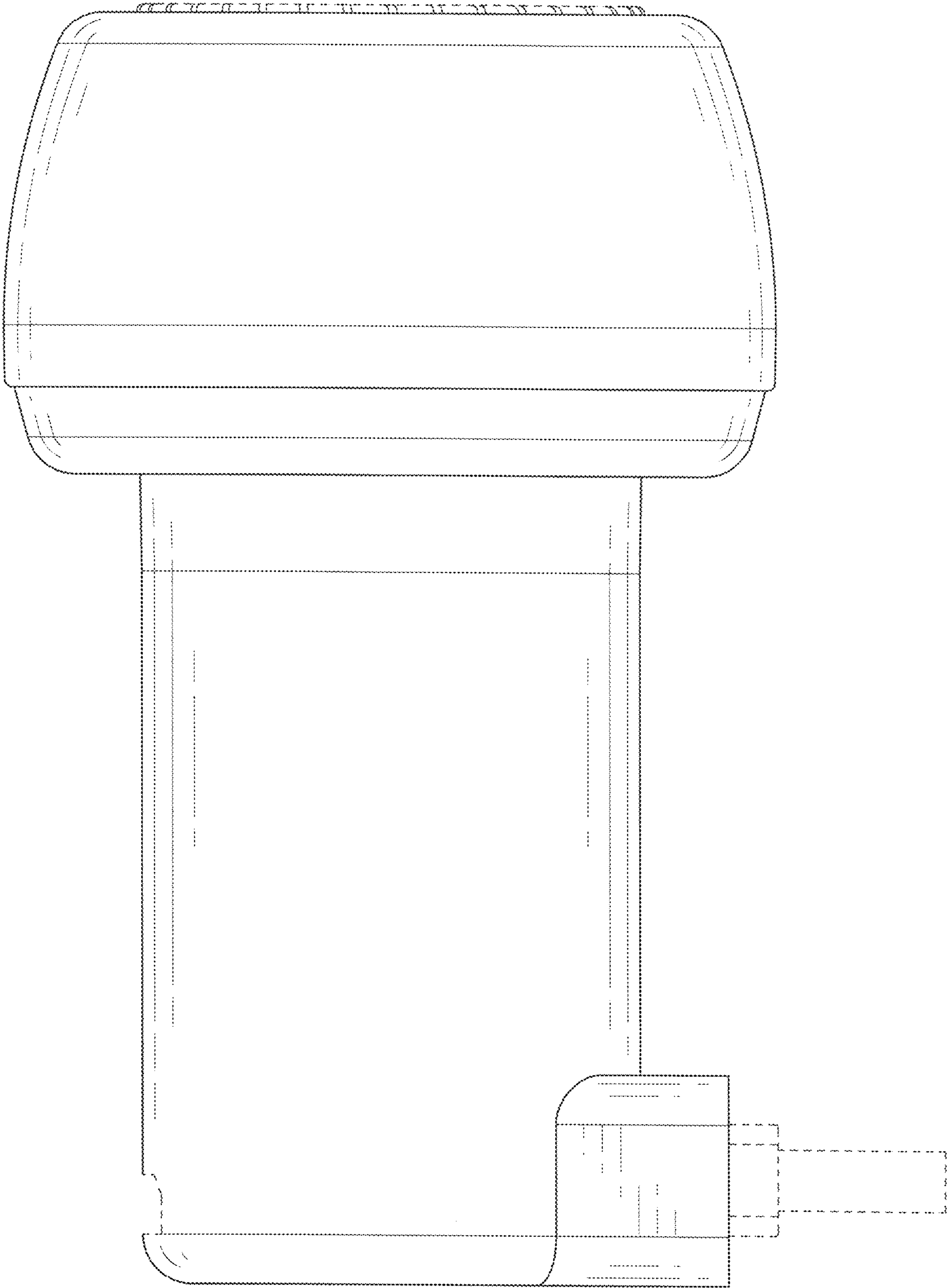


FIG.4

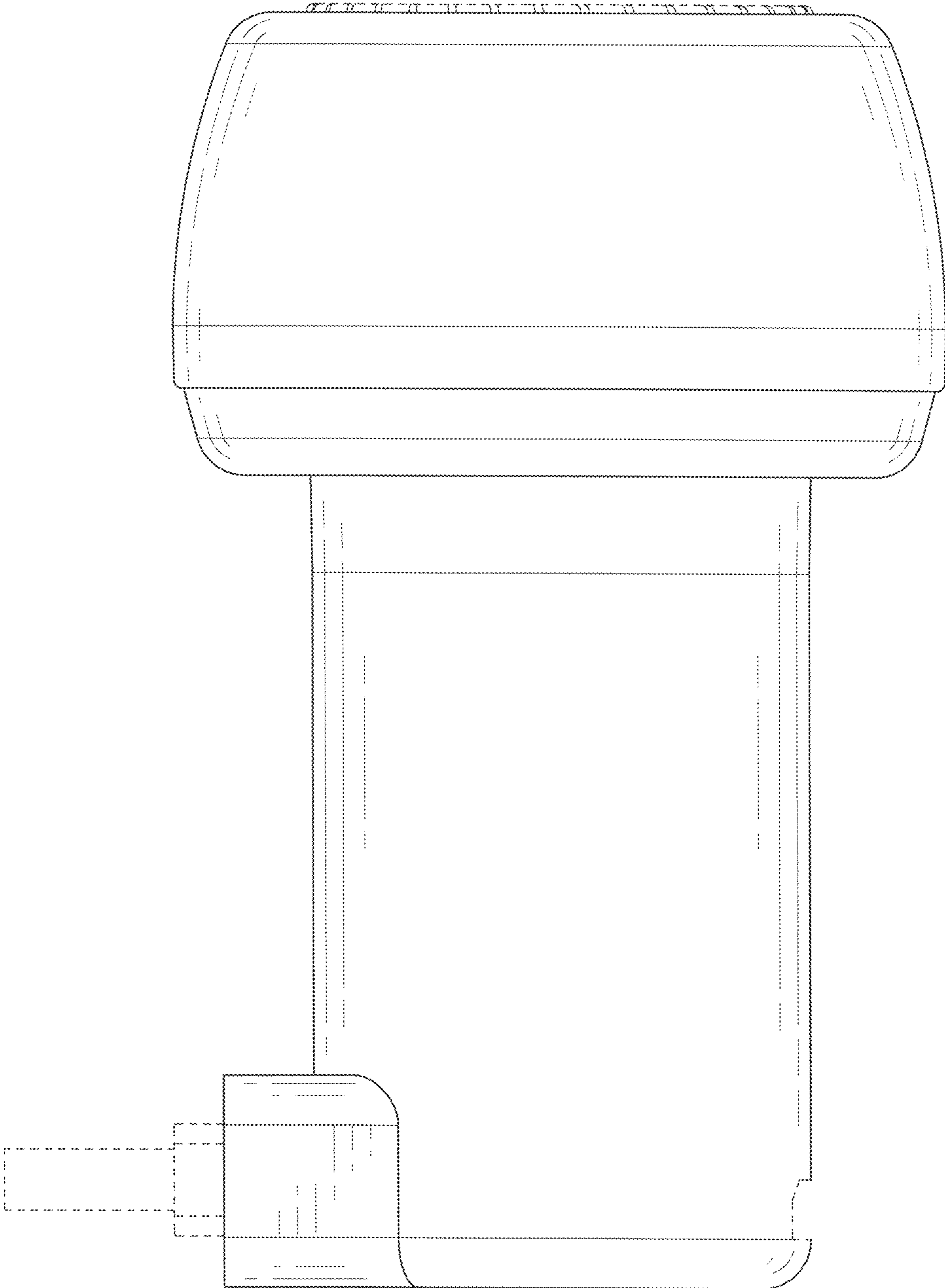


FIG.5

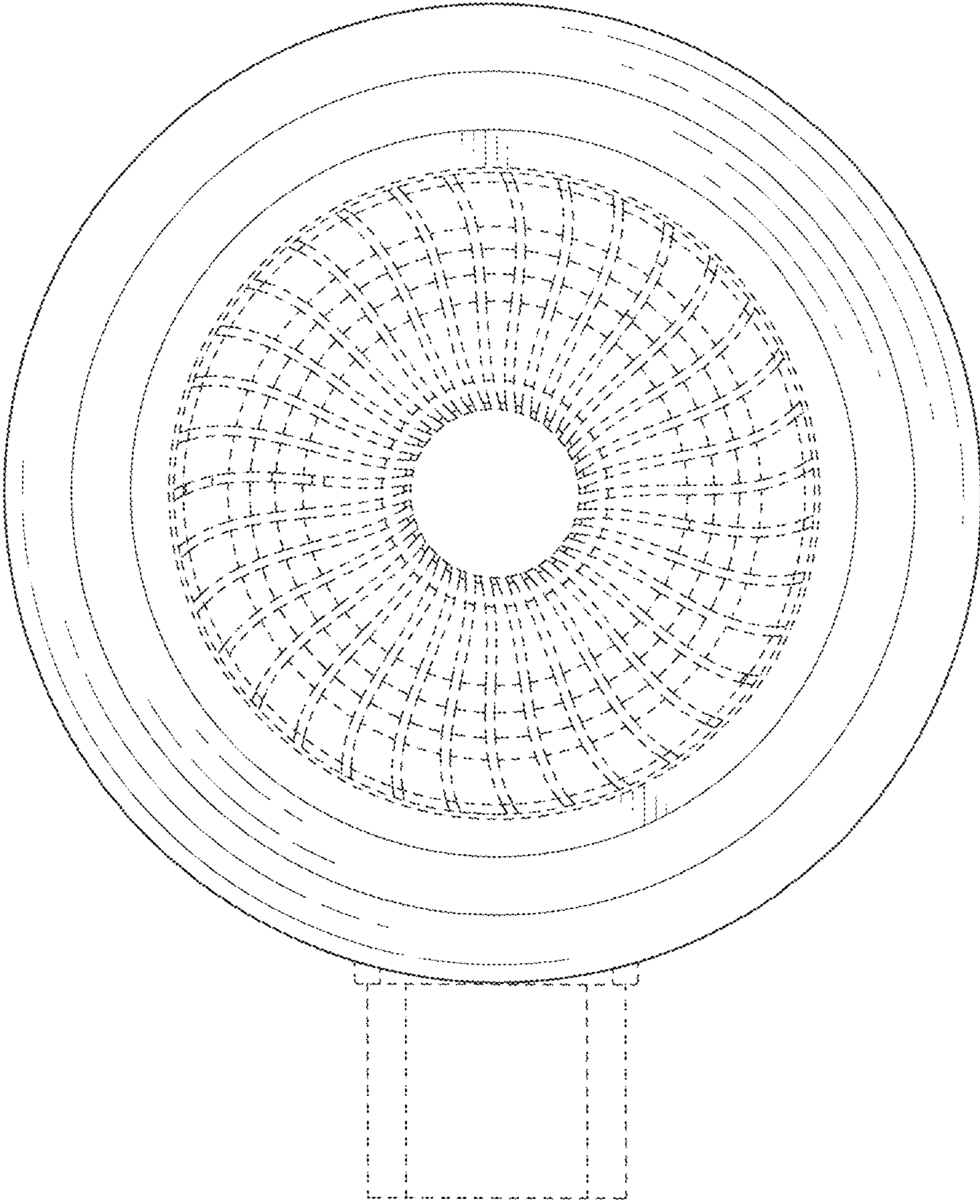


FIG.6

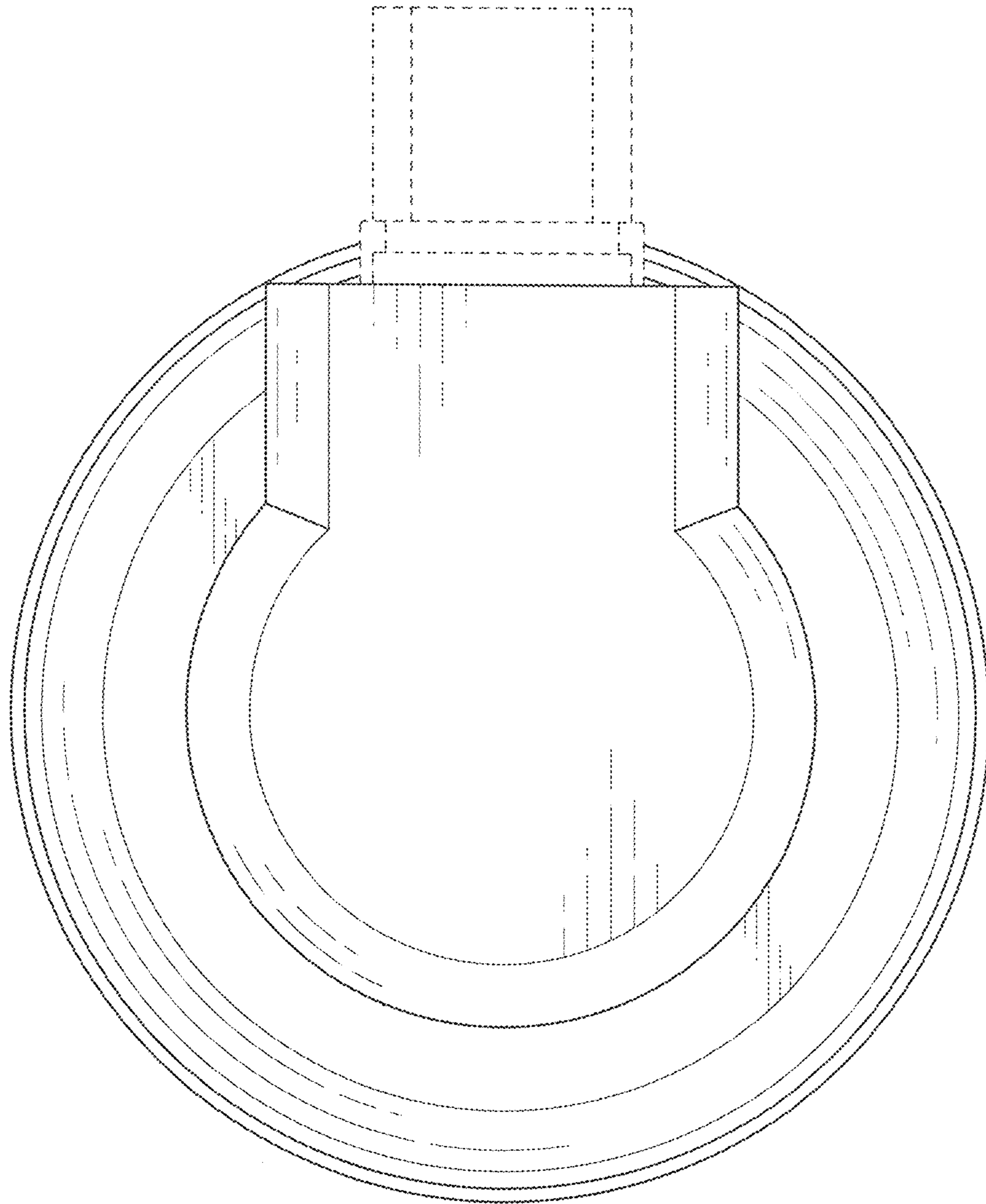


FIG. 7

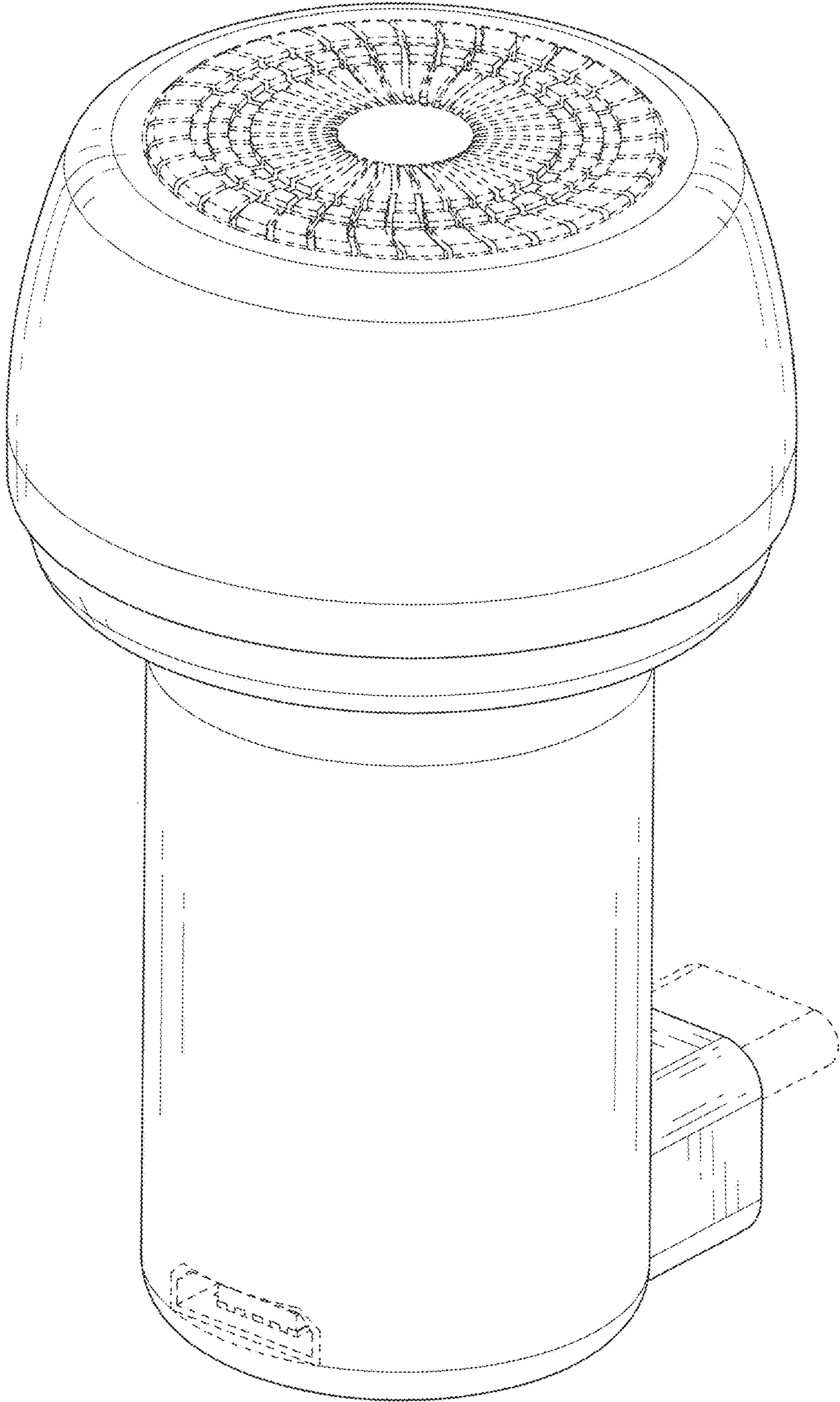


FIG.8

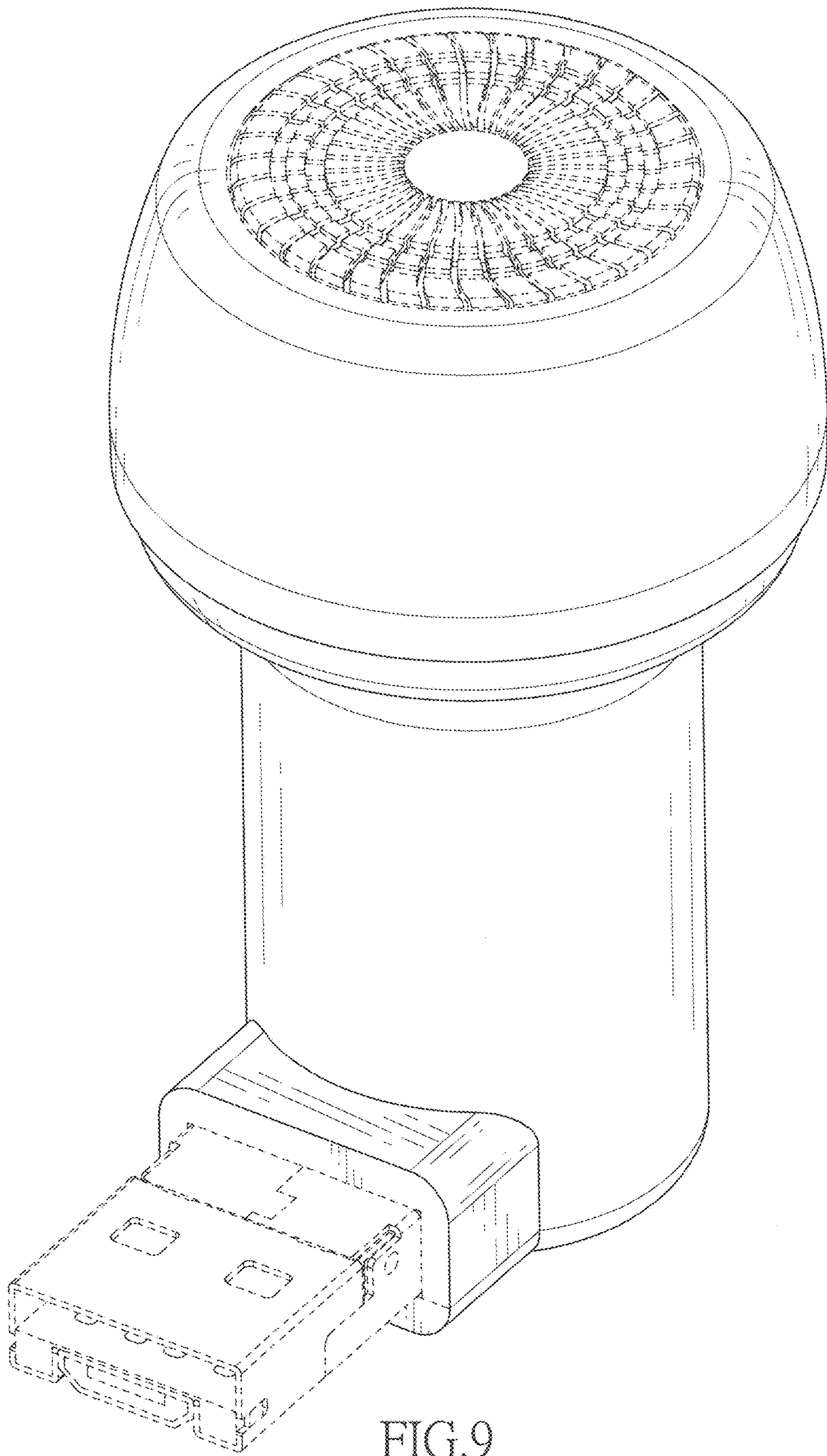


FIG.9

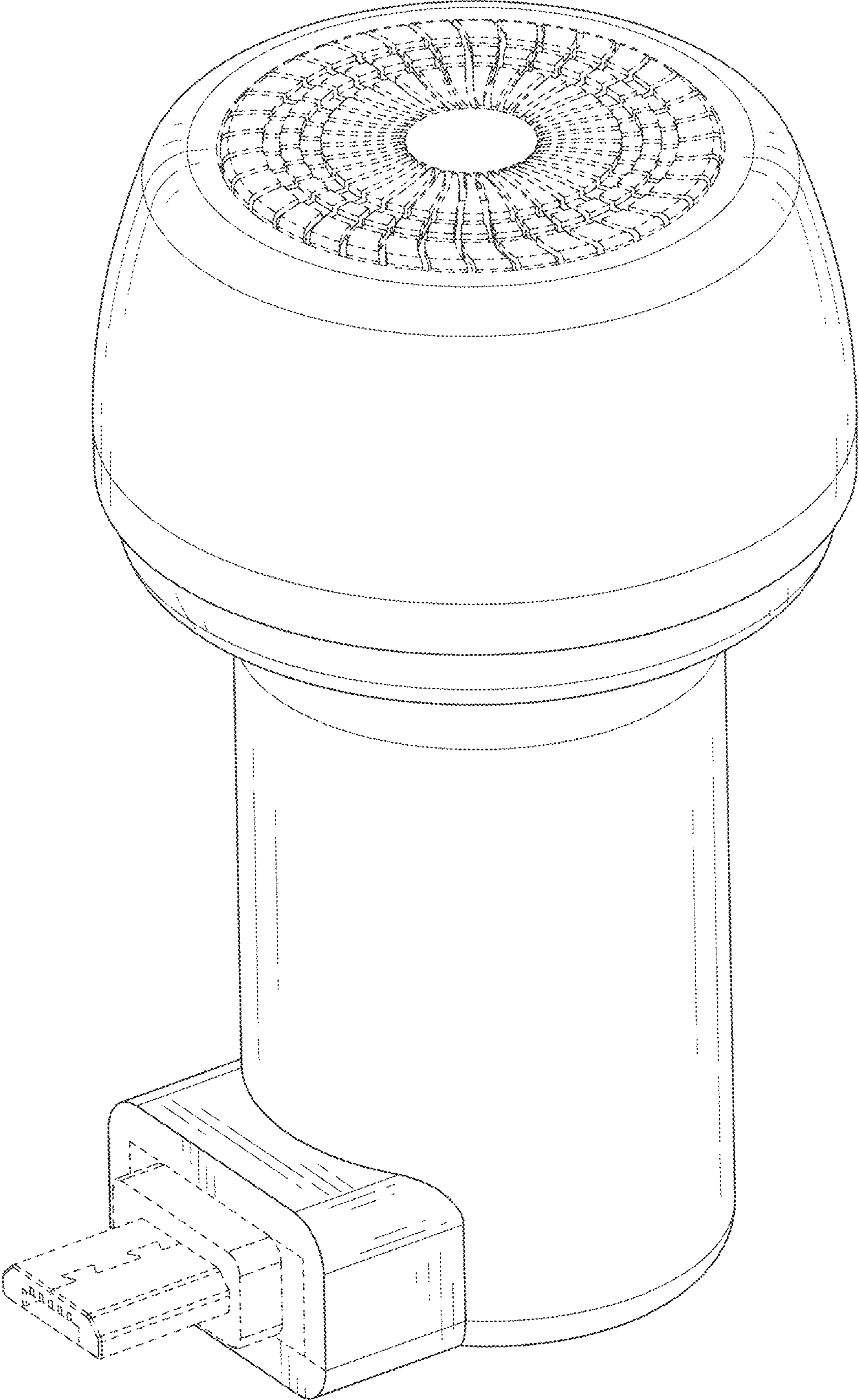


FIG.10