



US00D877984S

(12) **United States Design Patent** (10) **Patent No.:** **US D877,984 S**
Bittencourt et al. (45) **Date of Patent:** **** Mar. 10, 2020**

(54) **SAFETY RAZOR HANDLE**
(71) Applicant: **Super-Max Personal Care Pvt Ltd,**
Thane(W) (IN)
(72) Inventors: **Antonio Carlos Acatauassu**
Bittencourt, Curitiba (BR); **Yogesh**
Humbirrao Mohite, Pune (IN)
(73) Assignee: **Super-Max Personal Care Pvt Ltd,**
Thane(W) (IN)
(**) Term: **15 Years**
(21) Appl. No.: **29/660,966**
(22) Filed: **Aug. 23, 2018**
(30) **Foreign Application Priority Data**
Feb. 24, 2018 (IN) 302896
(51) **LOC (12) Cl.** **28-03**
(52) **U.S. Cl.**
USPC **D28/48**
(58) **Field of Classification Search**
USPC D28/46-48, 49-51
CPC ... B26B 21/00; B26B 21/08; B26B 21/14-38;
B26B 21/40; B26B 21/4006; B26B
21/4012-4031; B26B 21/4037; B26B
21/405-4056; B26B 21/4062; B26B
21/4068-4075; B26B 21/48; B26B
21/52-528
See application file for complete search history.

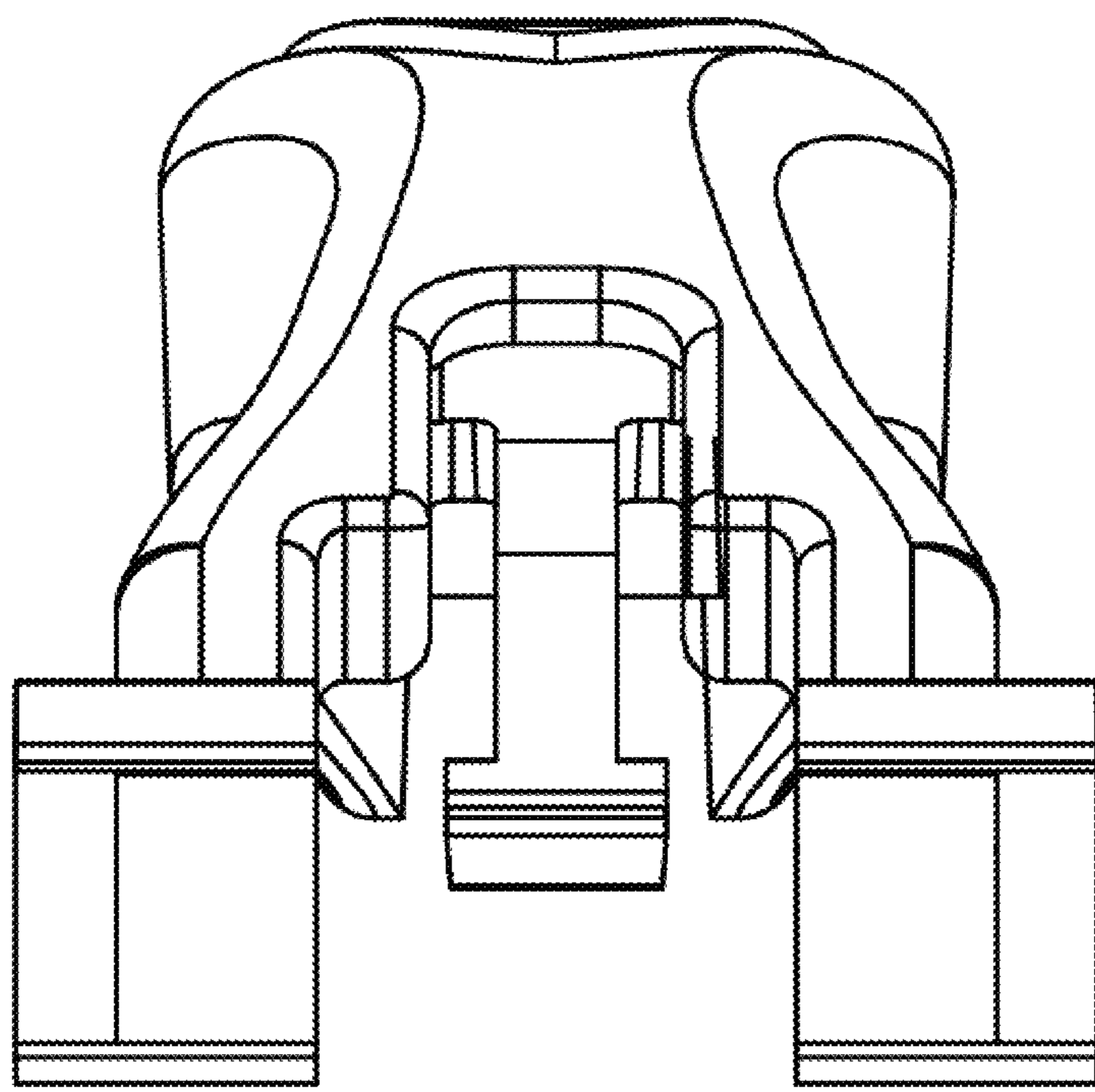
(56) **References Cited**
U.S. PATENT DOCUMENTS
D565,245 S * 3/2008 Wonderley D28/46
D636,938 S * 4/2011 White, Jr. D28/48
D731,709 S * 6/2015 Provost D28/48
D739,604 S * 9/2015 Christie D28/48
D739,980 S * 9/2015 Psimadas D28/48
D745,215 S * 12/2015 Go D28/48
D749,784 S * 2/2016 Go D28/48
D775,422 S * 12/2016 Faktorovich D28/46
D843,659 S * 3/2019 Go D28/48
* cited by examiner

Primary Examiner — Jennifer Rivard
(74) *Attorney, Agent, or Firm* — Davé Law Group, LLC;
Raj S. Davé

(57) **CLAIM**
The ornamental design for a safety razor handle, as shown
and described.

DESCRIPTION
FIG. 1 is a top plan view of the safety razor handle, showing
our new design;
FIG. 2 is a bottom plan view thereof;
FIG. 3 is a front elevation view thereof;
FIG. 4 is a right side elevation view thereof, the left side
view being a mirror image;
FIG. 5 is a rear elevation view thereof; and,
FIG. 6 is a front isometric view thereof.
The SUPERMAX forming part of the claimed design is a
registered trademark of Antonio Carlos Acatauassu Bitten-
court and Yogesh Humbirrao Mohite.

1 Claim, 6 Drawing Sheets



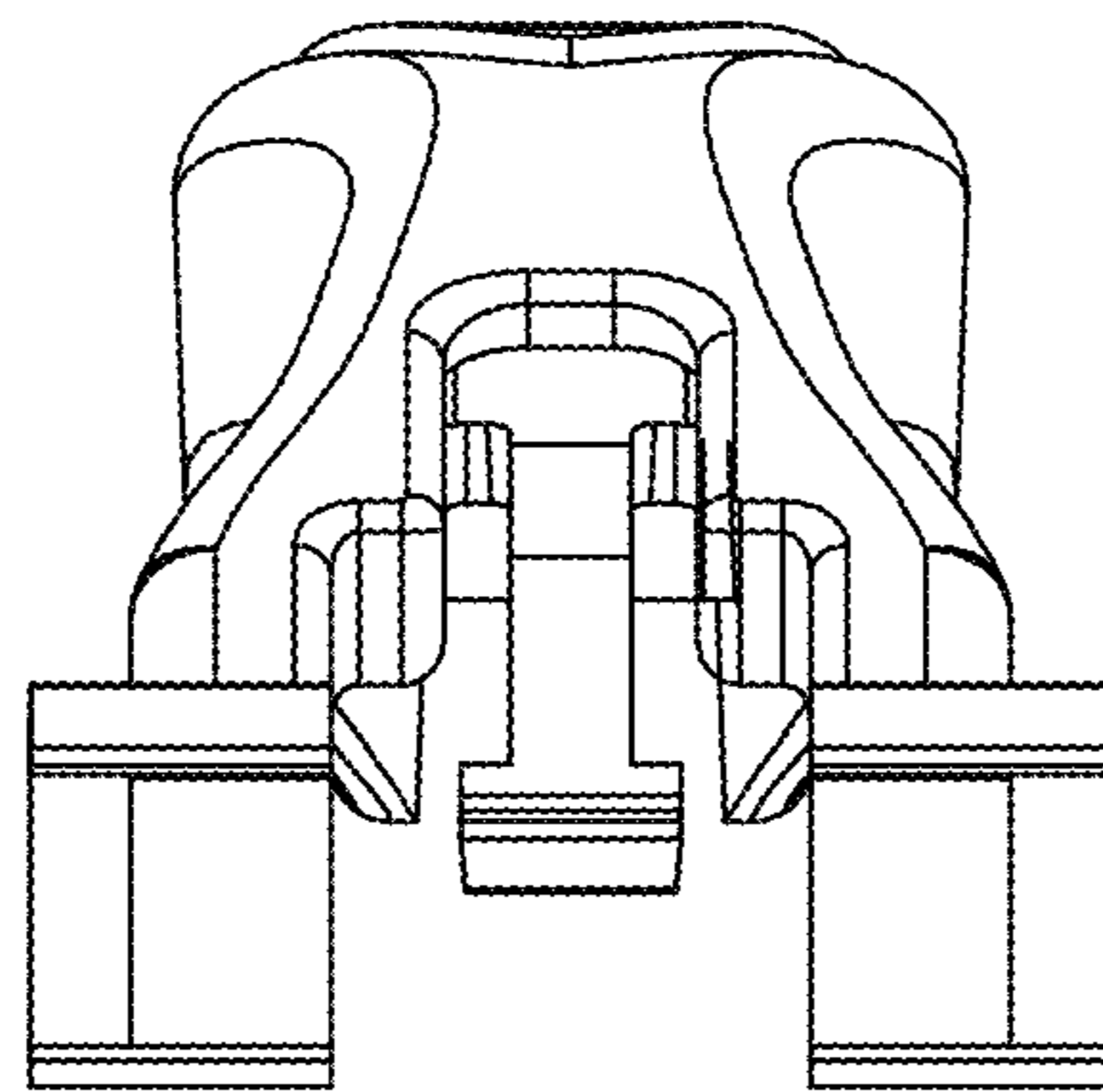


FIG. 1

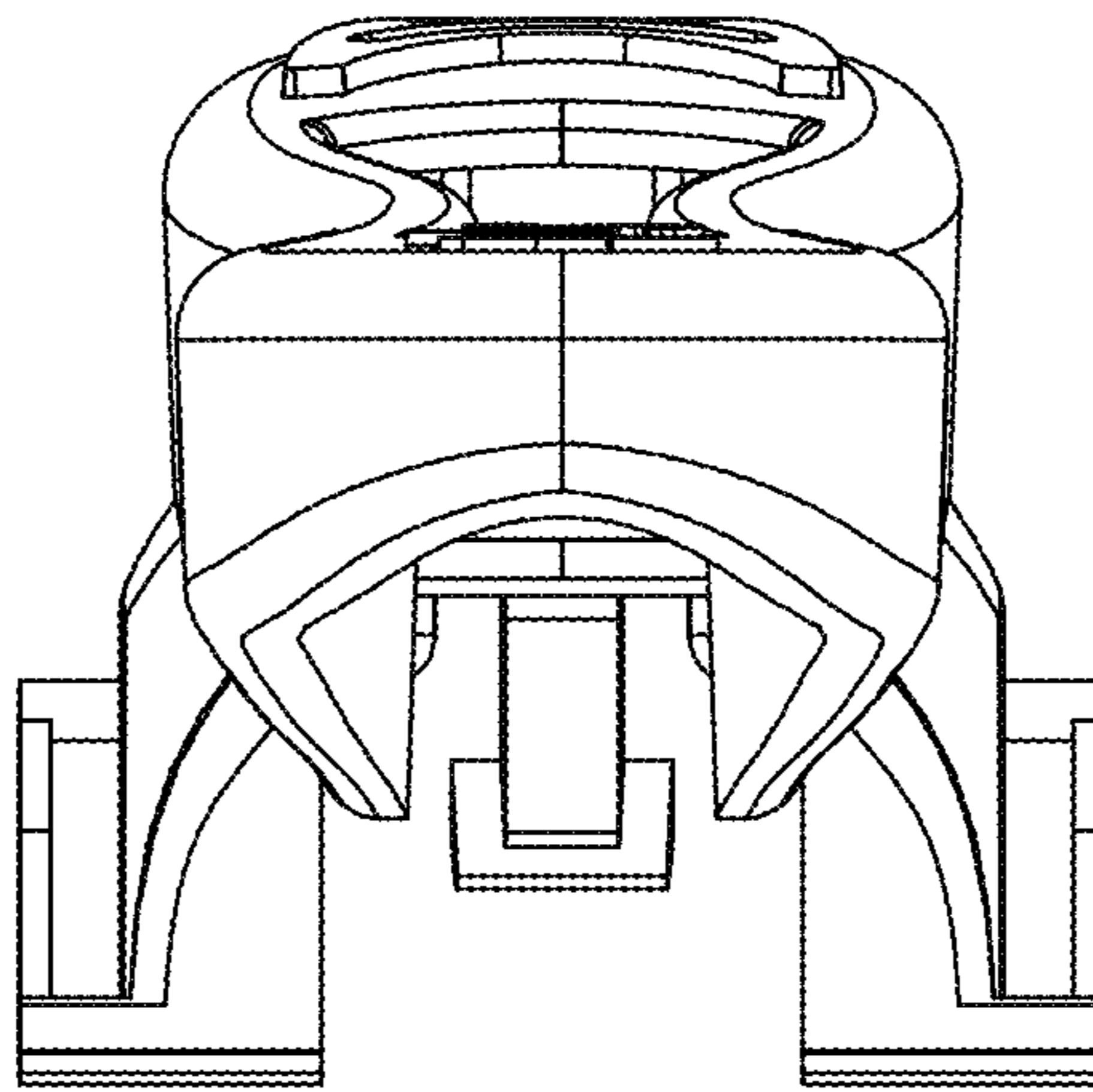


FIG. 2

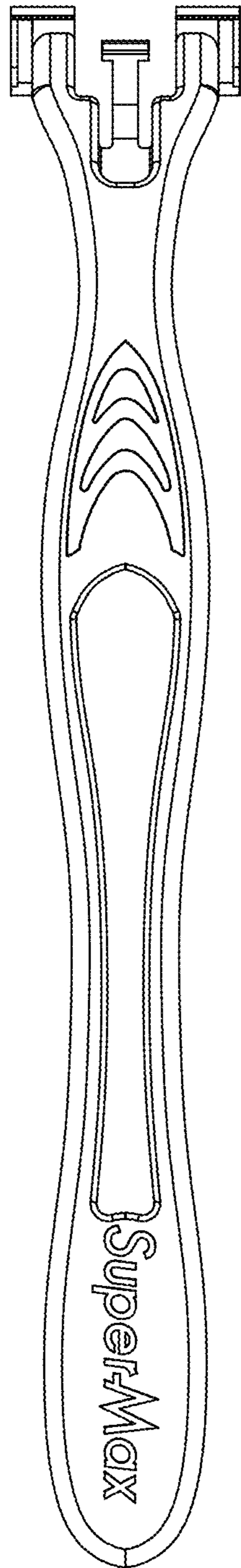


FIG. 3

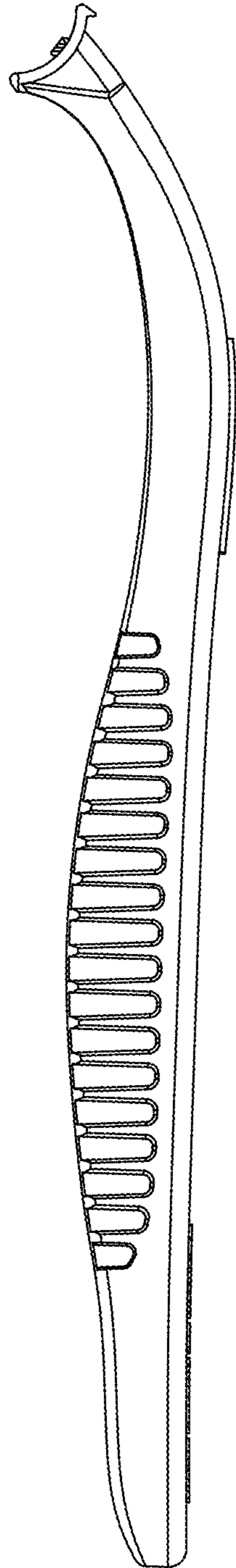


FIG. 4

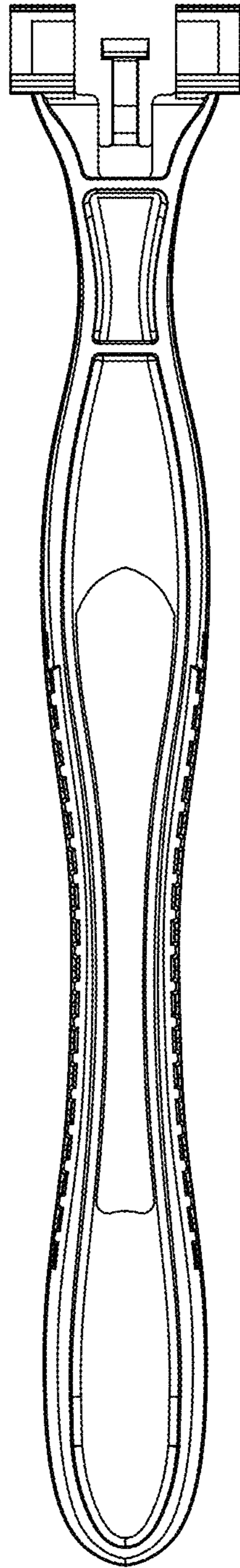


FIG. 5

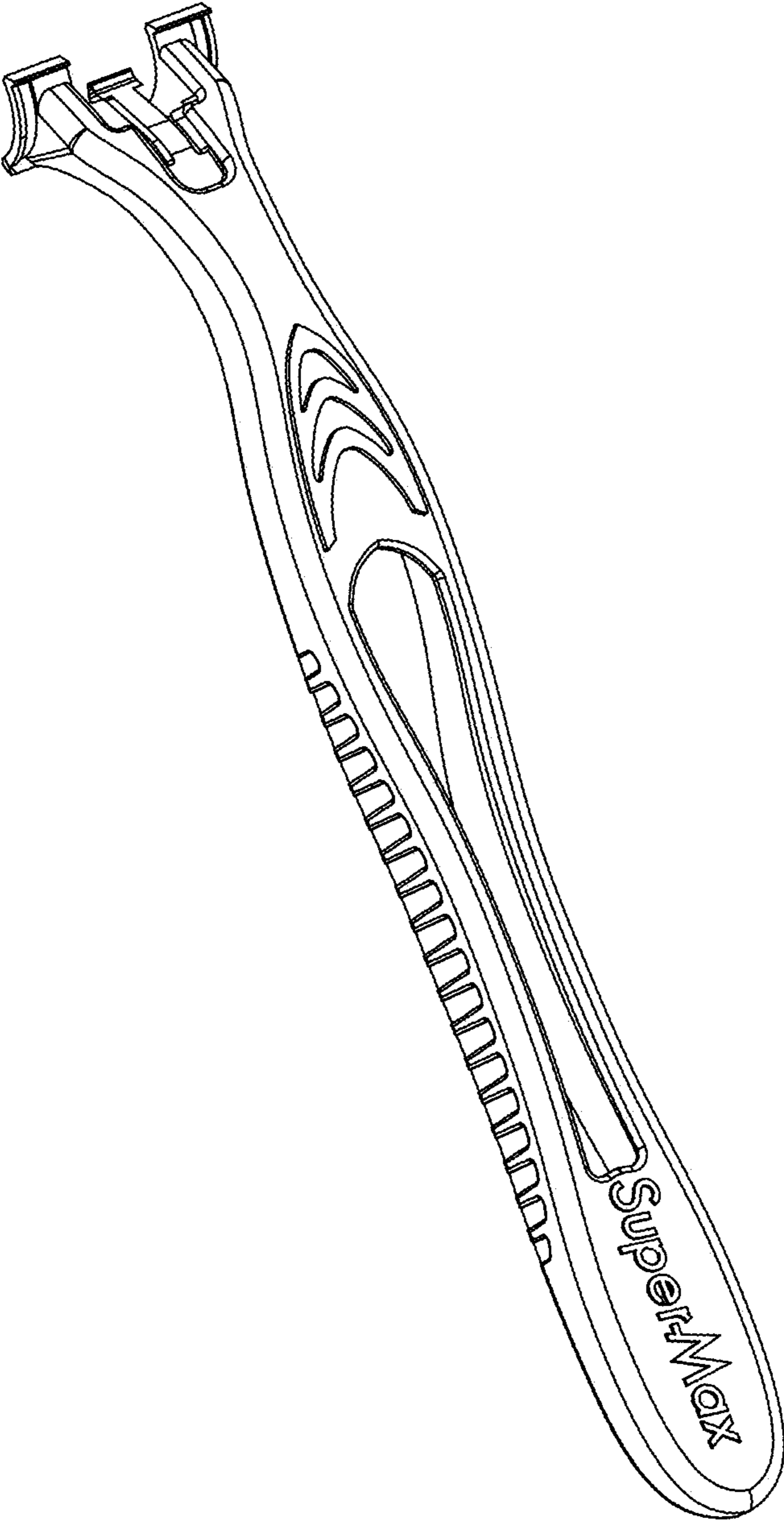


FIG. 6