



US00D877983S

(12) **United States Design Patent** (10) **Patent No.:** **US D877,983 S**
Walker, Jr. et al. (45) **Date of Patent:** **** Mar. 10, 2020**

(54) **SHAVING RAZOR CARTRIDGE**
(71) Applicant: **The Gillette Company**, Boston, MA (US)
(72) Inventors: **Vincent Paul Walker, Jr.**, Bridgewater, MA (US); **Alejandro Carlos Lee**, Cambridge, MA (US)
(73) Assignee: **The Gillette Company LLC**, Boston, MA (US)
(**) Term: **15 Years**
(21) Appl. No.: **29/577,063**
(22) Filed: **Sep. 9, 2016**
(51) **LOC (12) Cl.** **28-03**
(52) **U.S. Cl.**
USPC **D28/47**
(58) **Field of Classification Search**
USPC D28/46-48
CPC .. B26B 21/4012-4031; B26B 21/4043; B26B 21/54-60
See application file for complete search history.

(56) **References Cited**
U.S. PATENT DOCUMENTS
D563,044 S * 2/2008 Ramm D28/47
D575,454 S * 8/2008 Keene et al.
D604,904 S * 11/2009 Watson D28/47
D617,947 S * 6/2010 Lukan D28/47
D617,949 S * 6/2010 Lukan D28/47
D631,198 S * 1/2011 Adams D28/47
7,882,610 B2 * 2/2011 Gratsias B26B 21/222
29/524.1
D638,580 S * 5/2011 Adams D28/46
D665,948 S * 8/2012 Jessemey D28/47
8,307,553 B2 * 11/2012 Folio B26B 21/225
30/41
8,726,518 B2 * 5/2014 Bruno B26B 21/222
30/34.2

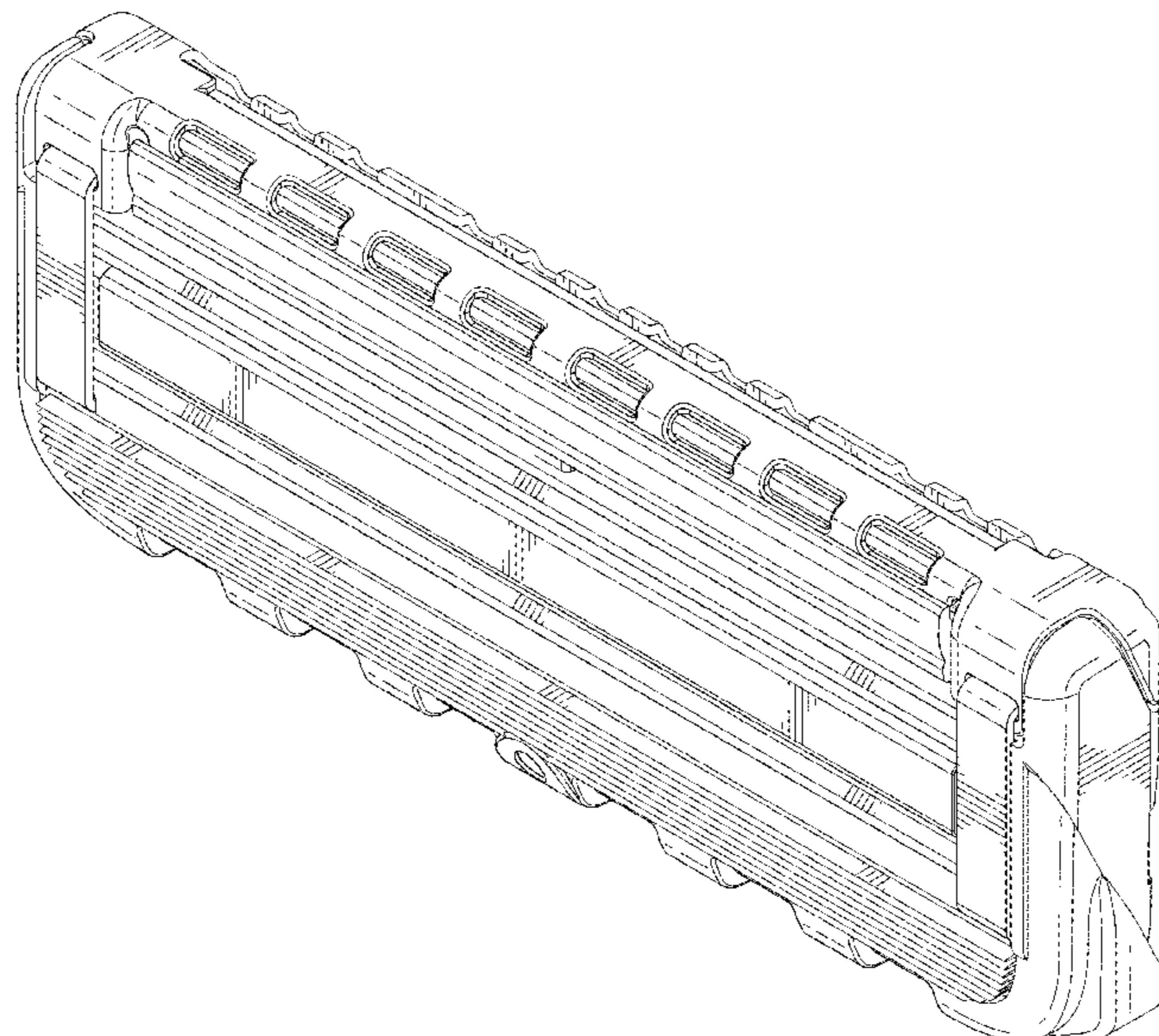
D707,885 S * 6/2014 Cataudella D28/47
D741,008 S * 10/2015 Bruno D28/47
D741,546 S * 10/2015 Witkus D28/47
D744,165 S * 11/2015 Tucker D28/47
D749,265 S * 2/2016 Cataudella D28/47
D764,101 S * 8/2016 Cataudella D28/47
D772,484 S * 11/2016 Otsuka D28/47
D776,875 S * 1/2017 Ren D28/47
D779,121 S * 2/2017 Bruno D28/47
10,155,320 B2 * 12/2018 Ren B26B 21/4012
2003/0217470 A1 * 11/2003 Follo B26B 21/4018
30/81
2011/0146079 A1 6/2011 Clarke et al.
(Continued)

Primary Examiner — Jennifer Rivard
(74) *Attorney, Agent, or Firm* — John M. Lipchitz

(57) **CLAIM**
The ornamental design for a shaving razor cartridge, as shown and described.

DESCRIPTION
FIG. 1 is a perspective view of a shaving razor cartridge showing our new design;
FIG. 2 is a top view thereof;
FIG. 3 is a right view thereof;
FIG. 4 is a left view thereof;
FIG. 5 is a rear view thereof;
FIG. 6 is a front view thereof;
FIG. 7 is a perspective view of a second embodiment of a shaving razor cartridge;
FIG. 8 is a top view thereof;
FIG. 9 is a right view thereof;
FIG. 10 is a left view thereof;
FIG. 11 is a rear view thereof; and,
FIG. 12 is a front view thereof.
The broken lines illustrate portions of the shaving razor cartridge and form no part of the claimed design.

1 Claim, 8 Drawing Sheets



(56)

References Cited

U.S. PATENT DOCUMENTS

2014/0331500 A1* 11/2014 Ren B26B 21/34
30/41
2015/0158190 A1* 6/2015 Georgakis B26B 21/222
30/50
2015/0158191 A1* 6/2015 Jeong B26B 21/4018
30/41
2016/0297086 A1* 10/2016 Efthimiadis B26B 21/4012
2016/0332313 A1* 11/2016 O'Connor B26B 21/225
2017/0028577 A1* 2/2017 Ntavos B26B 21/4012
2017/0151683 A1* 6/2017 Bozikis B26B 21/227
2017/0151684 A1* 6/2017 Bozikis B26B 21/227
2017/0217033 A1* 8/2017 Tucker B26B 21/4031
2017/0341247 A1* 11/2017 Zafiroopoulos B26B 21/4012
2017/0348866 A1* 12/2017 Psimadas B26B 21/4043
2018/0345511 A1* 12/2018 Clarke B26B 21/222
2019/0202076 A1* 7/2019 Park B26B 21/225
2019/0299455 A1* 10/2019 Patel B26B 21/225
2019/0299464 A1* 10/2019 Washington B26B 21/446
2019/0299472 A1* 10/2019 Johnson B26B 21/4043

* cited by examiner

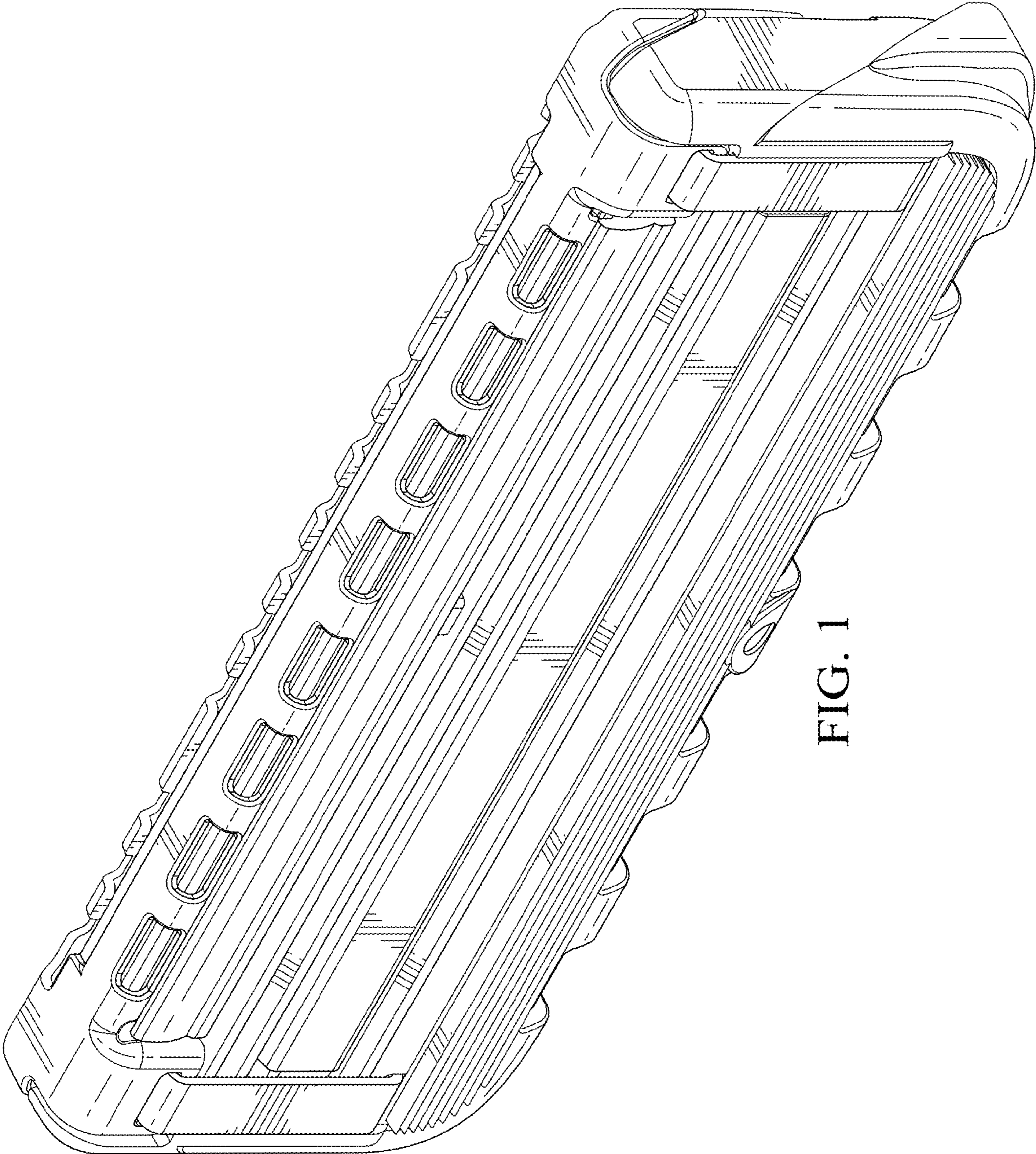


FIG. 1

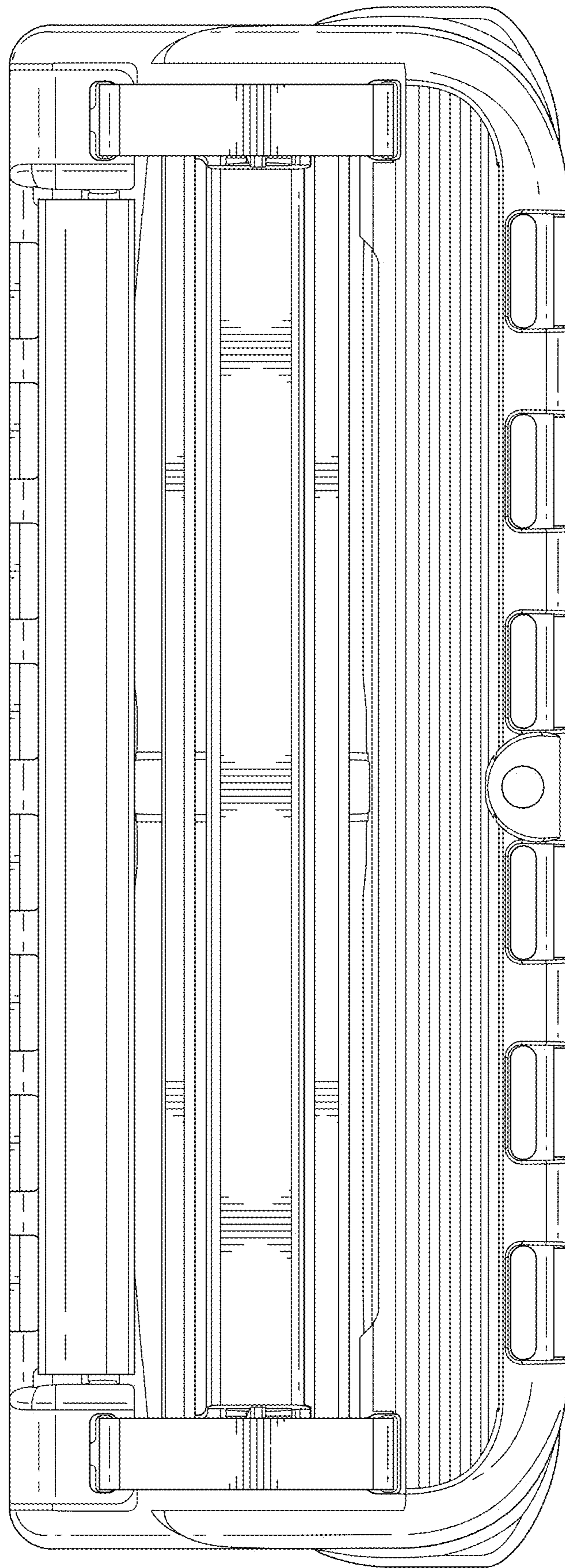


FIG. 2

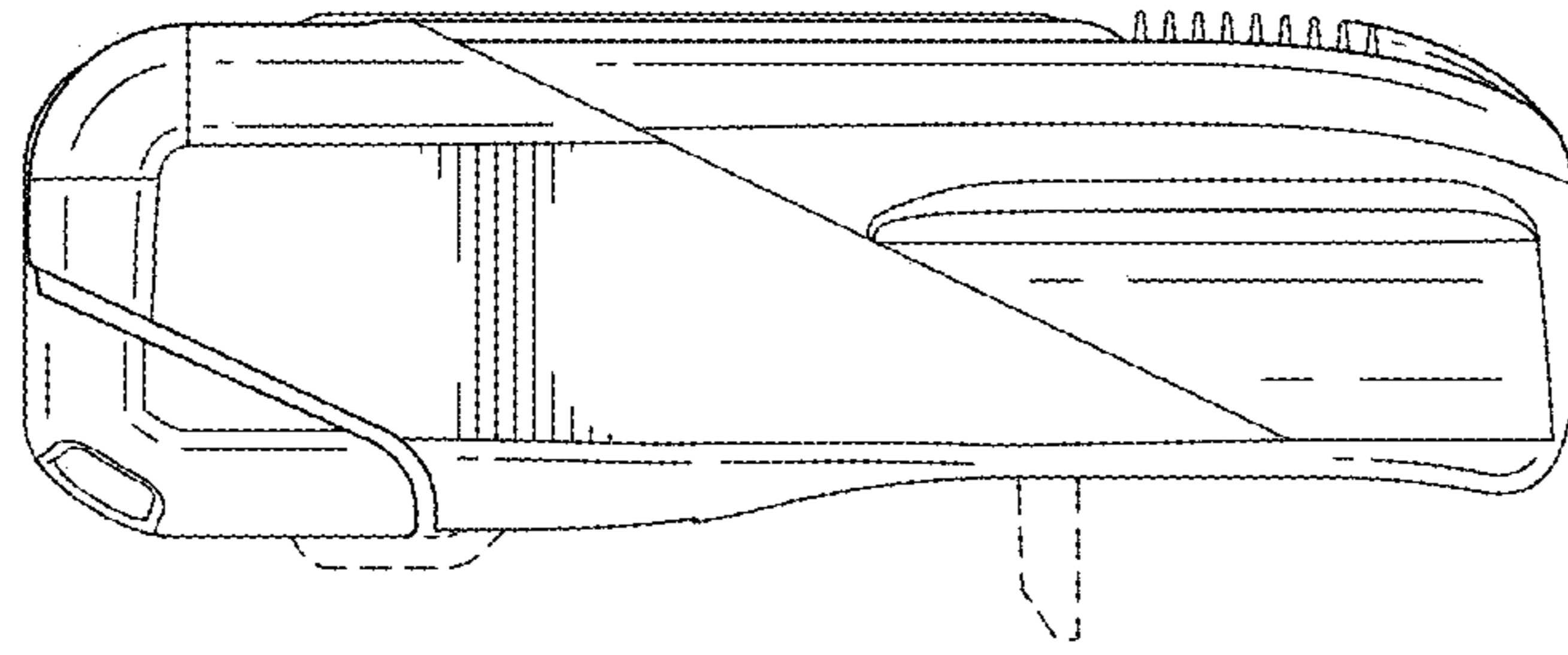


FIG. 4

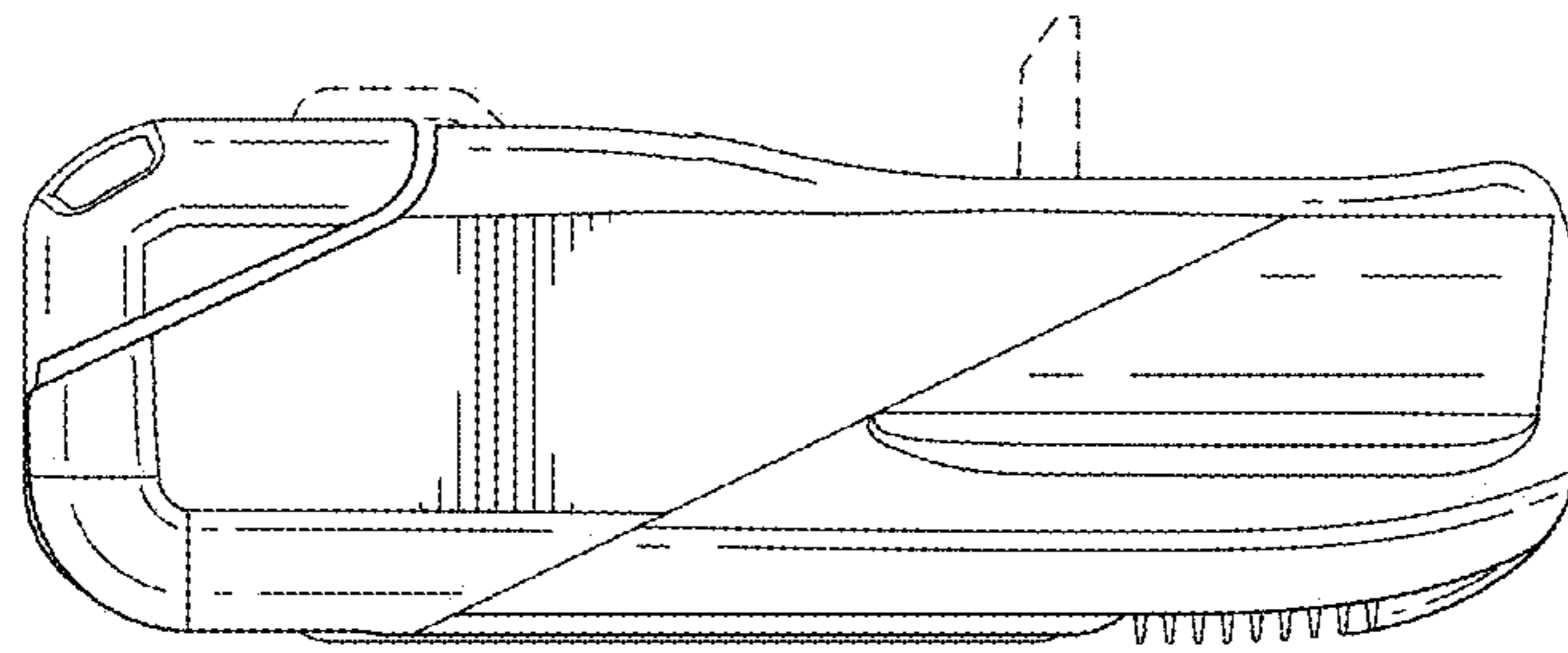


FIG. 3

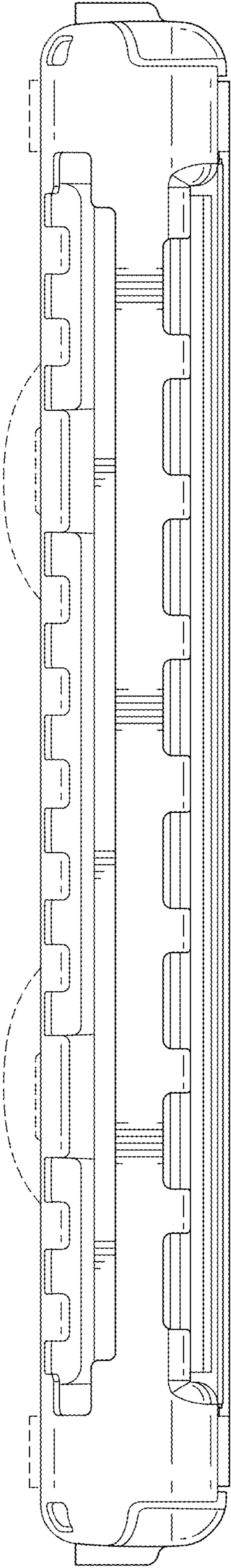


FIG. 5

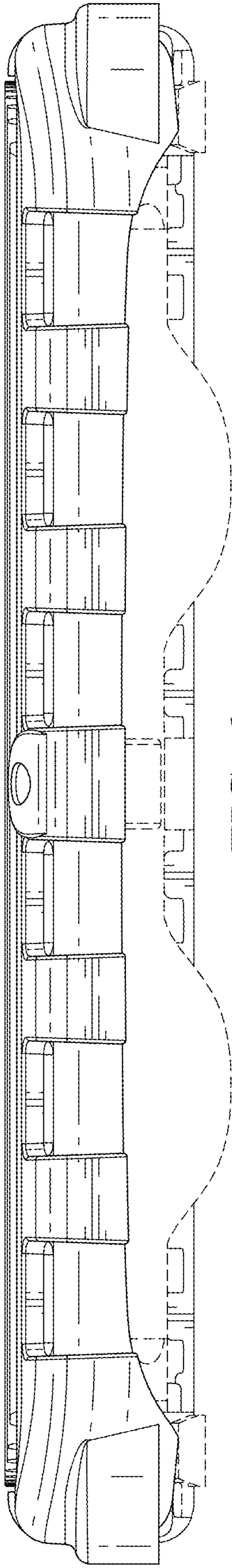


FIG. 6

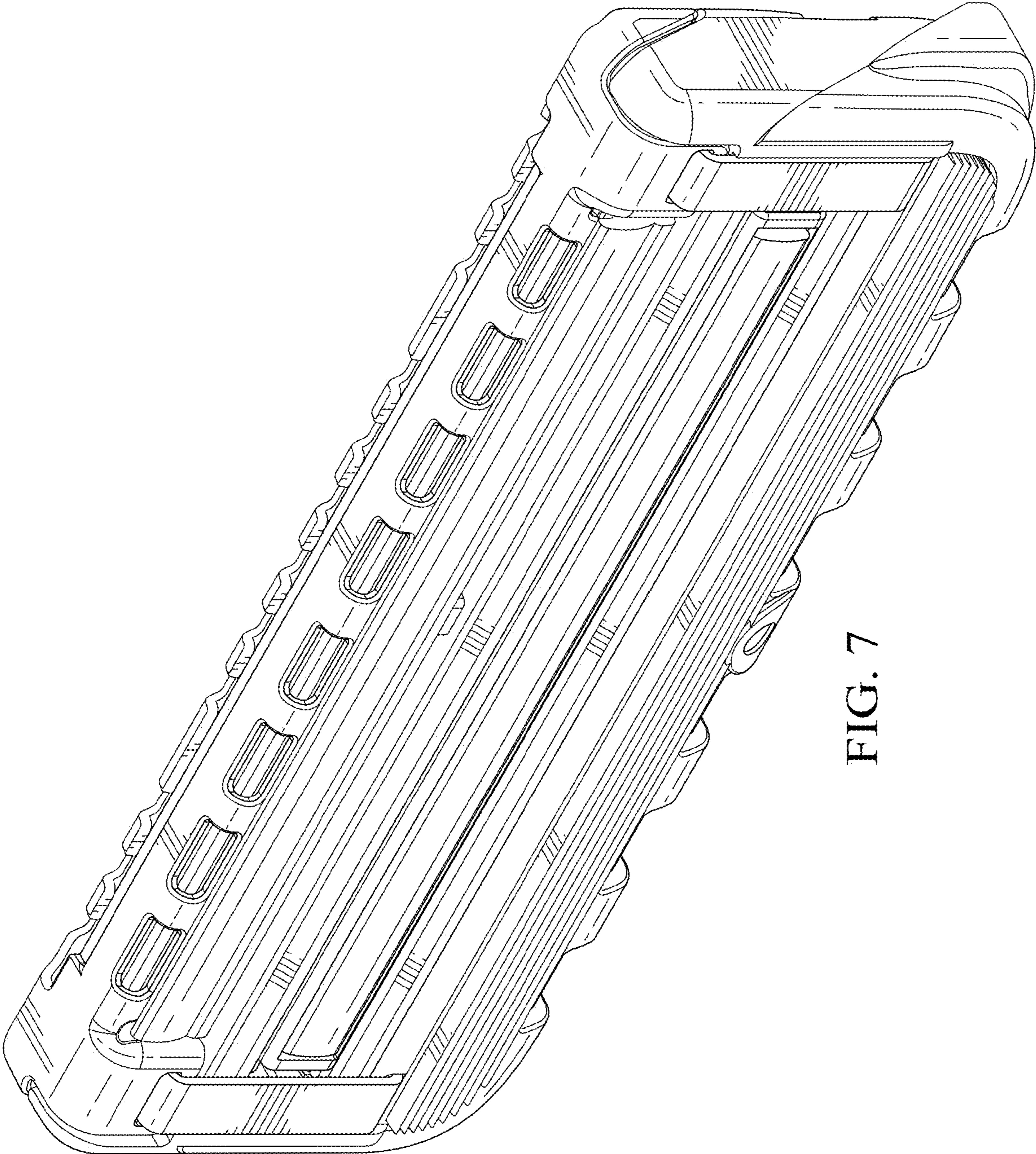


FIG. 7

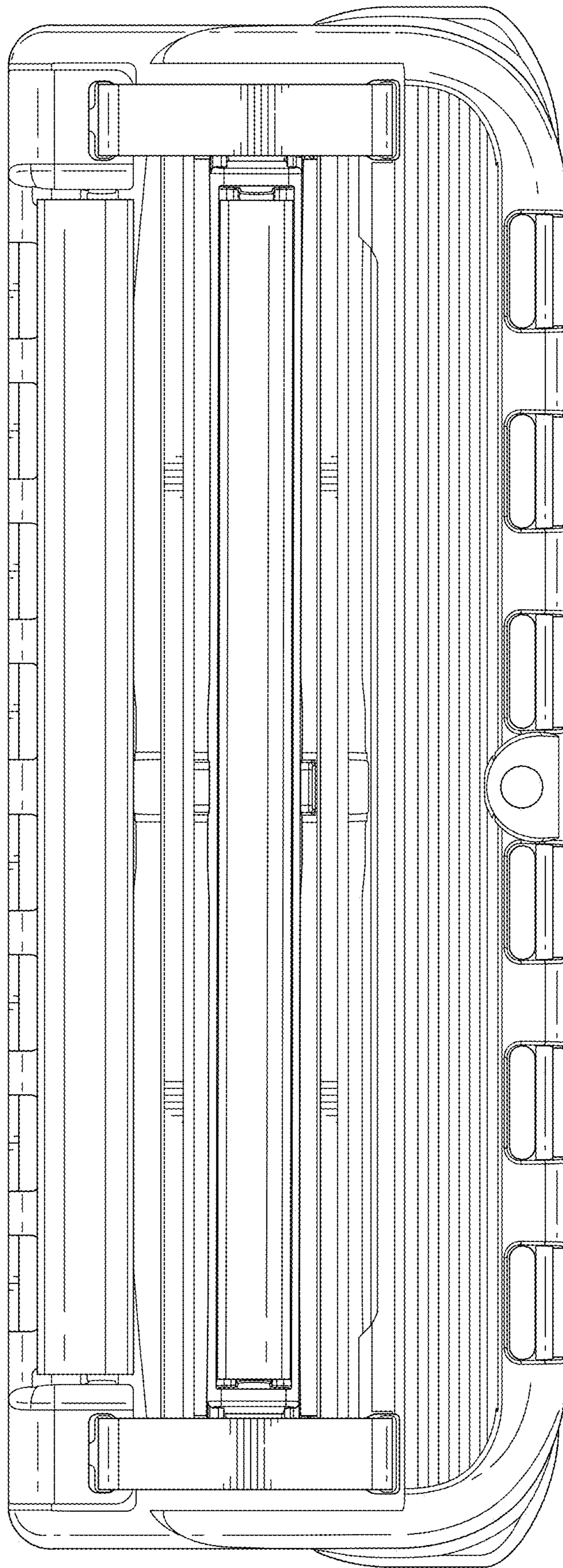


FIG. 8

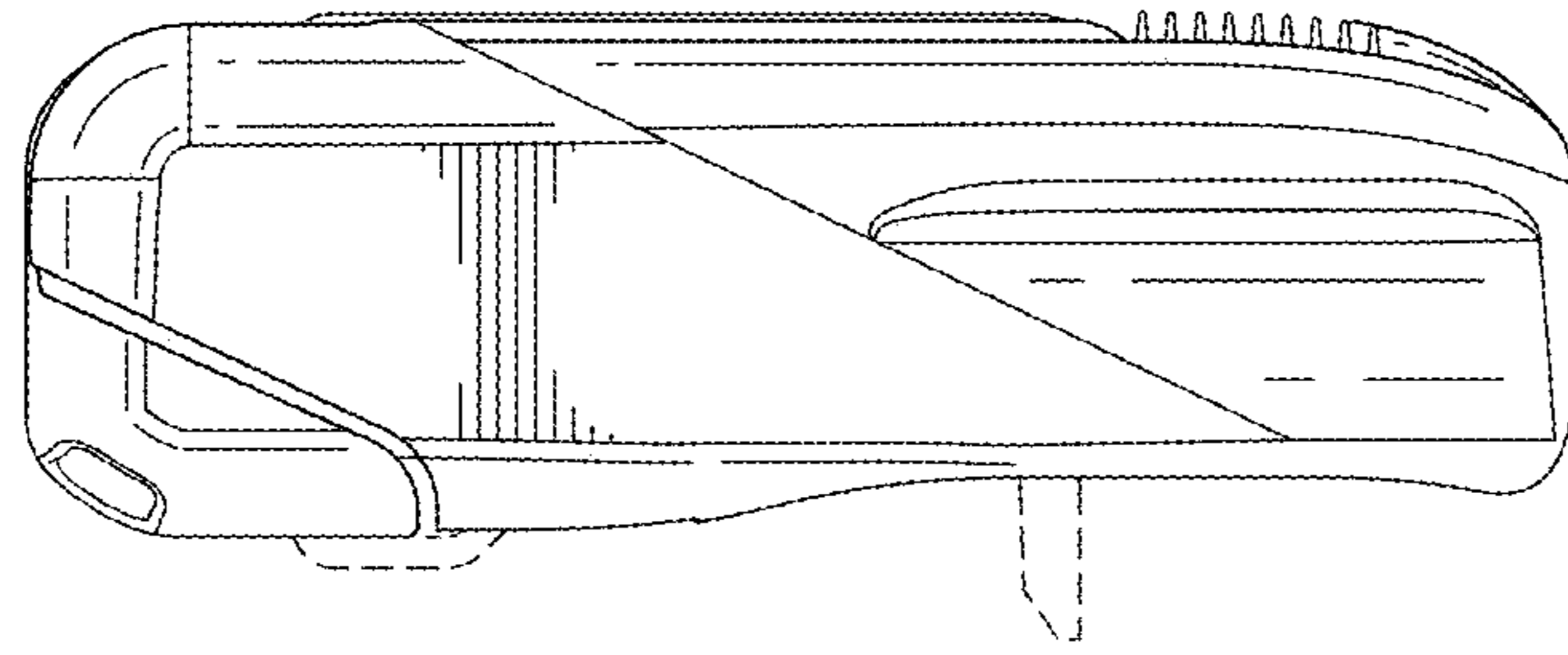


FIG. 10

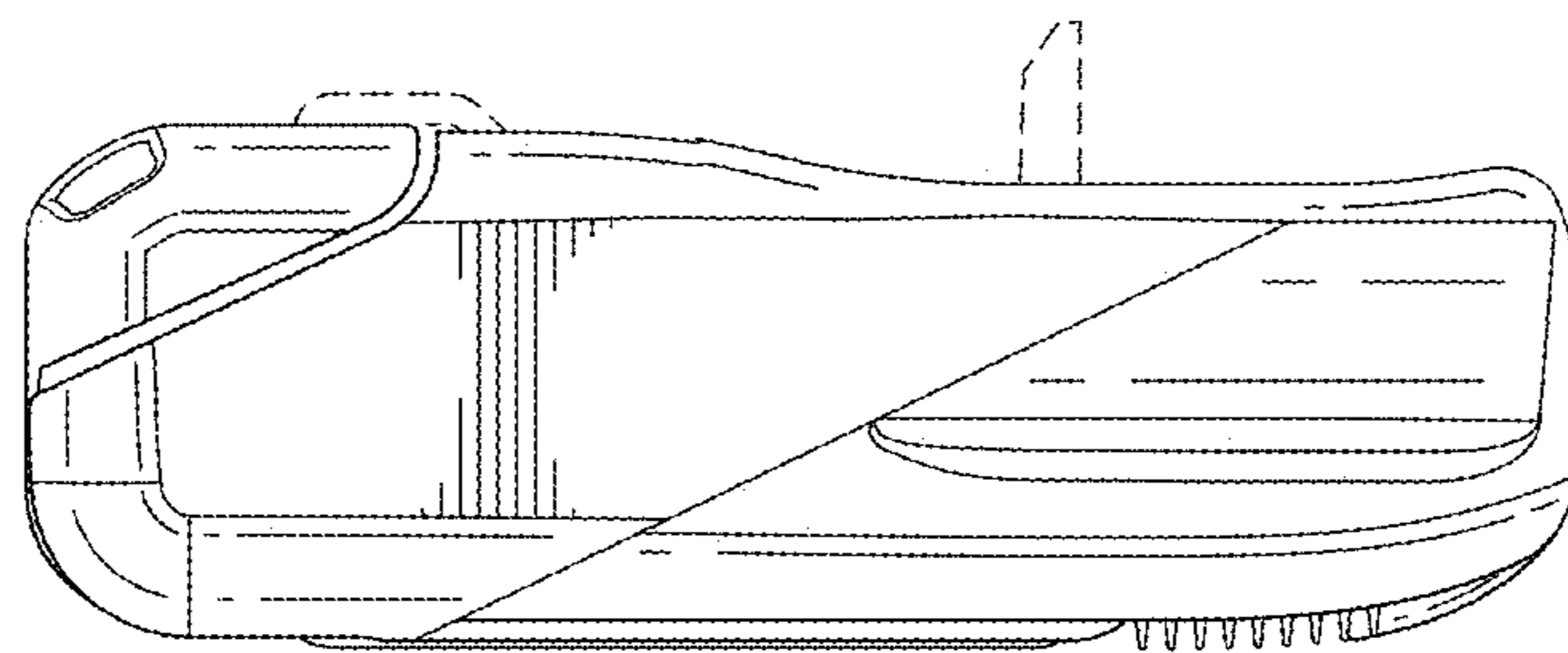


FIG. 9

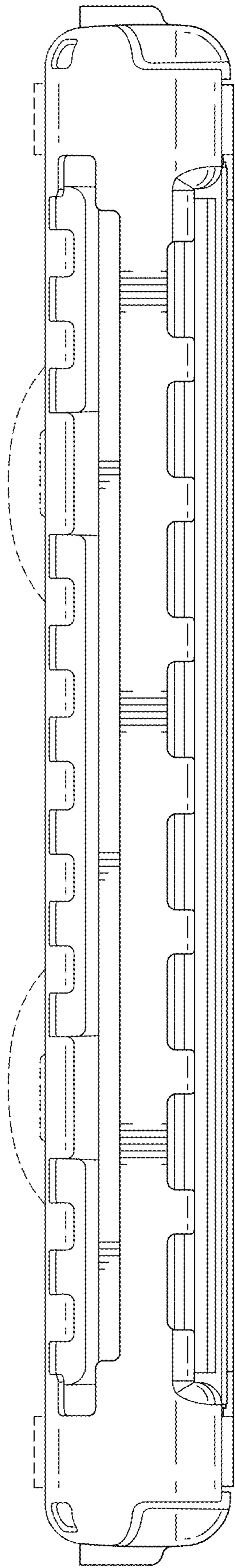


FIG. 11

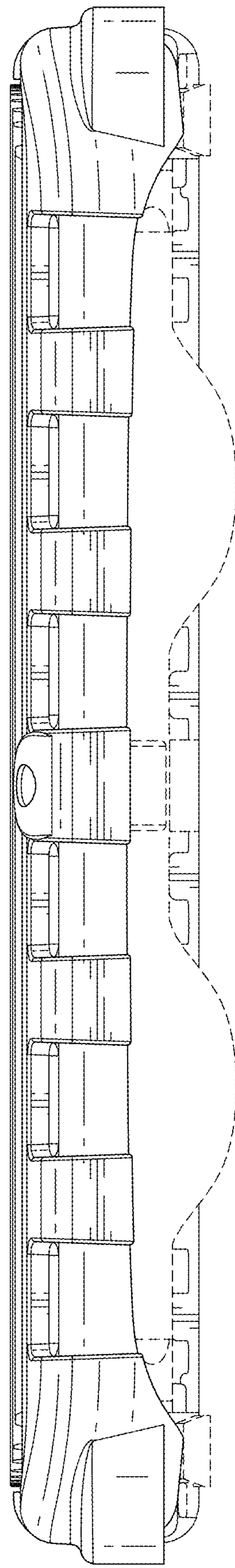


FIG. 12