



US00D877982S

(12) **United States Design Patent** (10) **Patent No.:** **US D877,982 S**  
**Bittencourt et al.** (45) **Date of Patent:** **\*\* Mar. 10, 2020**

(54) **SAFETY RAZOR**

(71) Applicant: **Super-Max Personal Care Pvt Ltd,**  
Thane(W) (IN)

(72) Inventors: **Antonio Carlos Acatauassu**  
**Bittencourt,** Curitiba (BR); **Yogesh**  
**Humbirrao Mohite,** Pune (IN)

(73) Assignee: **Super-Max Personal Care Pvt Ltd,**  
Thane(W) (IN)

(\*\*) Term: **15 Years**

(21) Appl. No.: **29/660,962**

(22) Filed: **Aug. 23, 2018**

(30) **Foreign Application Priority Data**

Feb. 24, 2018 (IN) ..... 302895

(51) **LOC (12) Cl.** ..... **28-03**

(52) **U.S. Cl.**  
USPC ..... **D28/46**

(58) **Field of Classification Search**  
USPC ..... D28/46-48, 49-51  
CPC ... B26B 21/00; B26B 21/08; B26B 21/14-38;  
B26B 21/40; B26B 21/4006; B26B  
21/4012-4031; B26B 21/4037; B26B  
21/405-4056; B26B 21/4062; B26B  
21/4068-4075; B26B 21/48; B26B  
21/52-528

See application file for complete search history.

(56) **References Cited**

U.S. PATENT DOCUMENTS

D565,245 S *	3/2008	Wonderley .....	D28/46
D636,938 S *	4/2011	White, Jr. ....	D28/48
D731,709 S *	6/2015	Provost .....	D28/48
D739,604 S *	9/2015	Christie .....	D28/48
D739,980 S *	9/2015	Psimadas .....	D28/48
D745,215 S *	12/2015	Go .....	D28/48
D749,784 S *	2/2016	Go .....	D28/48
D775,422 S *	12/2016	Faktorovich .....	D28/46
D843,659 S *	3/2019	Go .....	D28/48

\* cited by examiner

*Primary Examiner* — Jennifer Rivard

(74) *Attorney, Agent, or Firm* — Dave Law Group LLC;  
Raj S. Dave

(57) **CLAIM**

The ornamental design for a safety razor, as shown and described.

**DESCRIPTION**

FIG. 1 is a front isometric view of safety razor, showing our new design;  
FIG. 2 is a rear elevation view thereof;  
FIG. 3 is a bottom plan view thereof;  
FIG. 4 is a right side elevation view thereof;  
FIG. 5 is a top plan view thereof;  
FIG. 6 is a rear isometric view thereof; and,  
FIG. 7 is a front elevation view thereof.  
The SUPERMAX forming part of the claimed design is a registered trademark of Antonio Carlos Acatauassu Bittencourt and Yogesh Humbirrao Mohite.

**1 Claim, 7 Drawing Sheets**

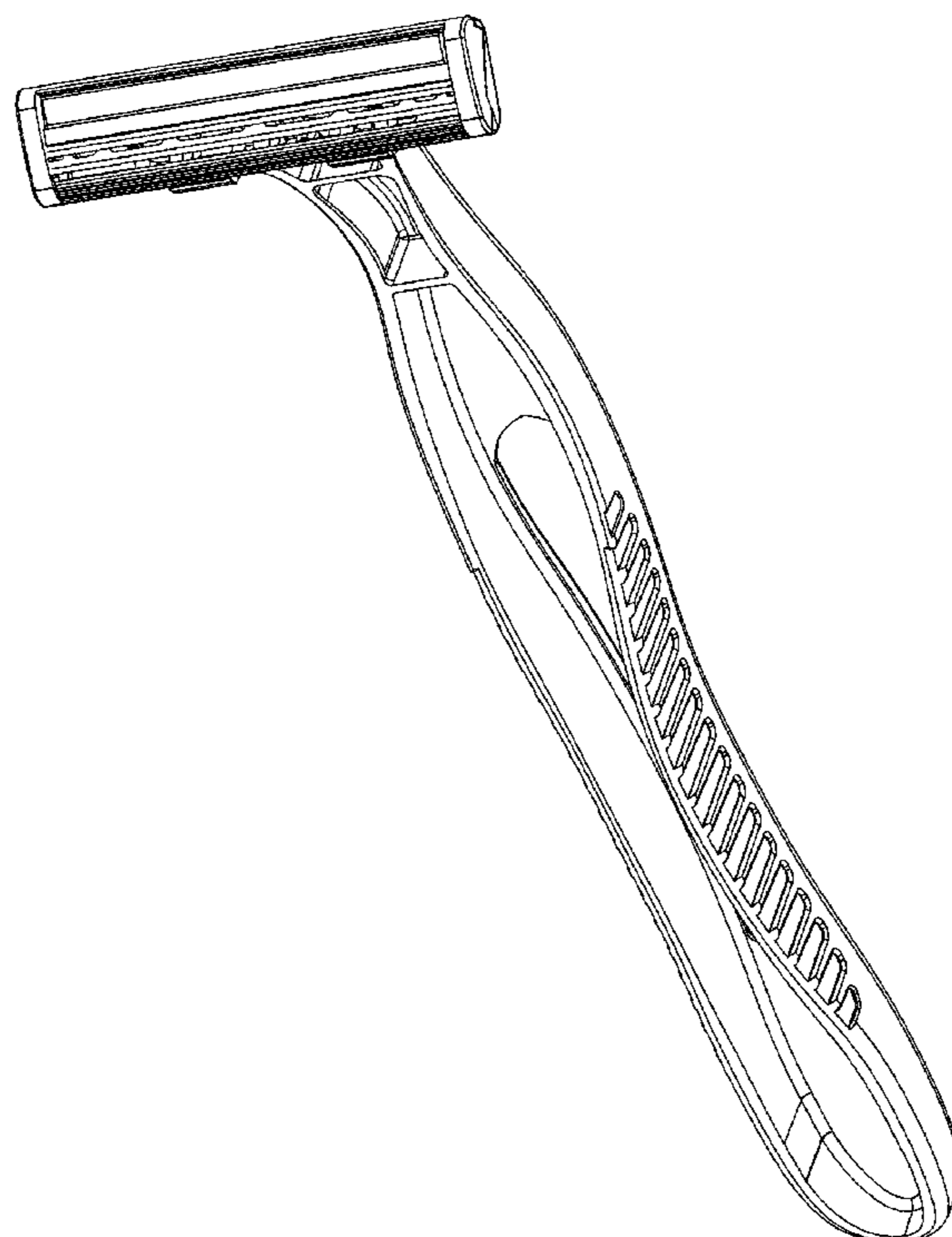




FIG. 1

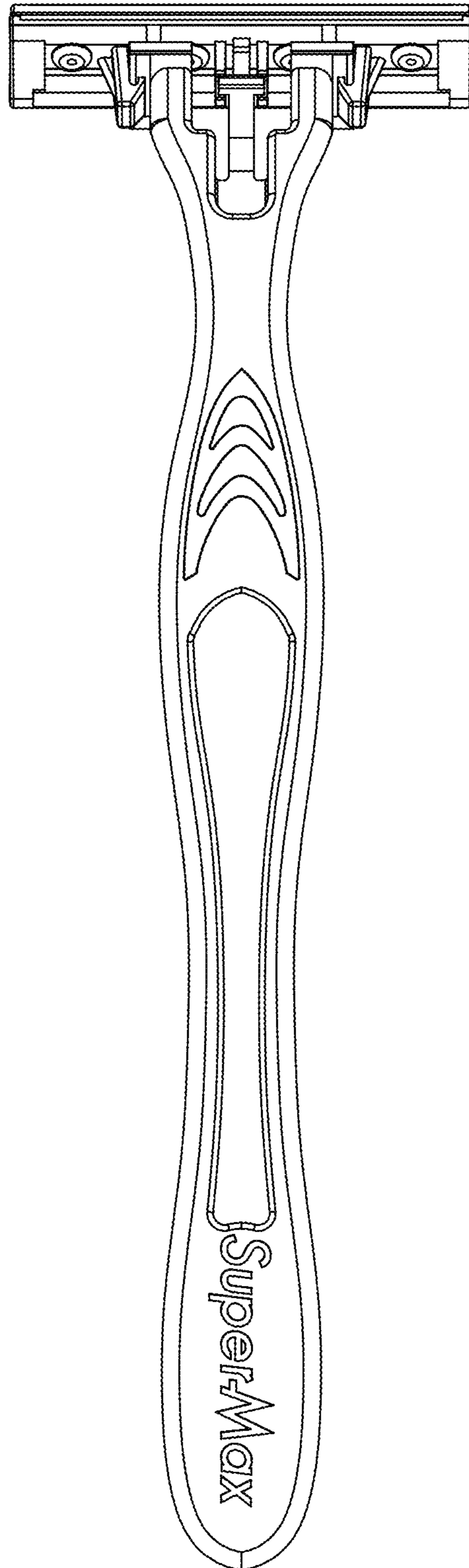


FIG. 2

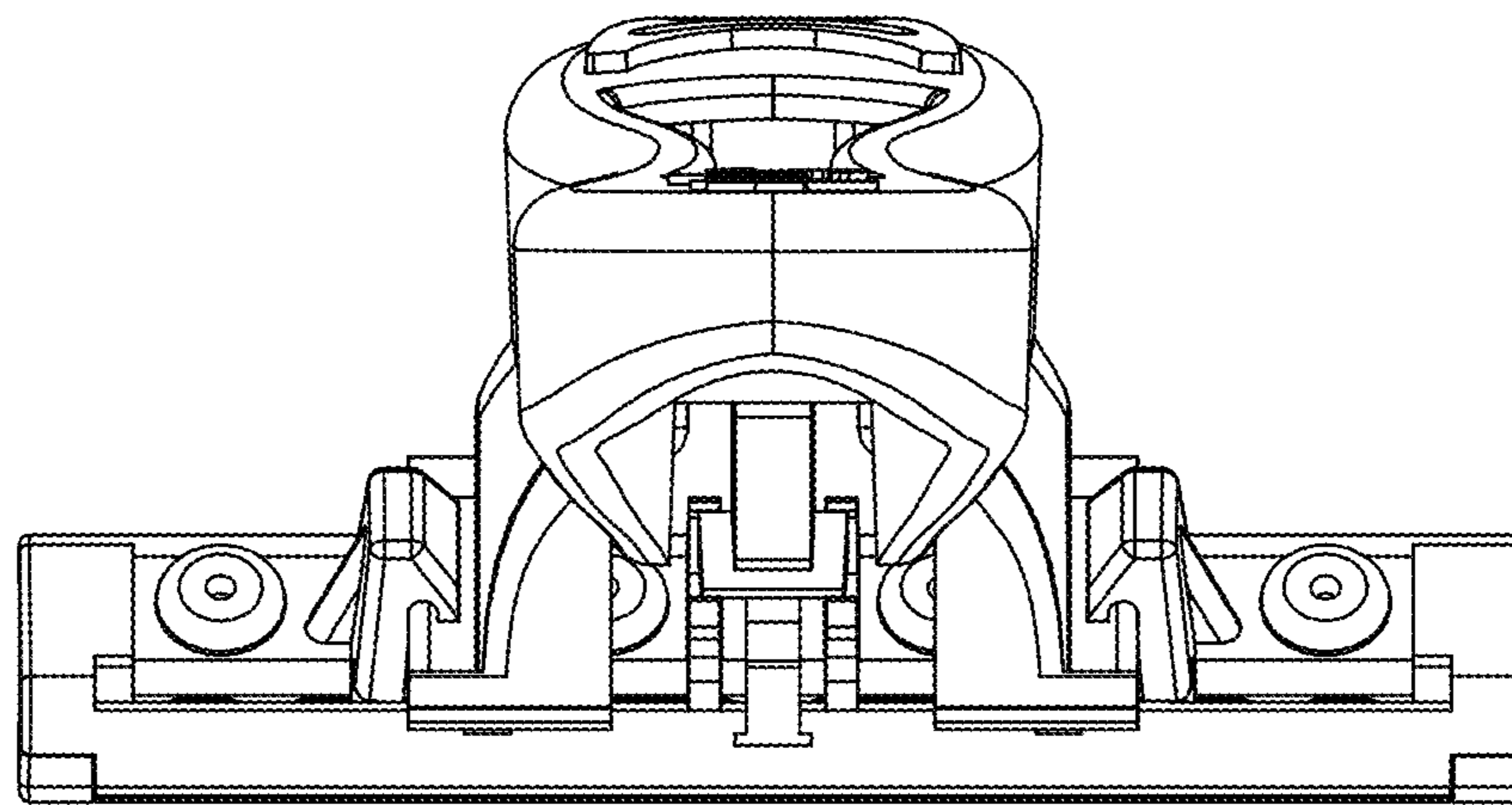


FIG. 3

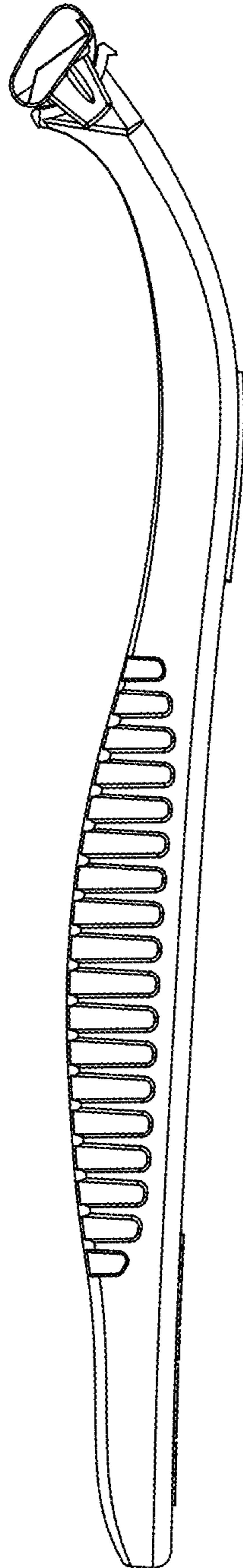


FIG. 4

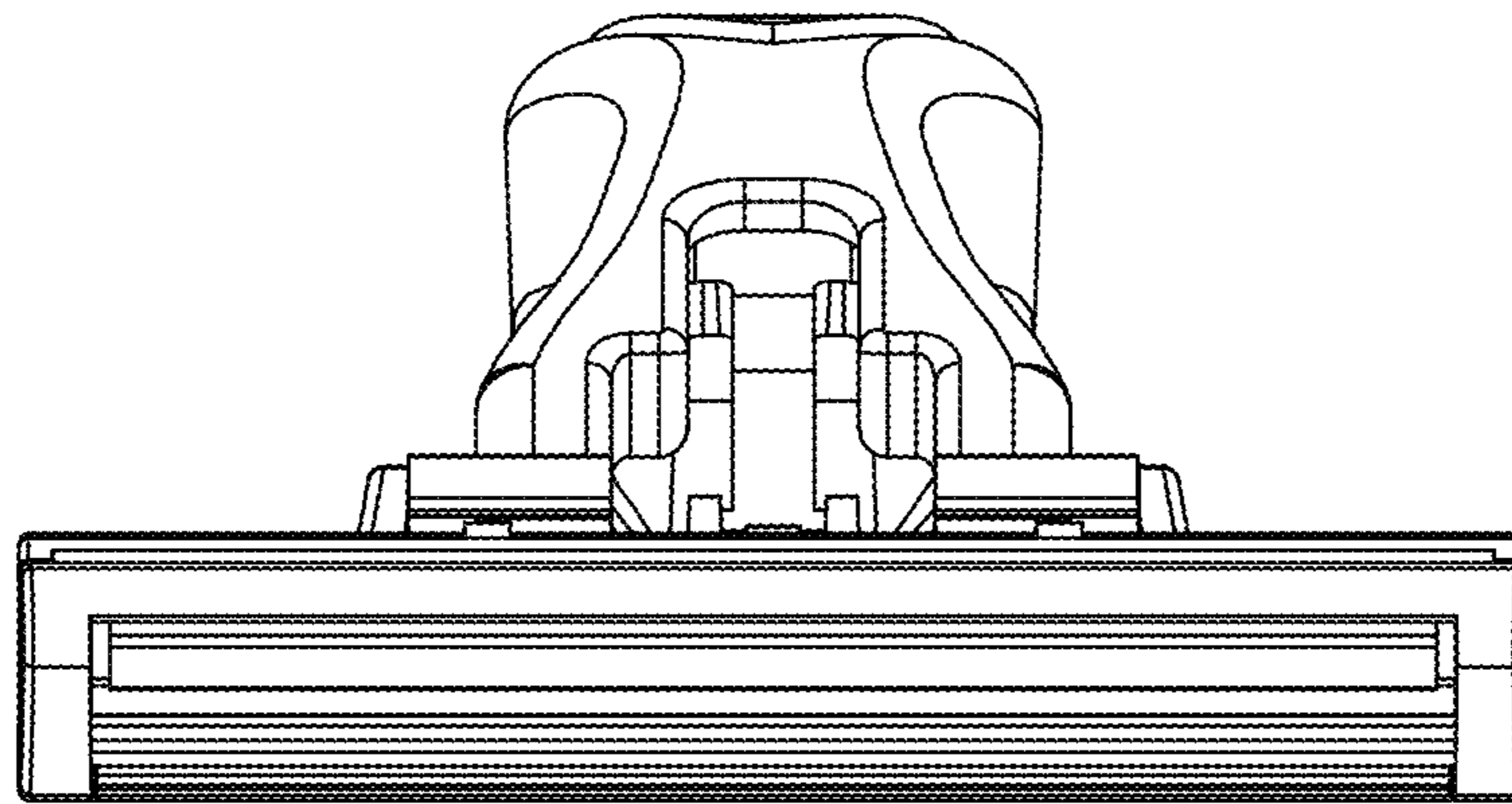


FIG. 5

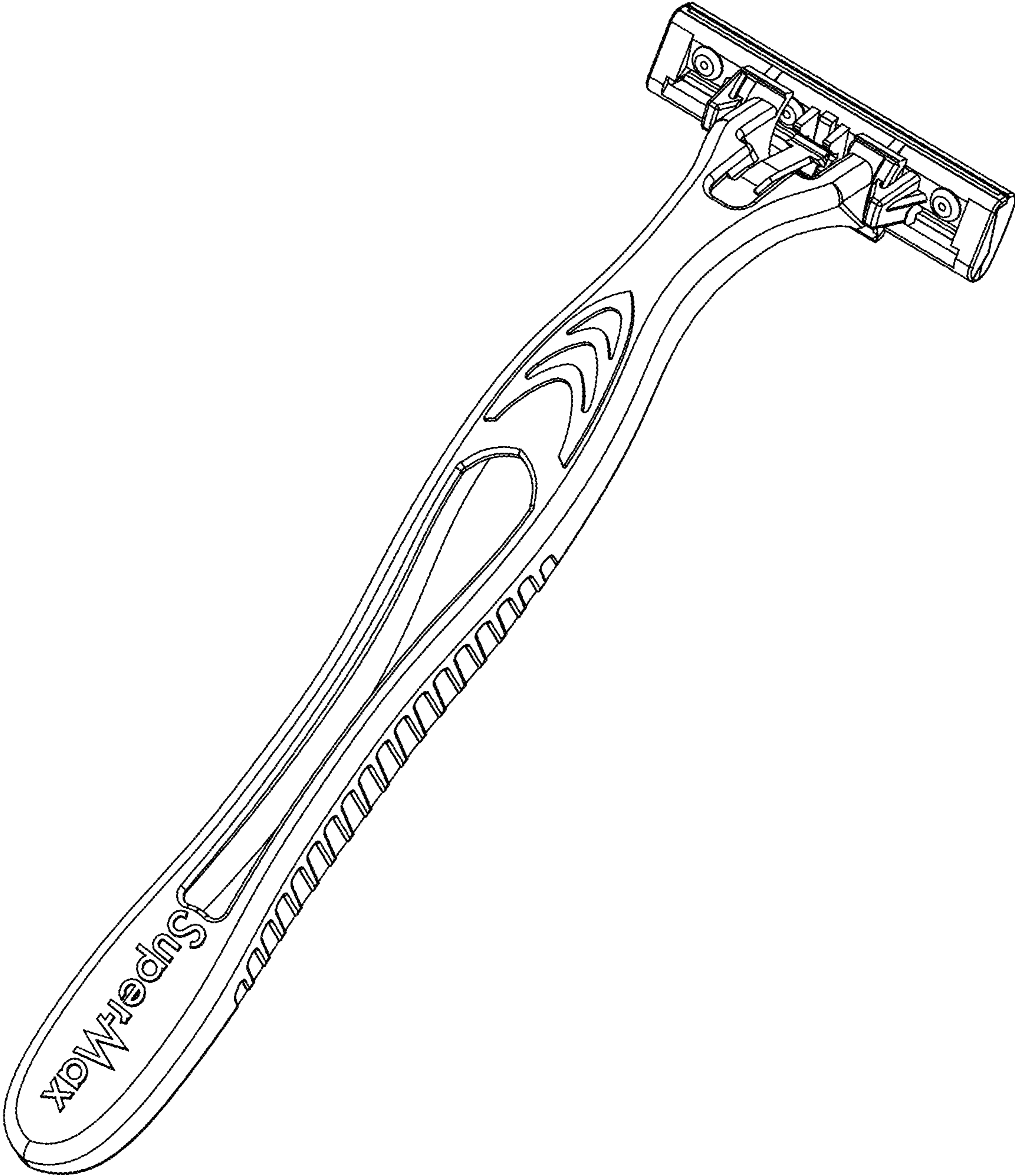


FIG. 6

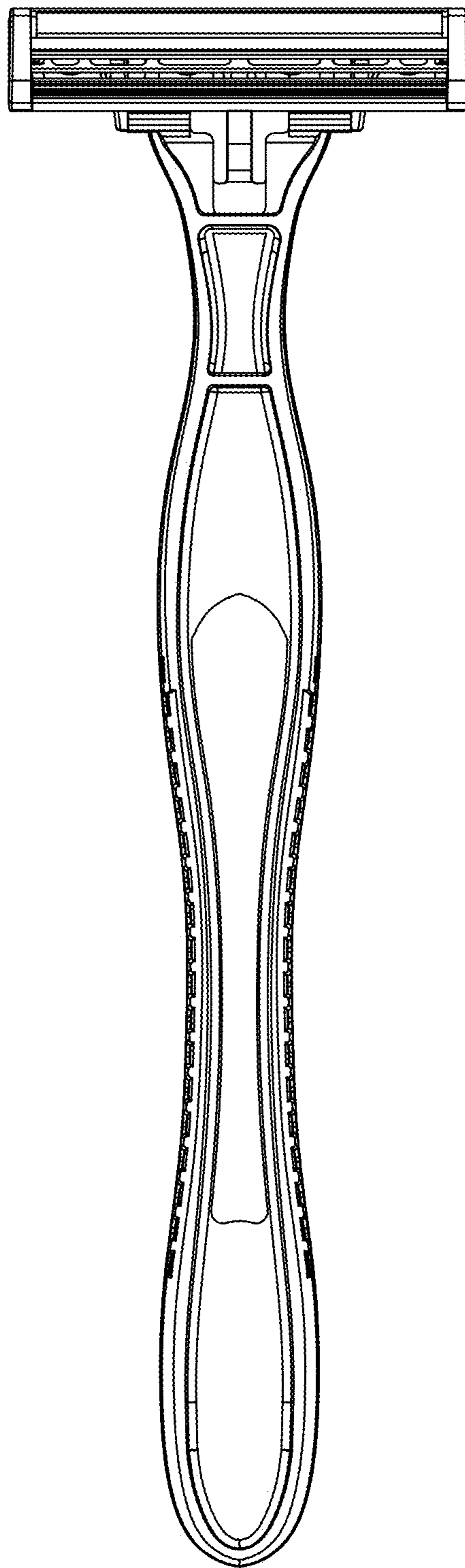


FIG. 7