



US00D877981S

(12) **United States Design Patent**  
**Tammera**

(10) **Patent No.:** **US D877,981 S**  
(45) **Date of Patent:** **\*\* Mar. 10, 2020**

- (54) **SAFETY RAZOR**
- (71) Applicant: **Robert F. Tammera**, Warrenton, VA  
(US)
- (72) Inventor: **Robert F. Tammera**, Warrenton, VA  
(US)
- (\*\*) Term: **15 Years**
- (21) Appl. No.: **29/626,782**
- (22) Filed: **Nov. 20, 2017**
- (51) **LOC (12) Cl.** ..... **28-03**
- (52) **U.S. Cl.**  
USPC ..... **D28/46**
- (58) **Field of Classification Search**  
USPC ..... D28/45-48  
CPC ..... B26B 21/4068; B26B 21/00-06; B26B  
21/08-227; B26B 21/24-28; B26B  
21/30-38; B26B 21/40-4093; B26B  
21/52-528  
See application file for complete search history.

D346,042 S *	4/1994	Chu	.....	D28/46
D351,485 S *	10/1994	Miskin	.....	D28/46
5,365,958 A	11/1994	Stuhlmacher		
D388,540 S *	12/1997	Ramar	.....	D28/45
5,727,328 A	3/1998	Kim		
D431,681 S *	10/2000	Seger	.....	D28/48
6,185,827 B1	2/2001	Polites		
D439,015 S *	3/2001	Wonderley	.....	D28/48
6,449,849 B1	9/2002	Hackerman		
7,007,389 B1	3/2006	Arif		
7,100,289 B1	9/2006	Strege		
7,975,389 B2	7/2011	Bozikis		
D652,990 S *	1/2012	Strickland	.....	D28/46
2006/0272154 A1	12/2006	Brevard		
2015/0174774 A1*	6/2015	Hodgson	.....	B26B 21/14 30/34.2

\* cited by examiner

*Primary Examiner* — Jennifer Rivard  
(74) *Attorney, Agent, or Firm* — Greenblum & Bernstein,  
P.L.C.

(57) **CLAIM**

I claim the ornamental design for a safety razor, as shown and described.

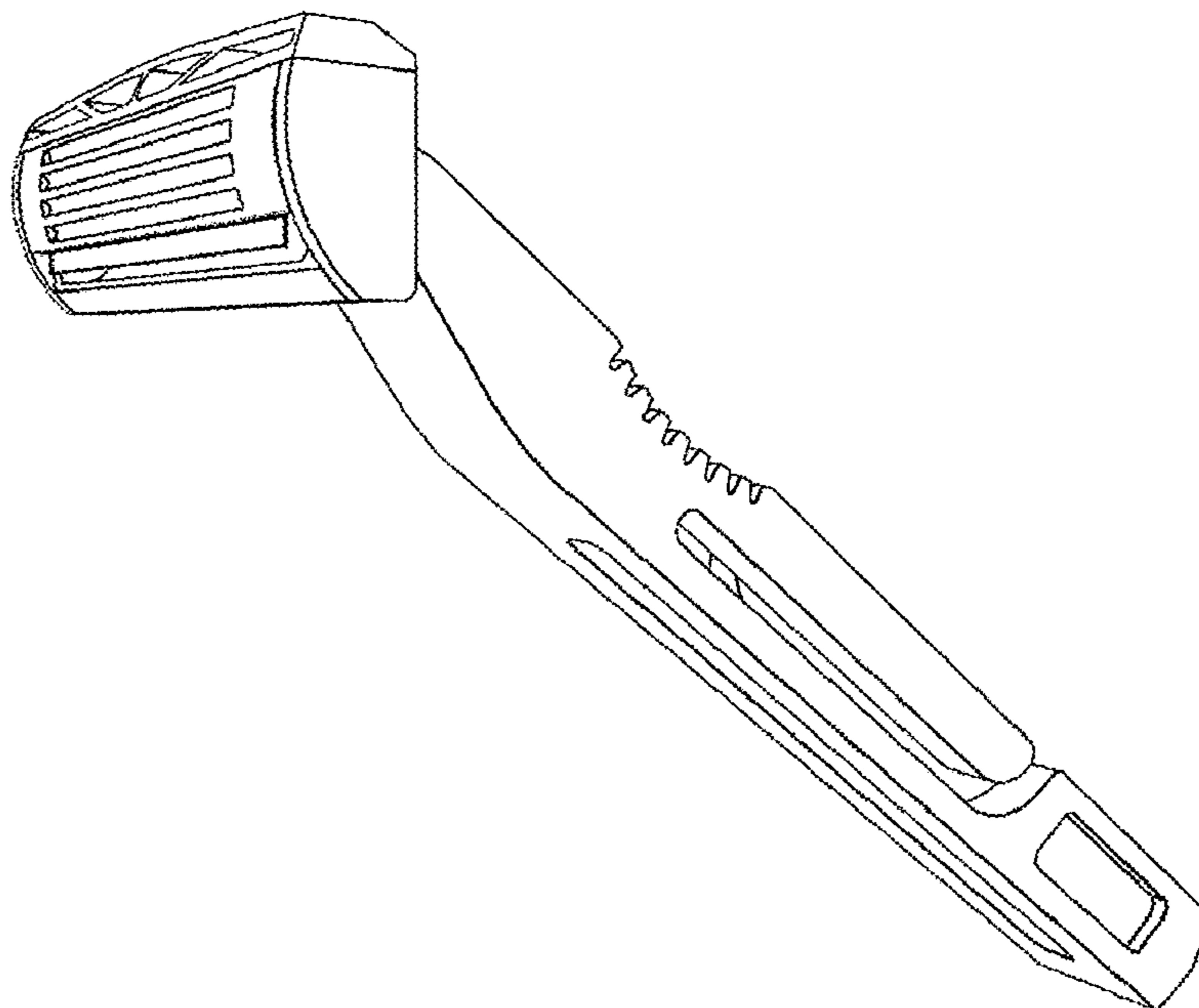
**DESCRIPTION**

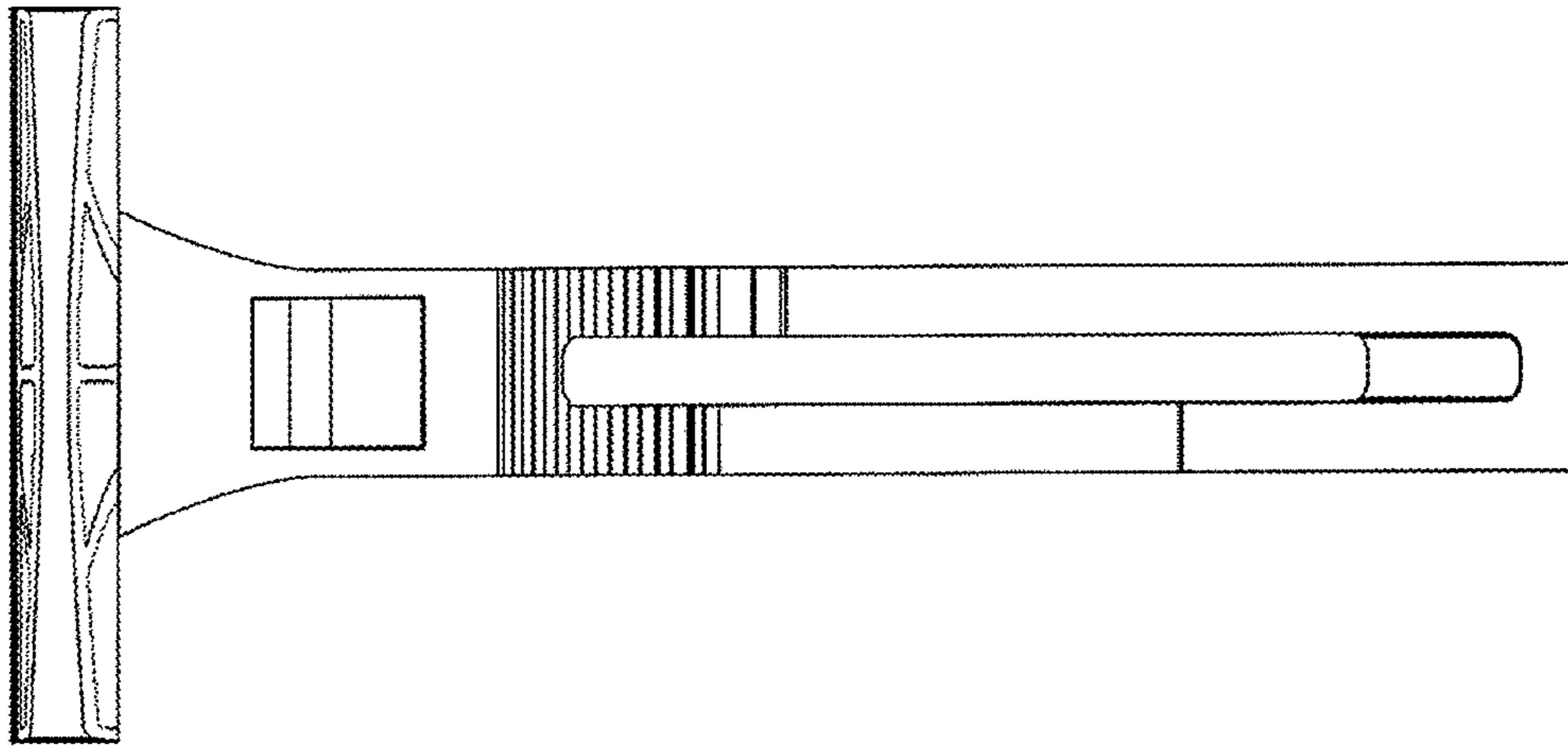
FIG. 1 shows a top view a safety razor;  
FIG. 2 shows a left side view of FIG. 1;  
FIG. 3 shows a right side view of FIG. 1;  
FIG. 4 shows a bottom view of FIG. 1;  
FIG. 5 shows a front view of FIG. 1;  
FIG. 6 shows a rear view of FIG. 1;  
FIG. 7 shows a left front perspective view of FIG. 1;  
FIG. 8 shows a left rear perspective view of FIG. 1;  
FIG. 9 shows a left bottom perspective view of FIG. 1; and,  
FIG. 10 shows a left top perspective view of FIG. 1.

**1 Claim, 5 Drawing Sheets**

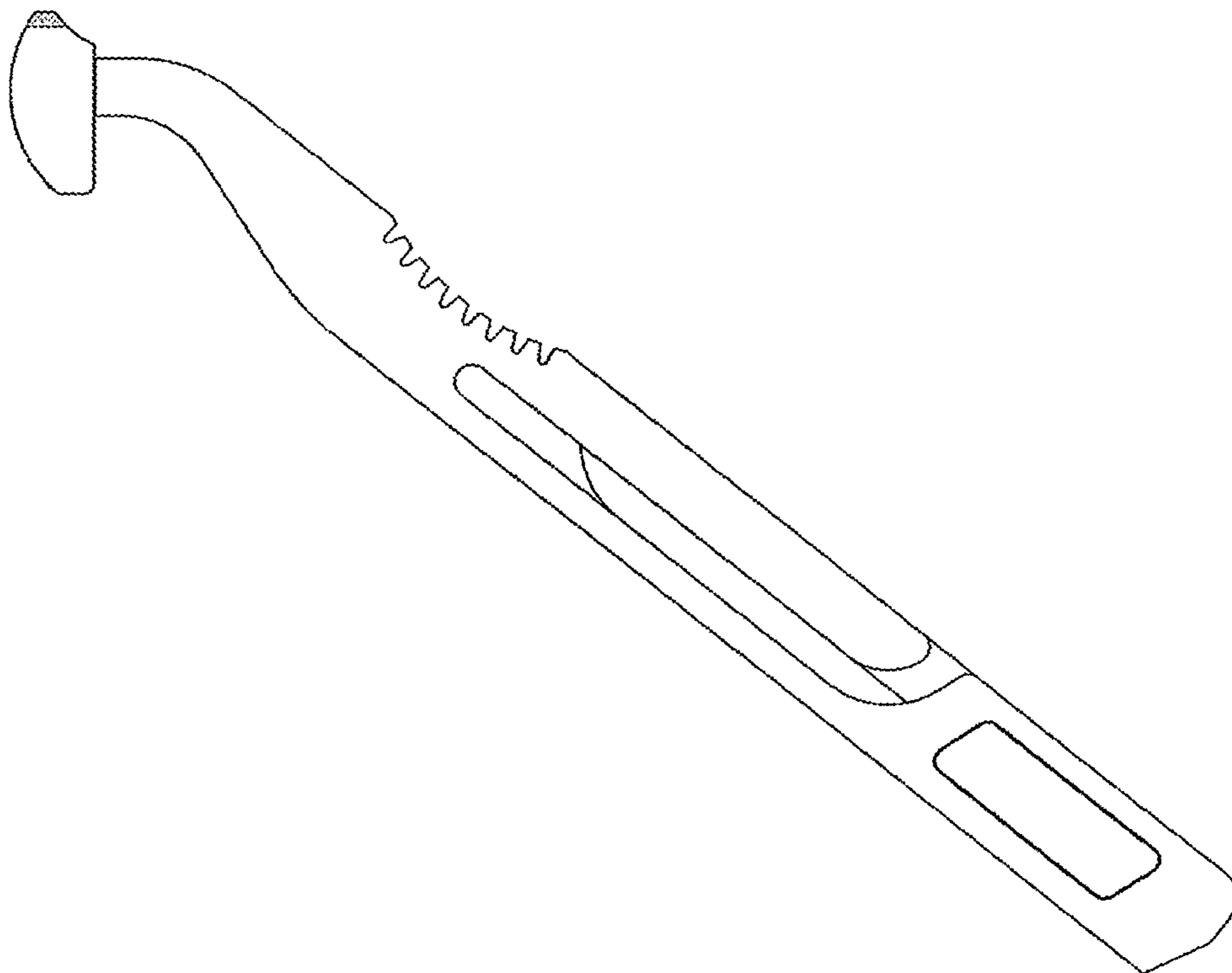
(56) **References Cited**  
U.S. PATENT DOCUMENTS

3,274,682 A	9/1966	Worthington		
3,828,770 A	8/1974	Kuris		
D255,165 S *	5/1980	Byrne	.....	D28/48
4,392,303 A	7/1983	Ciaffone		
D294,661 S *	3/1988	Kang	.....	A46B 15/0055 D28/46
D295,795 S *	5/1988	Demars	.....	D28/46
D295,900 S *	5/1988	Bonori	.....	D28/46
D309,355 S *	7/1990	Shurtleff	.....	D28/48
4,941,492 A	7/1990	Morgan		
D309,958 S *	8/1990	Iten	.....	D28/48
5,031,319 A	7/1991	Althaus		
D342,807 S *	12/1993	Smith	.....	D28/46

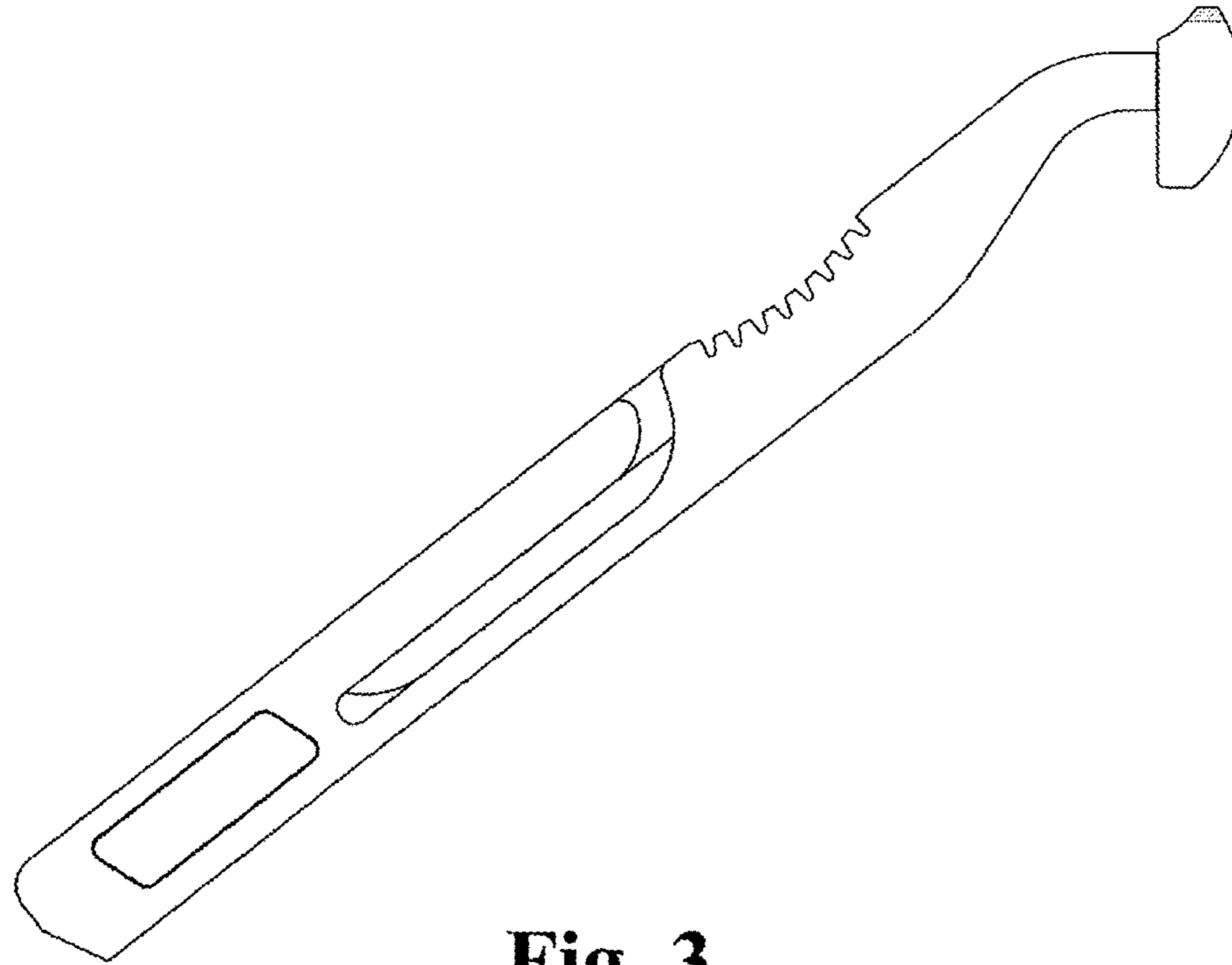




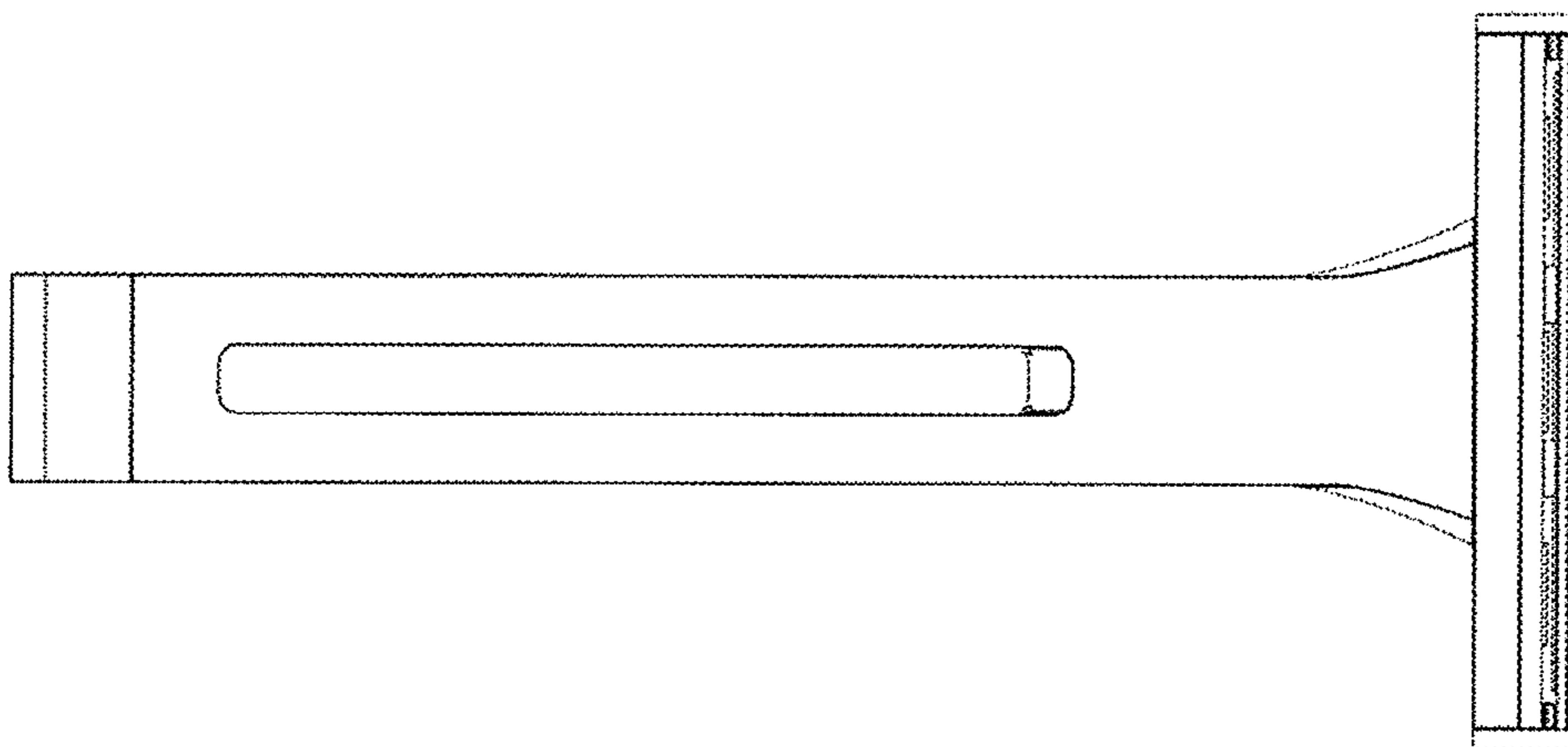
**Fig. 1**



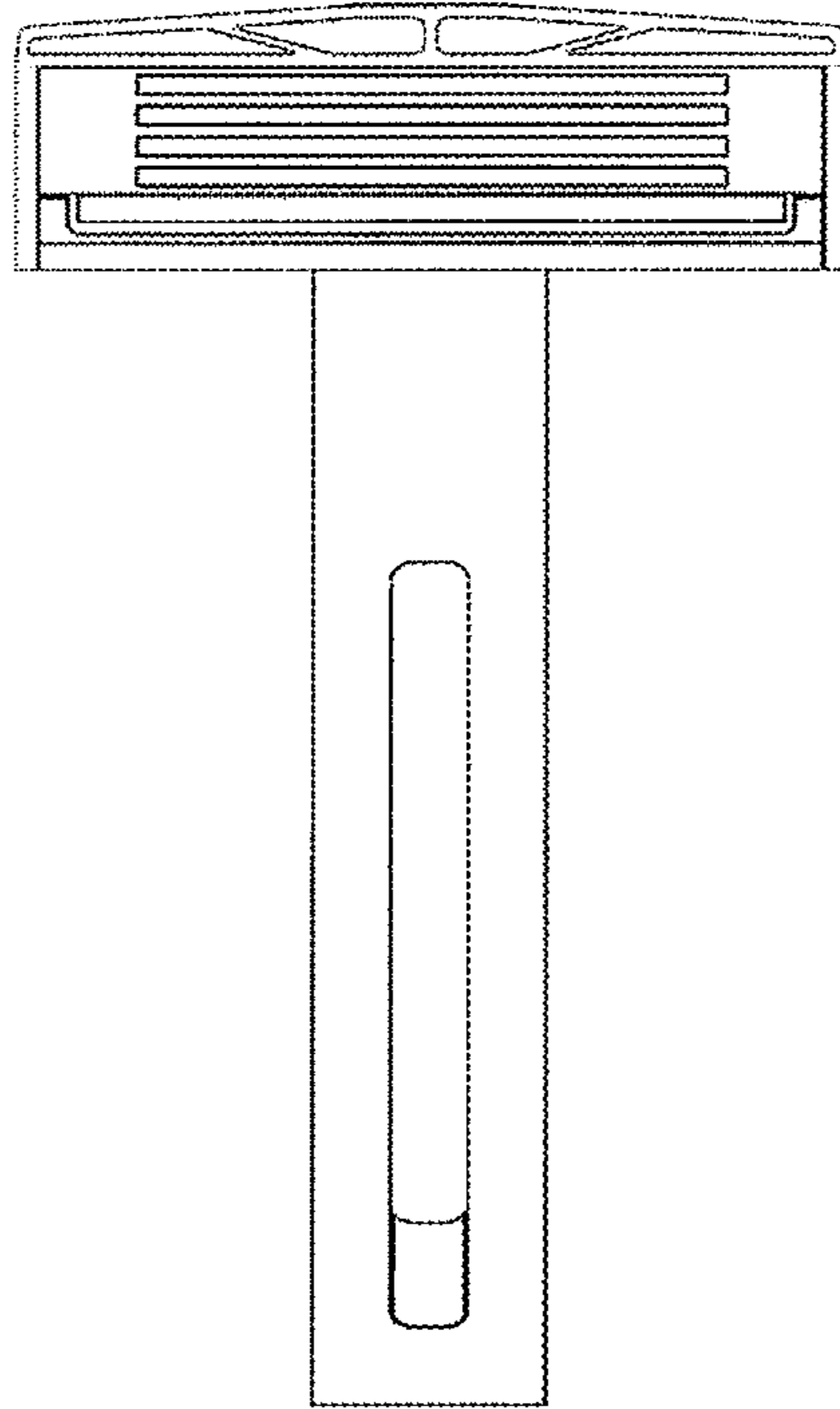
**Fig. 2**



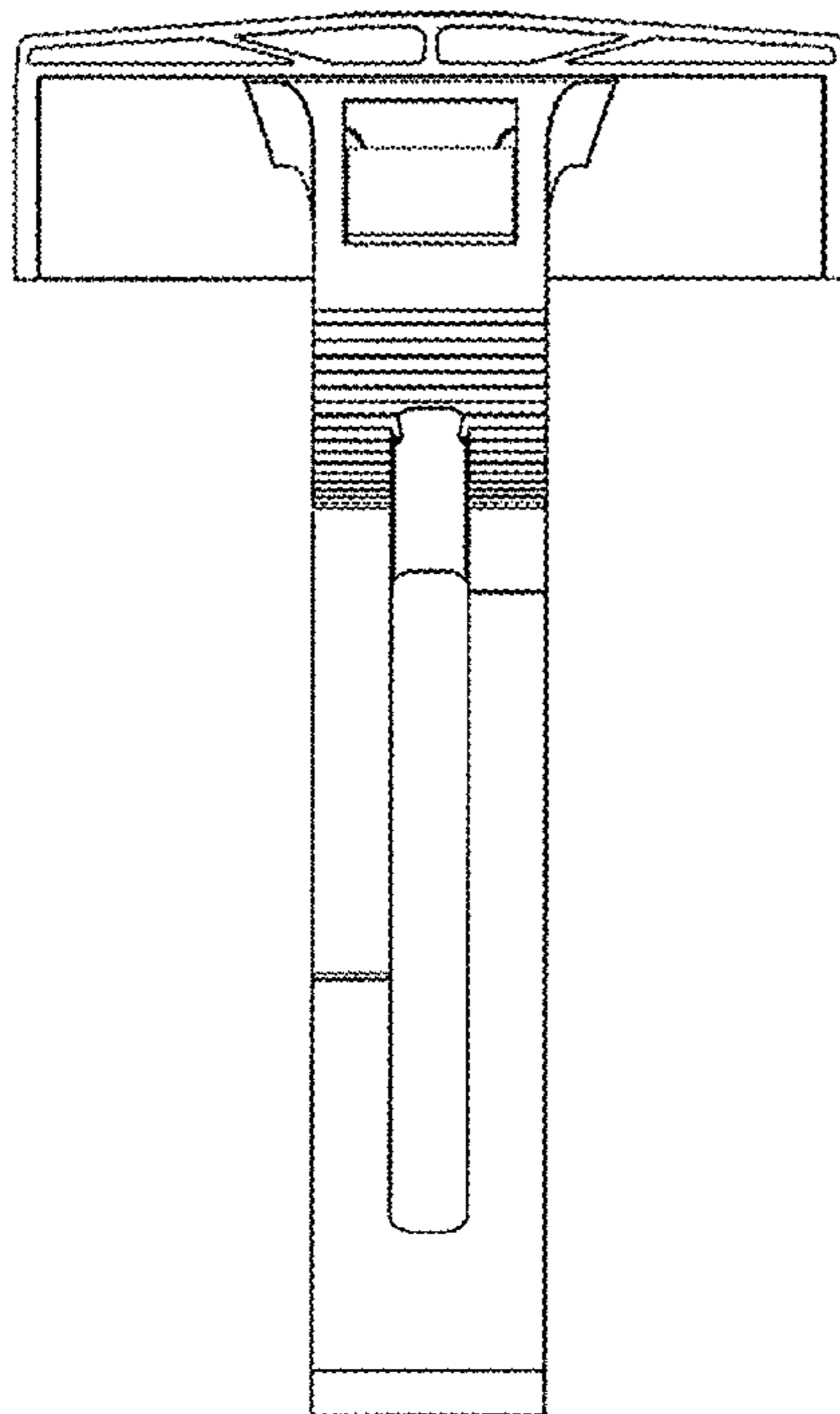
**Fig. 3**



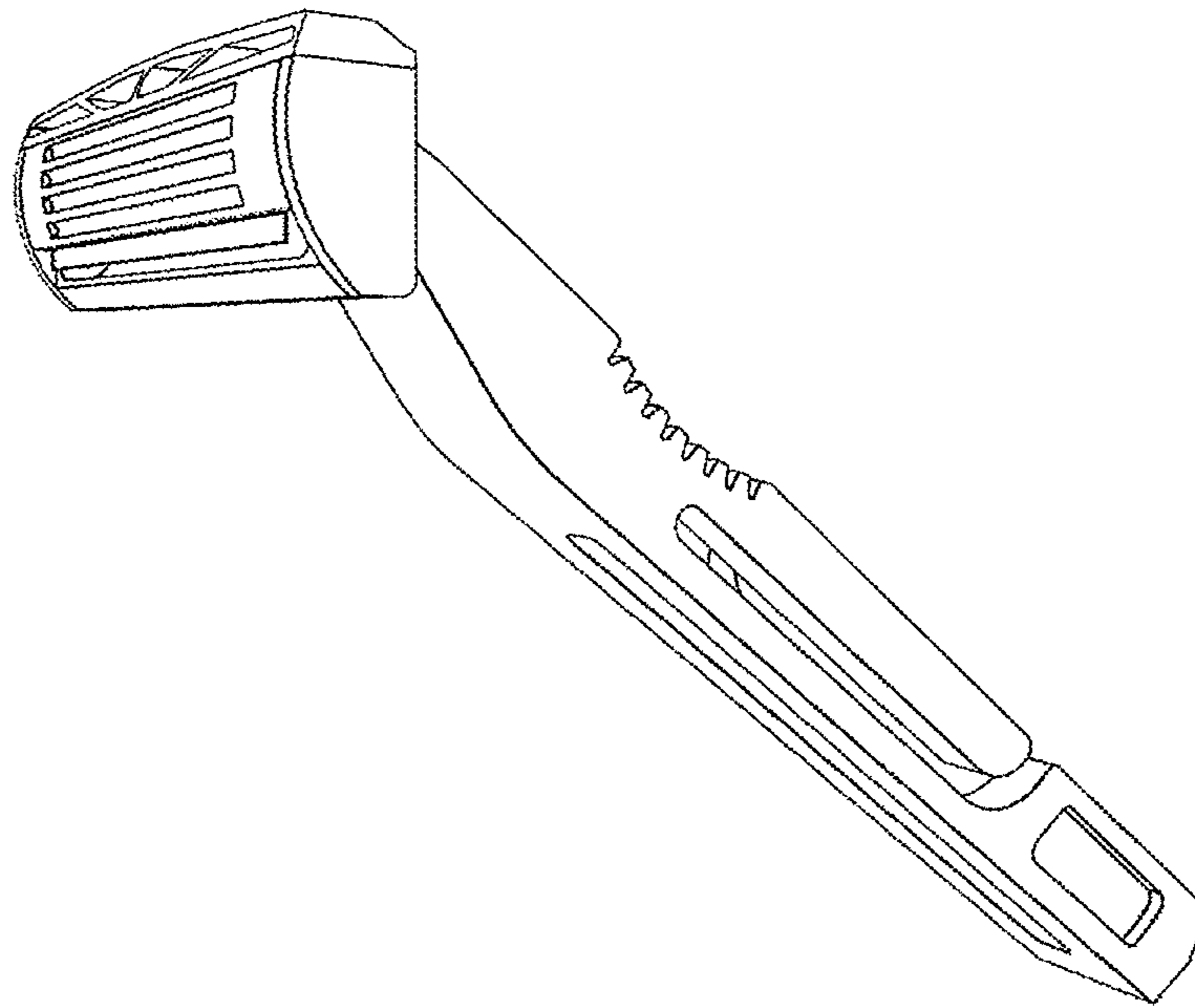
**Fig. 4**



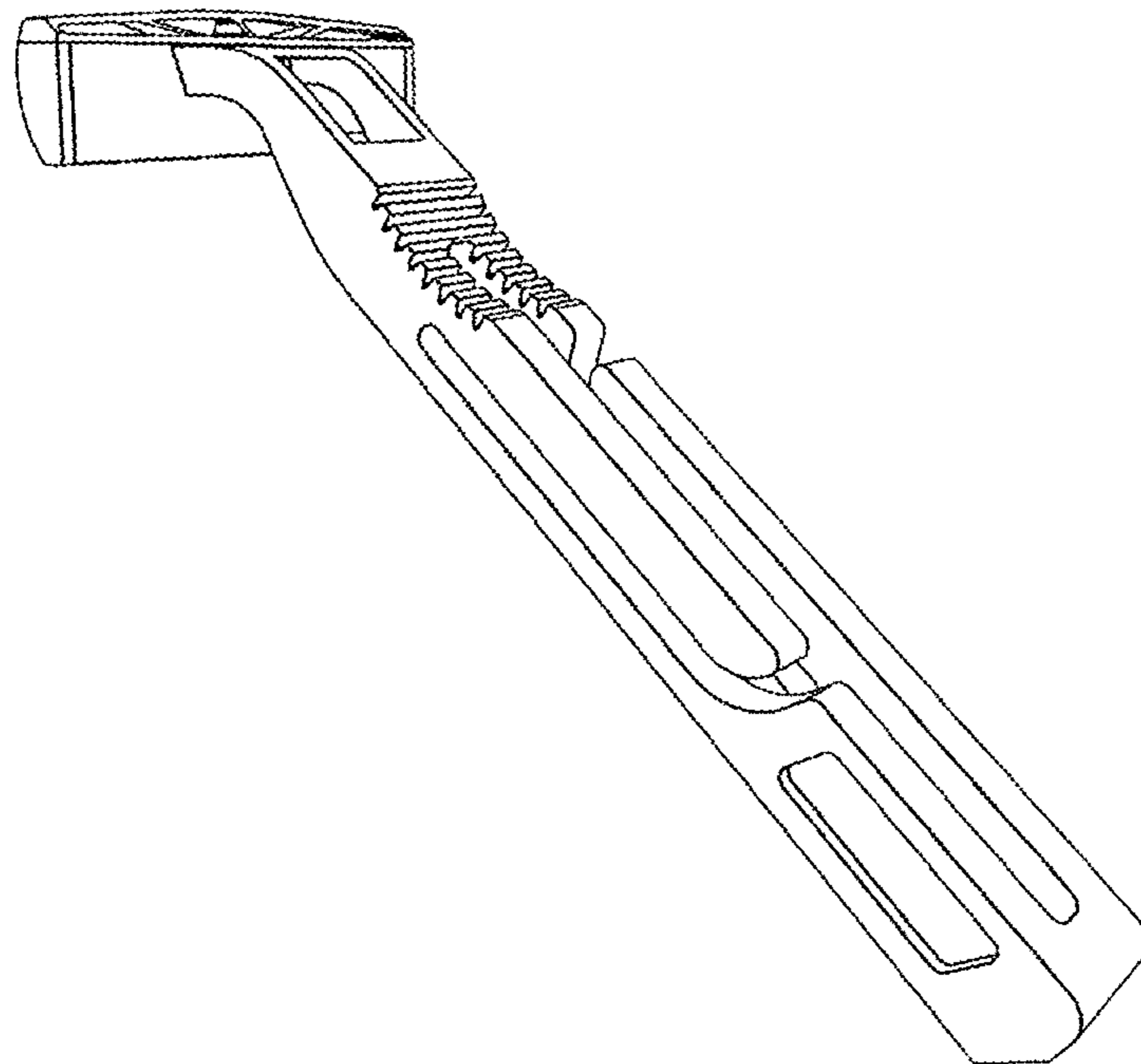
**Fig. 5**



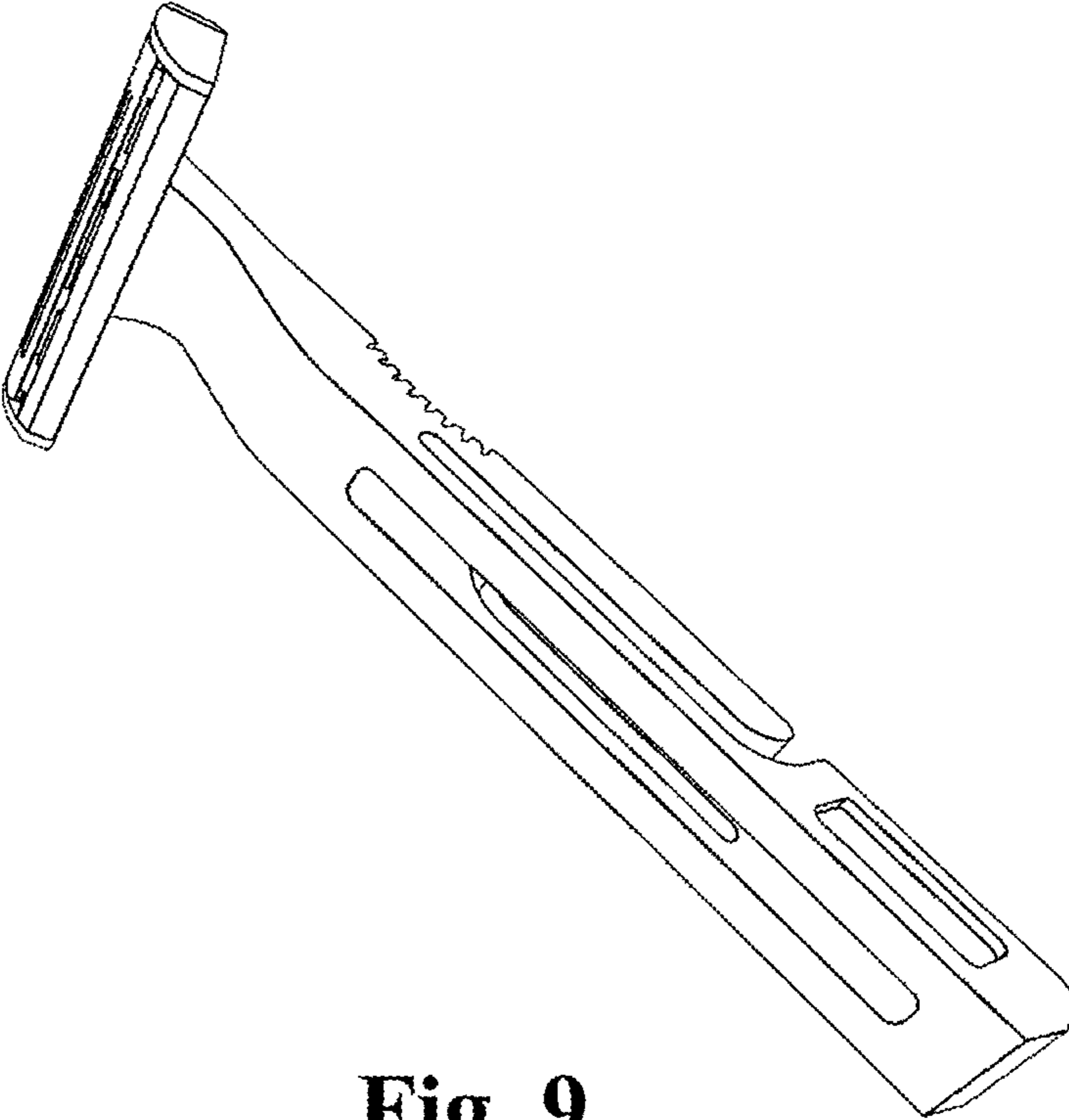
**Fig. 6**



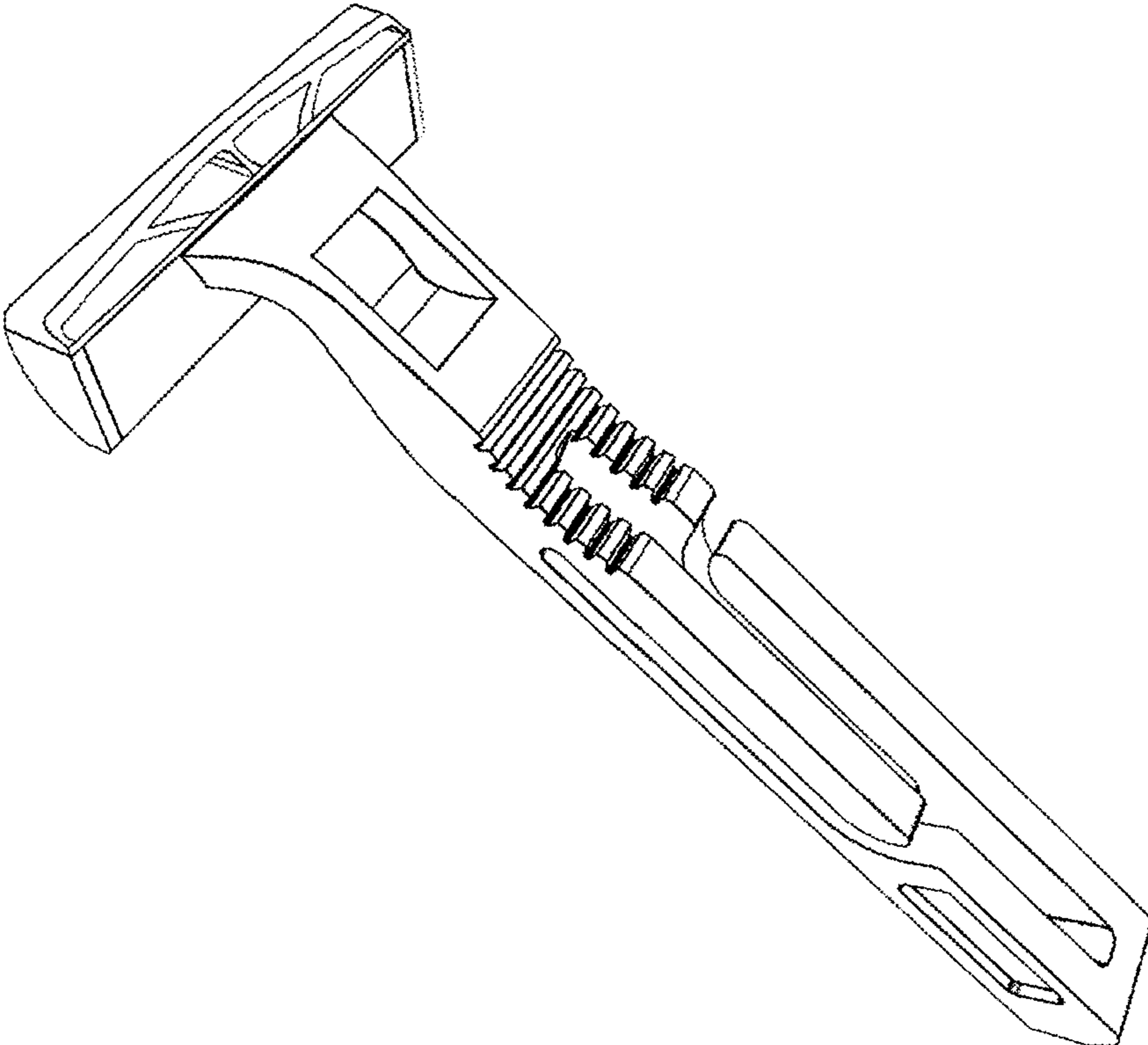
**Fig. 7**



**Fig. 8**



**Fig. 9**



**Fig. 10**