



US00D877979S

(12) **United States Design Patent**
Huang

(10) **Patent No.:** **US D877,979 S**

(45) **Date of Patent:** **** Mar. 10, 2020**

(54) **HAIR DRYER**

(71) Applicant: **Huaqun Huang**, Jieyang (CN)

(72) Inventor: **Huaqun Huang**, Jieyang (CN)

(73) Assignee: **GUANGDONG HUANENGDA ELECTRICAL APPLIANCES CO., LTD.**, Jieyang, Guangdong Province (CN)

(**) Term: **15 Years**

(21) Appl. No.: **29/658,814**

(22) Filed: **Aug. 2, 2018**

(30) **Foreign Application Priority Data**

May 29, 2018 (CN) 2018 3 0259747

(51) **LOC (12) Cl.** **28-03**

(52) **U.S. Cl.**

USPC **D28/13**

(58) **Field of Classification Search**

USPC D28/12-19

CPC A45D 20/00; A45D 20/48; A45D 20/50;

A45D 20/52; A45D 20/525

See application file for complete search history.

(56) **References Cited**

U.S. PATENT DOCUMENTS

D600,405 S * 9/2009 Soresina D28/13

D604,900 S * 11/2009 Yang D28/13

D651,342 S * 12/2011 Kim D28/13

D672,496 S * 12/2012 Julemont D28/13

* cited by examiner

Primary Examiner — Zenia I Bennett

(74) *Attorney, Agent, or Firm* — Dragon Sun Law Firm, PC; Jinggao Li, Esq.

(57) **CLAIM**

The ornamental design for a hair dryer, as shown and described.

DESCRIPTION

FIG. 1 is a front perspective view of a hair dryer showing our new design;

FIG. 2 is a rear perspective view thereof;

FIG. 3 is a front view thereof;

FIG. 4 is a rear view thereof;

FIG. 5 is a left side view thereof;

FIG. 6 is a right side view thereof;

FIG. 7 is a top plan view thereof; and,

FIG. 8 is a bottom plan view thereof.

The broken lines are for environmental proposes only and form no part of the claimed design.

1 Claim, 8 Drawing Sheets

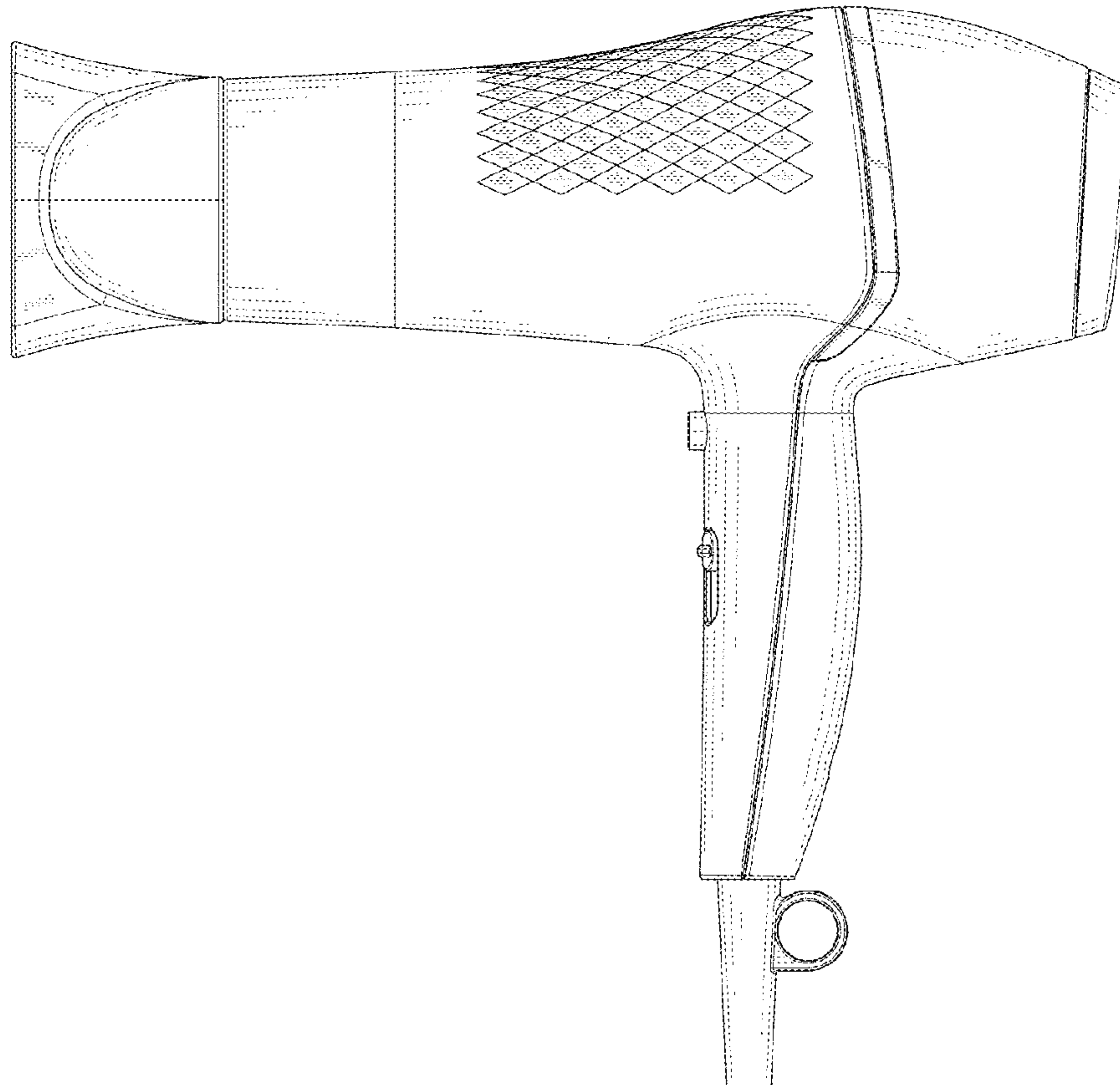




FIG. 1

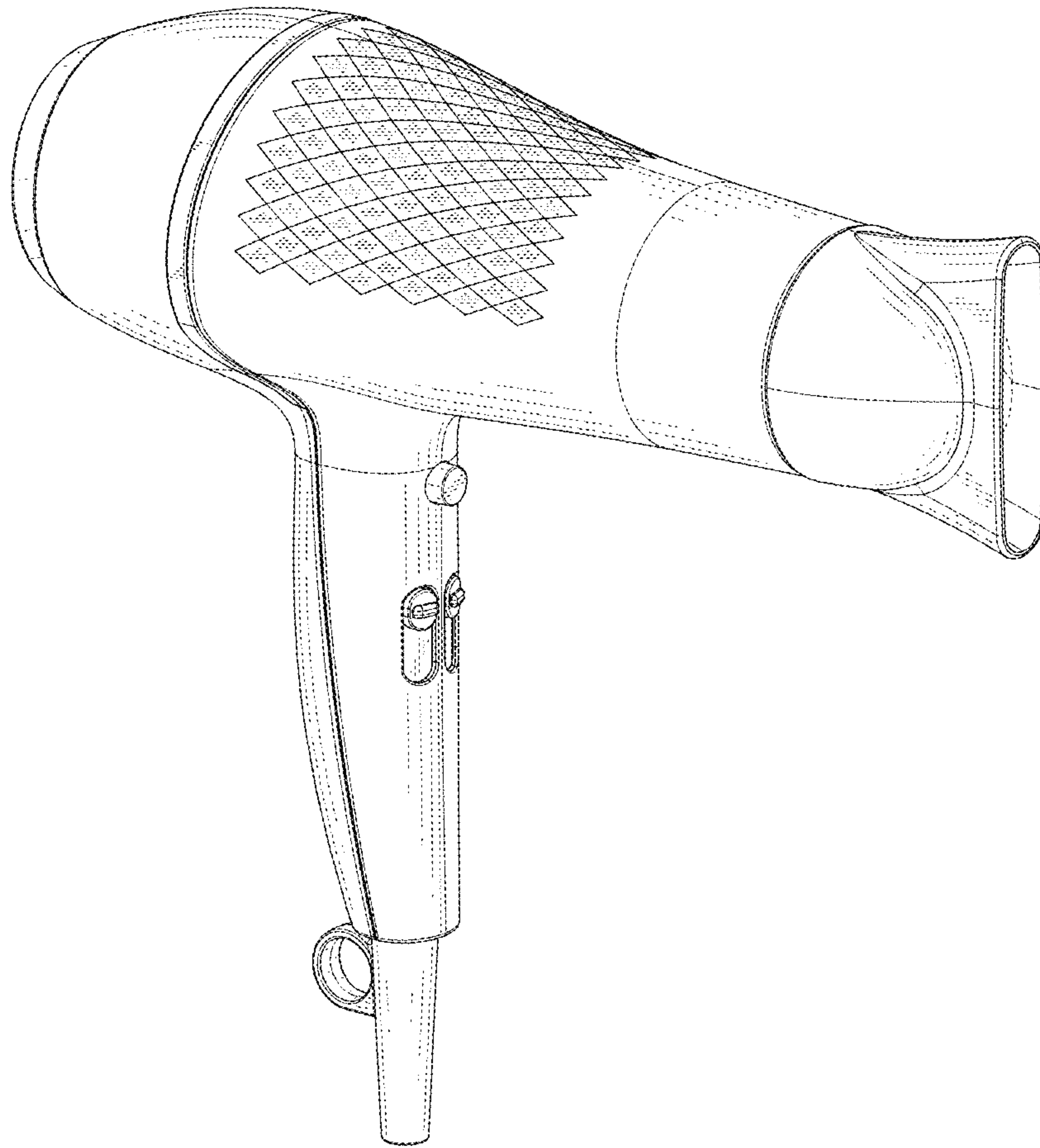


FIG. 2

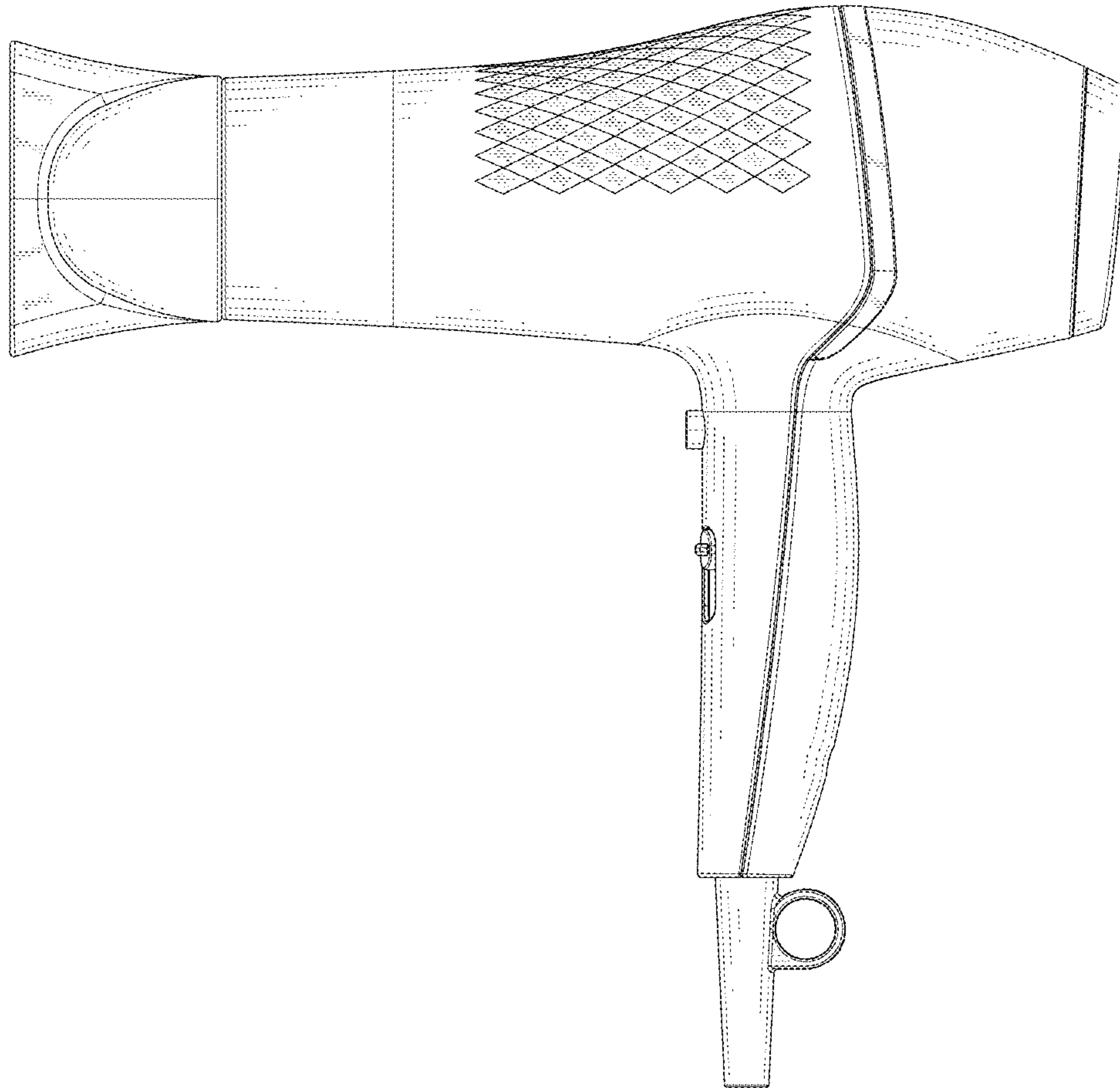


FIG. 3

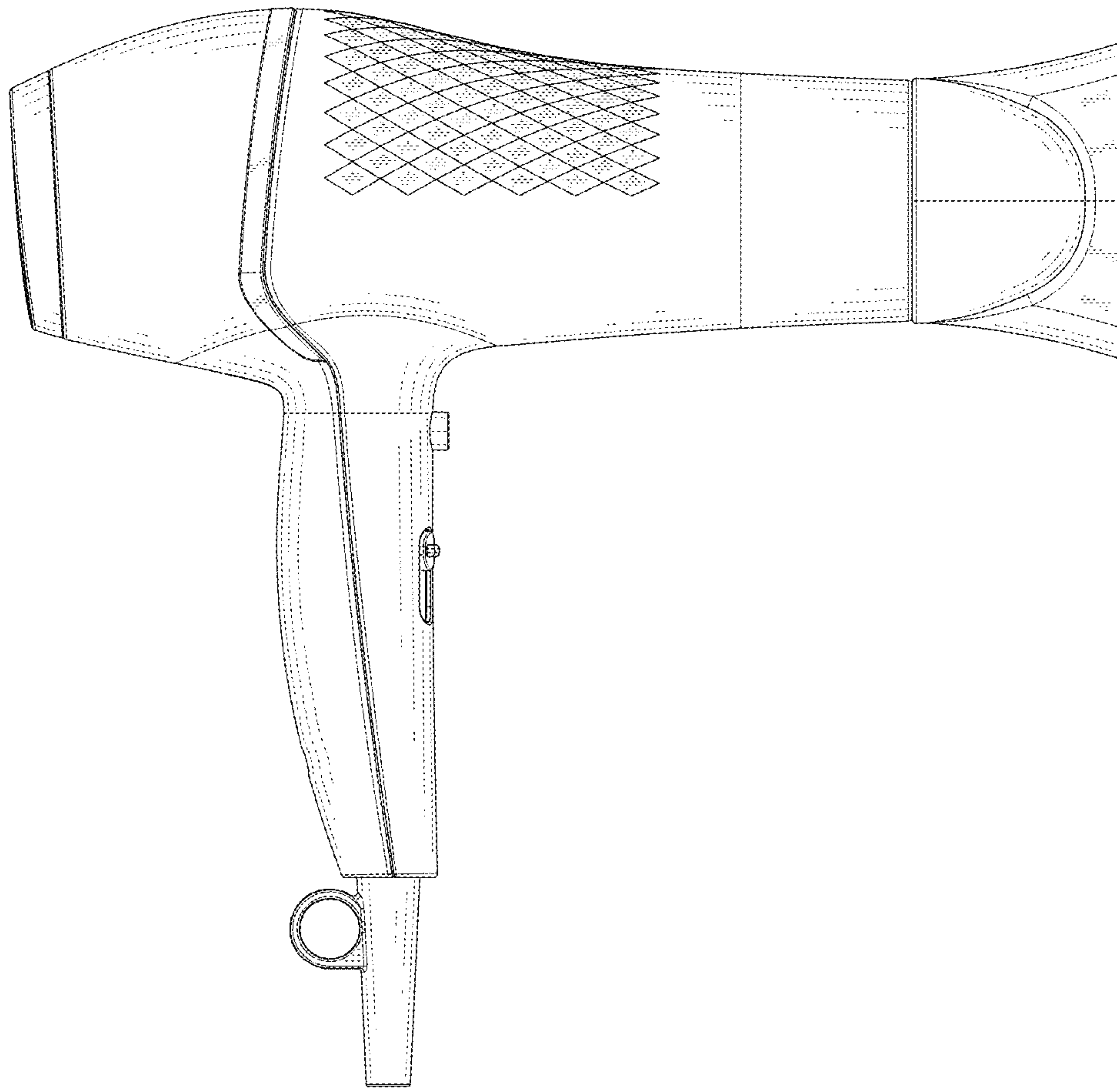


FIG. 4

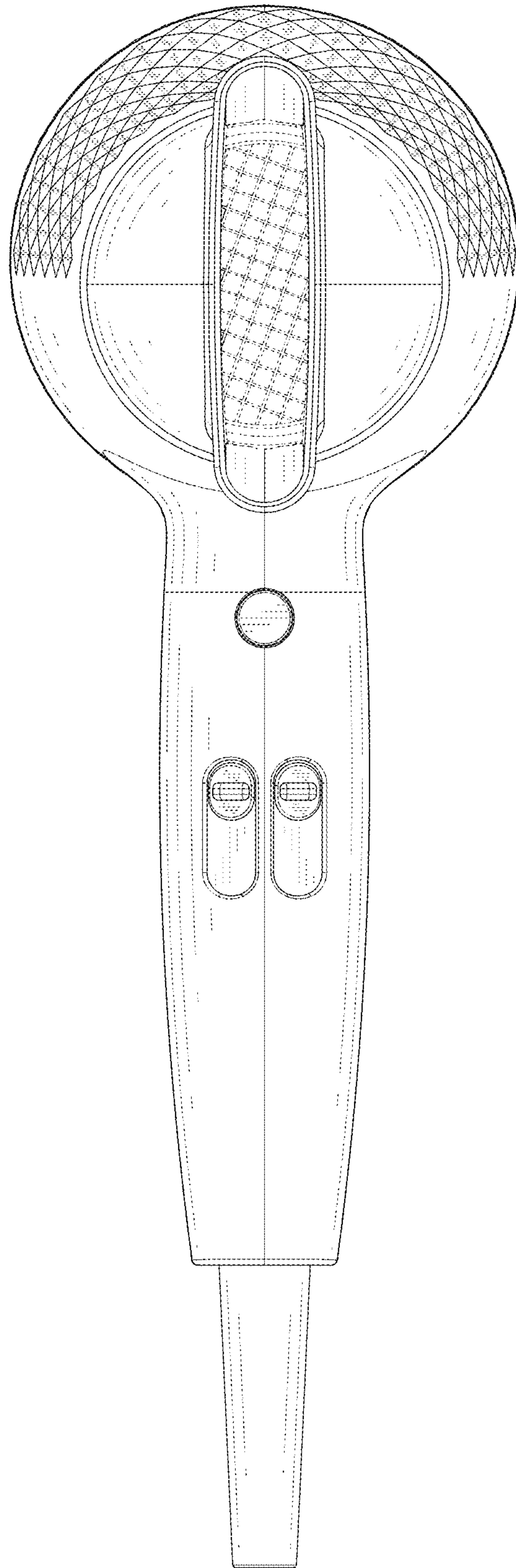


FIG. 5

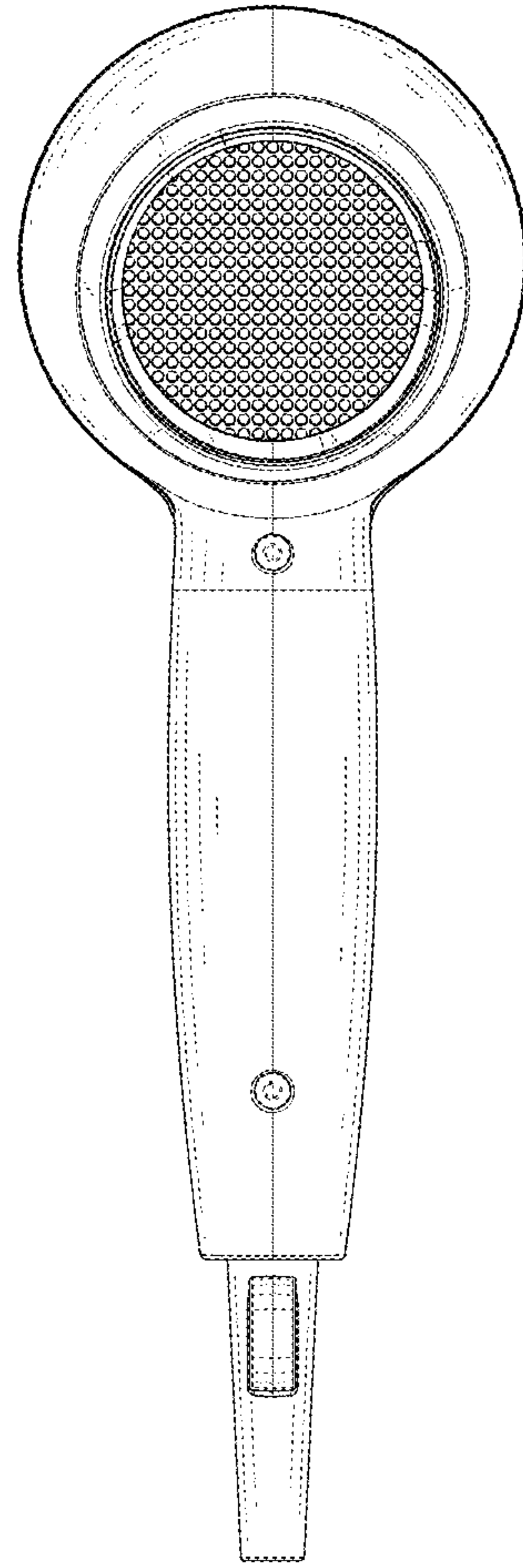


FIG. 6

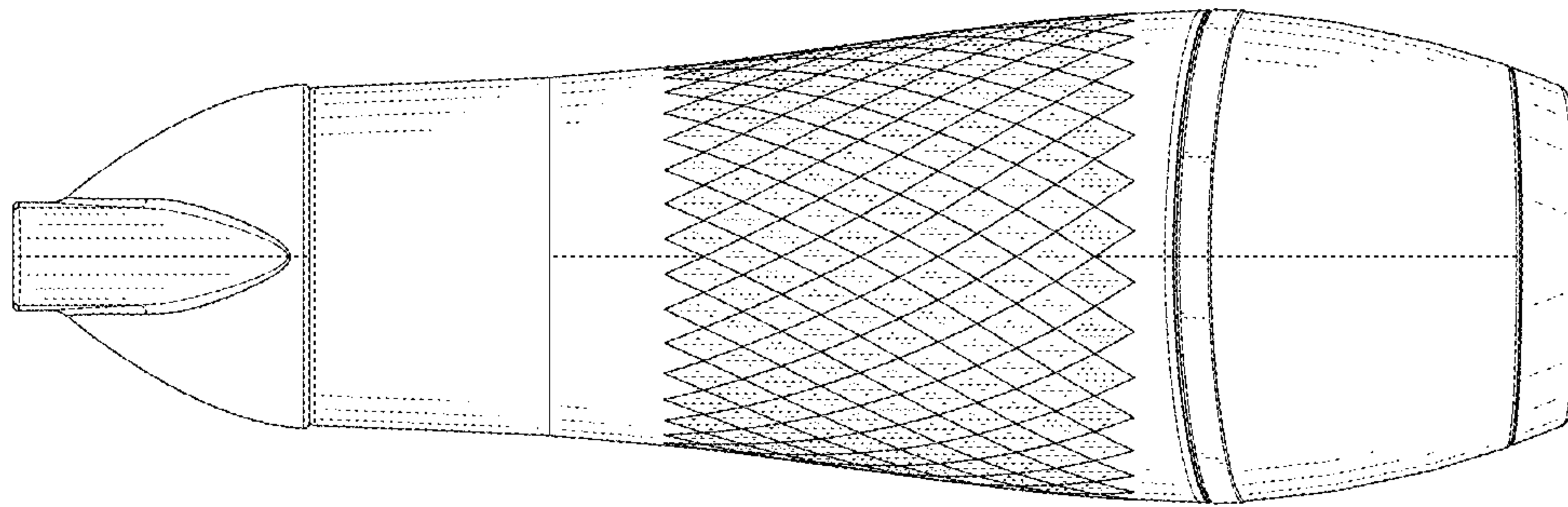


FIG. 7

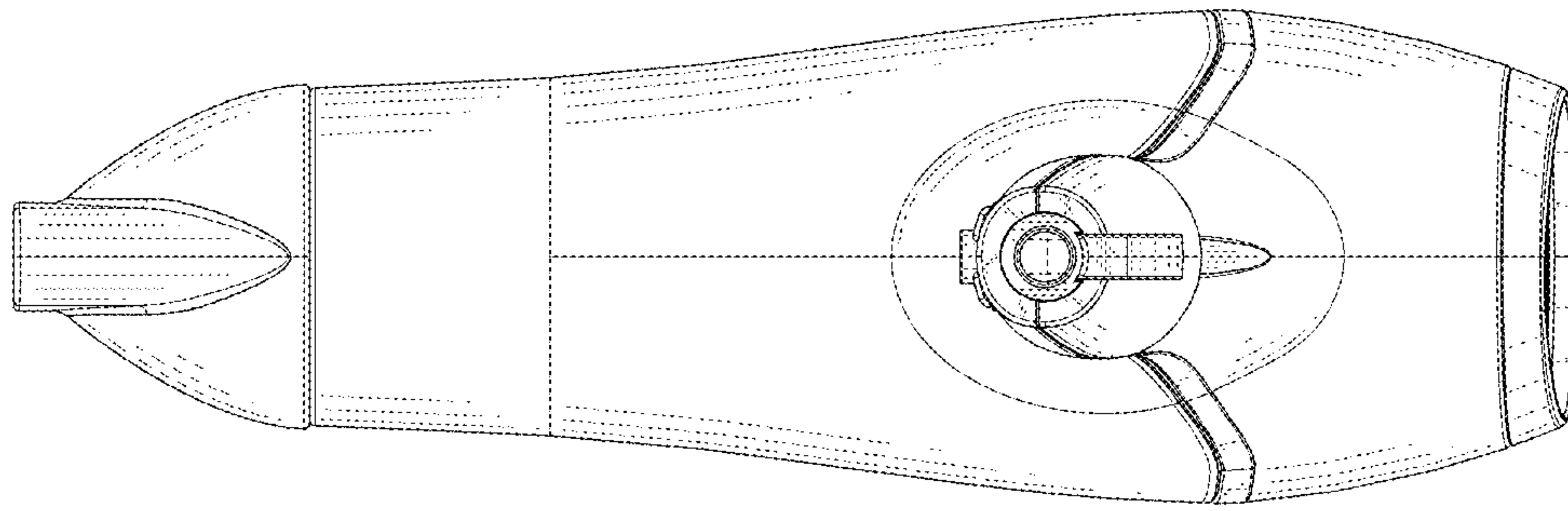


FIG. 8