



US00D877978S

(12) **United States Design Patent** (10) **Patent No.:** **US D877,978 S**
Kudo (45) **Date of Patent:** **** Mar. 10, 2020**

(54) **COSMETIC APPLICATOR**

FOREIGN PATENT DOCUMENTS

(71) Applicant: **TOKIWA CORPORATION**,
Nakatsugawa-shi, Gifu (JP)

JP 1560422 S 9/2016
JP 1560703 S 9/2016
KR 30-0890118-0001 S 1/2017
KR 30-0890118-0002 S 1/2017

(72) Inventor: **Saori Kudo**, Kawaguchi (JP)

* cited by examiner

(73) Assignee: **TOKIWA CORPORATION**,
Nakatsugawa-shi, Gifu (JP)

Primary Examiner — Zenia I Bennett
(74) *Attorney, Agent, or Firm* — Leydig Voit & Mayer,
Ltd.

(**) Term: **15 Years**

(21) Appl. No.: **29/659,065**

(57) **CLAIM**

The ornamental design for a cosmetic applicator, as shown and described.

(22) Filed: **Aug. 6, 2018**

(51) **LOC (12) Cl.** **28-03**

DESCRIPTION

(52) **U.S. Cl.**
USPC **D28/7**

(58) **Field of Classification Search**
USPC D28/7, 8, 20–22, 30–31, 76, 85, 99;
D19/115, 177, 200
CPC B43K 19/00; C09D 13/00
See application file for complete search history.

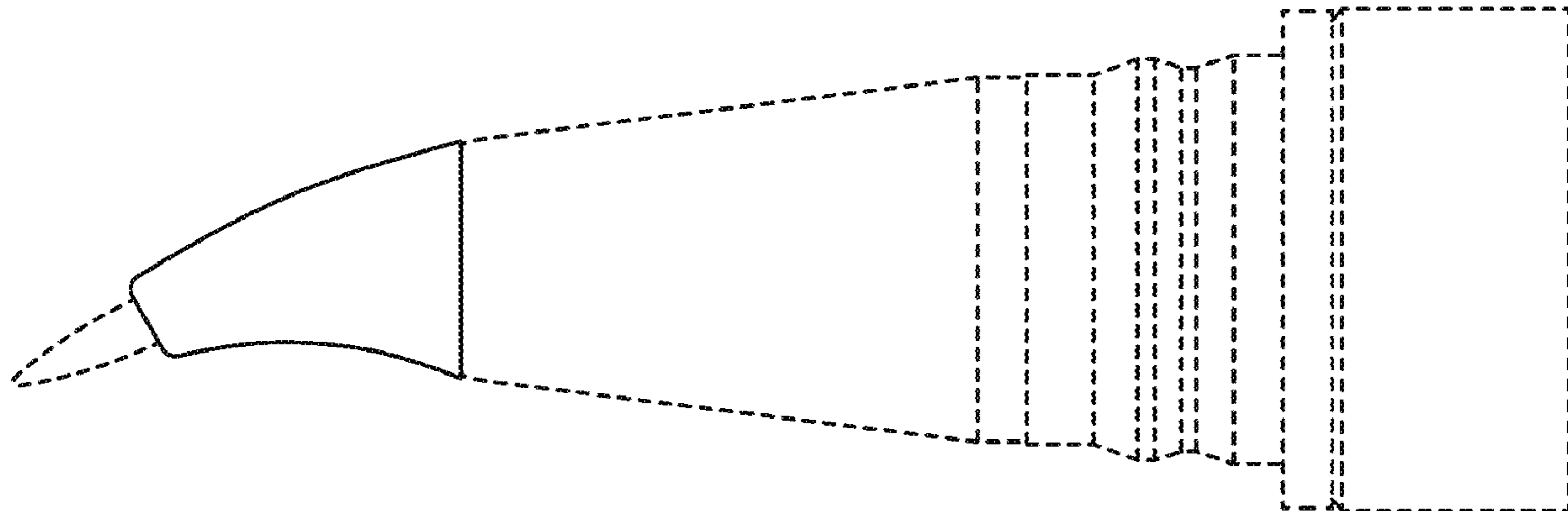
FIG. 1 is a front view of a cosmetic applicator of the present invention.
FIG. 2 is a rear view thereof.
FIG. 3 is a top plan view thereof.
FIG. 4 is a bottom view thereof.
FIG. 5 is a right side view thereof.
FIG. 6 is a left side view thereof.
FIG. 7 is a perspective view thereof.
FIG. 8 is an enlarged front view thereof, taken along the line 8-8 of FIG. 1.
FIG. 9 is an enlarged left side view thereof; and,
FIG. 10 is an enlarged perspective view thereof, taken along the line 10-10 of FIG. 7.
The broken lines showing portions of the cosmetic applicator form no part of the claimed design.

(56) **References Cited**

U.S. PATENT DOCUMENTS

D681,876 S * 5/2013 Murdock D28/7
D693,059 S * 11/2013 Tani D28/7
D709,647 S * 7/2014 Venters D28/7
D746,513 S * 12/2015 Monical D28/7
D792,217 S * 7/2017 Still D28/7
D848,674 S * 5/2019 Zu D28/7
2016/0278896 A1 9/2016 Zhou

1 Claim, 10 Drawing Sheets



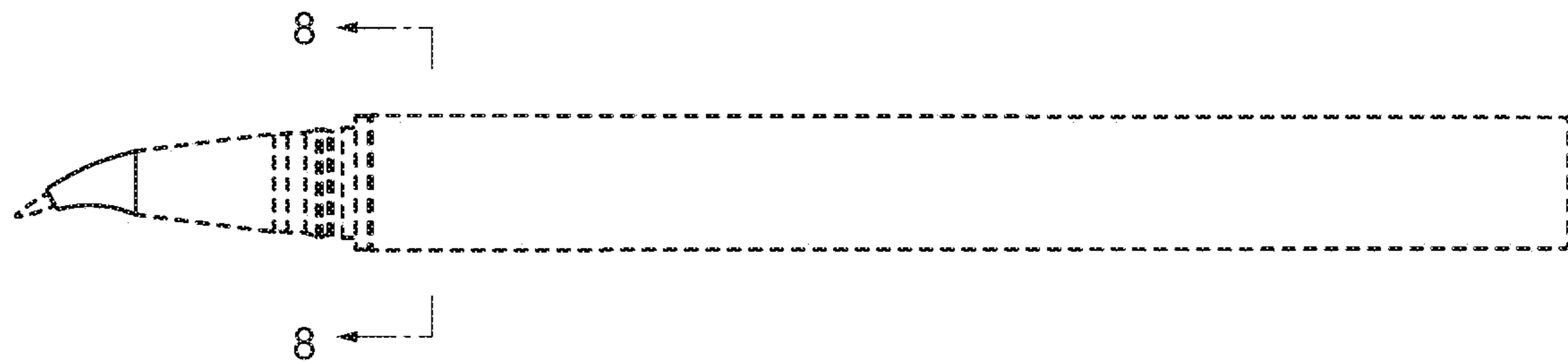


Fig. 1



Fig. 2

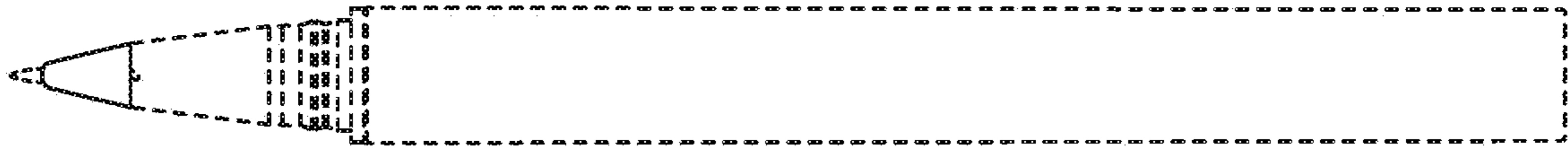


Fig. 3

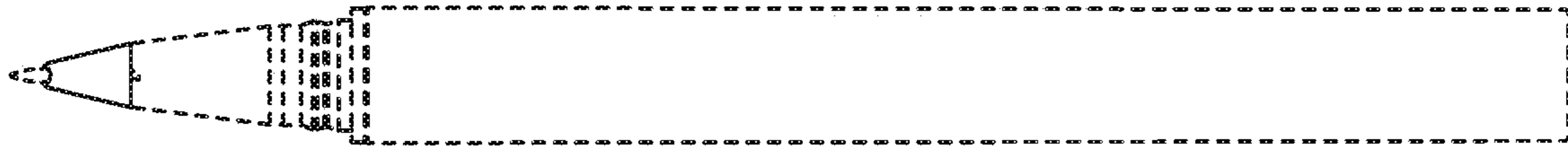


Fig. 4



Fig. 5



Fig. 6

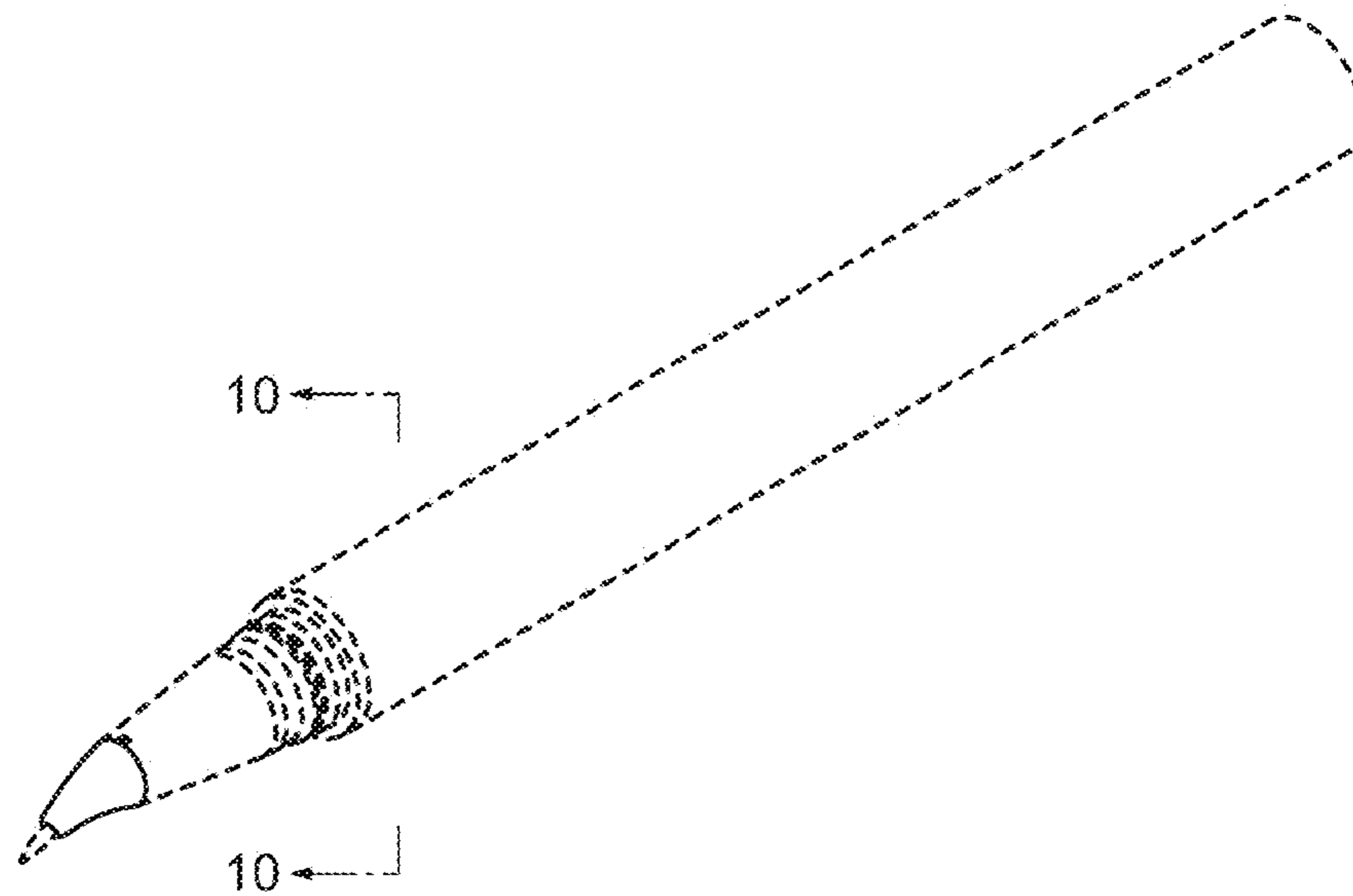


Fig. 7

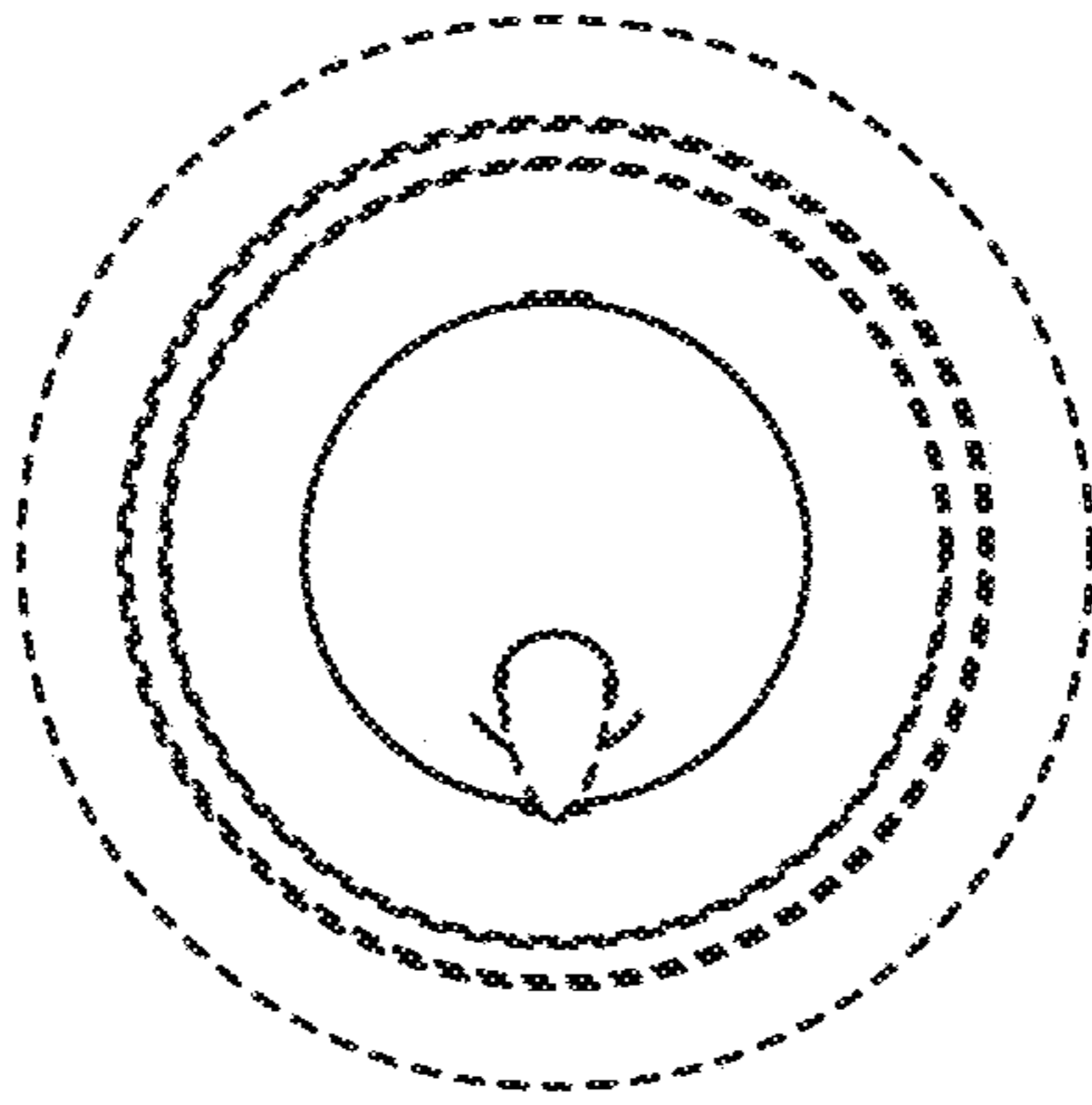


Fig. 9

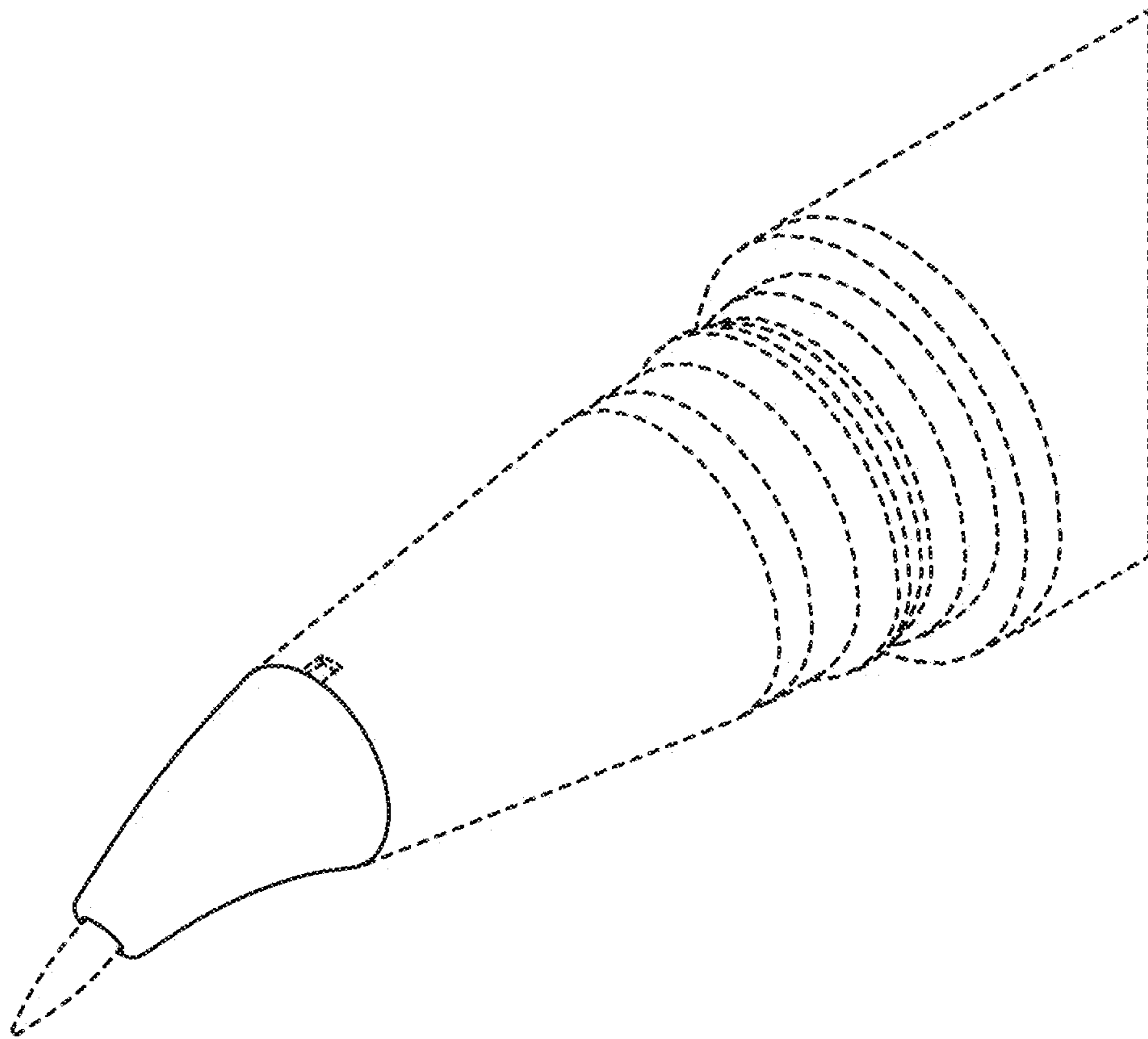


Fig. 10