



US00D877977S

(12) **United States Design Patent**  
**Ding et al.**

(10) **Patent No.:** **US D877,977 S**

(45) **Date of Patent:** **\*\* Mar. 10, 2020**

(54) **ELECTRONIC CIGARETTE ATOMIZER**

(71) Applicant: **ALD GROUP LIMITED**, Shenzhen,  
Guangdong Province (CN)

(72) Inventors: **Yi Ding**, Shenzhen (CN); **Mingming  
Zhou**, Shenzhen (CN)

(\*\*) Term: **15 Years**

(21) Appl. No.: **29/672,178**

(22) Filed: **Dec. 4, 2018**

(51) **LOC (12) Cl.** ..... **27-02**

(52) **U.S. Cl.**  
USPC ..... **D27/162**

(58) **Field of Classification Search**  
USPC ..... D27/162, 100, 101, 163–165, 167–170,  
D27/172, 183, 185–194; D24/110, 110.5;  
131/270, 273, 274, 191, 329, 330,  
131/360–365; 128/202.21, 203.12  
CPC .... A24F 47/002; A24F 47/004; A24F 47/006;  
A24F 47/008; A61M 15/06  
See application file for complete search history.

(56) **References Cited**

**U.S. PATENT DOCUMENTS**

D339,746 S \* 9/1993 Bunce ..... D9/522  
D561,891 S \* 2/2008 Lithgow ..... D24/110  
D583,463 S \* 12/2008 Wood ..... D24/110  
D592,301 S \* 5/2009 Cork ..... D24/110

D612,480 S \* 3/2010 Cork ..... D24/110  
D613,395 S \* 4/2010 Nakao ..... D24/110  
D627,638 S \* 11/2010 Bodet ..... D9/448  
D746,680 S \* 1/2016 Orasche ..... D9/448  
D793,546 S \* 8/2017 Ahern ..... D24/110  
D795,414 S \* 8/2017 Soni ..... D24/110  
D797,920 S \* 9/2017 Lamba ..... D24/110  
D820,515 S \* 6/2018 Nettenstrom ..... D27/167  
D836,243 S \* 12/2018 Liu ..... D27/167  
D863,529 S \* 10/2019 Clement ..... D24/110

\* cited by examiner

*Primary Examiner* — Marissa J Cash  
*Assistant Examiner* — Rebecca Tsehaye  
(74) *Attorney, Agent, or Firm* — HYIP

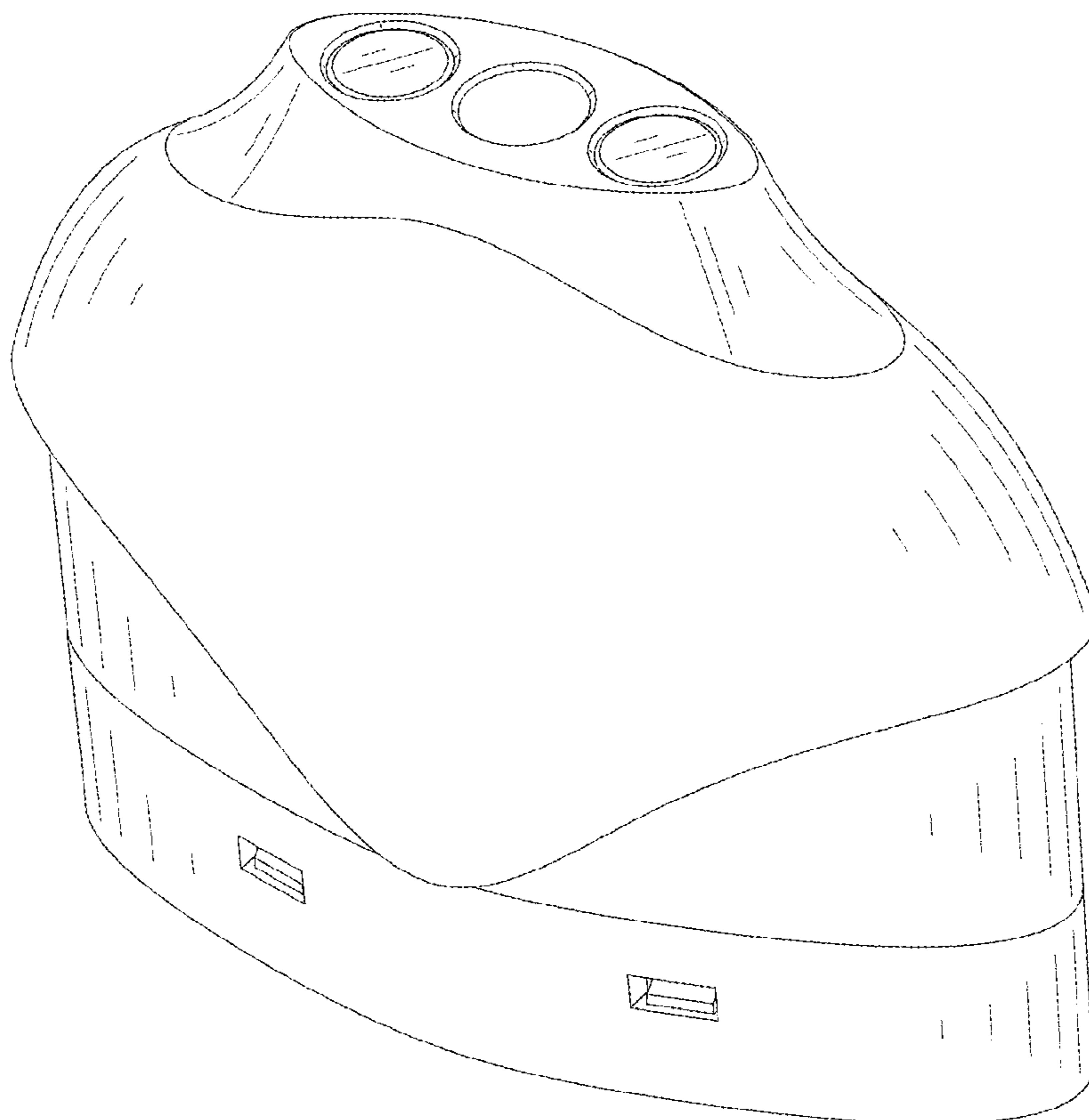
(57) **CLAIM**

The ornamental design for an electronic cigarette atomizer,  
as shown and described.

**DESCRIPTION**

FIG. 1 is a perspective view of an electronic cigarette atomizer showing my new design;  
FIG. 2 is another perspective view thereof;  
FIG. 3 is a front view thereof;  
FIG. 4 is a rear view thereof;  
FIG. 5 is a left side view thereof;  
FIG. 6 is a right side view thereof;  
FIG. 7 is a top view thereof; and,  
FIG. 8 is a bottom view thereof.

**1 Claim, 8 Drawing Sheets**



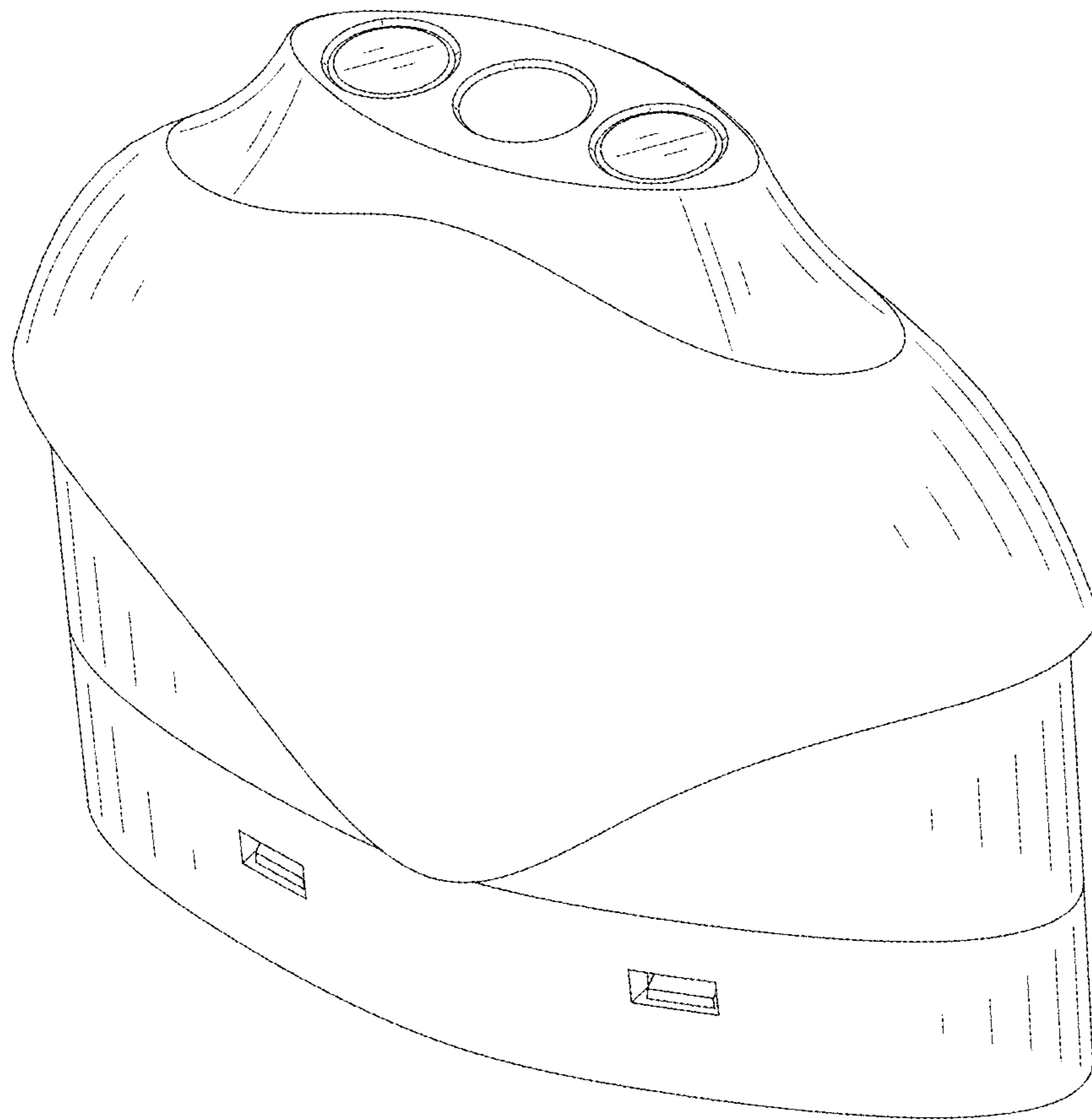


FIG.1

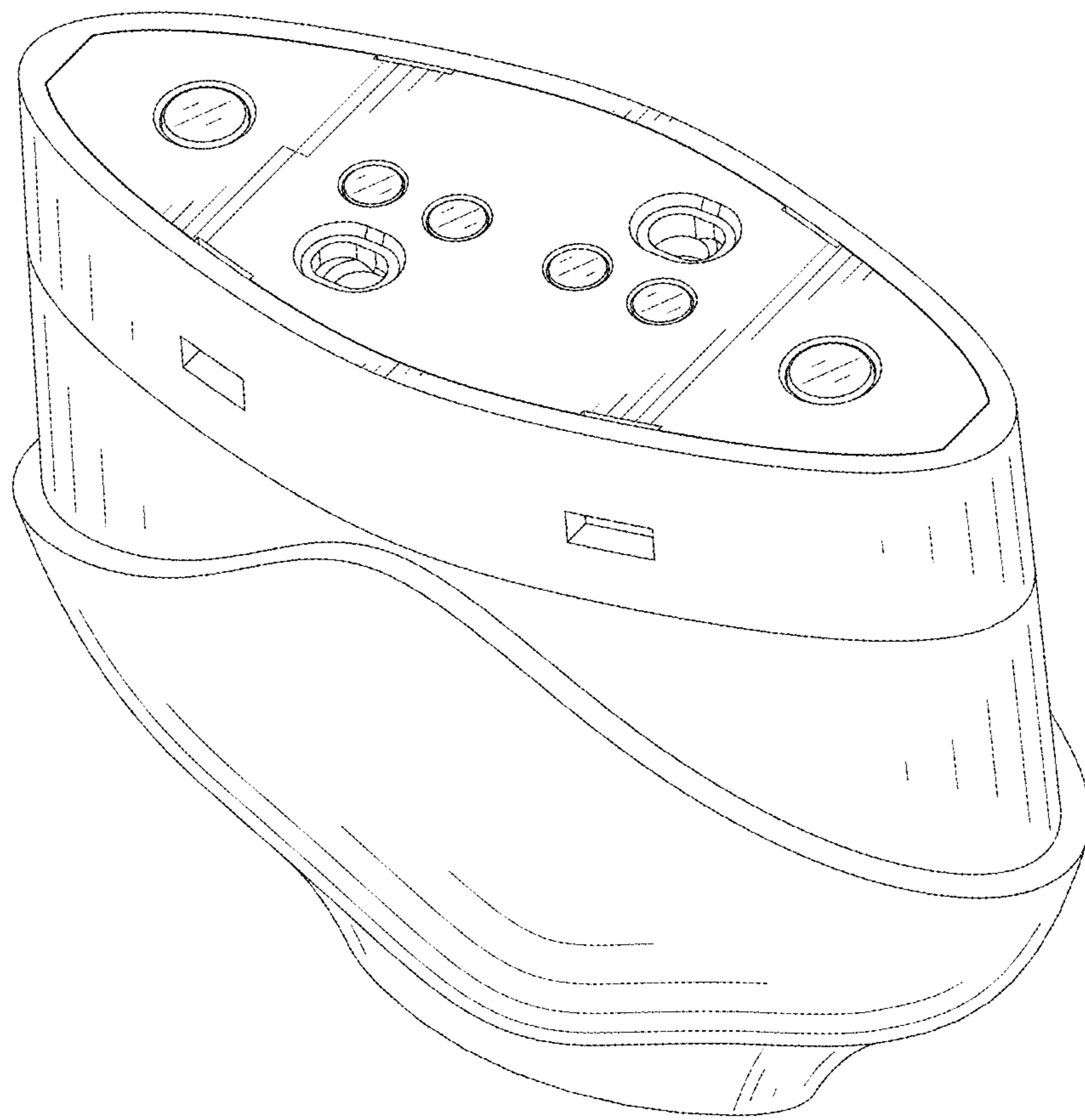


FIG.2

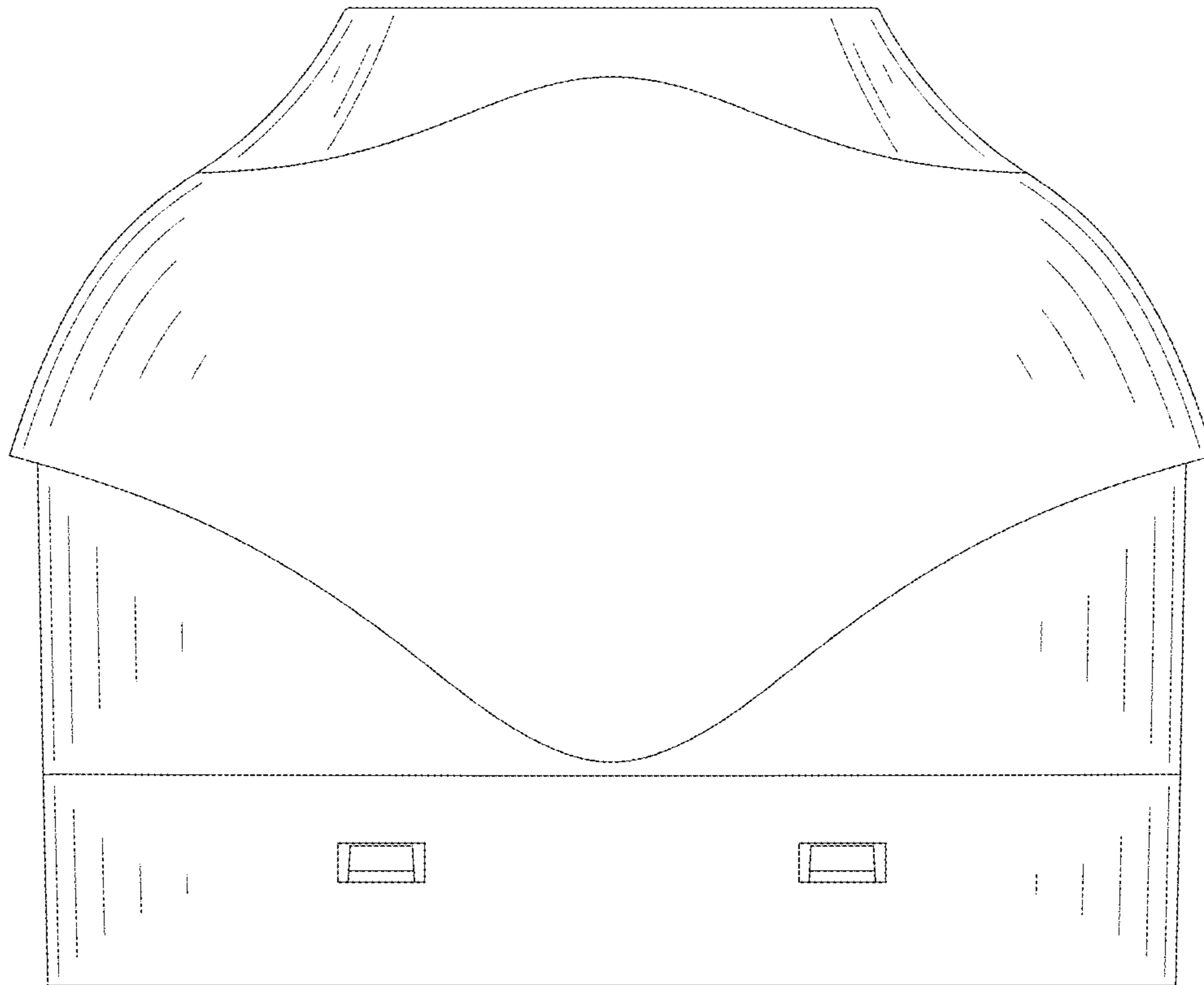


FIG.3

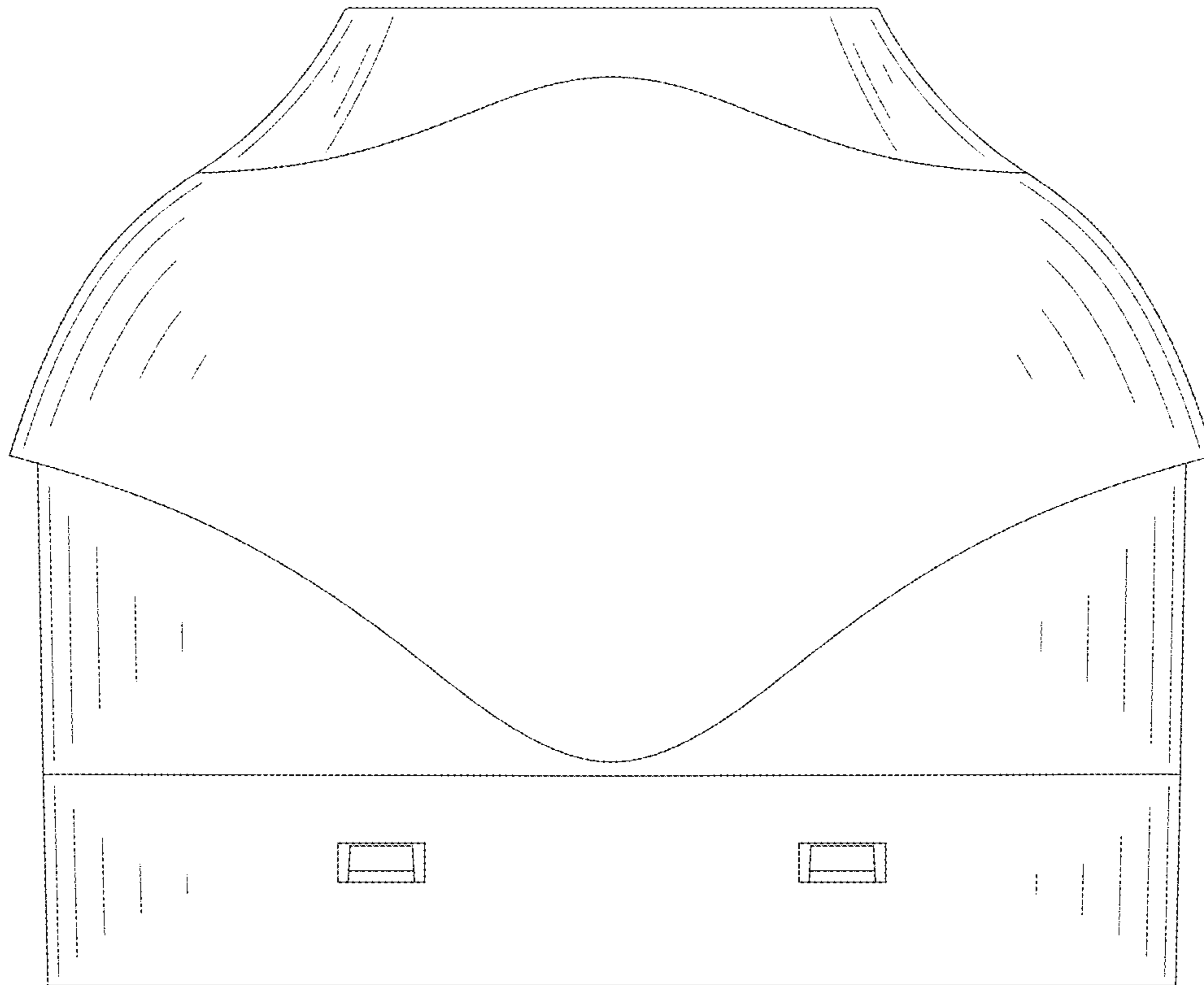


FIG.4

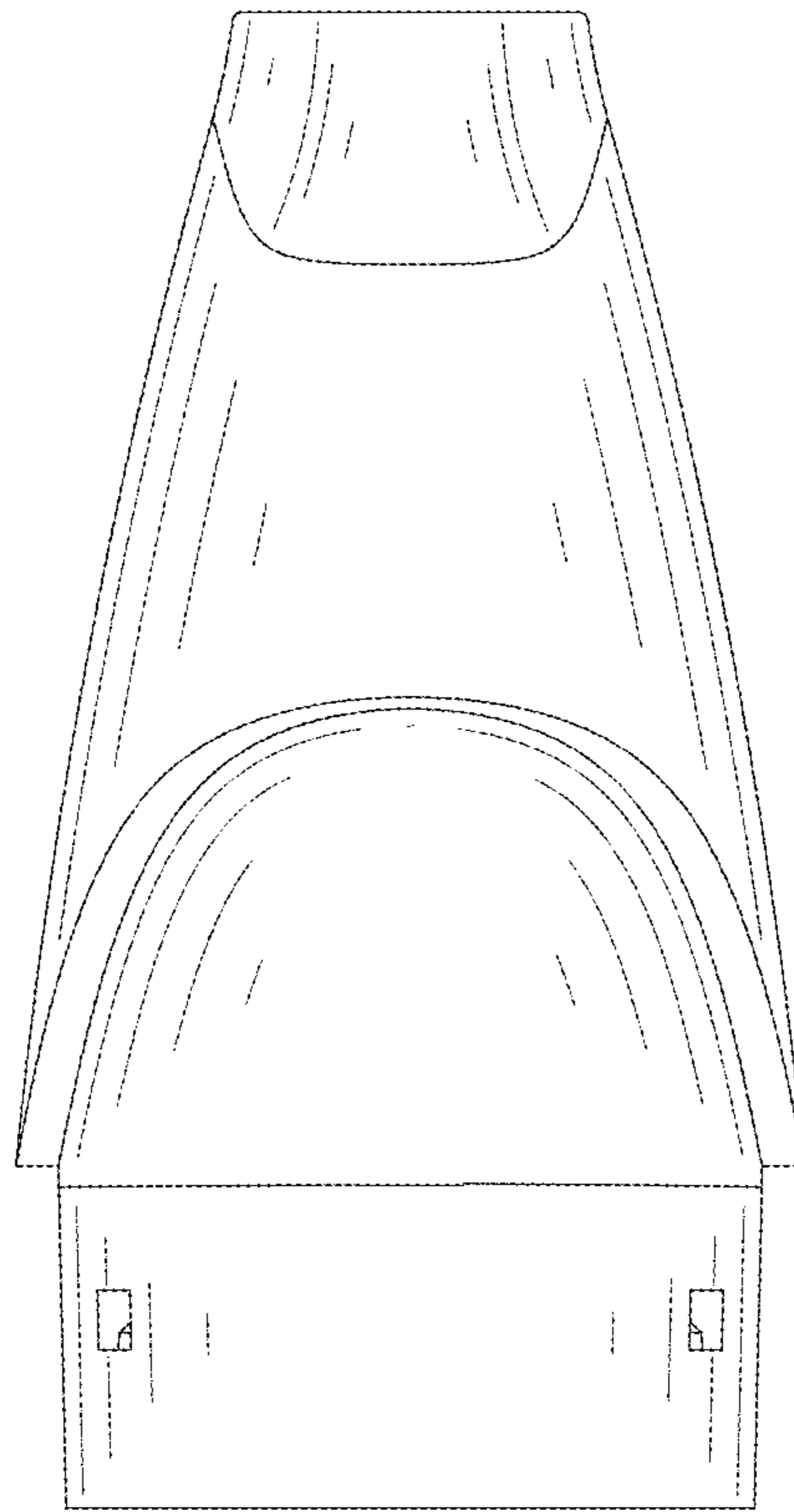


FIG. 5

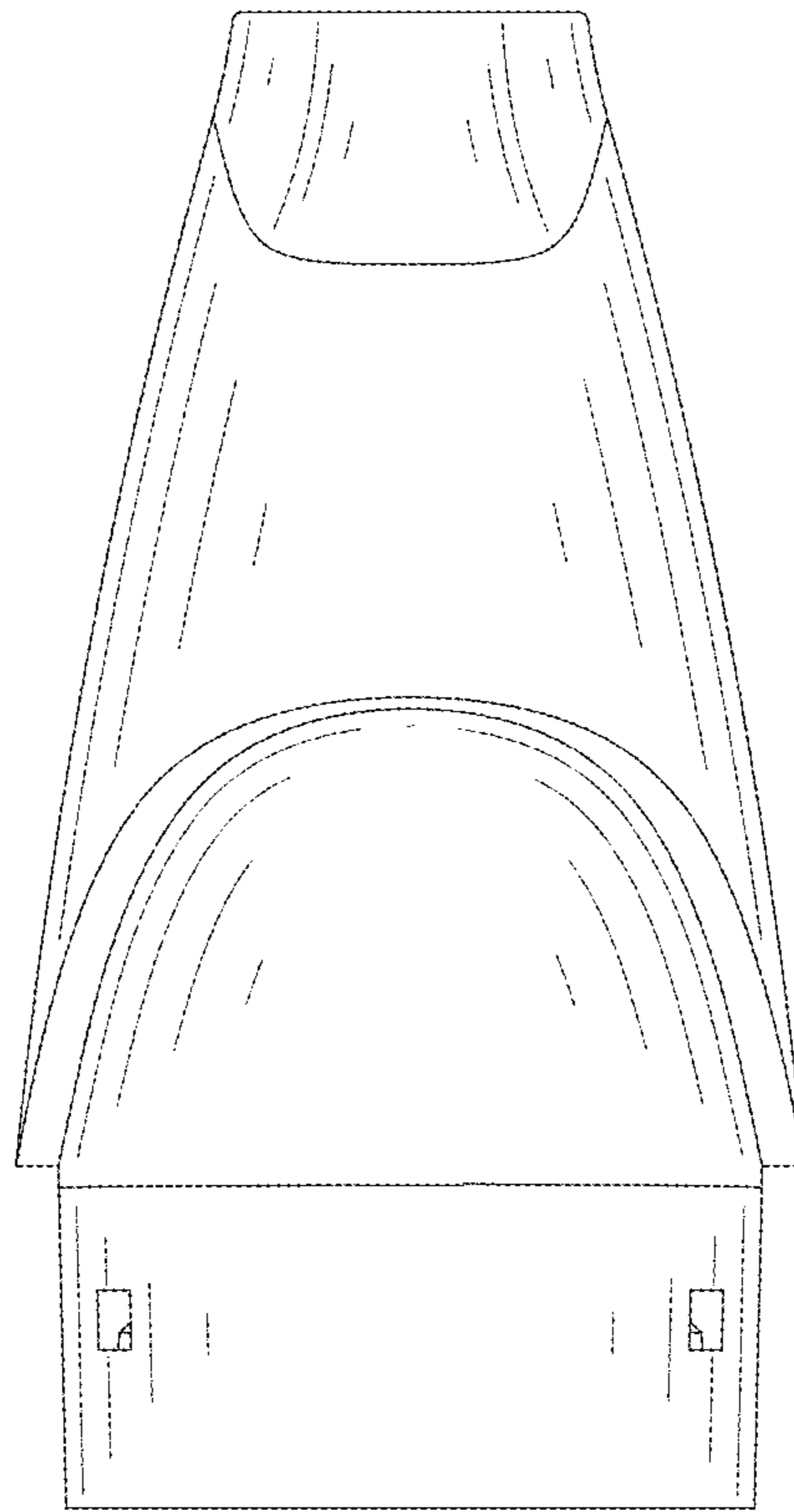


FIG.6

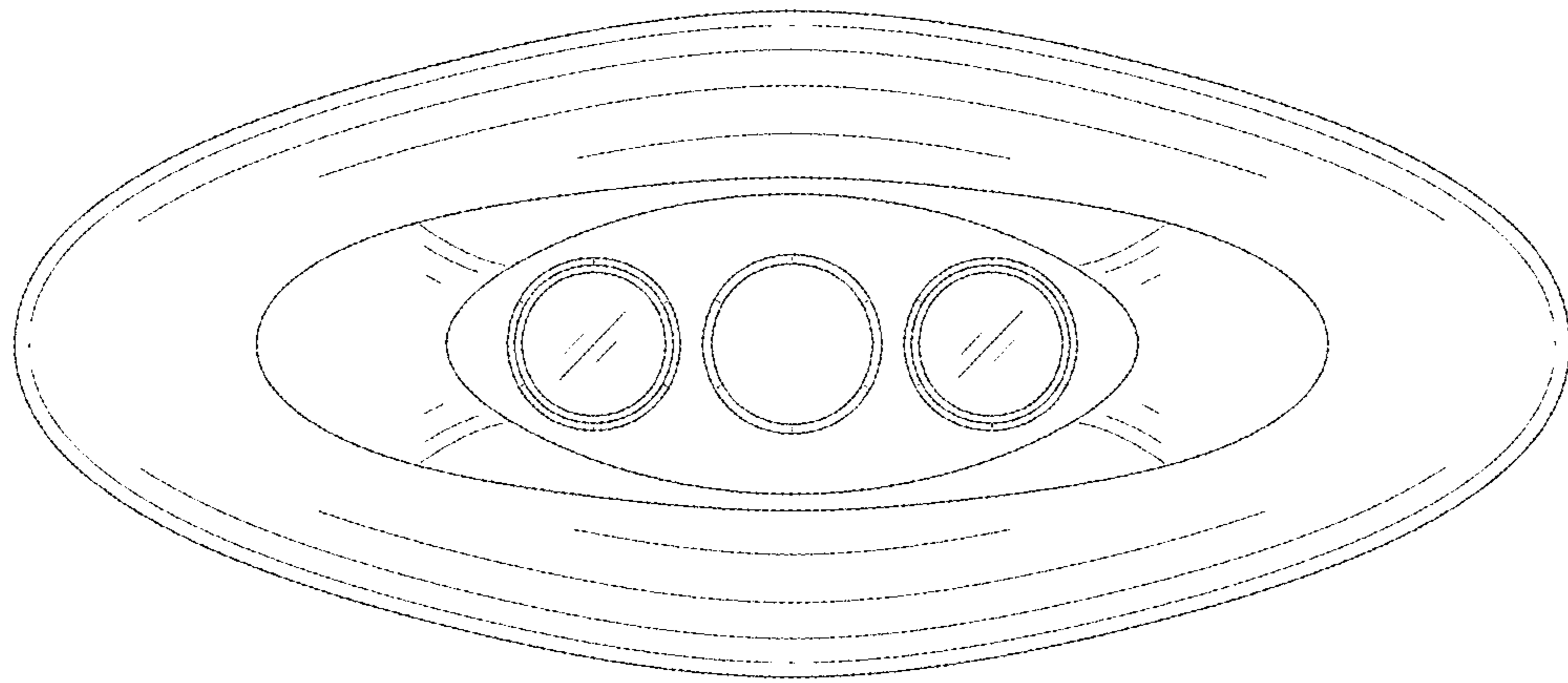


FIG.7



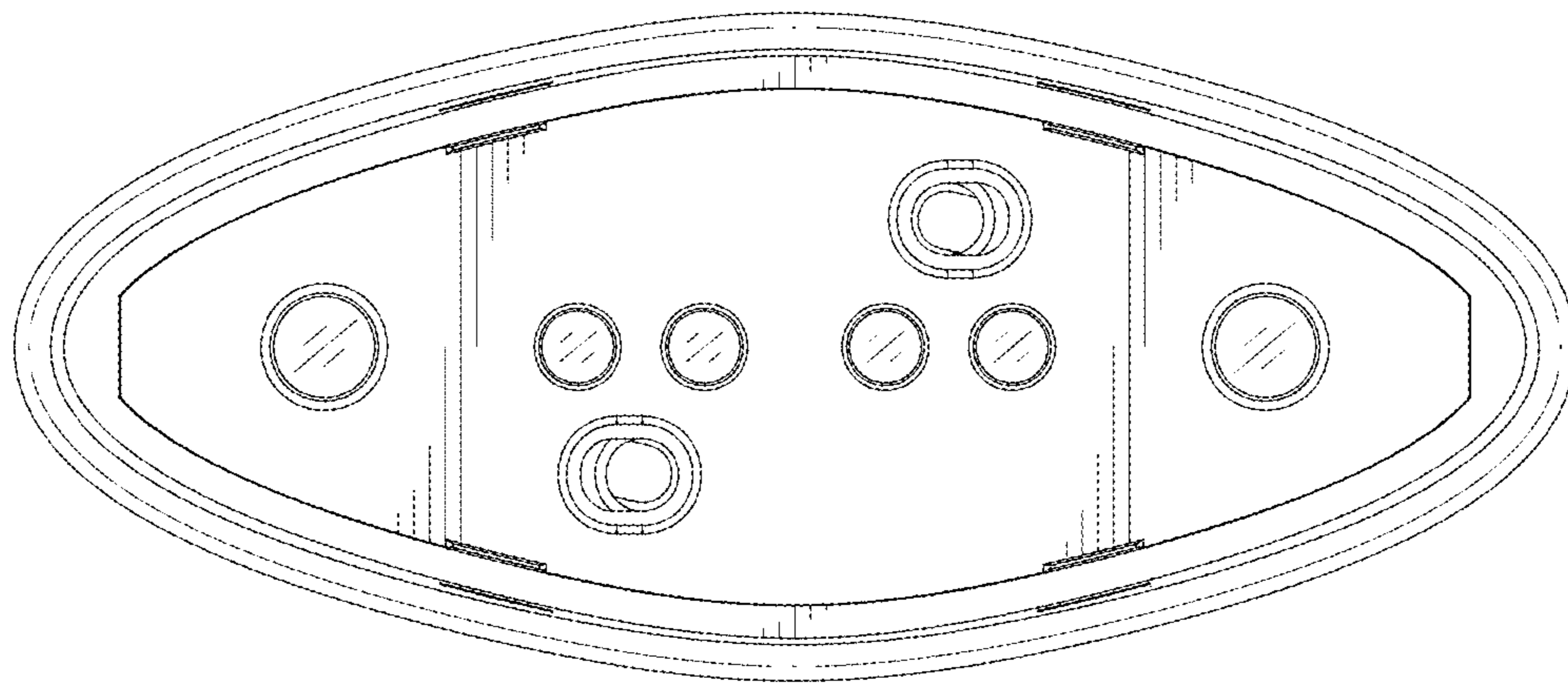


FIG.8