

US00D877976S

(12) **United States Design Patent**
Ding et al.

(10) **Patent No.:** **US D877,976 S**

(45) **Date of Patent:** **** Mar. 10, 2020**

- (54) **ELECTRONIC CIGARETTE**
- (71) Applicant: **ALD GROUP LIMITED**, Shenzhen, Guangdong Province (CN)
- (72) Inventors: **Yi Ding**, Shenzhen (CN); **Mingming Zhou**, Shenzhen (CN)
- (**) Term: **15 Years**
- (21) Appl. No.: **29/670,958**
- (22) Filed: **Nov. 21, 2018**
- (51) **LOC (12) Cl.** **27-02**
- (52) **U.S. Cl.**
USPC **D27/162**
- (58) **Field of Classification Search**
USPC D27/162, 100, 101, 163–165, 172, 183, D27/185–194; D24/110, 110.5; 131/270, 131/273, 274, 191, 329, 330, 360–365; 128/202.21, 203.12
CPC A24F 47/002; A24F 47/004; A24F 47/006; A24F 47/008; A61M 15/06
See application file for complete search history.

D829,980 S	*	10/2018	Qiu	D27/162
D832,500 S	*	10/2018	Qiu	D27/162
D834,246 S	*	11/2018	Qiu	D27/162
D836,831 S	*	12/2018	Cividi	D27/162
D837,446 S	*	1/2019	Durand	D27/101
D859,735 S	*	9/2019	Qiu	D27/162
D860,519 S	*	9/2019	Cividi	D27/162
D861,973 S	*	10/2019	Qiu	D27/101
D861,975 S	*	10/2019	Bowen	D27/162
D864,470 S	*	10/2019	Huang	D27/101
D864,474 S	*	10/2019	Smith	D27/162

* cited by examiner

Primary Examiner — Marissa J Cash
Assistant Examiner — Rebecca Tsehaye
(74) *Attorney, Agent, or Firm* — HYIP

(57) **CLAIM**

The ornamental design for an electronic cigarette, as shown and described.

DESCRIPTION

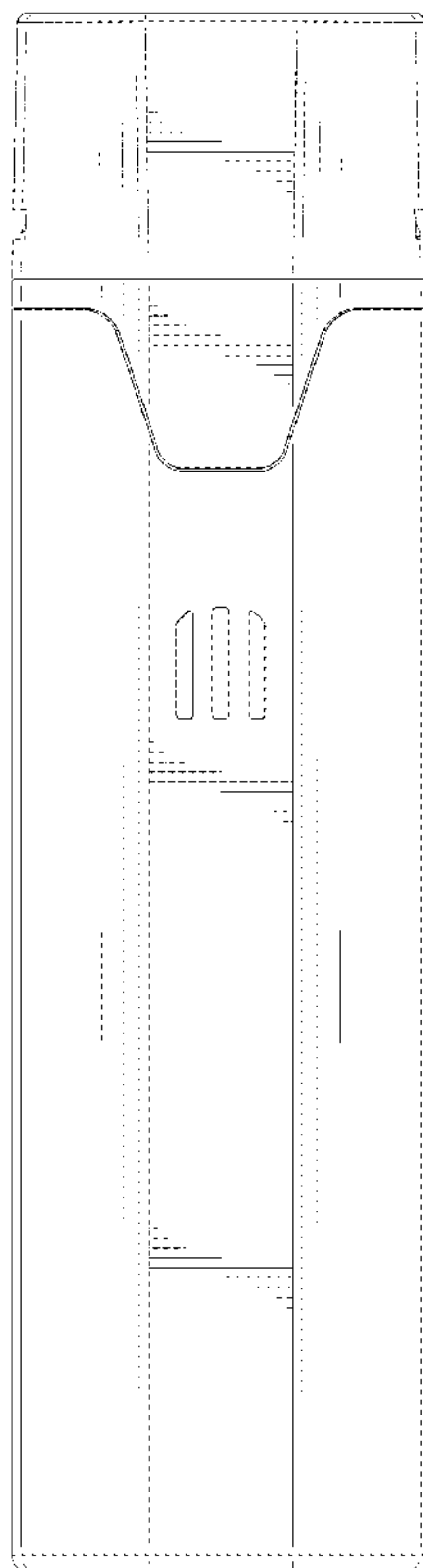
FIG. 1 is a front view of an electronic cigarette showing my new design;
FIG. 2 is a rear view thereof;
FIG. 3 is a left side view thereof;
FIG. 4 is a right side view thereof;
FIG. 5 is a top view thereof; and
FIG. 6 is a bottom view thereof; and,
FIG. 7 is a perspective view thereof.
The broken lines depict portions of the electronic cigarette that form no part of the claimed design.

1 Claim, 7 Drawing Sheets

(56) **References Cited**

U.S. PATENT DOCUMENTS

D799,110 S	*	10/2017	Qiu	D27/101
D822,896 S	*	7/2018	Durand	D27/101
D825,102 S	*	8/2018	Bowen	D27/167
D825,834 S	*	8/2018	Chen	D27/101
D829,371 S	*	9/2018	Durand	D27/101



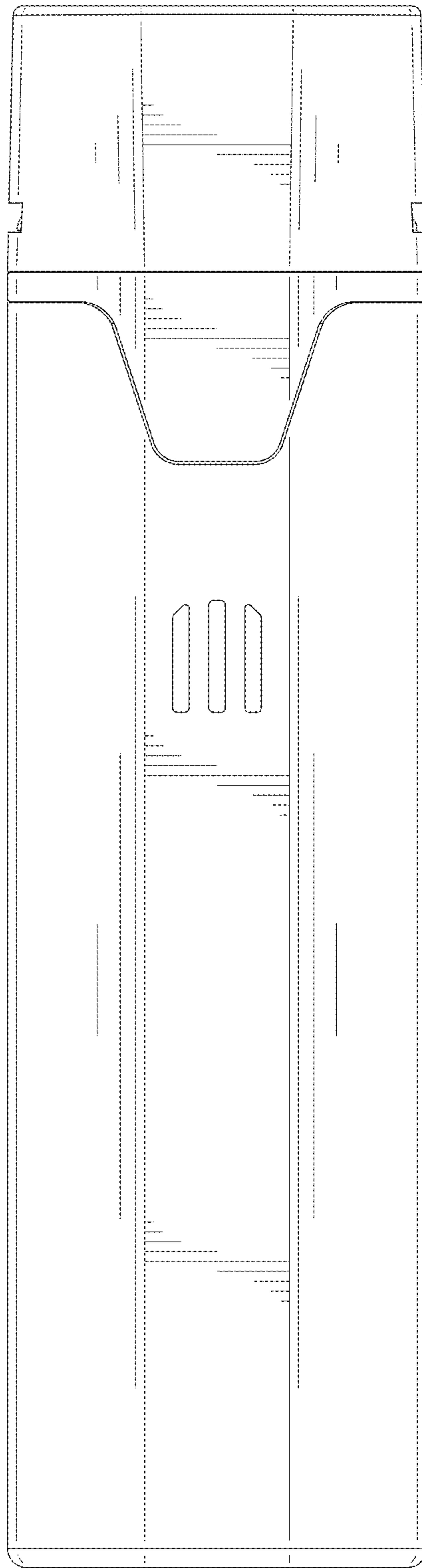


FIG.1

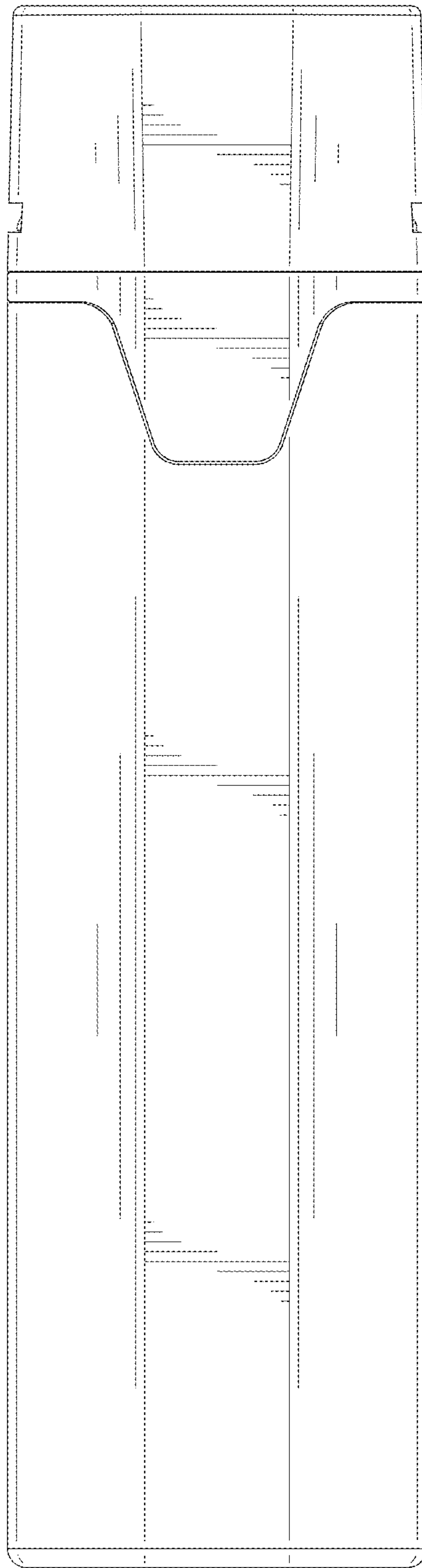


FIG.2

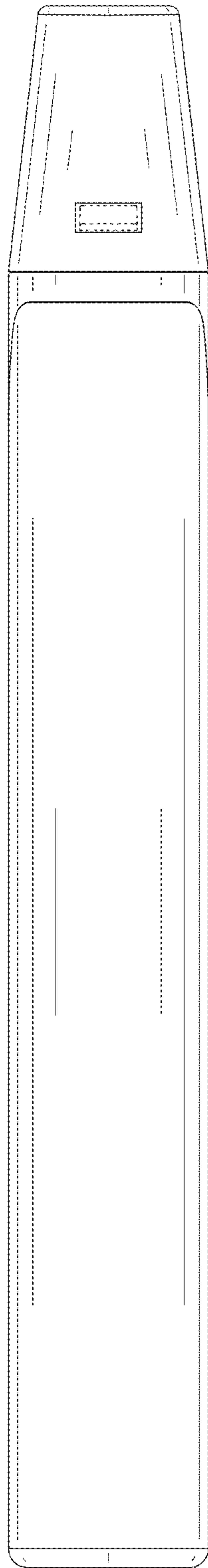


FIG.3

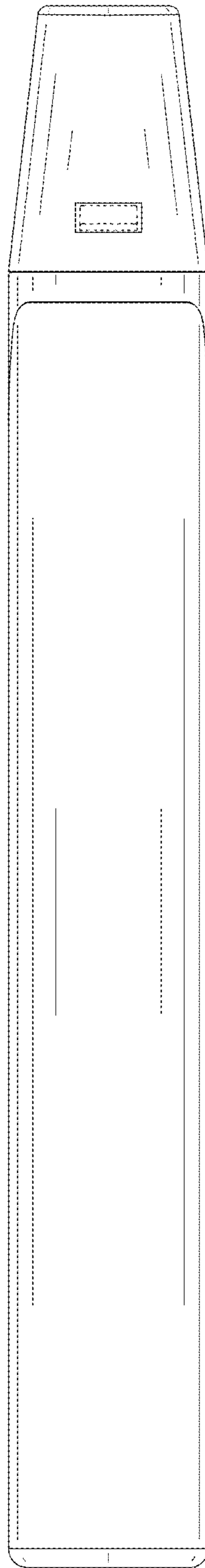


FIG.4

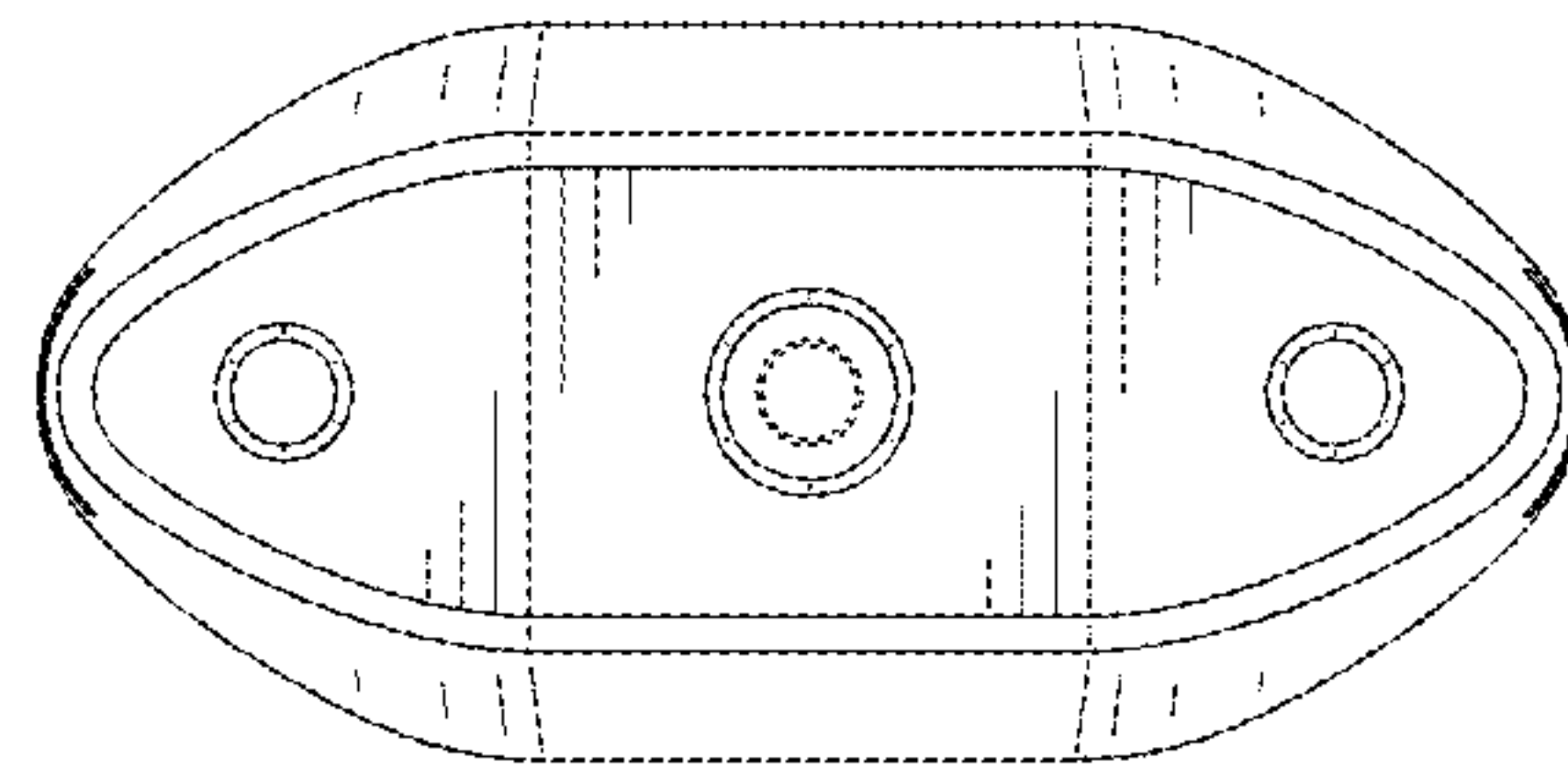


FIG.5

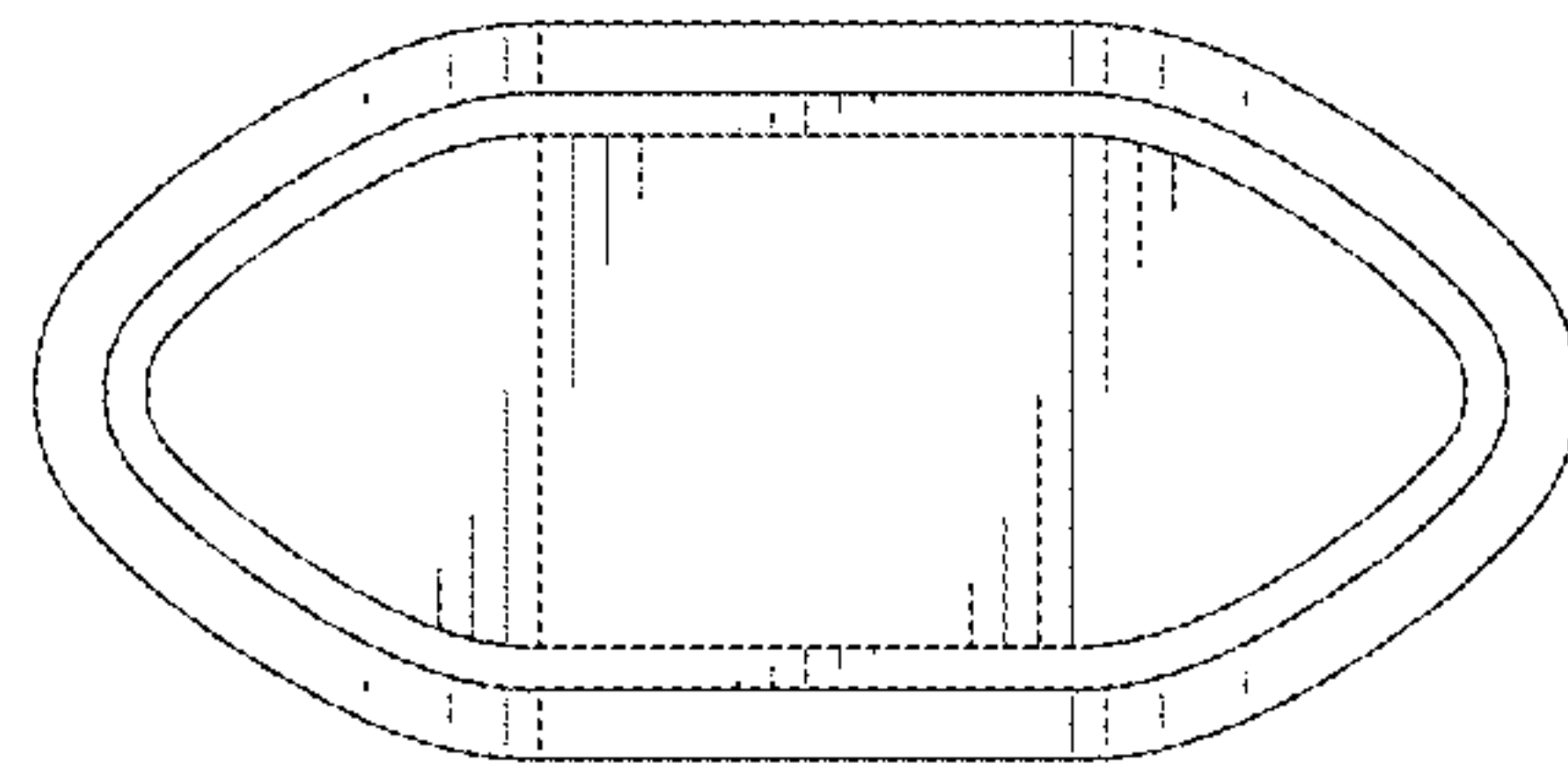


FIG.6

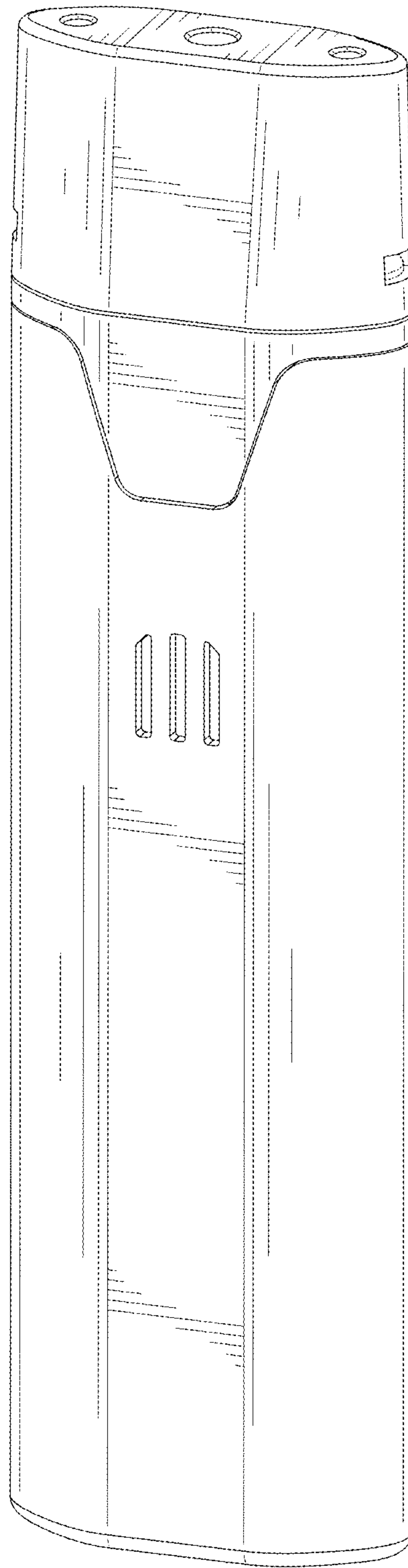


FIG.7