



US00D877975S

(12) **United States Design Patent**
Crowe

(10) **Patent No.:** **US D877,975 S**
(45) **Date of Patent:** **** Mar. 10, 2020**

- (54) **ATOMIZER**
- (71) Applicant: **Vuber Technologies**, Seattle, WA (US)
- (72) Inventor: **David Crowe**, Lake Forest Park, WA (US)
- (73) Assignee: **Vuber Technologies, Inc.**, Seattle, WA (US)
- (**) Term: **15 Years**
- (21) Appl. No.: **29/623,985**
- (22) Filed: **Oct. 28, 2017**
- (51) **LOC (12) Cl.** **27-02**
- (52) **U.S. Cl.**
USPC **D27/162**
- (58) **Field of Classification Search**
USPC D27/100, 101, 162, 163–194;
D19/115–123, 161–169; D24/110;
D23/366
CPC A24F 47/008; A24F 47/002; A24F 7/02;
A61M 15/06
See application file for complete search history.

D800,382 S *	10/2017	Mathias	D27/167
9,795,169 B1 *	10/2017	Zhu	A24F 47/008
9,795,170 B1 *	10/2017	Zhu	A24F 47/008
D804,718 S *	12/2017	Mathias	D27/162
D806,943 S *	1/2018	Liu	D27/101
D811,652 S *	2/2018	Liu	D27/167
9,883,698 B2 *	2/2018	Zhu	H05B 3/42
D813,448 S *	3/2018	Servutas	D27/167
D814,694 S *	4/2018	Watson	D27/194
D815,349 S *	4/2018	Watson	D27/194
D817,544 S *	5/2018	Chen	D27/167
9,980,513 B2 *	5/2018	Chen	A24F 47/008
D821,641 S *	6/2018	Watson	D27/194
10,004,271 B2 *	6/2018	Li	A24F 47/008
10,004,275 B2 *	6/2018	Li	F16L 55/115
D826,470 S *	8/2018	Huang	D27/167
D828,623 S *	9/2018	Fornarelli	D27/194
D832,498 S *	10/2018	Chen	D27/101
D849,317 S *	5/2019	Qiu	D27/162
D849,318 S *	5/2019	Deng	D27/162
2013/0180533 A1 *	7/2013	Kim	A24F 47/008 131/273
2014/0360514 A1 *	12/2014	Zhu	A24F 47/008 131/329
2015/0128977 A1 *	5/2015	Li	H05B 3/06 131/329
2015/0136124 A1 *	5/2015	Aronie	A24F 47/008 128/202.21

(Continued)

Primary Examiner — Marissa J Cash

(74) *Attorney, Agent, or Firm* — Walker Weitzel

(56) **References Cited**

U.S. PATENT DOCUMENTS

D652,571 S *	1/2012	Shenassa	D27/163
D727,562 S *	4/2015	Li	D27/101
D729,440 S *	5/2015	Liu	D27/101
D740,488 S *	10/2015	Leidel	D27/167
D749,261 S *	2/2016	Chen	D27/162
D771,307 S *	11/2016	Wu	D27/101
D774,247 S *	12/2016	Chen	D27/101
D777,372 S *	1/2017	Liu	D27/167
D792,022 S *	7/2017	Li	D27/167
D795,495 S *	8/2017	Li	D27/100
D799,114 S *	10/2017	Li	D27/167
D799,747 S *	10/2017	Champion	D27/169

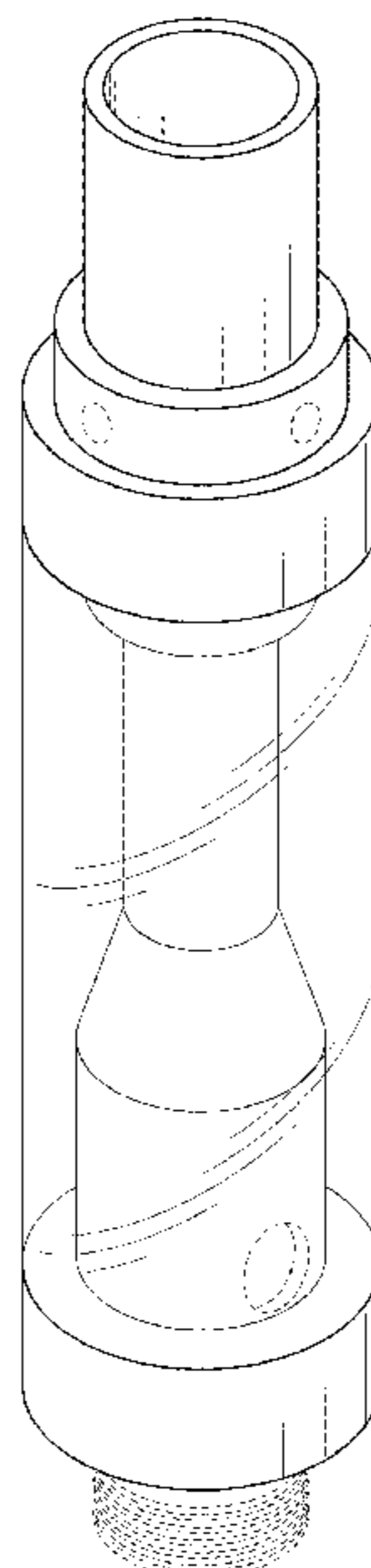
(57) **CLAIM**

The ornamental design for an atomizer, substantially as shown and described.

DESCRIPTION

FIG. 1 is a perspective view of the atomizer.
FIG. 2 is side view thereof.
FIG. 3 is top view thereof; and,
FIG. 4 is a bottom view thereof.

1 Claim, 3 Drawing Sheets



(56)

References Cited

U.S. PATENT DOCUMENTS

2015/0257444	A1*	9/2015	Chung	A24F 47/008	2016/0262452	A1*	9/2016	Zhu	A24F 47/008
					131/329	2016/0295920	A1*	10/2016	Liu	H05B 3/0014
2015/0257446	A1*	9/2015	Chung	A24F 47/008	2017/0006923	A1*	1/2017	Li	B67D 99/00
					131/329	2017/0013881	A1*	1/2017	Liu	A24F 47/008
2015/0282530	A1*	10/2015	Johnson	A61M 15/06	2017/0049153	A1*	2/2017	Guo	A24F 47/008
					392/387	2017/0079327	A1*	3/2017	Wu	A24F 47/008
2015/0335073	A1*	11/2015	Li	A24F 47/008	2017/0105451	A1*	4/2017	Fornarelli	A24F 47/008
					131/329	2017/0105453	A1*	4/2017	Li	A24F 47/008
2015/0374039	A1*	12/2015	Zhu	A24F 47/008	2017/0202268	A1*	7/2017	Li	A24F 7/02
					131/329	2017/0208869	A1*	7/2017	Li	F16L 55/115
2016/0000145	A1*	1/2016	Liu	A61M 15/06	2017/0280770	A1*	10/2017	Wang	A24F 47/008
					131/329	2017/0311384	A1*	10/2017	Wu	A61M 11/042
2016/0007654	A1*	1/2016	Zhu	A24F 47/008	2017/0367404	A1*	12/2017	Li	A24F 47/008
					131/328	2018/0000156	A1*	1/2018	Qiu	A24F 47/008
2016/0106153	A1*	4/2016	Zhu	A47F 47/008	2018/0007961	A1*	1/2018	Zhu	A24F 47/008
					131/329	2018/0007963	A1*	1/2018	Zhu	H05B 3/42
2016/0113327	A1*	4/2016	Wu	H05B 3/06	2018/0014577	A1*	1/2018	Qiu	A24F 47/00
					131/329	2018/0049470	A1*	2/2018	Chen	A24F 47/008
2016/0121058	A1*	5/2016	Chen	A61M 11/04	2018/0064172	A1*	3/2018	Qiu	A24F 47/008
					128/200.19	2018/0071465	A1*	3/2018	Zhao	A61M 11/042
2016/0192707	A1*	7/2016	Li	A24F 47/008	2018/0077968	A1*	3/2018	Qiu	A24F 47/008
					131/329	2018/0084823	A1*	3/2018	Fuisz	A24B 15/24
						2018/0116295	A1*	5/2018	Qiu	A24F 47/008
						2018/0146716	A1*	5/2018	Chen	H05B 3/44
						2018/0153222	A1*	6/2018	Shen	B67D 7/36
						2018/0168236	A1*	6/2018	Qiu	A24F 47/008

* cited by examiner

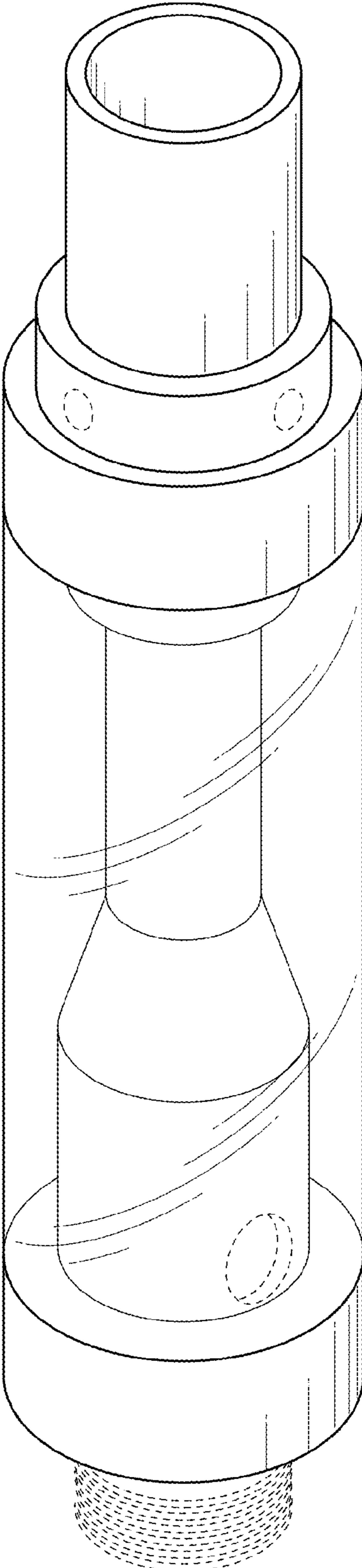


FIG. 1

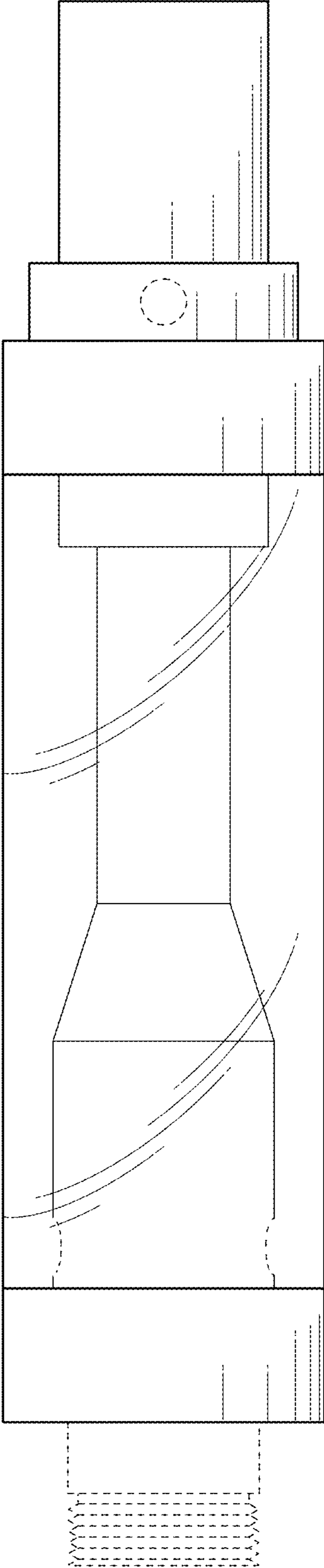


FIG. 2

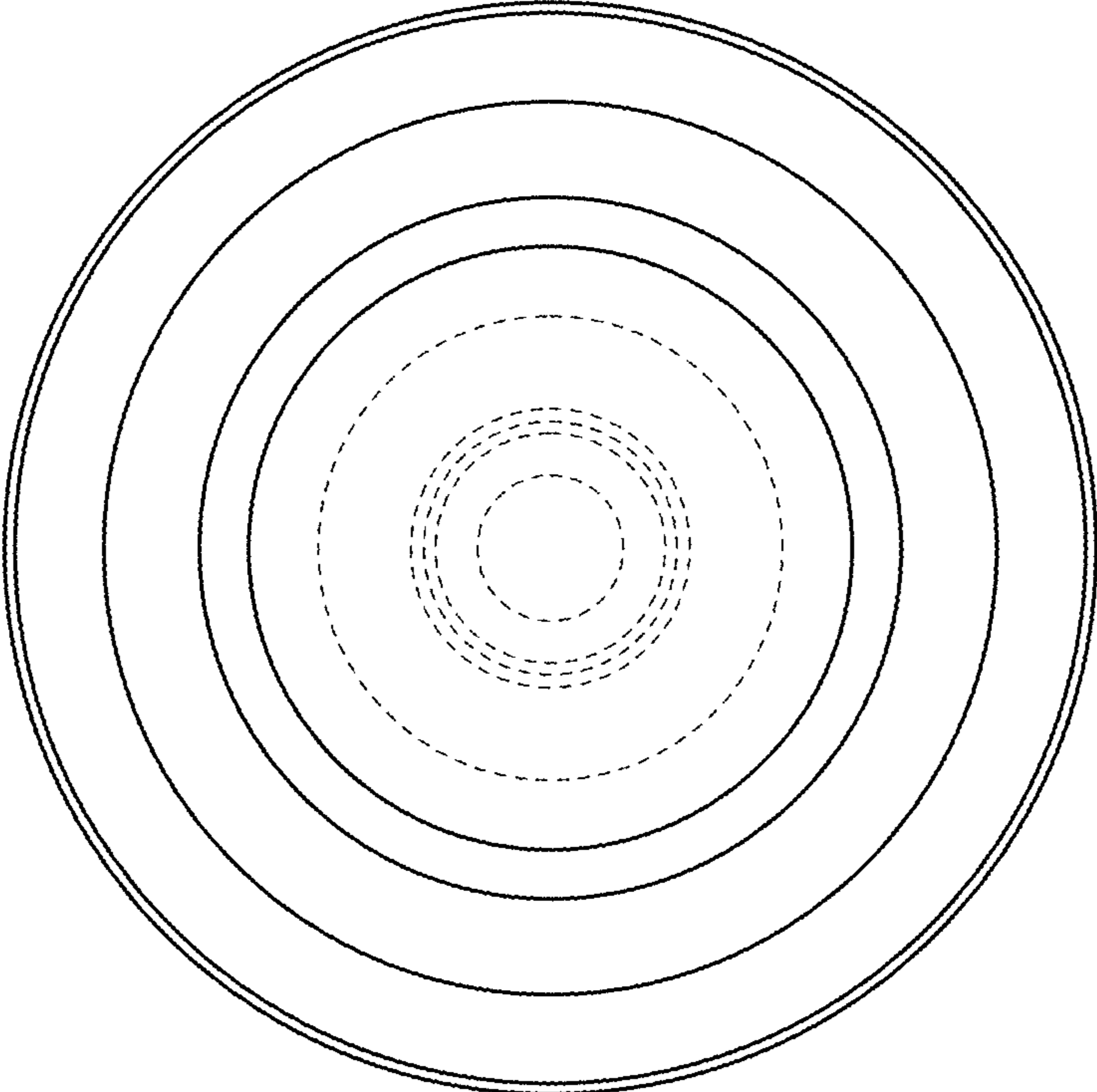


FIG. 3

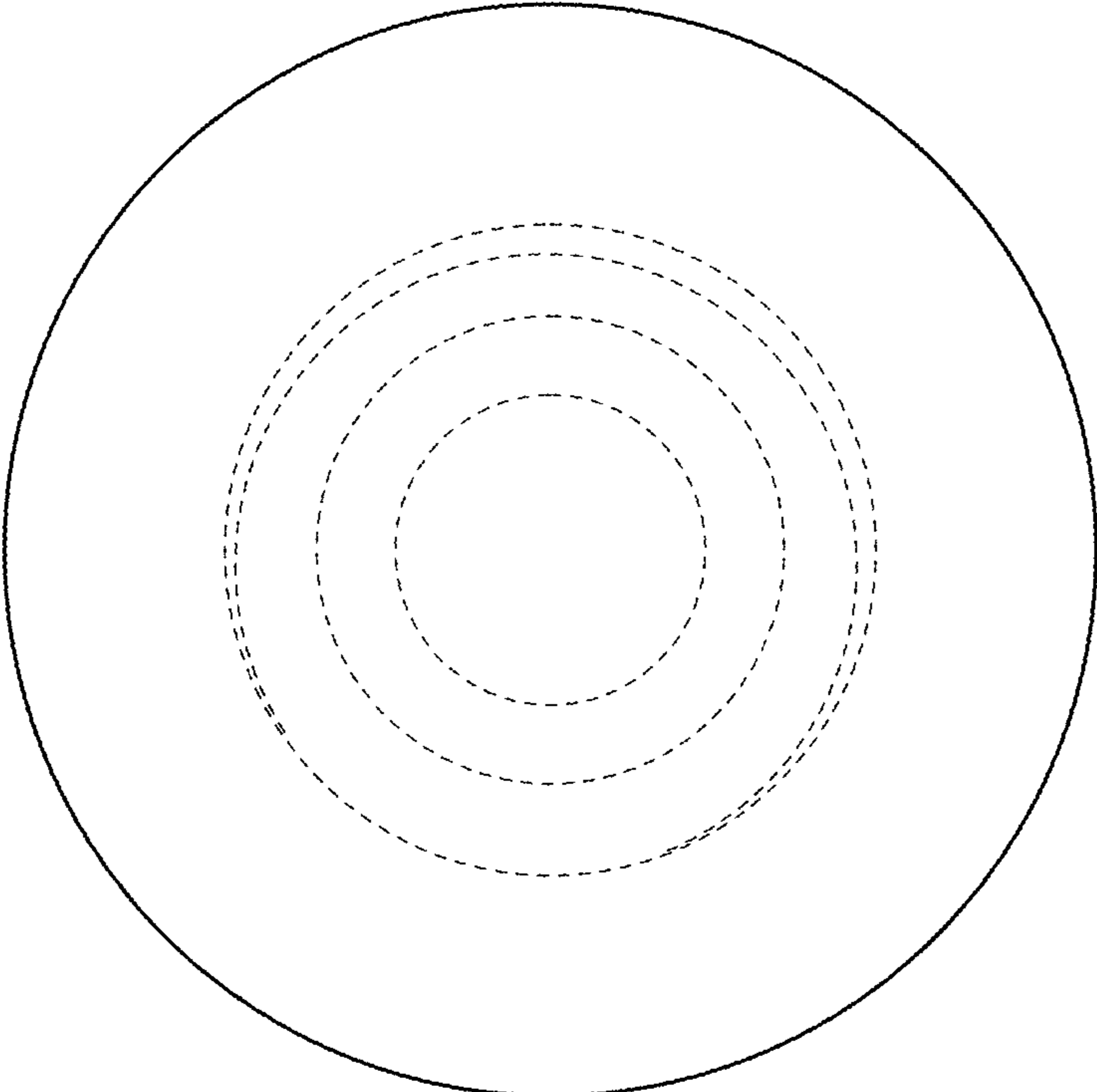


FIG. 4