



US00D877972S

(12) **United States Design Patent**
Kahawaiolaa

(10) **Patent No.:** **US D877,972 S**

(45) **Date of Patent:** **** Mar. 10, 2020**

- (54) **CIGARETTE PACKAGE**
- (71) Applicant: **Maui Kahawaiolaa**, Honolulu, HI (US)
- (72) Inventor: **Maui Kahawaiolaa**, Honolulu, HI (US)
- (**) Term: **15 Years**
- (21) Appl. No.: **29/667,722**
- (22) Filed: **Oct. 24, 2018**
- (51) **LOC (12) Cl.** **27-01**
- (52) **U.S. Cl.**
USPC **D27/101**
- (58) **Field of Classification Search**
USPC D27/101, 183–194; D9/414–418, 420,
D9/423, 425, 430, 433; 206/242, 245,
206/256, 259–261, 264, 265, 268, 271,
206/273
CPC A24F 47/002; A24F 47/004; A24F 47/006;
A24F 47/008; A61M 15/06
See application file for complete search history.

- D770,679 S * 11/2016 Weigensberg D27/189
- D801,801 S * 11/2017 Marchitto B65D 85/1045
D9/414
- D833,065 S * 11/2018 Alarcon D27/186
- D863,953 S * 10/2019 Schnakenberg D9/423
- 2003/0205487 A1* 11/2003 Lin A24F 15/18
206/86
- 2014/0001066 A1* 1/2014 Dong B65D 85/1045
206/256
- 2016/0159557 A1* 6/2016 Kahawaiolaa B65D 85/1045
206/268
- 2017/0001790 A1* 1/2017 Kahawaiolaa B65D 85/1045
- 2019/0002187 A1* 1/2019 Kahawaiolaa B65D 85/1045

(56) **References Cited**

U.S. PATENT DOCUMENTS

- 3,976,194 A * 8/1976 Loreda A24F 15/18
206/87
- 4,961,496 A * 10/1990 Focke B65D 5/48046
206/246
- 6,719,129 B2* 4/2004 Davis A24F 15/12
206/804
- 7,455,177 B2* 11/2008 Serafini B65D 5/4204
206/265
- D591,898 S * 5/2009 McKenzie D27/187
- D591,899 S * 5/2009 Bray D27/189
- D679,178 S * 4/2013 Villiers D9/420
- D690,461 S * 9/2013 Chen D27/187
- D712,091 S * 8/2014 Liu D27/186
- 9,232,819 B2* 1/2016 Damiani A24D 1/08

OTHER PUBLICATIONS

U.S. Appl. No. 29/611,252, Maui Kahawialaa.

* cited by examiner

Primary Examiner — Marissa J Cash

Assistant Examiner — Rebecca Tsehaye

(74) *Attorney, Agent, or Firm* — Ross Brandborg

(57) **CLAIM**

I claim the ornamental design for a cigarette package, as shown and described.

DESCRIPTION

FIG. 1 shows an isometric view of the invention with a partially closed lid.

FIG. 2 shows an isometric view of the invention with an open lid; and,

FIG. 3 shows an isometric view of the invention with an expanded view of the closing sticker and box top.

The broken lines in the drawings depict portions of the cigarette package that form no part of the claimed design.

1 Claim, 3 Drawing Sheets

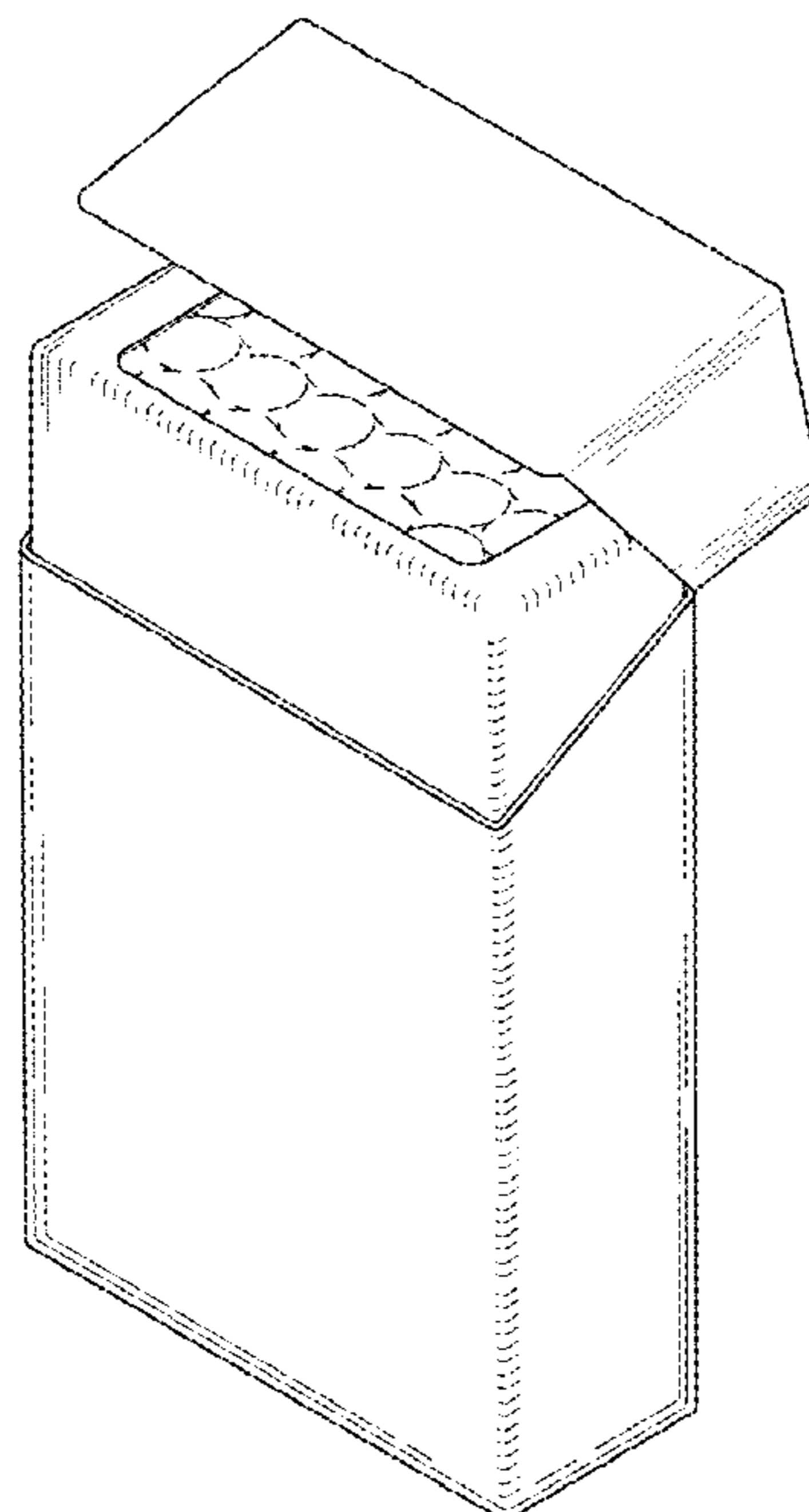


FIG.1

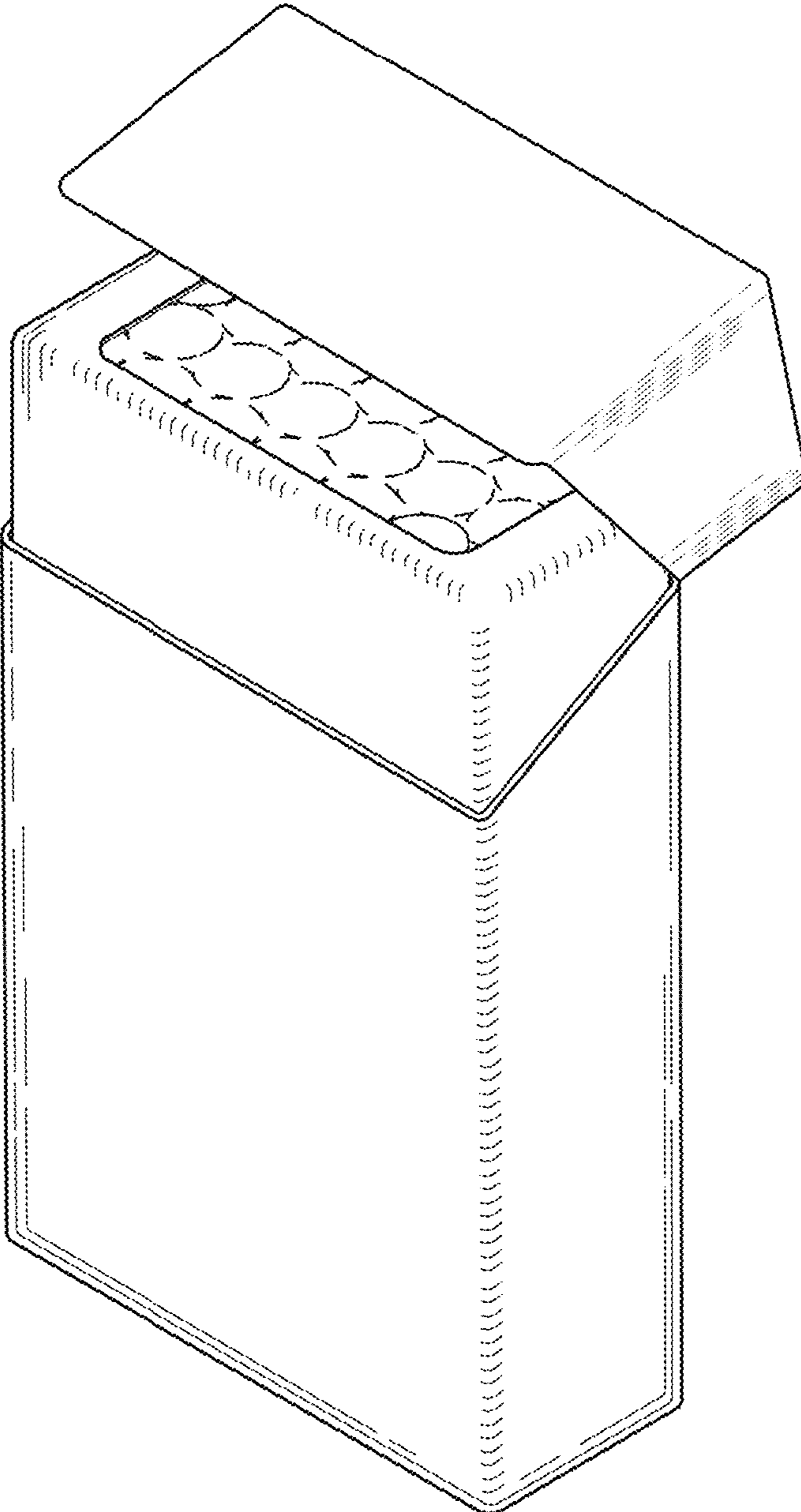


FIG.2

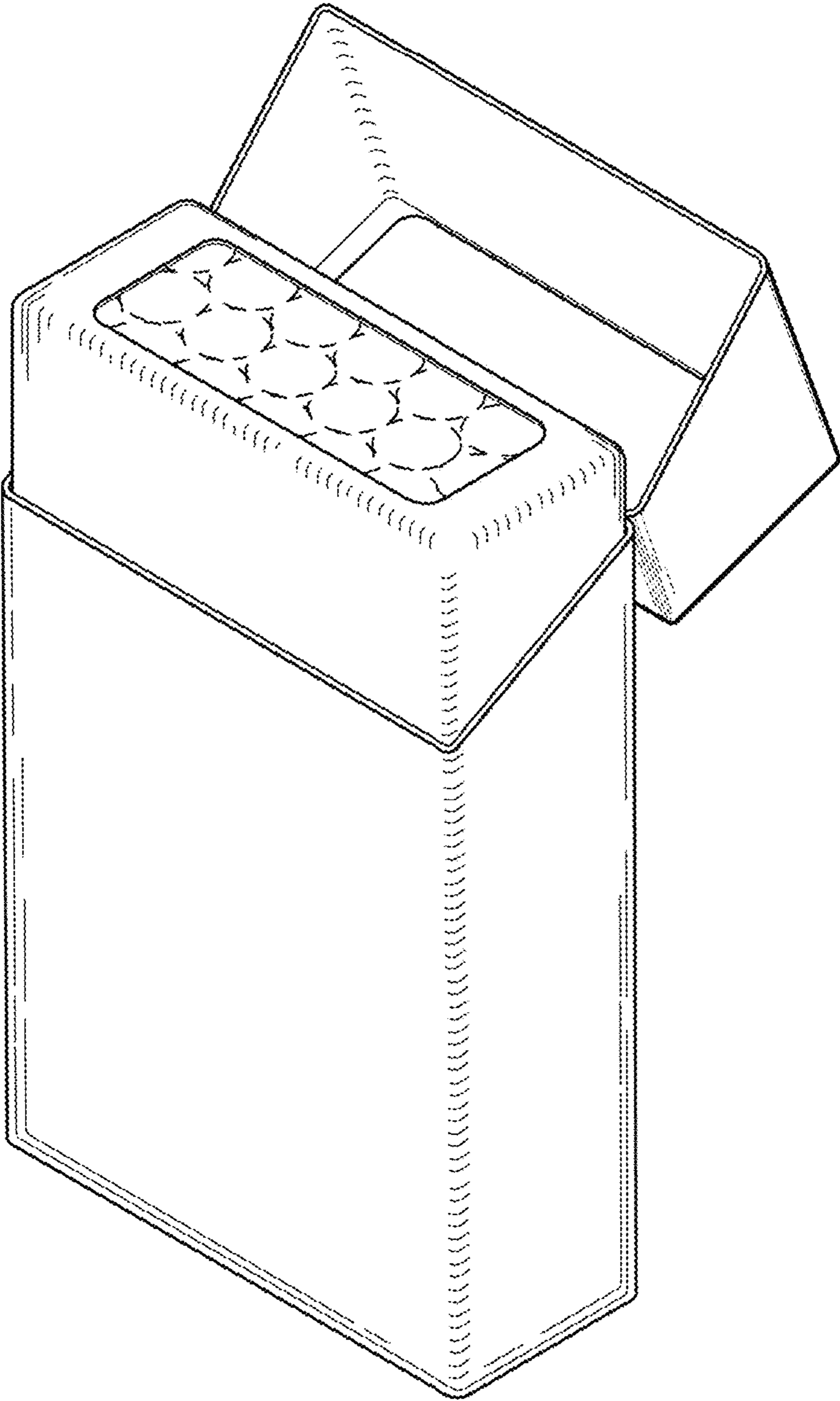


FIG.3

