



US00D877970S

(12) **United States Design Patent** (10) **Patent No.:** **US D877,970 S**
Bennett (45) **Date of Patent:** **** Mar. 10, 2020**

(54) **HEADLIGHT GUARD**
(71) Applicant: **OMIX-ADA, INC.**, Ann Arbor, MI (US)
(72) Inventor: **Patrick W. Bennett**, Gainsville, GA (US)
(73) Assignee: **OMIX-ADA, INC.**, Ann Arbor, MI (US)

D676,599 S * 2/2013 Davidson D26/139
8,714,796 B2 5/2014 Koshiba
D721,454 S 1/2015 King
8,967,315 B1 3/2015 Lescallett
D726,596 S 4/2015 Tsukui et al.
D805,245 S 12/2017 Johns et al.
2002/0172049 A1 11/2002 Yueh
2005/0083692 A1 4/2005 Leen
2018/0194271 A1 7/2018 Eboli, Jr. et al.

(**) Term: **15 Years**

FOREIGN PATENT DOCUMENTS
EP 2777985 A2 9/2014

(21) Appl. No.: **29/667,266**

OTHER PUBLICATIONS

(22) Filed: **Oct. 19, 2018**

“2007 & Up Jeep Wrangler Catalog 2015, Accessories, Performance & Replacement Part”, Ruggedridge.com, Omix-Ada, Inc., Alloy USA.

(51) **LOC (12) Cl.** **26-99**

(52) **U.S. Cl.**
USPC **D26/139**

(Continued)

(58) **Field of Classification Search**
USPC D26/28–36, 139
CPC F21S 48/00; F21S 48/10; F21S 48/115;
F21S 48/225; F21S 48/1233; F21S
48/1266; F21S 48/1388; F21S 48/2268;
F21V 21/04; F21V 13/00; F21V 29/004
See application file for complete search history.

Primary Examiner — Marcus A Jackson
(74) *Attorney, Agent, or Firm* — The Dobrusin Law Firm, P.C.; Bryan S. Lemanski

(57) **CLAIM**

The ornamental design for a headlight guard, as shown and described.

(56) **References Cited**

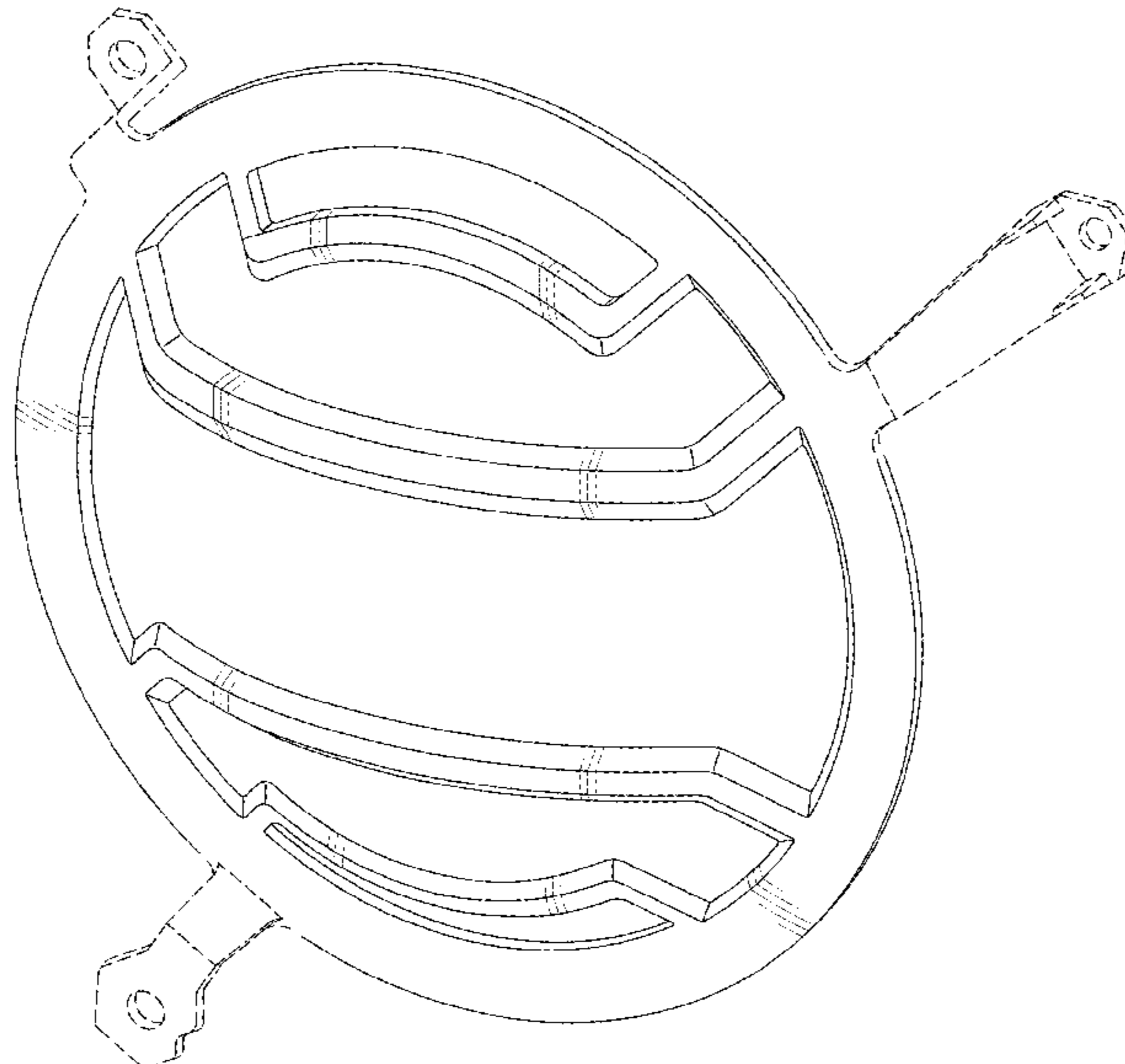
DESCRIPTION

U.S. PATENT DOCUMENTS

4,019,046 A 4/1977 Reynolds
4,671,552 A 6/1987 Anderson et al.
4,842,319 A 6/1989 Ziegler et al.
D316,460 S 4/1991 Neece
D364,704 S 11/1995 Alger
D390,821 S 2/1998 Thorne et al.
D425,240 S * 5/2000 Goeckeritz D26/139
D432,064 S * 10/2000 Hartog D12/190
D507,845 S 7/2005 Wade et al.
D533,678 S 12/2006 Conrad
7,249,875 B1 7/2007 Roach et al.
7,314,245 B1 1/2008 Shymkiw
D583,502 S 12/2008 Schuler

FIG. 1 is a perspective view of the present design.
FIG. 2 is a front elevational view of FIG. 1.
FIG. 3 is a back elevational view of FIG. 1.
FIG. 4 is a top elevational view of FIG. 1.
FIG. 5 is a bottom elevational view of FIG. 1.
FIG. 6 is a first side elevational view of FIG. 1; and,
FIG. 7 is a second side elevational view of FIG. 1.
The broken lines which define the bounds of the claimed design form no part thereof and are used to show environmental structure.

1 Claim, 6 Drawing Sheets



(56)

References Cited

OTHER PUBLICATIONS

“China Black Round 7” Headlight Guards Protector Cover 2007-2017 for Jeep Wrangler”, Fullmetalautoparts.en.made-in-china.com, Focus Technology Co., Ltd., last accessed Dec. 12, 2018.

“Rugged Ridge Elite Euro Headlight Guards for 07-18 Jeep Wrangler JK”, Quadratec.com, Quadratec, Inc., last accessed Dec. 12, 2018.

“Smittybilt 5660 Euro Headlight Guards in Black for 97-06 Jeep Wrangler TJ”, Quadratec.com, Quadratec, Inc., last accessed Dec. 12, 2018.

“Smittybilt Euro Headlight Guards (97-06 Jeep Wrangler TJ)”, Extremeterrain.com, last accessed Dec. 12, 2018.

“AltRider Stainless Steel Headlight Guard for the Triumph Scrambler”, Altrider.com, AltRider, last accessed Dec. 12, 2018.

* cited by examiner

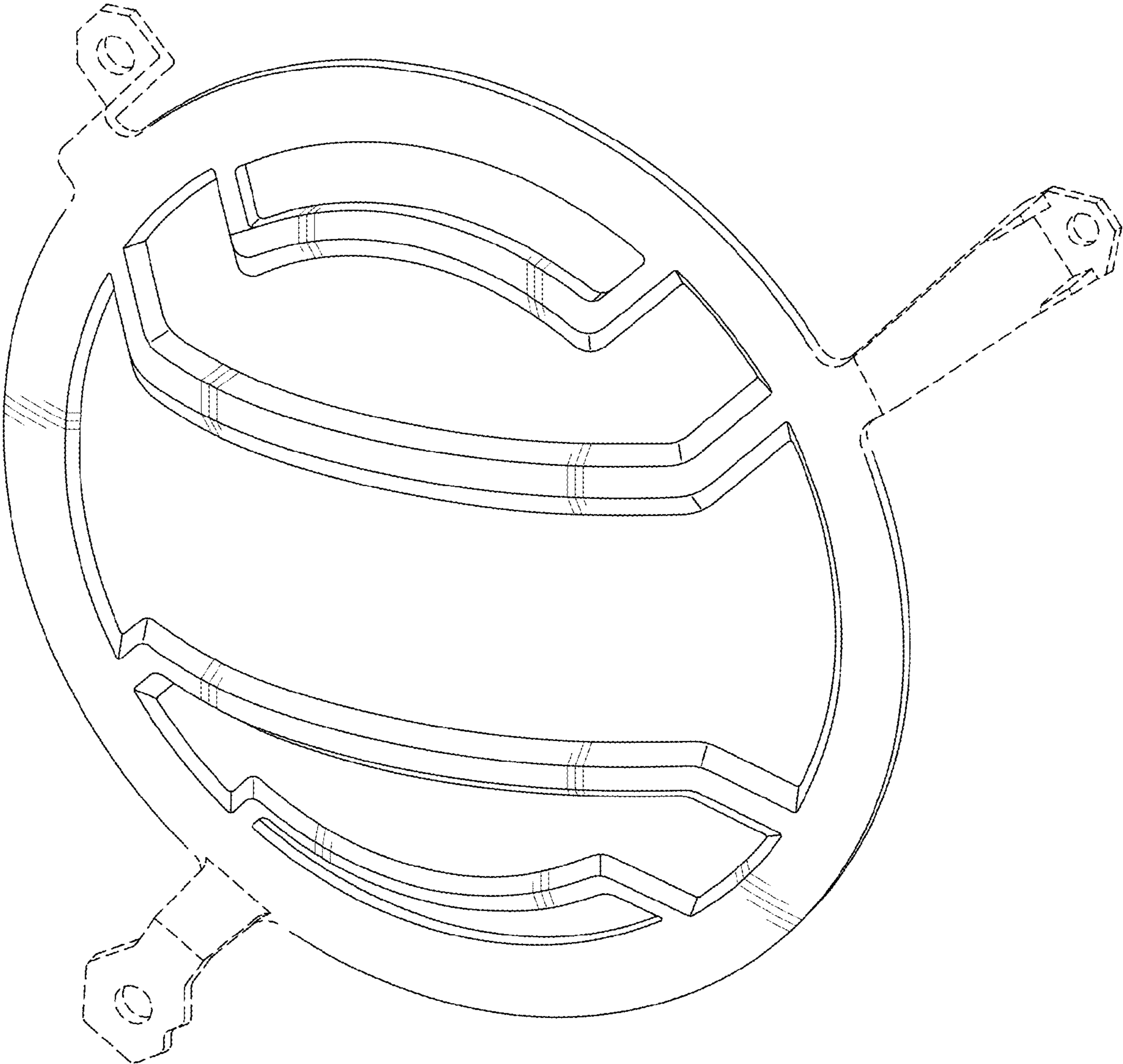


Fig-1

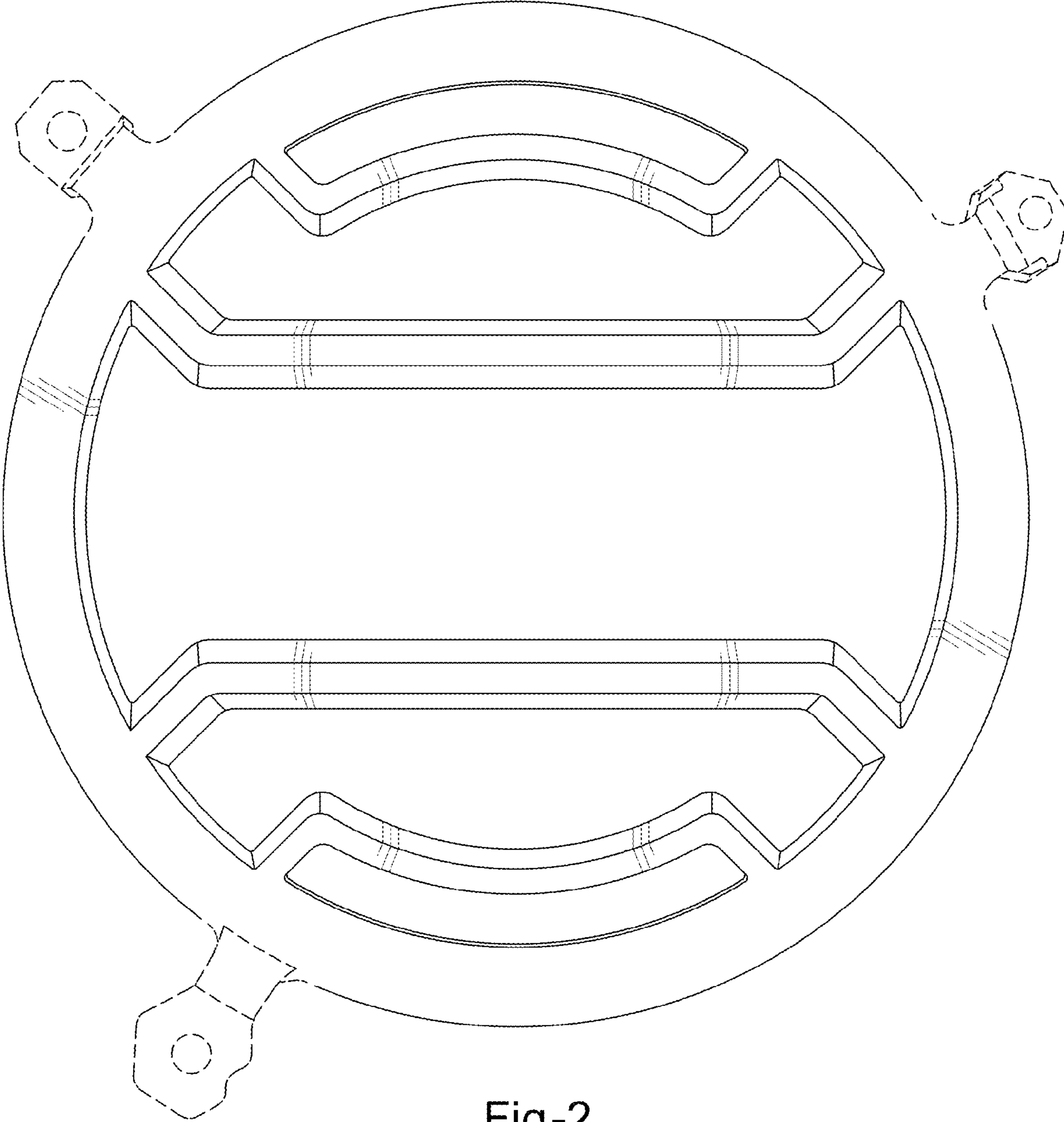


Fig-2

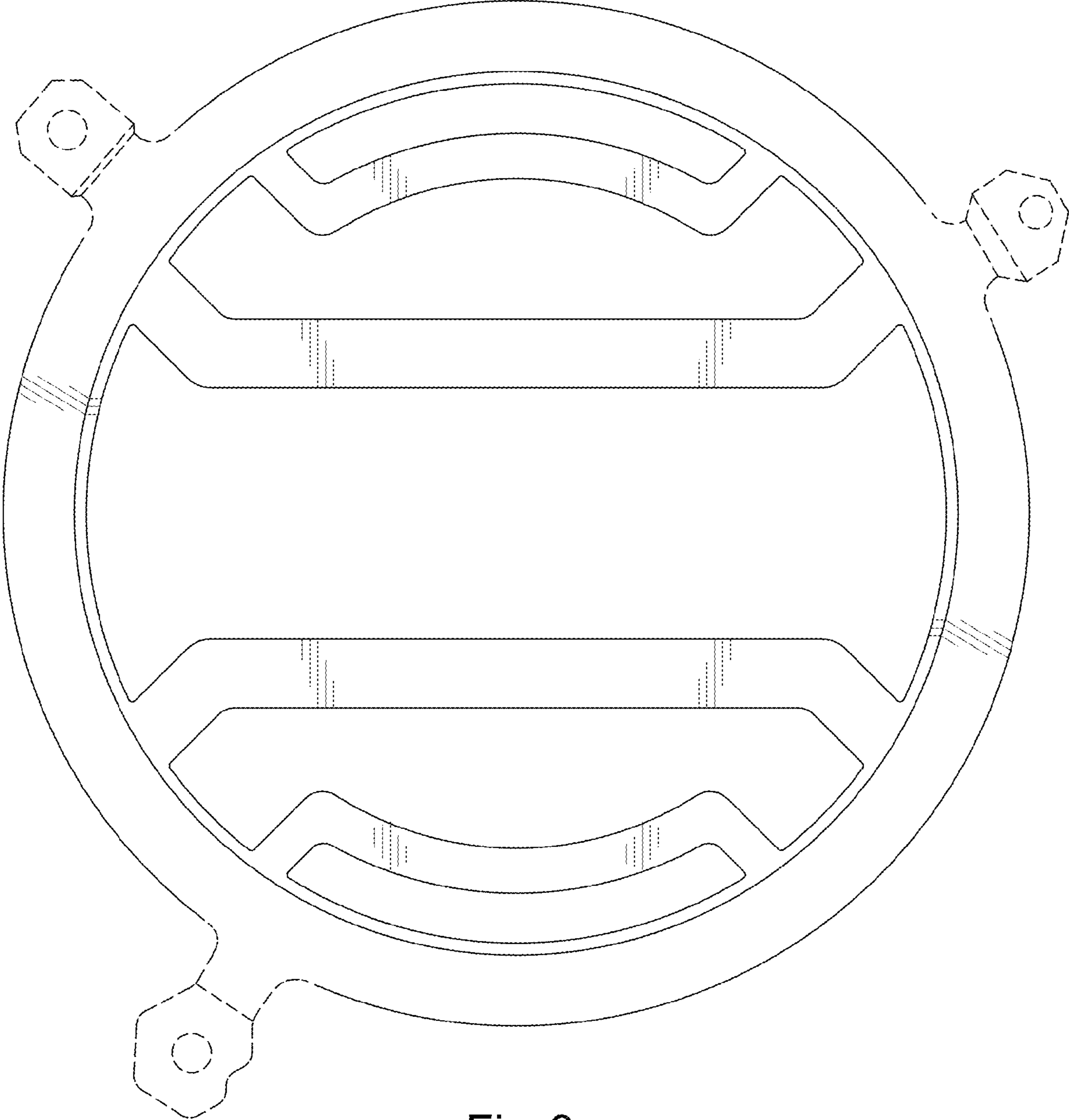


Fig-3

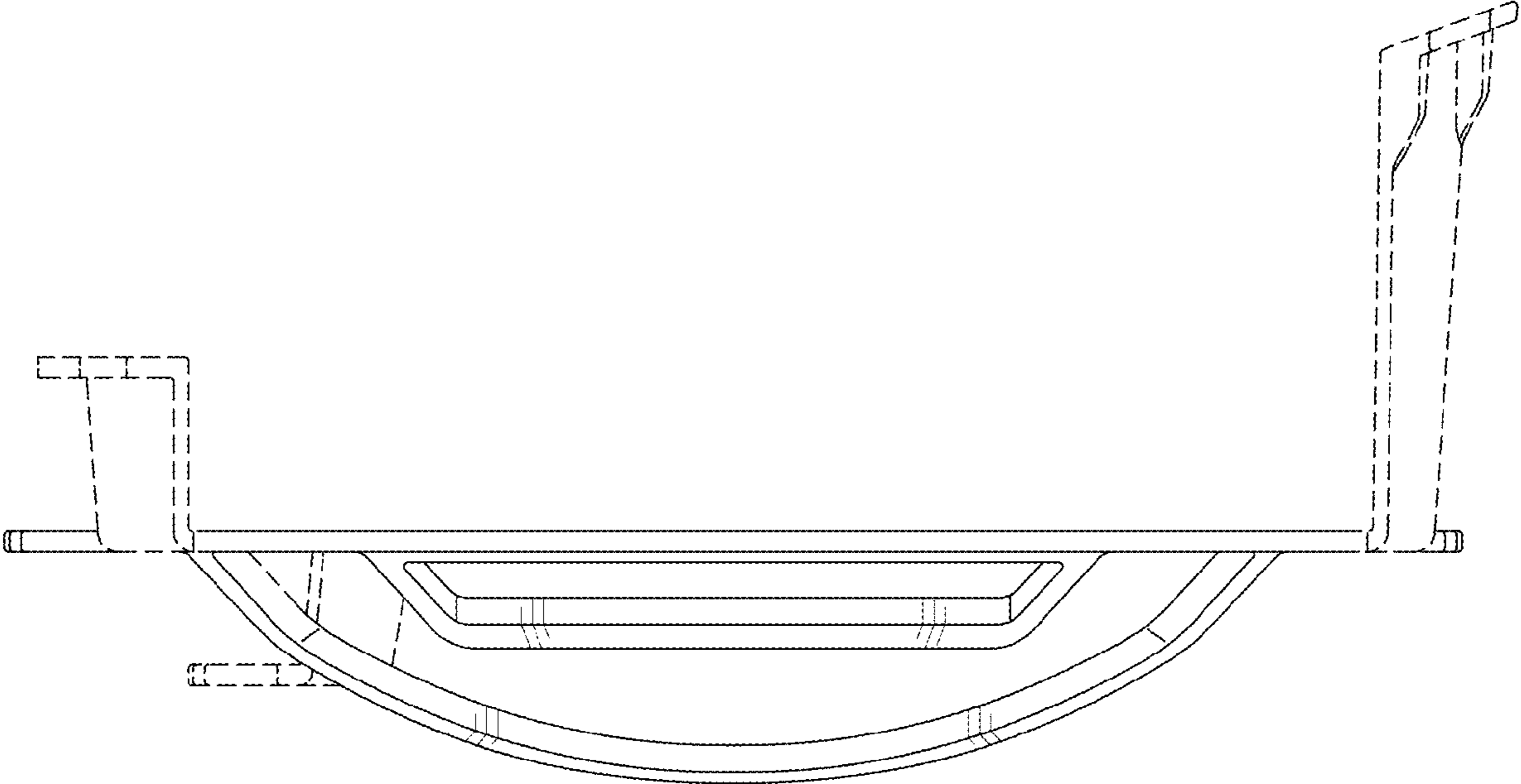


Fig-4

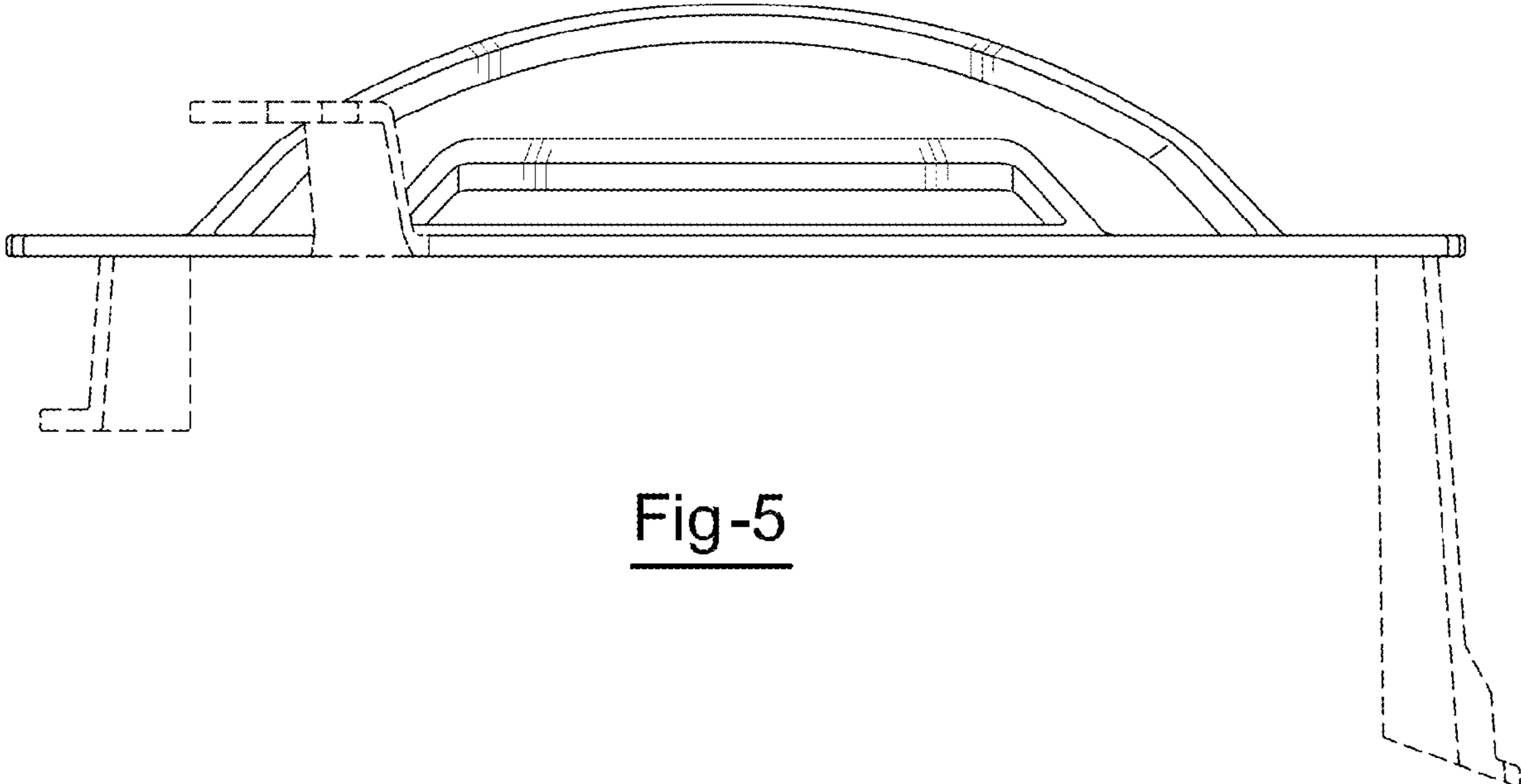


Fig-5

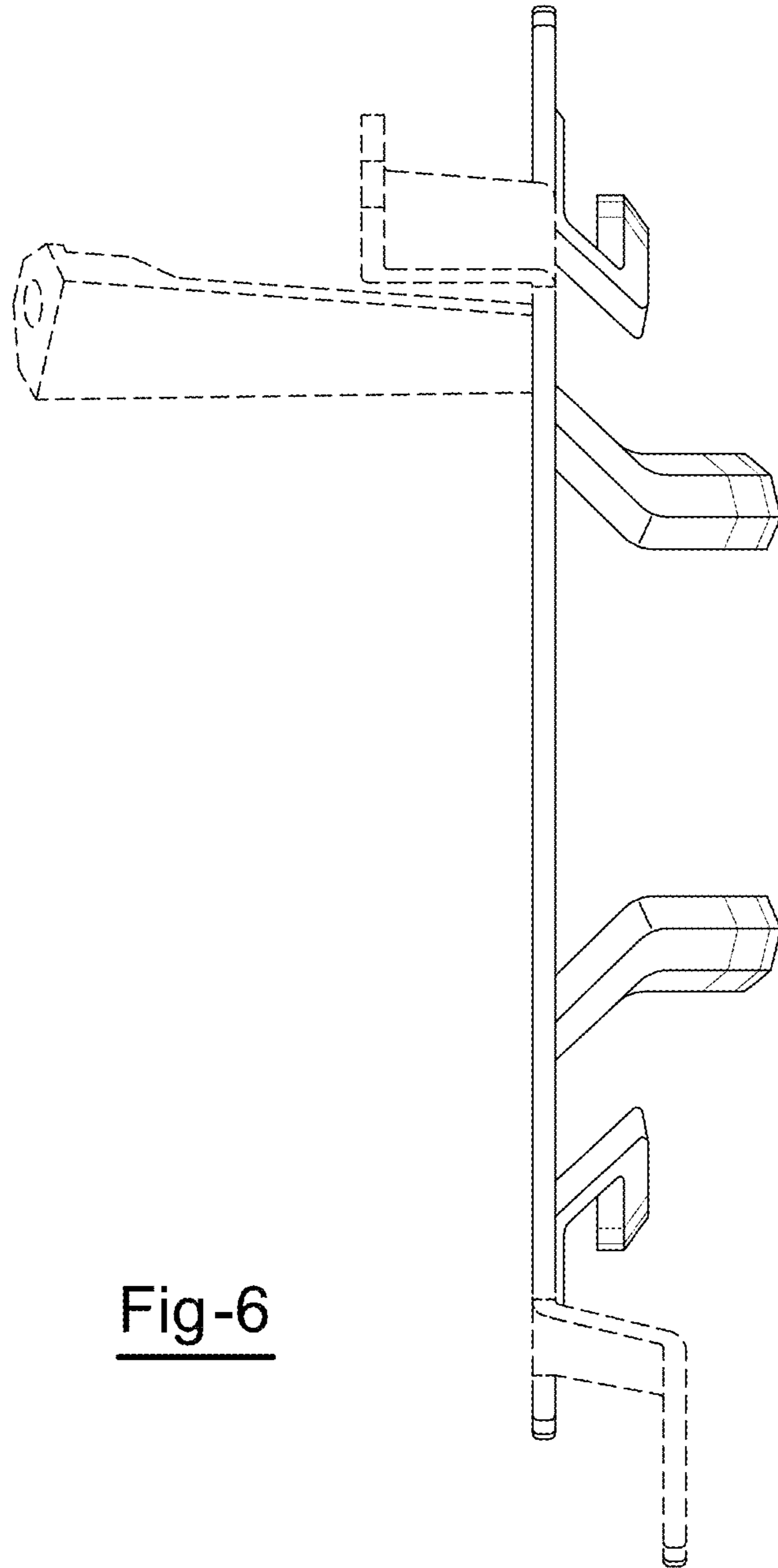


Fig-6

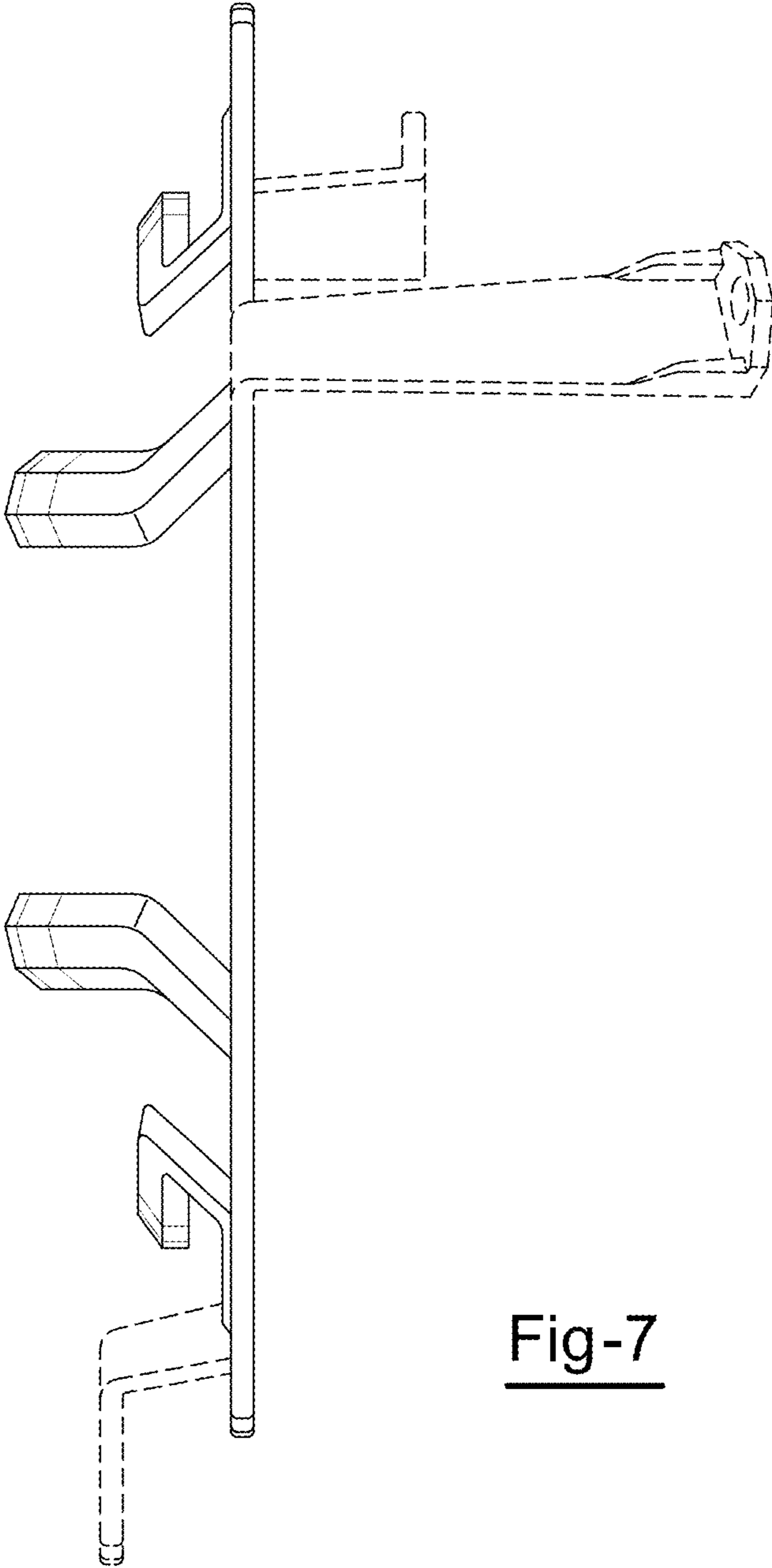


Fig-7