



US00D877967S

(12) **United States Design Patent** (10) **Patent No.:** **US D877,967 S**
Yu (45) **Date of Patent:** **** Mar. 10, 2020**

(54) **LED HOUSING**
(71) Applicant: **Chung Han Yu**, City of Industry, CA (US)
(72) Inventor: **Chung Han Yu**, City of Industry, CA (US)
(**) Term: **15 Years**
(21) Appl. No.: **29/637,536**
(22) Filed: **Feb. 20, 2018**
(51) **LOC (12) Cl.** **26-05**
(52) **U.S. Cl.**
USPC **D26/122**
(58) **Field of Classification Search**
USPC D26/24, 28, 36, 81, 83, 120–122;
D10/104.1, 106.1, 114.1, 114.2, 114.3
CPC F21V 1/00; F21V 1/02; F21V 1/04; F21V 1/14; F21V 3/00; F21V 3/02; F21V 5/00; F21V 5/002; F21V 11/00; F21V 11/02; F21V 11/06; F21K 9/23; F21K 9/232; F21K 9/237
See application file for complete search history.

D667,587 S * 9/2012 Wilcox F21V 19/0055 D26/89
D674,964 S * 1/2013 Bailey D26/118
D688,412 S * 8/2013 Heim D26/120
D703,861 S * 4/2014 Holland D26/89
D742,055 S * 10/2015 Marshal D26/89
D742,056 S * 10/2015 Yang D26/134
D747,534 S * 1/2016 Guercio D26/89
D750,829 S * 3/2016 Pouladian D26/63
D751,748 S * 3/2016 Guercio D26/89
D759,286 S * 6/2016 Chen D26/89
D759,287 S * 6/2016 Chen D26/128
D776,320 S * 1/2017 Bobel D26/63
D777,368 S * 1/2017 Pratt D26/118
D832,487 S * 10/2018 Sieczkowski D26/89
D841,871 S * 2/2019 Zhu D26/89
2014/0307436 A1 * 10/2014 Wilcox F21V 19/0055 362/245

* cited by examiner

Primary Examiner — Wan Laymon
Assistant Examiner — Clint A Samuel
(74) *Attorney, Agent, or Firm* — Saul Ewing Arnstein & Lehr LLP

(57) **CLAIM**

The ornamental design of a LED housing, as shown.

(56) **References Cited**

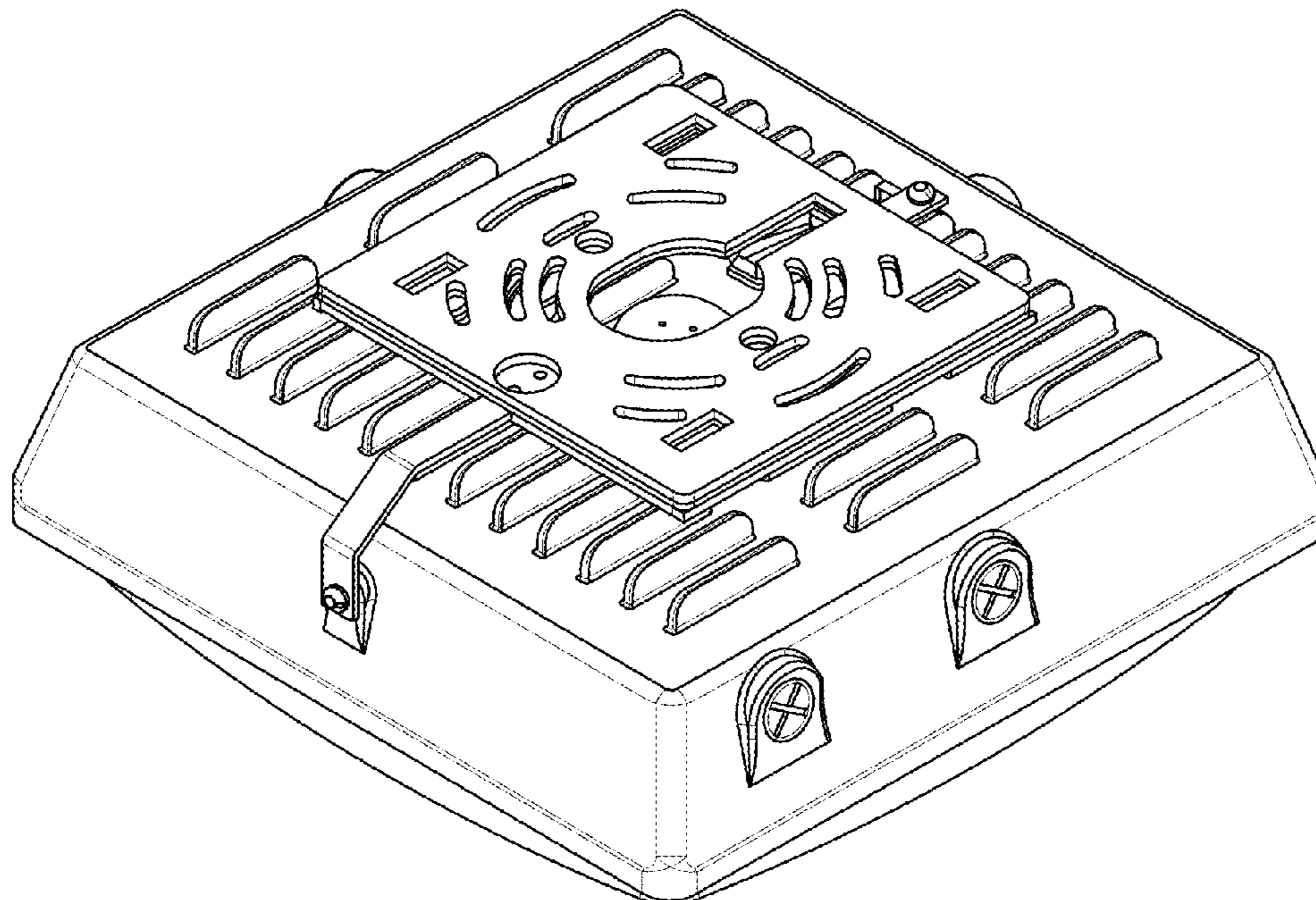
U.S. PATENT DOCUMENTS

D163,220 S * 5/1951 Pryne D26/122
D172,057 S * 4/1954 Pryne D26/122
D213,128 S * 1/1969 Chase D26/122
D375,180 S * 10/1996 Lyons D10/114.1
D470,969 S * 2/2003 Paffrath D26/122
D496,487 S * 9/2004 Rhee D26/89
D514,732 S * 2/2006 Benensohn D26/89
D535,434 S * 1/2007 Fischer D26/122
D624,686 S * 9/2010 Toney, Jr. D26/72
D641,908 S * 7/2011 McKee D26/71

DESCRIPTION

FIG. 1 is a top perspective view of a LED housing; FIG. 2 is a left side view of FIG. 1; FIG. 3 is a right side view of FIG. 1; FIG. 4 is a rear view of FIG. 1; FIG. 5 is a front view of FIG. 1; FIG. 6 is a bottom perspective view of FIG. 1; FIG. 7 is a top view of FIG. 1; and, FIG. 8 is a bottom view of FIG. 1.

1 Claim, 5 Drawing Sheets



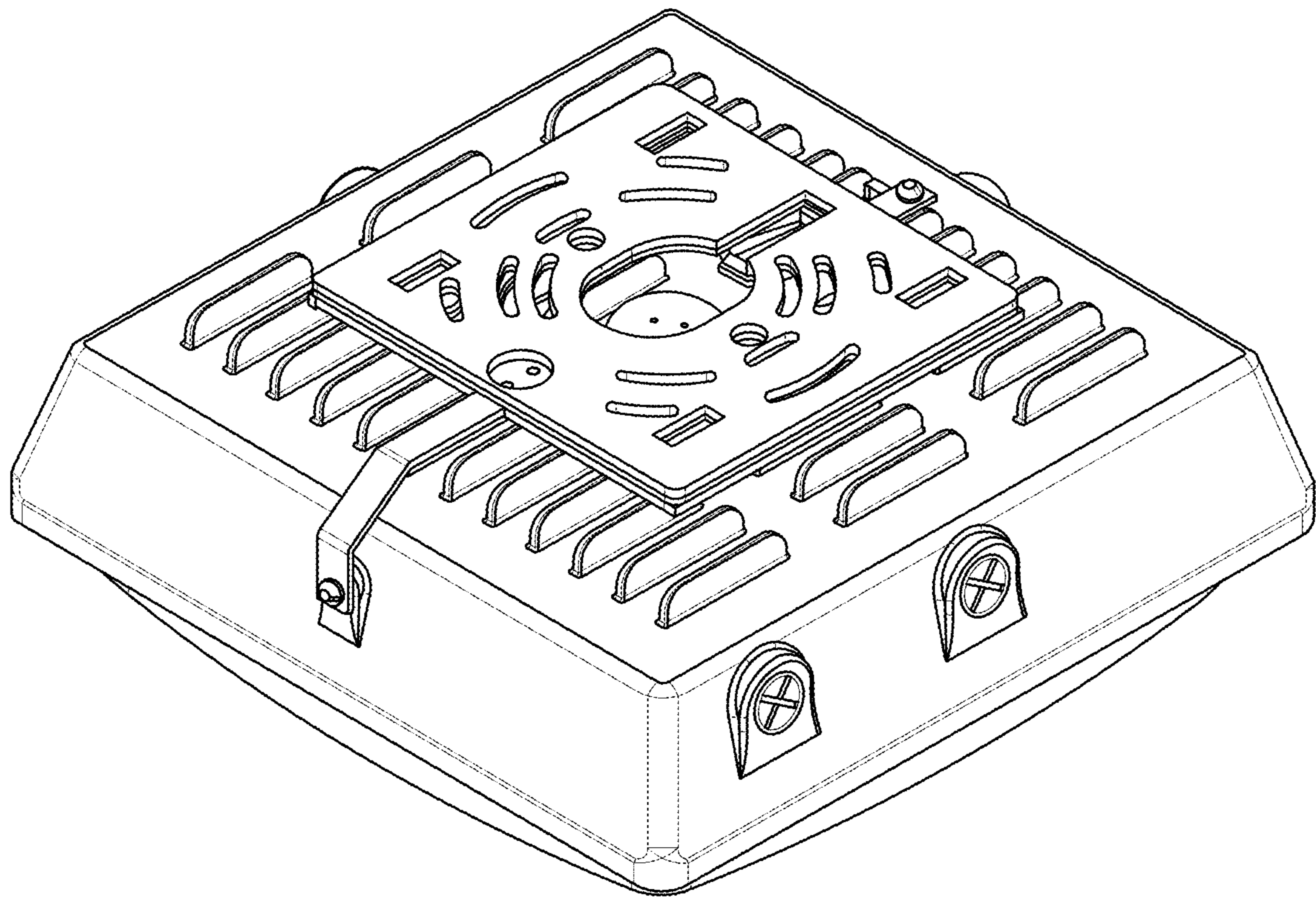


FIG. 1

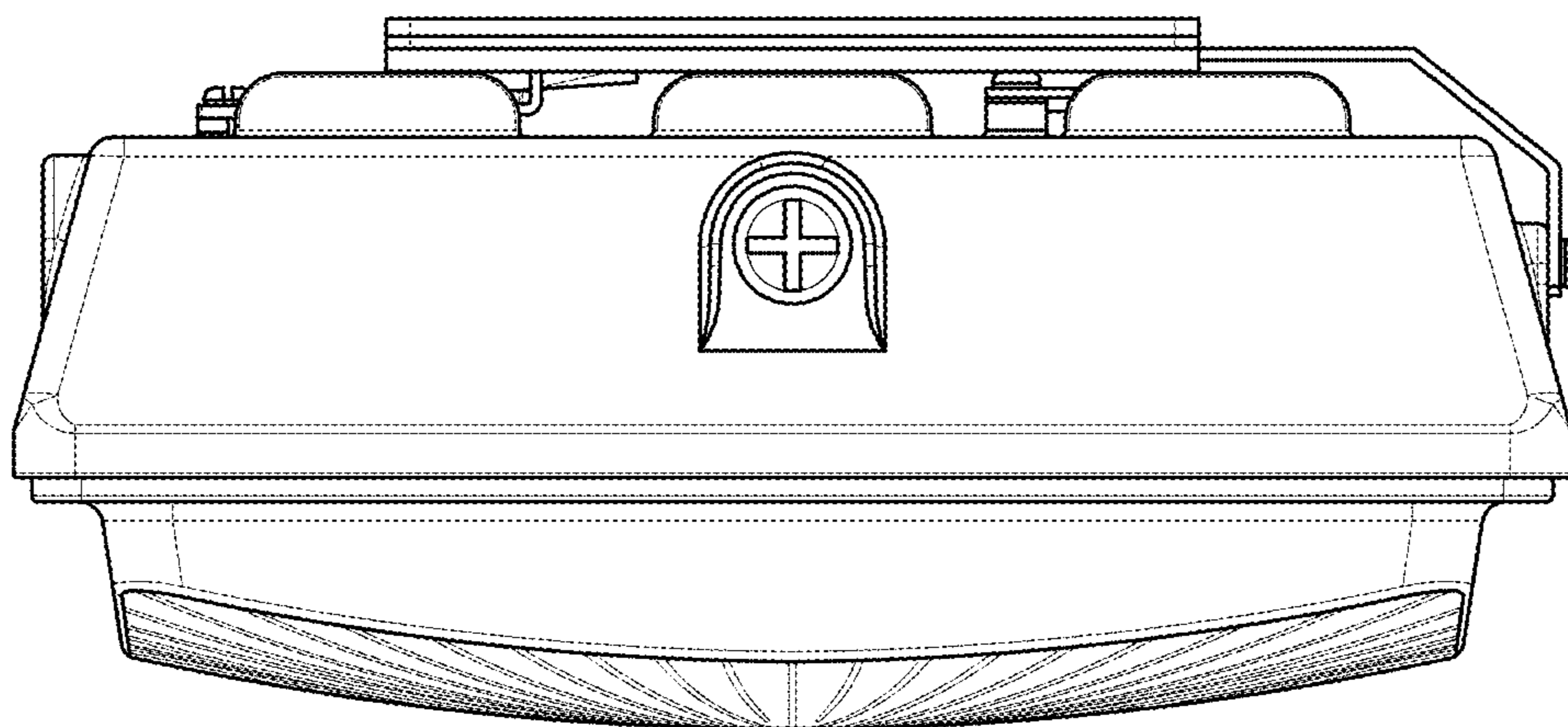


FIG. 2

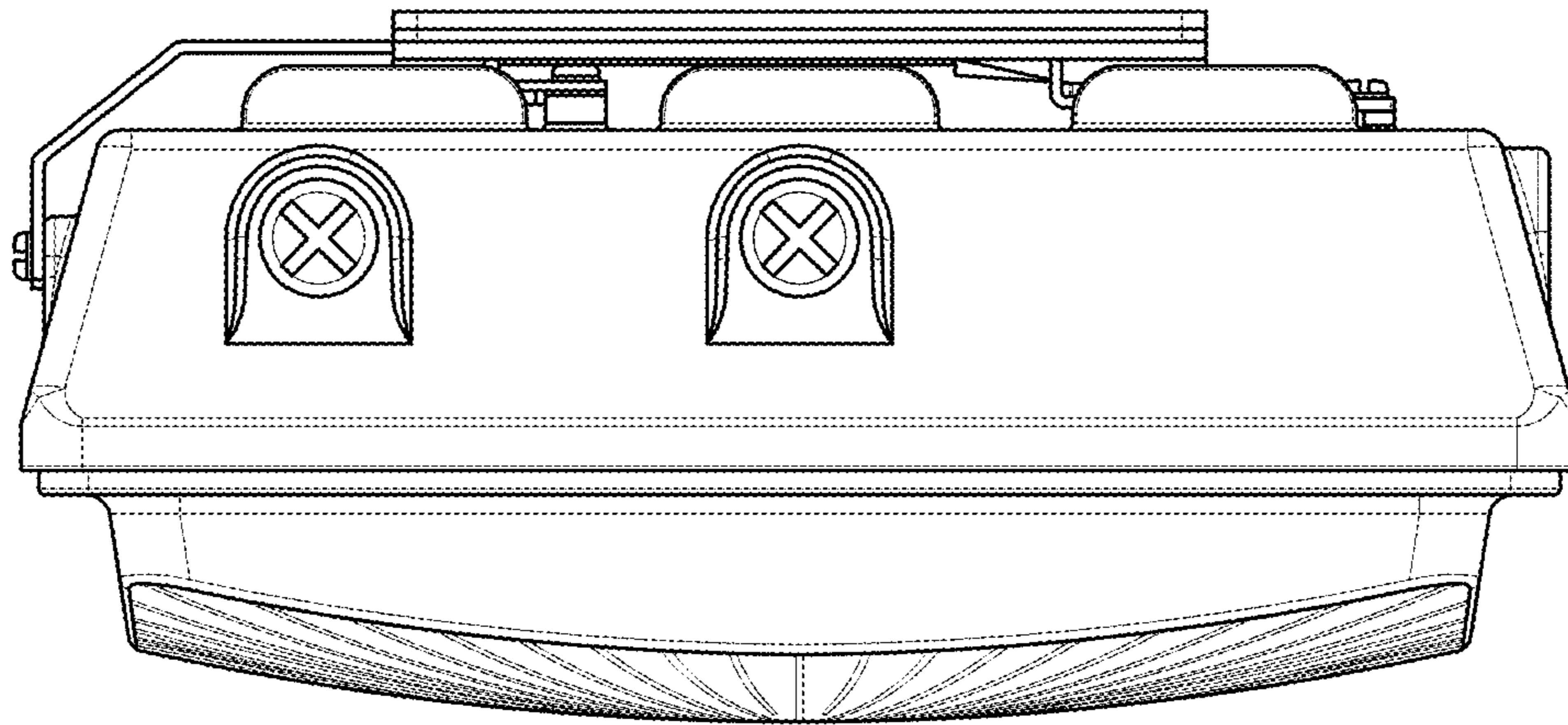


FIG. 3

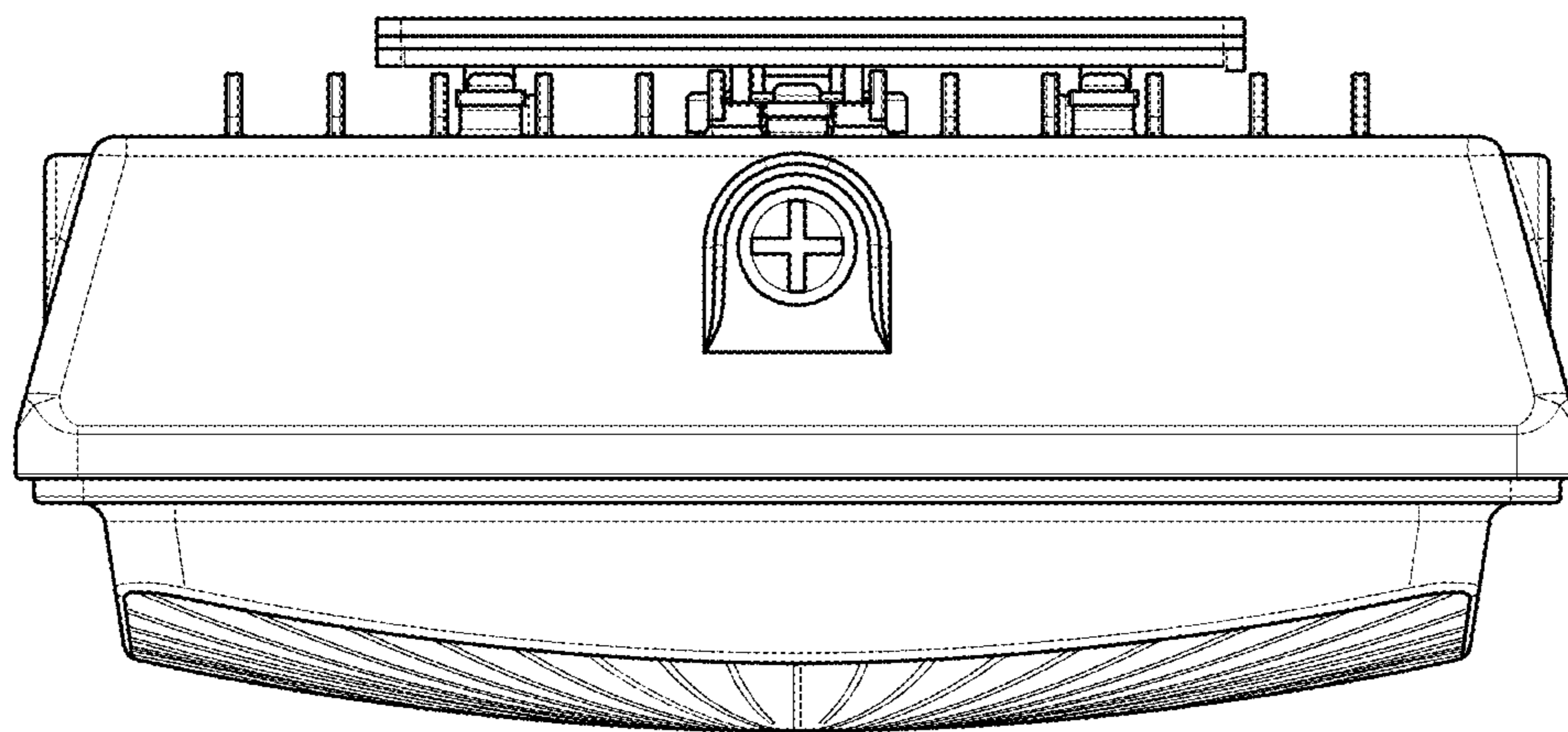


FIG. 4

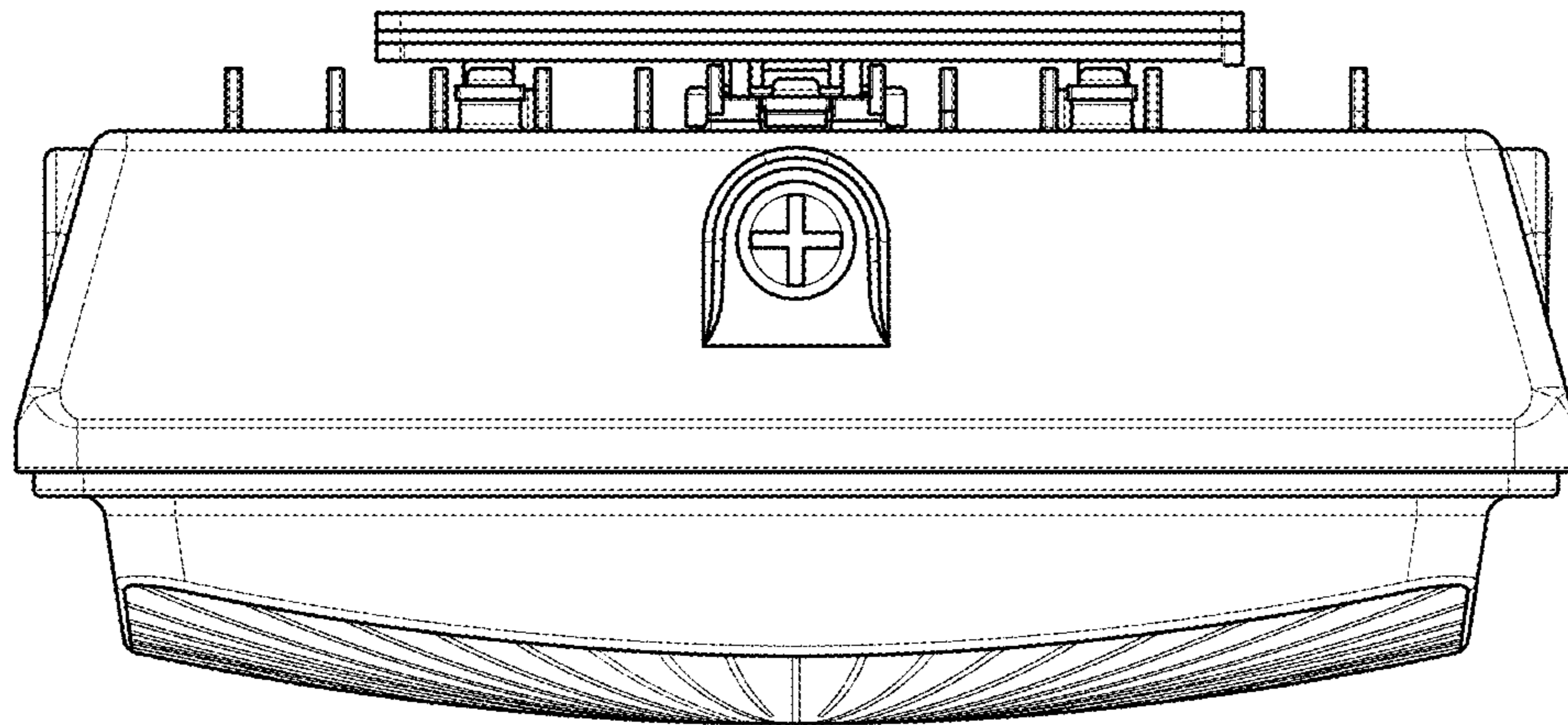


FIG. 5

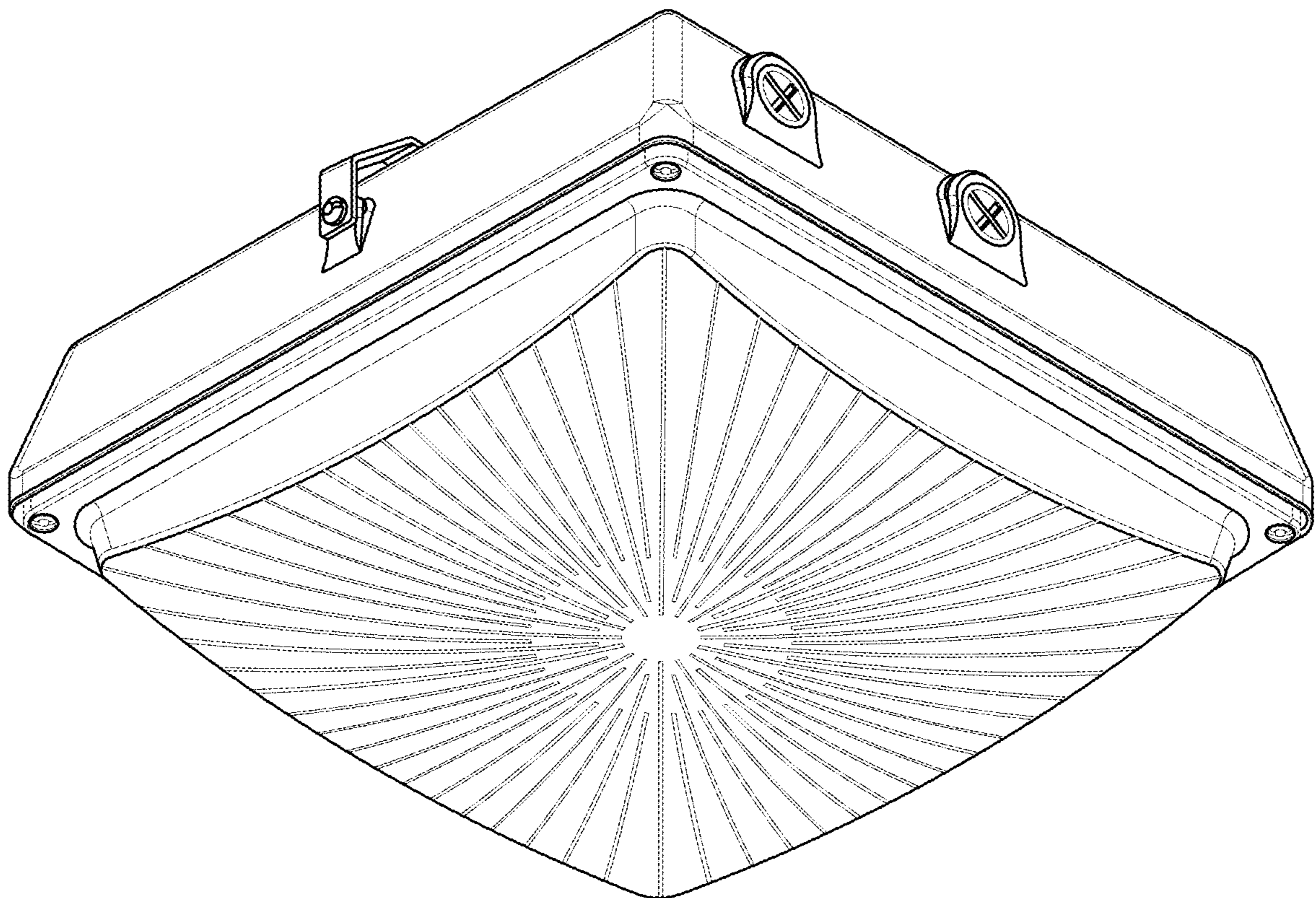


FIG. 6

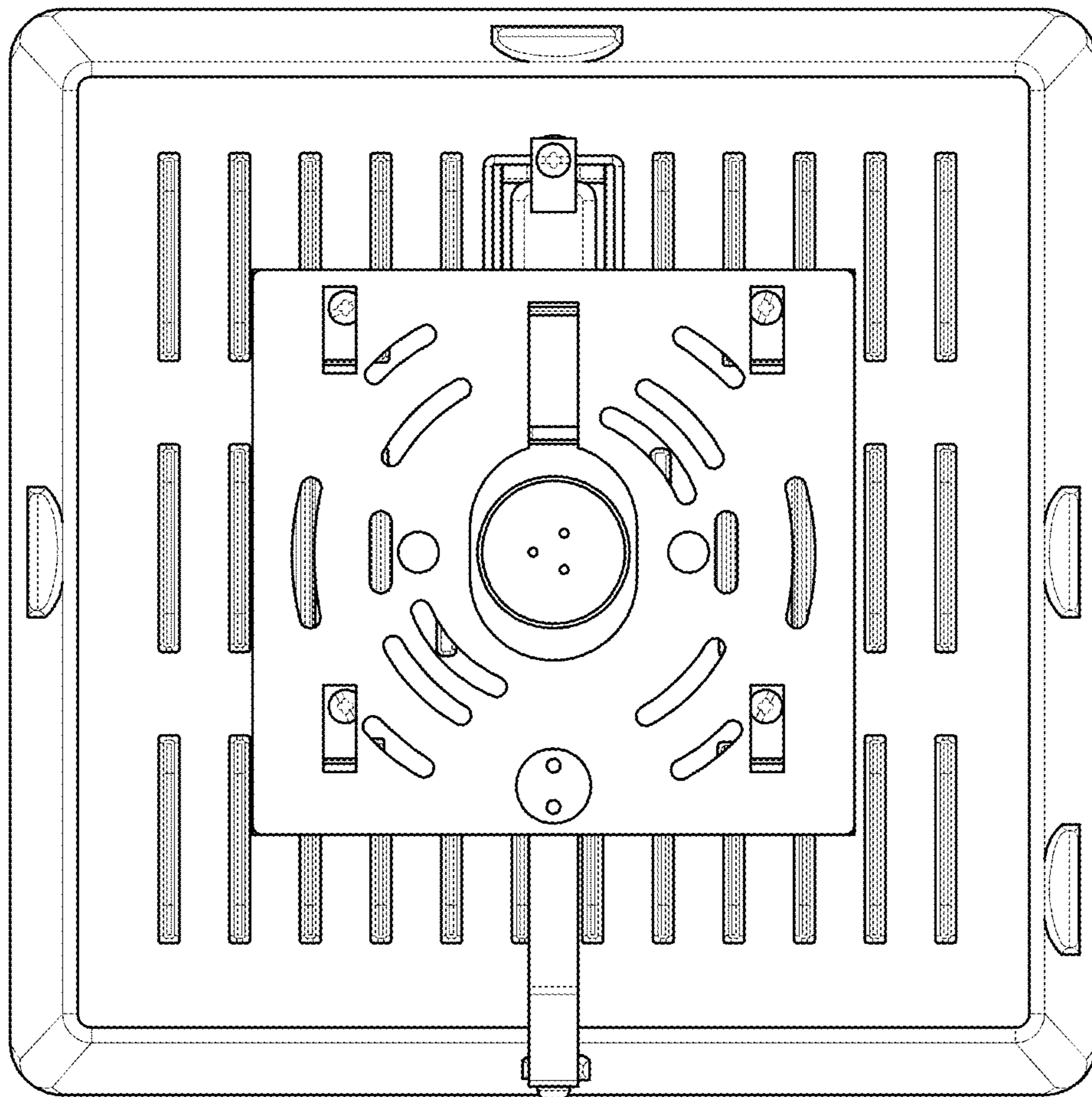


FIG. 7

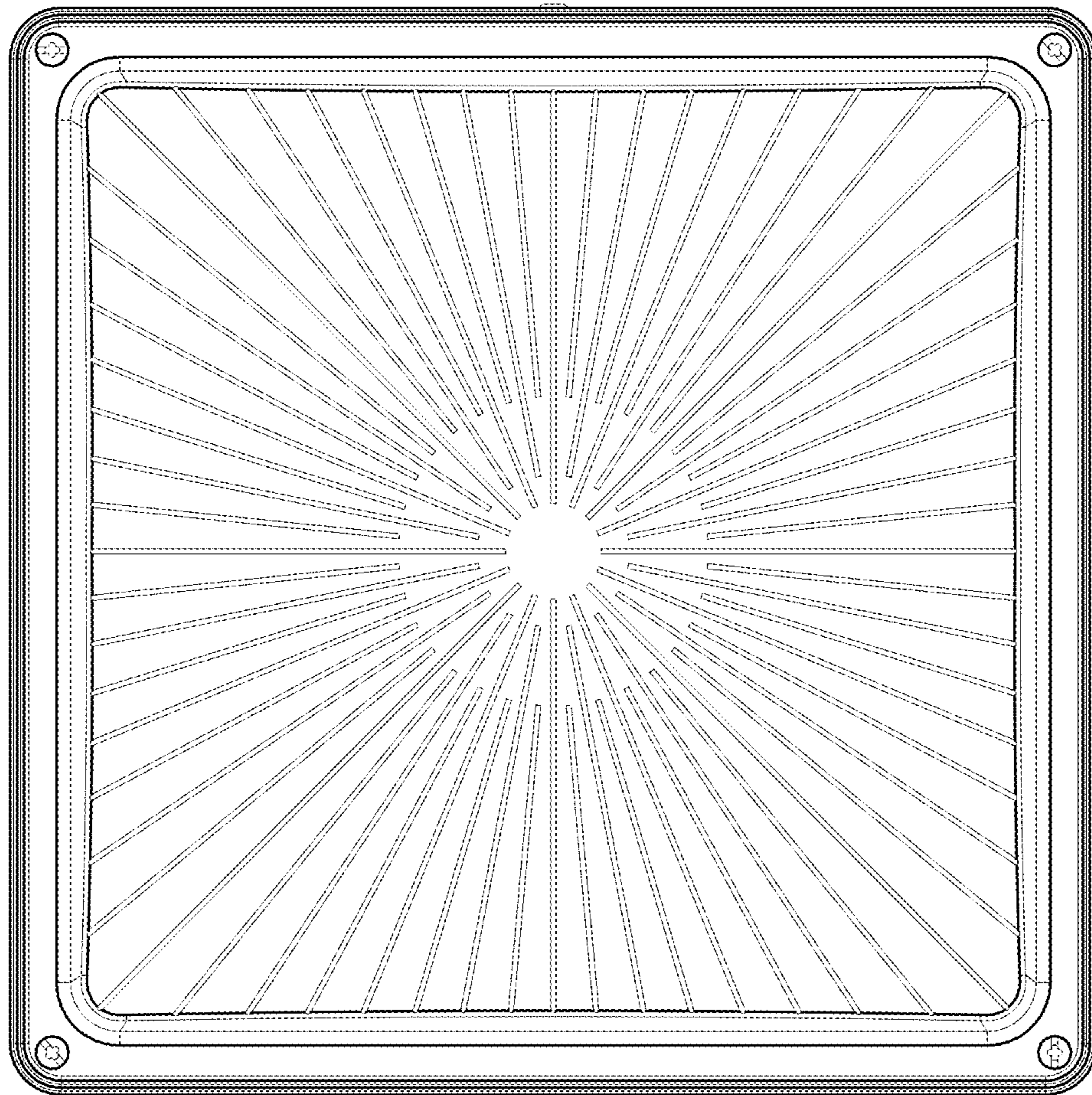


FIG. 8