



US00D877965S

(12) **United States Design Patent**
Vaccari et al.

(10) **Patent No.:** **US D877,965 S**
(45) **Date of Patent:** **** Mar. 10, 2020**

(54) **TUBO SPOT LIGHT**

(71) Applicant: **KONE Corporation**, Helsinki (FI)

(72) Inventors: **Stefano Vaccari**, Milan (IT); **Visa Rauta**, Hyvinkää (FI)

(73) Assignee: **KONE Corporation**, Helsinki (FI)

(**) Term: **15 Years**

(21) Appl. No.: **29/648,640**

(22) Filed: **May 23, 2018**

(30) **Foreign Application Priority Data**

Nov. 23, 2017 (EM) 004519767

(51) **LOC (12) Cl.** **26-05**

(52) **U.S. Cl.**
USPC **D26/118**

(58) **Field of Classification Search**
USPC D26/28, 30, 31, 60, 68, 71, 73-75, 78,
D26/113, 118, 120-124, 136-145, 155
CPC F21V 31/03; F21V 7/0083; F21V 29/004;
F21V 21/32; F21V 21/0824; B60Q 1/04;
B60Q 1/26; F21S 6/003; F21S 6/005;
F21S 8/081; F21S 8/083; F21S 8/085;
F21S 8/088; F21W 2131/103; F21W
2131/109

See application file for complete search history.

(56) **References Cited**

U.S. PATENT DOCUMENTS

D377,104 S * 12/1996 Roberts D26/24
D377,224 S * 1/1997 Roberts D26/24
D497,447 S * 10/2004 Yoneda D26/24
D616,586 S * 5/2010 Sabernig D26/63

D645,595 S * 9/2011 Yamada D26/63
D664,285 S * 7/2012 Toft F21V 21/30
D26/118
D685,519 S * 7/2013 Teranishi D26/118
D702,866 S * 4/2014 Blincoe D26/63
D718,892 S * 12/2014 Kim D26/24
D761,484 S * 7/2016 Laukkanen D26/118
D793,000 S * 7/2017 Sonneman D26/113
D794,860 S * 8/2017 Khubani D26/118
D825,829 S * 8/2018 Guo D26/63
D841,195 S * 2/2019 Hollingsworth D26/9

OTHER PUBLICATIONS

Kone Design Book https://www.kone.in/Images/U%20series%20Design%20book_tcm152-74077.pdf Apr. 28, 2018 (Year: 2018).*

* cited by examiner

Primary Examiner — Leanne Was-Englehart

(74) *Attorney, Agent, or Firm* — Leason Ellis LLP

(57) **CLAIM**

The ornamental design for a tubo spot light, as shown and described.

DESCRIPTION

FIG. 1 is a bottom perspective view of a tubo spot light according to a first embodiment of our new design;

FIG. 2 is a top perspective view thereof;

FIG. 3 is a right side view thereof taken along line 3-3 of FIG. 5;

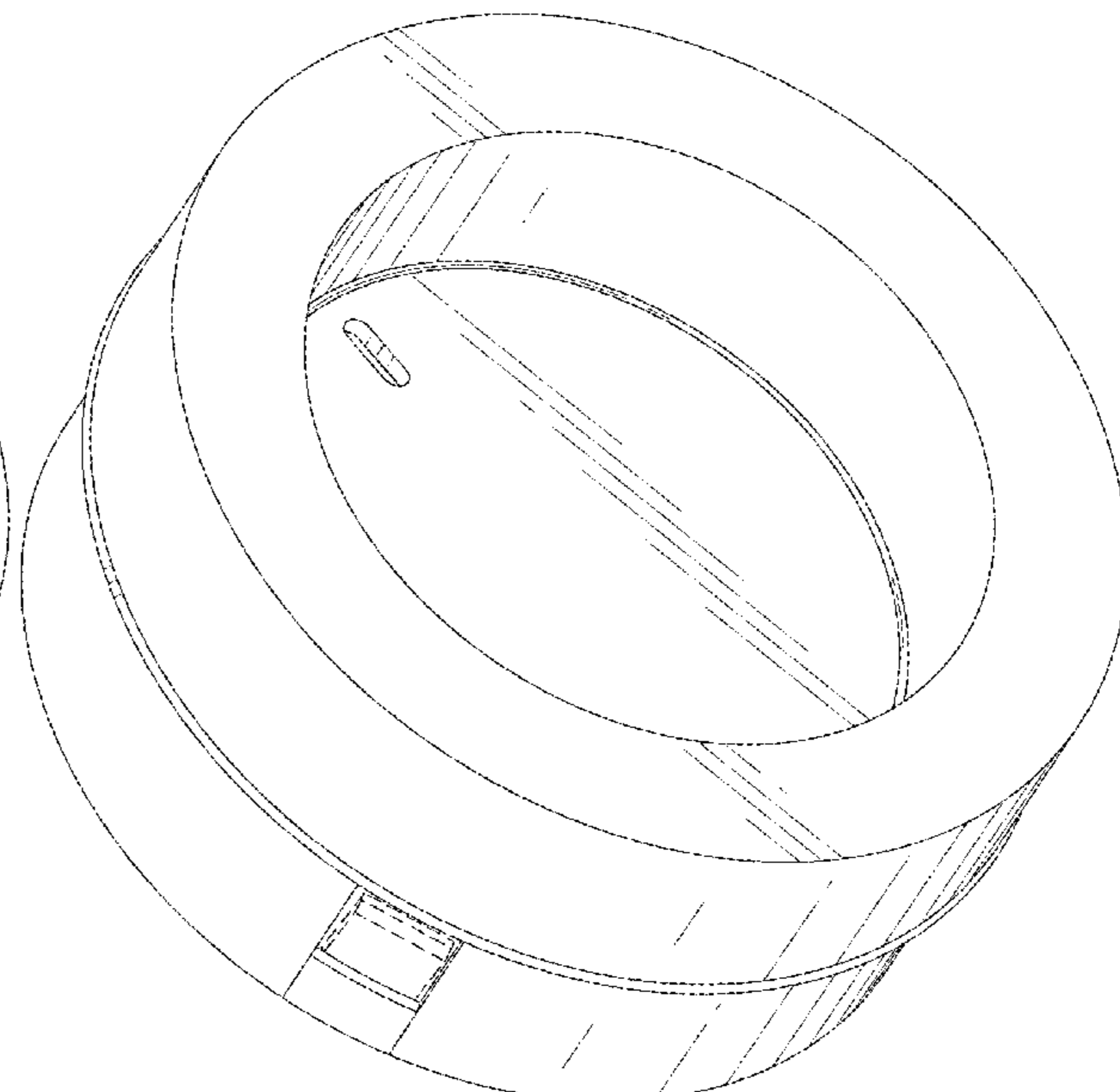
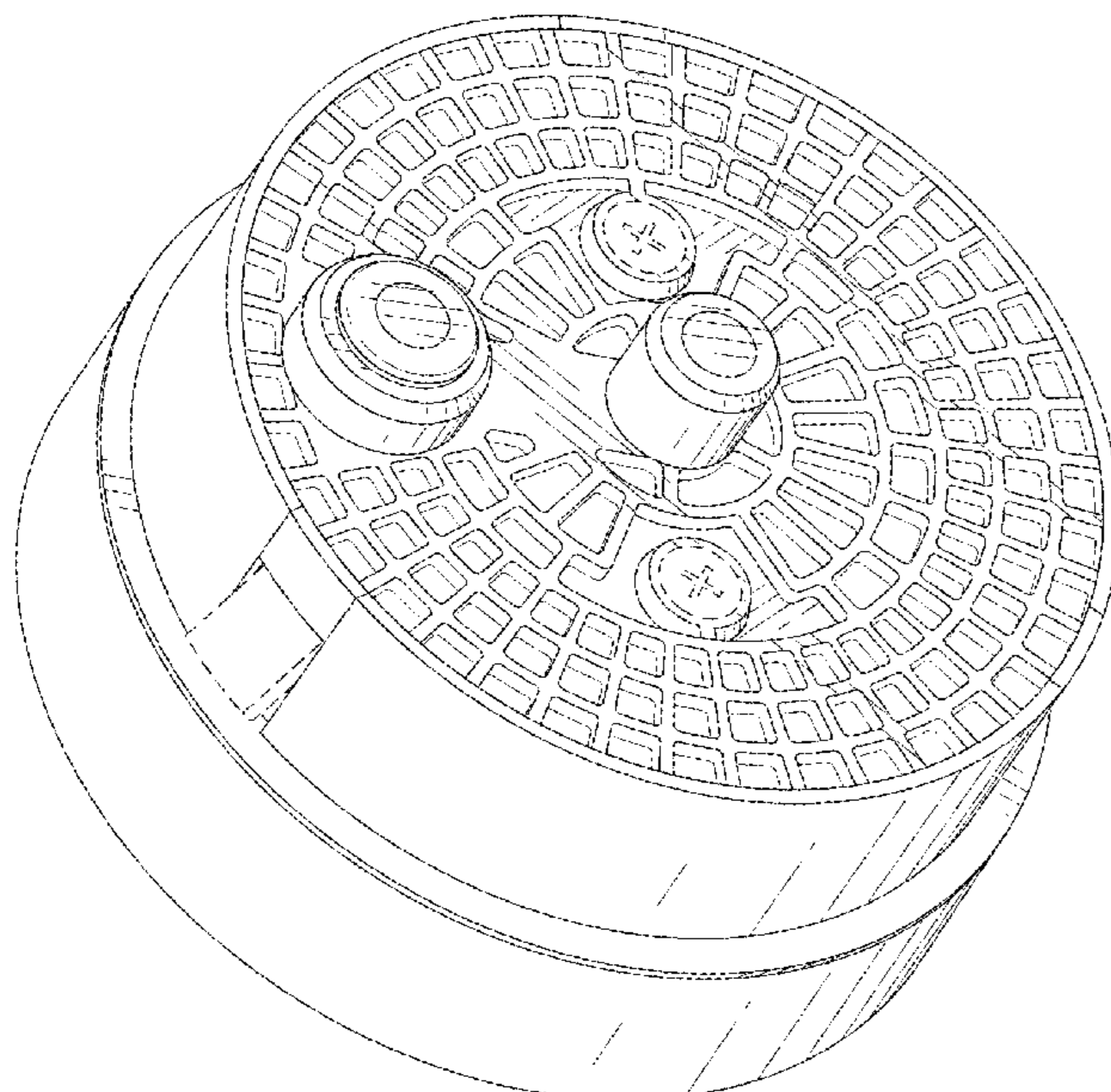
FIG. 4 is a front view thereof taken along line 4-4 of FIG. 5;

FIG. 5 is a bottom plan view thereof; and,

FIG. 6 is a top plan view thereof.

The dash-dash broken lines illustrate environmental structure and form no part of the claimed design.

1 Claim, 5 Drawing Sheets



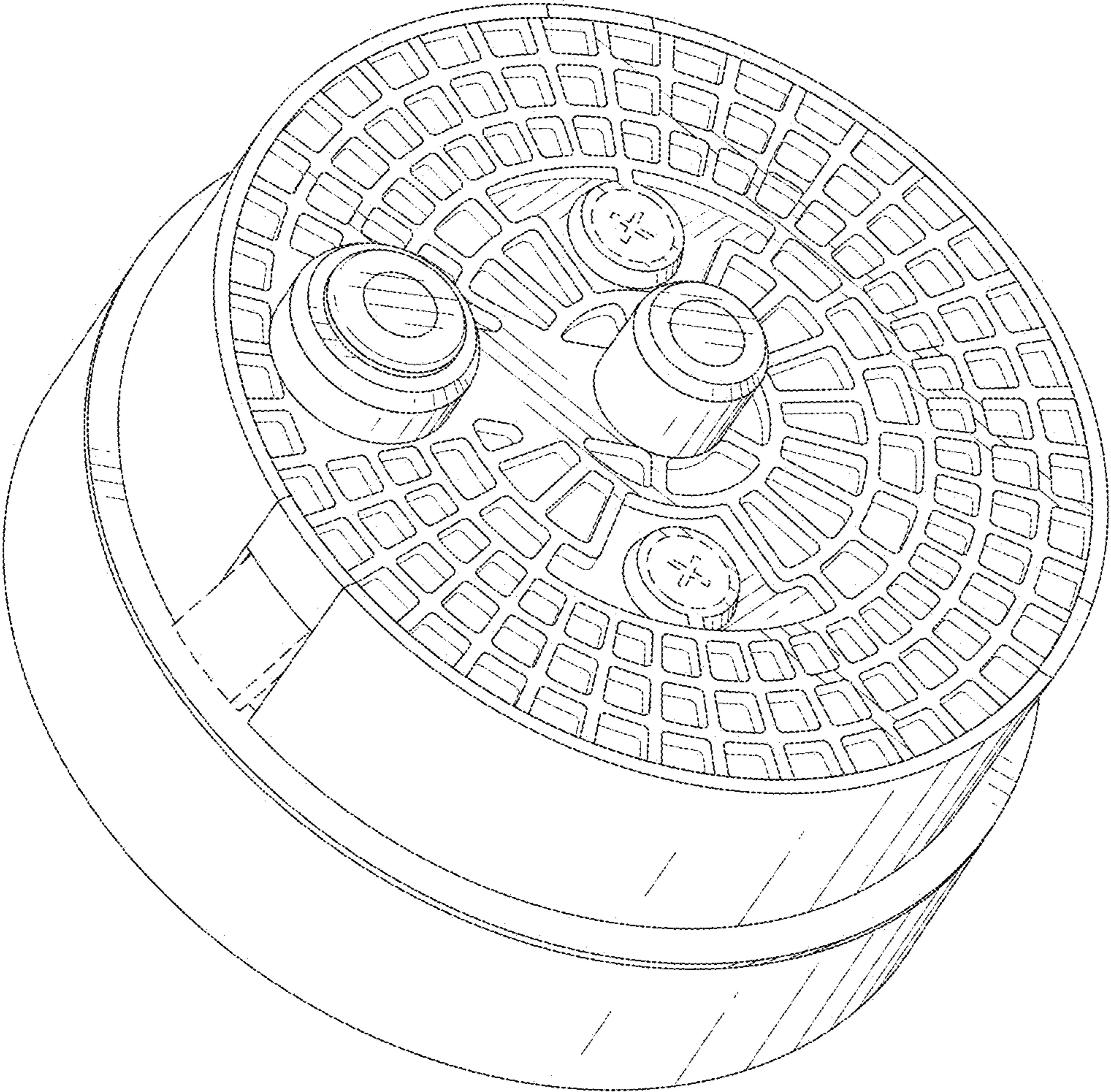


Fig. 1

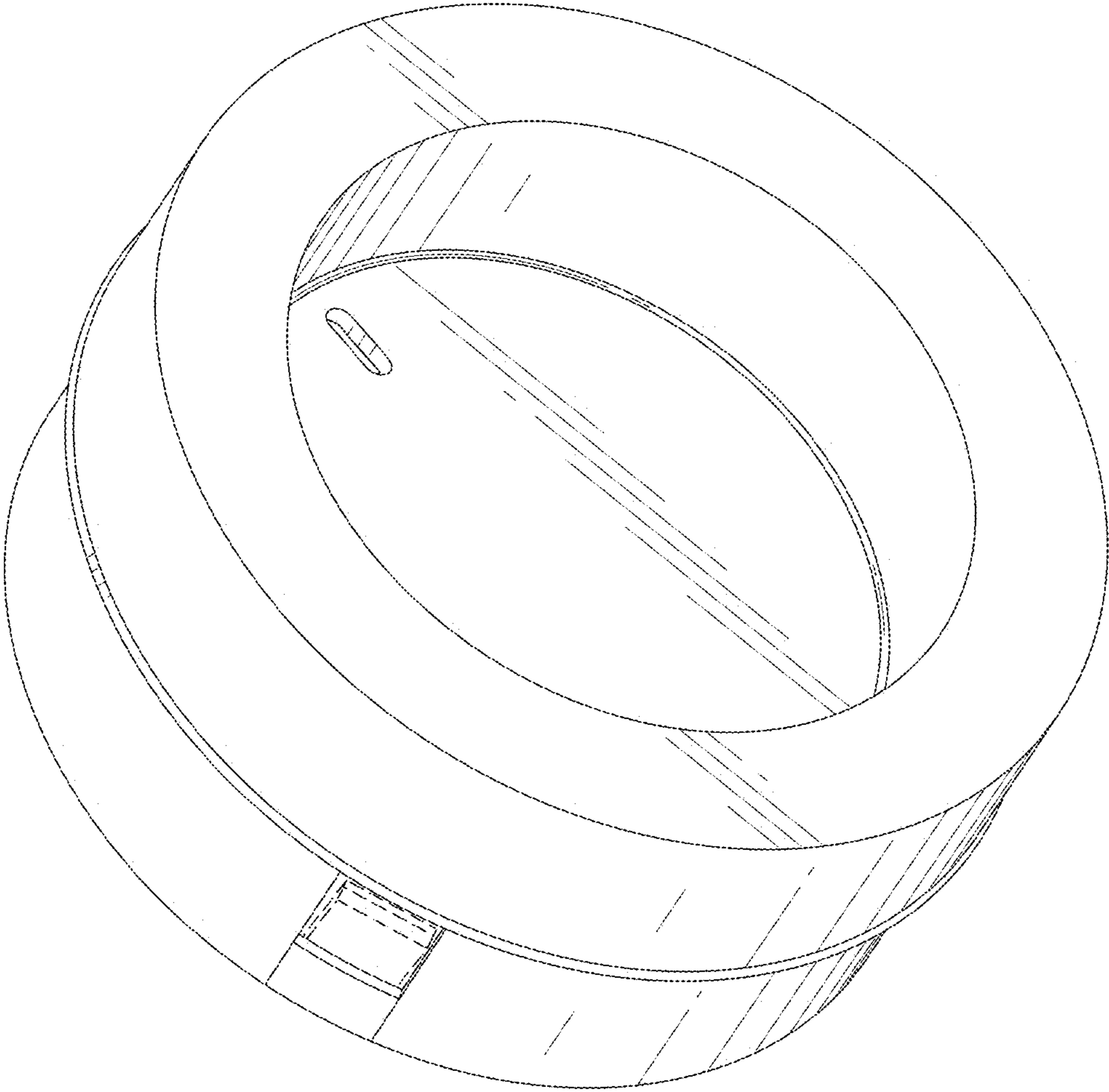


Fig. 2

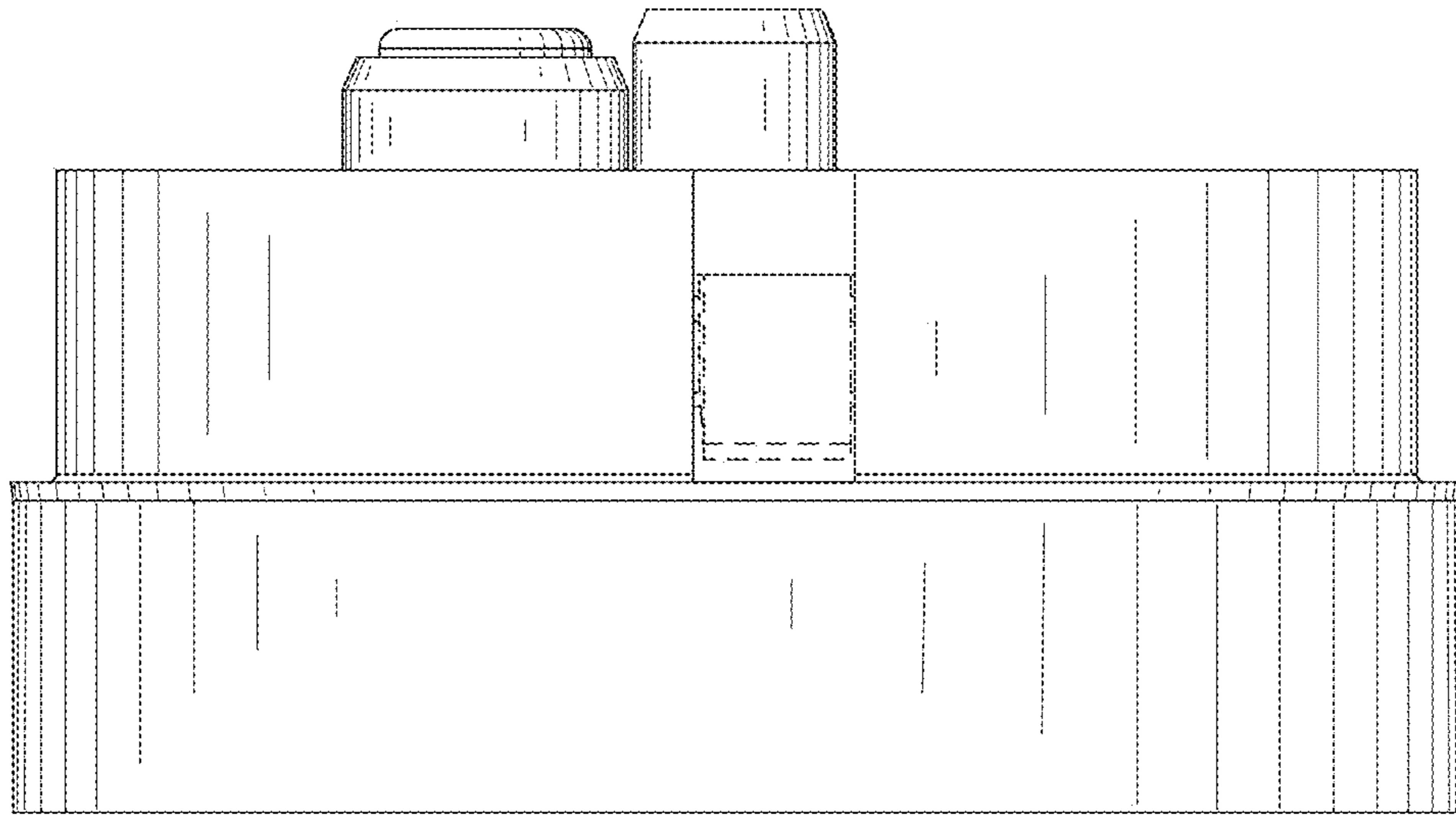


Fig. 3

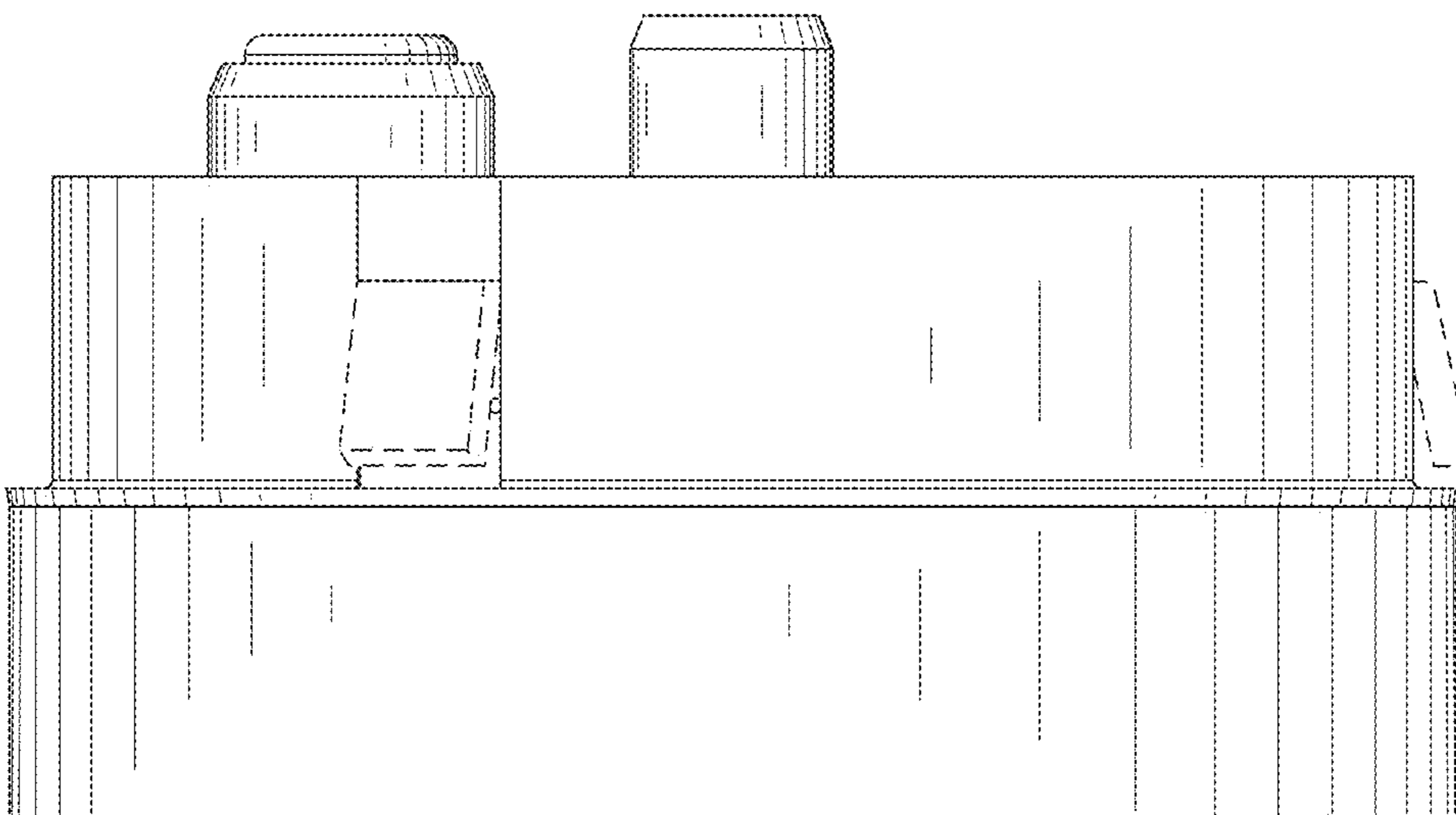


Fig. 4

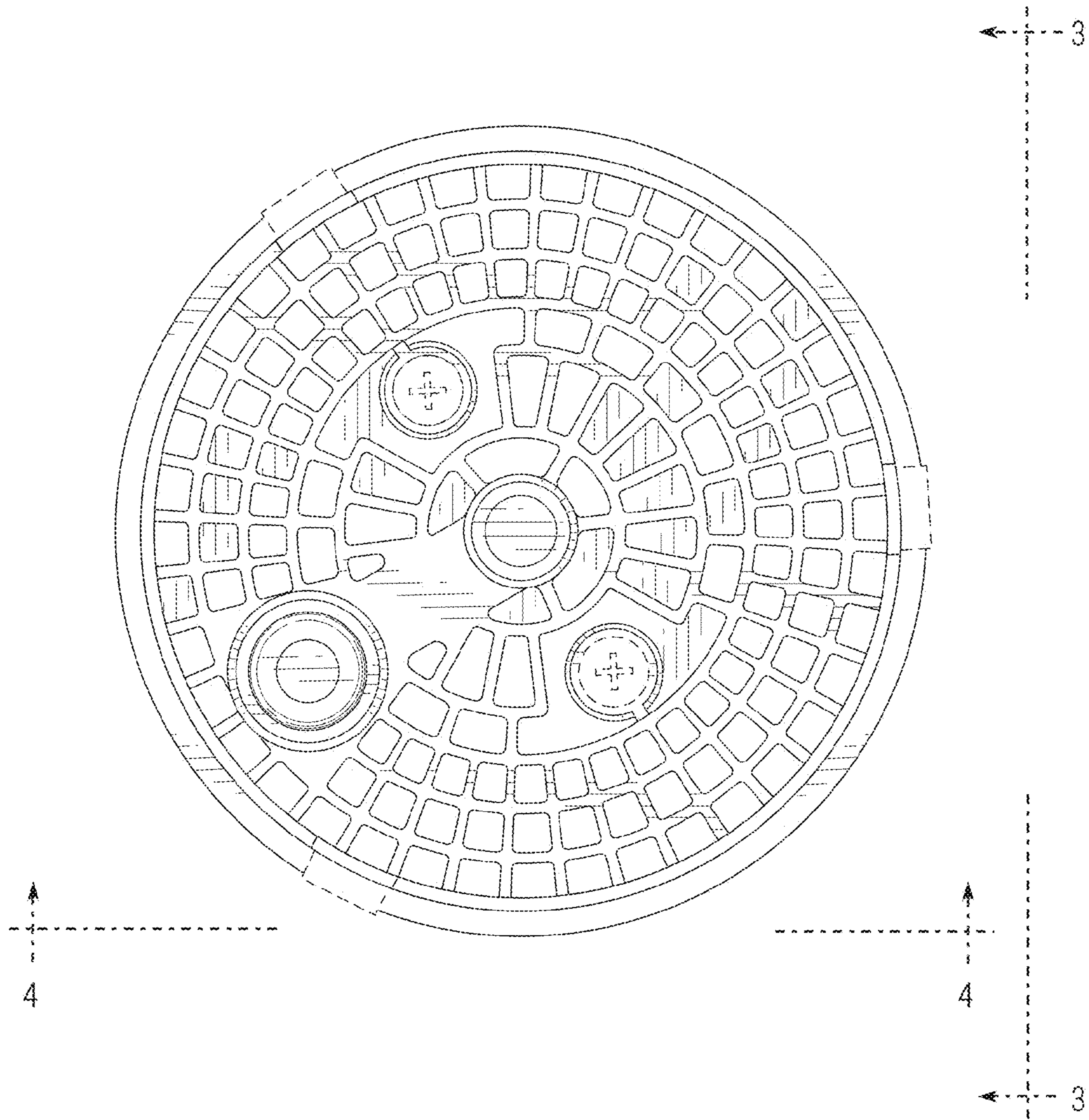


Fig. 5

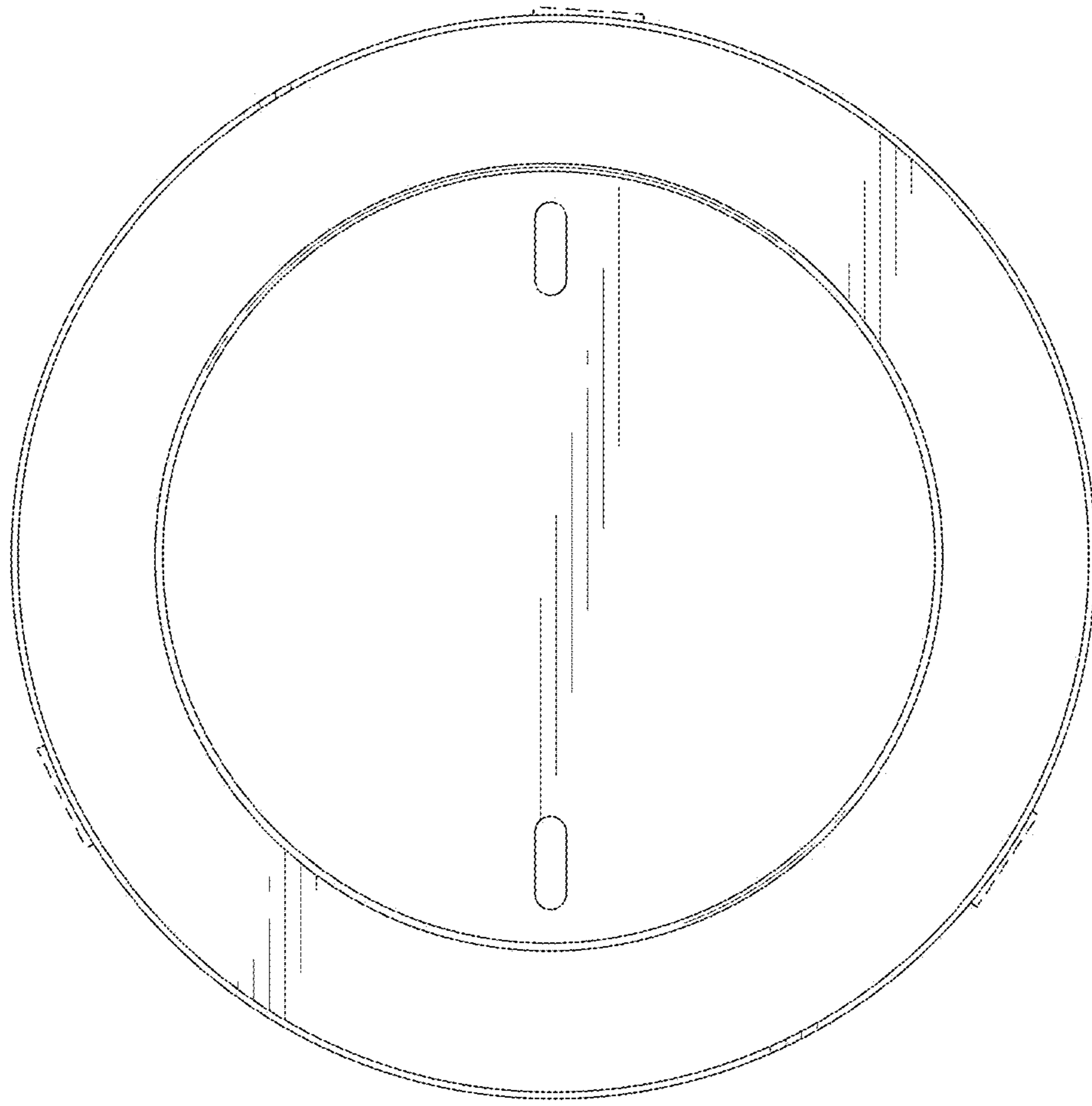


Fig. 6