



US00D877961S

(12) **United States Design Patent**
Eads et al.

(10) **Patent No.:** **US D877,961 S**
(45) **Date of Patent:** **** Mar. 10, 2020**

(54) **LIGHTING SCONCE WITH ELBOW**

(71) Applicant: **Nspire Lighting LLC**, Marion, IN (US)

(72) Inventors: **Thad J. Eads**, Urbana, IN (US); **Jake W. Miller**, Fishers, IN (US); **Michael C. Sale**, Kirkwood, MO (US)

(73) Assignee: **Nspire Lighting LLC, an Indiana limited liability company**, Marion, IN (US)

(**) Term: **15 Years**

(21) Appl. No.: **29/655,755**

(22) Filed: **Jul. 6, 2018**

(51) **LOC (12) Cl.** **26-03**

(52) **U.S. Cl.**
USPC **D26/87**

(58) **Field of Classification Search**
USPC D26/71, 87, 92
CPC .. F21S 8/033; F21S 8/035; F21S 8/036; F21S 8/085; F21S 9/035; F21S 9/037; F21V 21/108; F21W 2121/004; F21W 2131/1005; F21W 2131/103; F21W 2131/107; F21W 2131/109
See application file for complete search history.

(56) **References Cited**

U.S. PATENT DOCUMENTS

D55,390 S *	6/1920	Maerz	D26/92
D67,053 S *	4/1925	Schweiker	D26/92
D71,304 S *	10/1926	Scchweiker	D26/92
D91,860 S *	4/1934	Cowan	D26/92
D125,125 S *	2/1941	Brooks	D26/92
D208,003 S *	6/1967	Eckert	D26/87
D590,089 S *	4/2009	Citterio	D26/87
D673,319 S *	12/2012	Guercio	D26/87
D783,882 S *	4/2017	Dolan	D26/87
D821,017 S *	6/2018	Brannon	D26/87
D821,630 S *	6/2018	Coles	D26/87

(Continued)

OTHER PUBLICATIONS

Wall lamp sold by Atcoe Wall Lamp at amazon.com Nov. 20, 2017. (Year: 2017).*

(Continued)

Primary Examiner — Clare E Heflin

(74) *Attorney, Agent, or Firm* — Hamby Law Firm; Bruce W. Hamby

(57) **CLAIM**

The ornamental design for a lighting sconce with elbow, as shown and described.

DESCRIPTION

FIG. 1 is a left front upper perspective view of a lighting sconce with elbow showing our new design.

FIG. 2 is a left front perspective exploded view of a lighting sconce with elbow showing our new design.

FIG. 3 is a right rear lower perspective exploded view of a lighting sconce with elbow showing our new design.

FIG. 4 is a right rear perspective view of a lighting sconce with elbow showing our new design.

FIG. 5 is a left elevational view of a lighting sconce with elbow showing our new design.

FIG. 6 is a front elevational view of a lighting sconce with elbow showing our new design.

FIG. 7 is a right elevational view of a lighting sconce with elbow showing our new design.

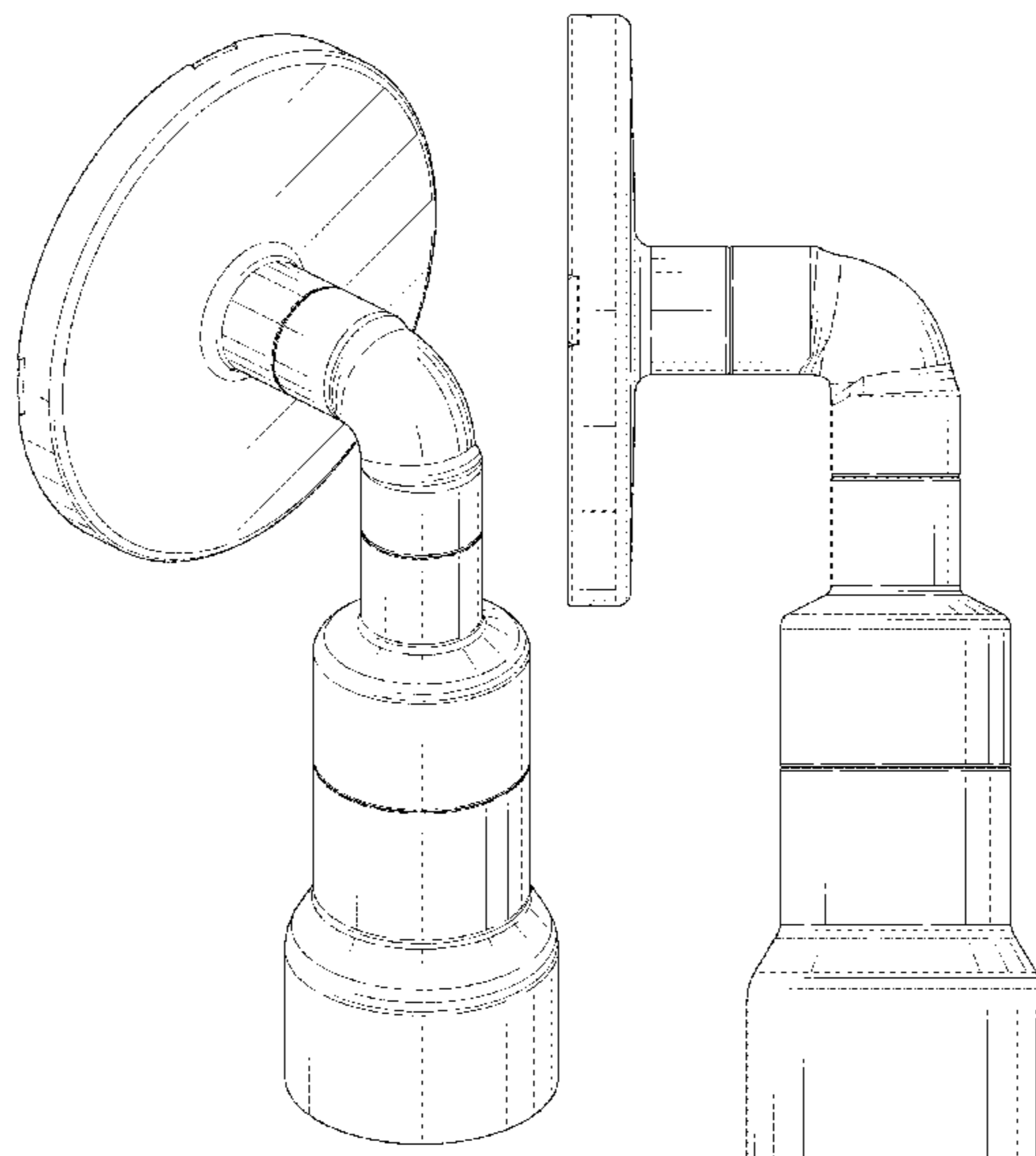
FIG. 8 is a back elevational view of a lighting sconce with elbow showing our new design.

FIG. 9 is a top plan view of a lighting sconce with elbow showing our new design; and,

FIG. 10 is a bottom plan view of a lighting sconce with elbow showing our new design.

The broken lines shown on the drawings depict portions of the lighting sconce with elbow that form no part of the claimed design.

1 Claim, 9 Drawing Sheets



(56)

References Cited

U.S. PATENT DOCUMENTS

2007/0114947 A1* 5/2007 Hsieh F21S 8/035
315/159
2019/0145612 A1* 5/2019 Crosby F21V 21/116
362/245

OTHER PUBLICATIONS

Elbow Wall Mount sconce No. B-4 from shiplights.com visited Oct.
10, 2019. (Year: 2019).*

* cited by examiner

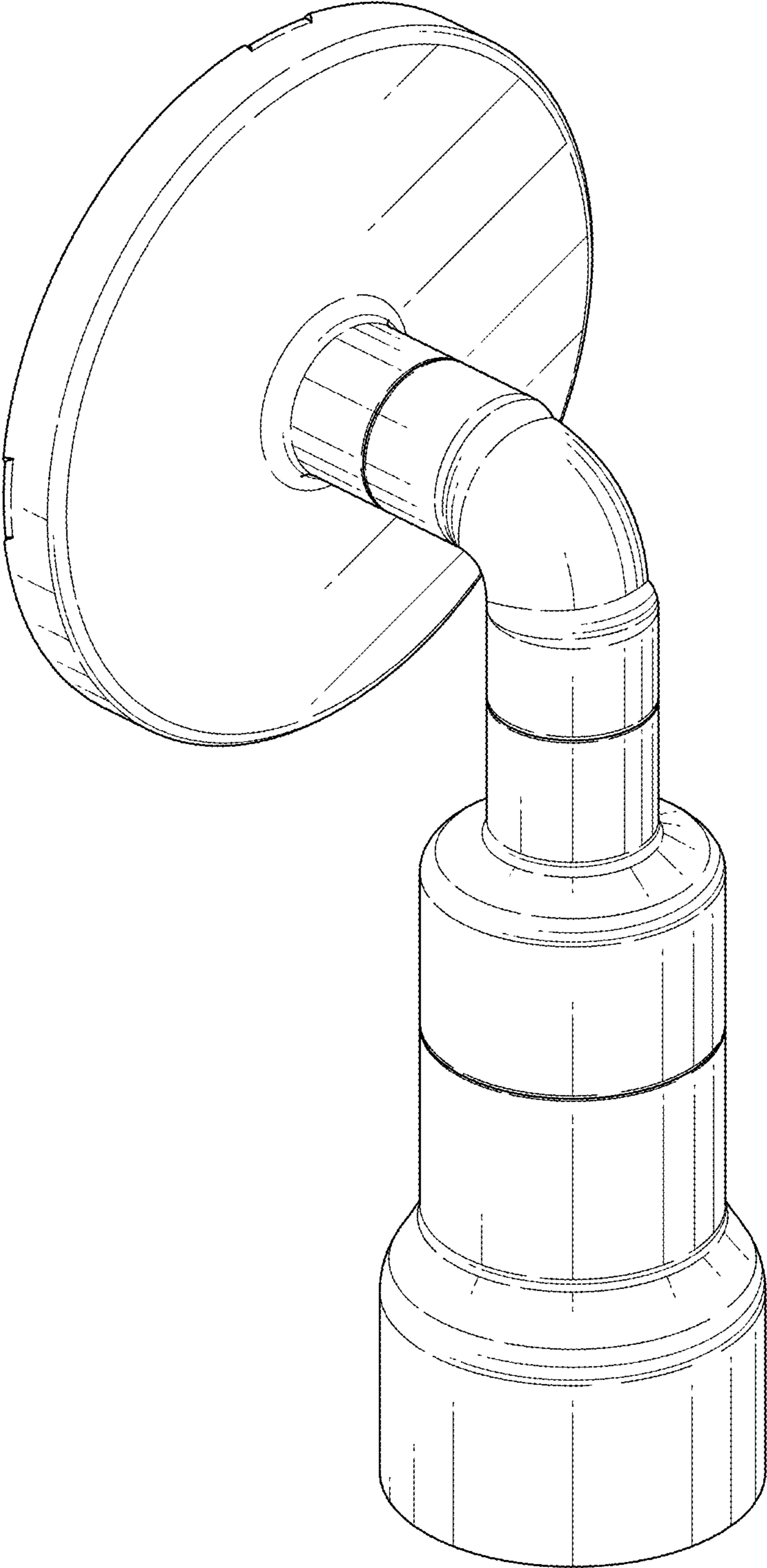


FIG. 1

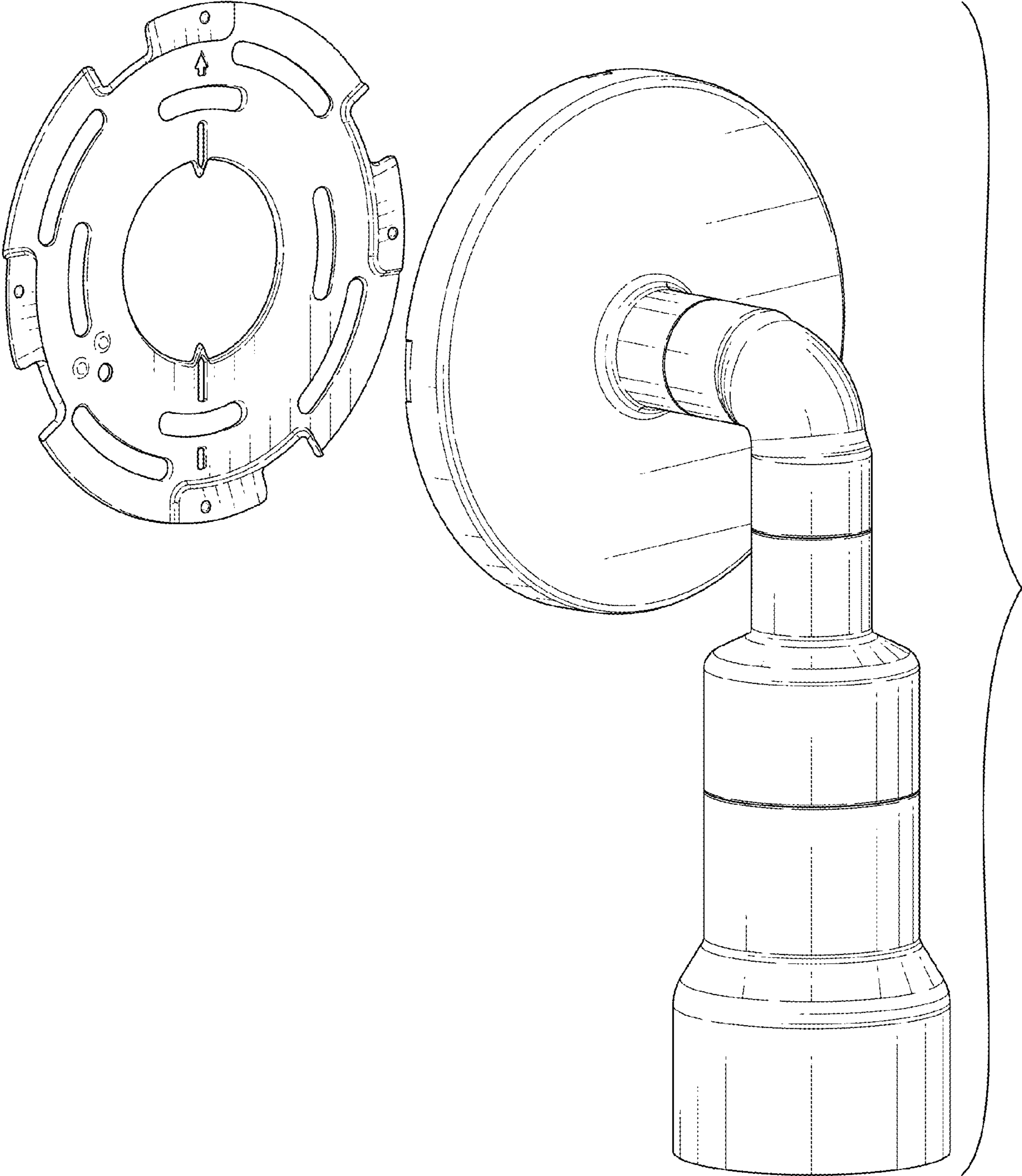


FIG. 2

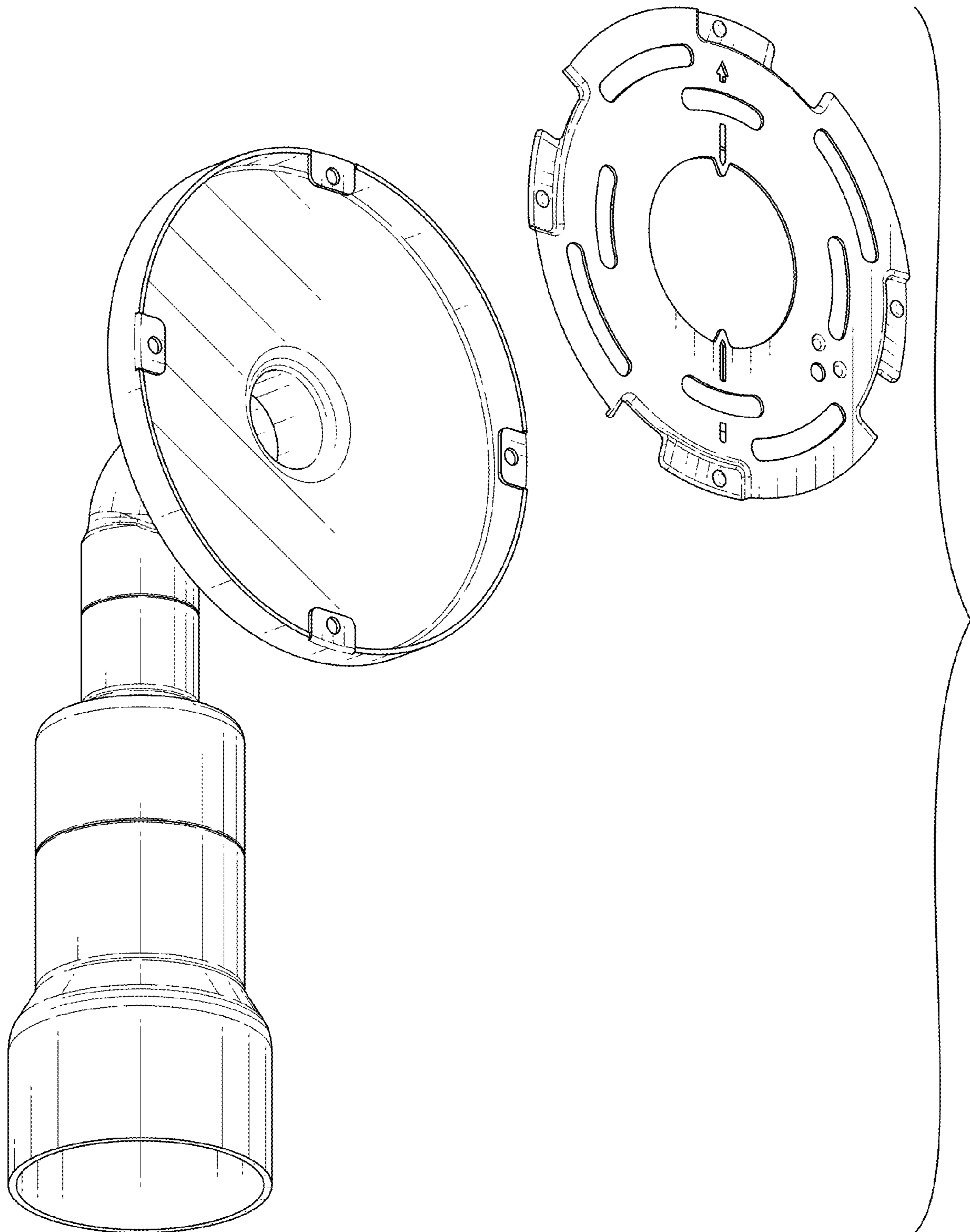


FIG. 3

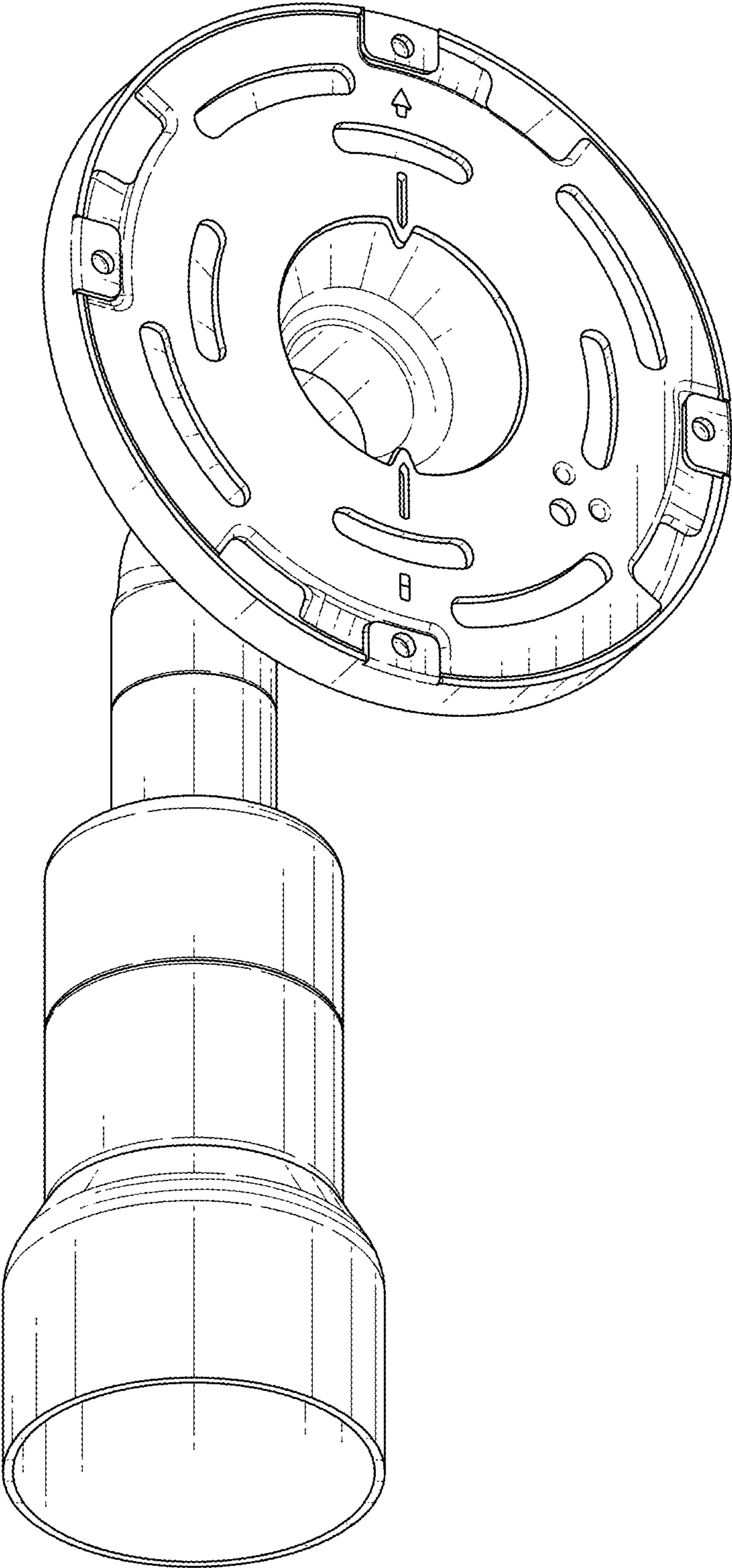


FIG. 4

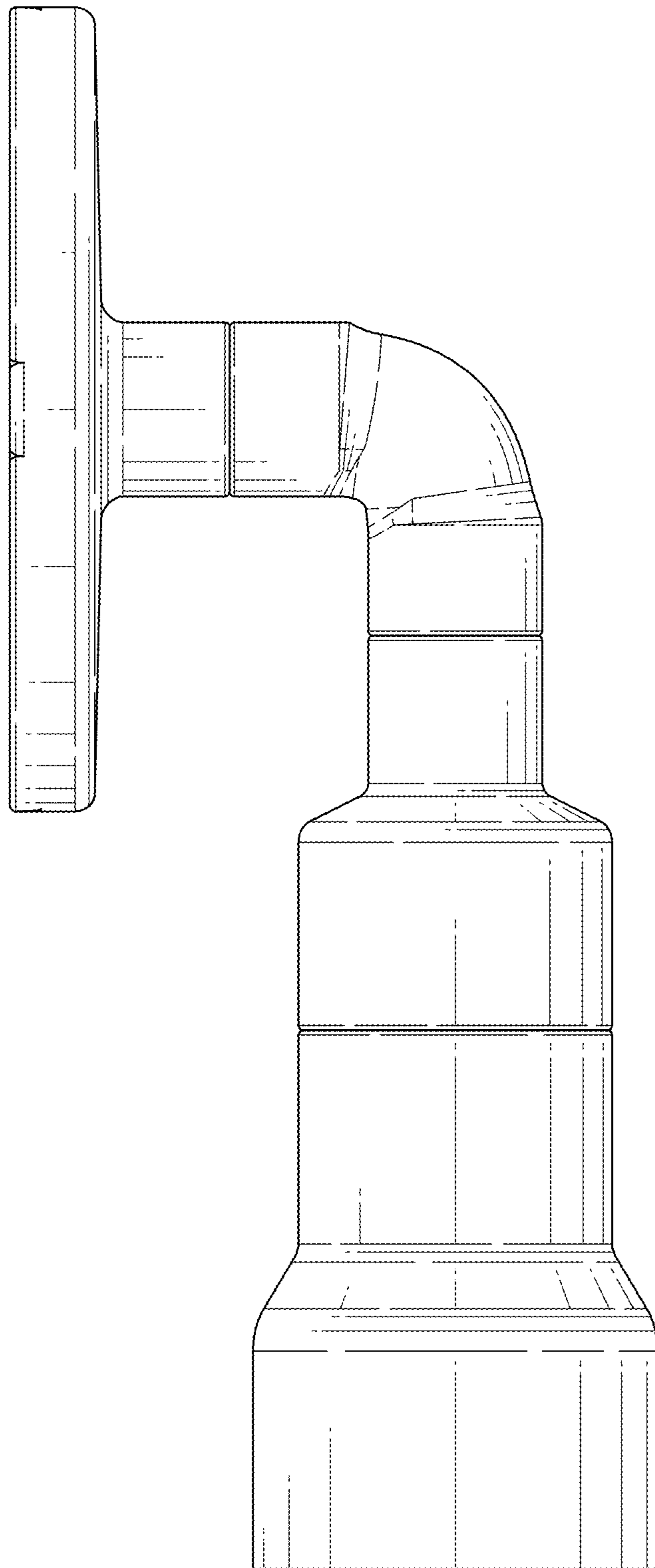


FIG. 5

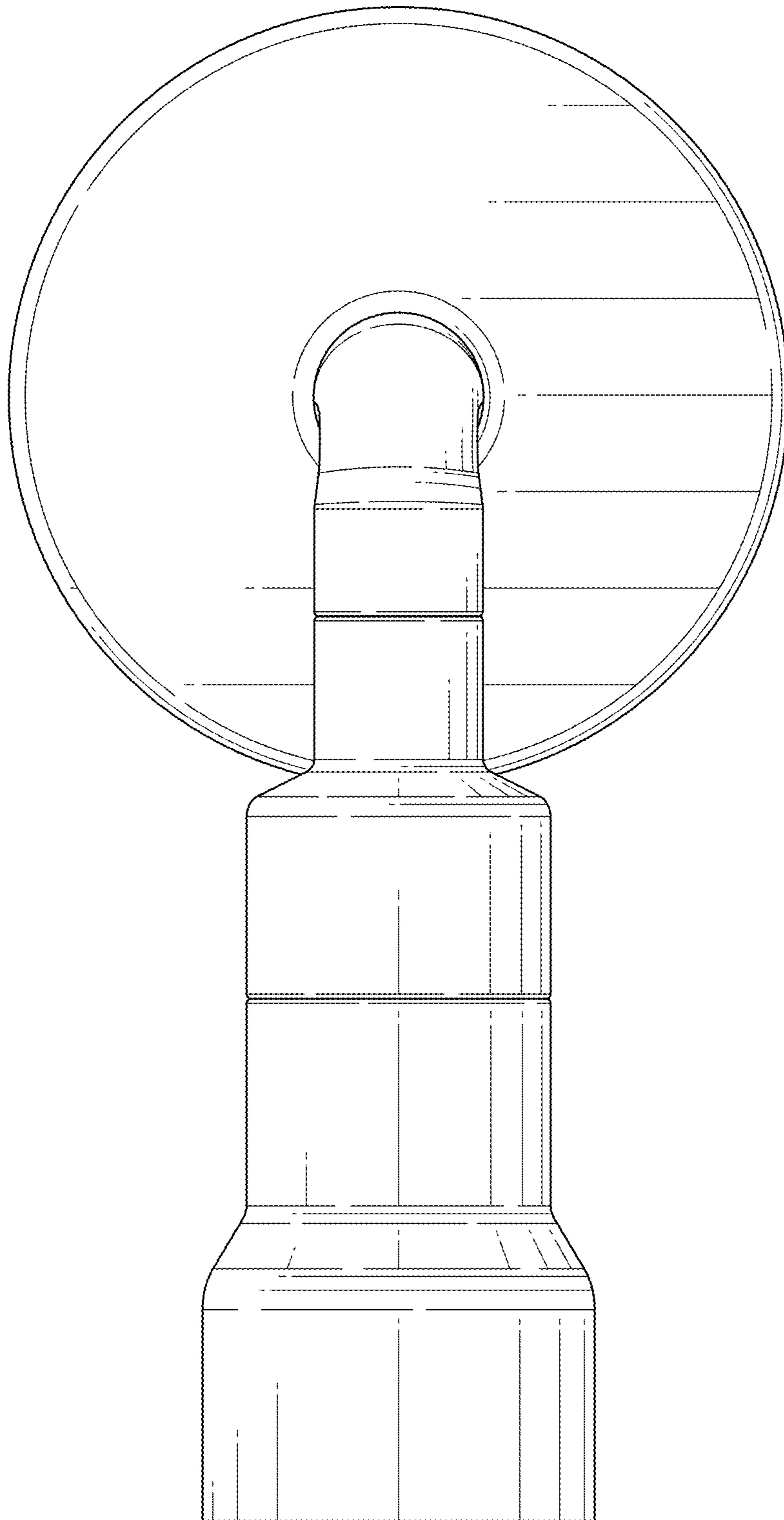


FIG. 6

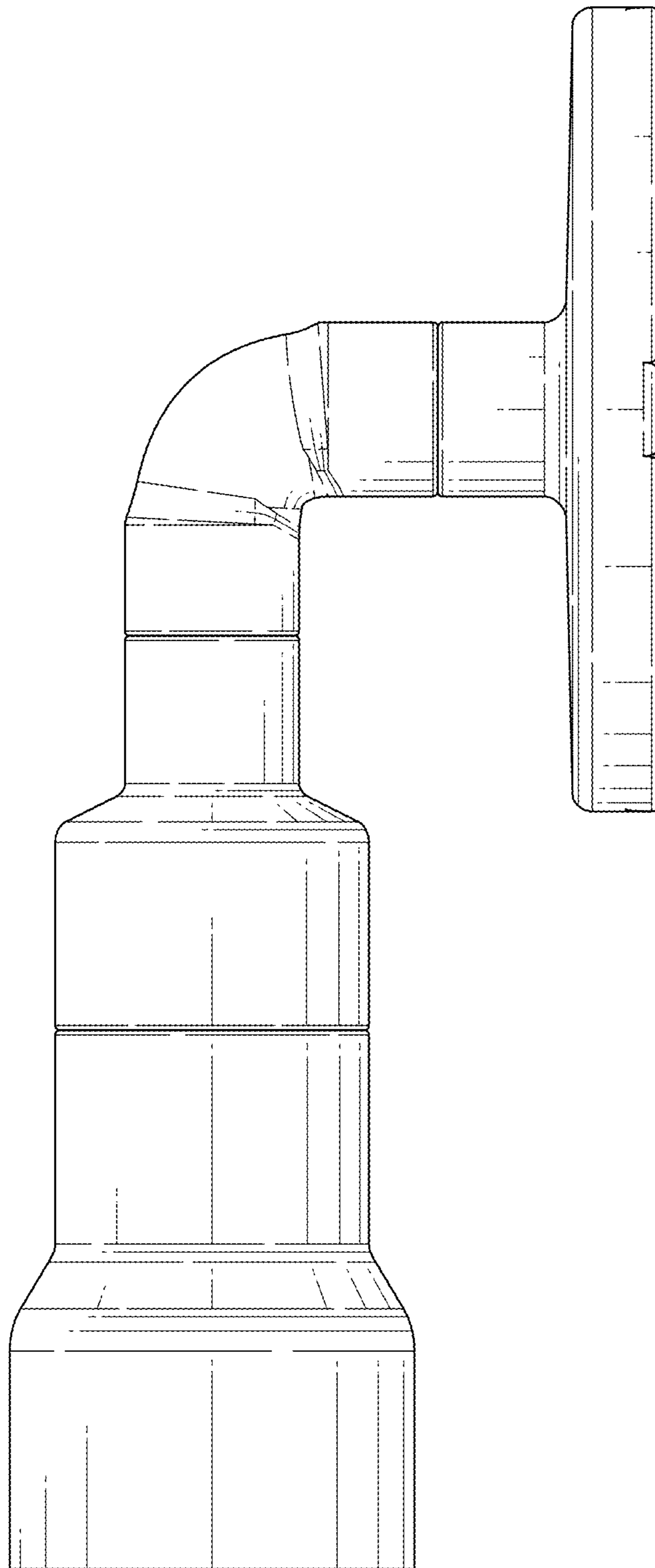


FIG. 7

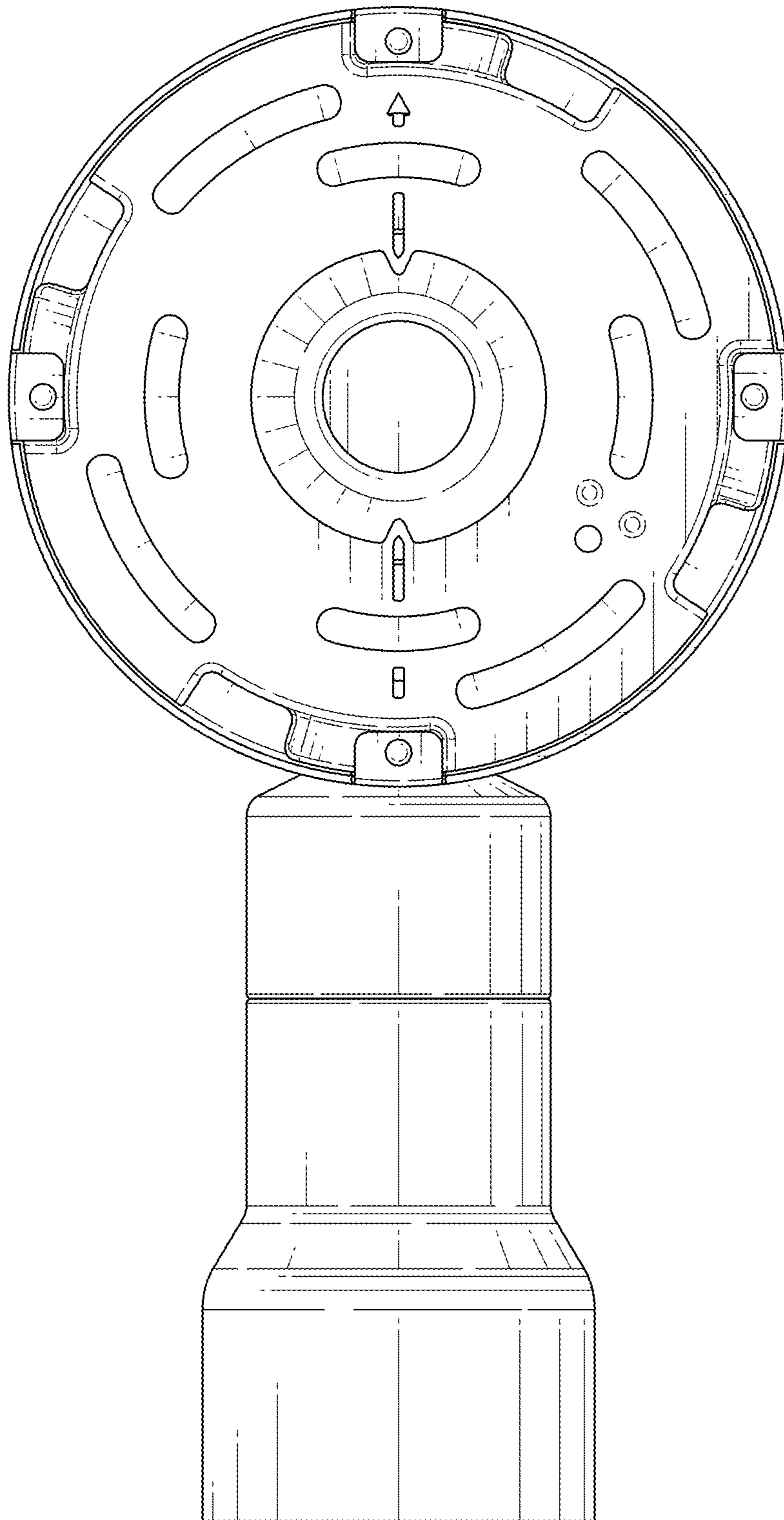


FIG. 8

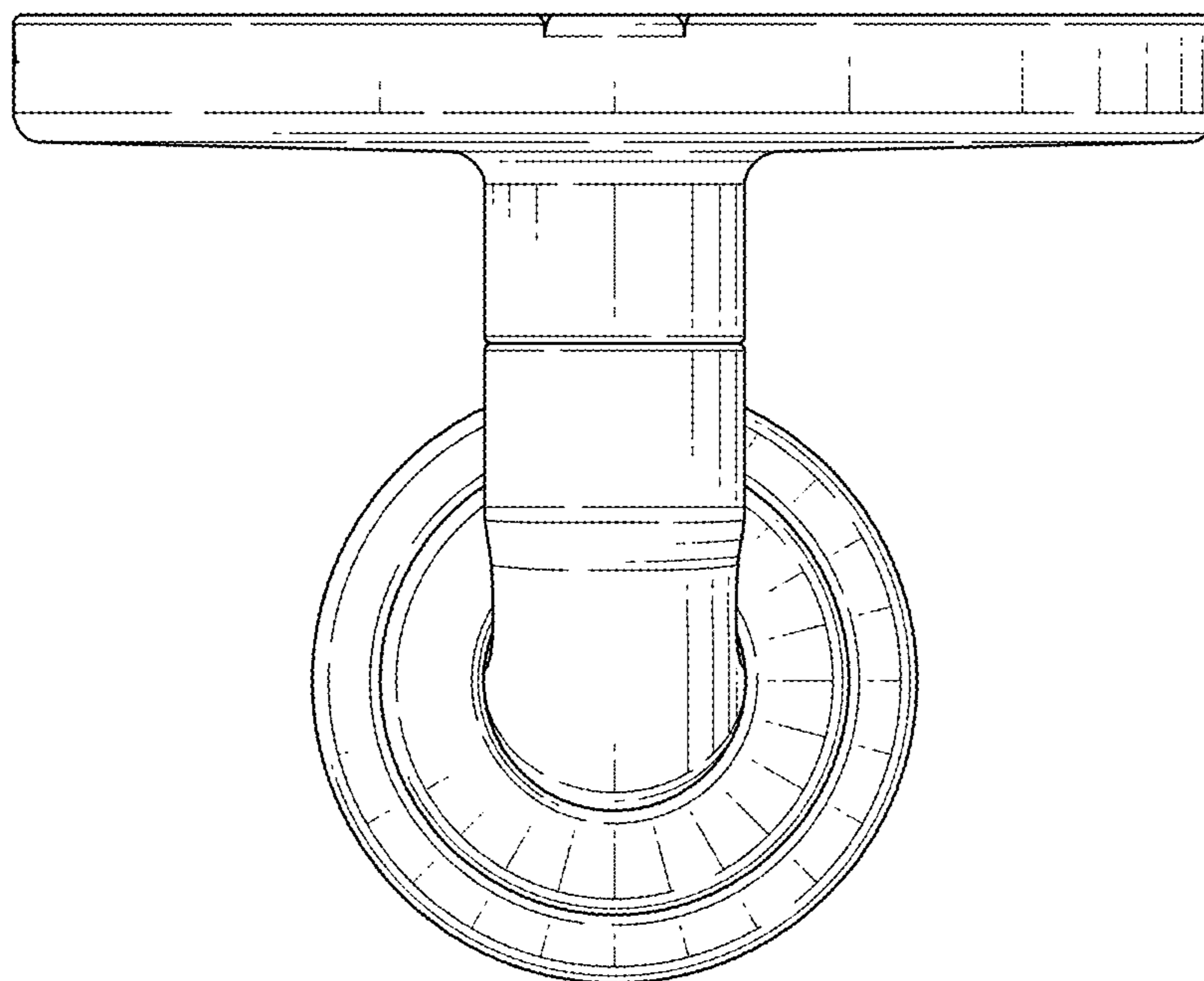


FIG. 9

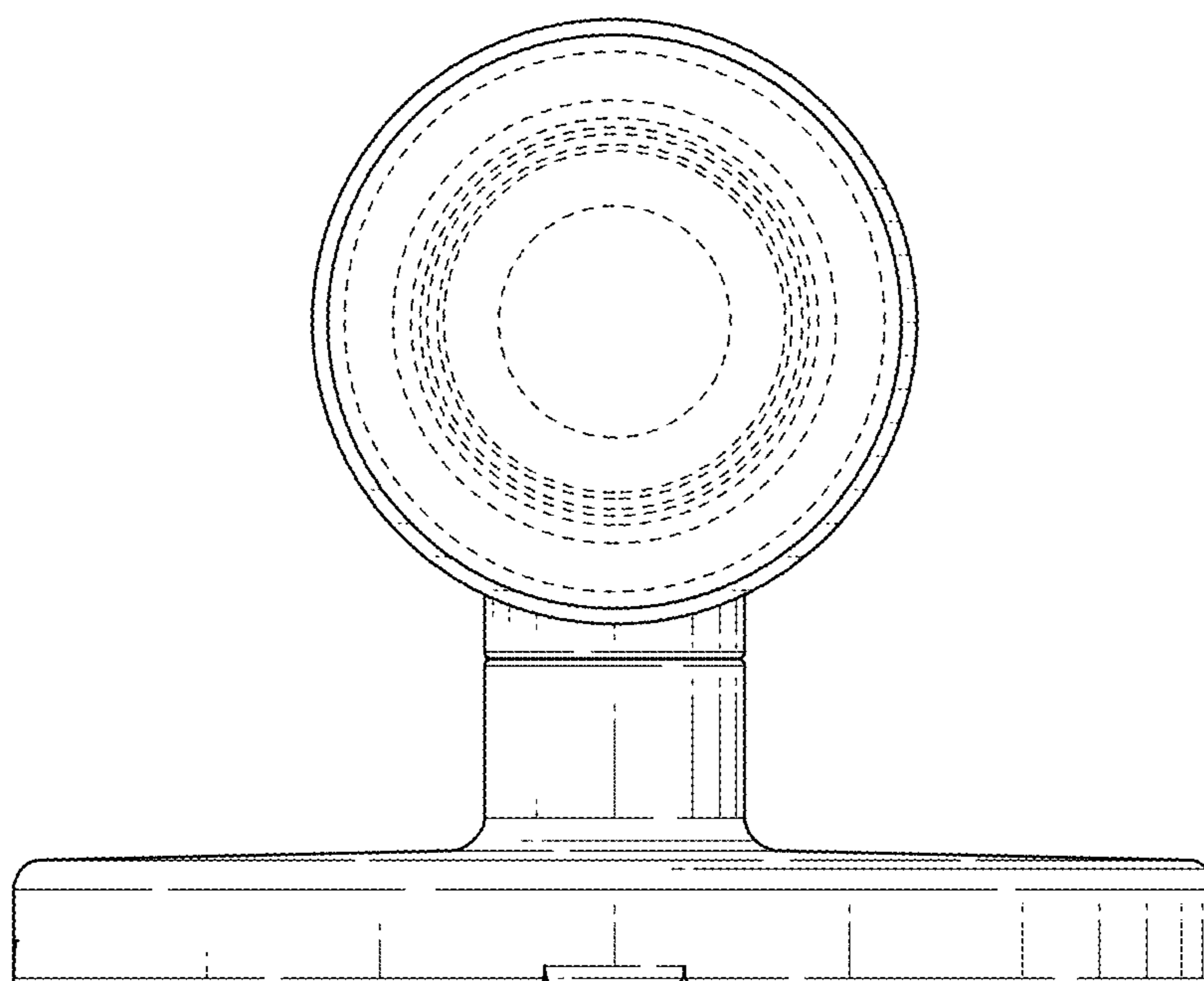


FIG. 10