



US00D877959S

(12) **United States Design Patent**
Birchfield

(10) **Patent No.:** **US D877,959 S**
(45) **Date of Patent:** **** Mar. 10, 2020**

(54) **LIGHTING FIXTURE**

- (71) Applicant: **Kichler Lighting LLC**, Cleveland, OH (US)
- (72) Inventor: **Wendy Ann Birchfield**, Parma Heights, OH (US)
- (73) Assignee: **Kichler Lighting LLC**, Cleveland, OH (US)

(**) Term: **15 Years**

(21) Appl. No.: **29/651,270**

(22) Filed: **Mar. 2, 2018**

(51) **LOC (12) Cl.** **26-03**

(52) **U.S. Cl.**
USPC **D26/81**

(58) **Field of Classification Search**
USPC D26/81-86, 88-91
CPC F21S 8/04; F21S 8/043; F21S 8/046; F21S 8/06; F21S 8/065; F21S 8/066; F21S 8/068

See application file for complete search history.

(56) **References Cited**

U.S. PATENT DOCUMENTS

D66,151 S *	12/1924	Stover	D26/81
D580,088 S *	11/2008	Orozco	D26/81
D592,787 S *	5/2009	Chandler	D26/81
D620,179 S *	7/2010	Sabernig	D26/84
D722,402 S *	2/2015	Orozco	D26/88
D728,141 S *	4/2015	Nicholas	D26/81
D760,420 S *	6/2016	Tomlinson	D26/81
D770,663 S *	11/2016	Nicholas	D26/81
D779,102 S *	2/2017	Garraton	D26/81
D786,481 S *	5/2017	Wiedemer	D26/81
D835,322 S *	12/2018	Nicholas	D26/81
D851,317 S *	6/2019	Orozco	D26/81
2019/0162376 A1 *	5/2019	Sonneman	F21V 21/104

OTHER PUBLICATIONS

- Ellenton 4-Light Square/Rectangle Chandelier from birchlane.com visited Sep. 18, 2019. (Year: 2019).*
- Tiedeman 8-Light Rectangle Chandelier from birchlane.com as early as Jul. 14, 2019. (Year: 2019).*
- Rectangular Gray Wood 3 Light Valencia Chandelier from worldmarket.com as early as Sep. 18, 2017. (Year: 2017).*
- 5-Light Kitchen Island Chandelier by VINLUZ at amazon.com Jun. 25, 2019. (Year: 2019).*

* cited by examiner

Primary Examiner — Clare E Heflin

(74) *Attorney, Agent, or Firm* — Brooks Kushman P.C.

(57) **CLAIM**

I claim the ornamental designs for a lighting fixture, as shown and described.

DESCRIPTION

FIG. 1 is a perspective view of a lighting fixture showing the new design. Excluding the hanging loops, this fixture has mirror image symmetry (one hundred eighty degree overall rotational symmetry and mirror image symmetry along a first vertical imaginary plane and also mirror image symmetry along a second vertical imaginary plane, with the first and second vertical imaginary planes being orthogonal to each other). The stems, lamp bases, and shades each have a circular horizontal cross-section, and the rods composing the frame each have a square cross-section.

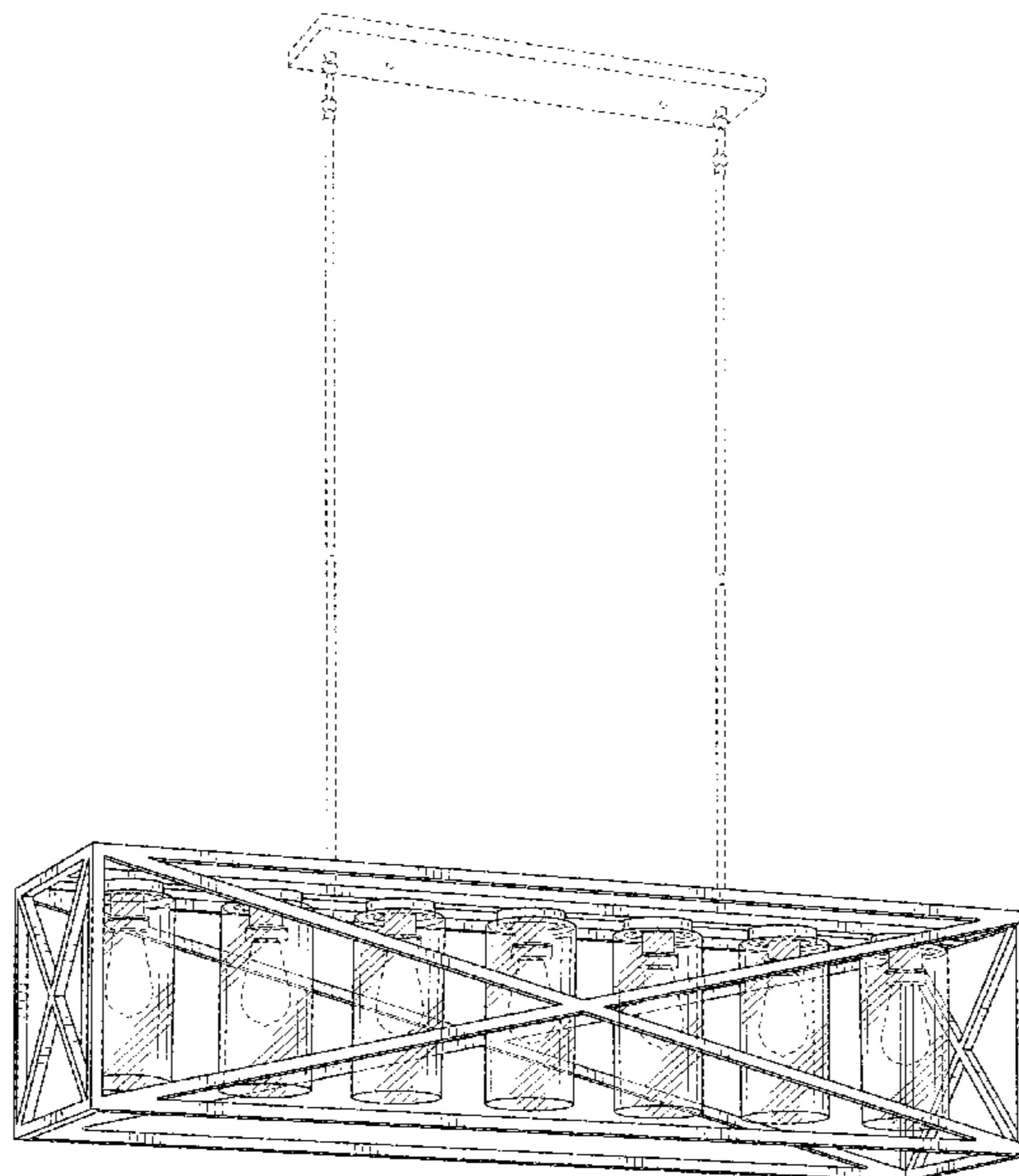
FIG. 2 is a front elevation view thereof.

FIG. 3 is a side elevation view thereof; and,

FIG. 4 is a partial top plan view thereof with a portion of the disclaimed subject matter omitted.

The dashed lines on the drawing depict portions of the lighting fixture that form no part of the claimed design.

1 Claim, 4 Drawing Sheets



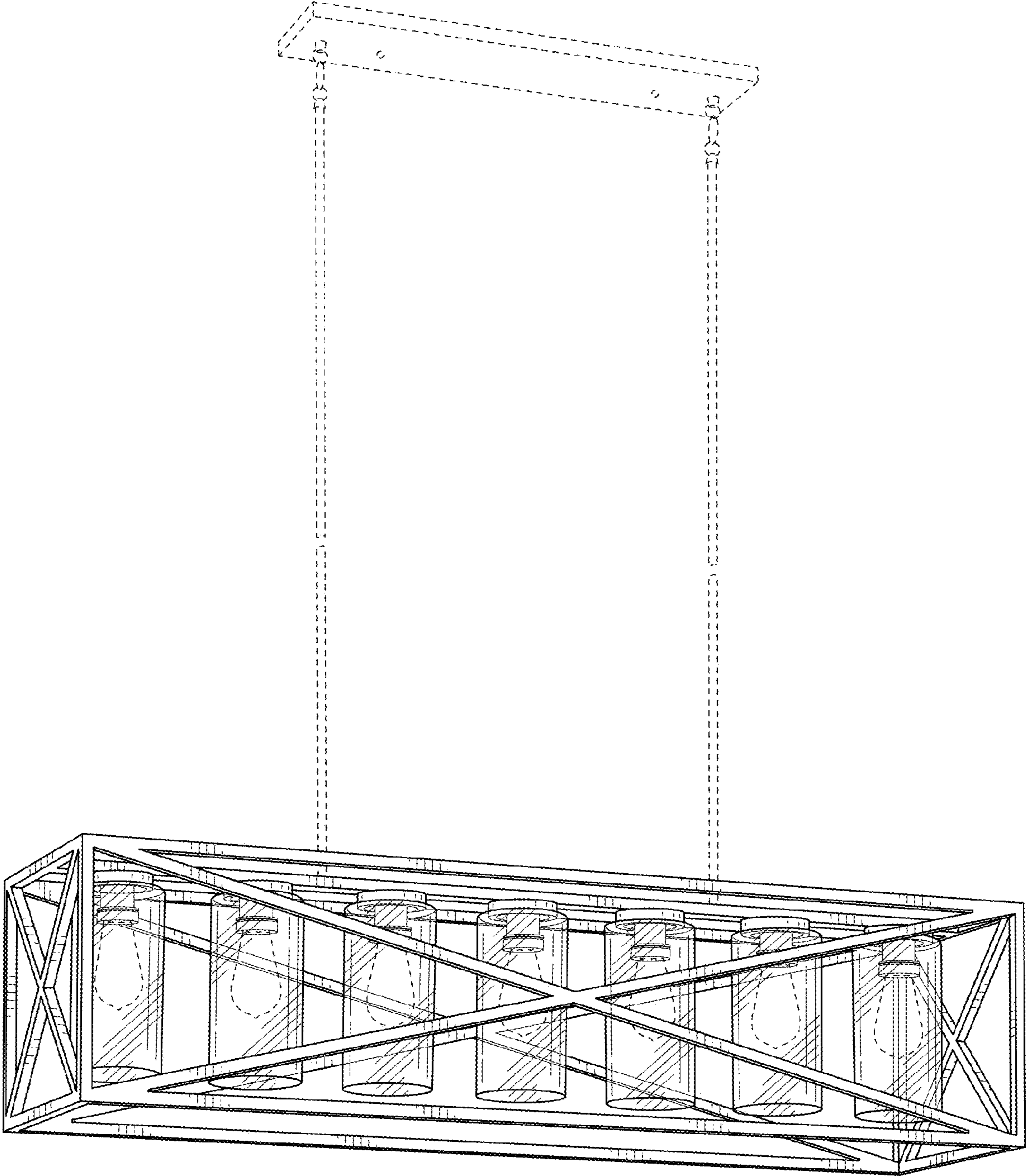


FIG. 1

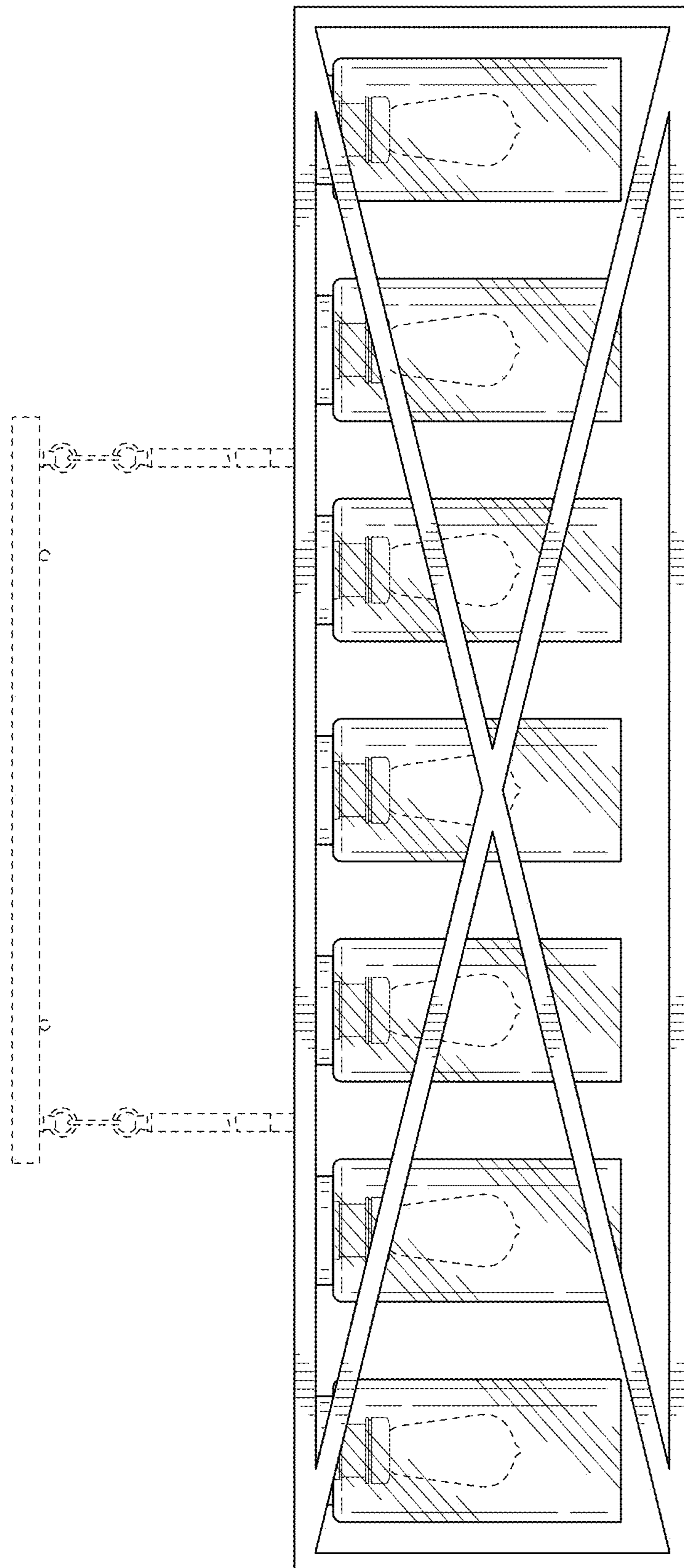


FIG. 2

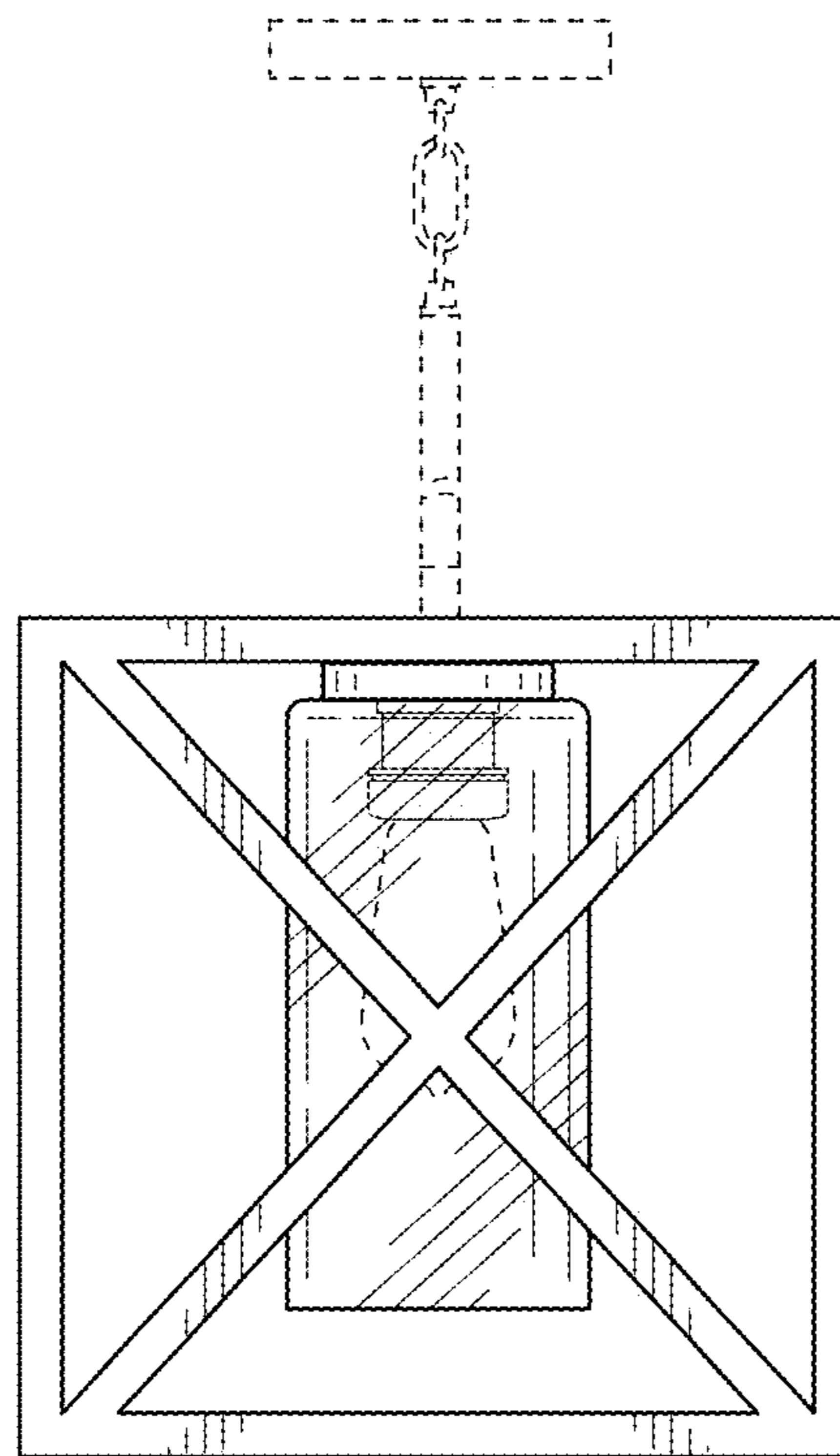


FIG. 3

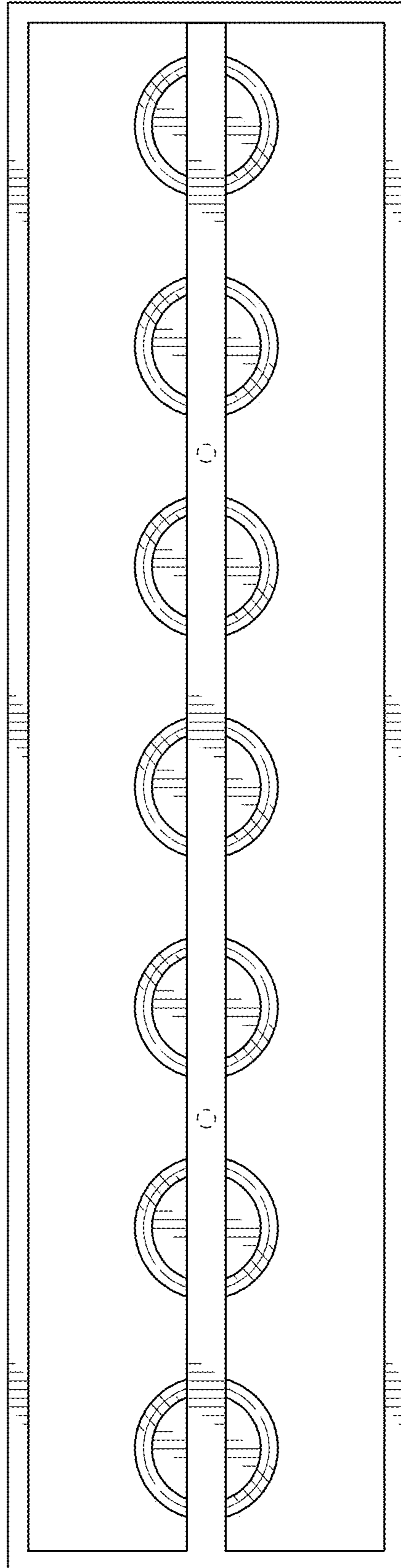


FIG. 4