

US00D877957S

(12) **United States Design Patent**  
**Kopitzke, IV**

(10) **Patent No.:** **US D877,957 S**  
(45) **Date of Patent:** **\*\* Mar. 10, 2020**

- (54) **LIGHT FIXTURE**
- (71) Applicant: **DMF Inc.**, Carson, CA (US)
- (72) Inventor: **Frederick William Kopitzke, IV**, Long Beach, CA (US)
- (73) Assignee: **DMF INC.**, Carson, CA (US)
- (\*\*) Term: **15 Years**
- (21) Appl. No.: **29/648,937**
- (22) Filed: **May 24, 2018**
- (51) **LOC (12) Cl.** ..... **26-05**
- (52) **U.S. Cl.**  
USPC ..... **D26/74**
- (58) **Field of Classification Search**  
USPC ..... D26/74, 72, 75, 76, 77, 78, 85, 88, 89,  
D26/118, 138, 141; 362/364, 365, 373,  
362/145, 146, 147, 148, 150, 153, 153.1,  
362/294, 296.01, 296, 296.08  
CPC ..... F21V 29/2262; F21V 7/06; F21V 21/044;  
F21V 21/047; F21V 29/2212; F21V  
29/2225; F21V 29/2256; F21V 29/225;  
F21V 29/2268; F21Y 2111/002; F21S  
8/02; F21S 8/026  
See application file for complete search history.

D679,047 S *	3/2013	Tickner .....	D26/124
D681,259 S *	4/2013	Kong .....	D26/113
D695,941 S *	12/2013	Rashidi .....	D26/74
D705,481 S *	5/2014	Zhang .....	D26/118
D726,949 S *	4/2015	Redfern .....	D26/74
D769,501 S *	10/2016	Jeswani .....	D26/74
D776,324 S *	1/2017	Gierl .....	D26/74
D779,100 S *	2/2017	Redfern .....	D26/74
D786,473 S *	5/2017	Dean .....	D26/74
D790,102 S *	6/2017	Guzzini .....	D26/74
D820,494 S *	6/2018	Cohen .....	D26/74
D827,903 S *	9/2018	Wu .....	D26/74

\* cited by examiner

*Primary Examiner* — Angela J Lee

(74) *Attorney, Agent, or Firm* — Foley & Lardner LLP

(57) **CLAIM**

I claim the ornamental design for a light fixture, as shown and described.

**DESCRIPTION**

FIG. 1 is a top, front, left perspective view of an embodiment of the claimed design;  
 FIG. 2 is a bottom, front, left perspective view thereof;  
 FIG. 3 is a top plan view thereof;  
 FIG. 4 is a bottom plan view thereof;  
 FIG. 5 is a left side elevation view thereof;  
 FIG. 6 is a right side elevation view thereof;  
 FIG. 7 is a front elevation view thereof; and,  
 FIG. 8 is a rear elevation view thereof.

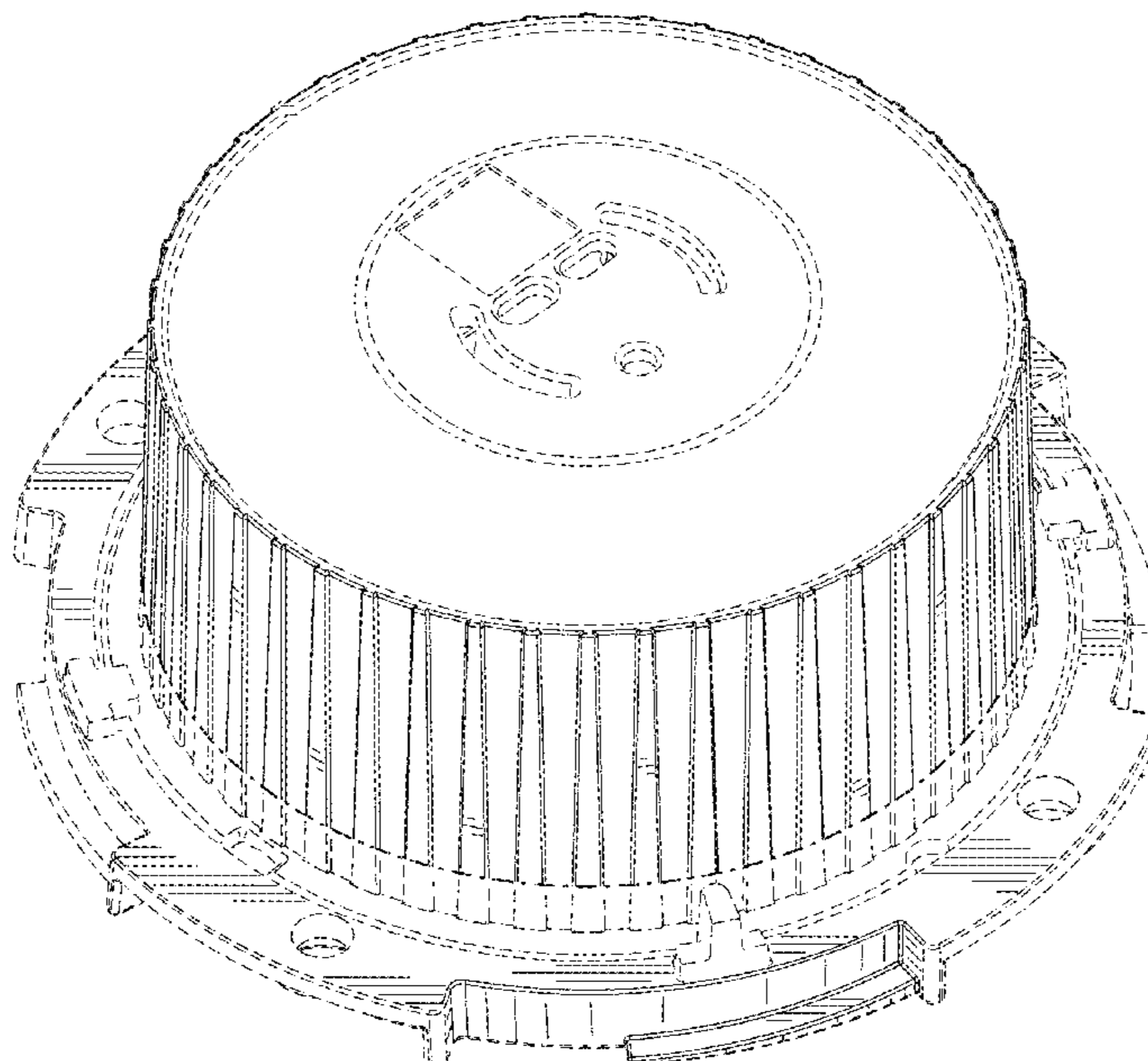
The ornamental design which is claimed is shown in solid lines in the drawings. The broken lines in the drawings are for illustrative purposes only and form no part of the claimed design. Broken lines formed by equal length dashes show unclaimed subject matter. Broken lines formed by unequal length dashes (i.e., dash-dot) define bounds of the claimed design.

**1 Claim, 8 Drawing Sheets**

(56) **References Cited**

**U.S. PATENT DOCUMENTS**

D326,537 S *	5/1992	Gattari .....	D26/74
D611,650 S *	3/2010	Broekhoff .....	D26/134
D627,507 S *	11/2010	Lai .....	D26/138
7,845,393 B2 *	12/2010	Kao .....	F28F 1/16 165/80.3
D656,263 S *	3/2012	Ogawa .....	D26/74
D677,417 S *	3/2013	Rashidi .....	F21S 8/026 D26/74



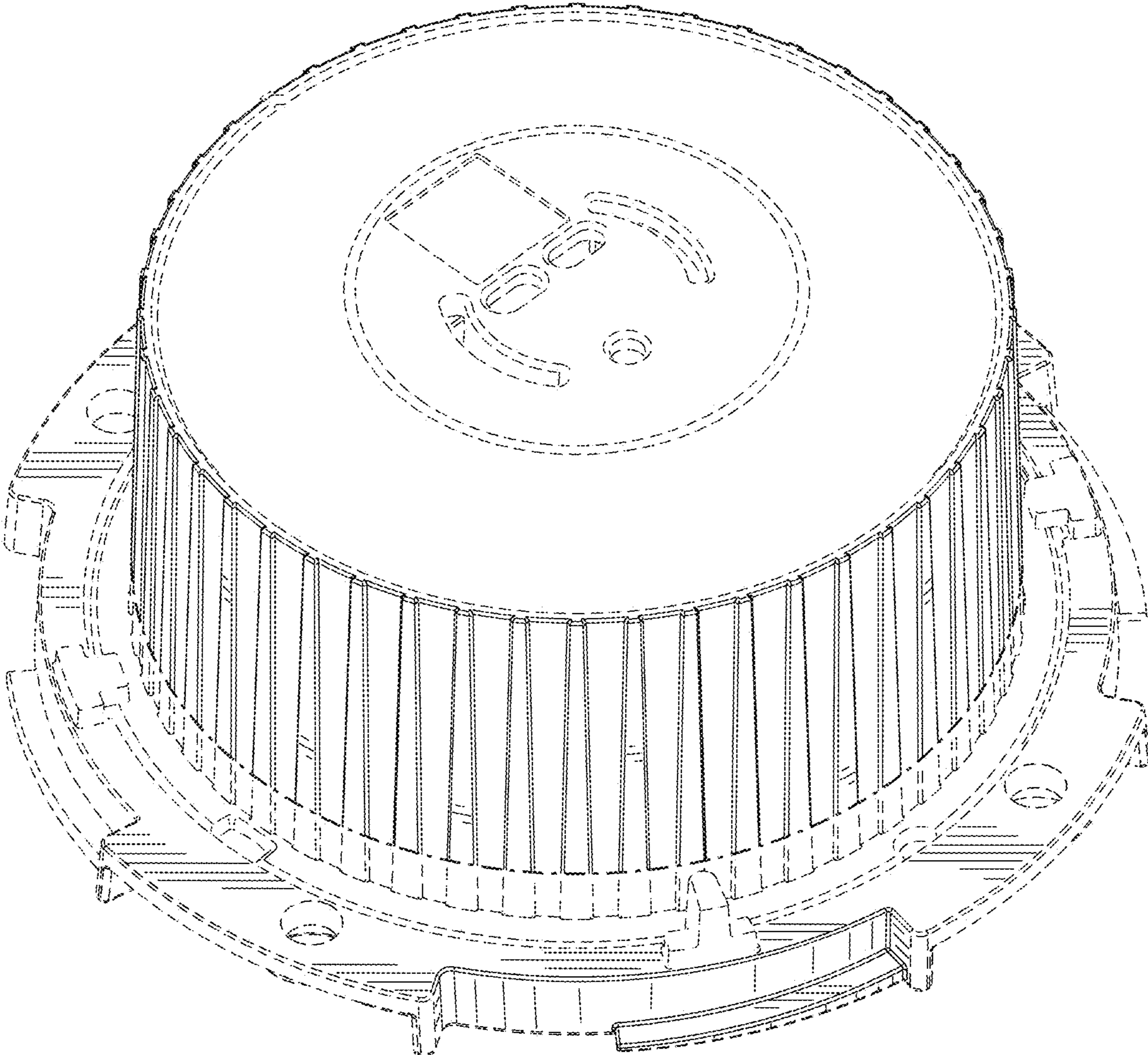


FIG. 1



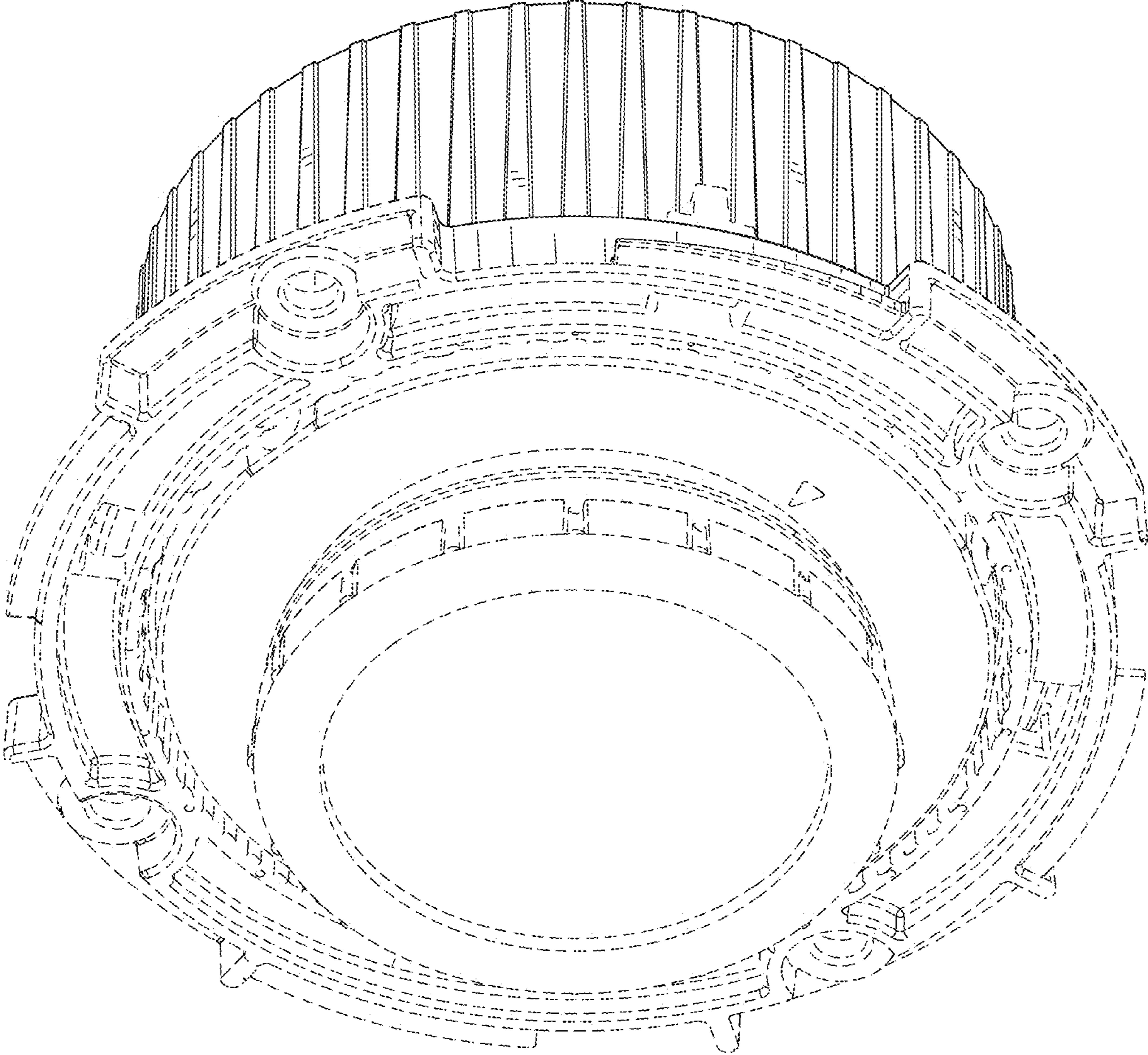


FIG. 2

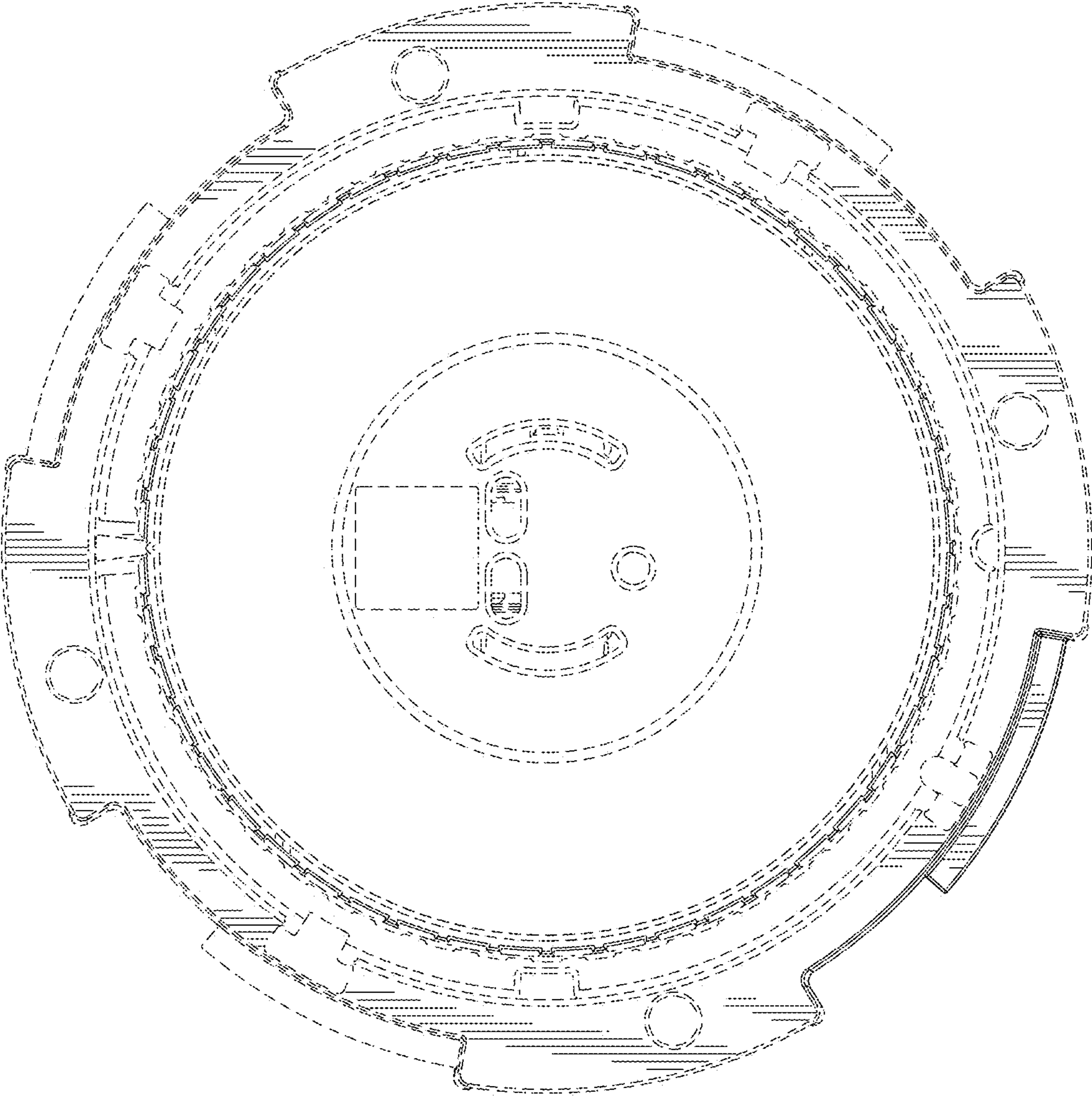


FIG. 3

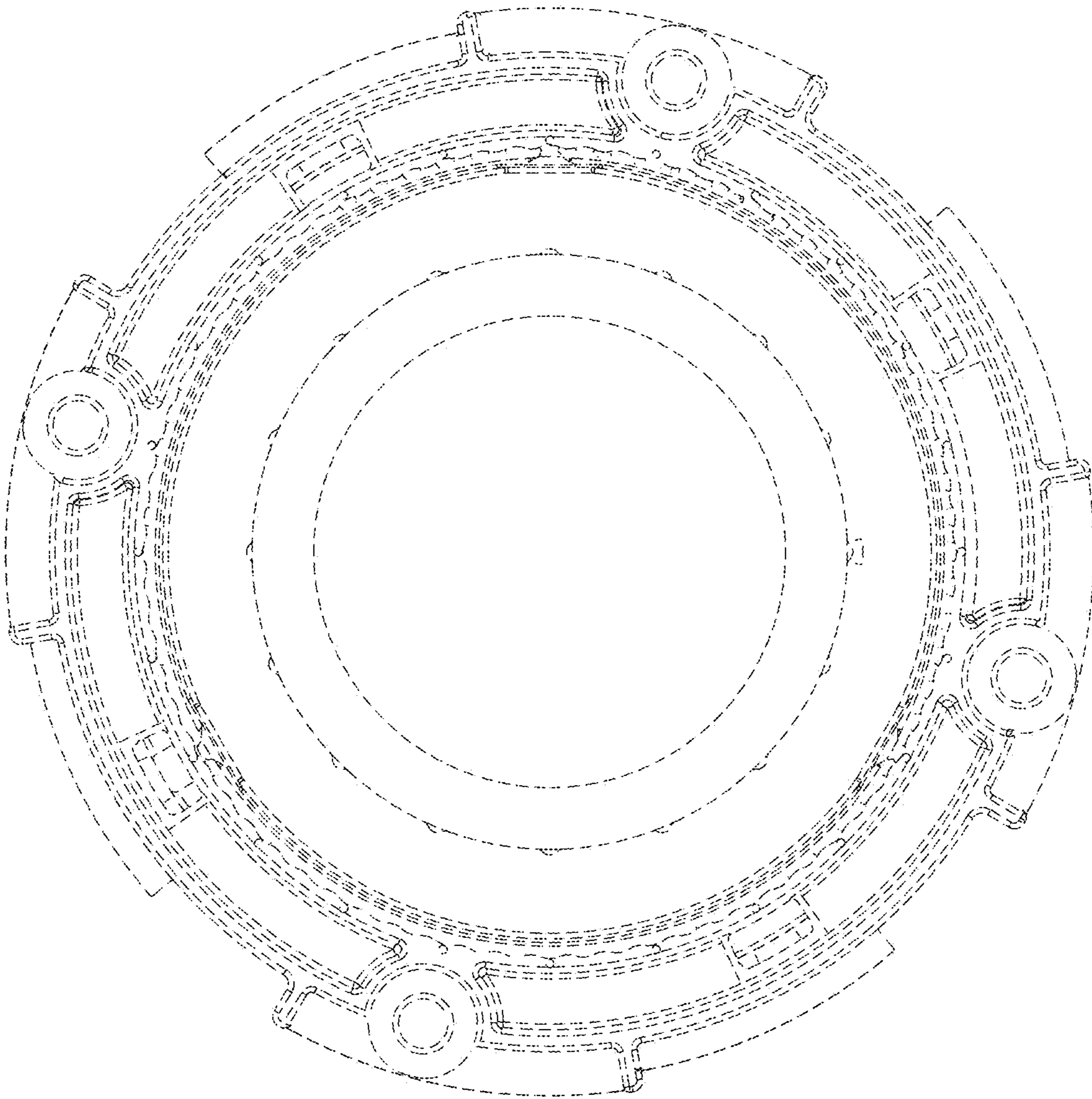


FIG. 4



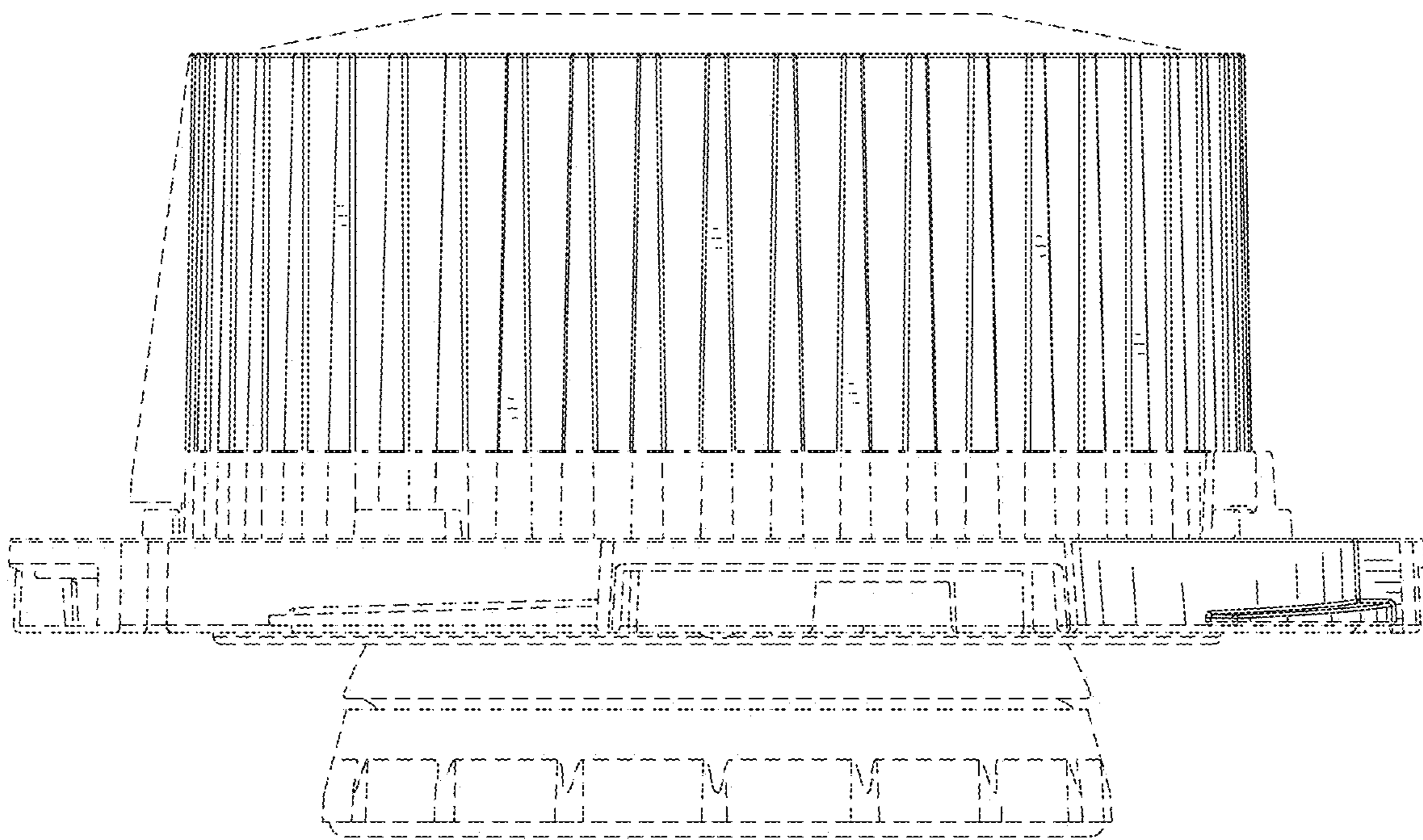


FIG. 5

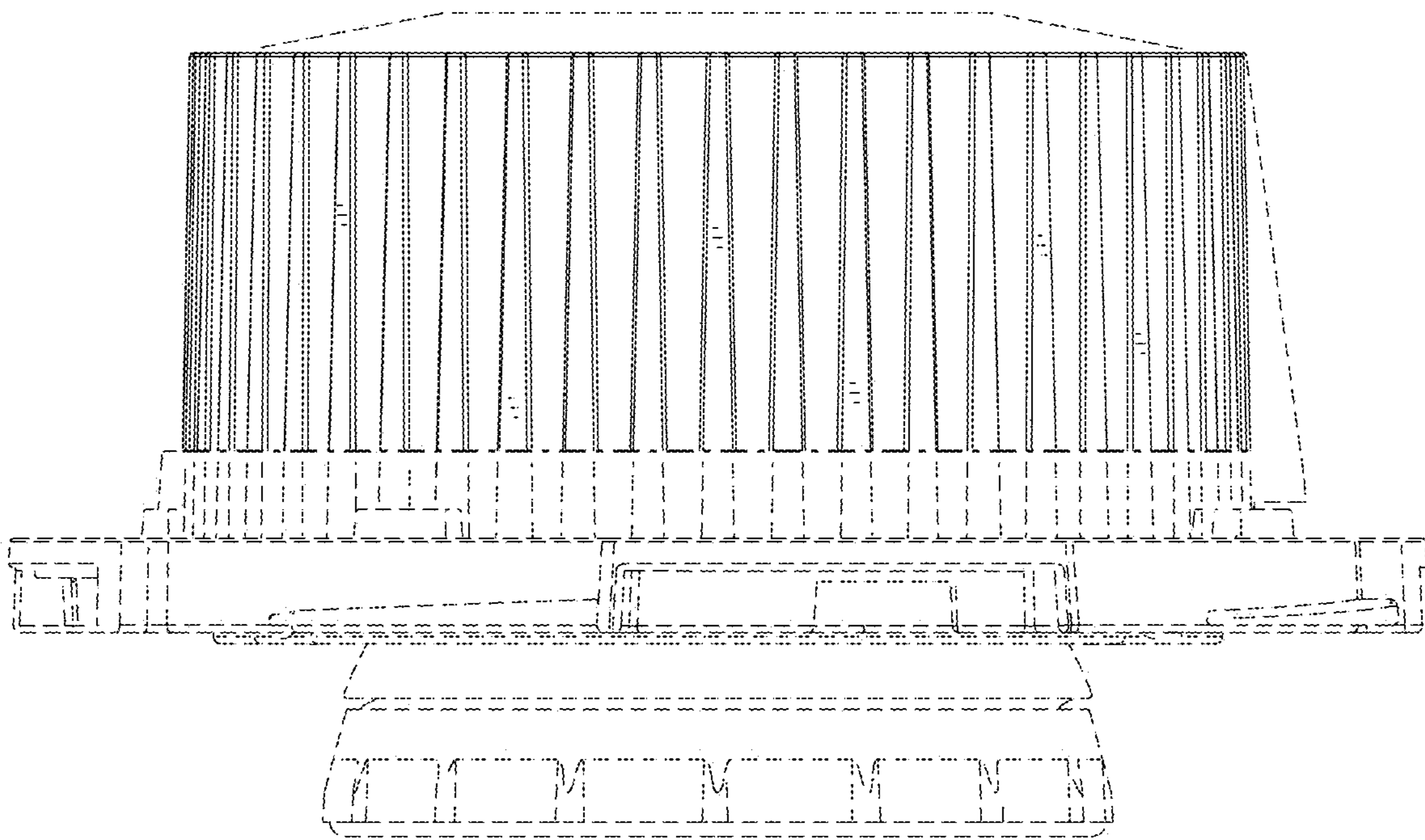


FIG. 6

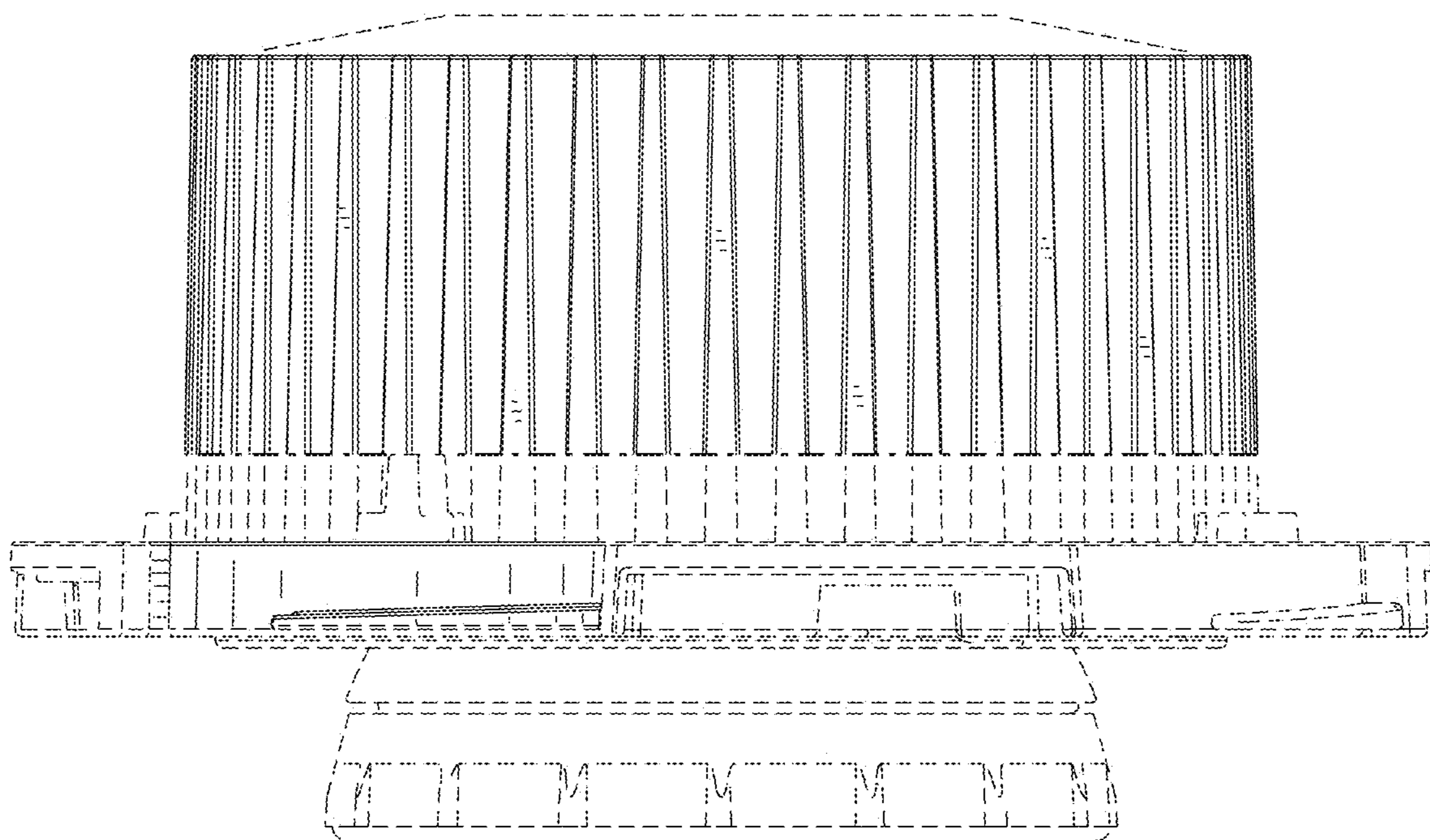


FIG. 7



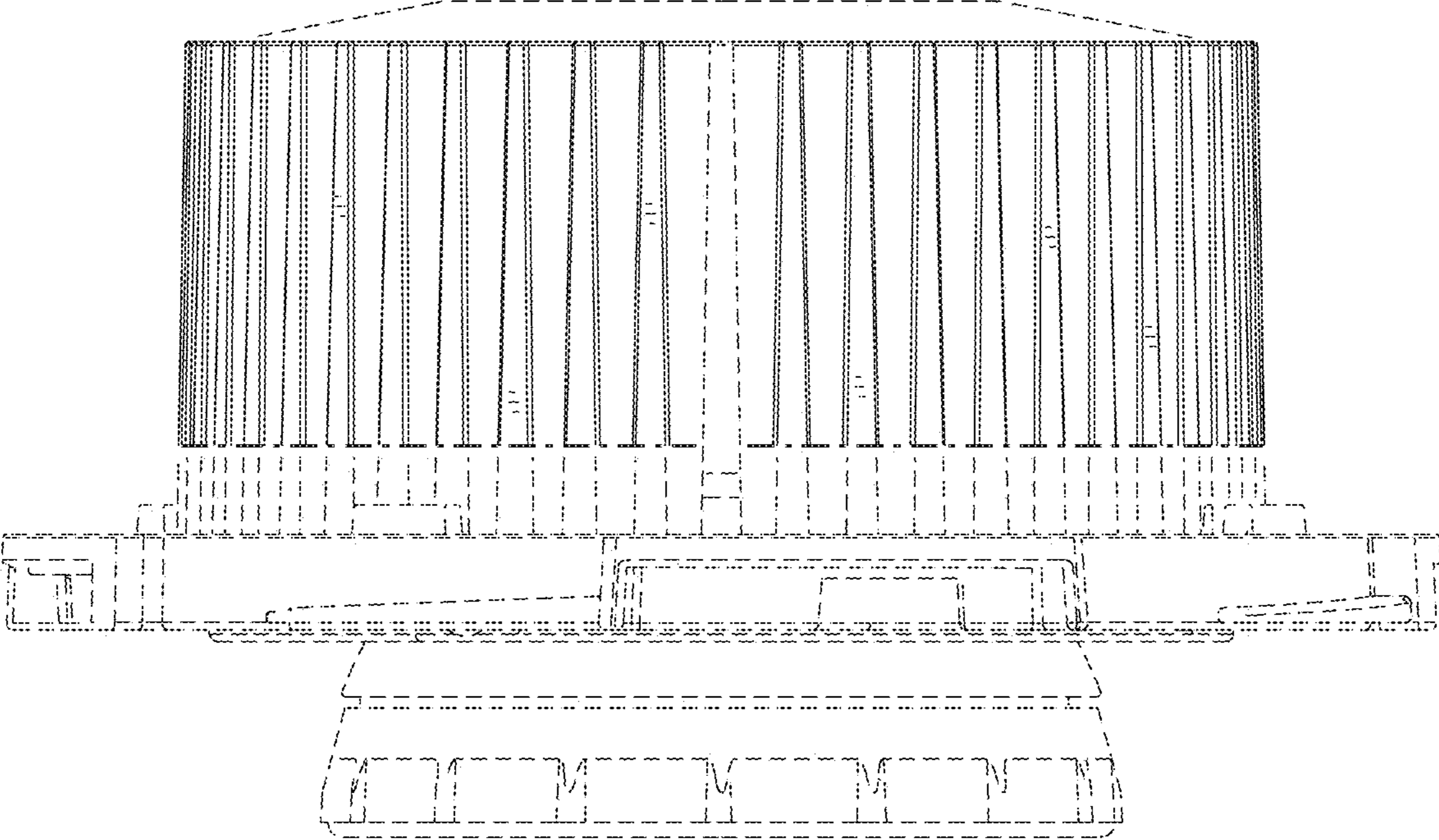


FIG. 8