



US00D877956S

(12) **United States Design Patent**
Wilcox et al.

(10) **Patent No.:** **US D877,956 S**
(45) **Date of Patent:** **** Mar. 10, 2020**

(54) **LUMINAIRE**

- (71) Applicant: **Hubbell Incorporated**, Shelton, CT (US)
- (72) Inventors: **Shawn Wilcox**, Gray Court, SC (US);
Connie Steadman, Taylors, SC (US)
- (73) Assignee: **Hubbell Incorporated**, Shelton, CT (US)
- (**) Term: **15 Years**
- (21) Appl. No.: **29/619,353**
- (22) Filed: **Sep. 28, 2017**
- (51) **LOC (12) Cl.** **26-05**
- (52) **U.S. Cl.**
USPC **D26/74**
- (58) **Field of Classification Search**
USPC D26/24, 74
CPC .. F21S 8/02; F21S 8/026; F21V 21/04; F21V 21/044; F21V 29/78; F21V 7/00; F21Y 2101/00; F21Y 2115/10
See application file for complete search history.

(56) **References Cited**

U.S. PATENT DOCUMENTS

D321,949 S *	11/1991	Miller	D26/24
D591,894 S *	5/2009	Flank	D26/74
D610,280 S *	2/2010	Hua	D26/24
D640,819 S *	6/2011	Pan	D26/74
D646,011 S *	9/2011	Rashidi	D26/74
D656,262 S *	3/2012	Yoshinobu	D26/74
D659,879 S *	5/2012	Rashidi	D26/74
8,215,805 B2	7/2012	Cogliano et al.		
8,226,278 B2	7/2012	Ward et al.		
D667,155 S *	9/2012	Rashidi	D26/74
8,262,255 B1 *	9/2012	Rashidi	F21V 29/505 362/249.02
D669,620 S *	10/2012	Rashidi	D26/74
D681,859 S *	5/2013	Beregszaszi	D26/74

(Continued)

OTHER PUBLICATIONS

“AL—D2LED Prescolite.” Found online Mar. 25, 2019 at www.archlighting.com. Page dated May 1, 2012. Retrieved from URL: https://www.archlighting.com/products/wallwashers/d2led-prescolite_o (Year: 2012).*

(Continued)

Primary Examiner — Mary Ann Calabrese

Assistant Examiner — Katelin G Kloberg

(74) *Attorney, Agent, or Firm* — Michael Best & Friedrich, LLP

(57) **CLAIM**

We claim the ornamental design for a luminaire, as shown and described.

DESCRIPTION

FIG. 1 is a first perspective view of a luminaire according to a new design.

FIG. 2 is a second perspective view of the luminaire of FIG. 1.

FIG. 3 is a third perspective view of the luminaire of FIG. 1.

FIG. 4 is a first side elevation view of the luminaire of FIG. 1.

FIG. 5 is a second side elevation view of the luminaire of FIG. 1.

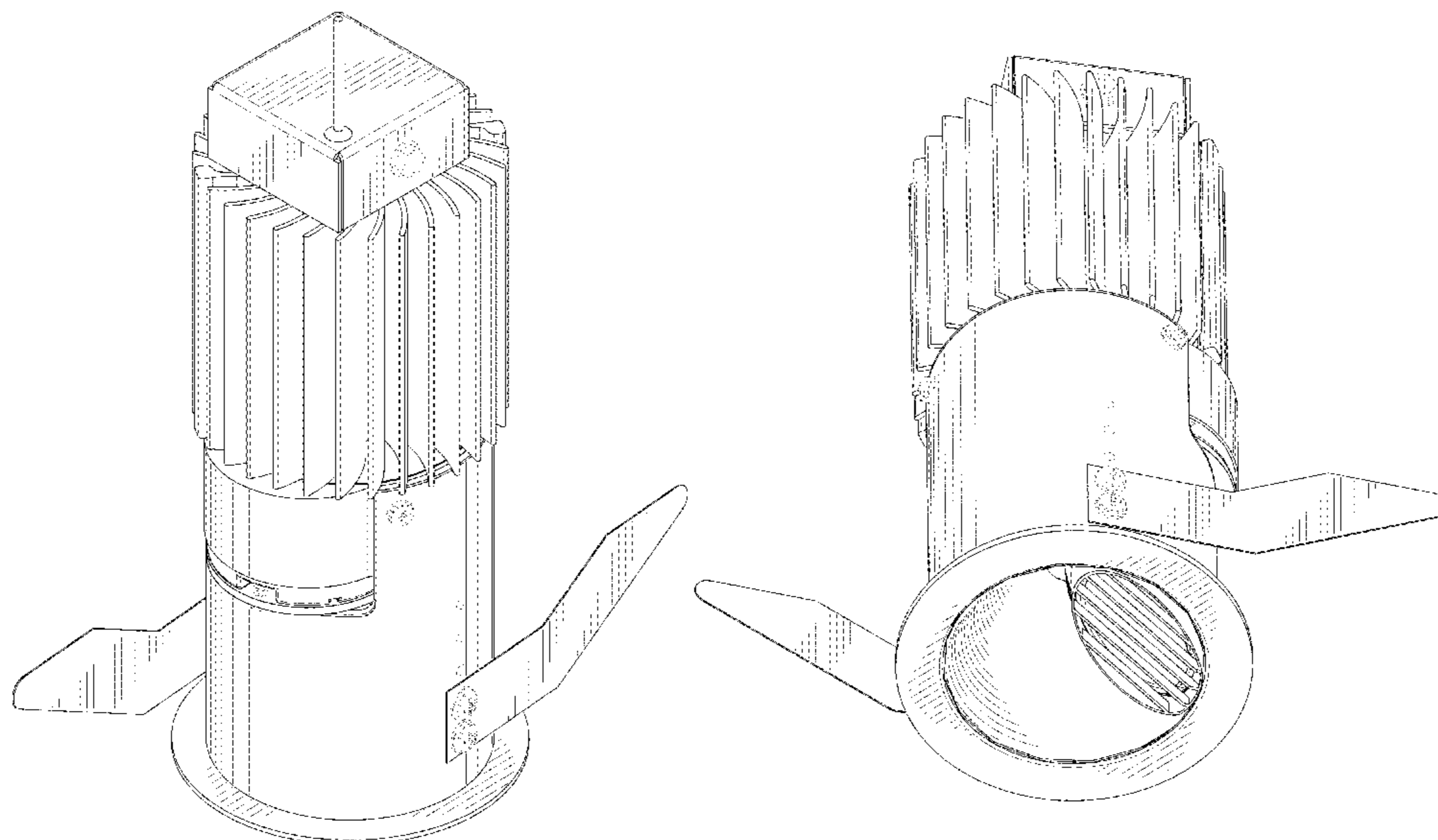
FIG. 6 is a third side elevation view of the luminaire of FIG. 1.

FIG. 7 is a fourth side elevation view of the luminaire of FIG. 1.

FIG. 8 is a top plan view of the luminaire of FIG. 1; and, FIG. 9 is a bottom plan view of the luminaire of FIG. 1.

The elements shown in broken lines are included for the purpose of illustrating portions of the luminaire that form no part of the claimed design.

1 Claim, 9 Drawing Sheets



(56)

References Cited

U.S. PATENT DOCUMENTS

D690,864 S * 10/2013 Rashidi D26/74
 D691,315 S * 10/2013 Samson D26/74
 D692,172 S * 10/2013 Rashidi D26/74
 D696,448 S * 12/2013 Huh D26/74
 D697,651 S * 1/2014 Carpenter D26/74
 D698,067 S * 1/2014 Rashidi D26/74
 D710,047 S * 7/2014 Hildebrandt D26/74
 8,770,779 B2 7/2014 Steadman et al.
 D726,360 S * 4/2015 Messiaen D26/74
 D726,949 S * 4/2015 Redfern D26/74
 9,243,786 B1 * 1/2016 Onda F21V 21/14
 D768,326 S * 10/2016 Guzzini D26/74
 9,488,350 B2 11/2016 Wilcox
 D777,967 S * 1/2017 Redfern D26/74
 D786,472 S * 5/2017 Redfern D26/74
 D809,176 S * 1/2018 Partington D26/74
 D810,345 S * 2/2018 Redfern D26/74
 D827,903 S * 9/2018 Wu D26/74
 D831,256 S * 10/2018 Partington D26/74
 D841,217 S * 2/2019 Rybol D26/74
 D845,539 S * 4/2019 Deng D26/149

2009/0296414 A1* 12/2009 Moriyama F21S 8/026
 362/373
 2010/0002453 A1* 1/2010 Wu F21V 3/00
 362/373
 2012/0287616 A1* 11/2012 Wilcox F21S 8/026
 362/198
 2013/0322084 A1* 12/2013 Ebisawa F21V 21/04
 362/269
 2014/0003039 A1* 1/2014 Steadman F21S 8/02
 362/147
 2019/0154238 A1* 5/2019 Wilcox F21V 14/04

OTHER PUBLICATIONS

Acuity Brands Lighting, Inc., Gotham Incito 2" Adjustable/Lensed Adjustable Brochure, 2015 (2 pages).
 Lucifer Lighting Company, DL8ZP (LEDX) Recessed LED Downlight Brochure, Jan. 7, 2014 (4 pages).
 ConTech Lighting, R2ARM 2" LED Adjustable Recessed Downlight Specifications/Features, available on or before Sep. 27, 2017 (4 pages).
 ConTech Lighting, 2" Adjustable Downlight Series: R2A Installation instructions, available on or before Sep. 27, 2017 (2 pages).

* cited by examiner

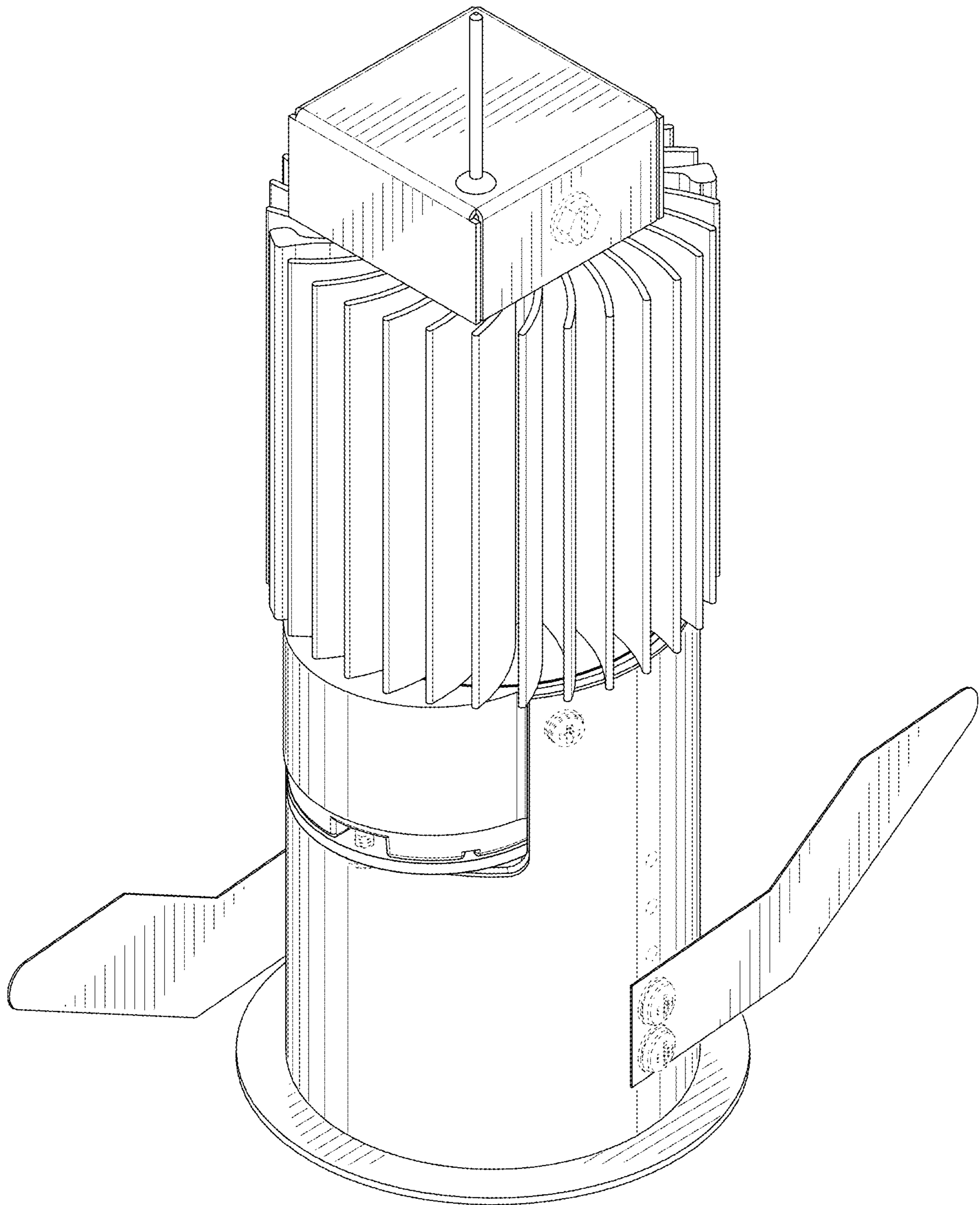


FIG. 1

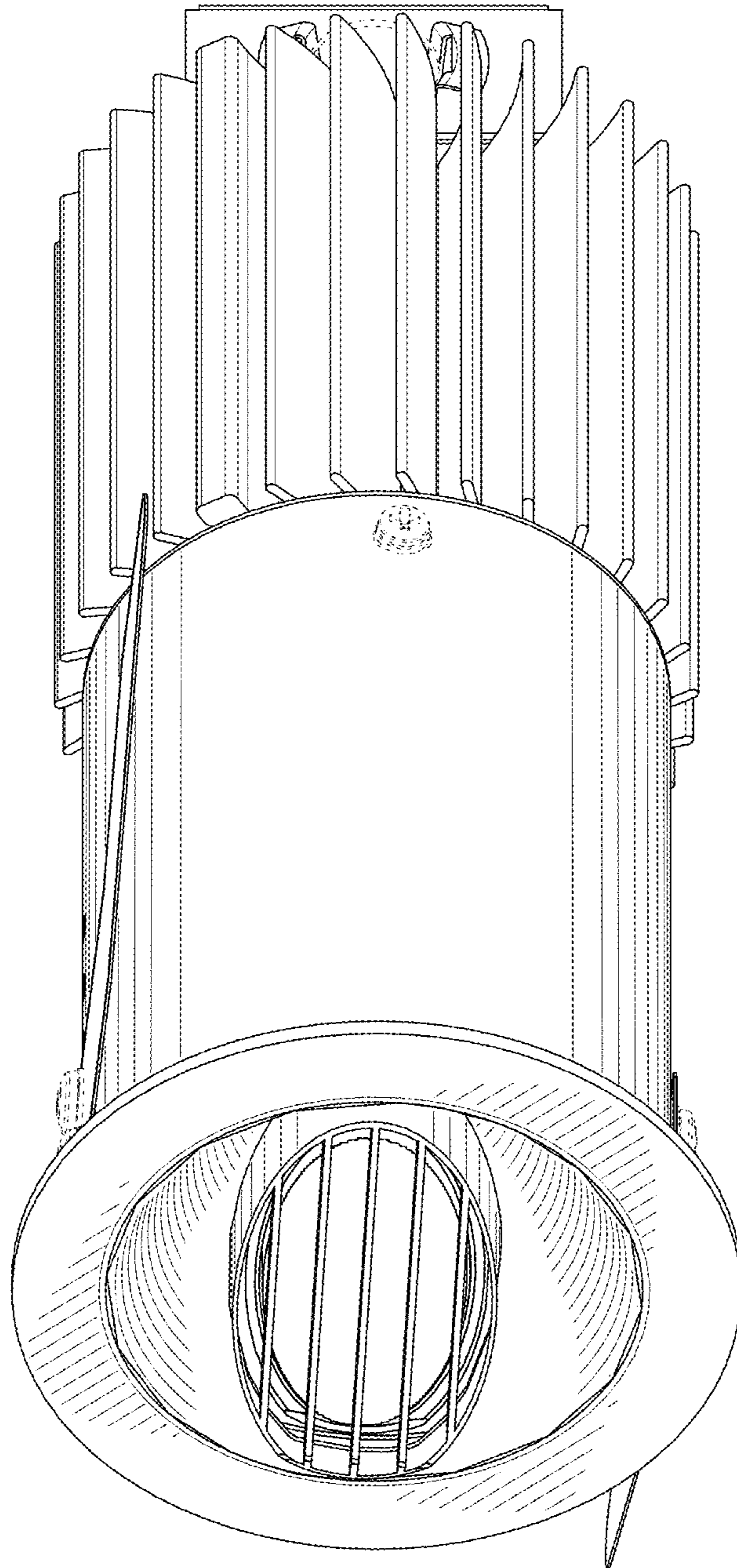


FIG. 2

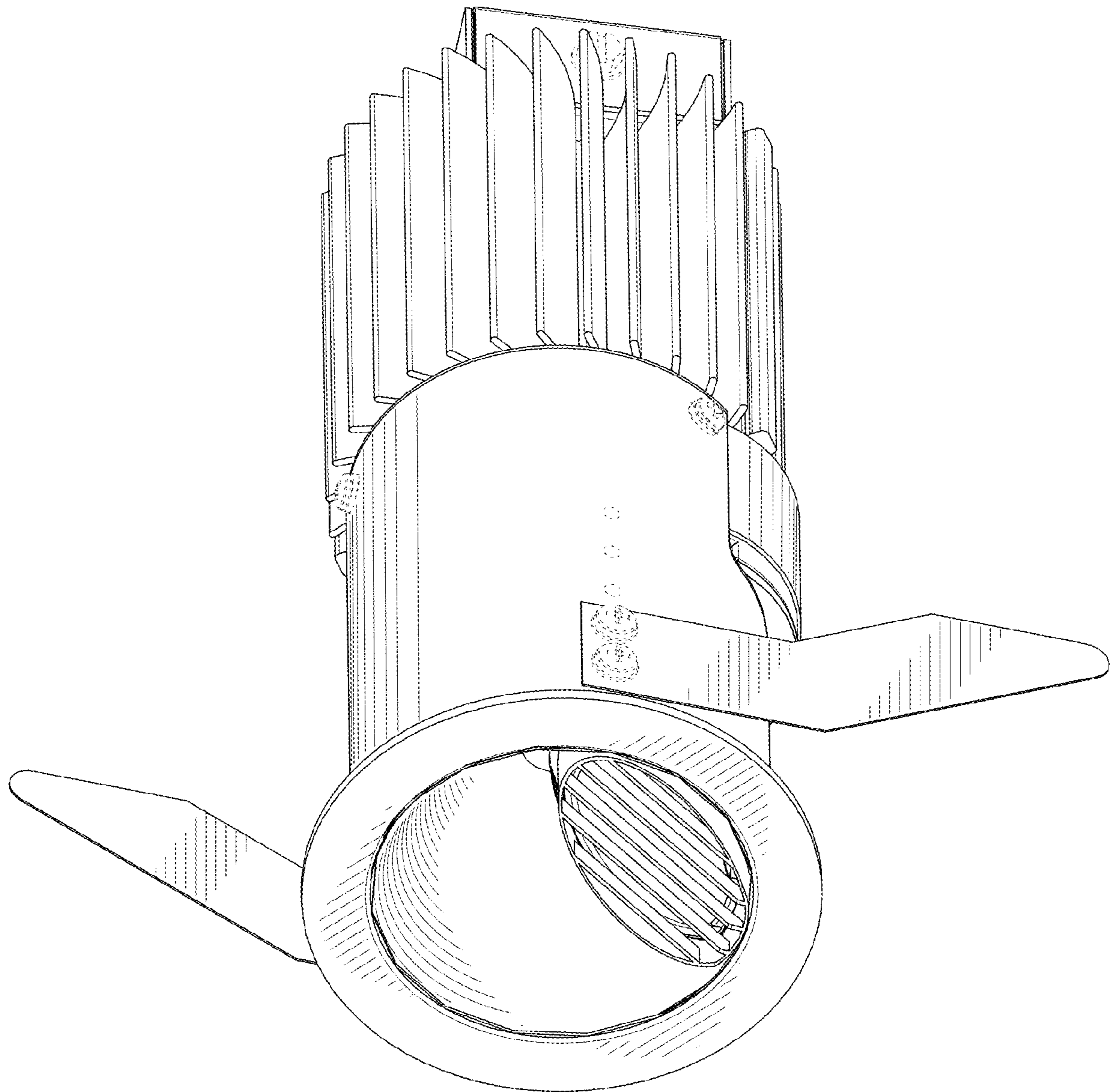


FIG. 3

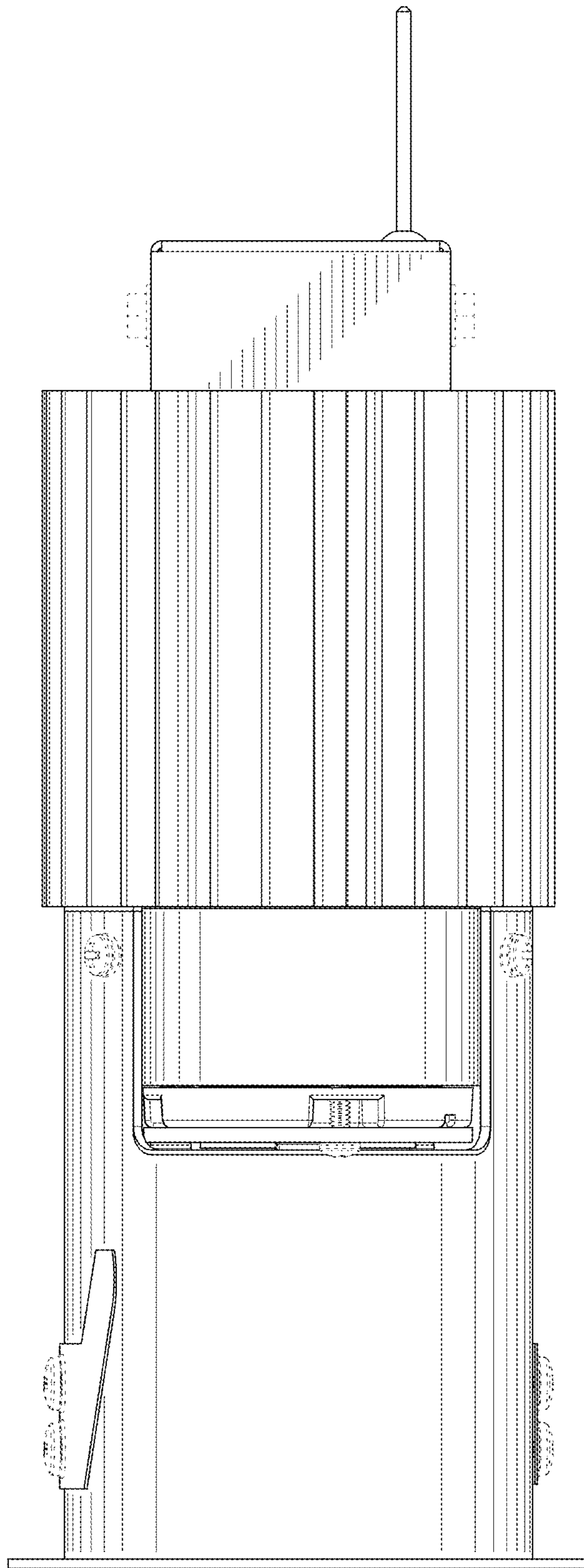


FIG. 4

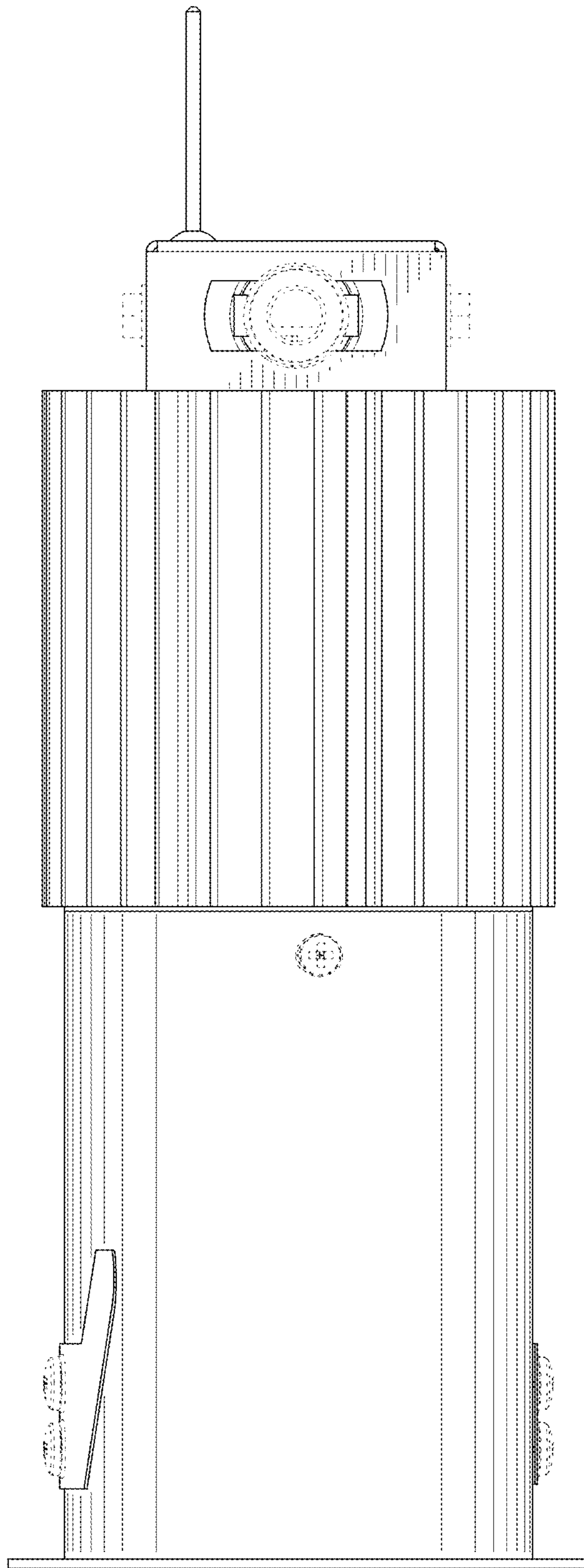


FIG. 5

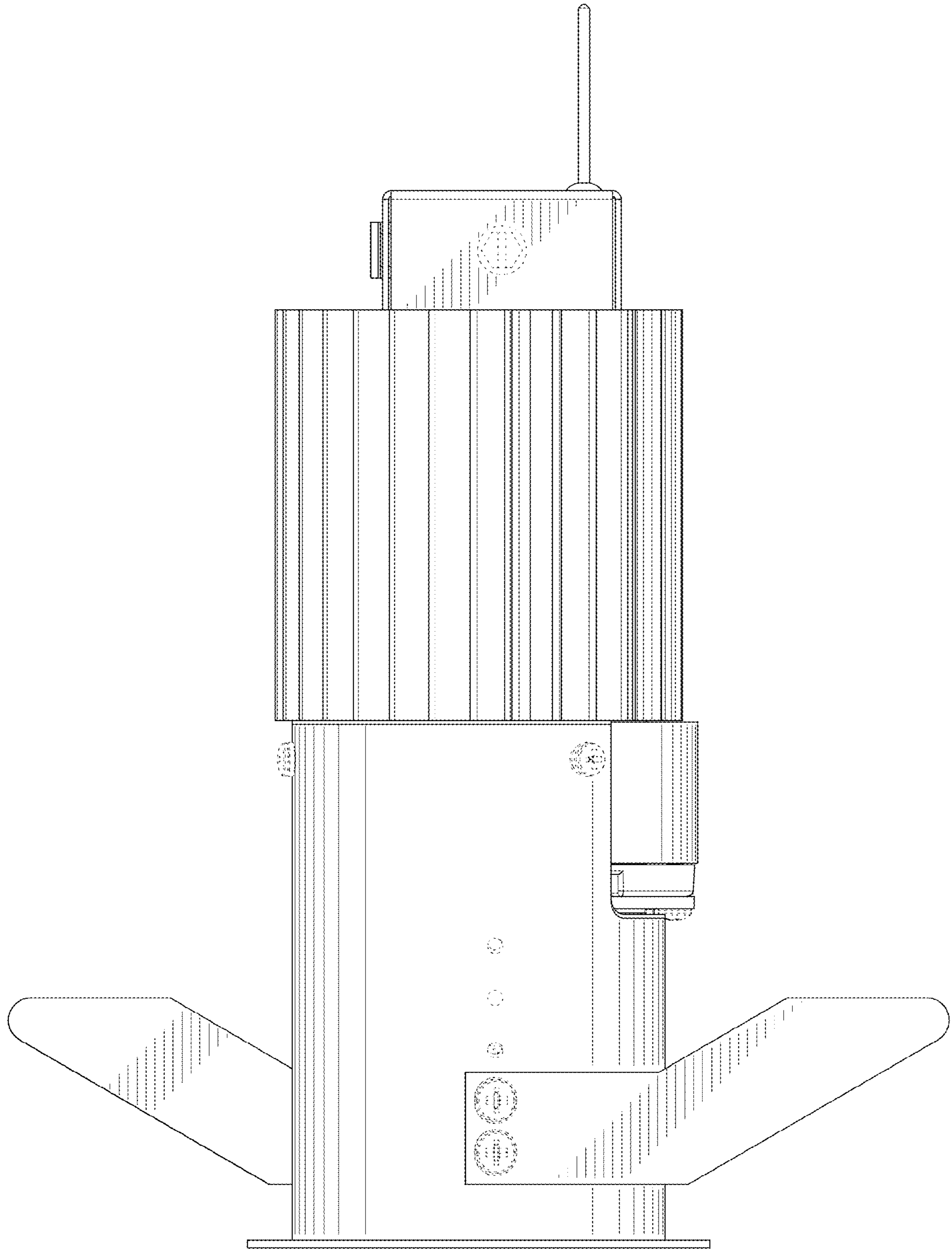


FIG. 6

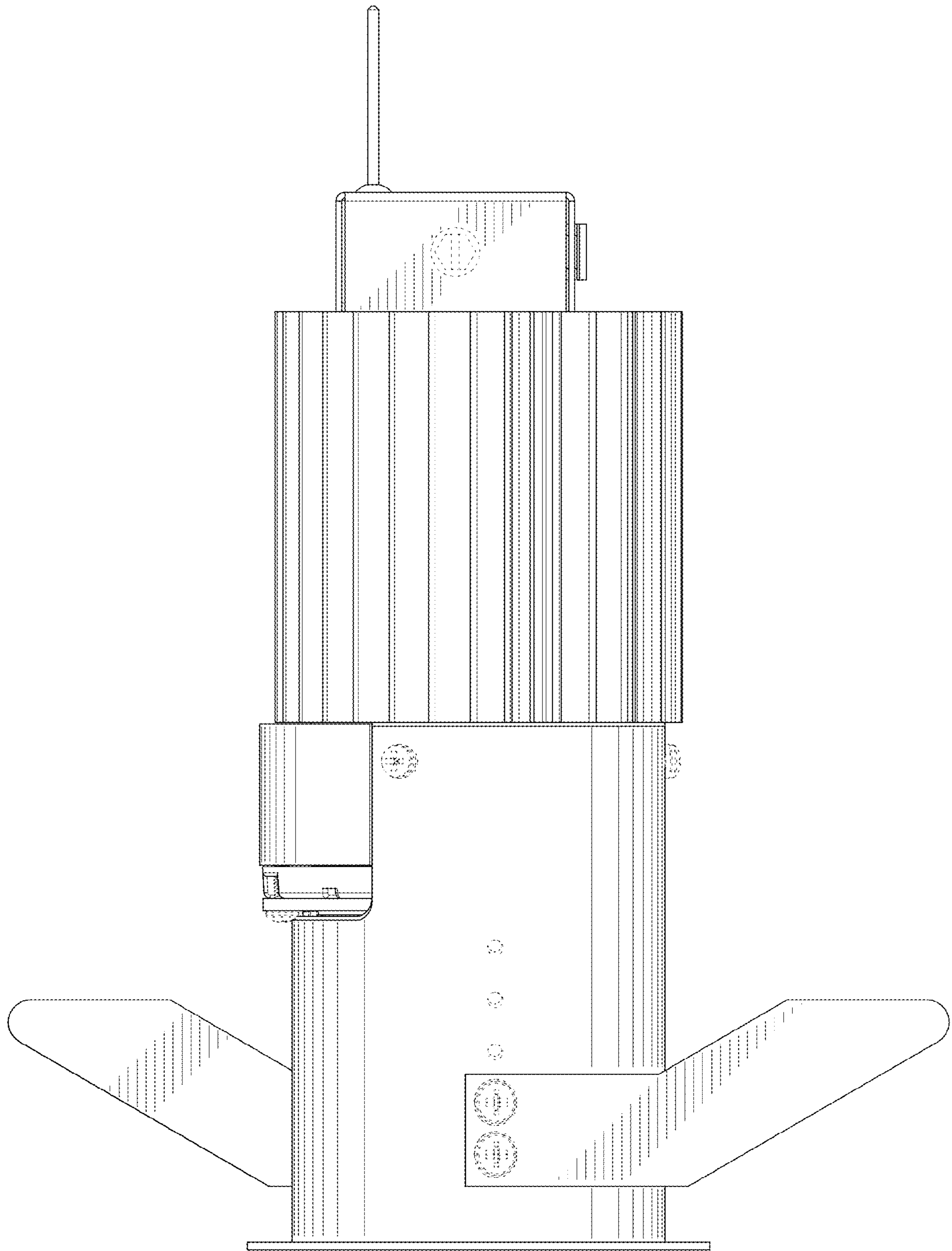


FIG. 7

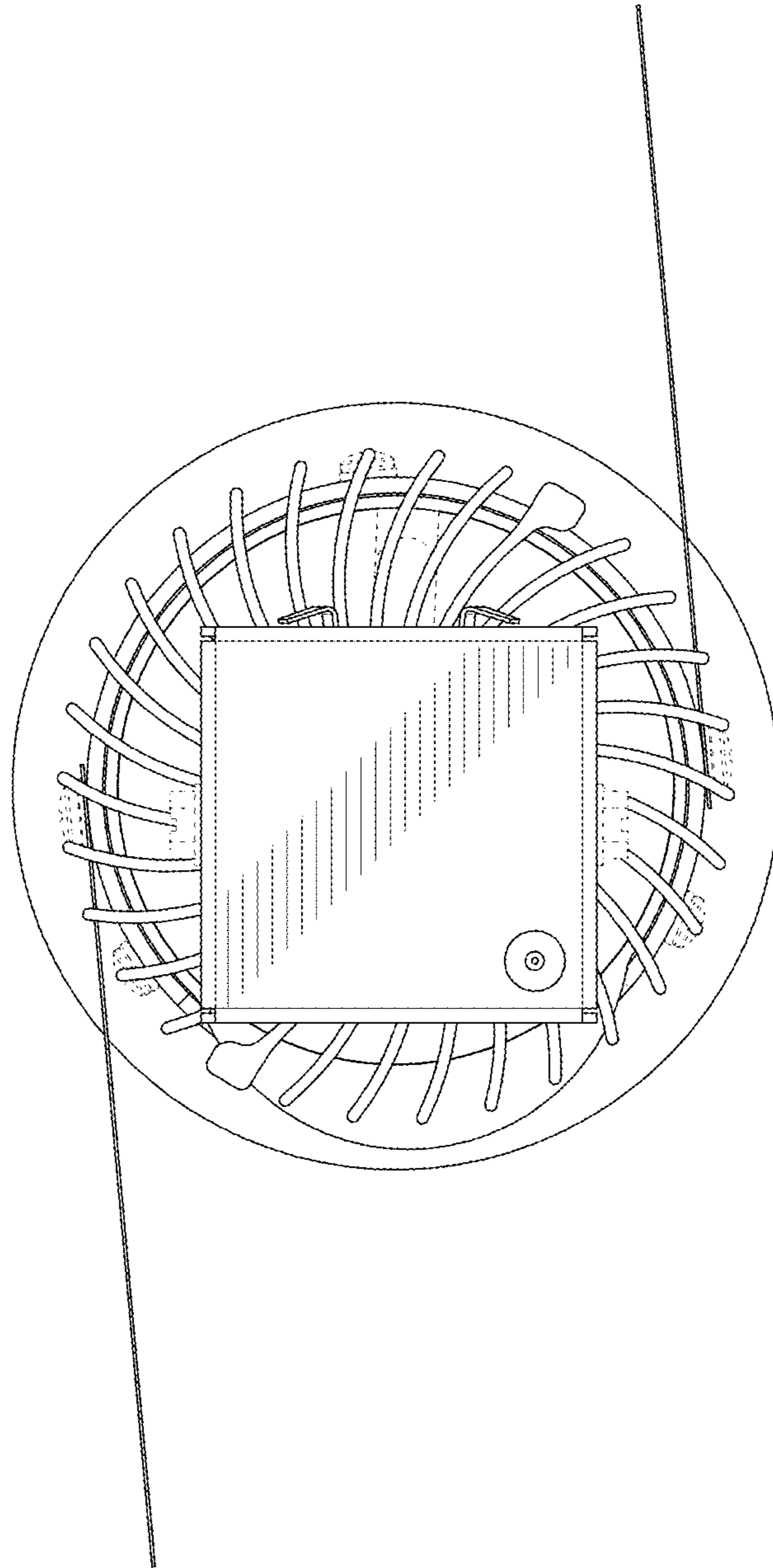


FIG. 8

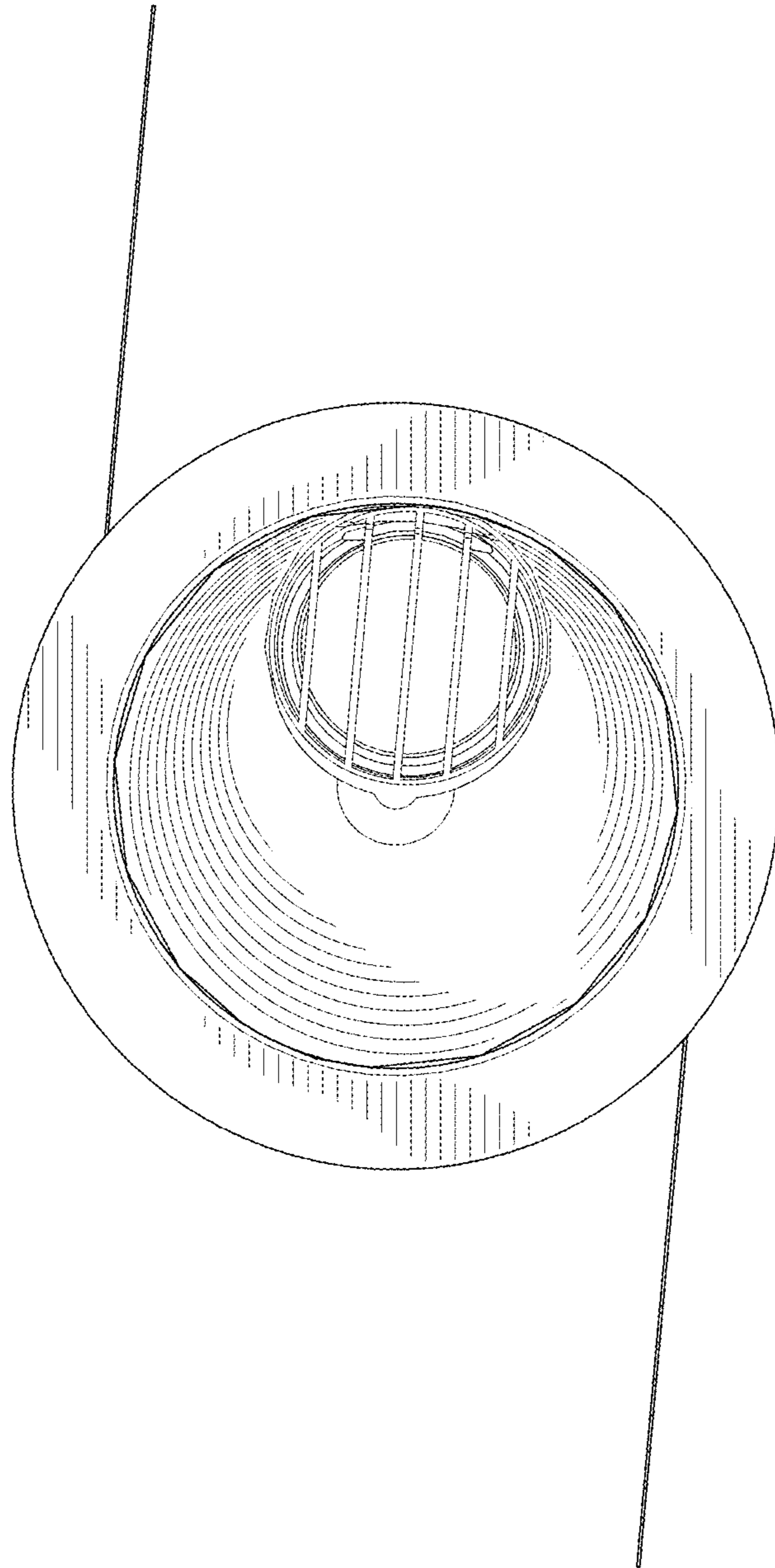


FIG. 9