



US00D877955S

(12) **United States Design Patent**
Santoro et al.

(10) **Patent No.:** **US D877,955 S**

(45) **Date of Patent:** **** *Mar. 10, 2020**

- (54) **LUMINAIRE**
- (71) Applicant: **Fluxwerx Illumination Inc.**, Surrey (CA)
- (72) Inventors: **Scott Santoro**, Delta (CA); **Lance David Howitt**, Vancouver (CA)
- (73) Assignee: **Lumenpulse Group Inc.**, Longueuil (CA)
- (*) Notice: This patent is subject to a terminal disclaimer.
- (**) Term: **15 Years**
- (21) Appl. No.: **29/592,213**
- (22) Filed: **Jan. 27, 2017**
- (51) **LOC (12) Cl.** **26-05**
- (52) **U.S. Cl.**
USPC **D26/74**
- (58) **Field of Classification Search**
USPC D26/74, 72, 75, 76, 77, 78, 85, 88, 89, D26/118, 138, 141; 362/364, 365, 373, 362/145, 146, 147, 148, 150, 153, 153.1, 362/294, 296.01, 296.07, 296.08
See application file for complete search history.

D740,479 S *	10/2015	Beno	D26/118
D756,022 S *	5/2016	Shipman	D26/113
D790,746 S *	6/2017	Ferrier	D26/74
D791,998 S *	7/2017	Lonsdale	D26/76
D799,107 S *	10/2017	Sonneman	D26/138
D806,938 S *	1/2018	Sonneman	D26/138
D808,566 S *	1/2018	Goetz-Schaefer	D26/76
D813,443 S *	3/2018	Matteson	D26/138
D815,333 S *	4/2018	Santoro	D26/90

* cited by examiner

Primary Examiner — Angela J Lee

(74) *Attorney, Agent, or Firm* — Oyen Wiggs Green & Mutala LLP

(57) **CLAIM**

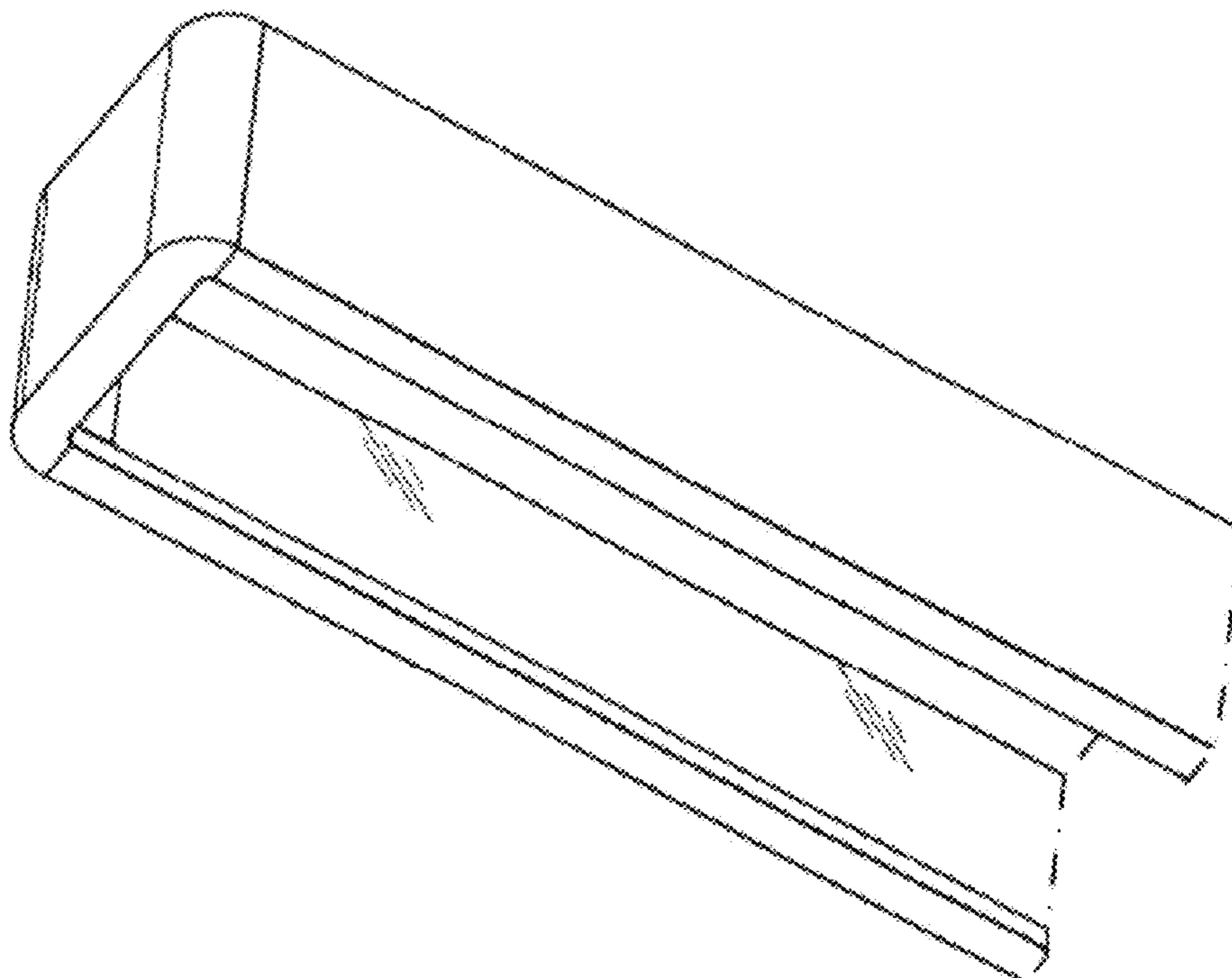
The ornamental design for a luminaire, as shown and described.

DESCRIPTION

FIG. 1 is a perspective view of a luminaire, showing our new design;
 FIG. 2 is a top view thereof;
 FIG. 3 is a left view thereof; the right view being a mirror image thereof;
 FIG. 4 is a front view thereof; and,
 FIG. 5 is a bottom view thereof.
 The dash-dot broken line is included in FIGS. 1, 2, 3 and 5 to show a boundary of the luminaire that forms no part of the claimed design. The broken lines shown in FIG. 2 represent portions of the luminaire that form no part of the claimed design.

1 Claim, 1 Drawing Sheet

- (56) **References Cited**
U.S. PATENT DOCUMENTS
D329,299 S * 9/1992 Cole, Jr. D26/74
D473,670 S * 4/2003 Kelmelis D26/74
D629,553 S * 12/2010 Gielen D26/76
D731,700 S * 6/2015 Santoro D26/118



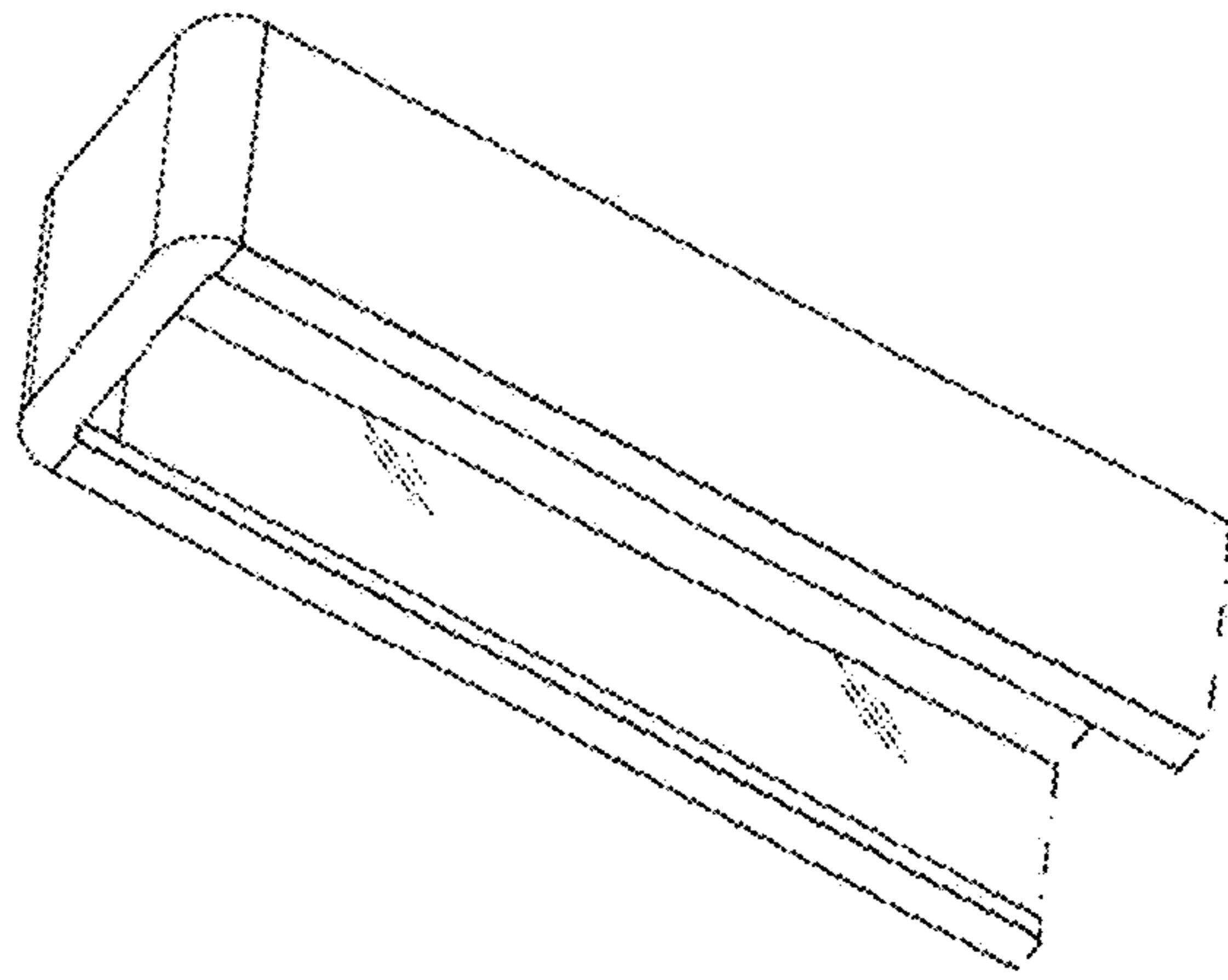


FIG. 1

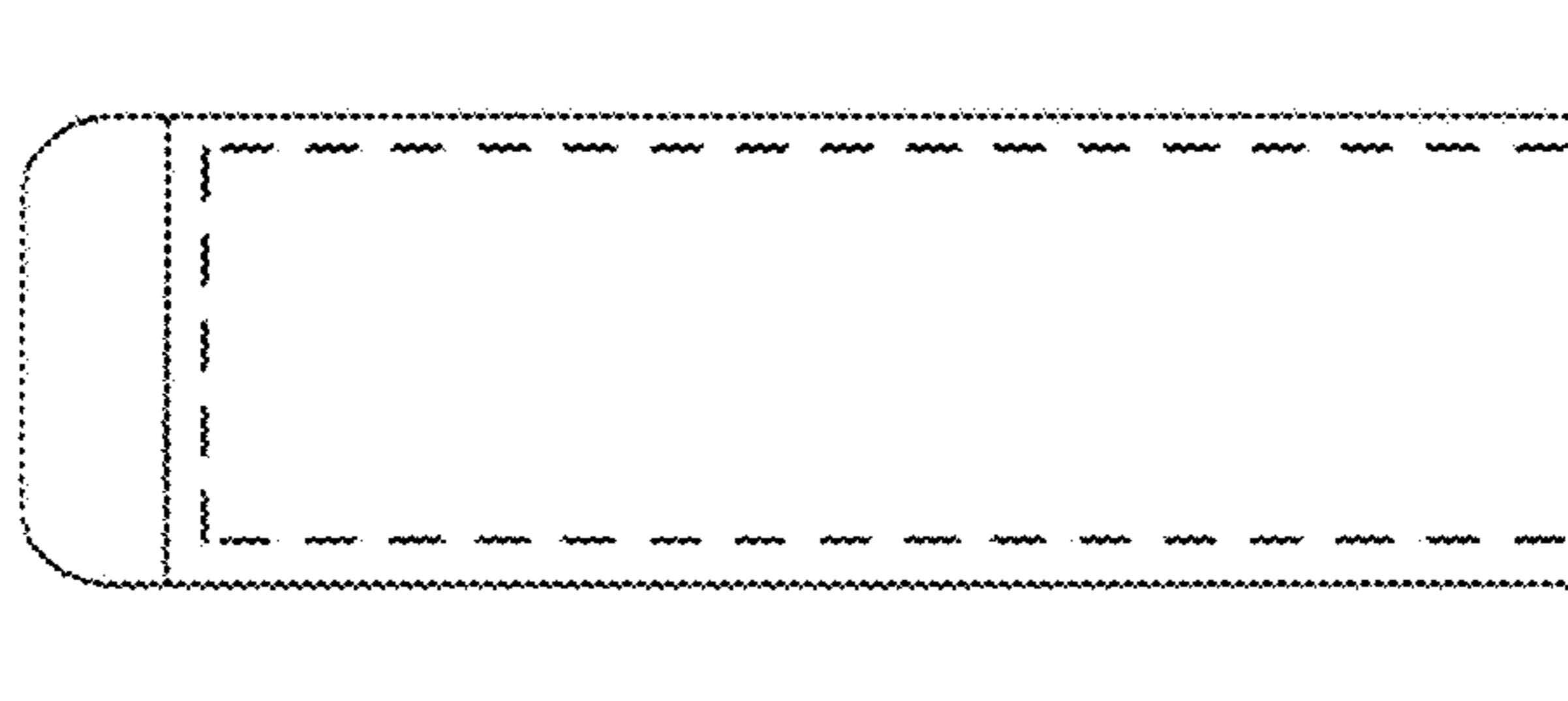


FIG. 2

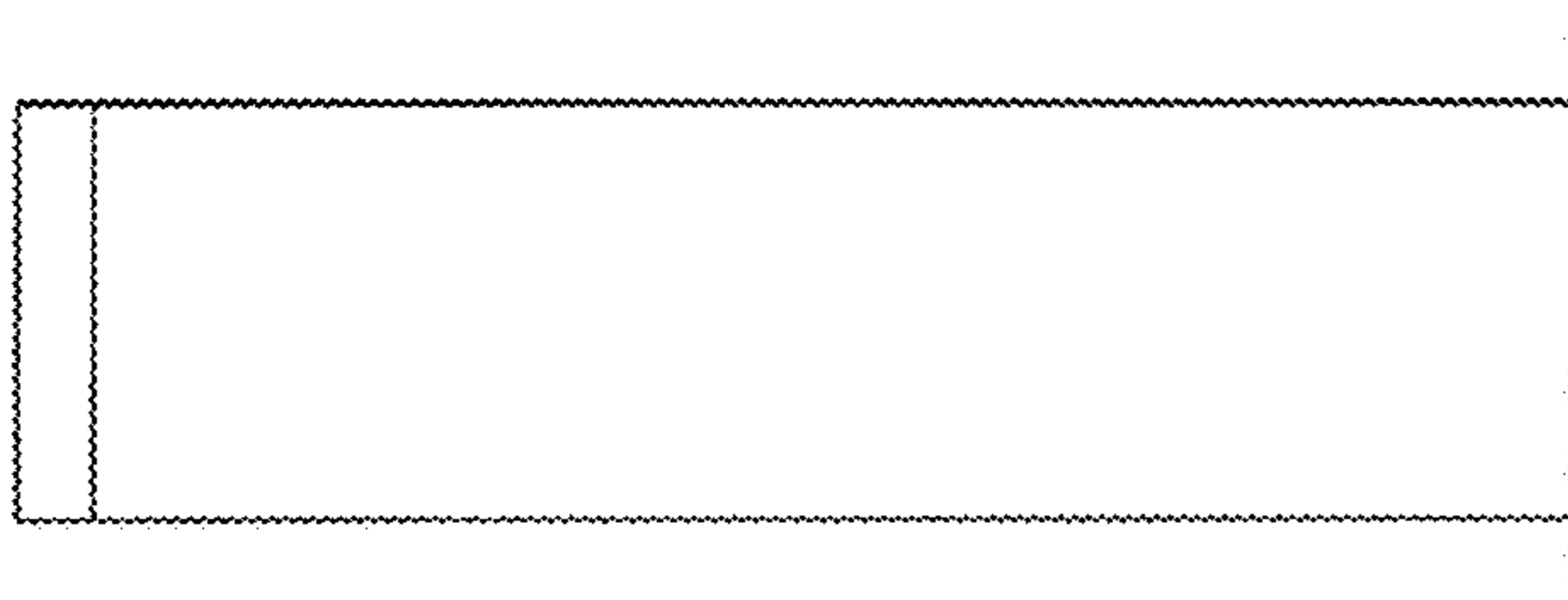


FIG. 3

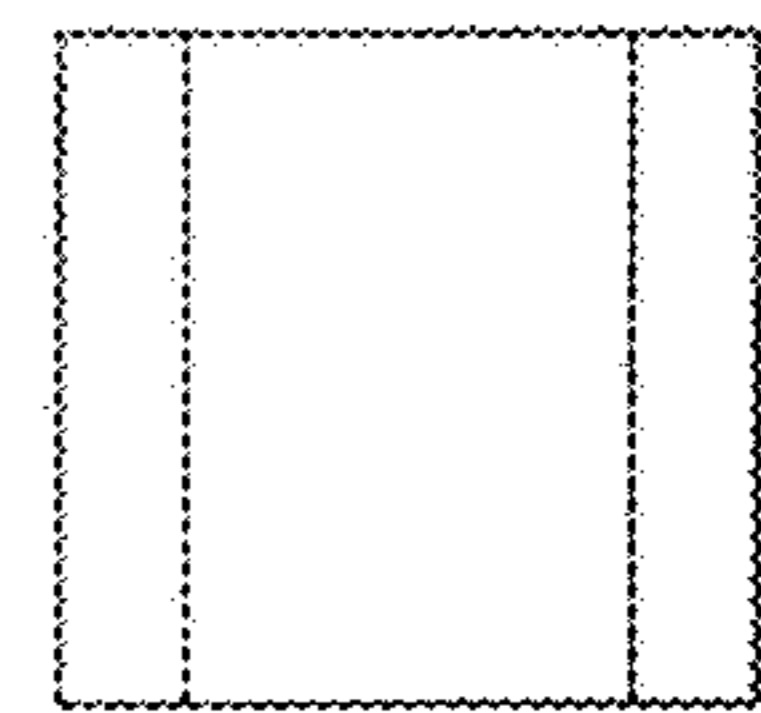


FIG. 4

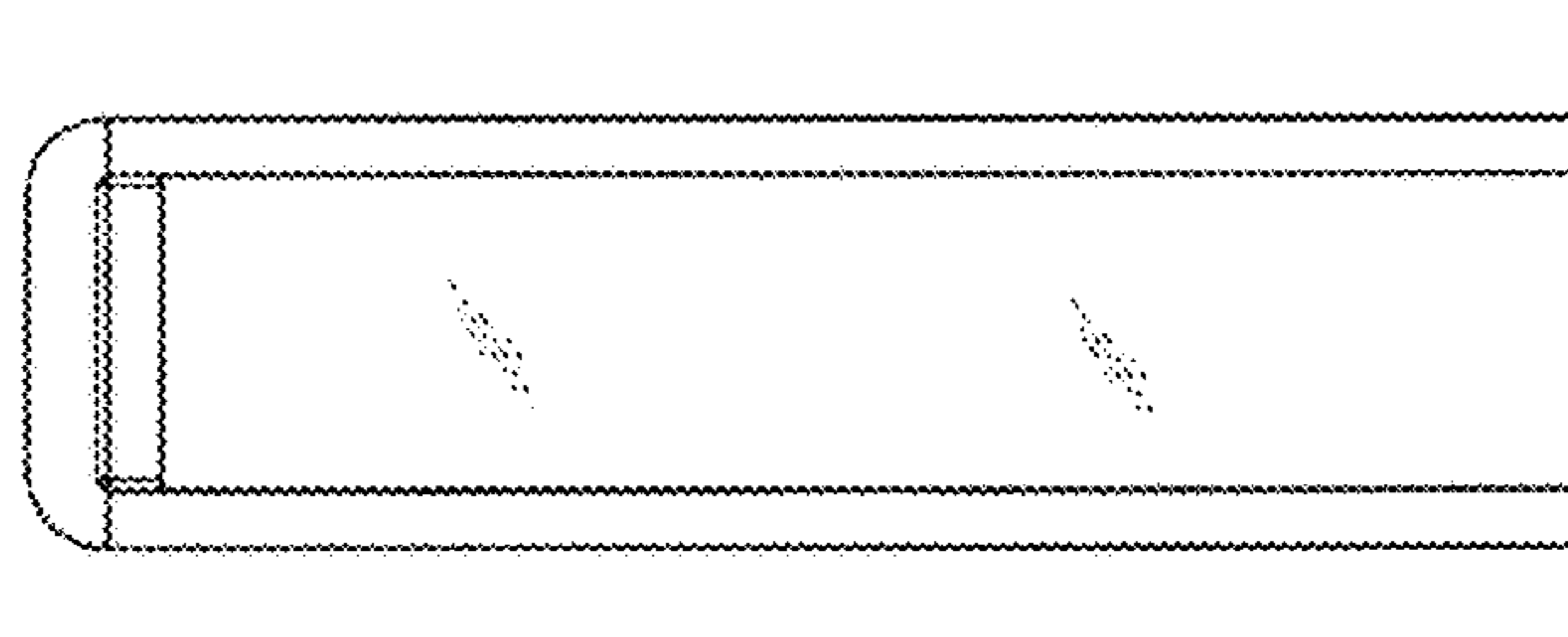


FIG. 5