



US00D877954S

(12) **United States Design Patent**  
**Santoro et al.**

(10) **Patent No.:** **US D877,954 S**

(45) **Date of Patent:** **\*\* \*Mar. 10, 2020**

- (54) **LUMINAIRE**
- (71) Applicant: **Fluxwerx Illumination Inc.**, Surrey (CA)
- (72) Inventors: **Scott Santoro**, Delta (CA); **Lance David Howitt**, Vancouver (CA)
- (73) Assignee: **Lumenpulse Group Inc.**, Longueuil (CA)
- (\*) Notice: This patent is subject to a terminal disclaimer.
- (\*\*) Term: **15 Years**
- (21) Appl. No.: **29/592,201**
- (22) Filed: **Jan. 27, 2017**
- (51) **LOC (12) Cl.** ..... **26-05**
- (52) **U.S. Cl.**  
USPC ..... **D26/74**
- (58) **Field of Classification Search**  
USPC ..... D26/74, 72, 75, 76, 77, 78, 85, 88, 89, D26/118, 138, 141; 362/364, 365, 373, 362/145, 146, 147, 148, 150, 153, 153.1, 362/294, 296.01, 296.07, 296.08  
See application file for complete search history.

D731,700 S *	6/2015	Santoro	.....	D26/118
D740,479 S *	10/2015	Beno	.....	D26/118
D790,746 S *	6/2017	Ferrier	.....	D26/74
D791,998 S *	7/2017	Lonsdale	.....	D26/76
D795,486 S *	8/2017	Goltche	.....	D26/74
D799,107 S *	10/2017	Sonneman	.....	D26/138
D806,938 S *	1/2018	Sonneman	.....	D26/138
D808,566 S *	1/2018	Goetz-Schaefer	.....	D26/76
D813,443 S *	3/2018	Matteson	.....	D26/138

\* cited by examiner

*Primary Examiner* — Angela J Lee

(74) *Attorney, Agent, or Firm* — Oyen Wiggs Green & Mutala LLP

(57) **CLAIM**

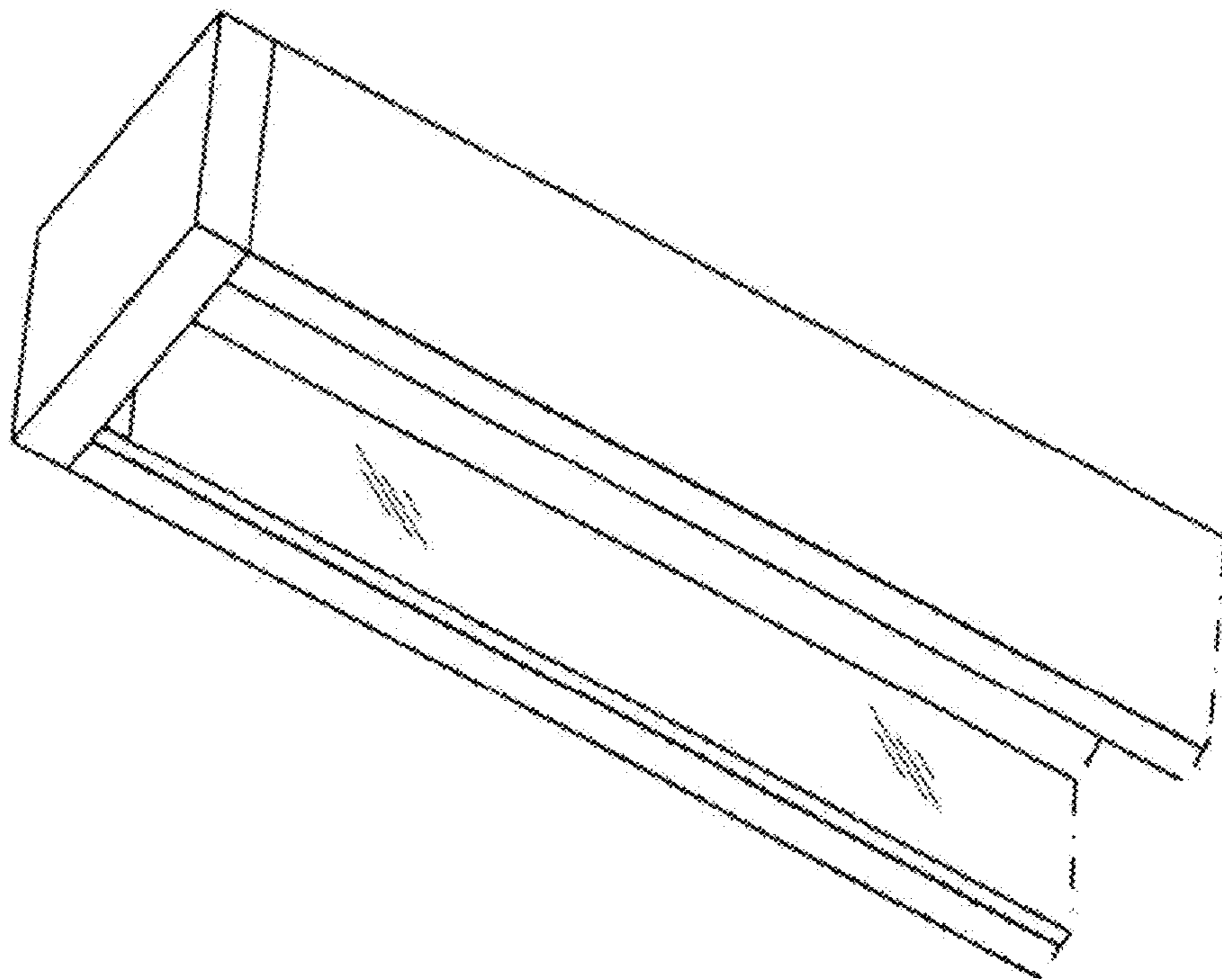
The ornamental design for a luminaire, as shown and described.

**DESCRIPTION**

FIG. 1 is a perspective view of a luminaire, showing our new design;  
 FIG. 2 is a top view thereof;  
 FIG. 3 is a left view thereof; the right view being a mirror image thereof;  
 FIG. 4 is a front view thereof; and,  
 FIG. 5 is a bottom view thereof.  
 The dash-dot broken line is included in FIGS. 1, 2, 3 and 5 to show a boundary of the luminaire that forms no part of the claimed design. The broken lines shown in FIG. 2 represent portions of the luminaire that form no part of the claimed design.

**1 Claim, 1 Drawing Sheet**

- (56) **References Cited**  
U.S. PATENT DOCUMENTS  
D329,299 S \* 9/1992 Cole, Jr. .... D26/74  
D473,670 S \* 4/2003 Kelmelis ..... D26/74  
D614,792 S \* 4/2010 Fabbri ..... D26/120  
D629,553 S \* 12/2010 Gielen ..... D26/76



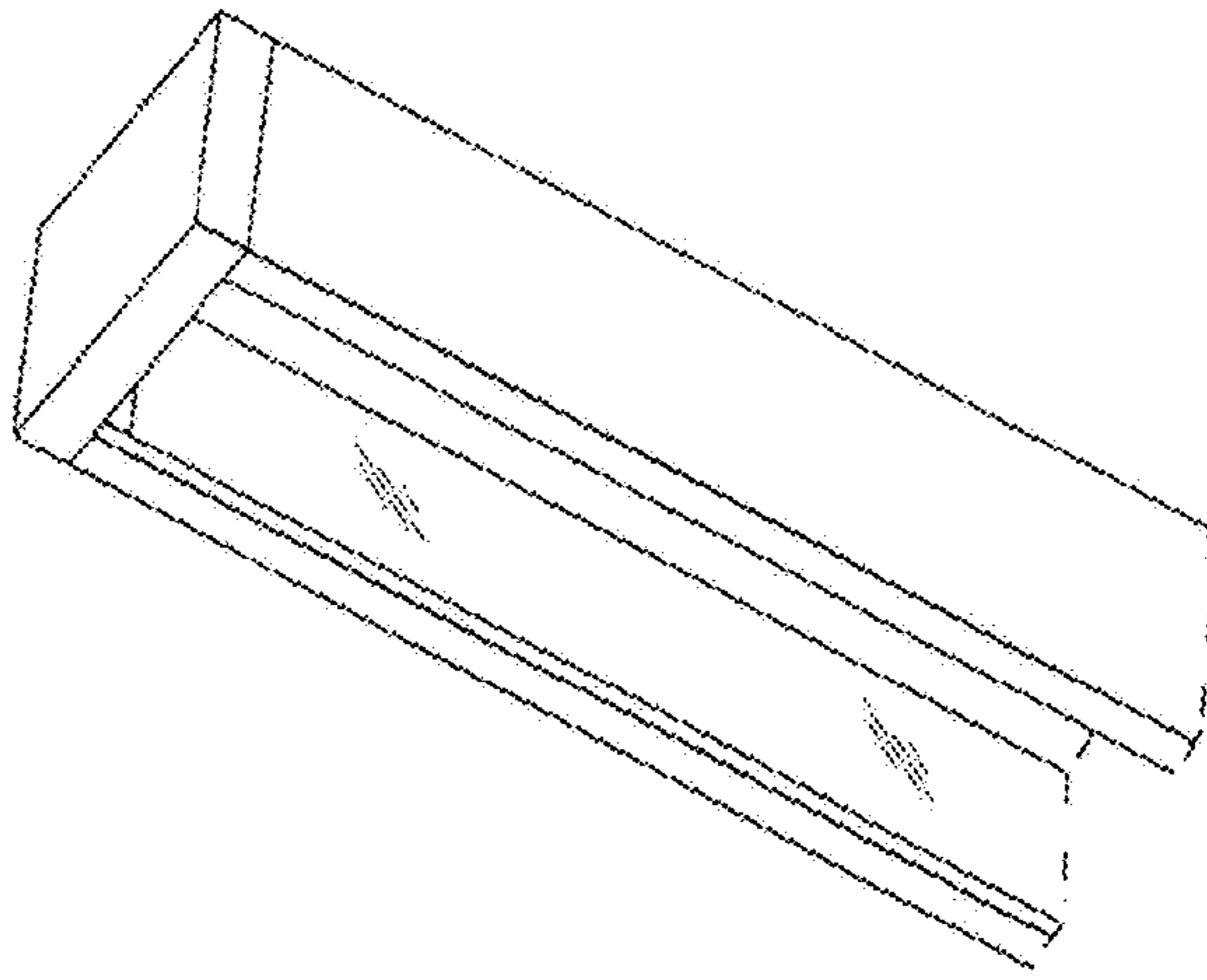


FIG. 1

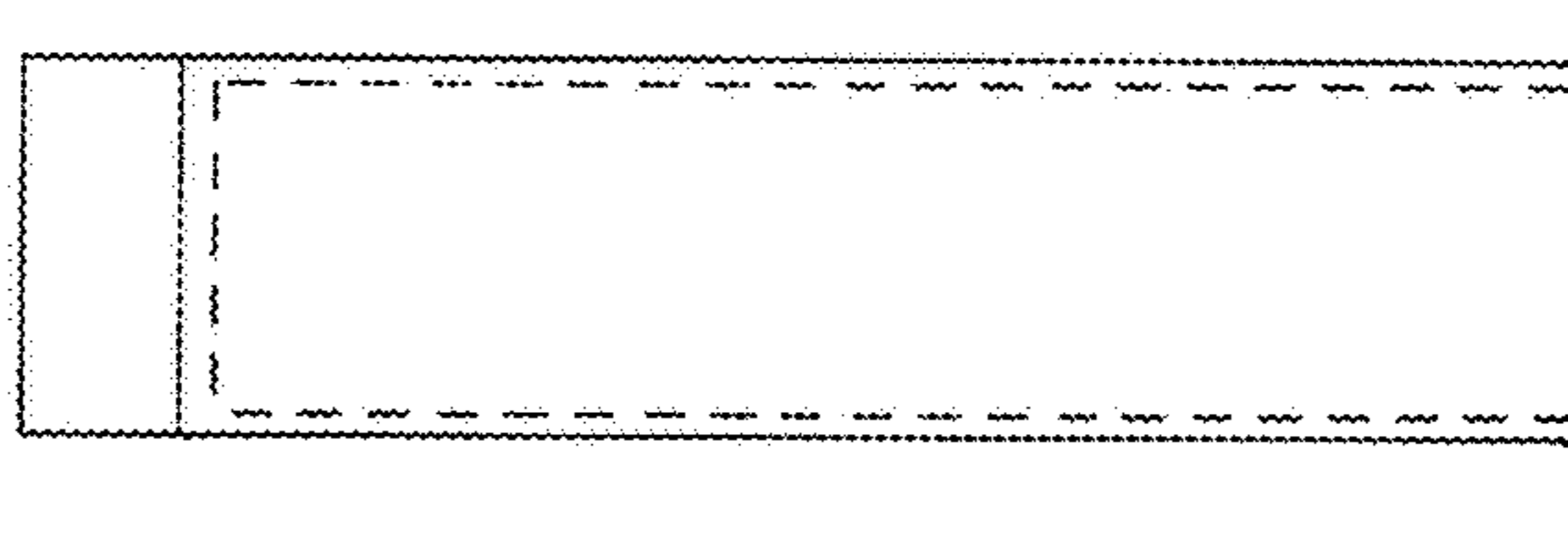


FIG. 2

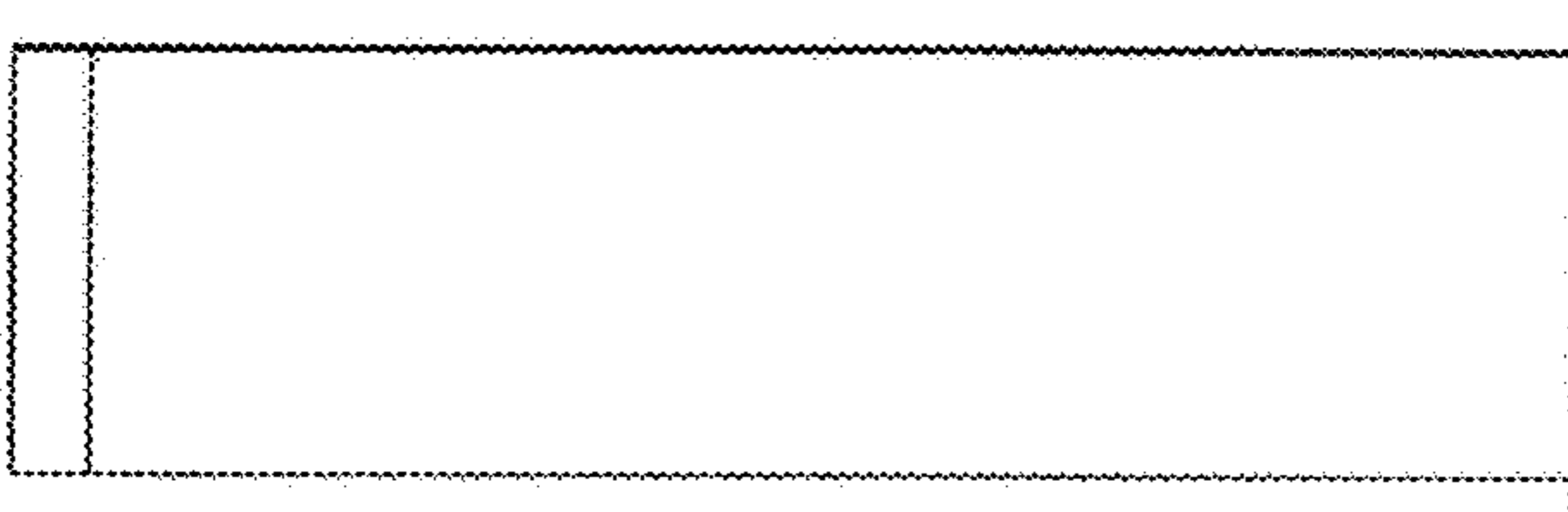


FIG. 3

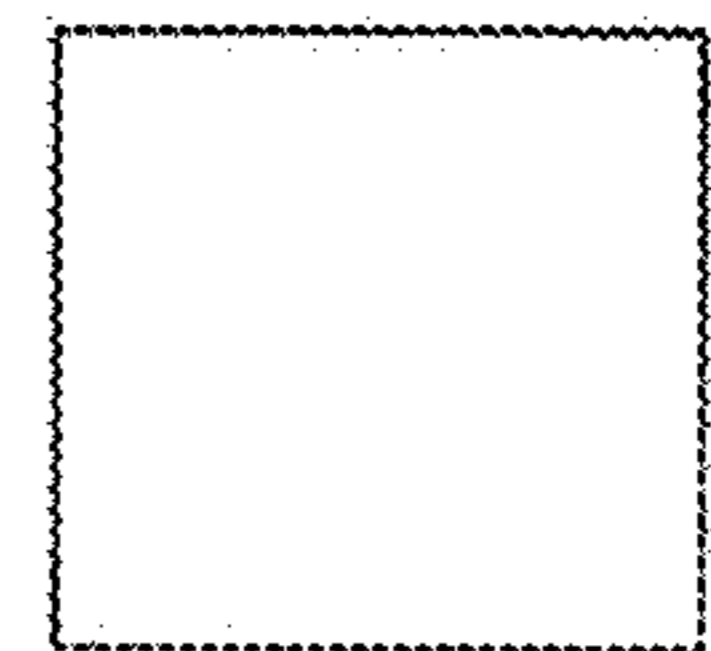


FIG. 4

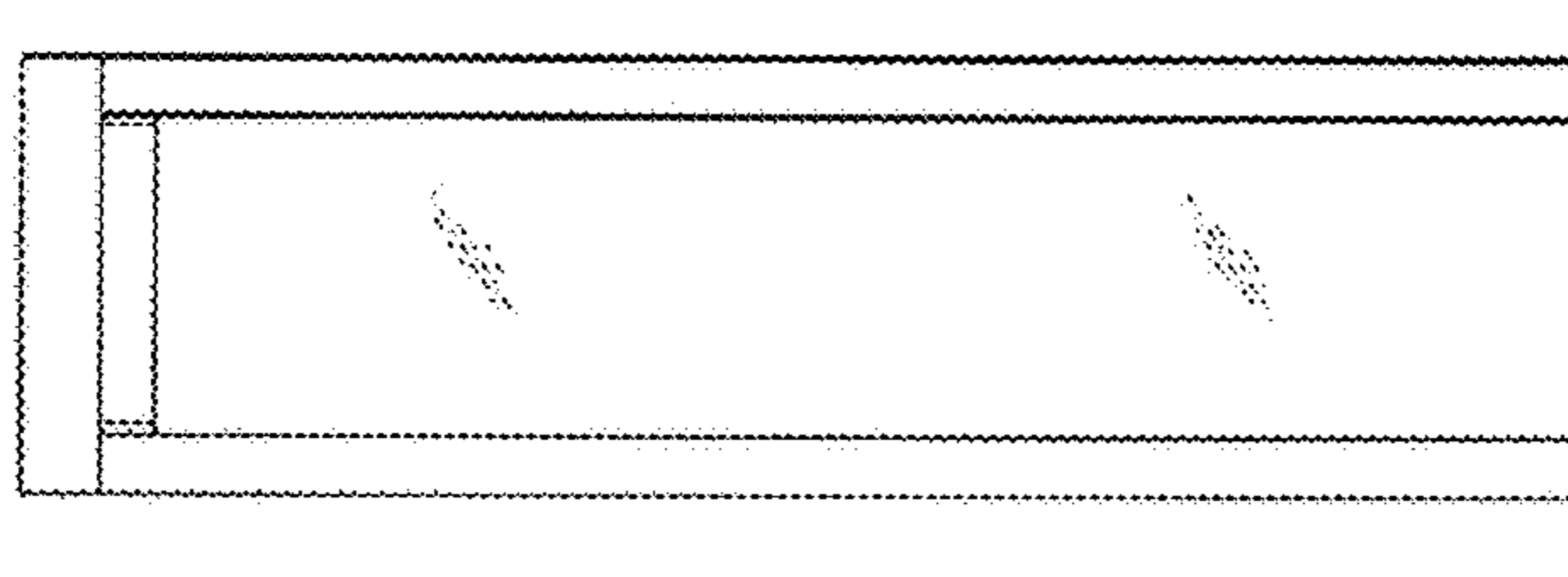


FIG. 5