

US00D877952S

(12) **United States Design Patent** (10) **Patent No.:** **US D877,952 S**
Gordin et al. (45) **Date of Patent:** **** Mar. 10, 2020**

- (54) **ARRAY INCLUDING ADJUSTABLE LIGHTING FIXTURES ON A POLE**
- (71) Applicant: **Musco Corporation**, Oskaloosa, IA (US)
- (72) Inventors: **Myron Gordin**, Oskaloosa, IA (US); **Steven T. Heaton**, Oskaloosa, IA (US)
- (73) Assignee: **Musco Corporation**, Oskaloosa, IA (US)
- (**) Term: **15 Years**
- (21) Appl. No.: **29/664,975**
- (22) Filed: **Sep. 28, 2018**

Related U.S. Application Data

- (62) Division of application No. 29/581,269, filed on Oct. 18, 2016, now Pat. No. Des. 833,662.
- (51) **LOC (12) Cl.** **26-03**
- (52) **U.S. Cl.**
USPC **D26/63**
- (58) **Field of Classification Search**
USPC D26/1, 24, 51, 61, 63, 80, 81, 86, 95, D26/102, 110, 127, 138; D25/1, 3, 4, 5, D25/35, 199
CPC ... E02B 17/021; F21S 2/00; F21S 6/00; F21S 8/00; F21S 8/003; F21S 8/036; F21V 21/116; F21V 21/22
See application file for complete search history.

References Cited

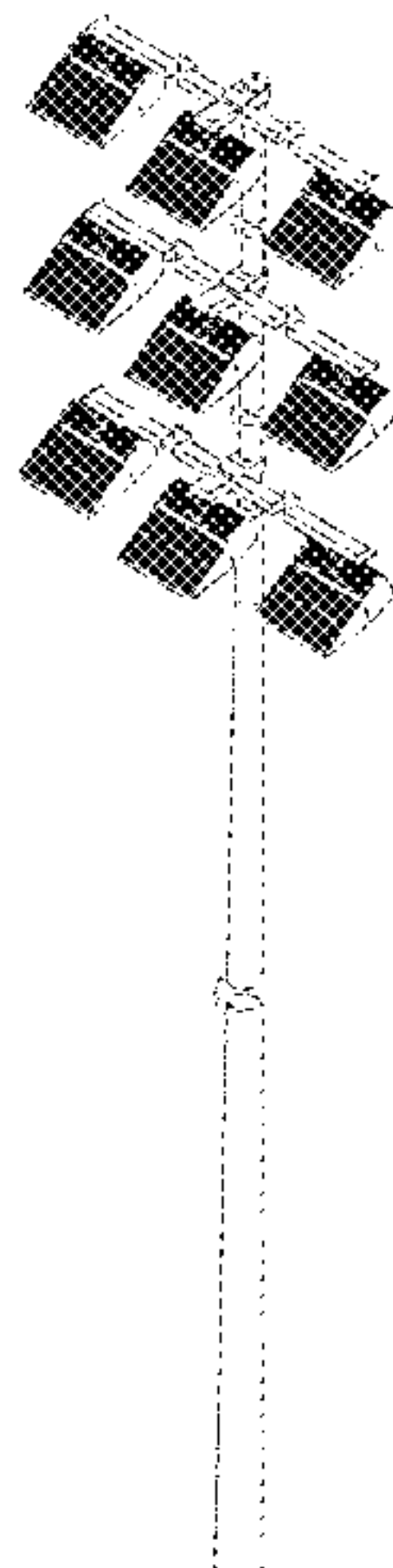
U.S. PATENT DOCUMENTS

- D158,803 S 5/1950 Russell
D195,876 S 8/1963 Atkin et al.
3,358,133 A 12/1967 Thoman et al.
D246,131 S 10/1977 Schifrin
4,190,881 A * 2/1980 Drost F21V 21/116
362/238
4,220,981 A * 9/1980 Koether F21V 21/22
362/238
D257,891 S * 1/1981 Drost D26/102

- D300,570 S 4/1989 DeCandia
D332,318 S 1/1993 Reding
D337,168 S * 7/1993 Gordin D25/127
D353,911 S * 12/1994 Gordin D25/127
5,426,577 A * 6/1995 Gordin F21V 21/116
174/45 R
5,647,661 A 7/1997 Gordin et al.
D391,382 S 2/1998 Rahn
5,887,969 A 3/1999 Gordin
D411,025 S 6/1999 Rahn
D411,096 S 6/1999 Gordin et al.
D412,592 S 8/1999 Kowalenko et al.
6,220,726 B1 4/2001 Gordin
6,250,596 B1 6/2001 Gordin et al.
D445,936 S 7/2001 Mier-Langner et al.
D472,339 S 3/2003 Russello et al.
D475,154 S 5/2003 Binsukor
7,484,866 B1 2/2009 Buse
D636,525 S 4/2011 Chang
D641,908 S 7/2011 McKee
D644,370 S 8/2011 Lickiss
8,007,131 B2 8/2011 Liu et al.
D646,826 S 10/2011 Smith
8,104,927 B2 1/2012 Gordin et al.
D655,840 S * 3/2012 Heaton D26/63
D659,280 S 5/2012 Guercio et al.
D672,908 S 12/2012 Wilcox et al.
D694,449 S 11/2013 Walker et al.
D695,949 S 12/2013 Gordin et al.
D695,950 S 12/2013 Gordin et al.
D695,952 S 12/2013 Gordin et al.
8,789,967 B2 7/2014 Gordin et al.
D716,990 S 11/2014 Yu
D743,602 S * 11/2015 Gordin D26/63
D757,343 S * 5/2016 Dupuis D26/110
D797,367 S * 9/2017 Hart D26/138
D808,052 S 1/2018 Gordin et al.
D808,053 S 1/2018 Gordin et al.
2006/0198145 A1 9/2006 Gordin
2009/0122550 A1 5/2009 Gordin et al.
2010/0110671 A1 5/2010 Gordin et al.
2010/0165654 A1 7/2010 Okubo et al.
2011/0074313 A1 3/2011 Gordin
2012/0039077 A1 2/2012 Householder
2013/0250556 A1 9/2013 Gordin et al.
2014/0301078 A1 10/2014 Gordin et al.
2015/0029721 A1 1/2015 Kim

FOREIGN PATENT DOCUMENTS

- EP 2056020 A1 5/2009
RU 2125681 C1 1/1999



WO	9633368	A1	10/1996
WO	2012166347	A2	12/2012
WO	2013173837	A1	11/2013

OTHER PUBLICATIONS

Musco Corporation, PCT/US2013/041863, filed May 20, 2013, "The International Search Report and the Written Opinion of the International Searching Authority, or the Declaration" dated Aug. 28, 2013, 13 pages.

Musco Corporation, PCT/US2012/037935 filed May 15, 2012, "The International Search Report and the Written Opinion of the International Searching Authority, or the Declaration", 13 pages, dated Jan. 29, 2013.

Musco Corporation, PCT/US2012/037935 filed May 15, 2012, "Transmittal of Copy of International Preliminary Report on Patentability", 8 pages, dated Dec. 12, 2013.

Musco Corporation, Application No. 13791654.0/PCT/US2013/041863, "Extended European Search Report" dated Oct. 25, 2016.

Musco Corporation, PCT/US2013/041863 filed May 20, 2013, "Transmittal of Copy of International Preliminary Report on Patentability", 8 pages, dated Nov. 27, 2014.

Musco Corporation, U.S. Appl. No. 29/500,935, filed Aug. 29, 2014, "Information Disclosure Statement" 4 pages, filed with the USPTO on Aug. 29, 2014.

* cited by examiner

Primary Examiner — Brian N. Vinson
(74) *Attorney, Agent, or Firm* — McKee, Voorhees & Sease, PLC

(57) CLAIM

The ornamental design for an array including adjustable lighting fixtures on a pole, as shown and described.

DESCRIPTION

FIG. 1 is a perspective view of one embodiment of the claimed design;

FIG. 2 is an enlarged perspective view of the upper portion of FIG. 1;

FIG. 3 is a front elevation view of FIG. 2 including a portion of the pole;

FIG. 4 is a back elevation of FIG. 2 including a portion of the pole;

FIG. 5 is a top plan view of FIG. 2;

FIG. 6 is a bottom plan view of FIG. 2 rotated 180 degrees;

FIG. 7 is a right side elevation of FIG. 2 including a portion of the pole;

FIG. 8 is a left side elevation of FIG. 2 including a portion of the pole;

FIG. 9 is a perspective view of another embodiment of the claimed design in a one-crossarm configuration;

FIG. 10 is a front elevation view of FIG. 9 including a portion of the pole;

FIG. 11 is a back elevation of FIG. 9 including a portion of the pole;

FIG. 12 is a right side elevation of FIG. 9 including a portion of the pole;

FIG. 13 is a left side elevation of FIG. 9 including a portion of the pole;

FIG. 14 is a top plan view of FIG. 9;

FIG. 15 is a bottom plan view of FIG. 9 rotated 180 degrees;

FIG. 16 is a perspective view of another embodiment of the claimed design in a two-crossarm configuration;

FIG. 17 is a front elevation view of FIG. 16 including a portion of the pole;

FIG. 18 is a back elevation of FIG. 16 including a portion of the pole;

FIG. 19 is a right side elevation of FIG. 16 including a portion of the pole;

FIG. 20 is a left side elevation of FIG. 16 including a portion of the pole;

FIG. 21 is a top plan view of FIG. 16;

FIG. 22 is a bottom plan view of FIG. 16 rotated 180 degrees;

FIG. 23 is a perspective view of another embodiment of the claimed design in a three-crossarm configuration;

FIG. 24 is a front elevation view of FIG. 23 including a portion of the pole;

FIG. 25 is a back elevation of FIG. 23 including a portion of the pole;

FIG. 26 is a right side elevation of FIG. 23 including a portion of the pole;

FIG. 27 is a left side elevation of FIG. 23 including a portion of the pole;

FIG. 28 is a top plan view of FIG. 23;

FIG. 29 is a bottom plan view of FIG. 23 rotated 180 degrees.

The separations indicated by brackets in FIGS. 1-2, 16, and 23 and indicated by double break lines in FIGS. 3-8, 10-13, 17-20, and 24-27 indicate (i) the precise length of pole and crossarms and (ii) the precise number of lighting fixtures (both total number and number per crossarm) of the array including adjustable lighting fixtures on a pole form no part of the claimed design. The broken lines shown in FIGS. 1-8 indicate unclaimed portions of the array including adjustable lighting fixtures on a pole and form no part of the claimed design. The broken lines at either end of each crossarm and at each lighting fixture entirely in broken line of FIGS. 9-29 indicate (i) the precise length of crossarms and (ii) the precise number of lighting fixtures (both total number and number per crossarm) of the array including adjustable lighting fixtures on a pole form no part of the claimed design; all other broken lines shown in FIGS. 9-29 indicate unclaimed portions of the array including adjustable lighting fixtures on a pole and form no part of the claimed design. FIG. 30 is a perspective view of the claimed design in a twenty-one lighting fixture configuration; FIG. 31 is an enlarged perspective view of the upper portion of the design; FIG. 32 is a front elevation view of FIG. 31 including a portion of the pole; FIG. 33 is a back elevation of FIG. 31 including a portion of the pole; FIG. 34 is a top plan view of FIG. 31; FIG. 35 is a bottom plan view of FIG. 31 rotated 180 degrees; FIG. 36 is a right side elevation of FIG. 31 including a portion of the pole; FIG. 37 is a left side elevation of FIG. 31 including a portion of the pole; FIG. 38 is a perspective view of the claimed design in a seven lighting fixture configuration; FIG. 39 is an enlarged perspective view of the upper portion of the design; FIG. 40 is a front elevation view of FIG. 39 including a portion of the pole; FIG. 41 is a back elevation of FIG. 39 including a portion of the pole;

FIG. 42 is a top plan view of FIG. 39;
FIG. 43 is a bottom plan view of FIG. 39 rotated 180 degrees;
FIG. 44 is a right side elevation of FIG. 39 including a portion of the pole;
FIG. 45 is a left side elevation of FIG. 39 including a portion of the pole;
FIG. 46 is a perspective view of the claimed design in a fourteen lighting fixture configuration;
FIG. 47 is an enlarged perspective view of the upper portion of the design;
FIG. 48 is a front elevation view of FIG. 47 including a portion of the pole;
FIG. 49 is a back elevation of FIG. 47 including a portion of the pole;
FIG. 50 is a top plan view of FIG. 47;
FIG. 51 is a bottom plan view of FIG. 47 rotated 180 degrees;
FIG. 52 is a right side elevation of FIG. 47 including a portion of the pole;
FIG. 53 is a left side elevation of FIG. 47 including a portion of the pole;
FIG. 54 is a perspective view of the claimed design in a fifteen lighting fixture configuration;
FIG. 55 is an enlarged perspective view of the upper portion of the design;

FIG. 56 is a front elevation view of FIG. 55 including a portion of the pole;
FIG. 57 is a back elevation of FIG. 55 including a portion of the pole;
FIG. 58 is a top plan view of FIG. 55;
FIG. 59 is a bottom plan view of FIG. 55 rotated 180 degrees;
FIG. 60 is a right side elevation of FIG. 55 including a portion of the pole;
FIG. 61 is a left side elevation of FIG. 55 including a portion of the pole;
FIG. 62 is an isolated back perspective view of the lighting fixture of FIGS. 1-61; and,
FIG. 63 is an isolated front perspective view of the lighting fixture of FIGS. 1-61.
The separations indicated by brackets in FIGS. 30, 38, 46 and 54 and indicated by double break lines in FIGS. 32, 33, 36, 37, 40, 41, 44, 45, 48, 49, 52, 53, 56, 57, 60 and 61 indicate the precise length of pole of the array including adjustable lighting fixtures on a pole form no part of the claimed design. The broken lines shown in FIGS. 30-63 indicate unclaimed portions of the array including adjustable lighting fixtures on a pole and form no part of the claimed design.

1 Claim, 63 Drawing Sheets

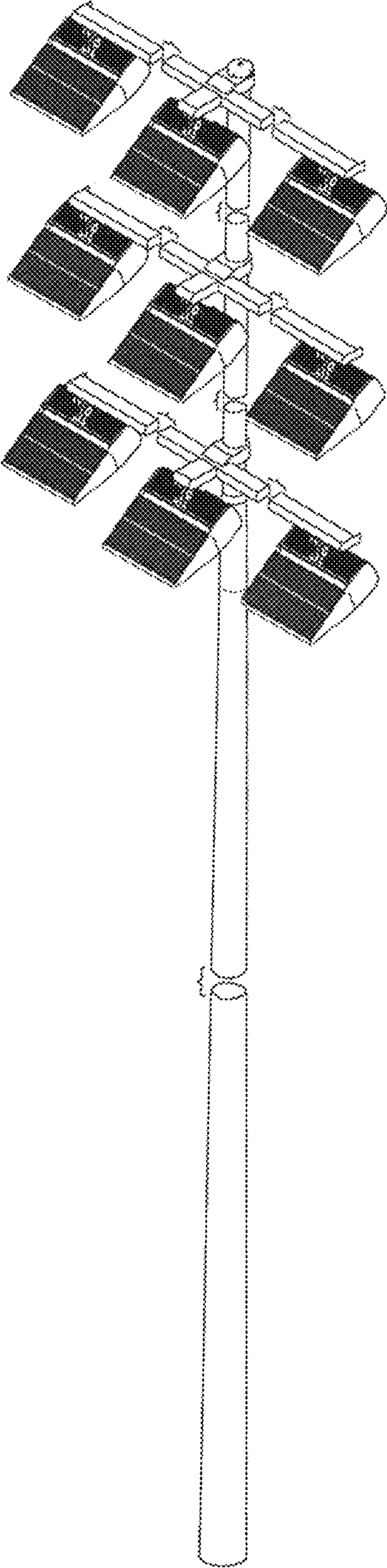


FIG 1

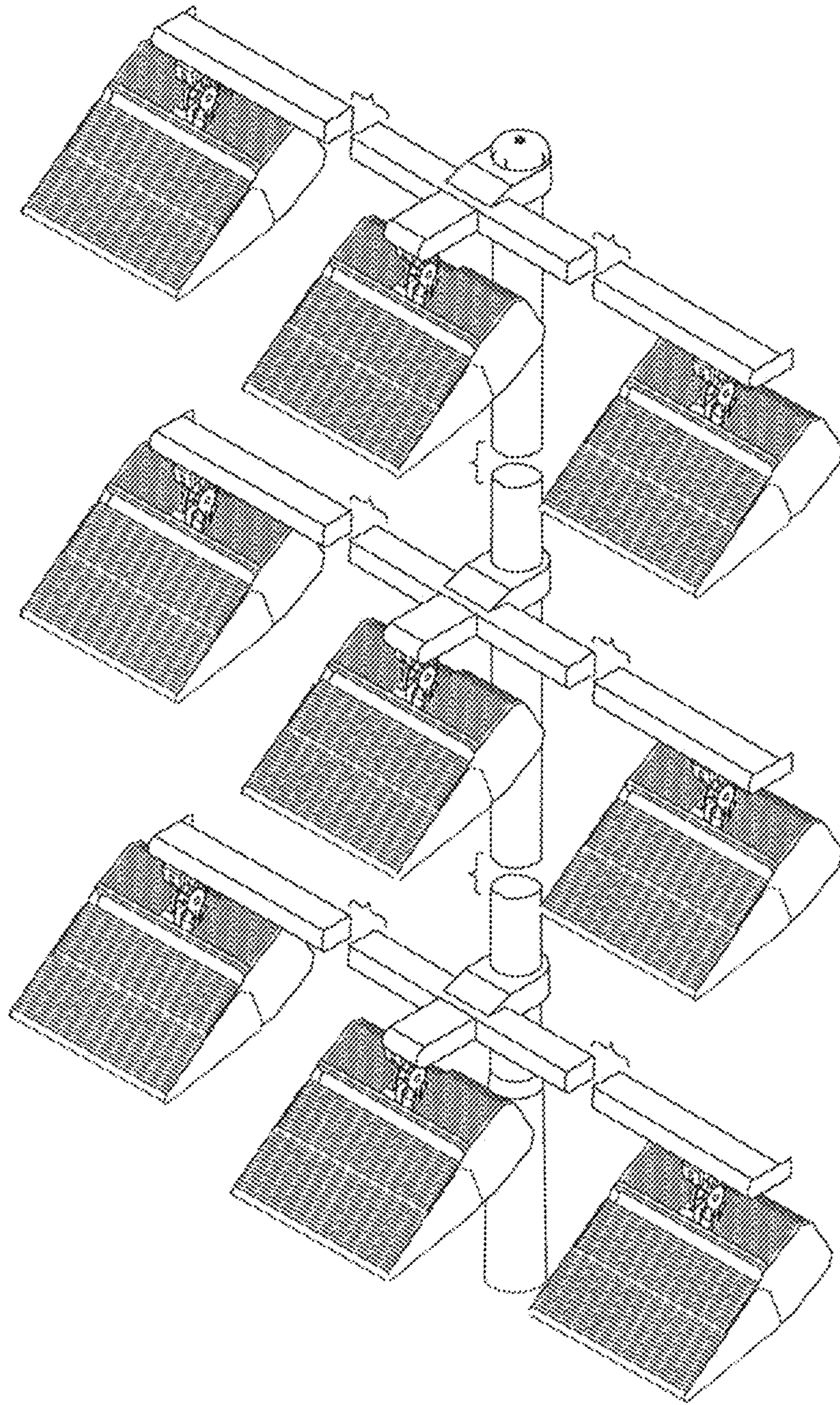


FIG 2

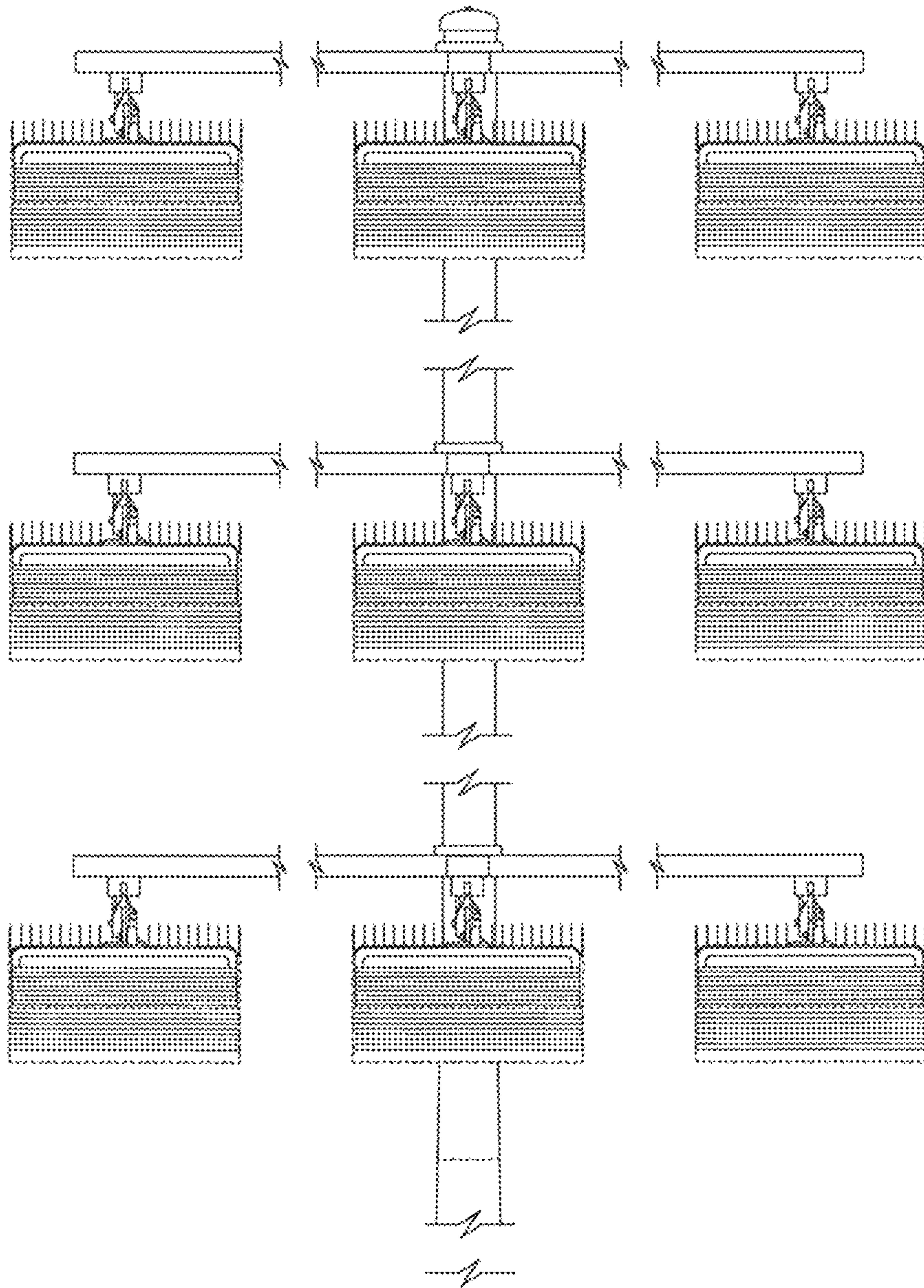


FIG 3

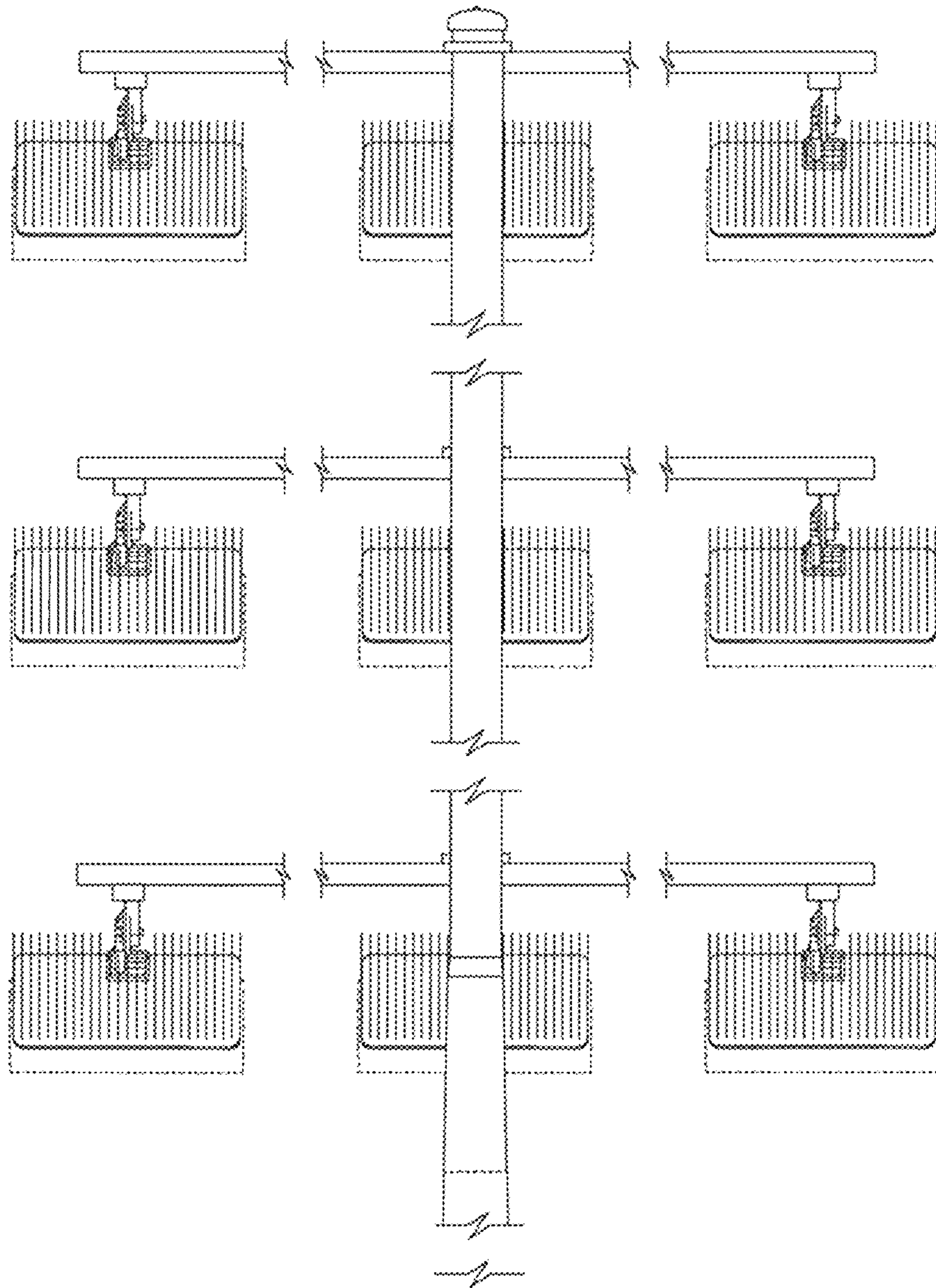


FIG 4

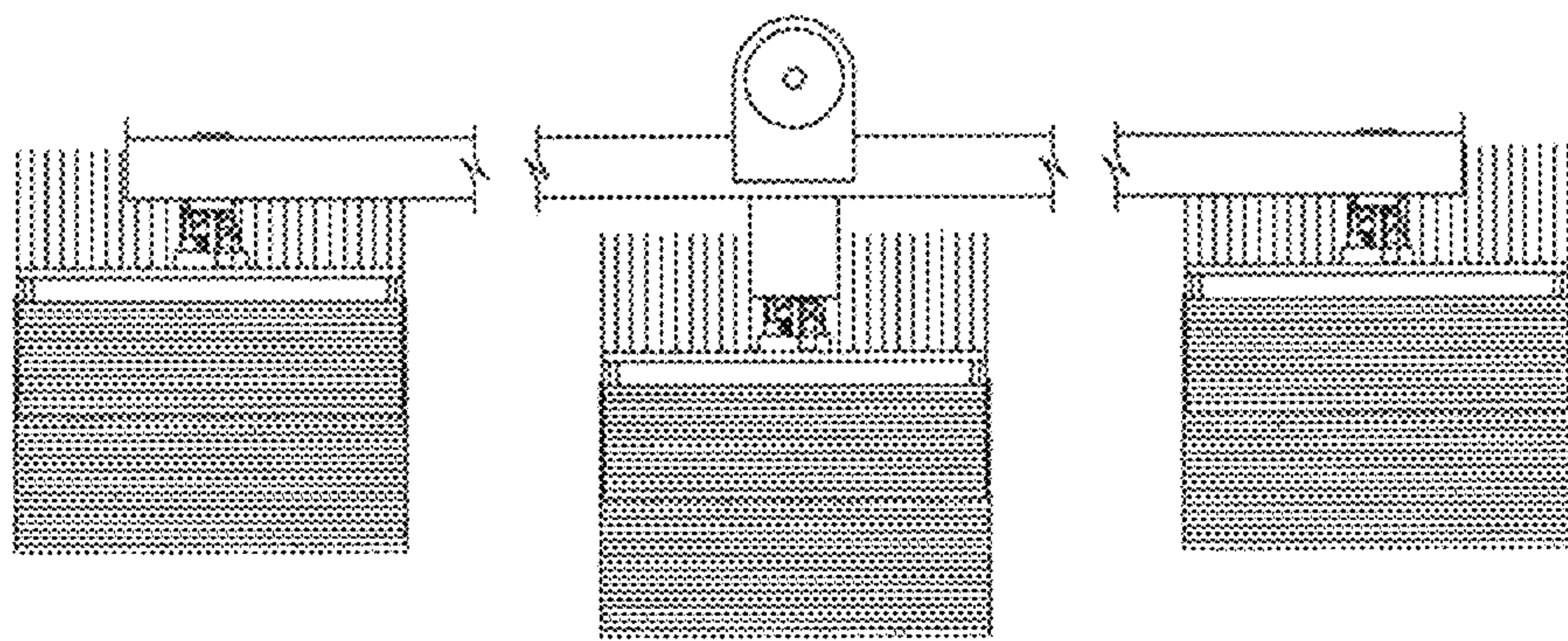


FIG 5

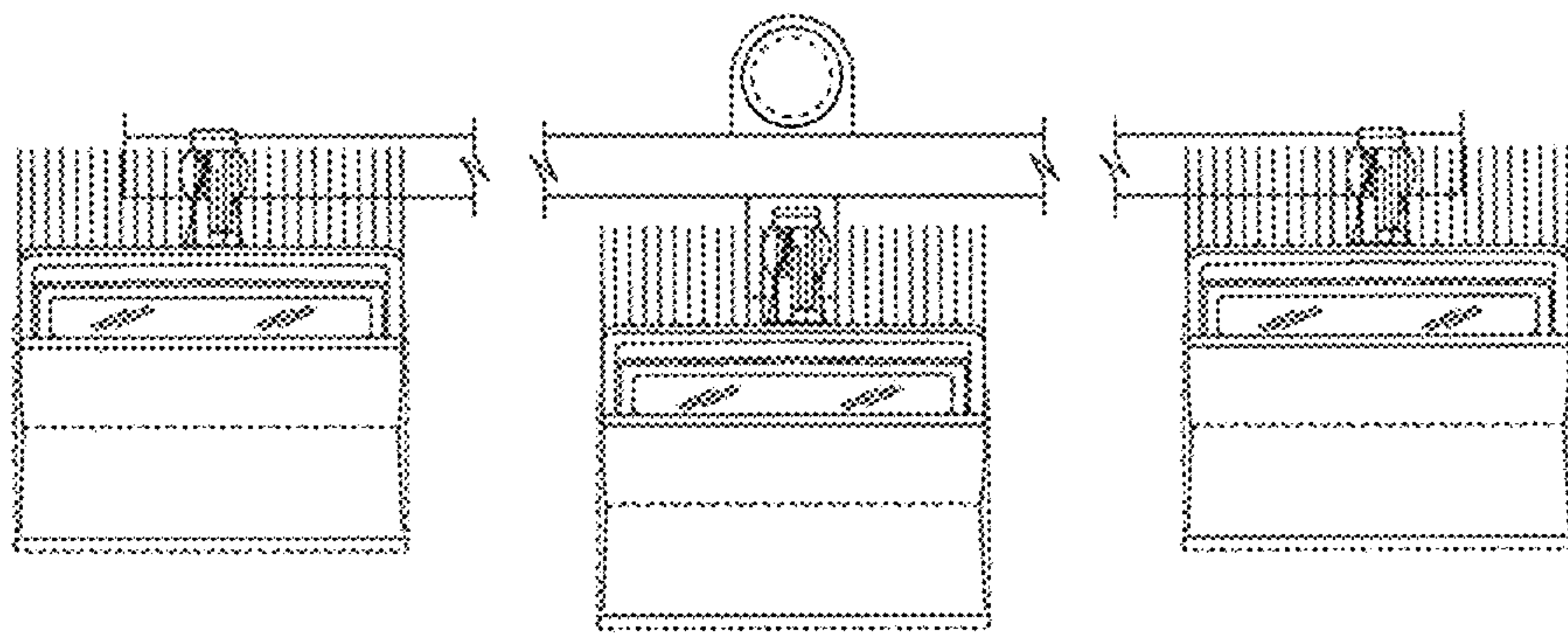


FIG 6

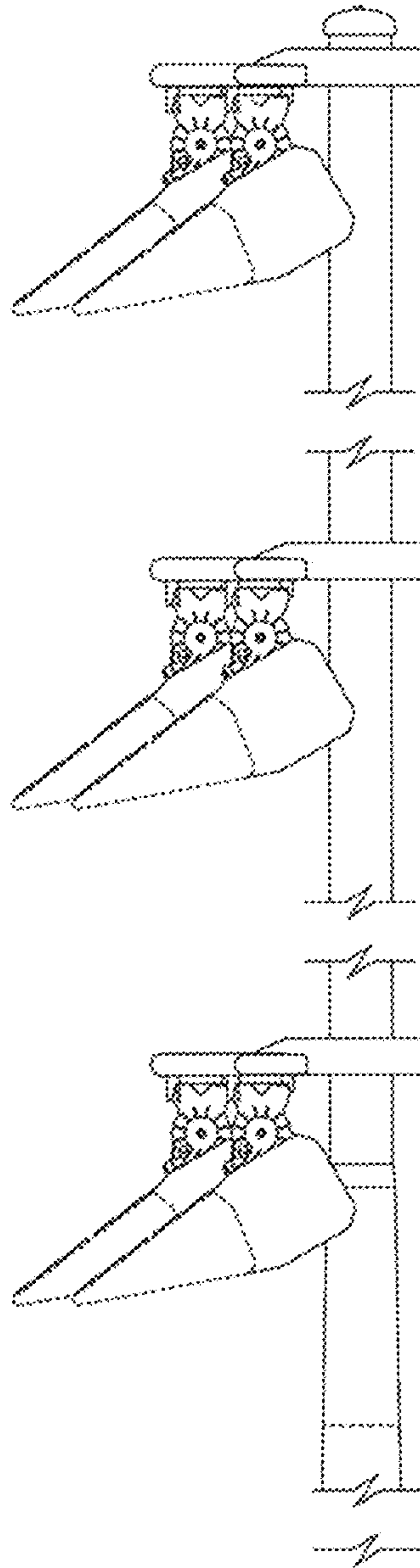


FIG 7

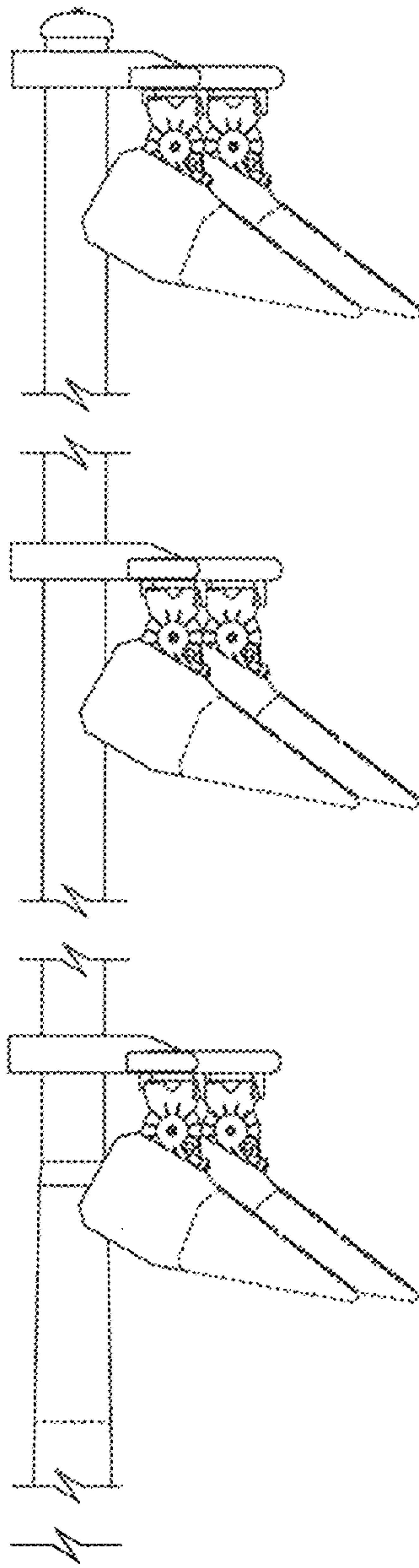


FIG 8

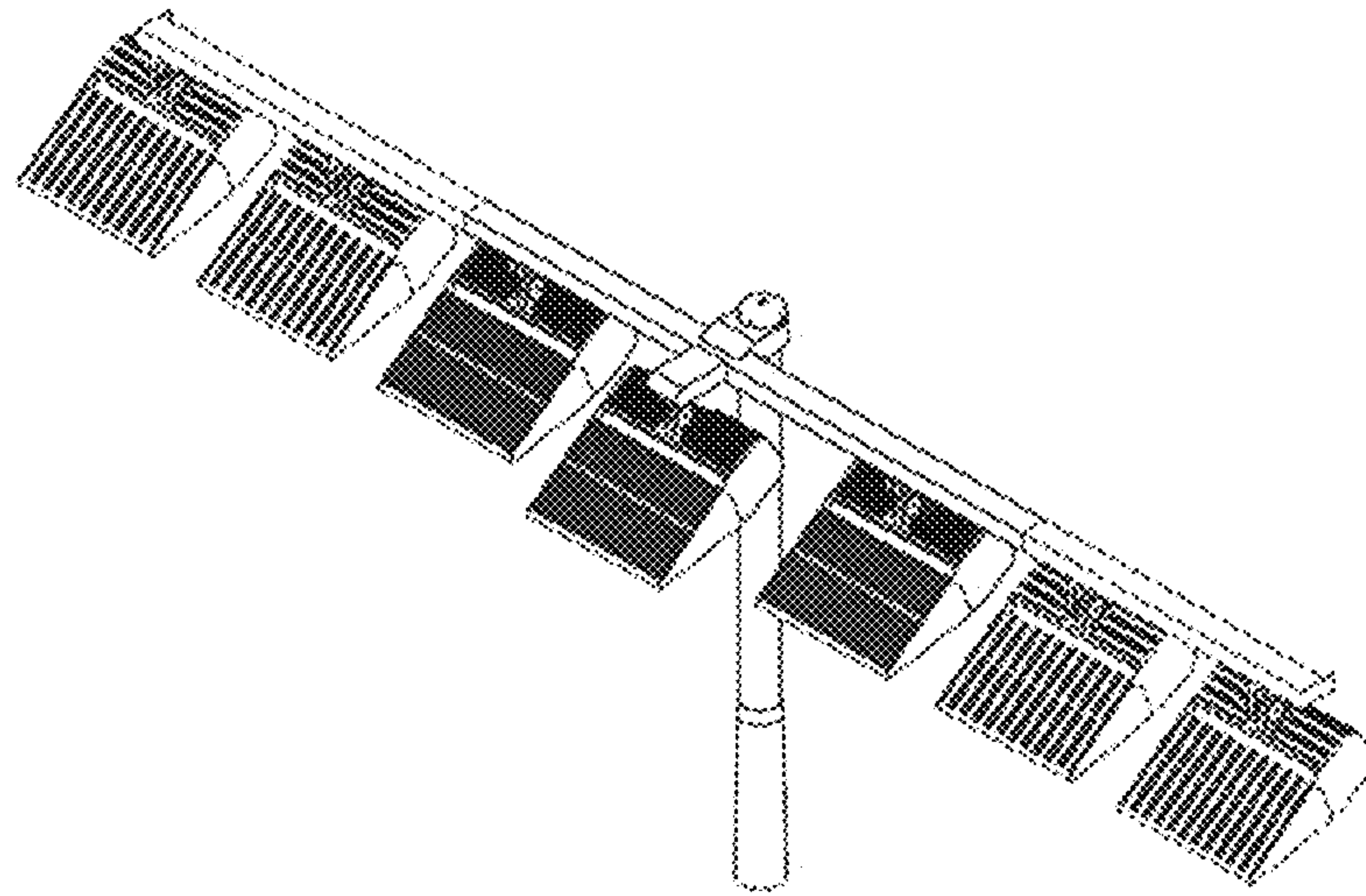


FIG 9

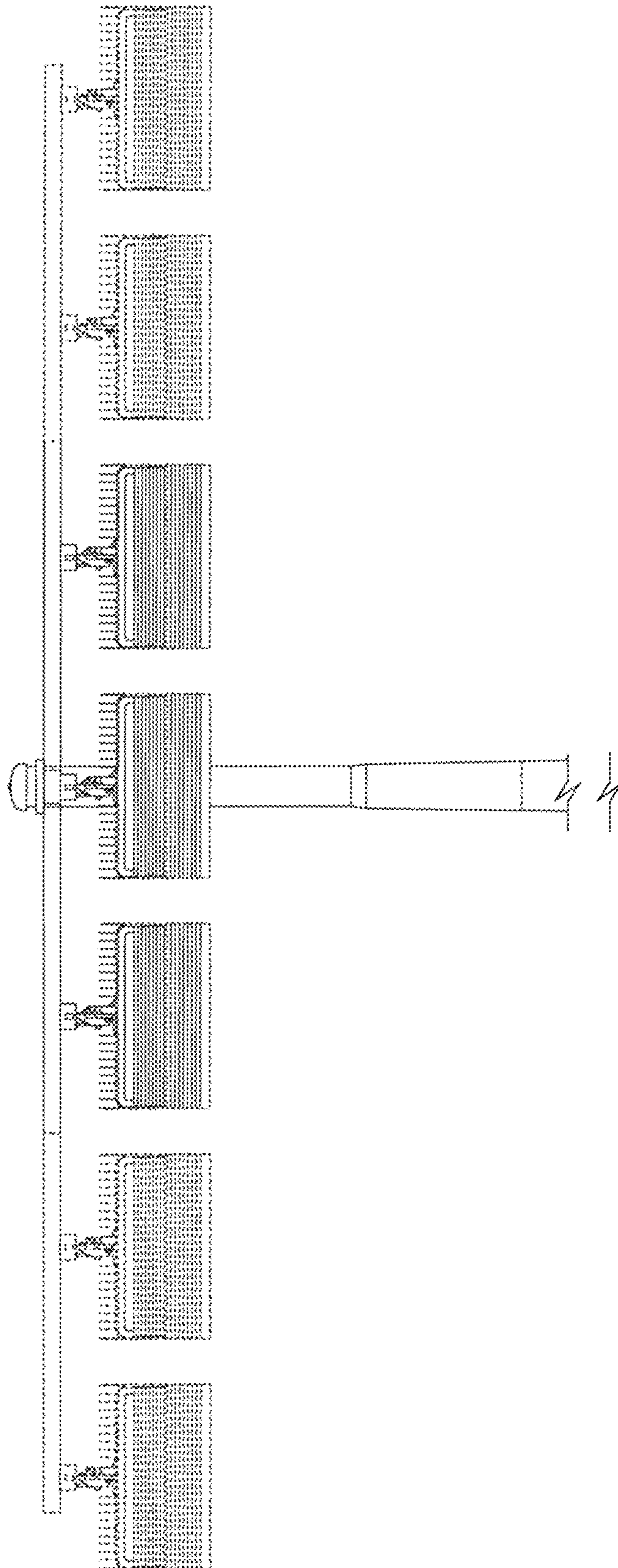
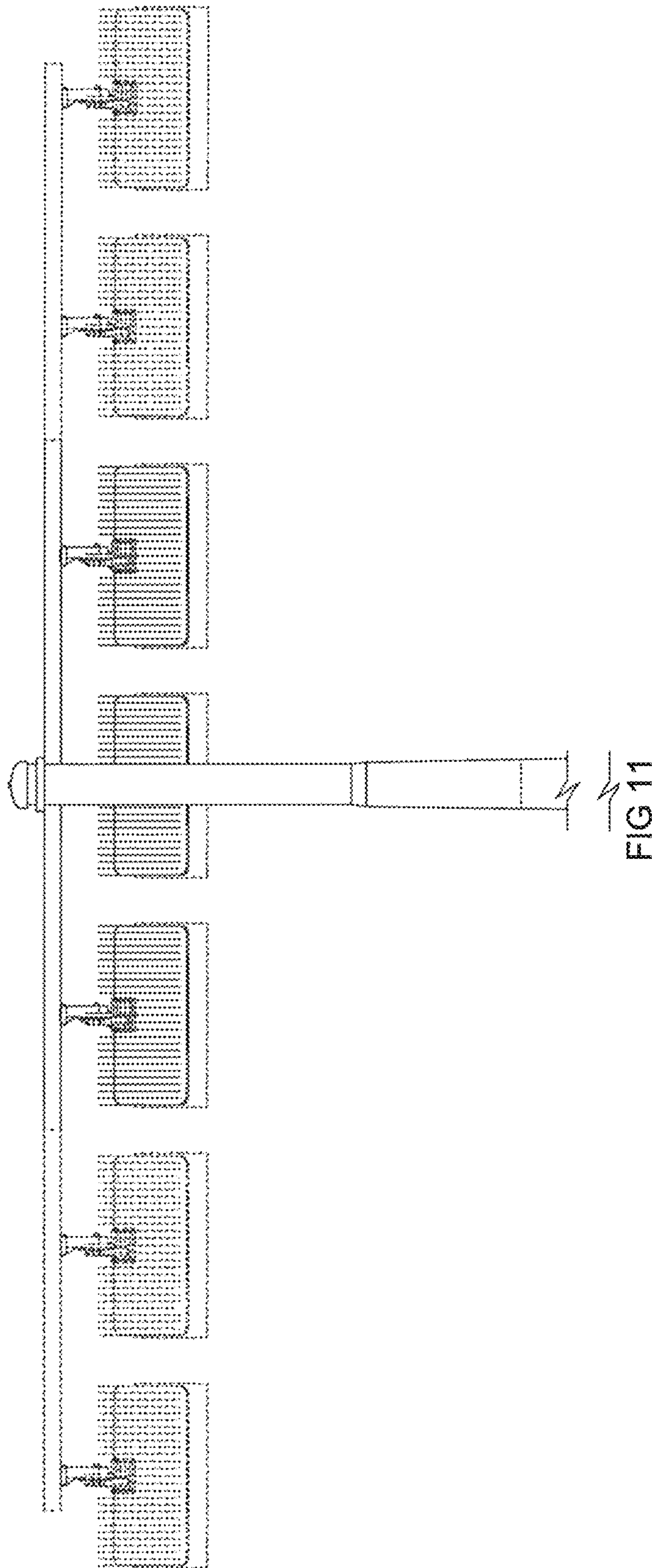


FIG 10



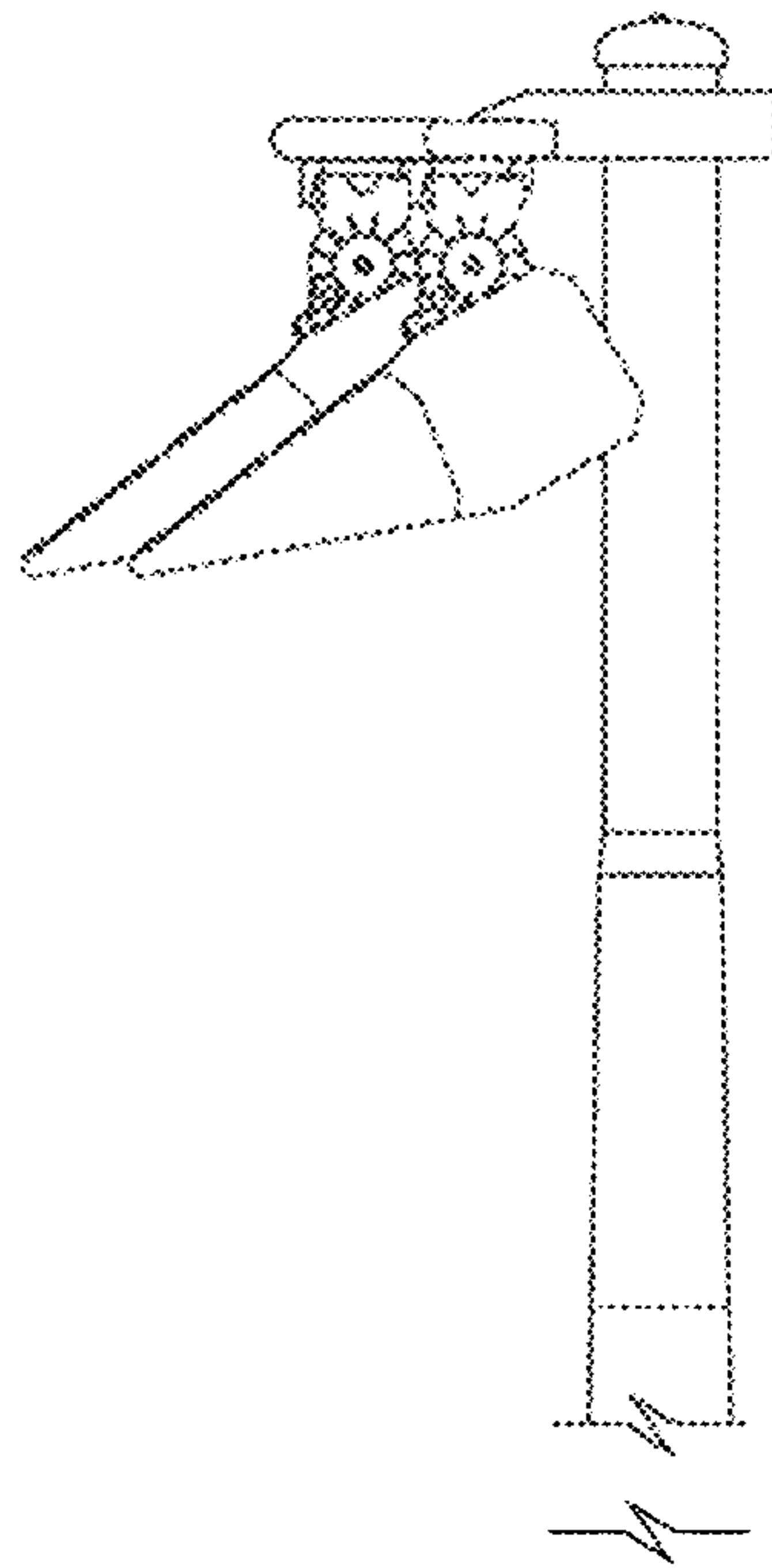


FIG 12

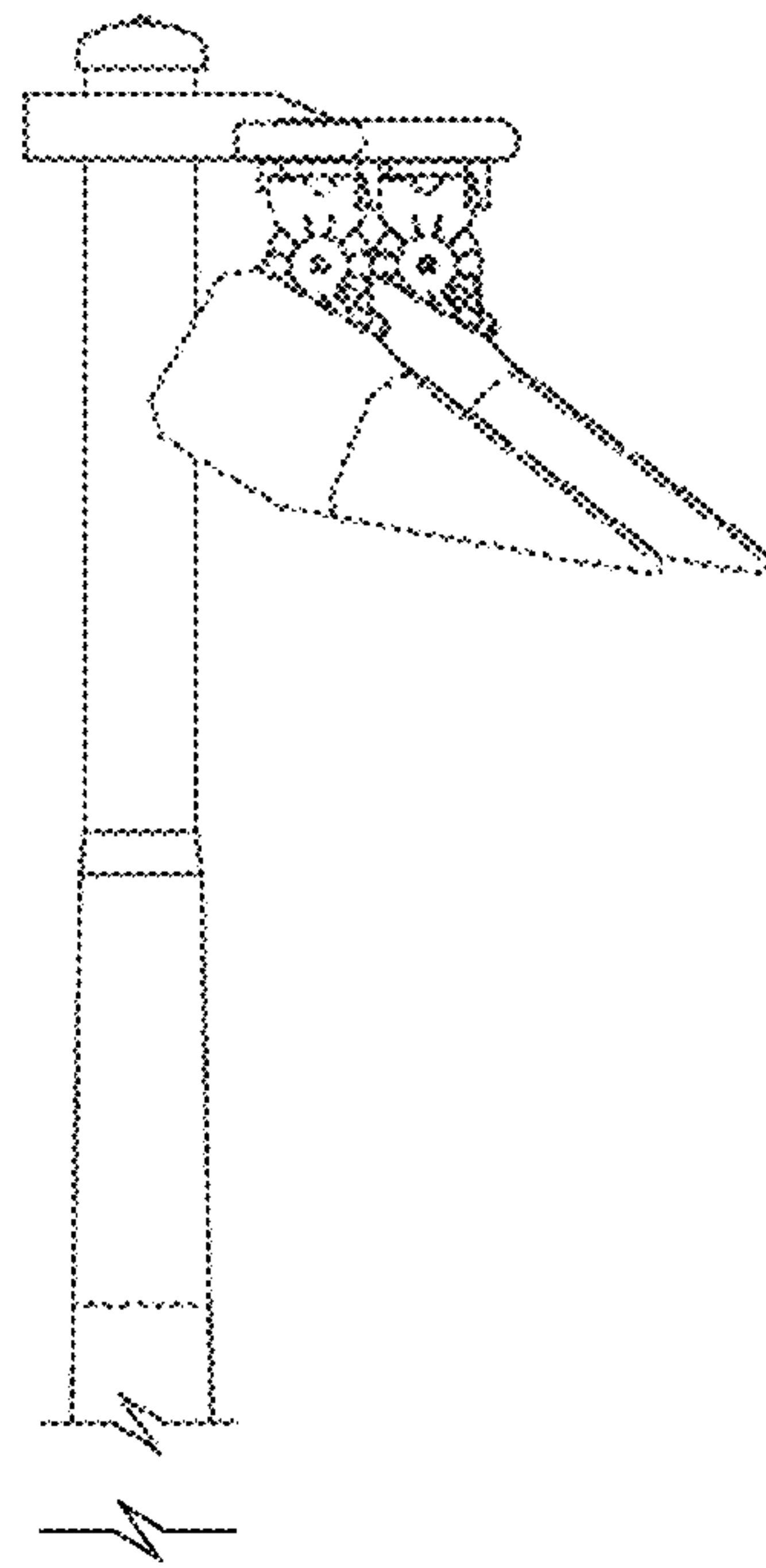


FIG 13

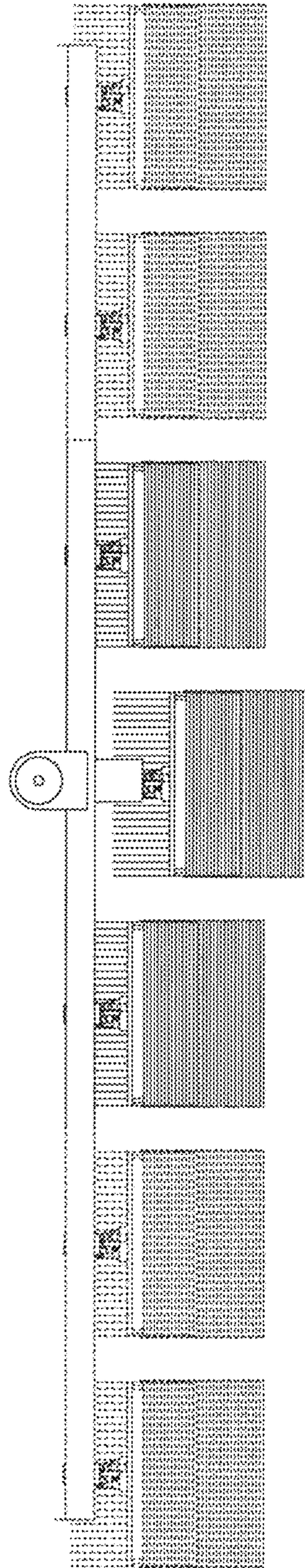


FIG 14

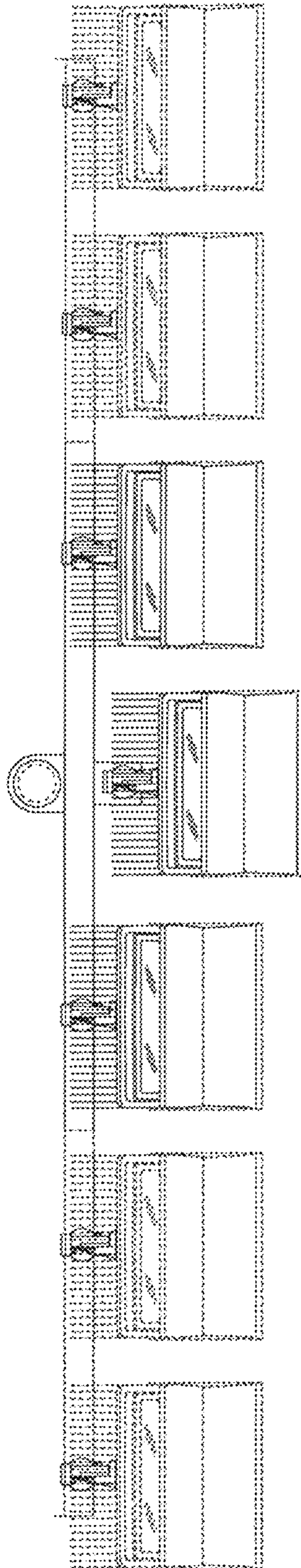


FIG 15

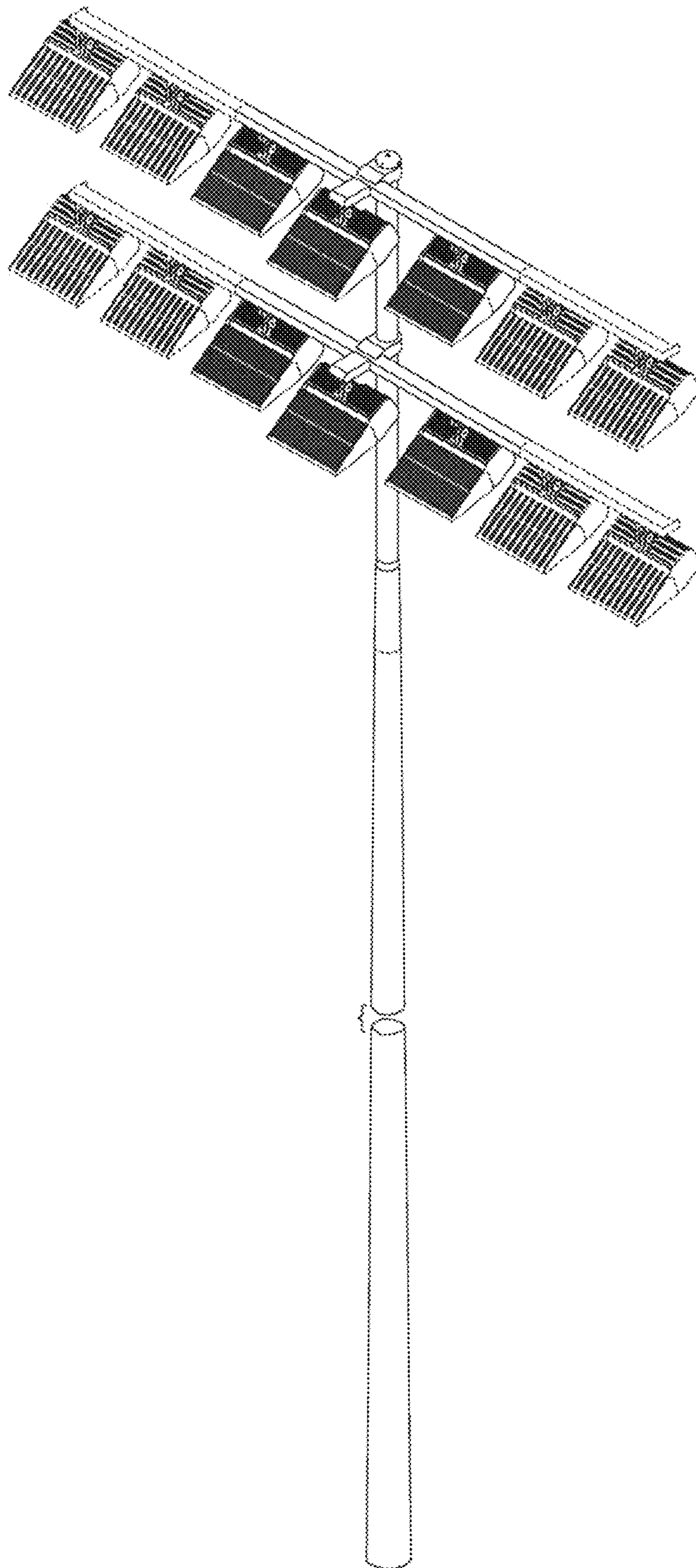


FIG 16

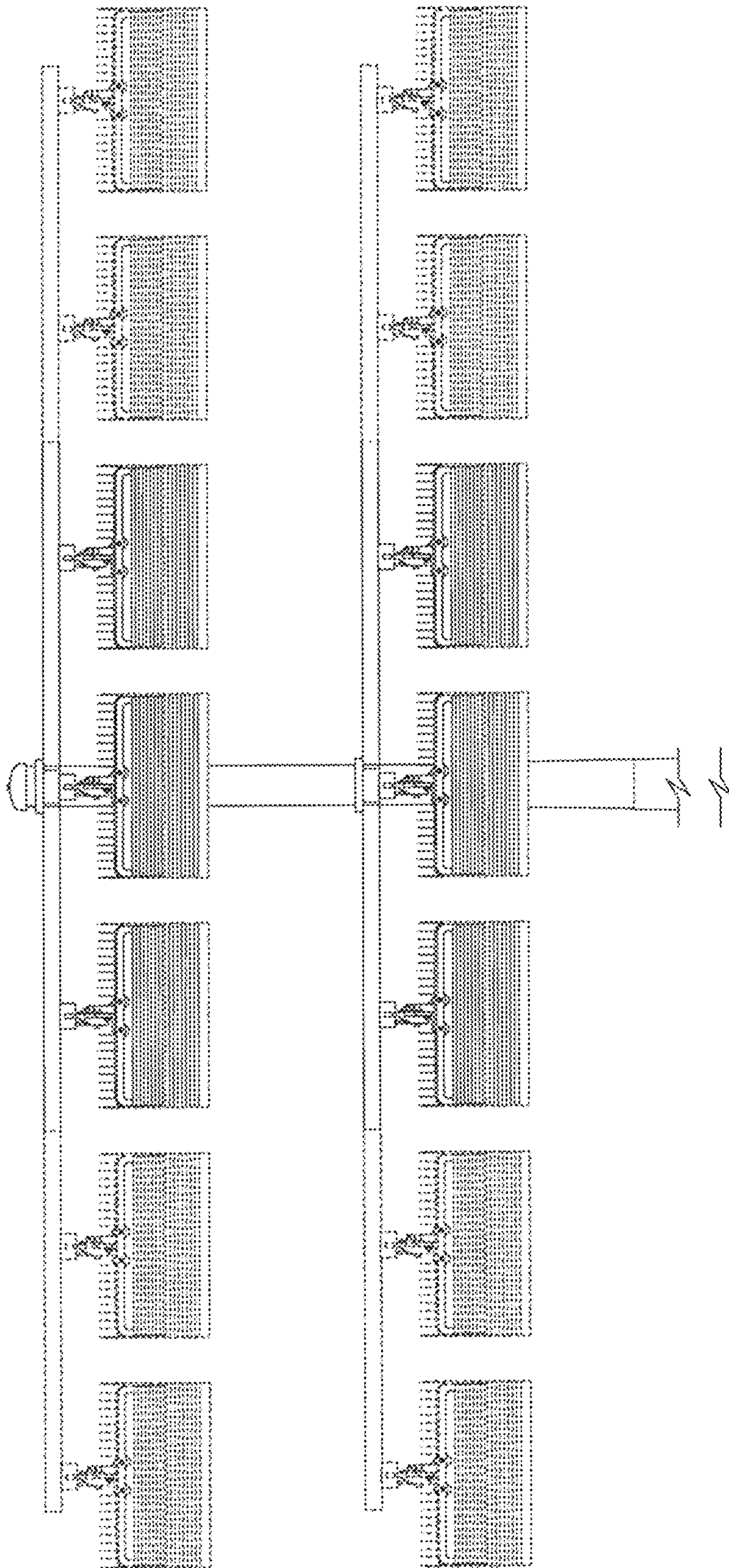


FIG 17

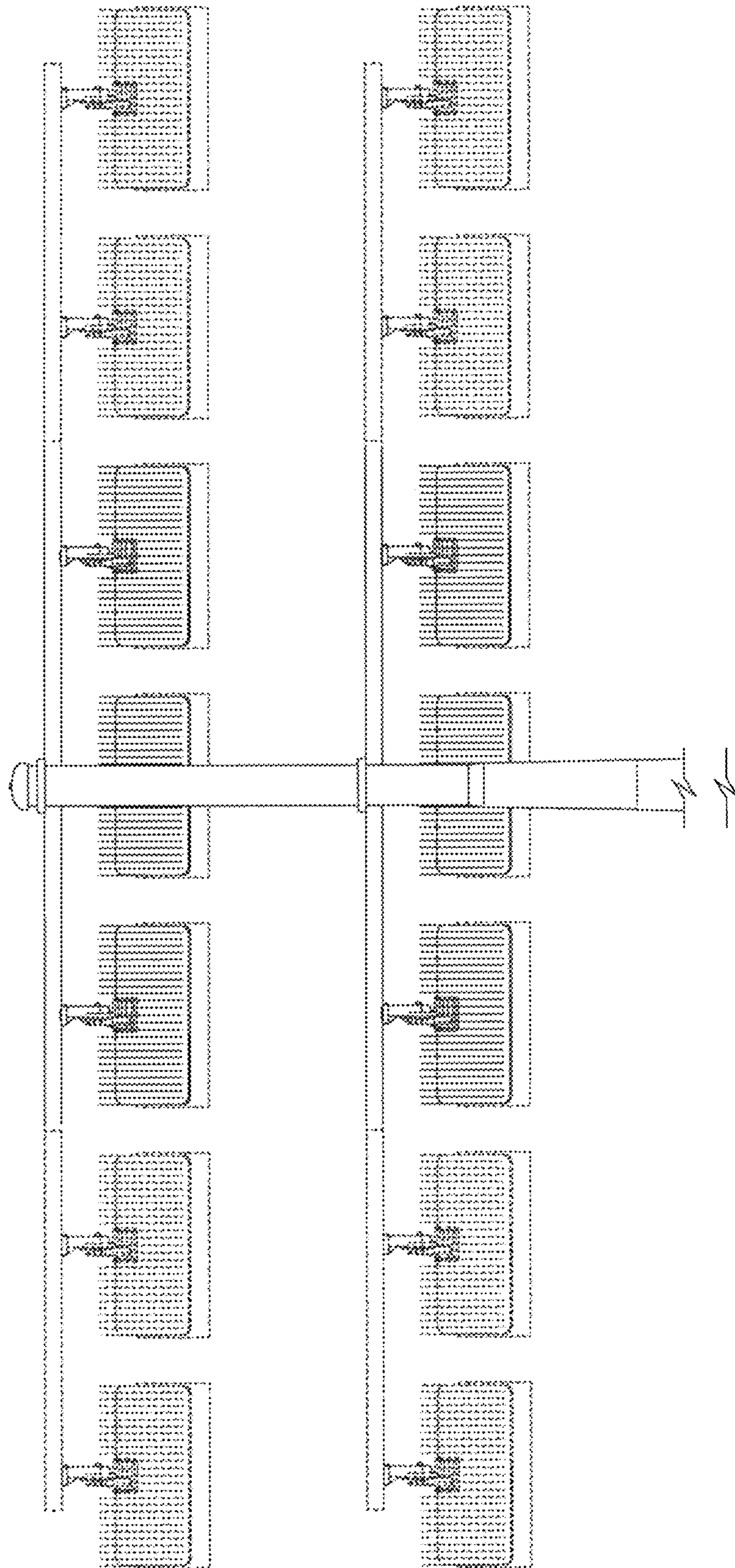


FIG 18

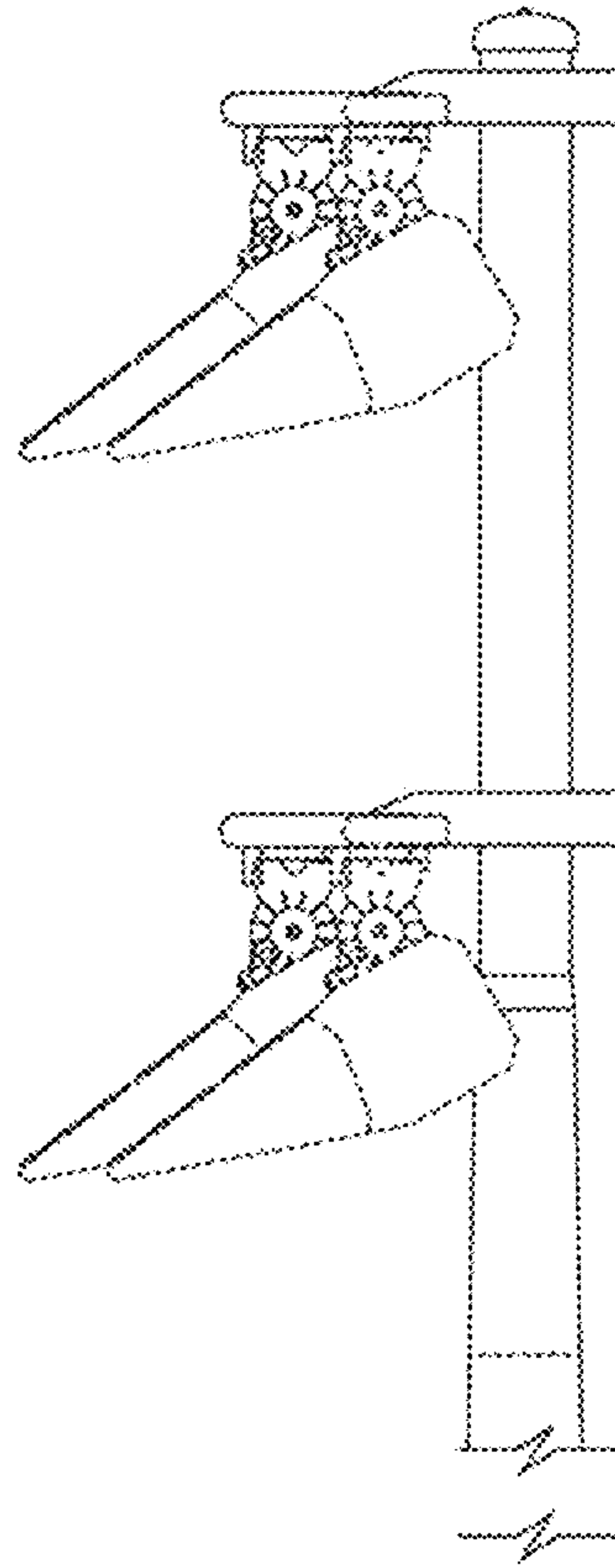


FIG 19

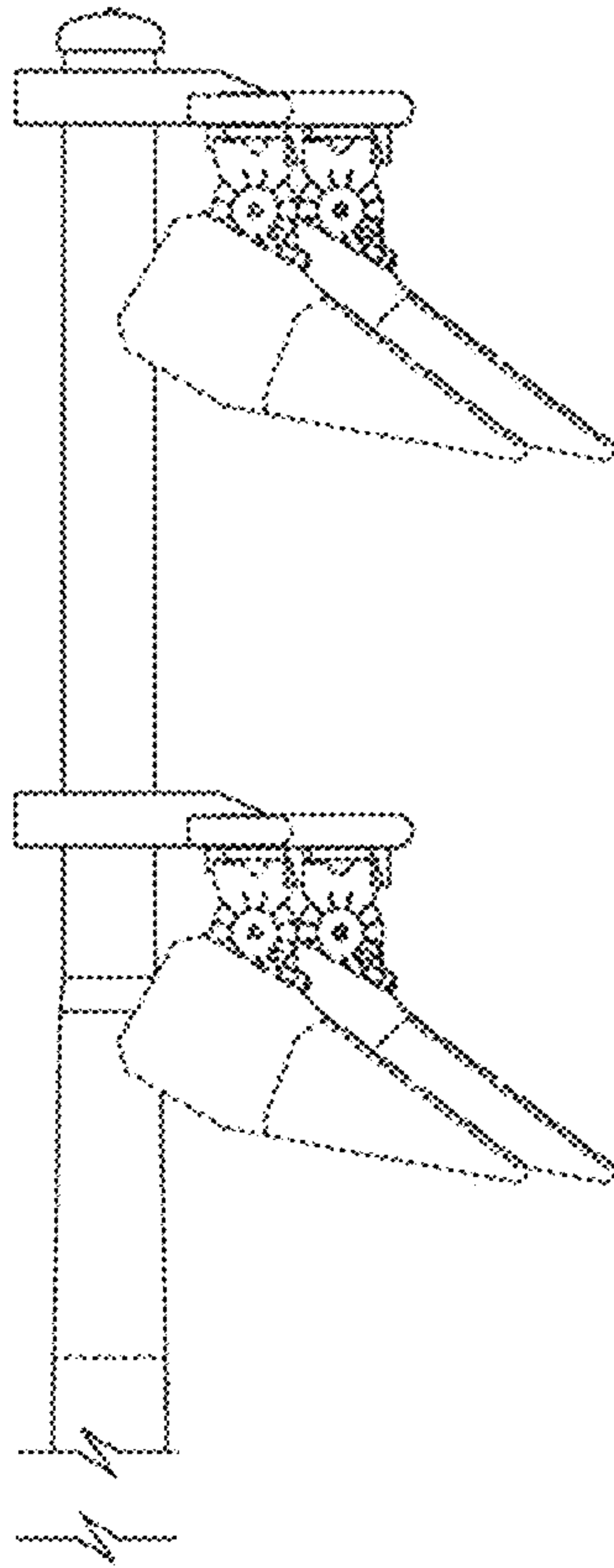


FIG 20

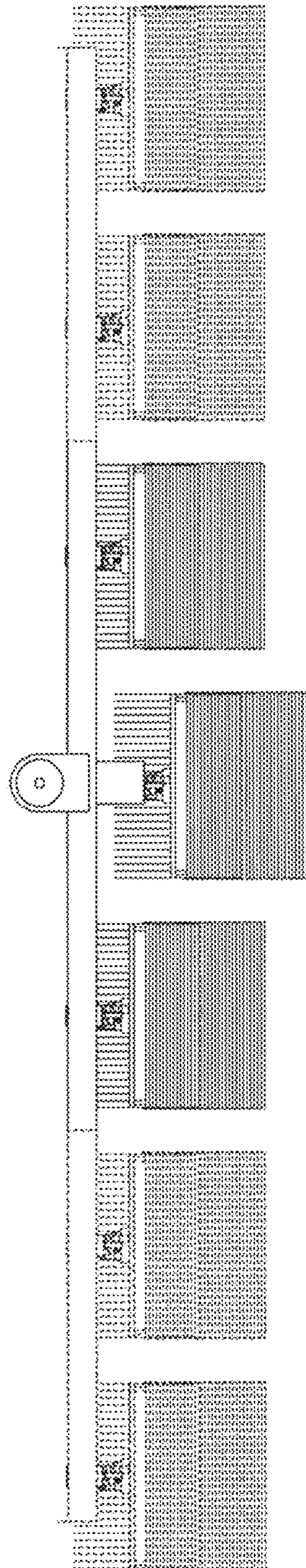


FIG 21

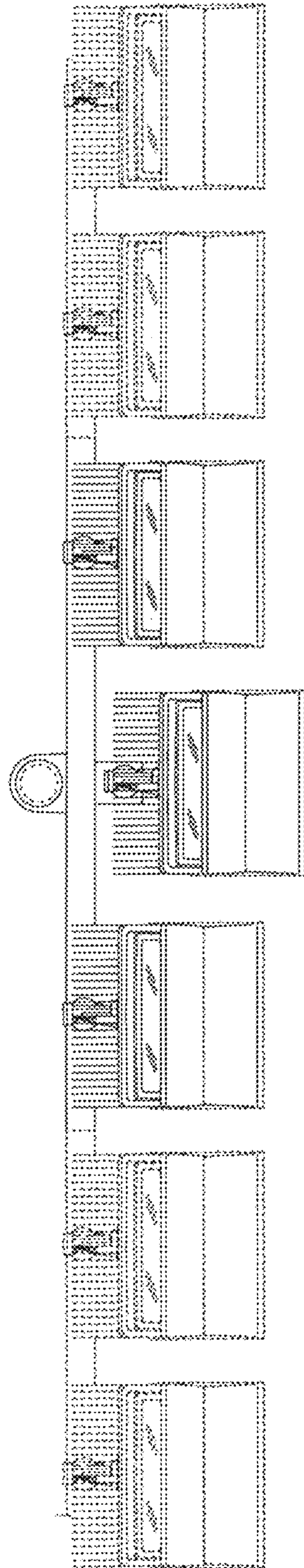


FIG 22

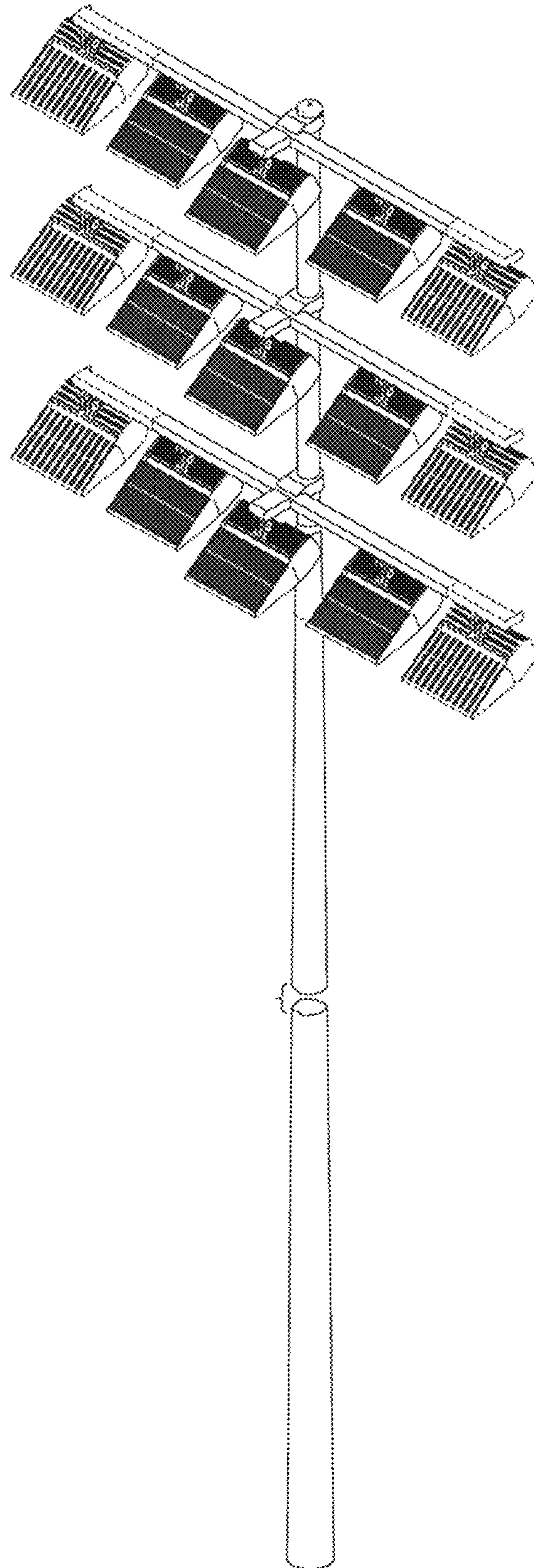


FIG 23

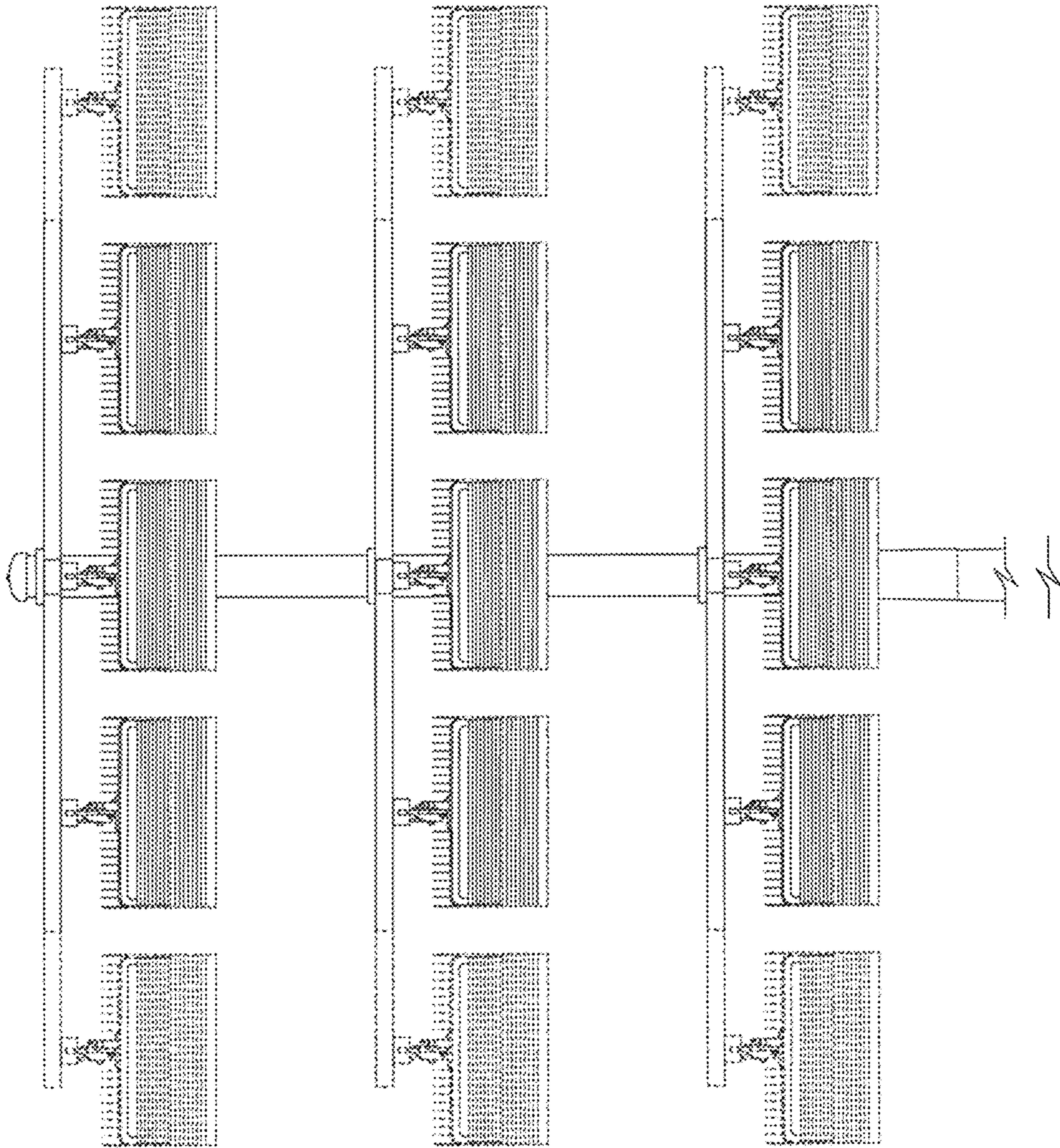


FIG 24

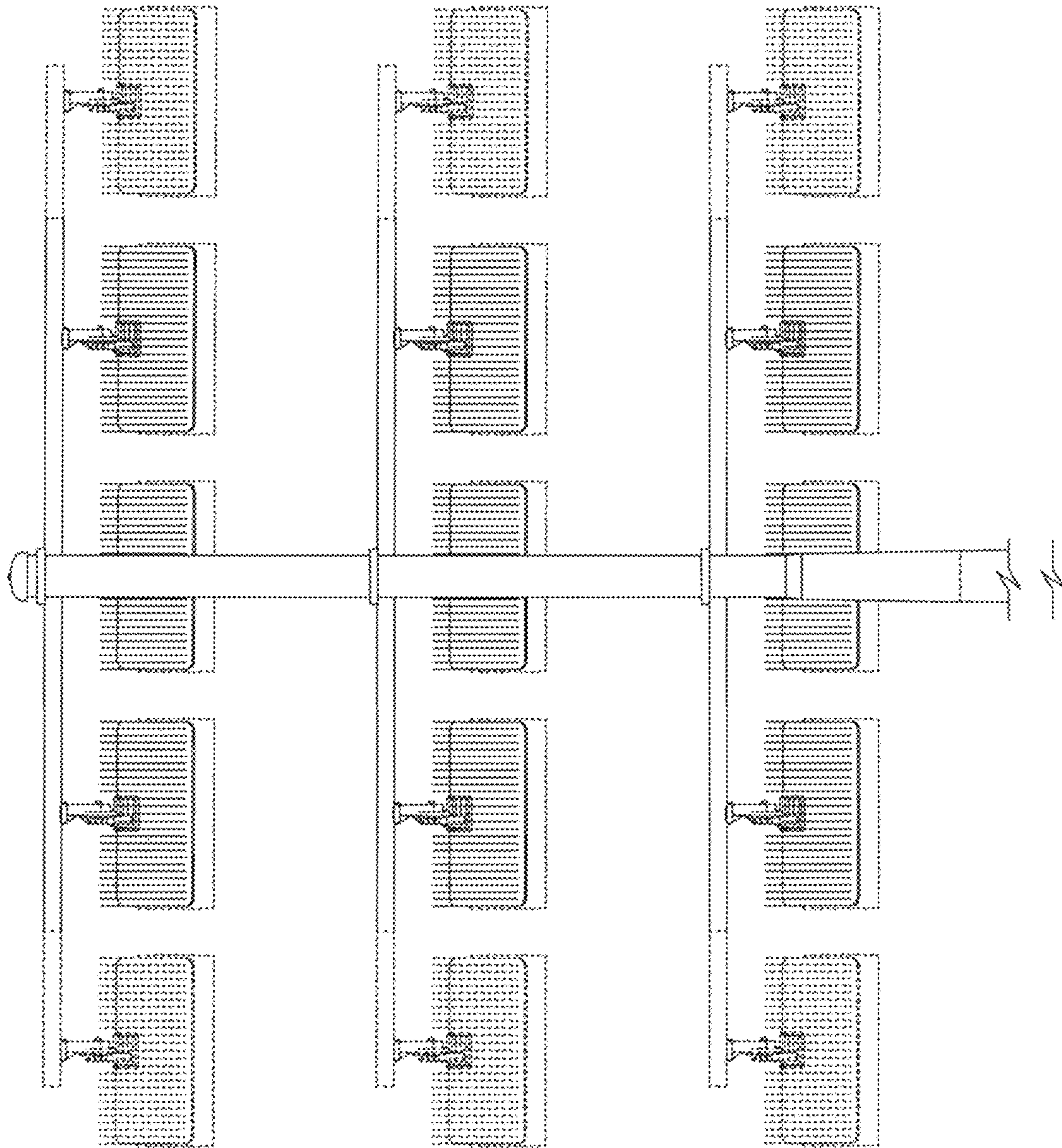


FIG 25

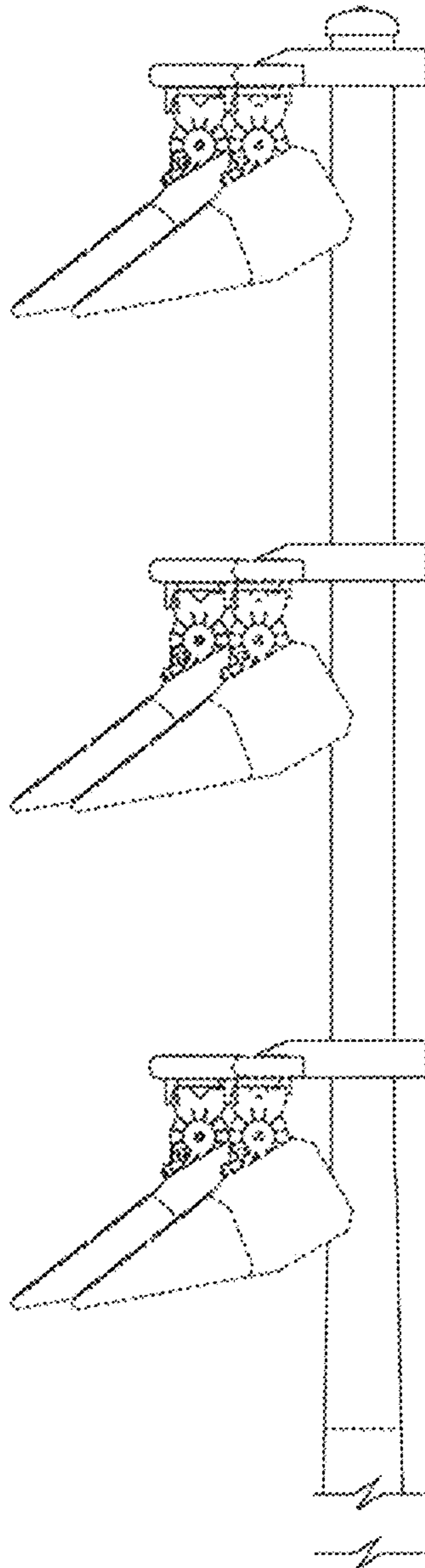


FIG 26

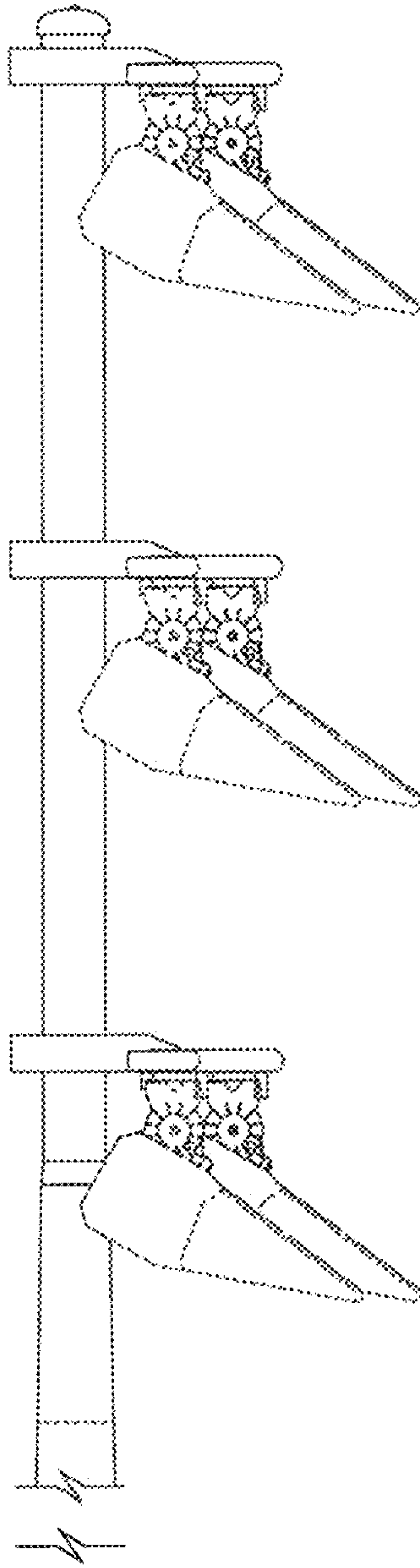


FIG 27

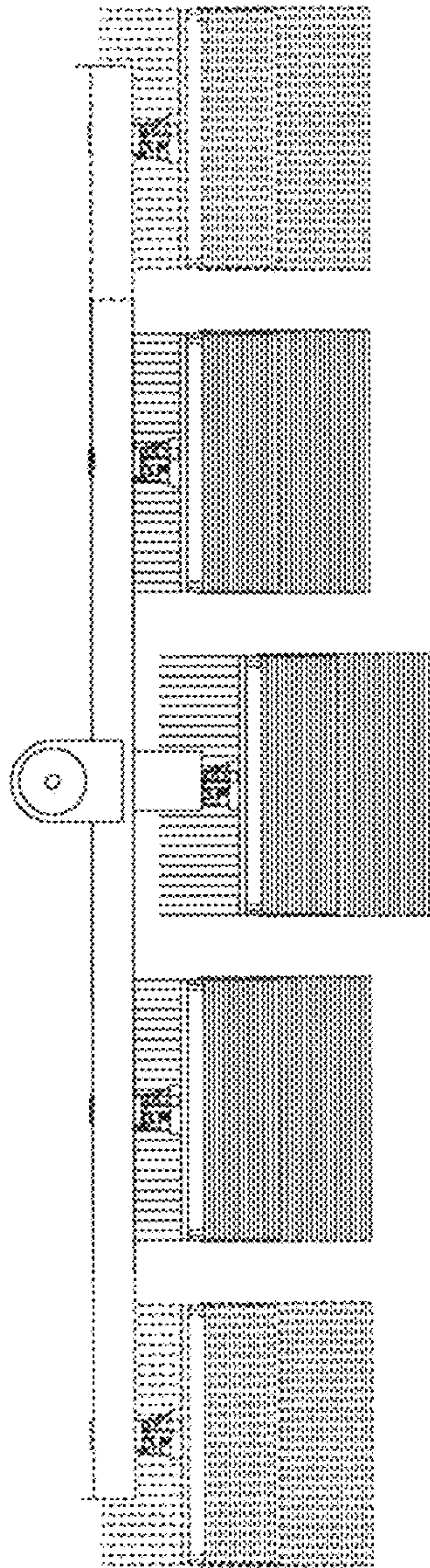


FIG 28

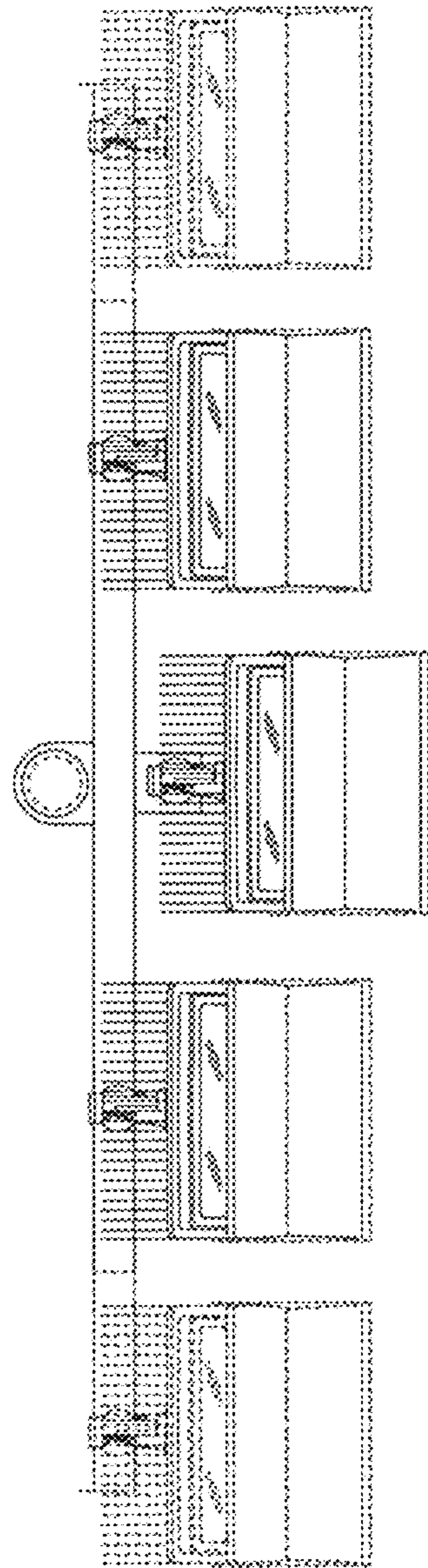


FIG 29

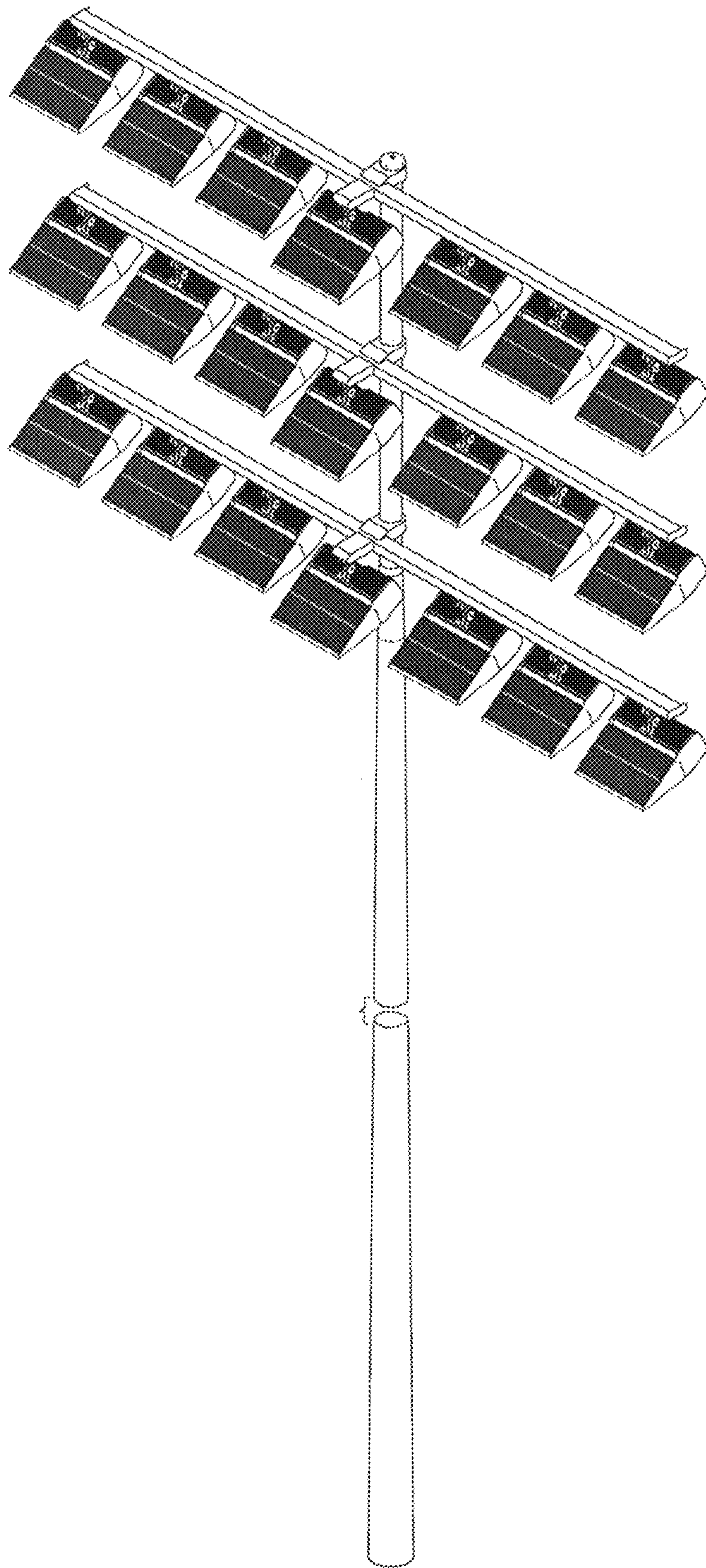


FIG 30

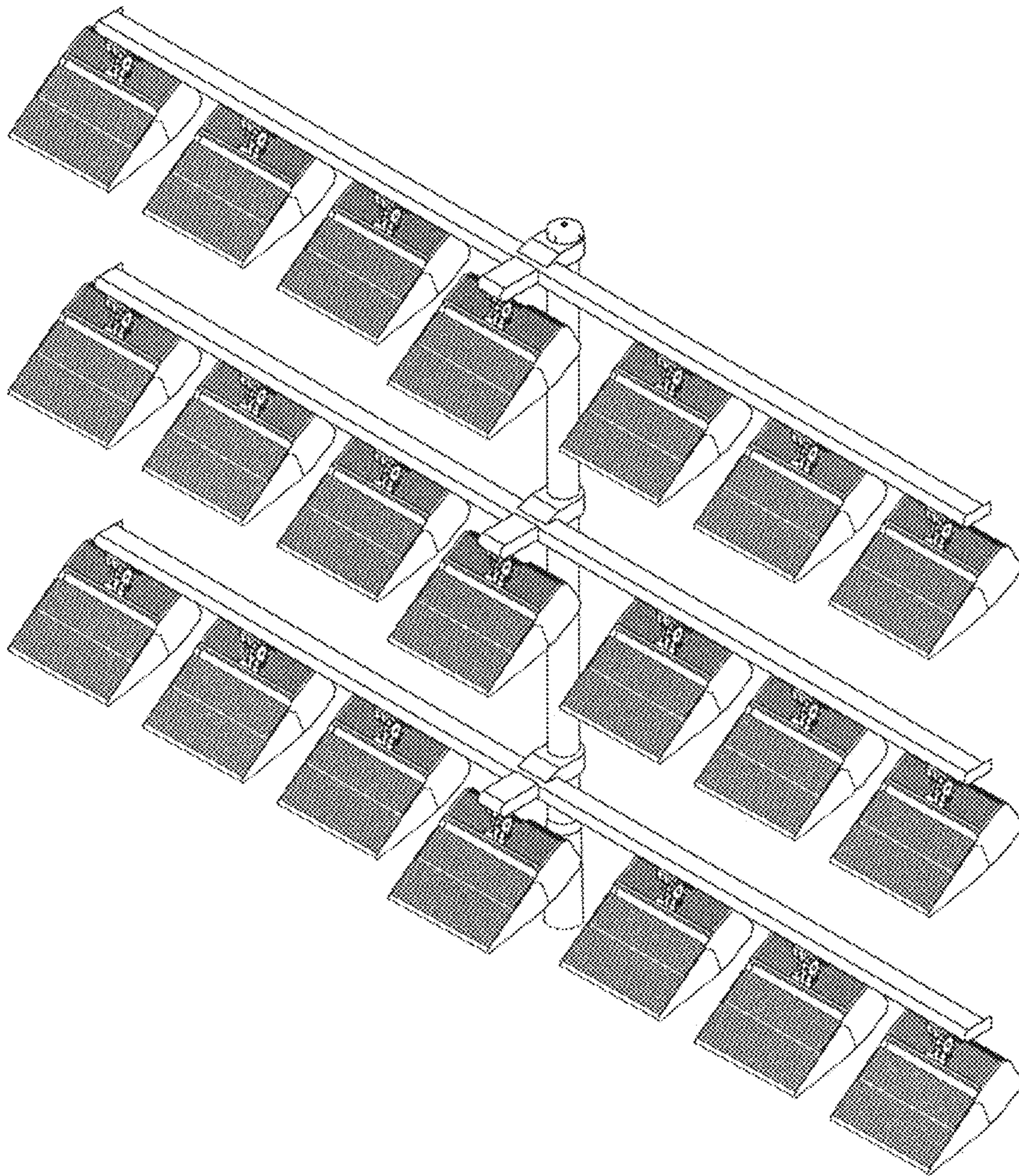


FIG 31

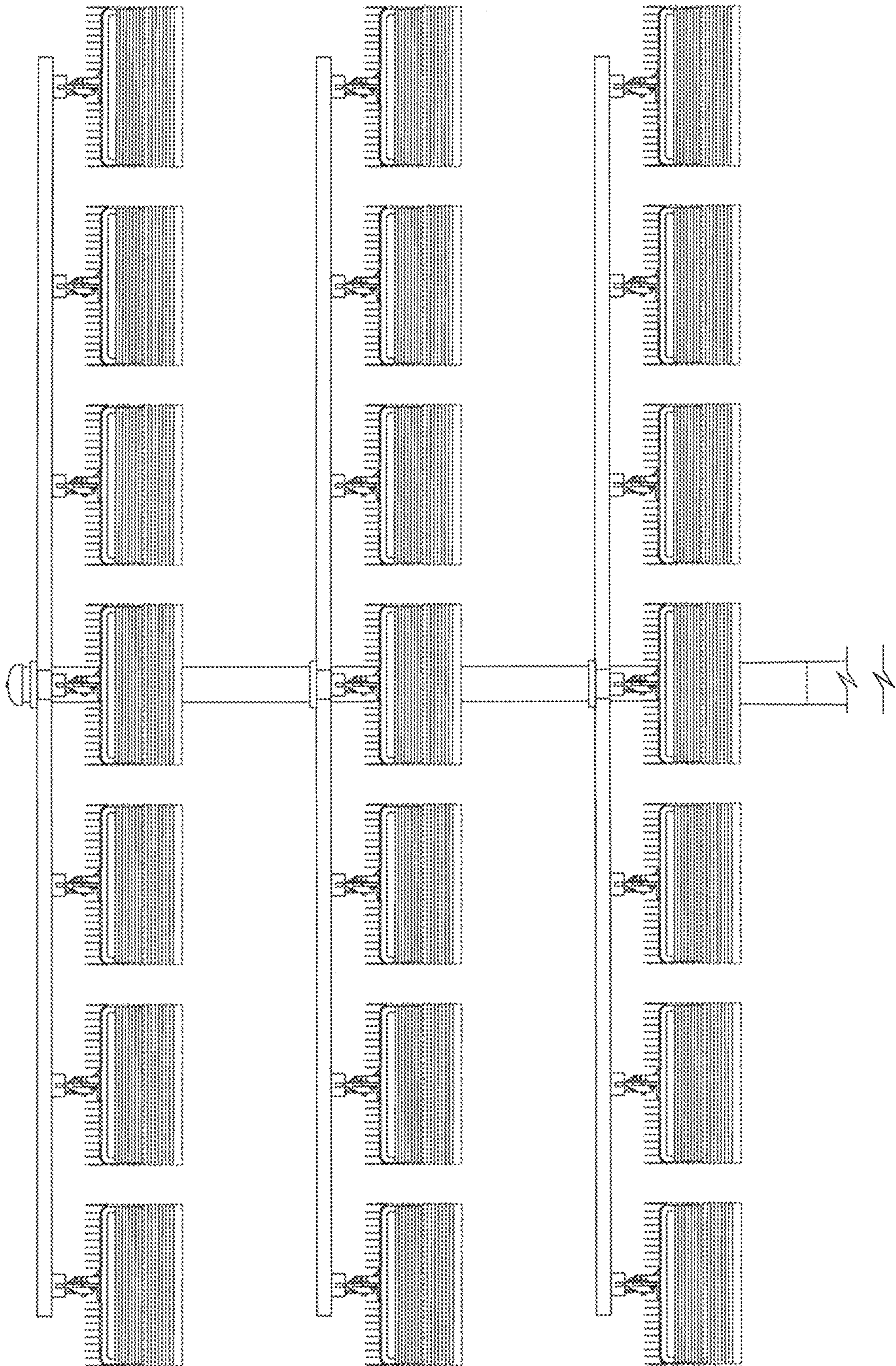


FIG 32

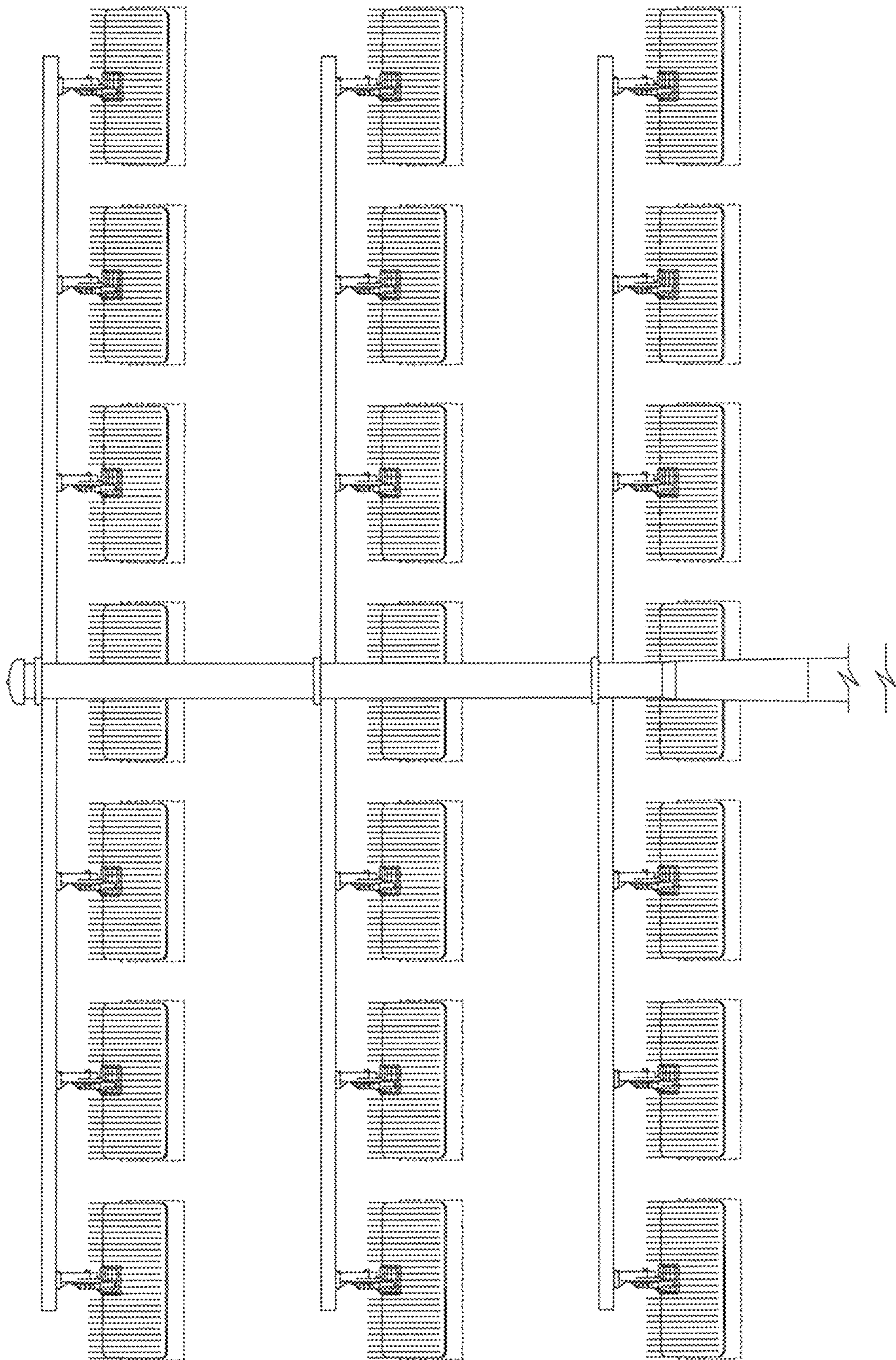


FIG 33

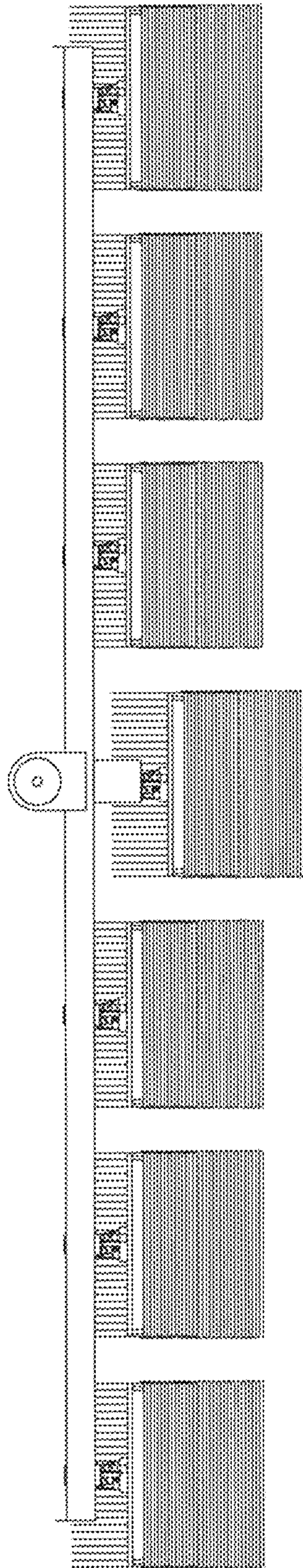


FIG 34

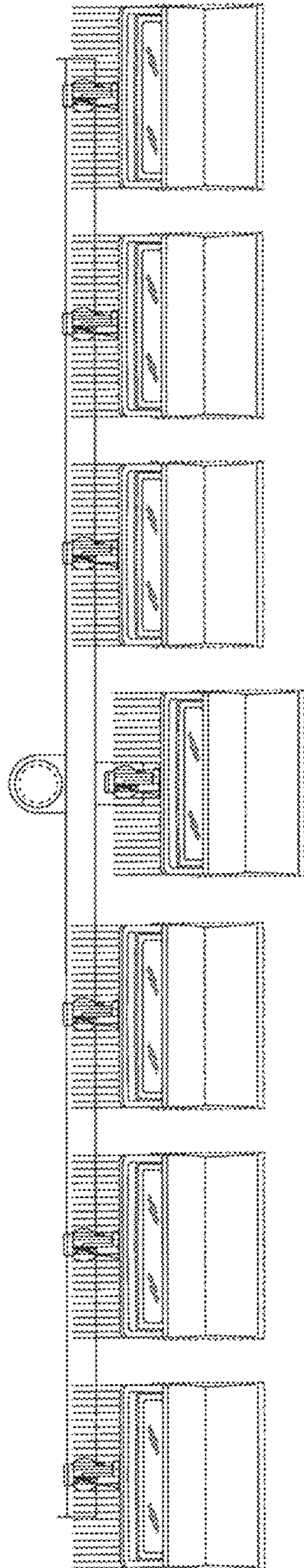


FIG 35

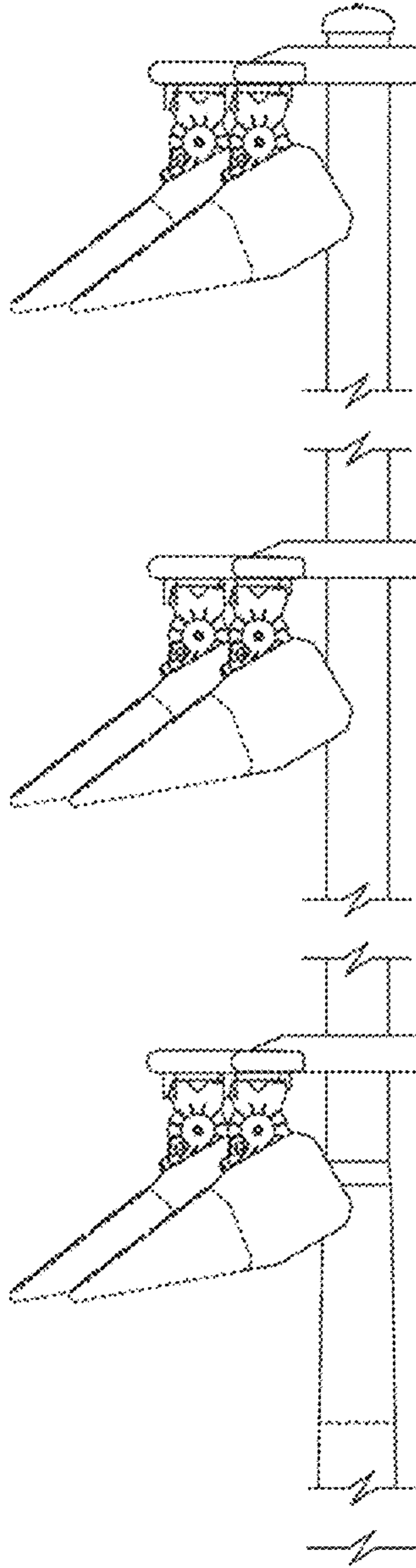


FIG 36

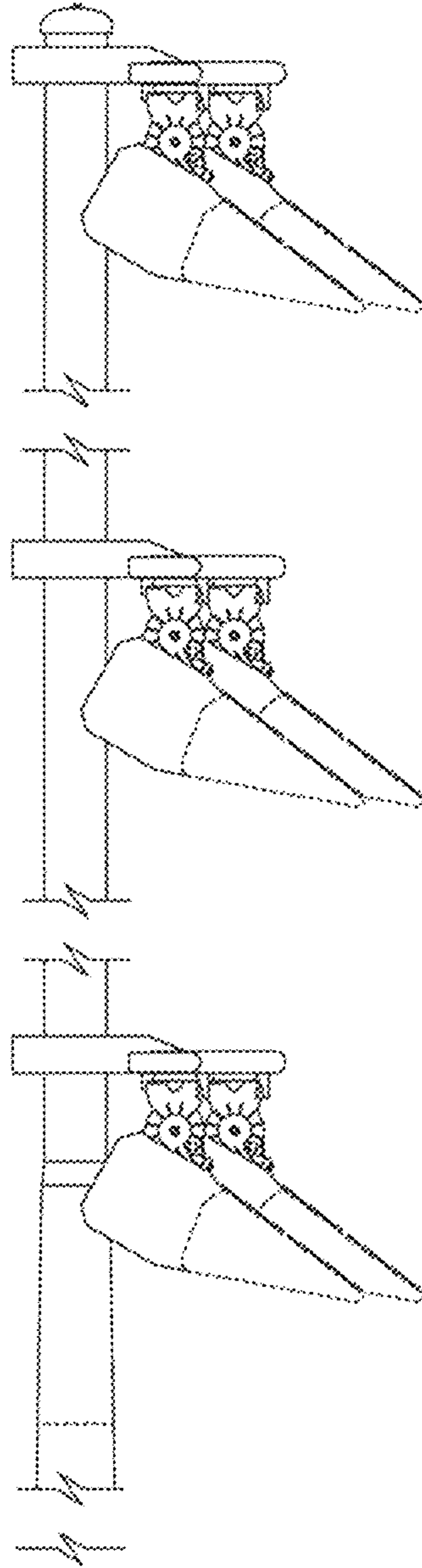


FIG 37

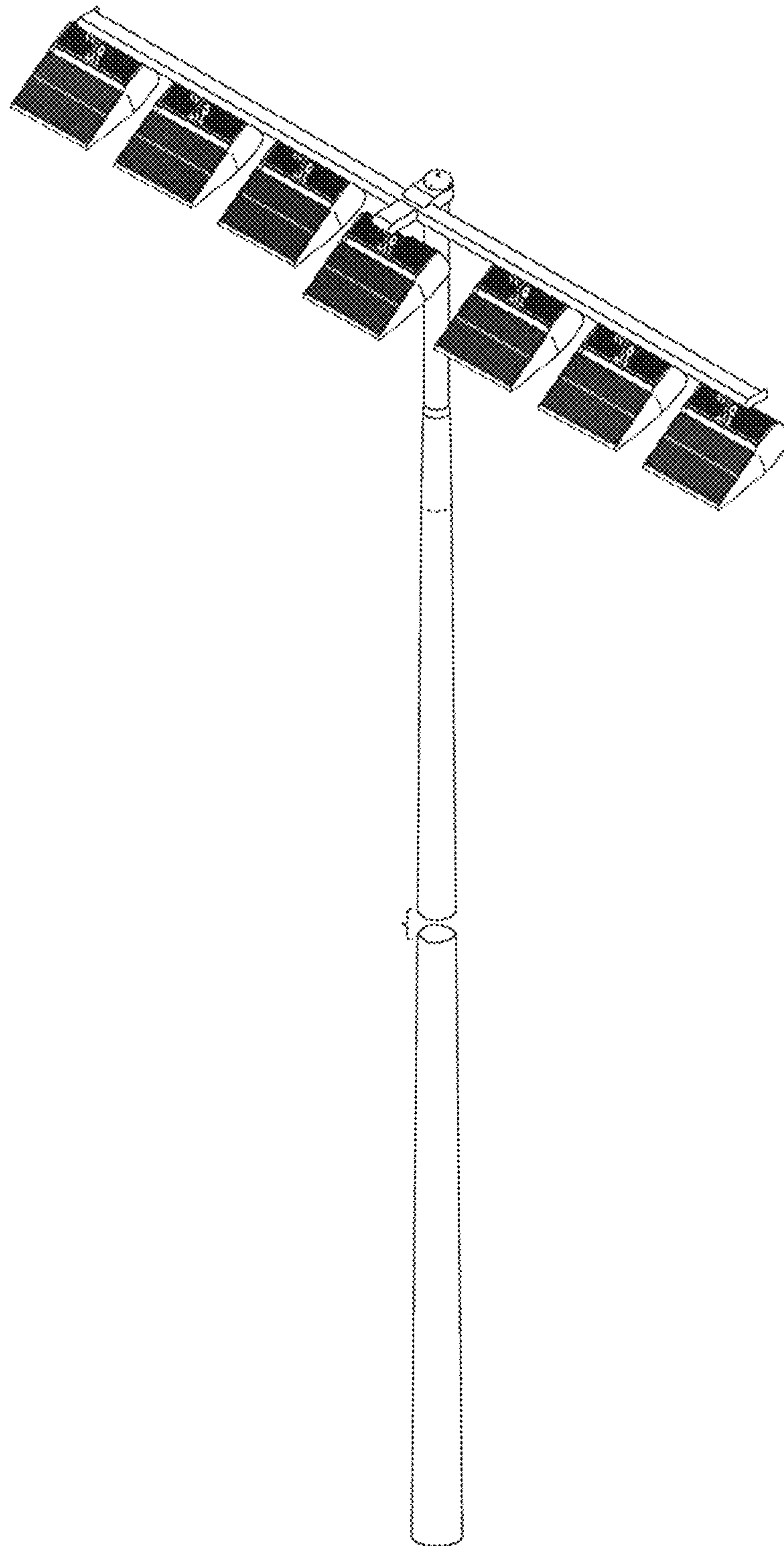


FIG 38

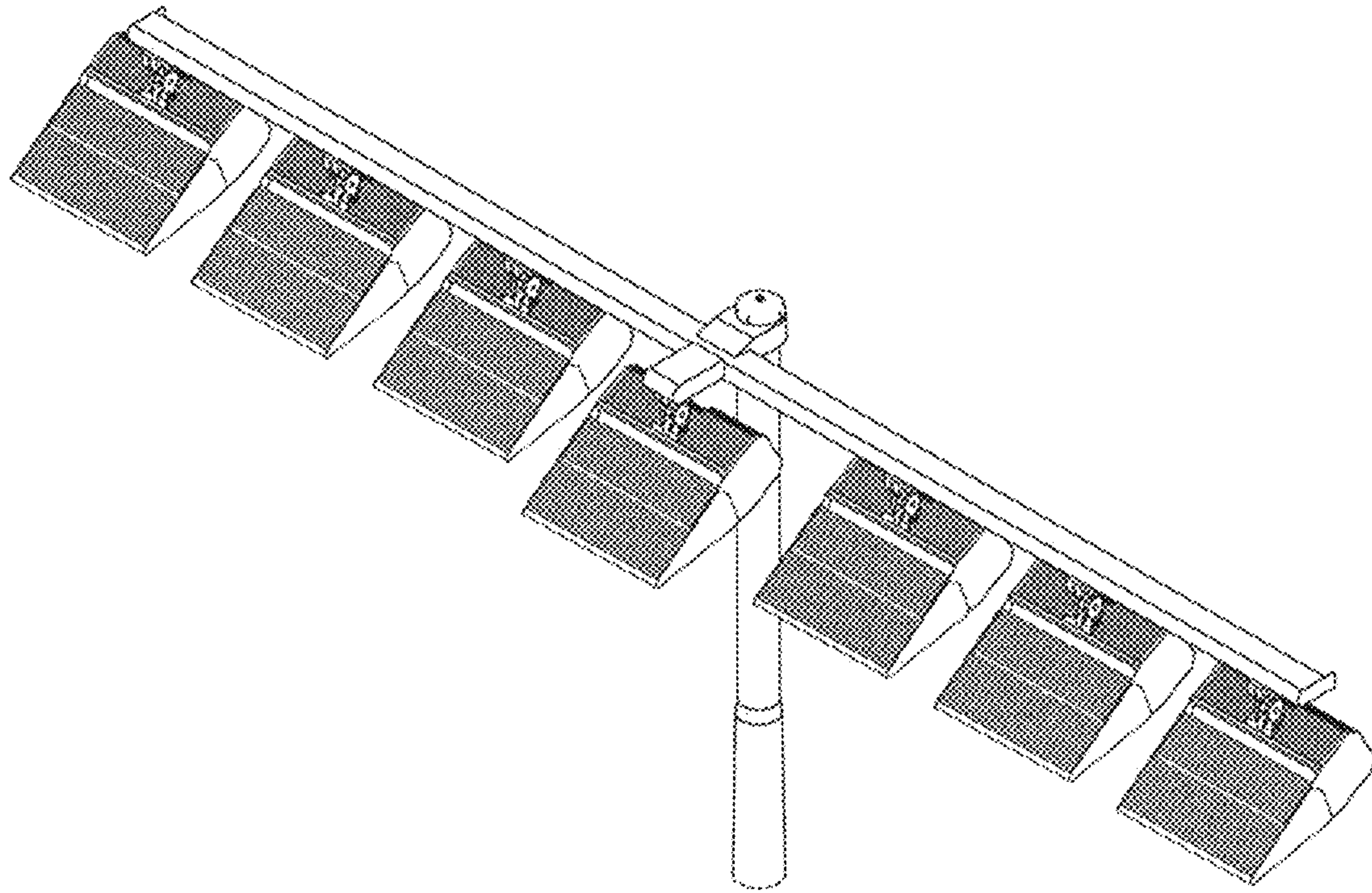


FIG 39

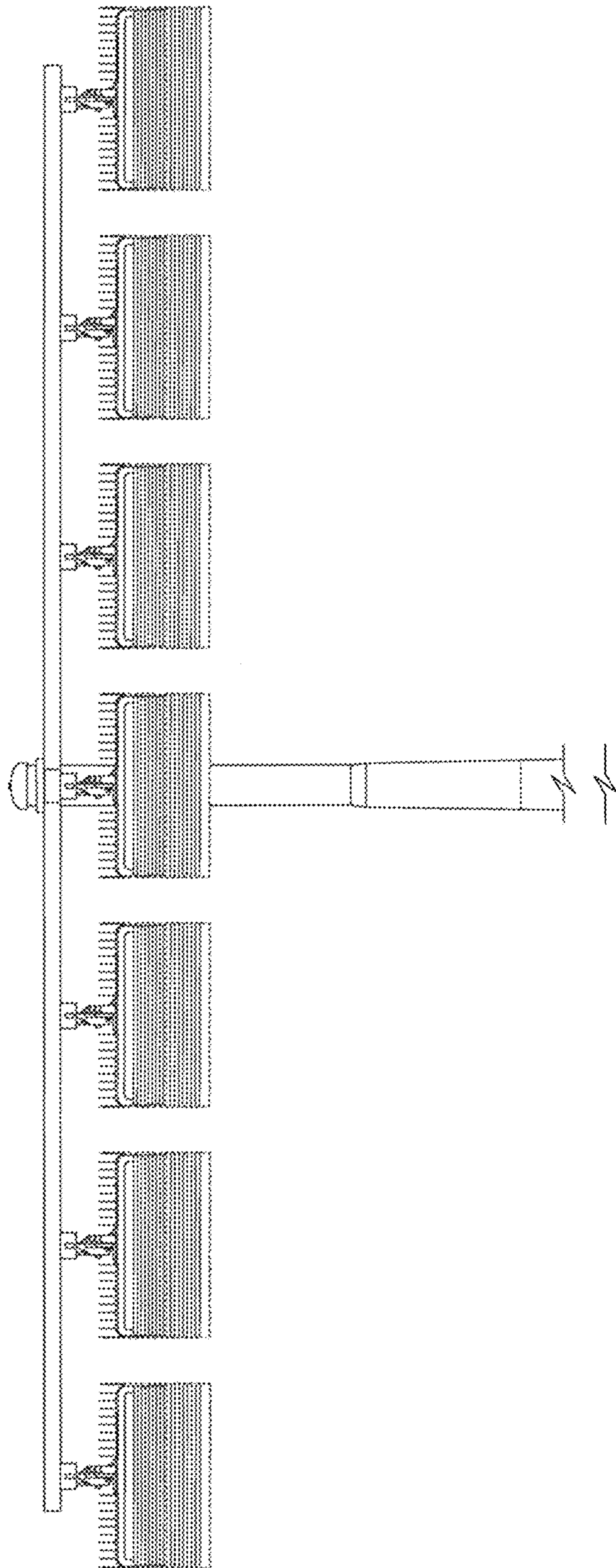


FIG 40

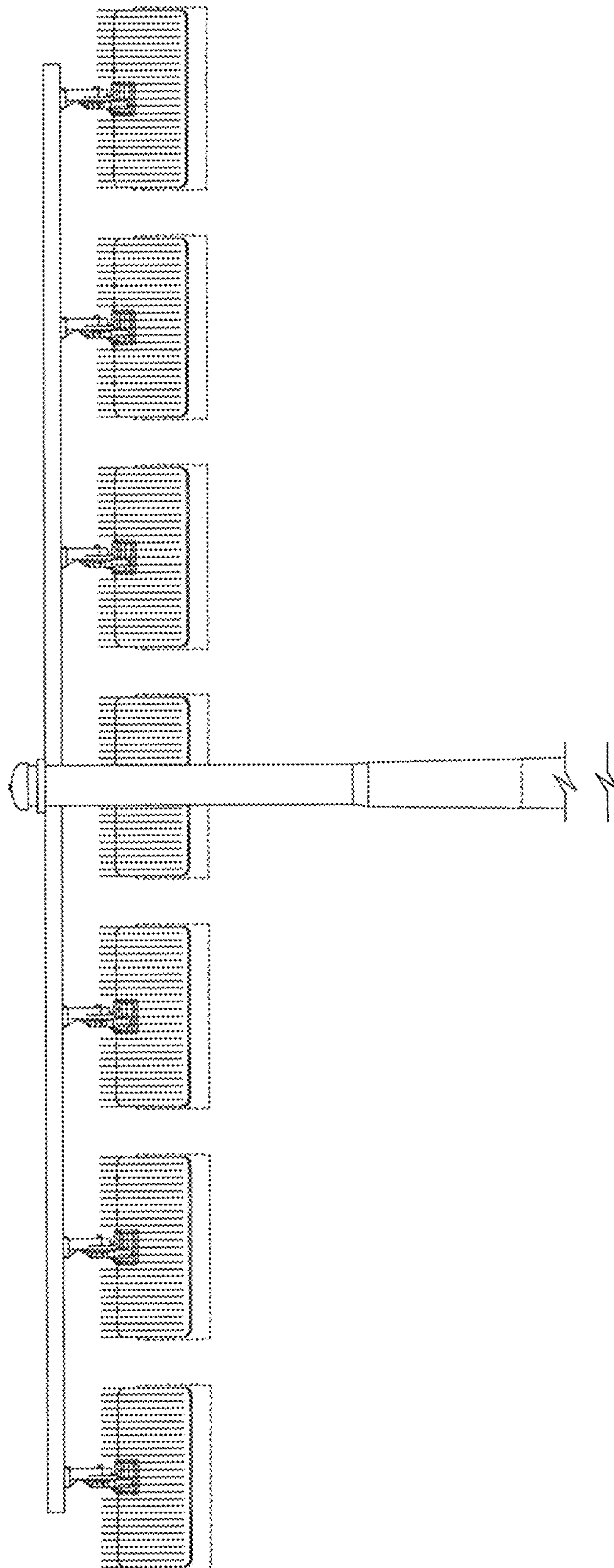


FIG 41

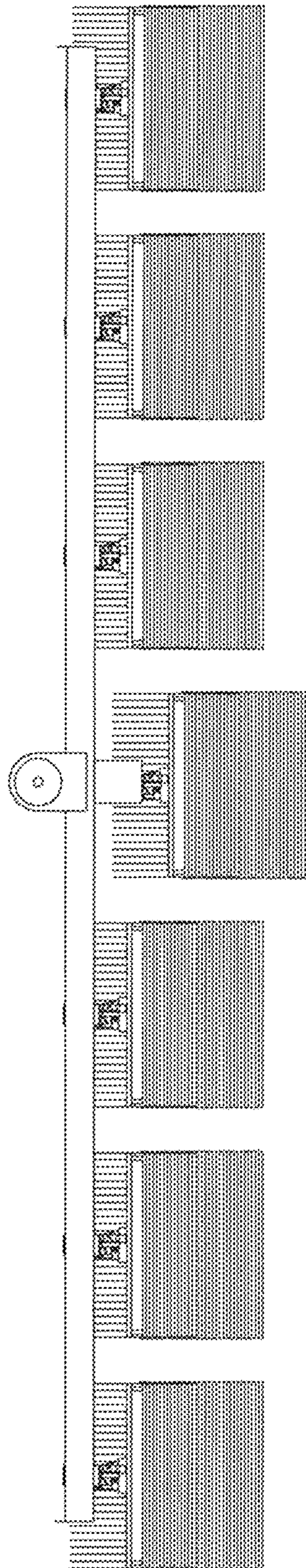


FIG 42

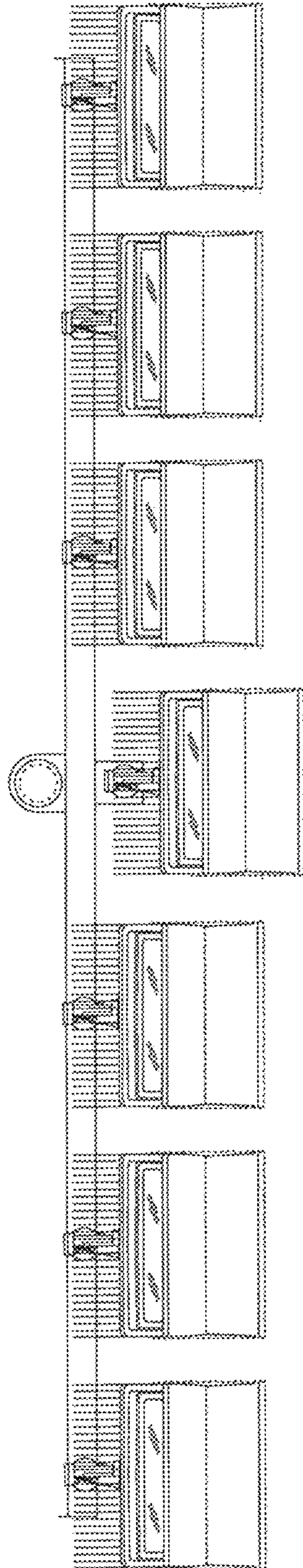


FIG 43

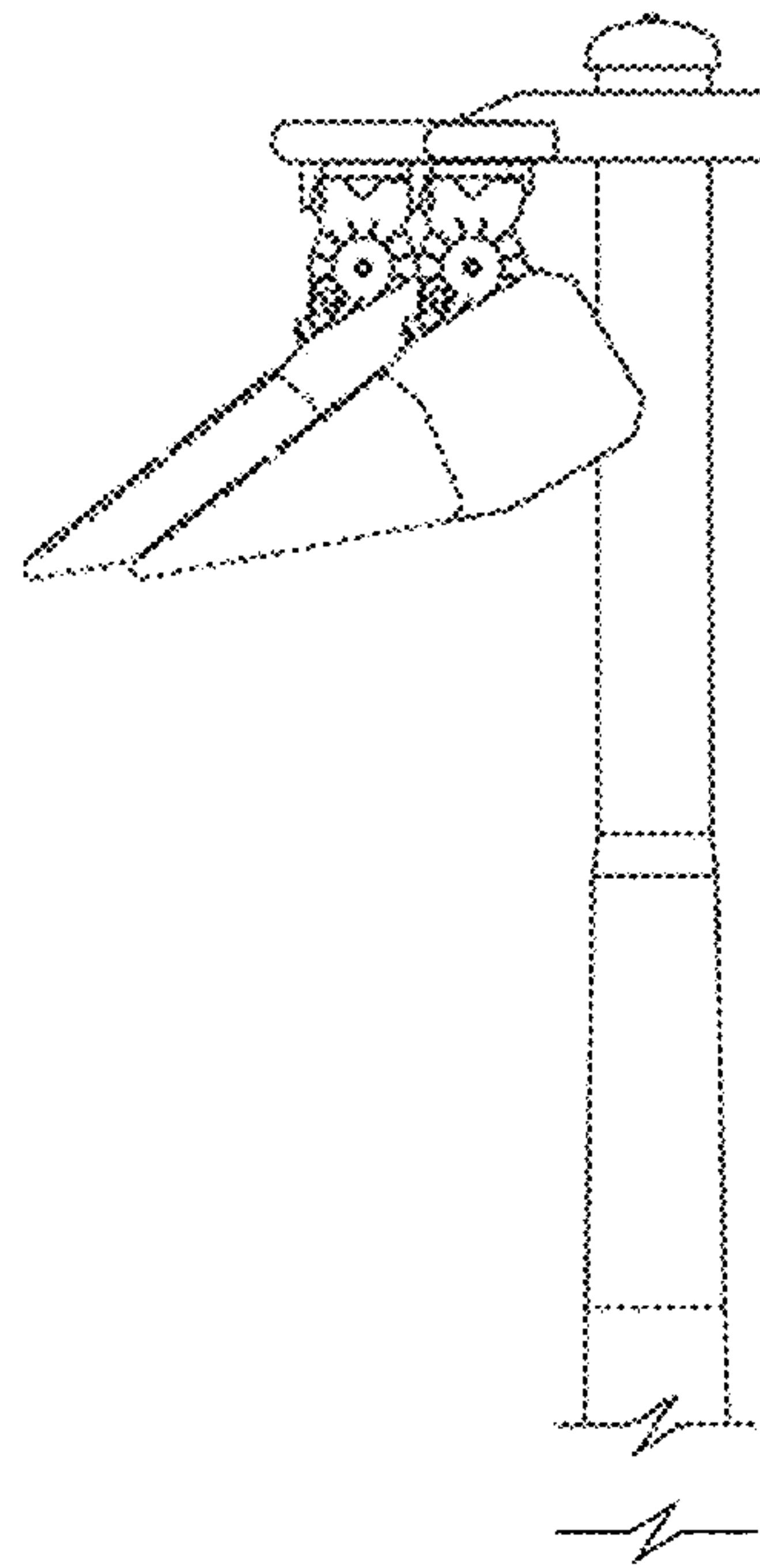


FIG 44

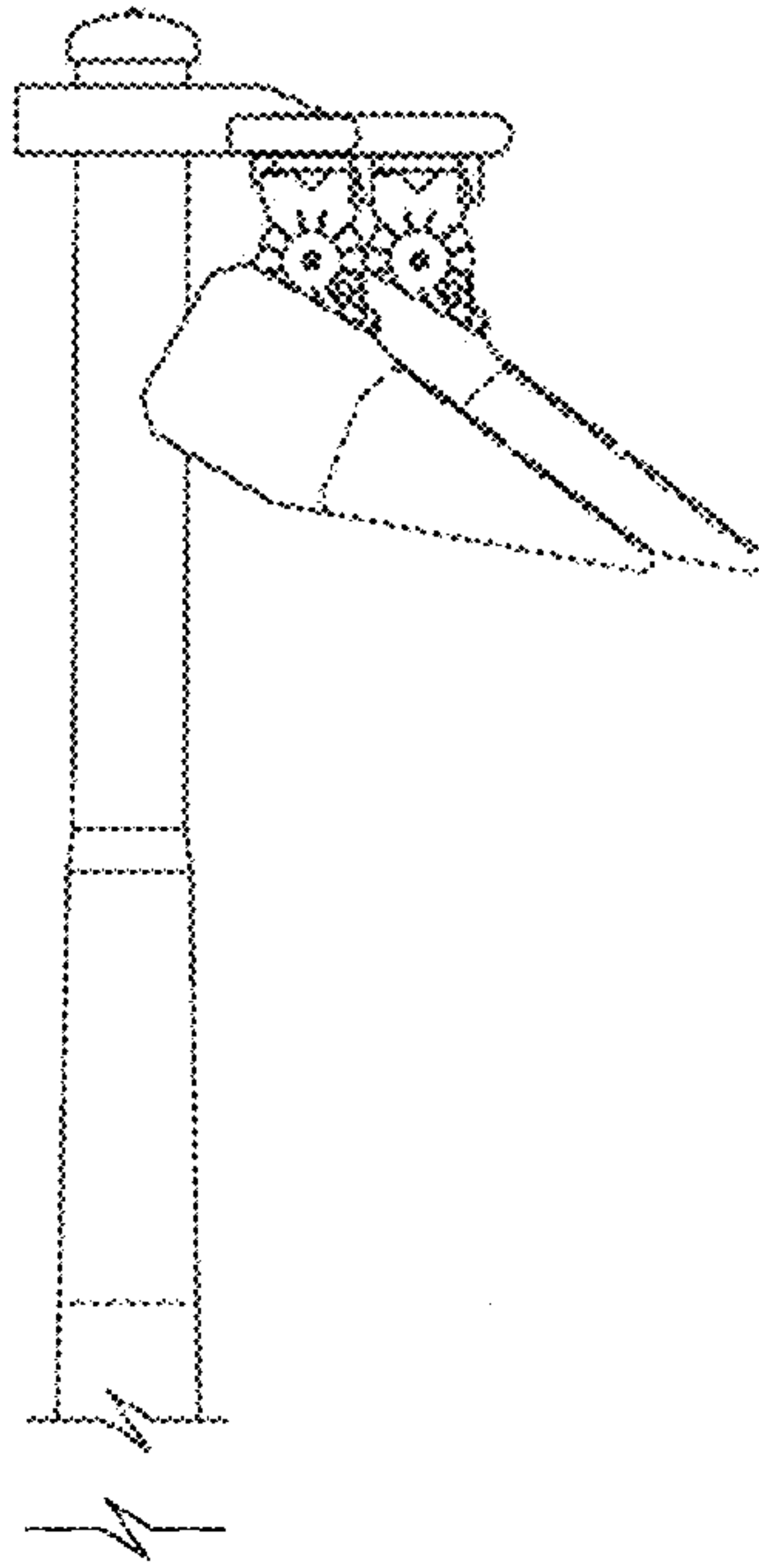


FIG 45

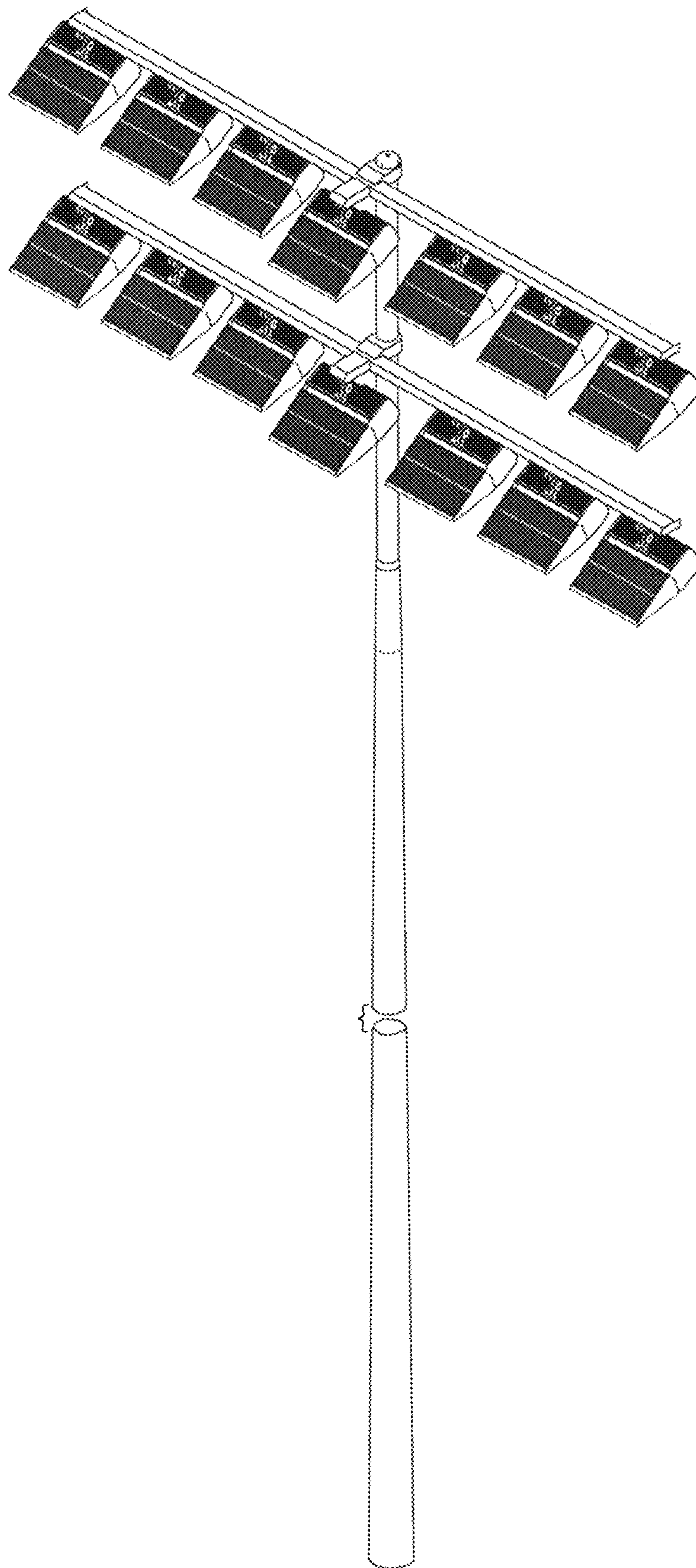


FIG 46

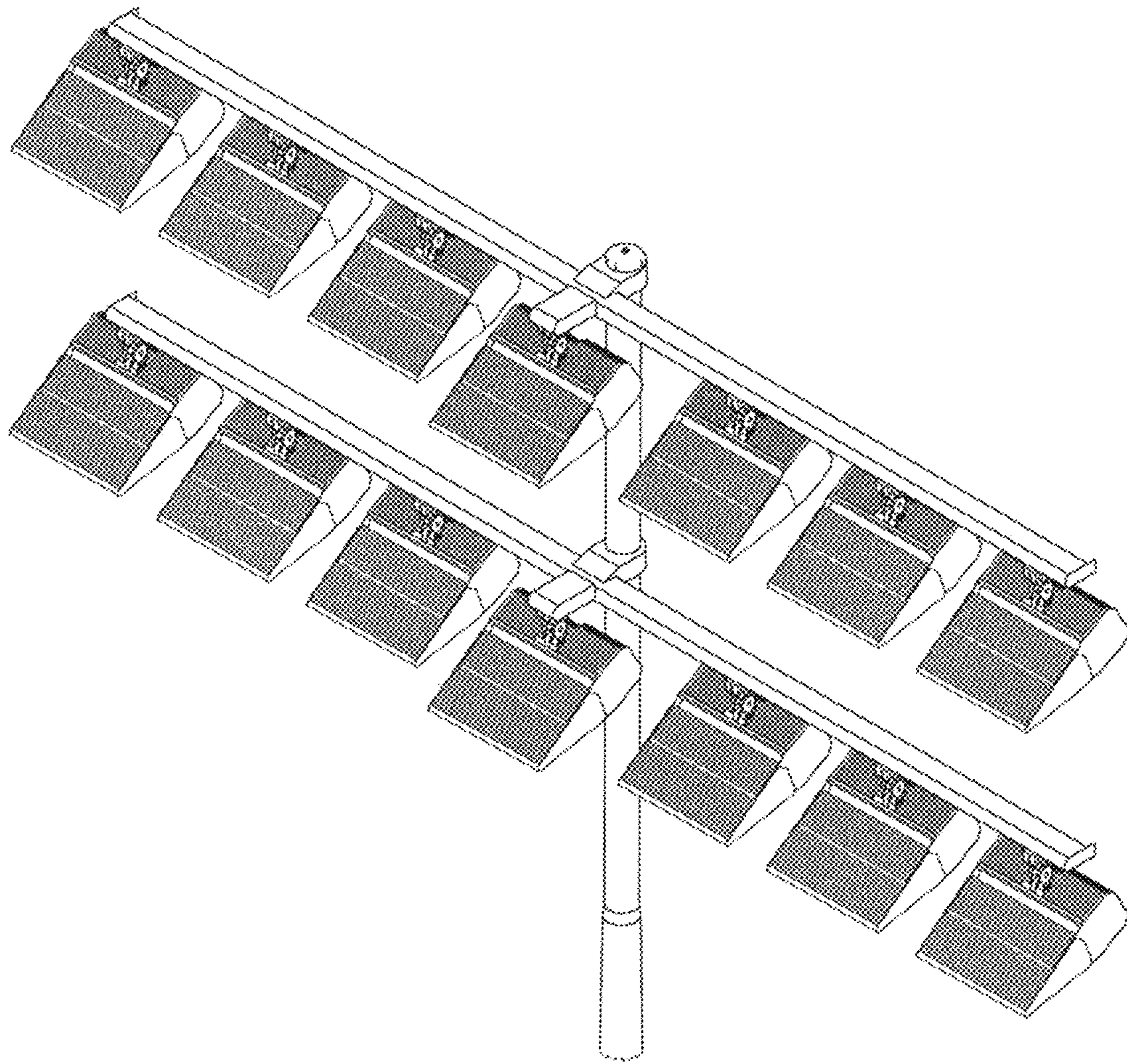


FIG 47

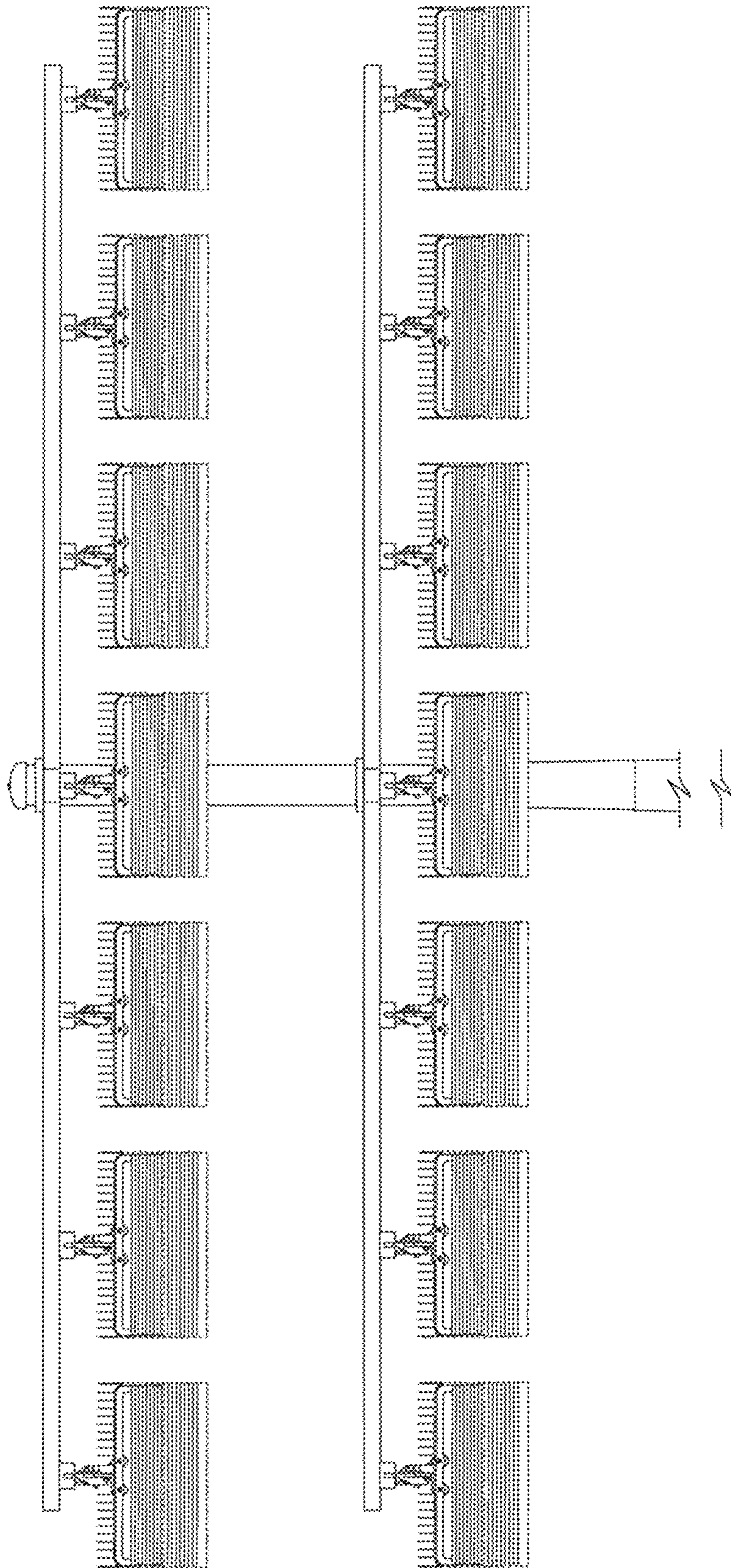


FIG 48

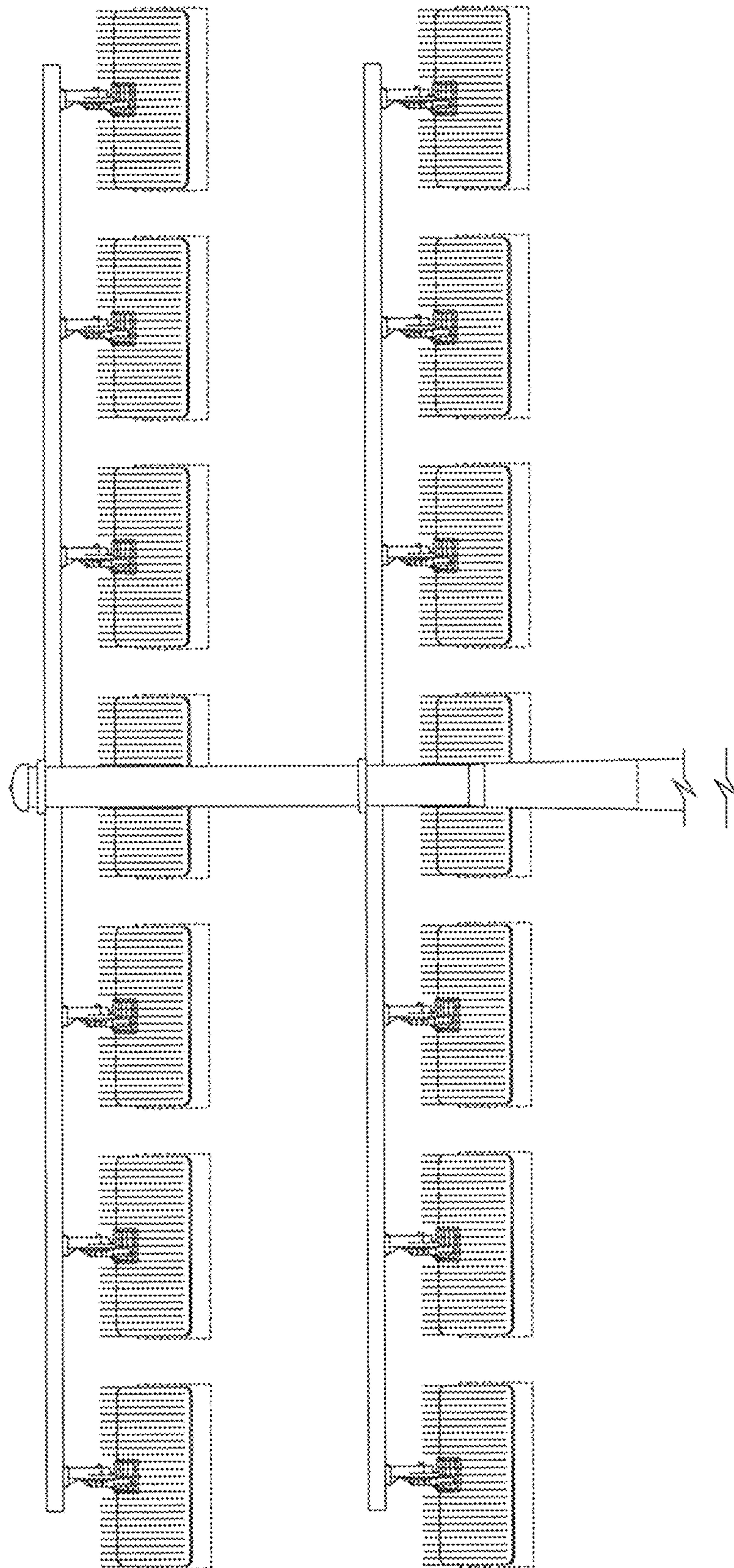


FIG 49

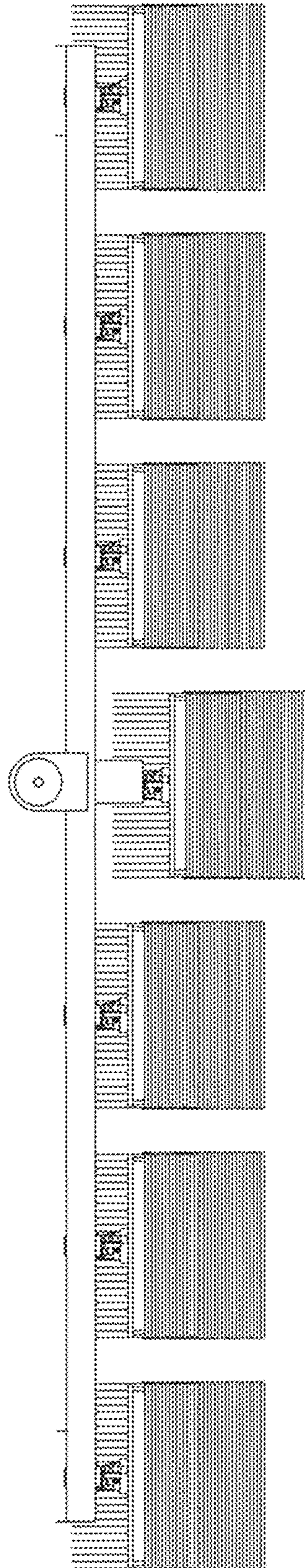


FIG 50

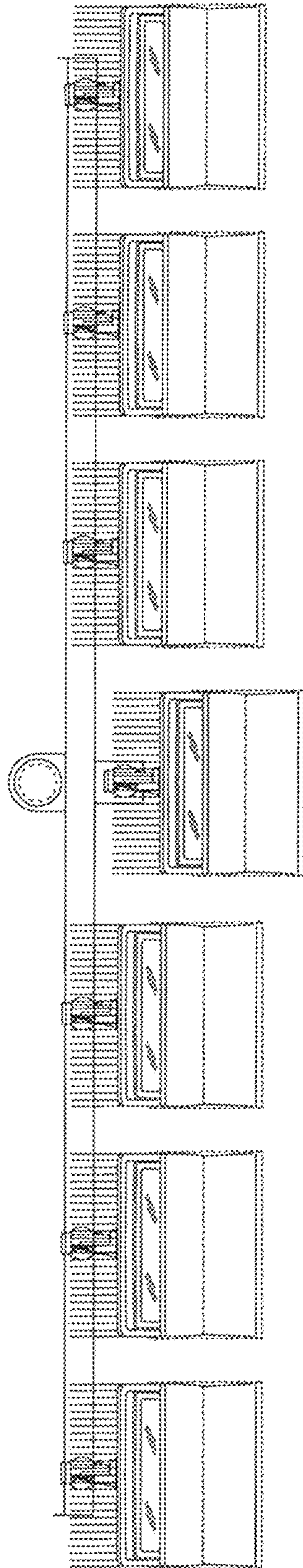


FIG 51

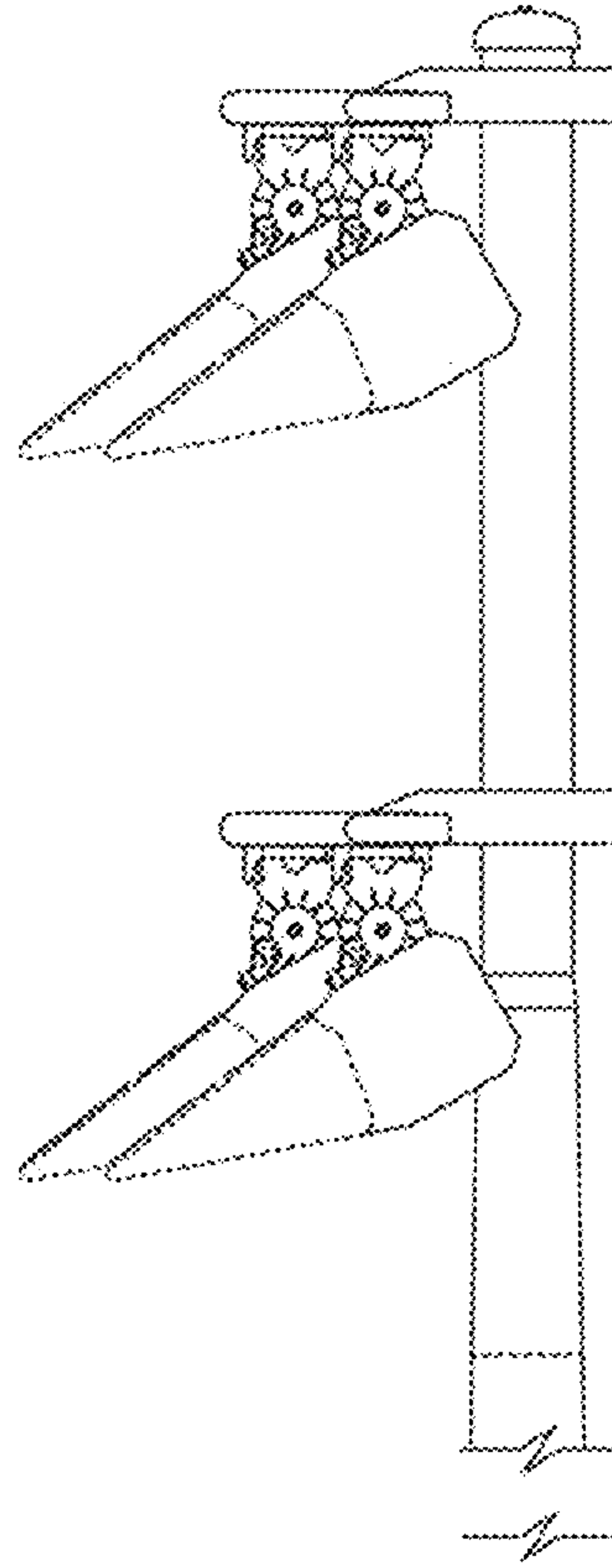


FIG 52

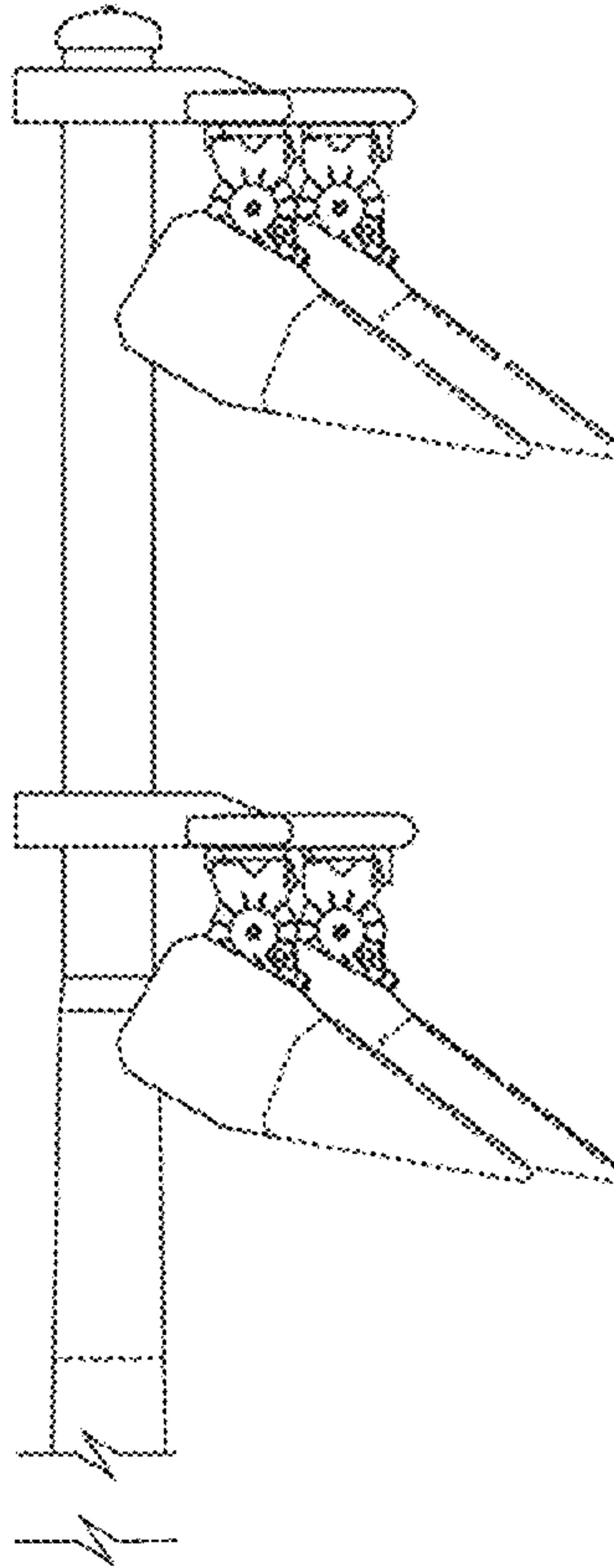


FIG 53

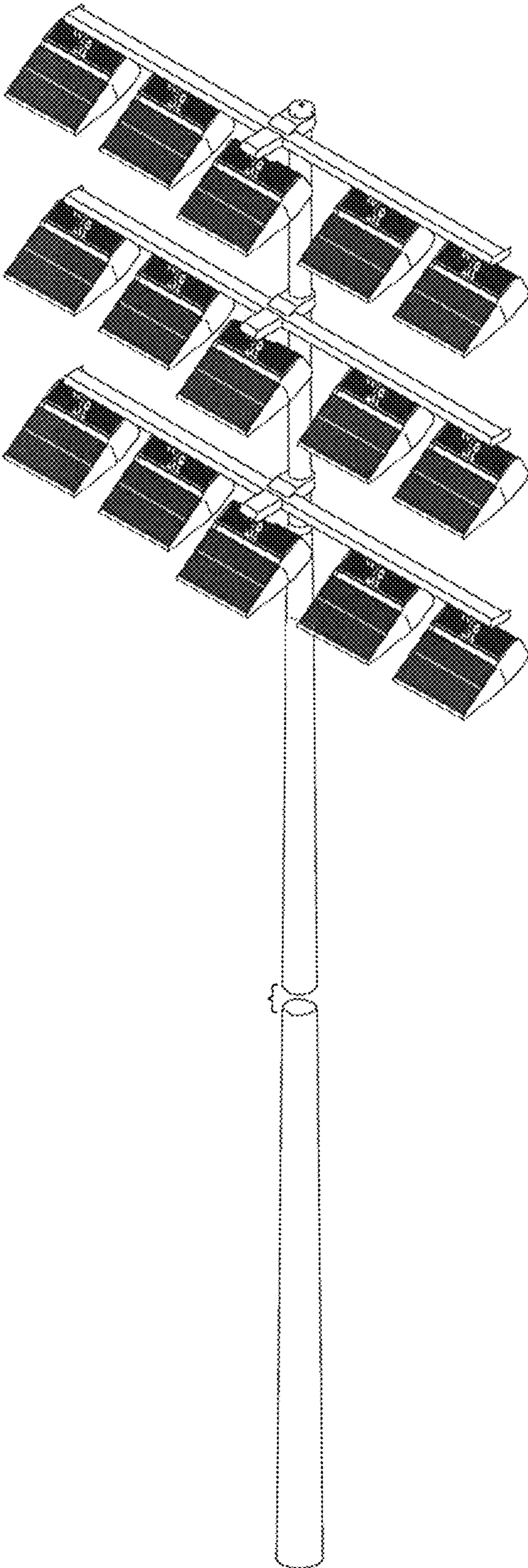


FIG 54

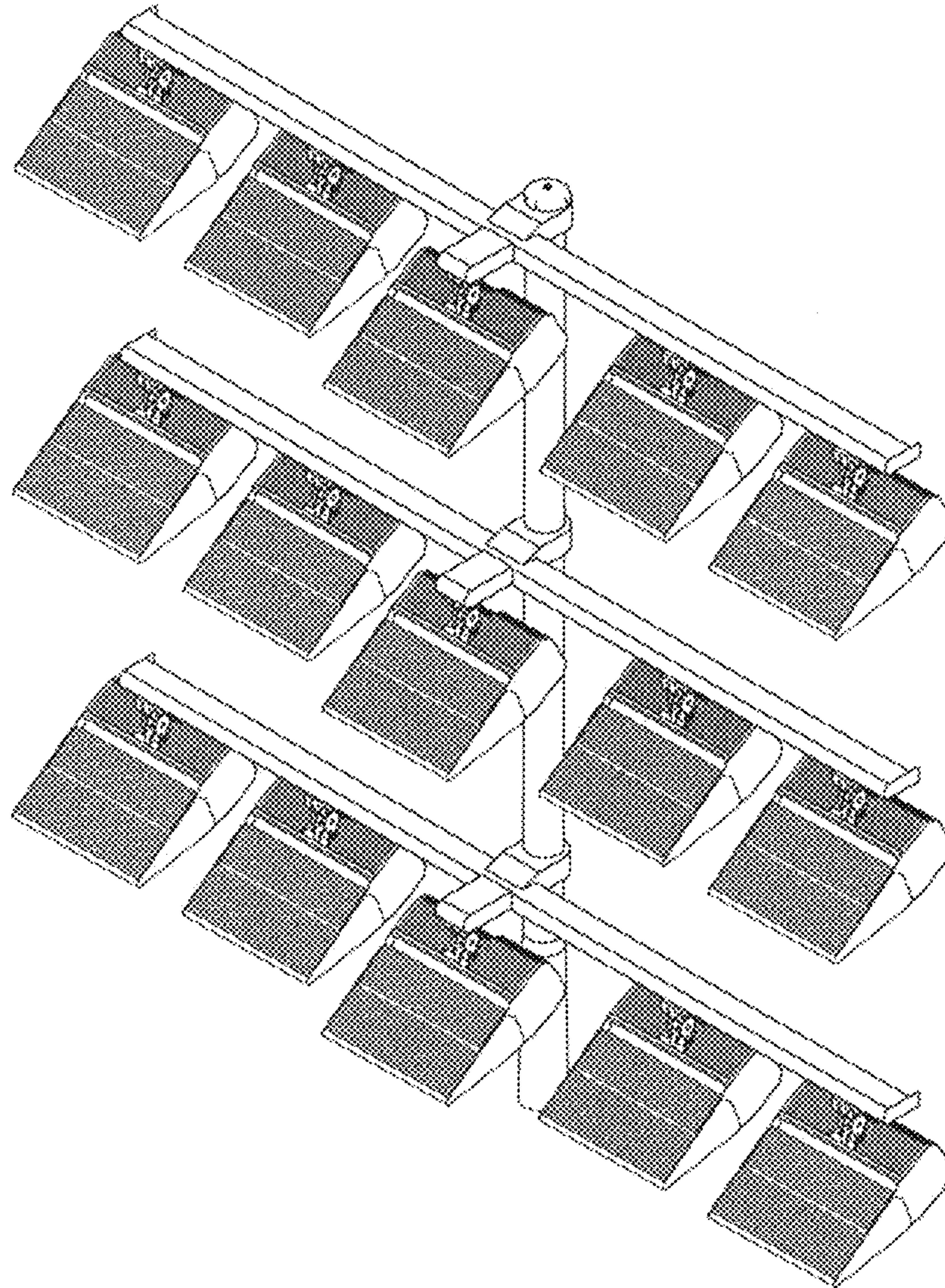


FIG 55

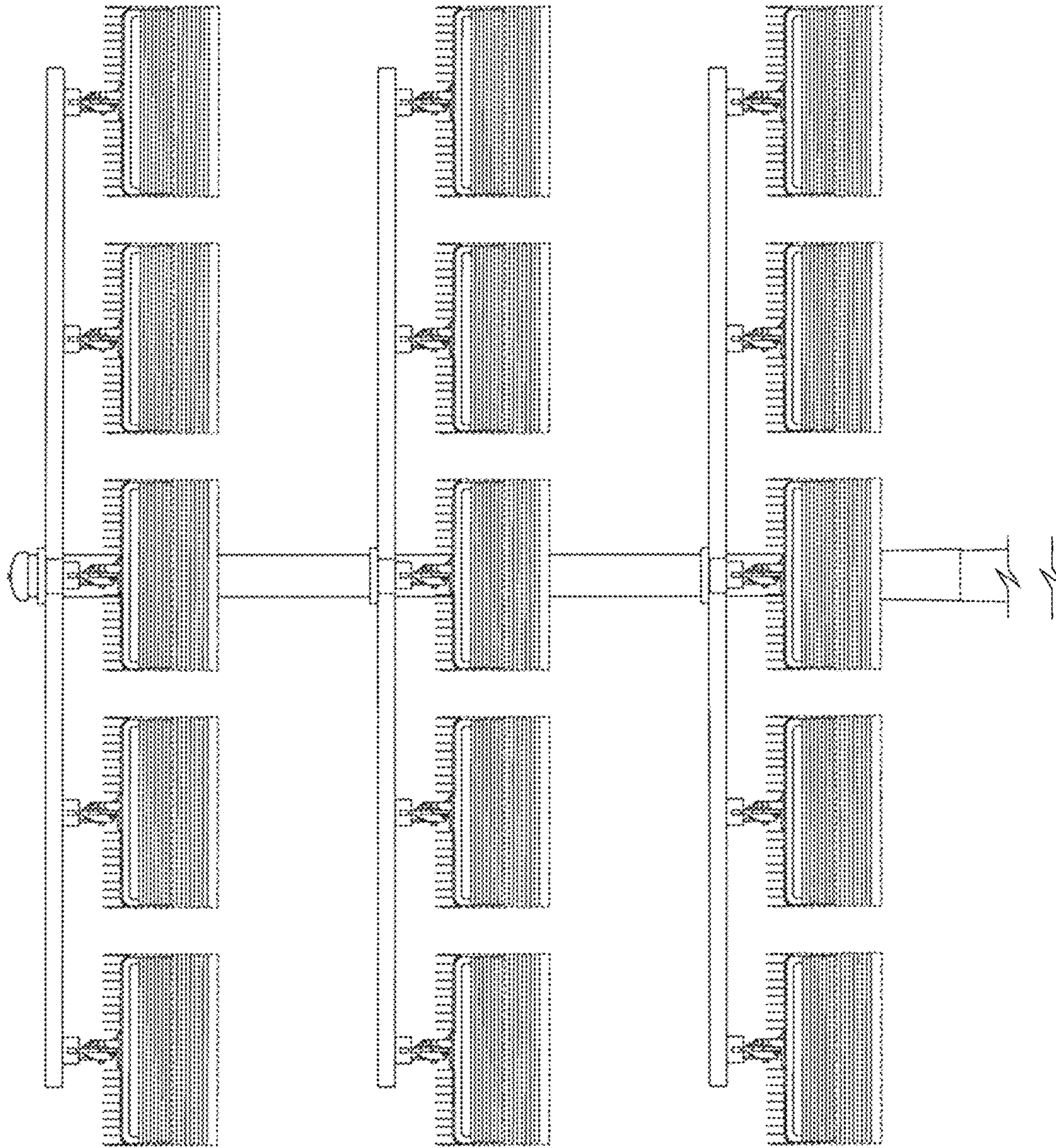


FIG 56

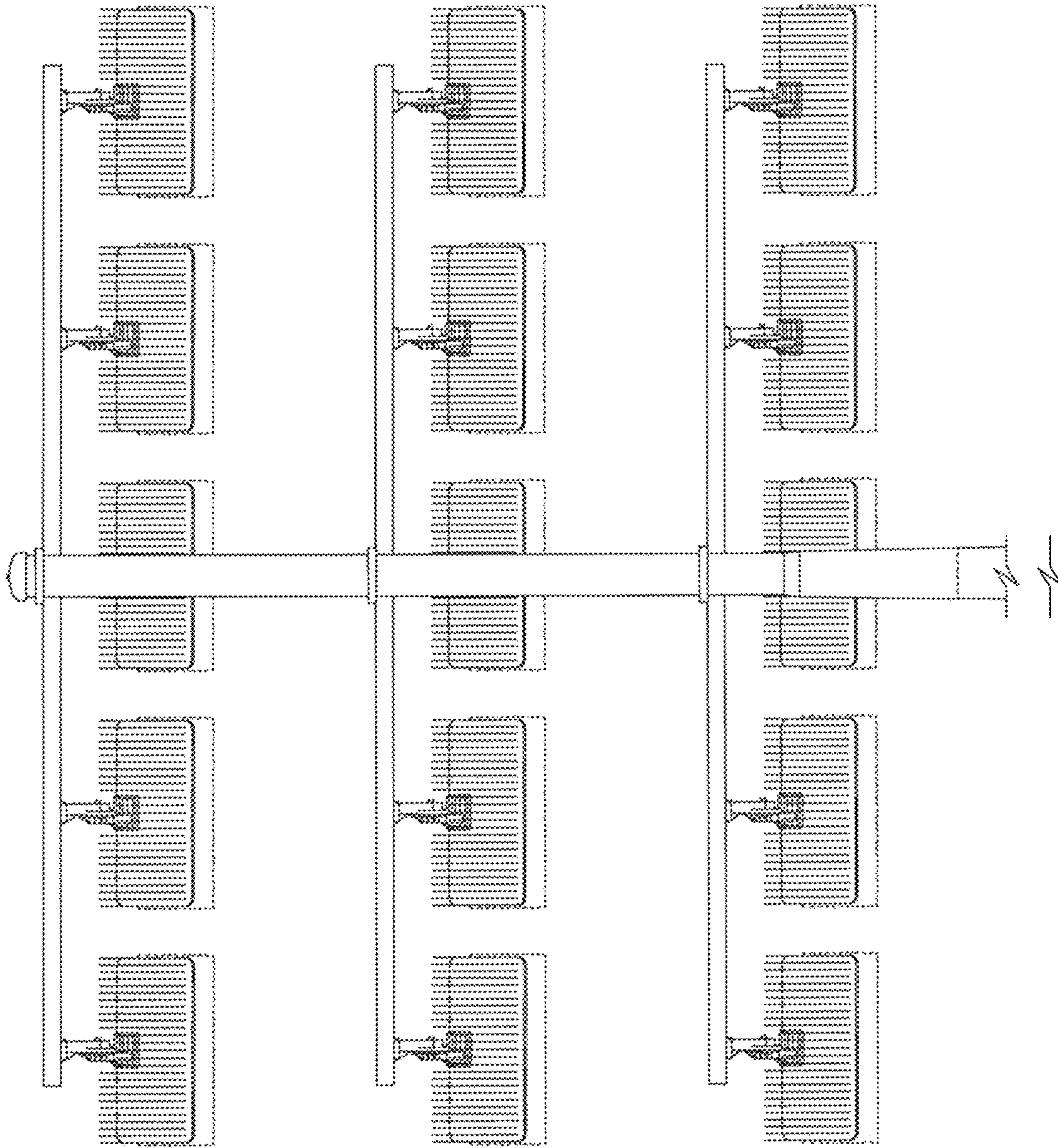


FIG 57

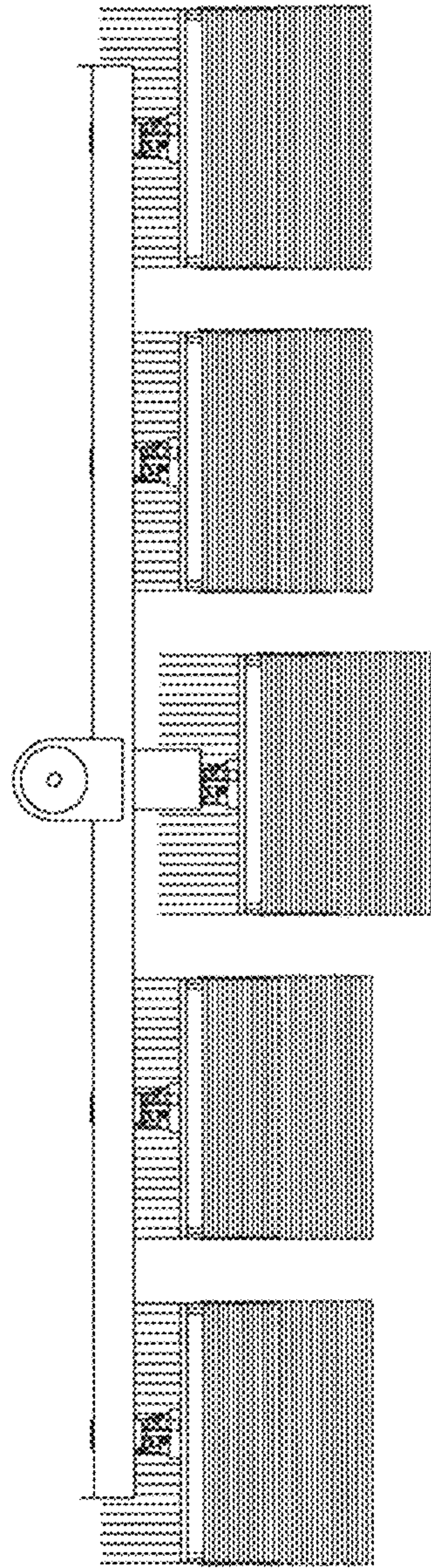


FIG 58

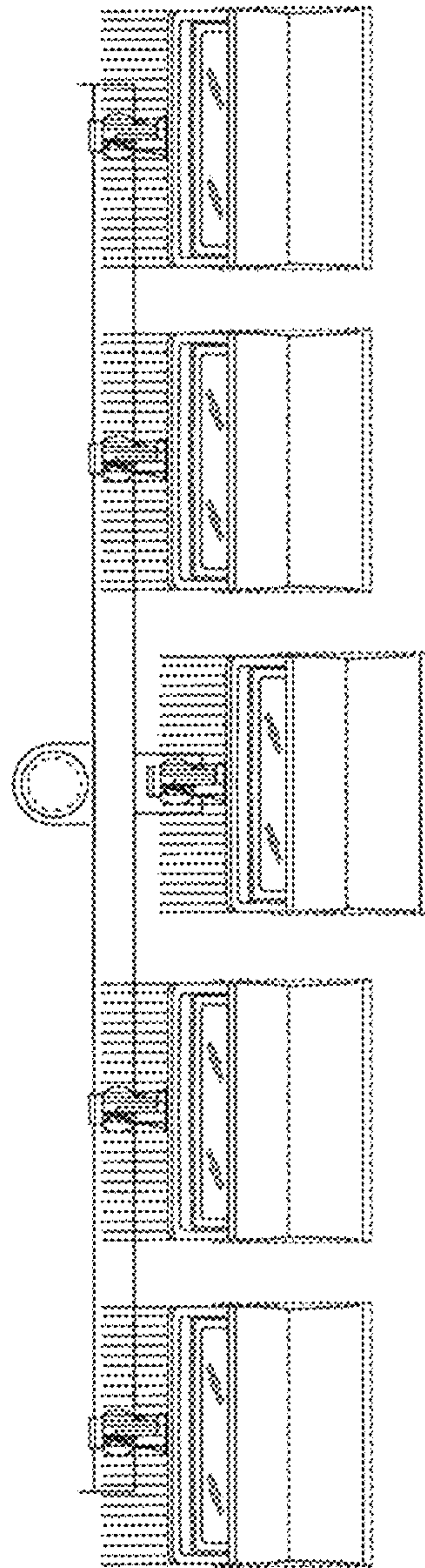


FIG 59

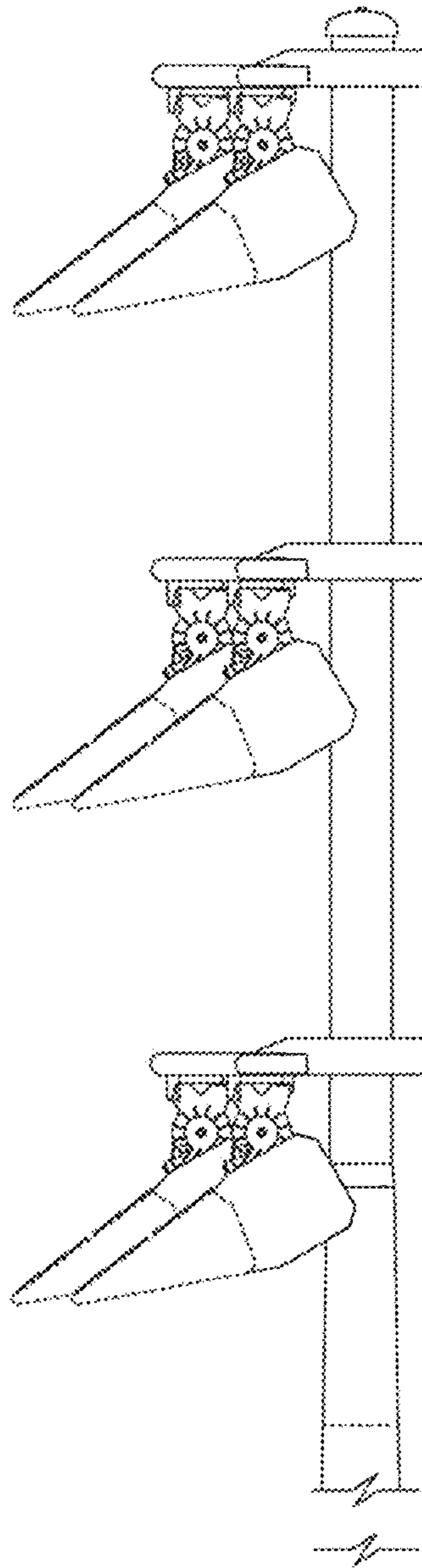


FIG 60

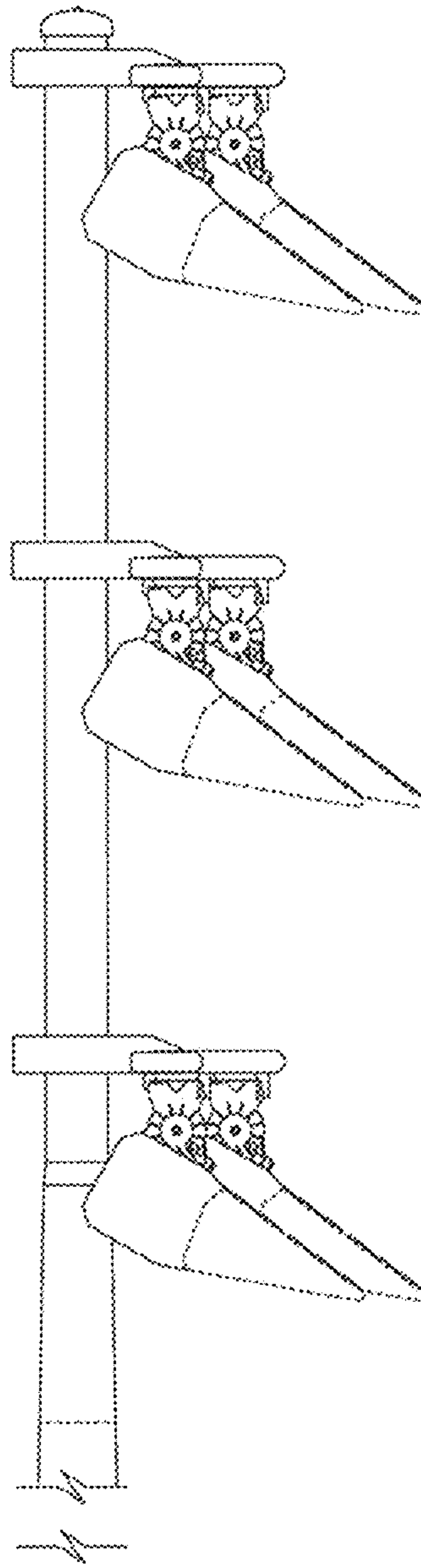


FIG 61

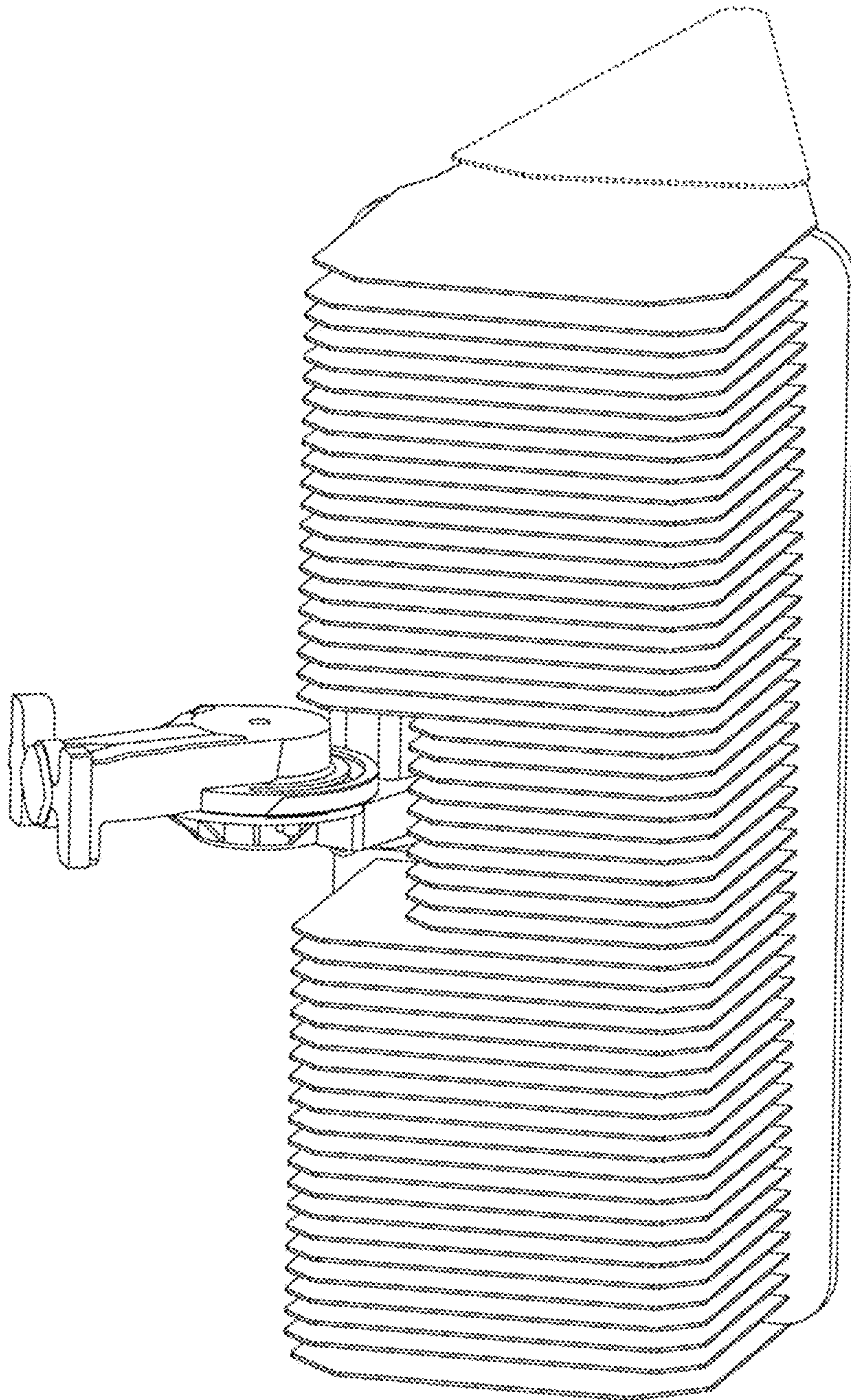


FIG 62

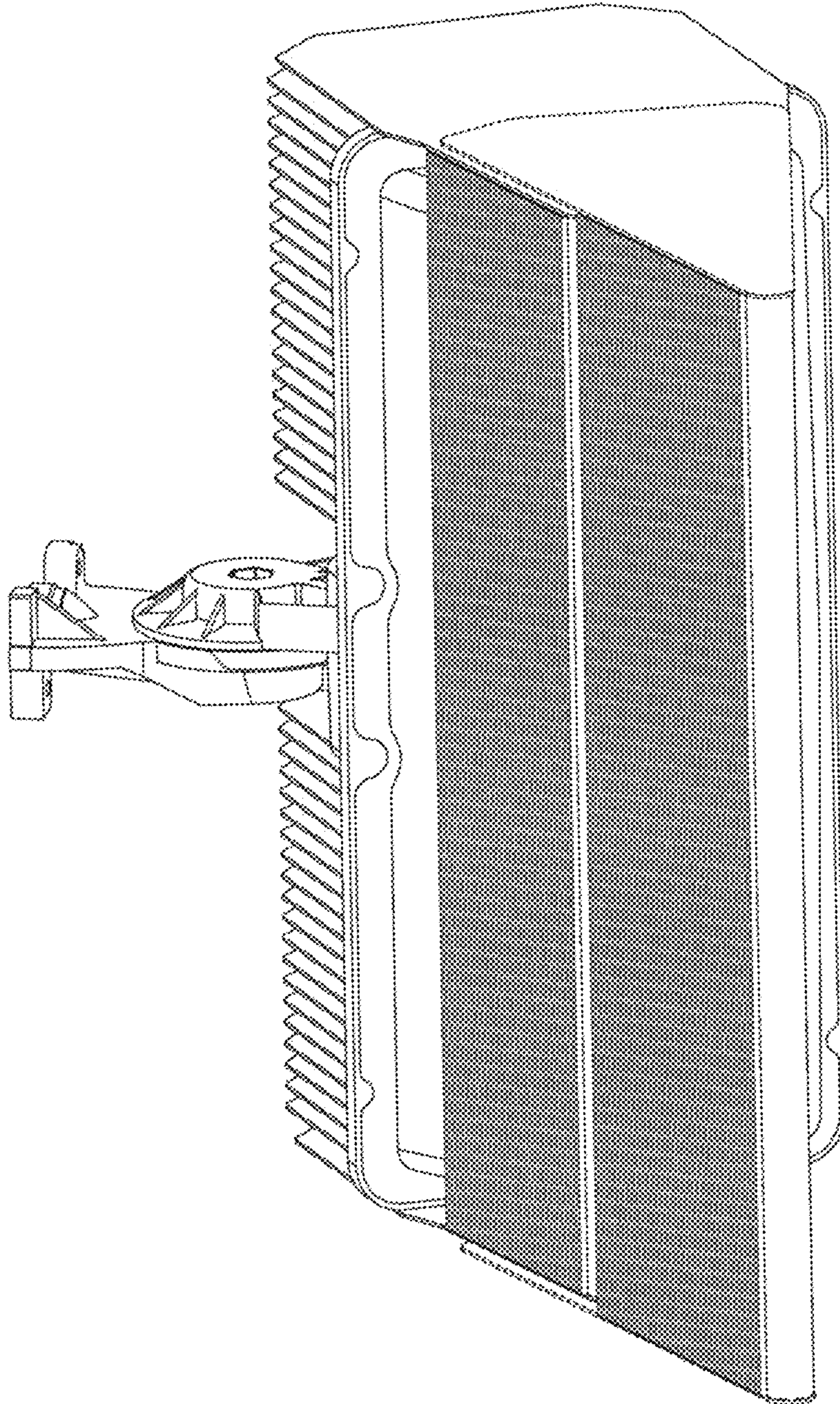


FIG 63