



US00D877951S

(12) **United States Design Patent**
Huang et al.

(10) **Patent No.:** **US D877,951 S**
(45) **Date of Patent:** **** *Mar. 10, 2020**

(54) **LED LUMINAIRE**

(71) Applicant: **HANGZHOU HPWINNER OPTO CORPORATION**, Hangzhou, Zhejiang Province (CN)

(72) Inventors: **Jianming Huang**, Hangzhou (CN); **Kai Chen**, Hangzhou (CN)

(73) Assignee: **Hangzhou Hpwinner Opto Corporation**, Hangzhou, Zhejiang Province (CN)

(*) Notice: This patent is subject to a terminal disclaimer.

(**) Term: **15 Years**

(21) Appl. No.: **29/646,464**

(22) Filed: **May 4, 2018**

(30) **Foreign Application Priority Data**

Mar. 15, 2018 (CN) 2018 3 0096348

(51) **LOC (12) Cl.** **26-03**

(52) **U.S. Cl.**
USPC **D26/63**

(58) **Field of Classification Search**
USPC D26/24, 60–66, 72, 76–78, 80, 81, 83, D26/85–87, 92, 102, 113, 138, 142
CPC F21L 4/00; F21S 2/00; F21S 2/04; F21V 1/00; F21V 3/02; F21V 5/04; F21V 15/01; F21V 19/00; F21V 21/00; F21V 21/06

See application file for complete search history.

(56) **References Cited**

U.S. PATENT DOCUMENTS

D596,777 S * 7/2009 Gordin D26/63
D611,635 S * 3/2010 Gordin D26/63

D645,594 S * 9/2011 Grawe D26/63
D650,505 S * 12/2011 Oka D26/63
D689,234 S * 9/2013 Zhang D26/72
D690,857 S * 10/2013 Blincoe D26/63
D712,581 S * 9/2014 Scarlata D26/65
D713,983 S * 9/2014 Yang D26/63
D776,320 S * 1/2017 Bobel D26/63
D782,718 S * 3/2017 Ko D26/63
10,240,757 B1 * 3/2019 Li F21V 19/02
2013/0027917 A1 * 1/2013 Luo F21V 25/12
362/157
2015/0198310 A1 * 7/2015 Scarlata F21V 29/507
362/249.01
2019/0056076 A1 * 2/2019 Thomas F21V 15/01
2019/0101273 A1 * 4/2019 Kuenzler F21S 10/023

* cited by examiner

Primary Examiner — Angela J Lee

Assistant Examiner — Shawn T Gingrich

(74) *Attorney, Agent, or Firm* — Muncy, Geissler, Olds & Lowe, P.C.

(57) **CLAIM**

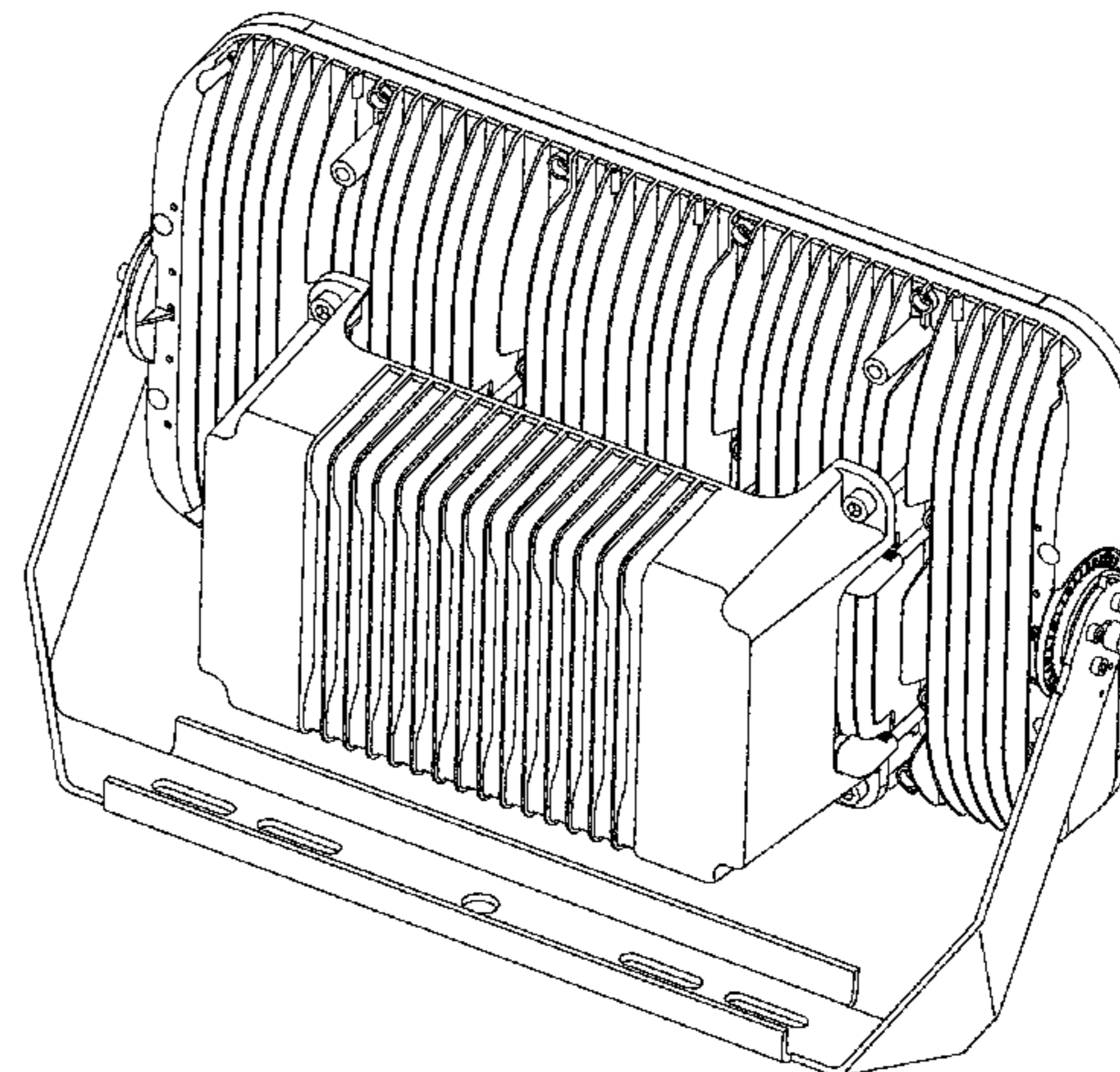
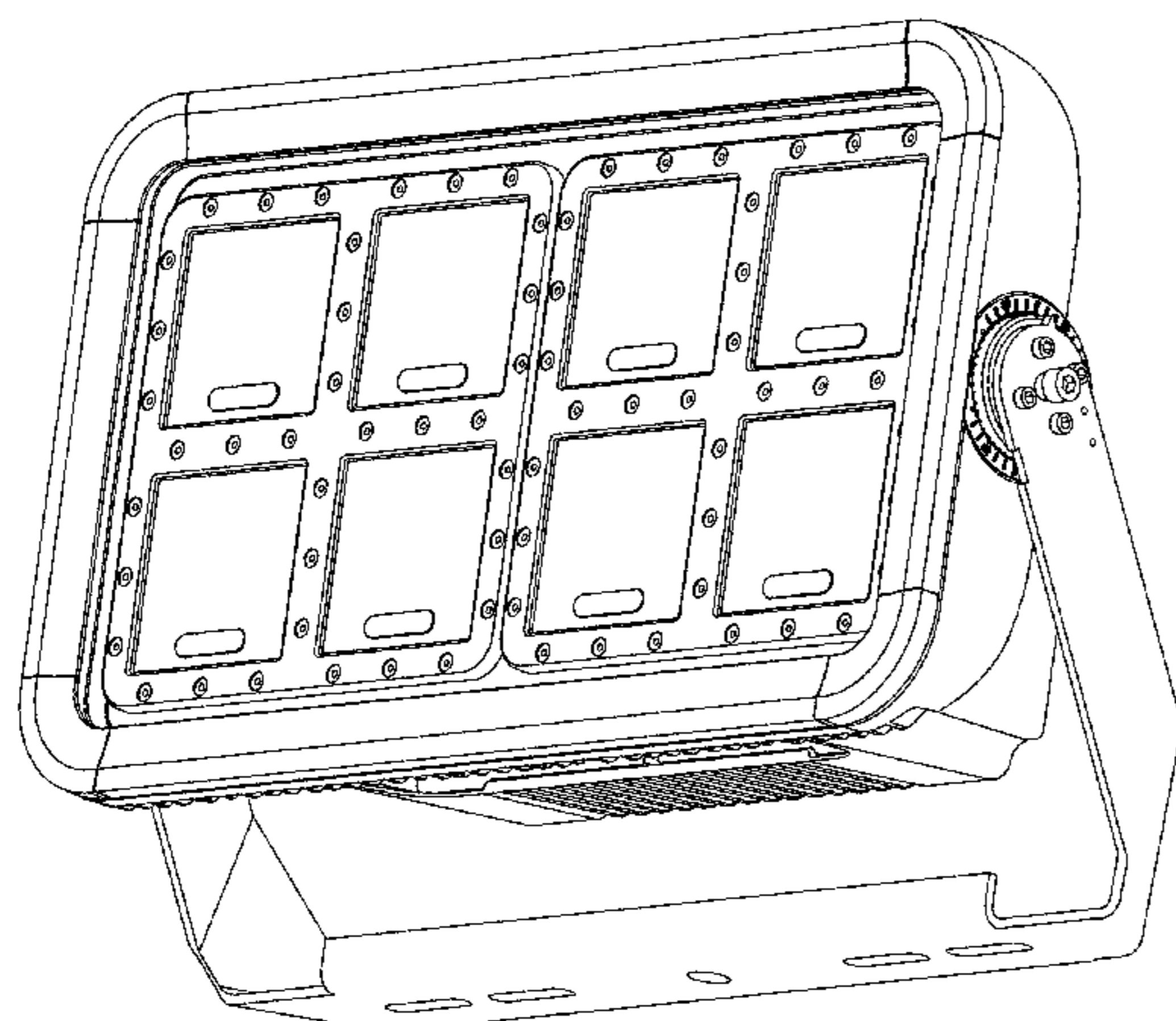
The ornamental design for a LED luminaire, as shown and described.

DESCRIPTION

FIG. 1 is a front perspective view of a LED luminaire showing our new design;
FIG. 2 is a rear perspective view thereof;
FIG. 3 is a front elevational view thereof;
FIG. 4 is a rear elevational view thereof;
FIG. 5 is a right side elevational view thereof;
FIG. 6 is a left side elevational view thereof;
FIG. 7 is a top plan view thereof; and,
FIG. 8 is a bottom plan view thereof.

The broken lines in the drawings illustrate portions of the LED luminaire that form no part of the claimed design.

1 Claim, 8 Drawing Sheets



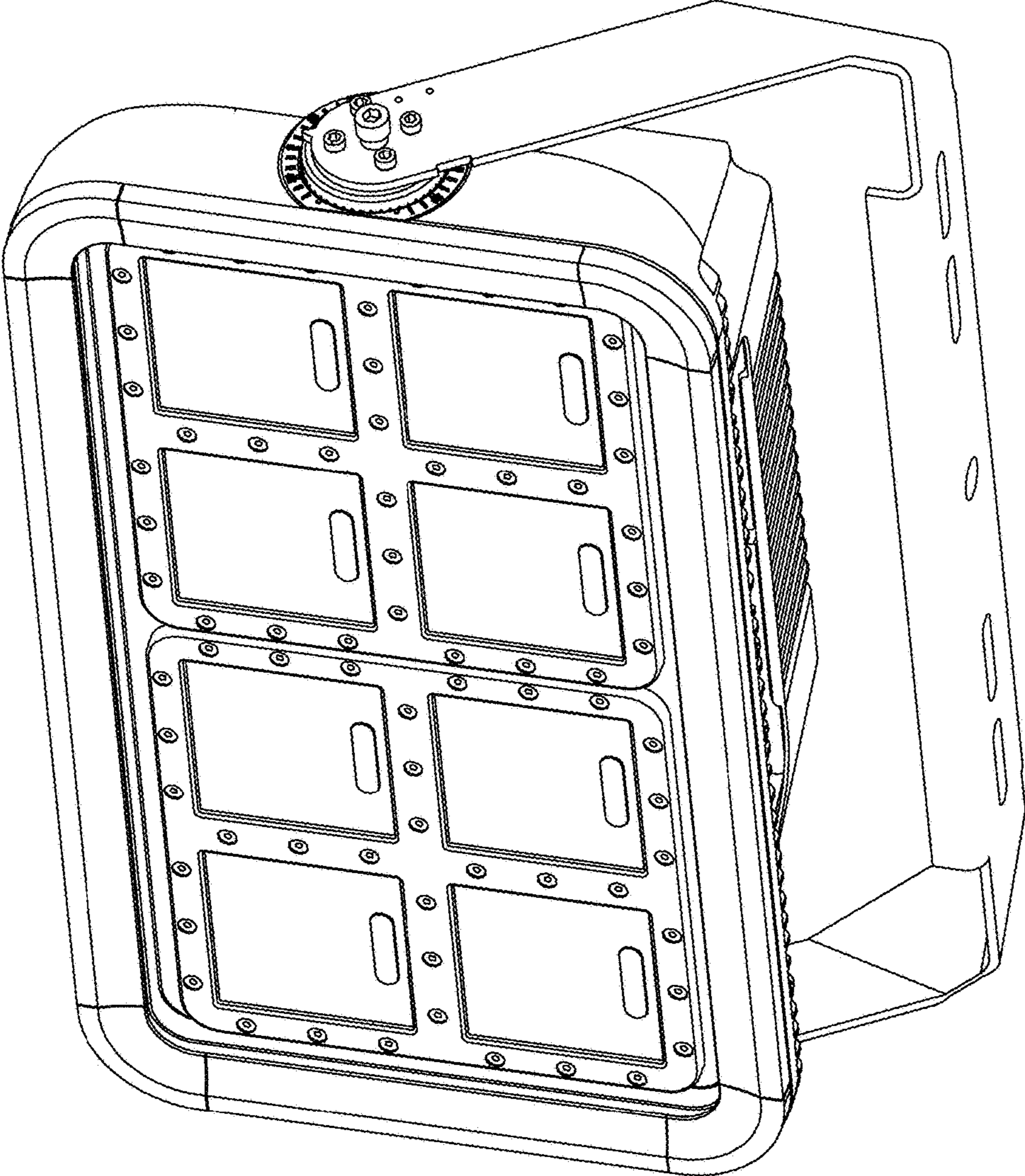


FIG.1

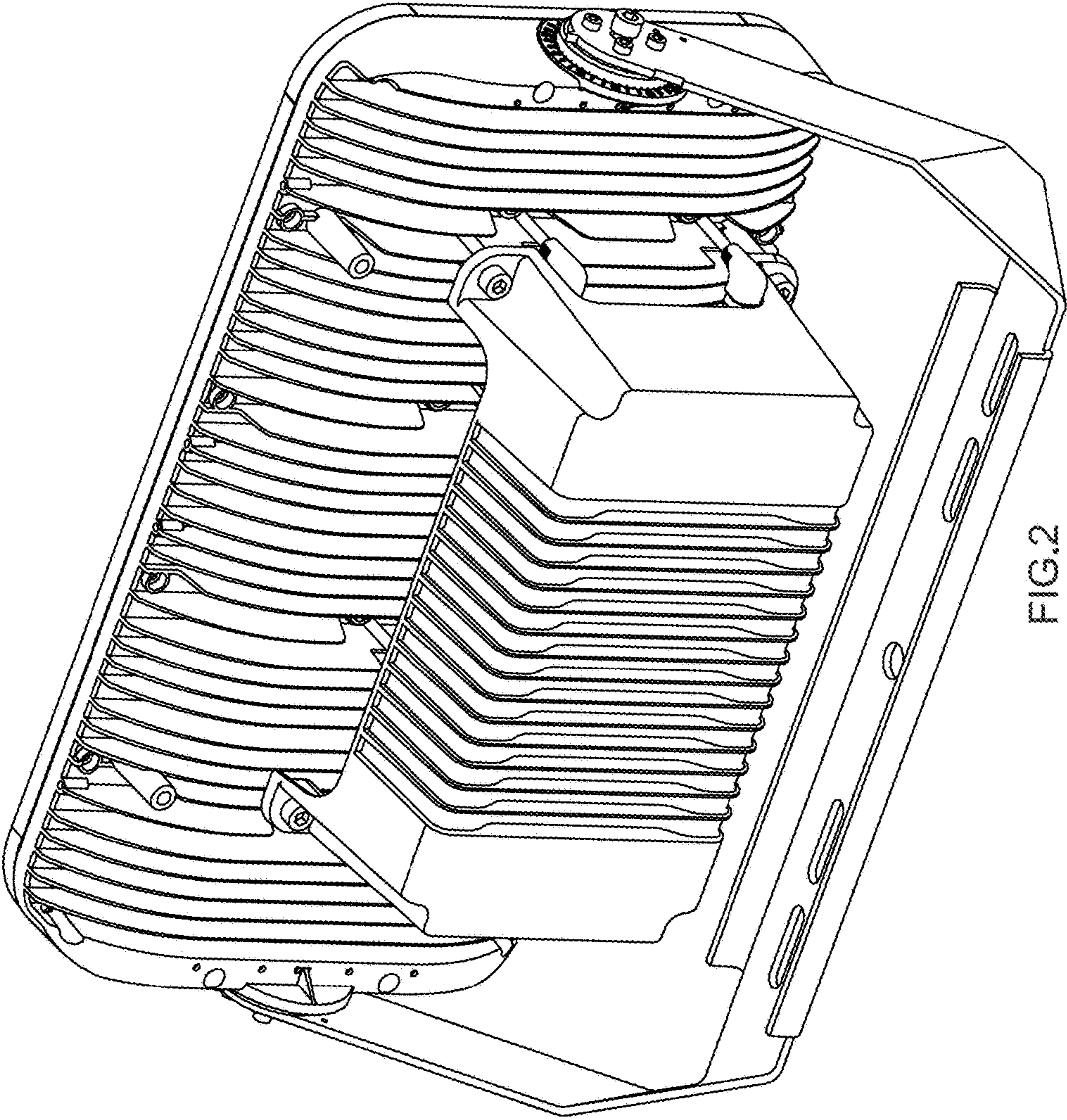


FIG.2

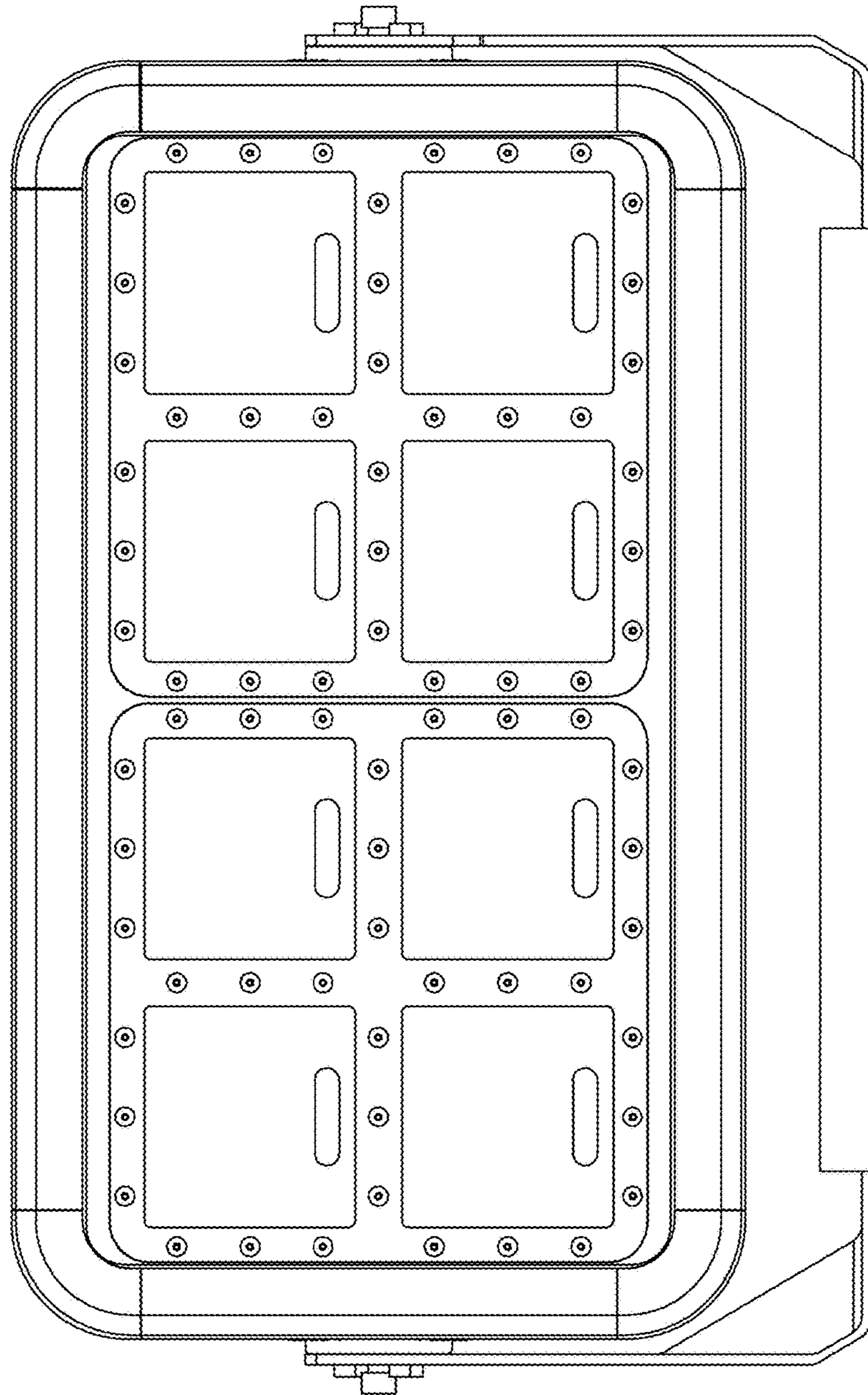


FIG.3

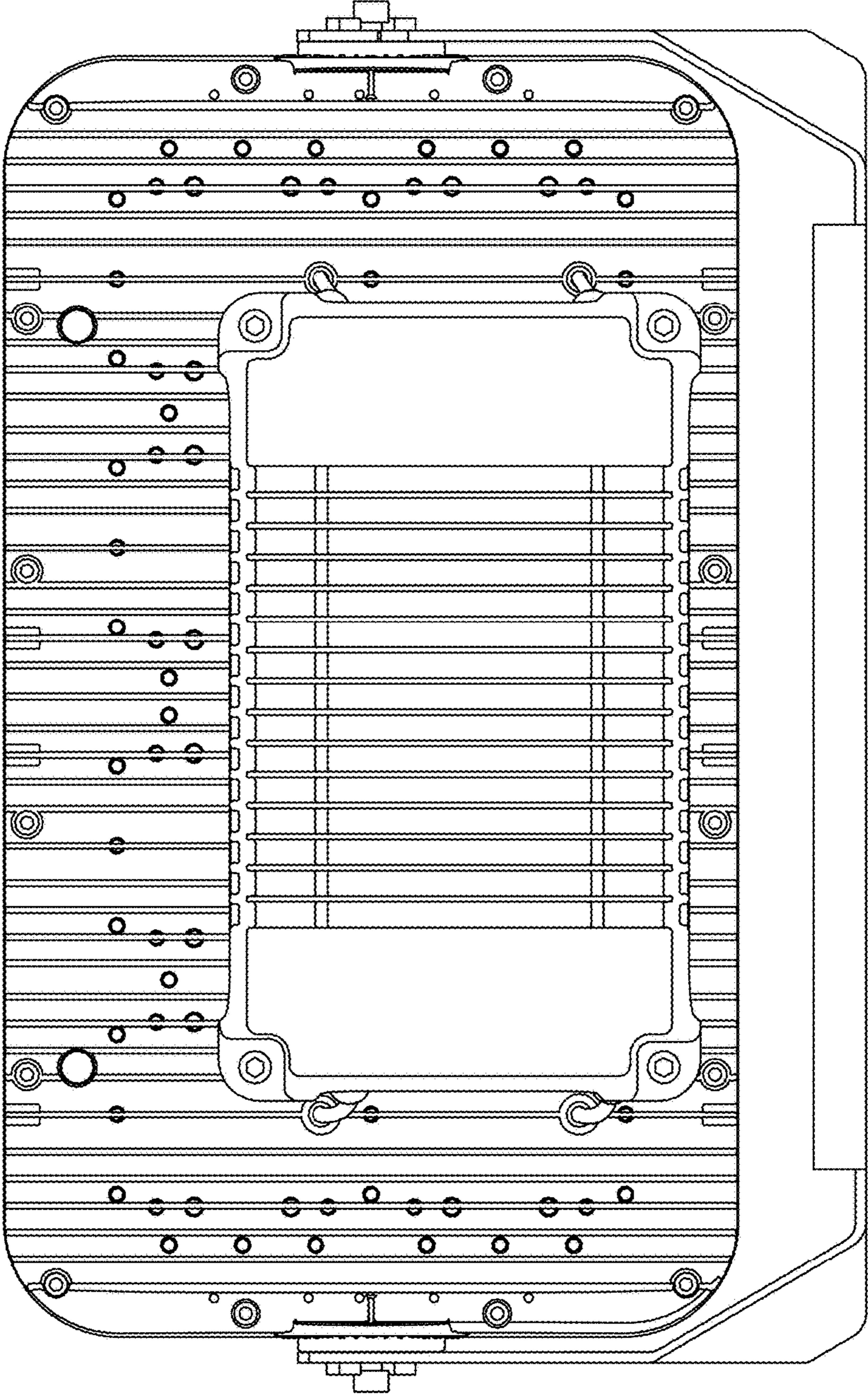


FIG.4

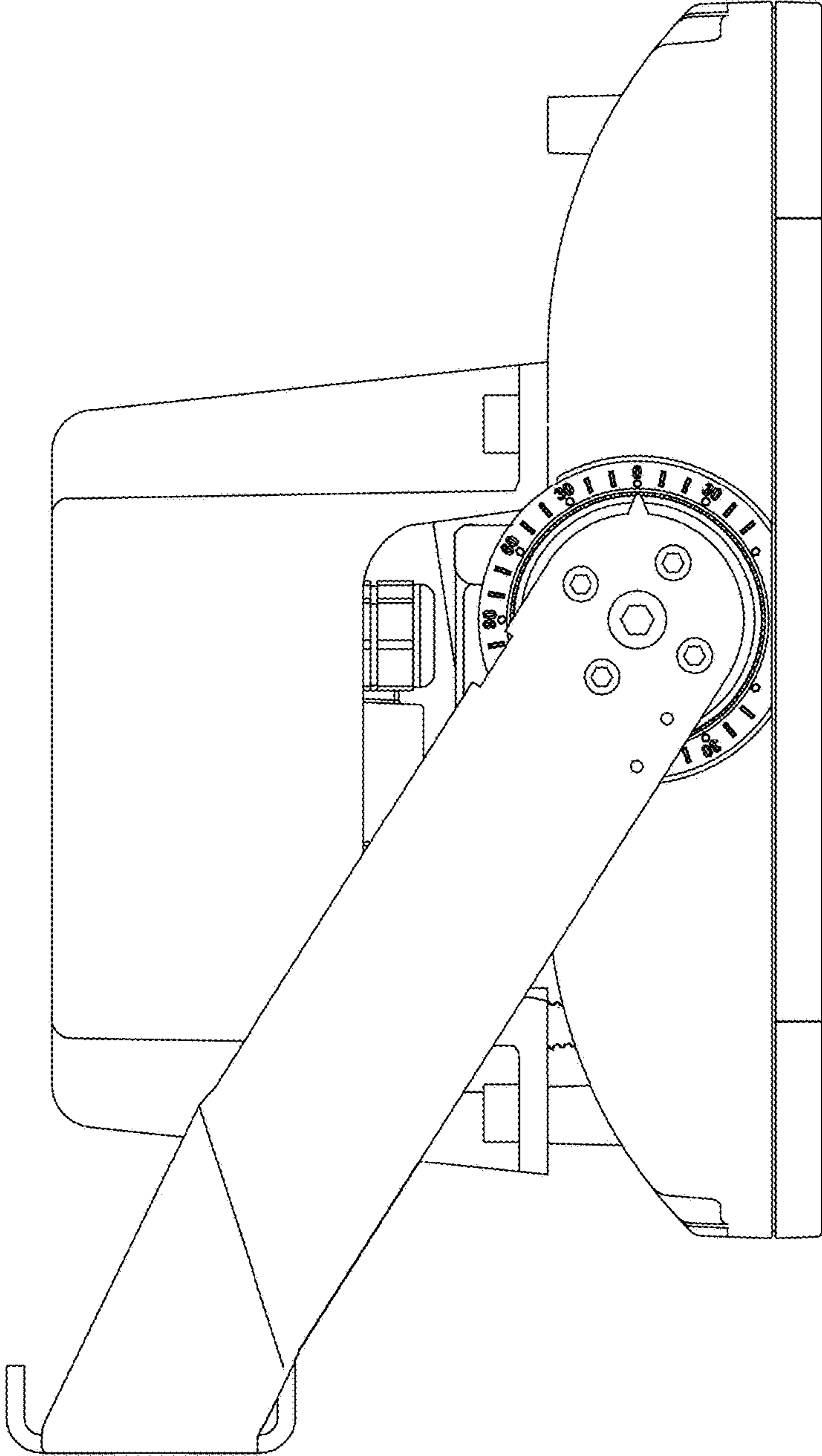


FIG.5

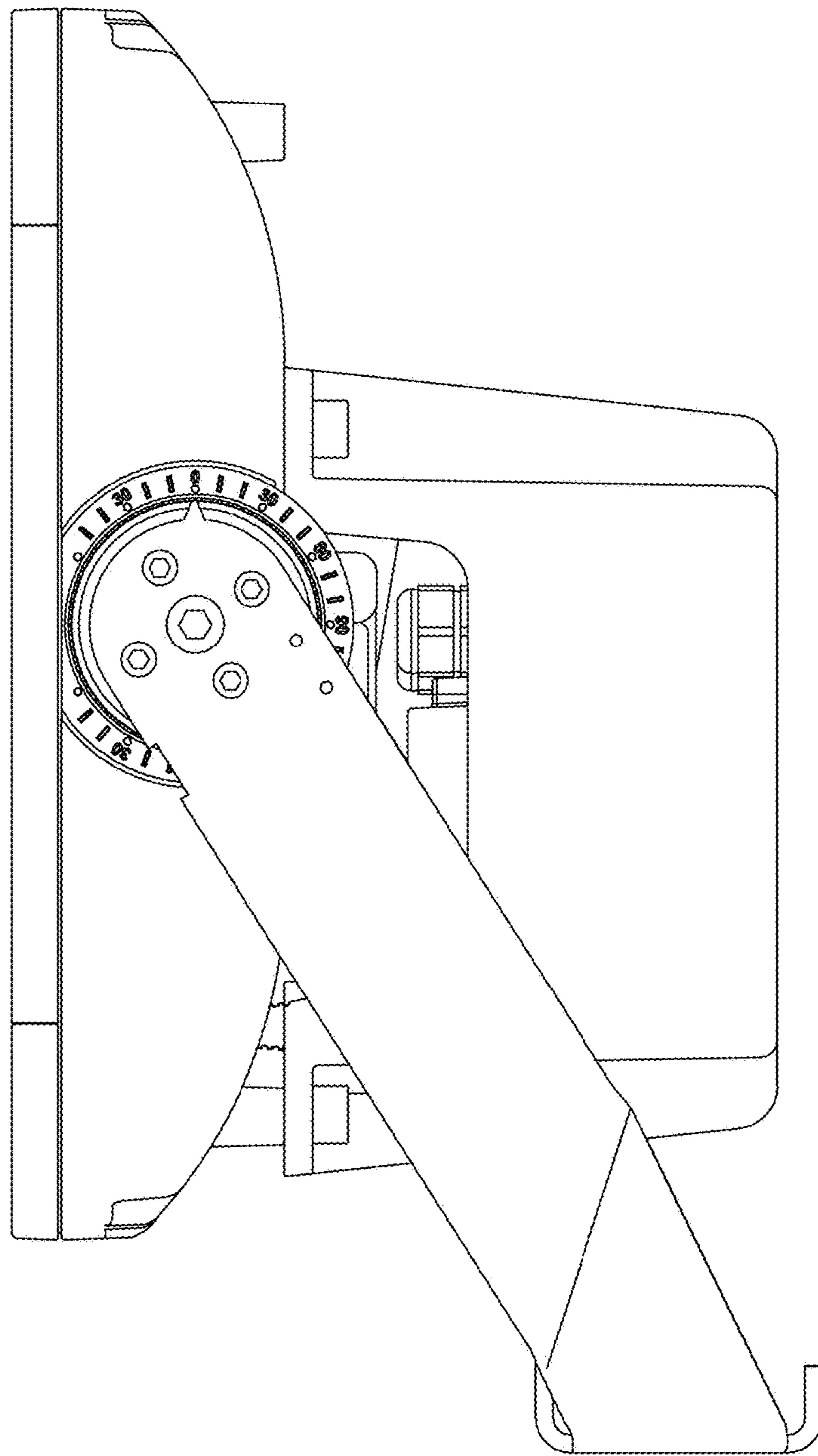


FIG.6

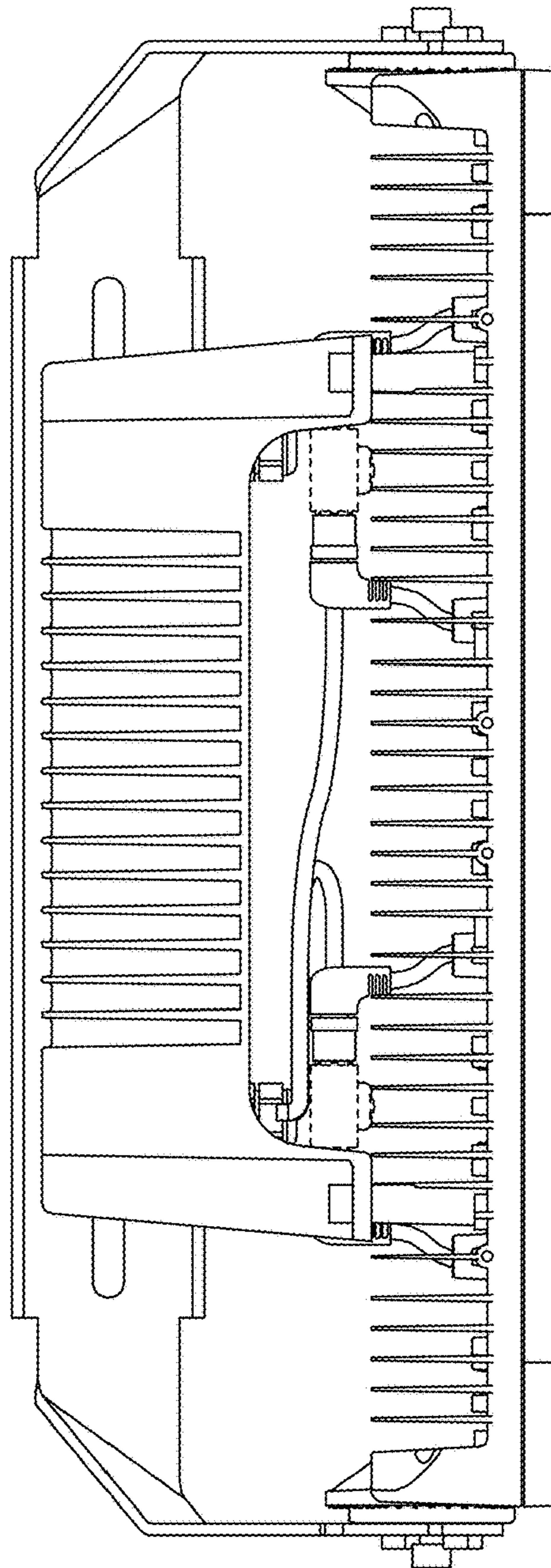


FIG.7

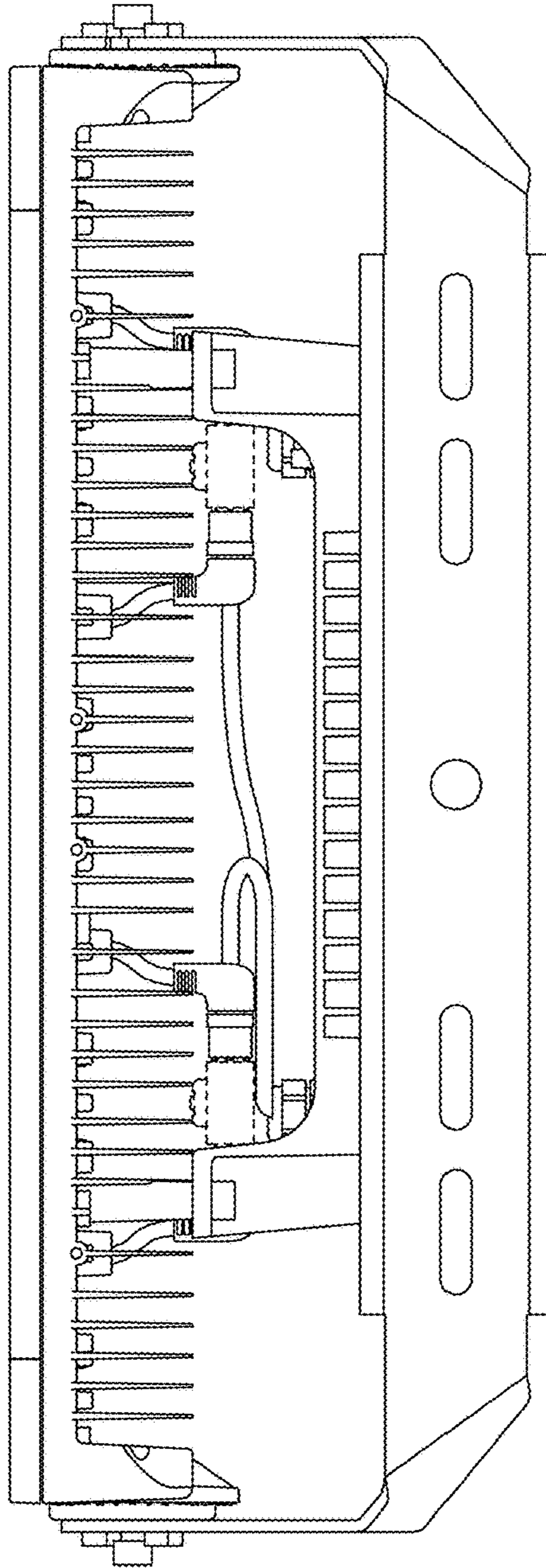


FIG.8