



US00D877950S

(12) **United States Design Patent** (10) **Patent No.:** **US D877,950 S**  
**Yau** (45) **Date of Patent:** **\*\* Mar. 10, 2020**

(54) **SINGLE LED MINI RECHARGEABLE HEADLIGHT**

(71) Applicant: **Quantum Lighting Products Ltd.,**  
Kowloon (HK)

(72) Inventor: **Fong Wing Yau,** Kowloon (HK)

(73) Assignee: **QUANTUM LIGHTING PRODUCTS LTD.,** San Po Kong, Kowloon (HK)

(\*\*) Term: **15 Years**

(21) Appl. No.: **29/665,537**

(22) Filed: **Oct. 4, 2018**

(51) **LOC (12) Cl.** ..... **26-02**

(52) **U.S. Cl.**  
USPC ..... **D26/39**

(58) **Field of Classification Search**  
USPC ..... D26/1, 24, 25, 43, 60, 110, 113, 28, 37,  
D26/61, 85, 102, 138-140; 362/249.14,  
362/311.02, 311.13  
CPC ..... F21S 4/00; F21S 4/10; F21S 4/15; F21S  
4/26; F21S 2/00; F21V 11/02; F21V  
11/06; F21V 17/10; F21V 17/16; F21V  
21/0296; F21V 21/0054; F21V 21/008;  
F21V 21/00; F21V 21/08; F21V 23/00;  
F21V 23/04; F21V 33/00; F21W 2121/00;  
F21W 2121/04; F21Y 2115/10; F21L  
4/00; F21L 4/02; F21L 4/04; F21L 4/08  
See application file for complete search history.

(56) **References Cited**  
U.S. PATENT DOCUMENTS

D762,899 S *	8/2016	Green	.....	D26/39
D803,442 S *	11/2017	Green	.....	D26/39
D814,083 S *	3/2018	Green	.....	D26/39
D843,622 S *	3/2019	Karl, IV	.....	D26/39
D845,526 S *	4/2019	Windom	.....	D26/39

\* cited by examiner

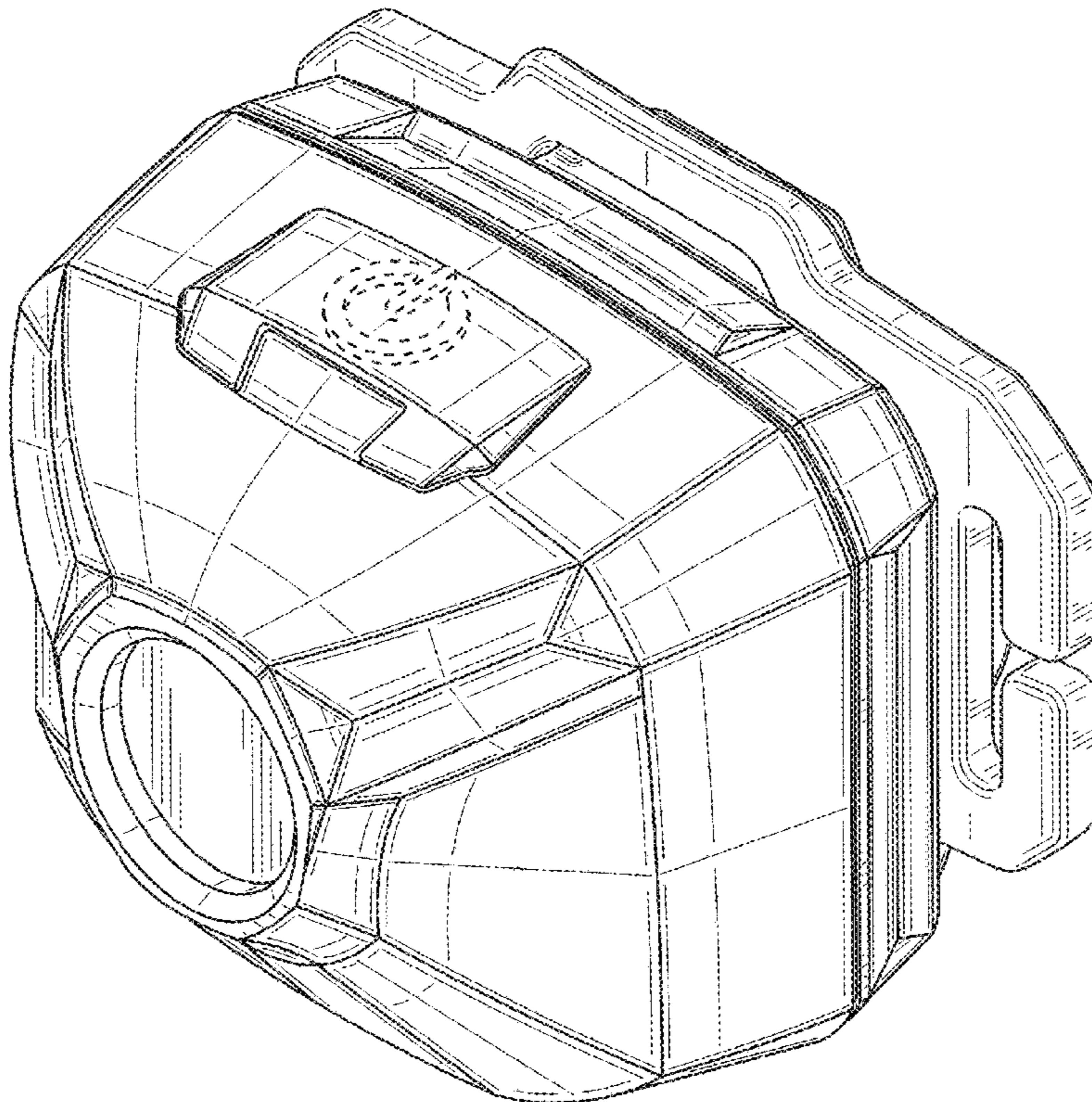
*Primary Examiner* — Abraham Bahta  
(74) *Attorney, Agent, or Firm* — Muncy, Geissler, Olds & Lowe, PC

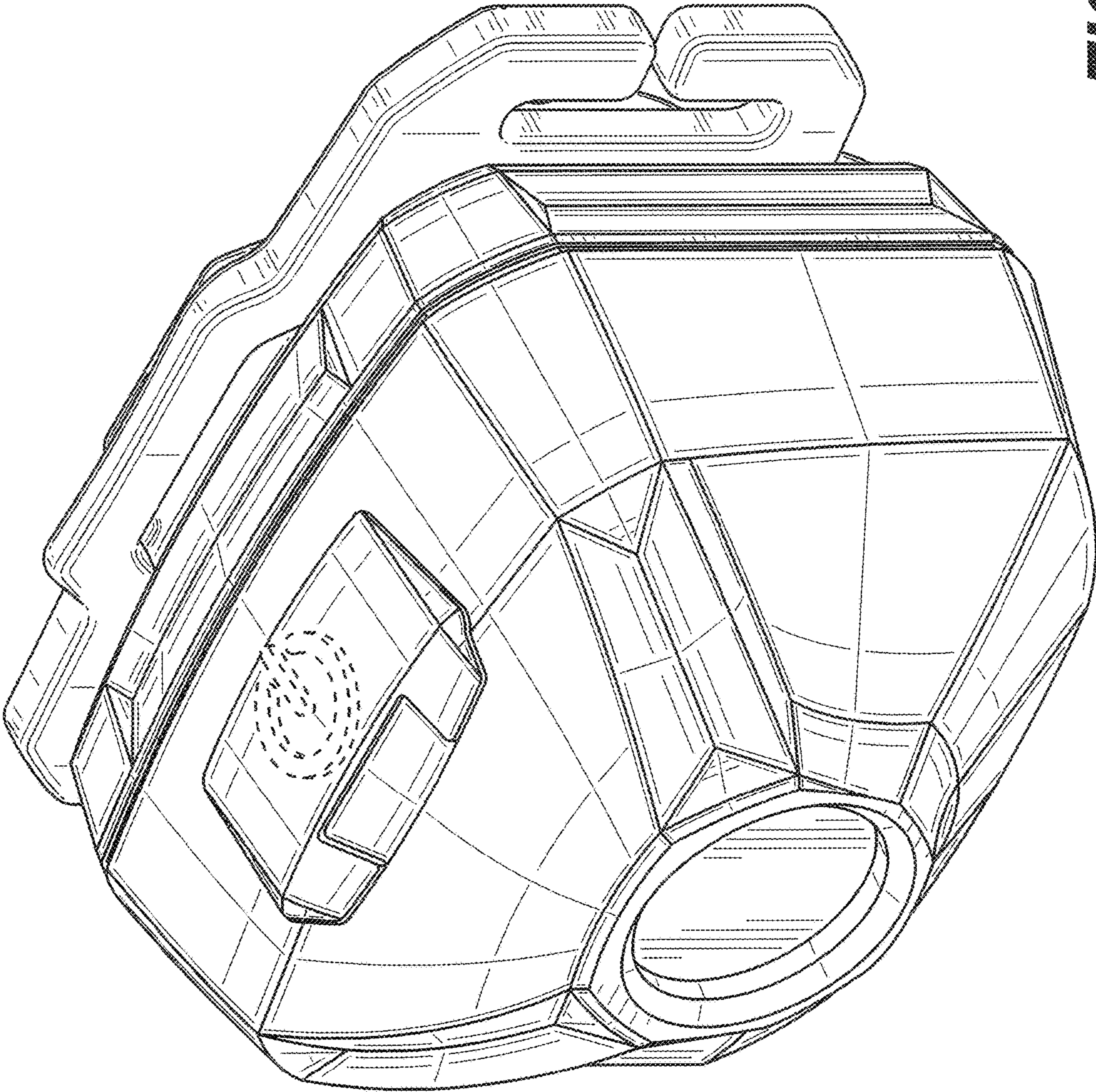
(57) **CLAIM**  
The ornamental design for a single LED mini rechargeable headlight, as shown and described.

**DESCRIPTION**

FIG. 1 is a front perspective view of the single LED mini rechargeable headlight of the new design; FIG. 2 is a rear perspective view thereof; FIG. 3 is a front view thereof; FIG. 4 is a rear view thereof; FIG. 5 is a left side view thereof; FIG. 6 is a right side view thereof; FIG. 7 is a top view thereof; and, FIG. 8 is a bottom view thereof. The broken lines are for the purpose of illustrating portions of the single LED mini rechargeable headlight that form no part of the claimed design.

**1 Claim, 8 Drawing Sheets**





**FIG. 1**

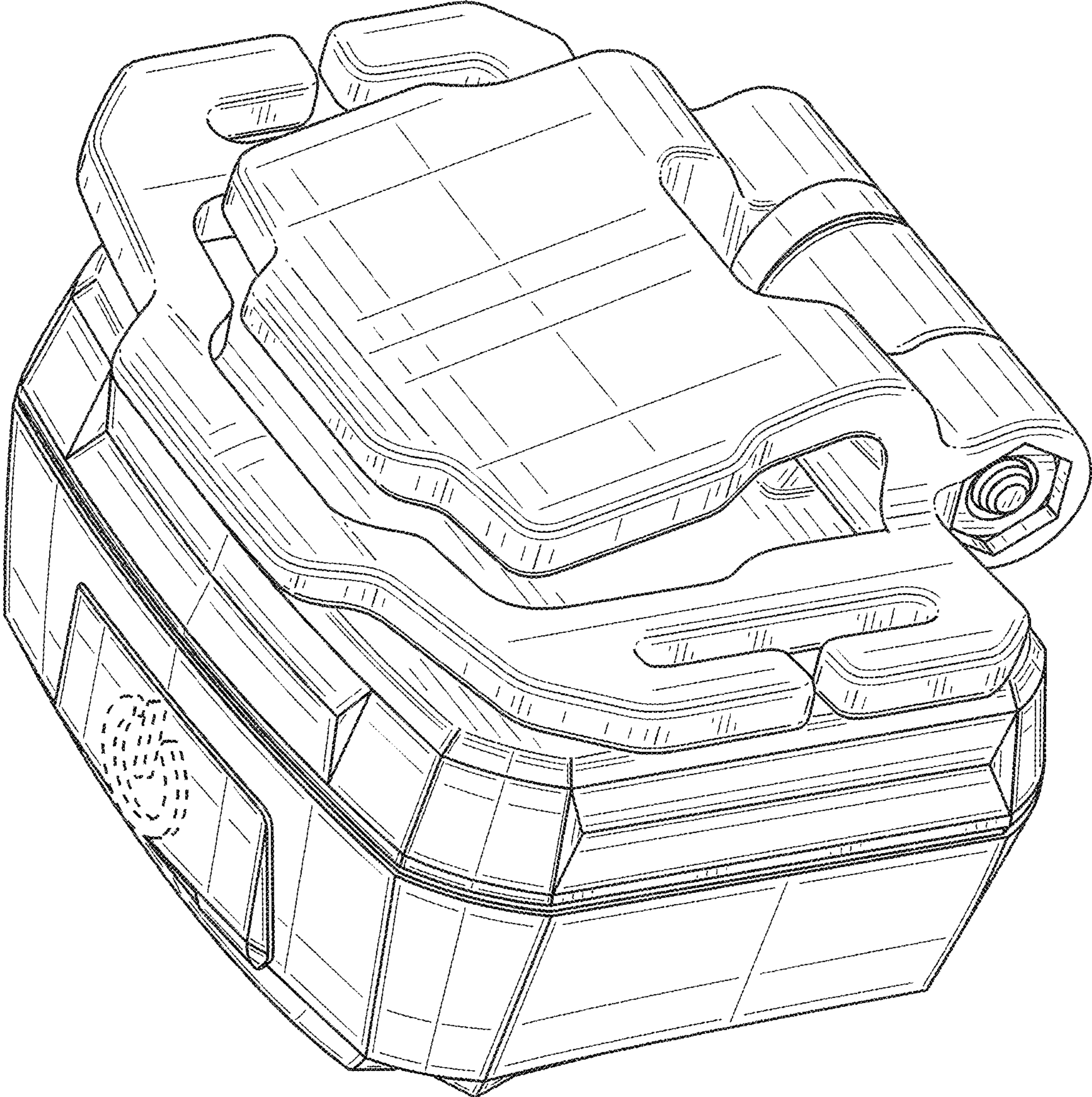


FIG. 2

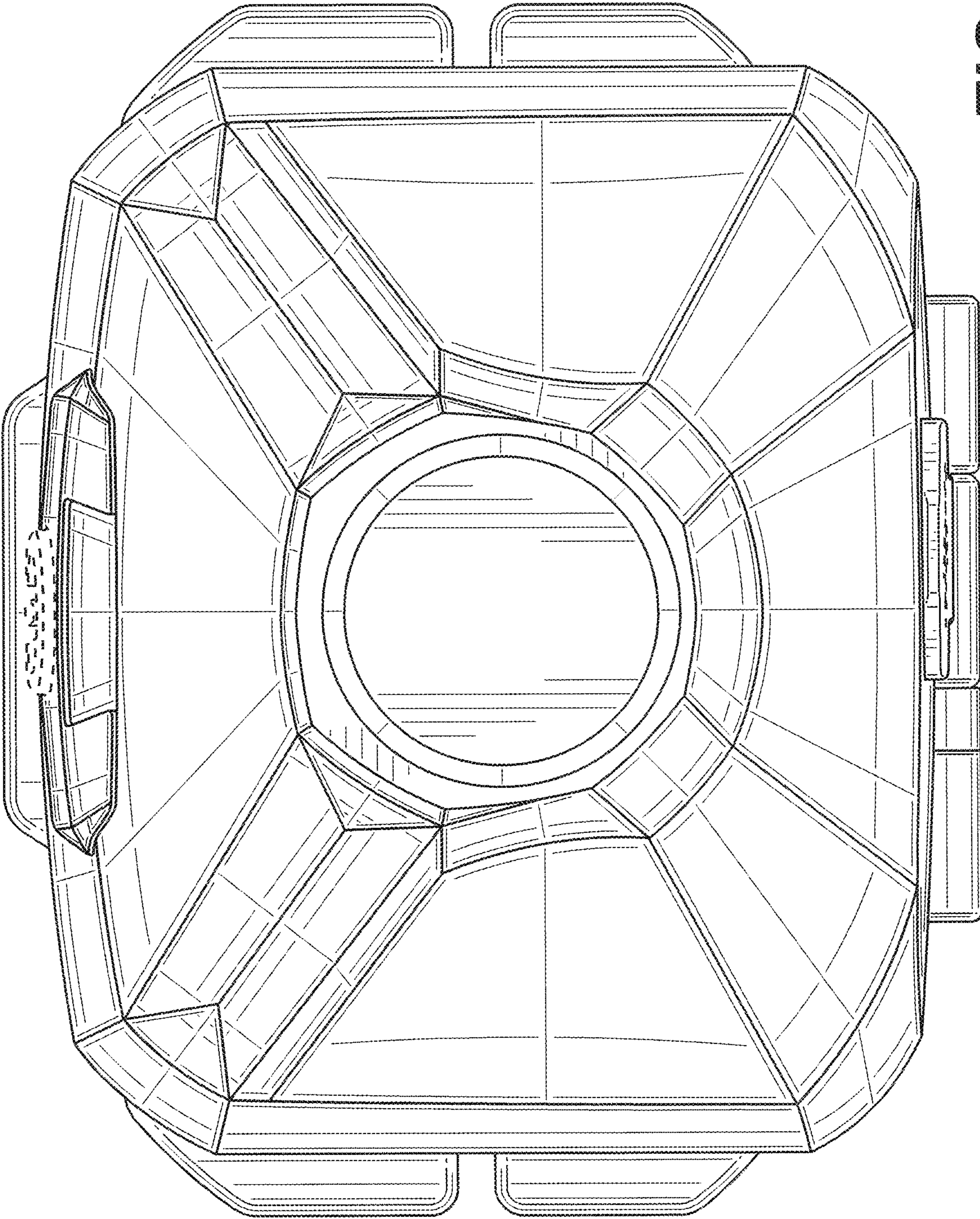
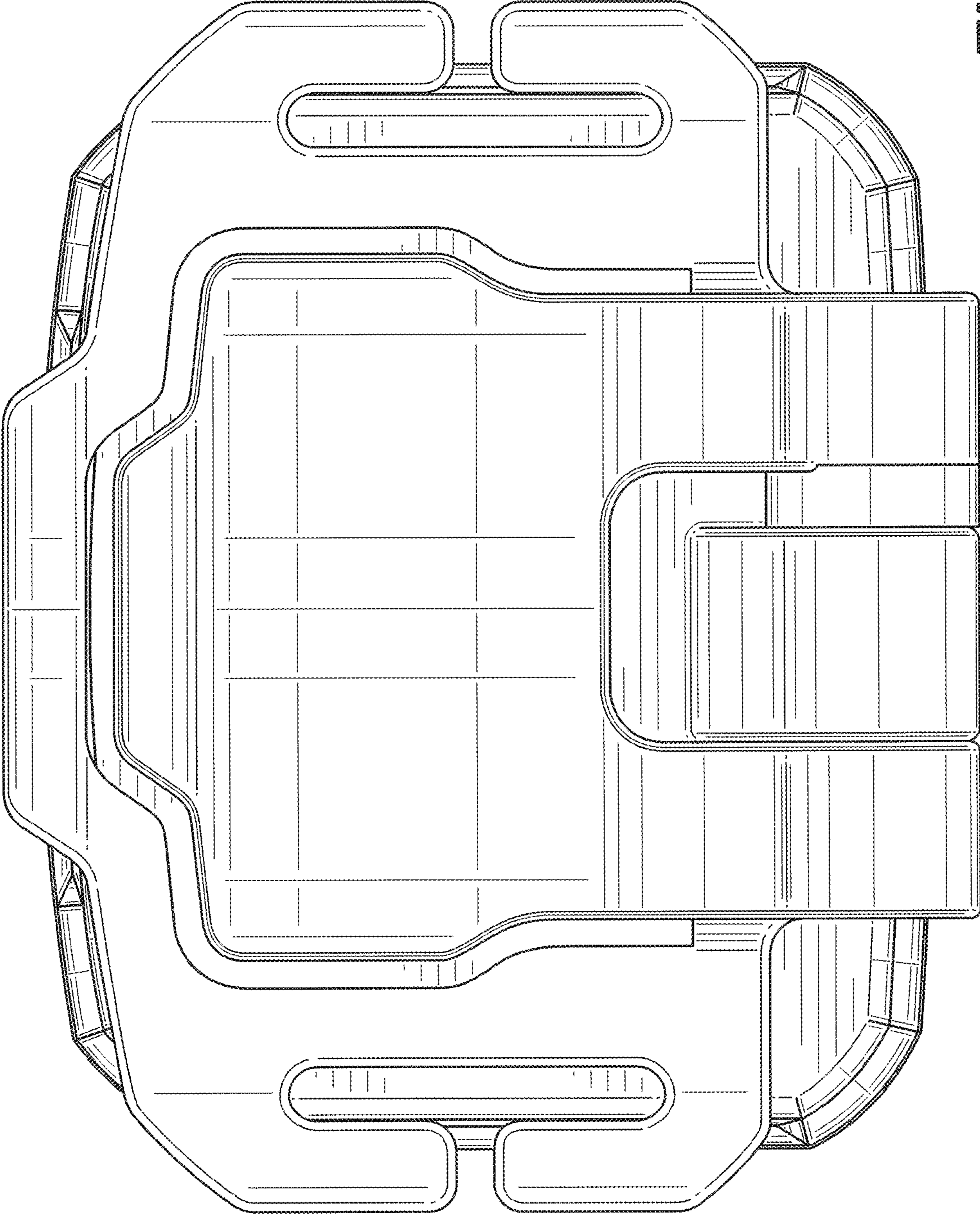


FIG. 3



**FIG. 4**

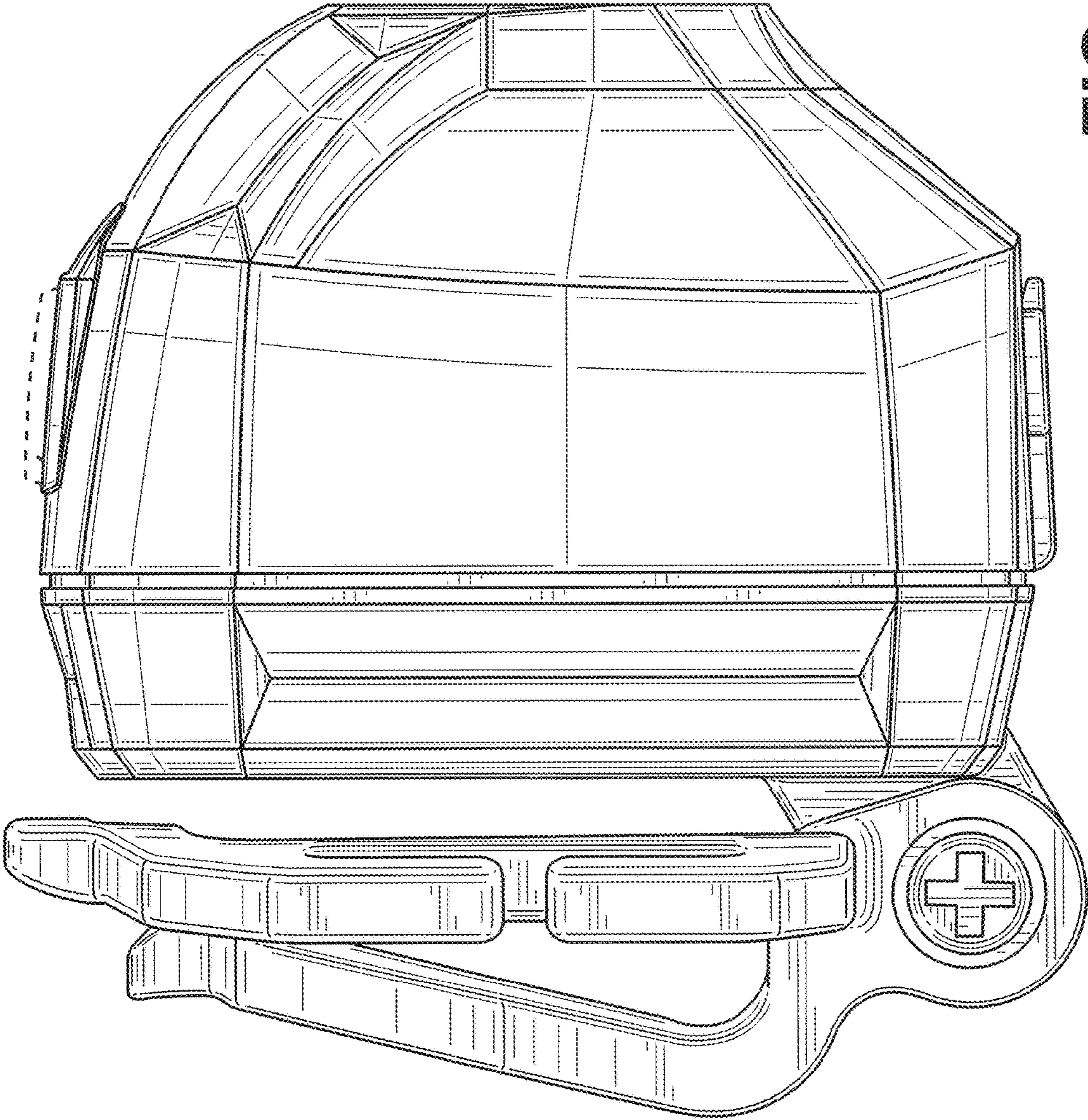


FIG. 5

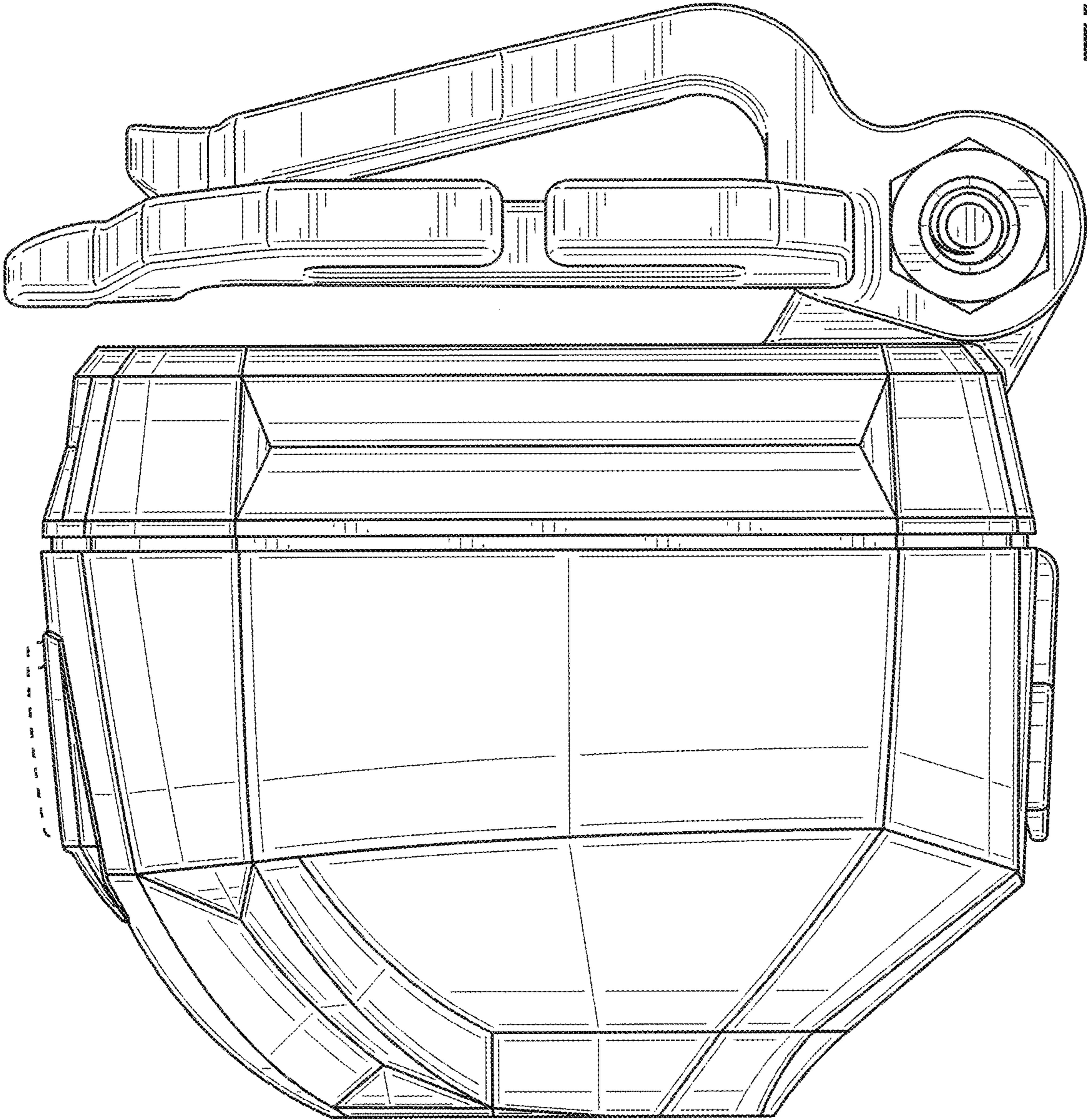


FIG. 6

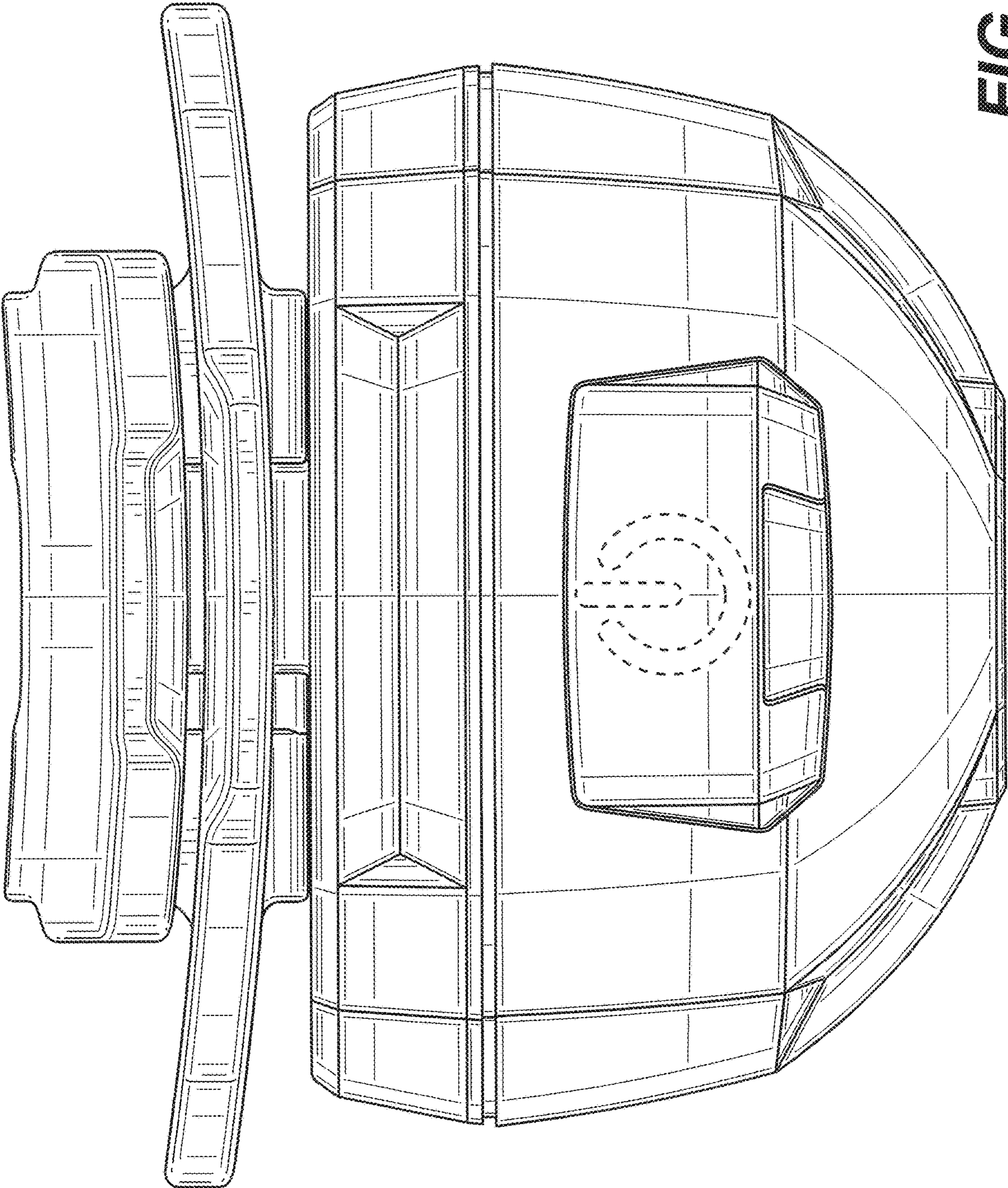


FIG. 7



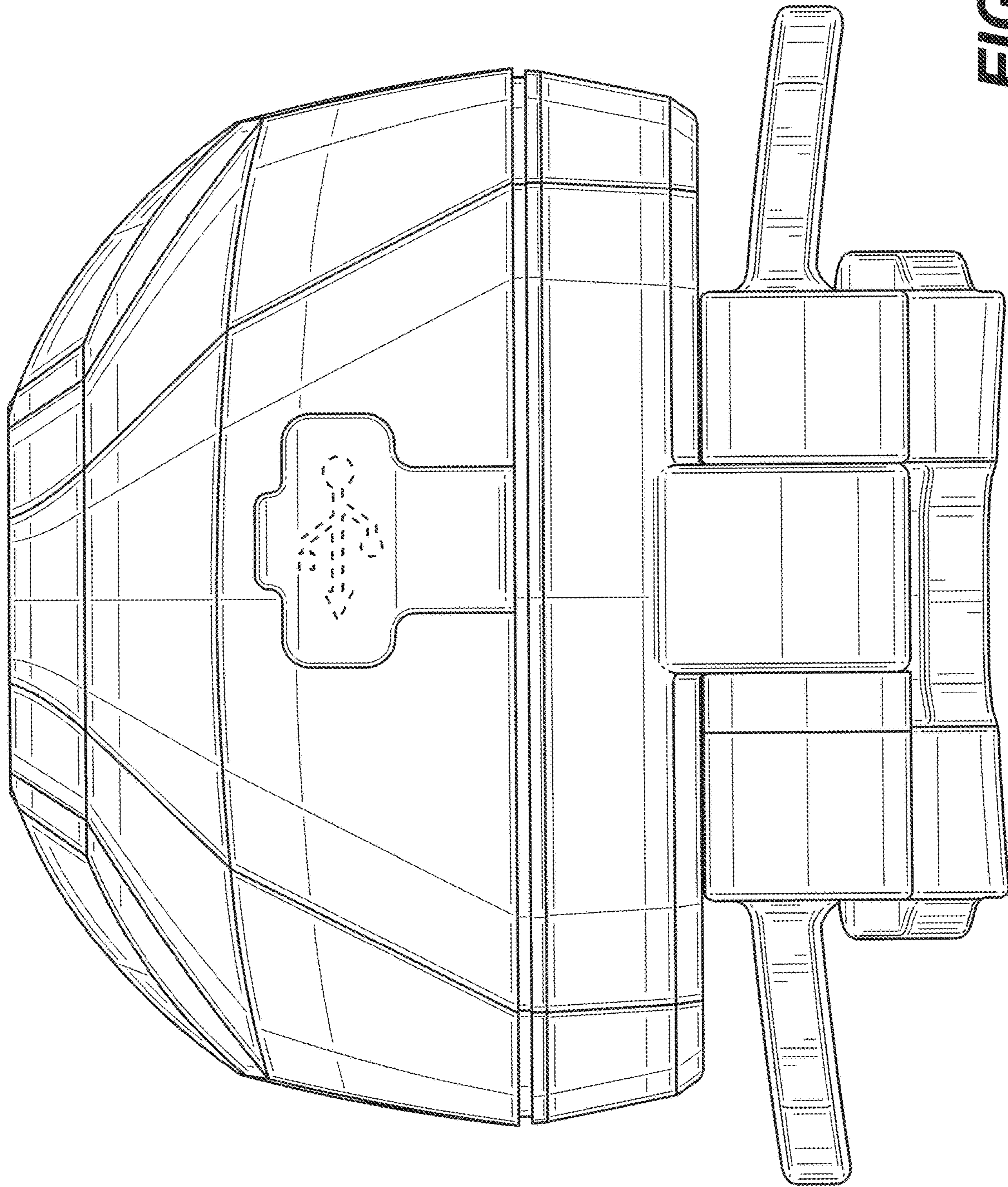


FIG. 8