



US00D877948S

(12) **United States Design Patent**  
**Thompson**

(10) **Patent No.:** **US D877,948 S**  
(45) **Date of Patent:** **\*\* Mar. 10, 2020**

(54) **LIGHTING DEVICE**

(71) Applicant: **BLACK & DECKER INC.**, New Britain, CT (US)  
(72) Inventor: **Samuel P. Thompson**, Newcastle Upon Tyne (GB)  
(73) Assignee: **BLACK & DECKER INC.**, New Britain, CT (US)  
(\*\*) Term: **15 Years**

(21) Appl. No.: **29/659,824**  
(22) Filed: **Aug. 13, 2018**  
(51) **LOC (12) Cl.** ..... **26-02**  
(52) **U.S. Cl.**  
USPC ..... **D26/37**  
(58) **Field of Classification Search**  
USPC ..... D26/1, 24, 25, 43, 60, 110, 113, 28, 37,  
D26/61, 85, 102, 138-140; 362/249.14,  
362/311.02, 311.13  
CPC ..... F21S 4/00; F21S 4/10; F21S 4/15; F21S  
4/26; F21S 2/00; F21V 11/02; F21V  
11/06; F21V 17/10; F21V 17/16; F21V  
21/0296; F21V 21/0054; F21V 21/008;  
F21V 21/00; F21V 21/08; F21V 23/00;  
F21V 23/04; F21V 33/00; F21W 2121/00;  
F21W 2121/04; F21Y 2115/10; F21L  
4/00; F21L 4/02; F21L 4/04; F21L 4/08  
See application file for complete search history.

(56) **References Cited**

U.S. PATENT DOCUMENTS

D553,771 S \* 10/2007 Watson ..... D26/37  
D677,815 S \* 3/2013 Zhan ..... D16/239  
D736,442 S \* 8/2015 Kovacik ..... D26/37  
9,951,930 B2 \* 4/2018 Cacciabeve ..... F21V 15/04  
D861,209 S \* 9/2019 Cooper ..... D26/37

\* cited by examiner

*Primary Examiner* — Abraham Bahta

(74) *Attorney, Agent, or Firm* — Adan Ayala

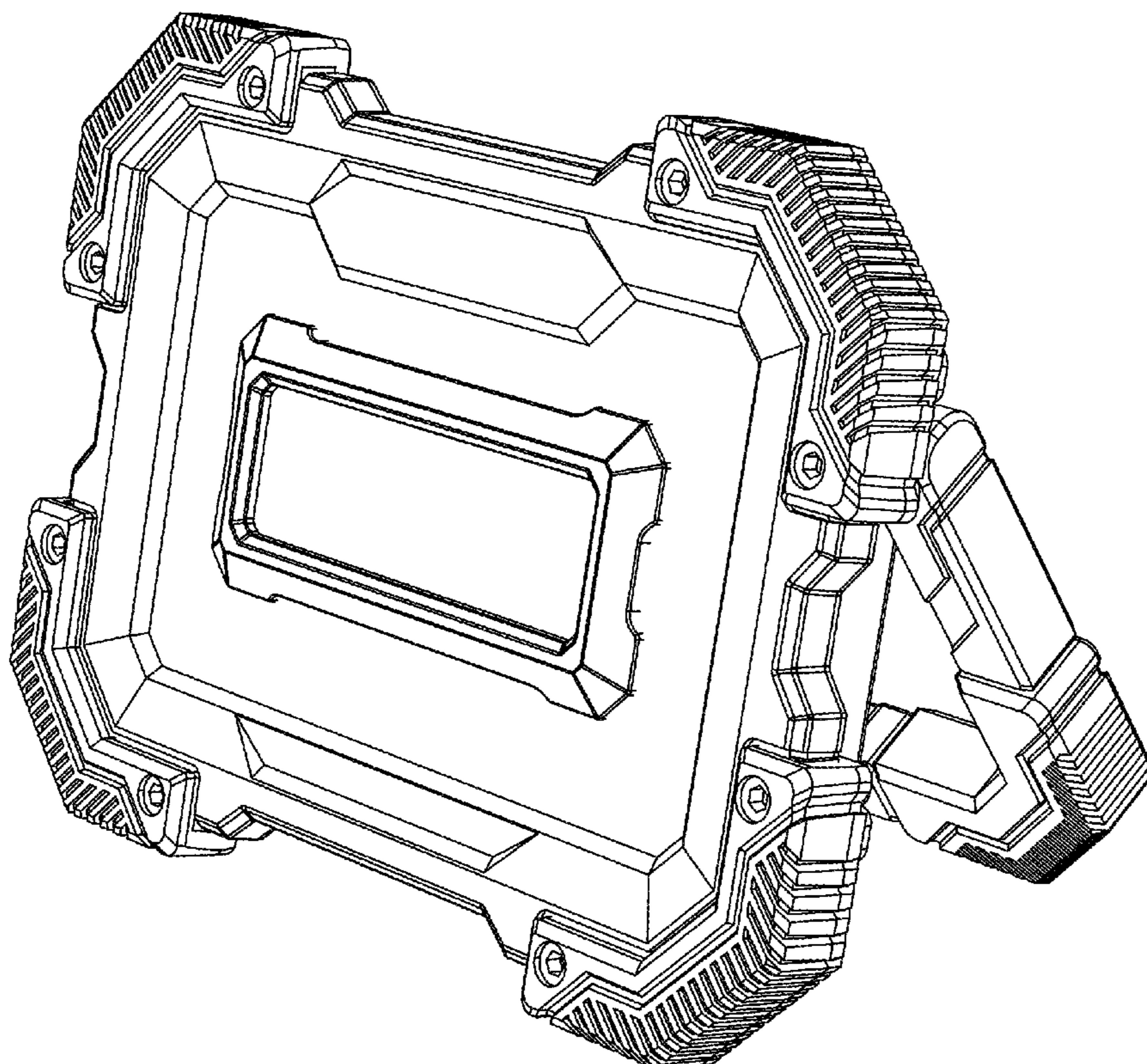
(57) **CLAIM**

The ornamental design for a lighting device, as shown and described.

**DESCRIPTION**

FIG. 1 is a front perspective view of a lighting device according to the invention.  
FIG. 2 is a front view of the lighting device of FIG. 1.  
FIG. 3 is a rear view of the lighting device of FIG. 1.  
FIG. 4 is a left side view of the lighting device of FIG. 1.  
FIG. 5 is a right side view of the lighting device of FIG. 1.  
FIG. 6 is a top plan view of the lighting device of FIG. 1.  
FIG. 7 is a bottom plan view of the lighting device of FIG. 1; and,  
FIG. 8 is a rear perspective view of the lighting device of FIG. 1.

**1 Claim, 7 Drawing Sheets**



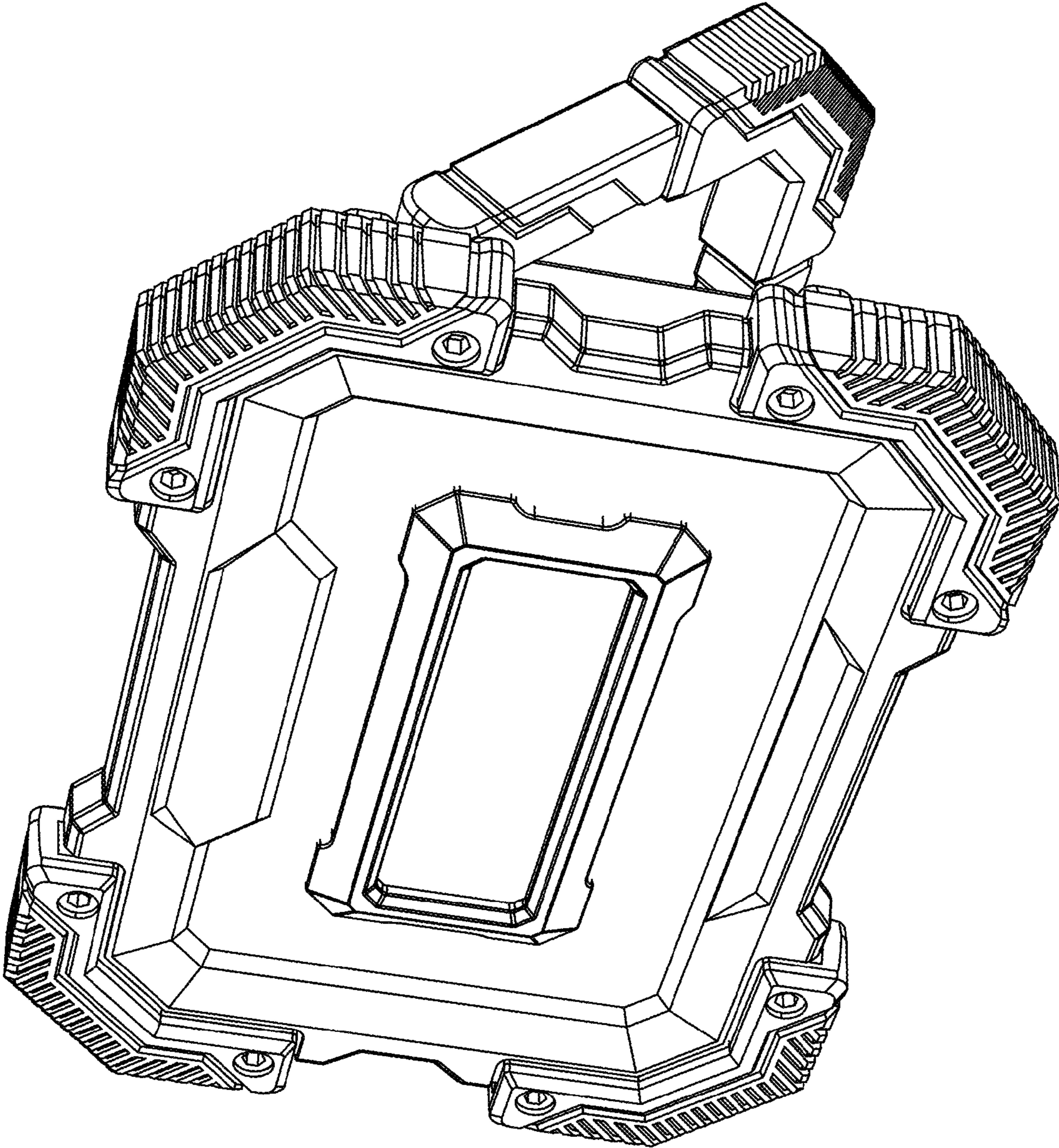


FIG. 1

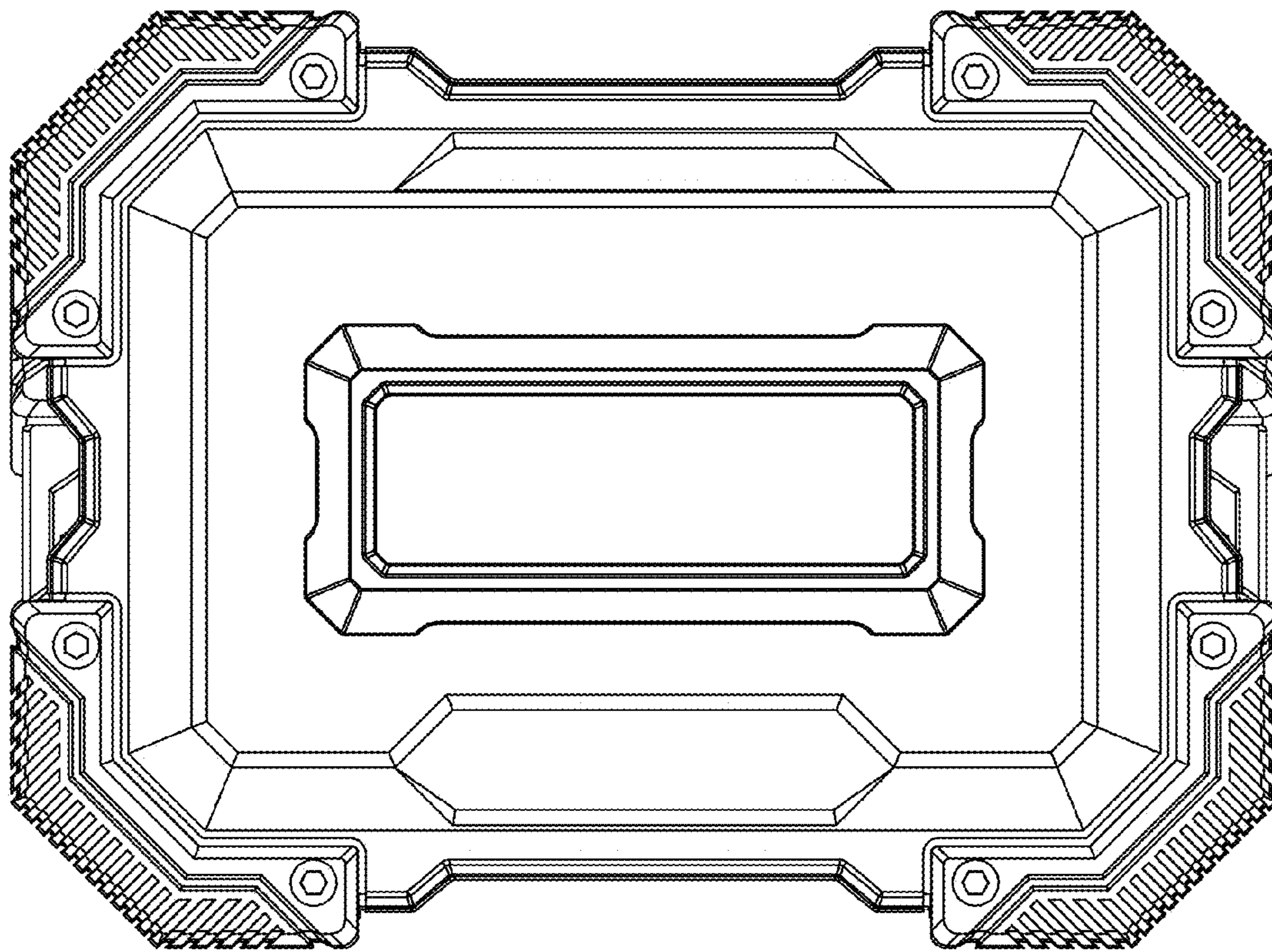


FIG. 2

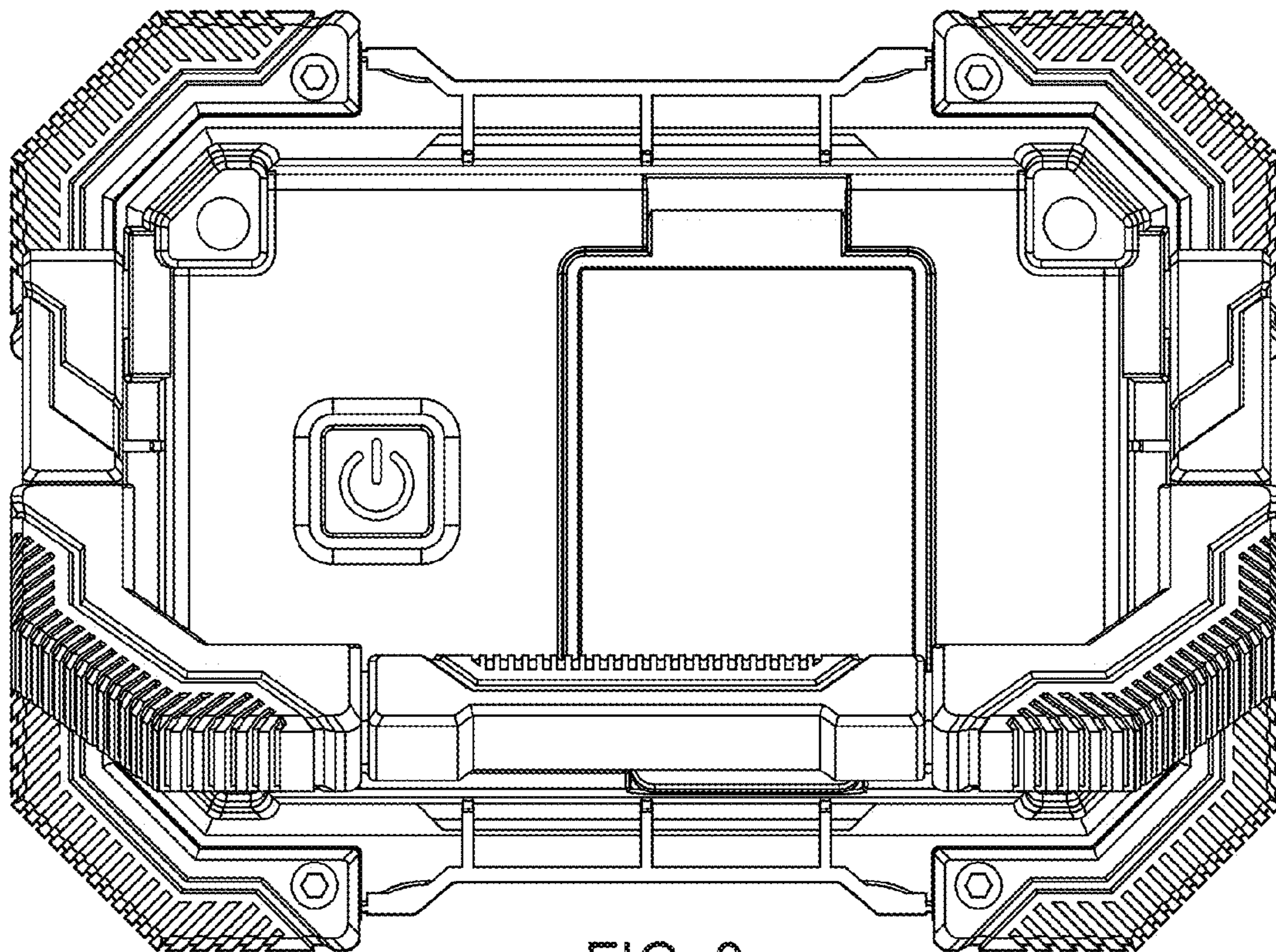


FIG. 3

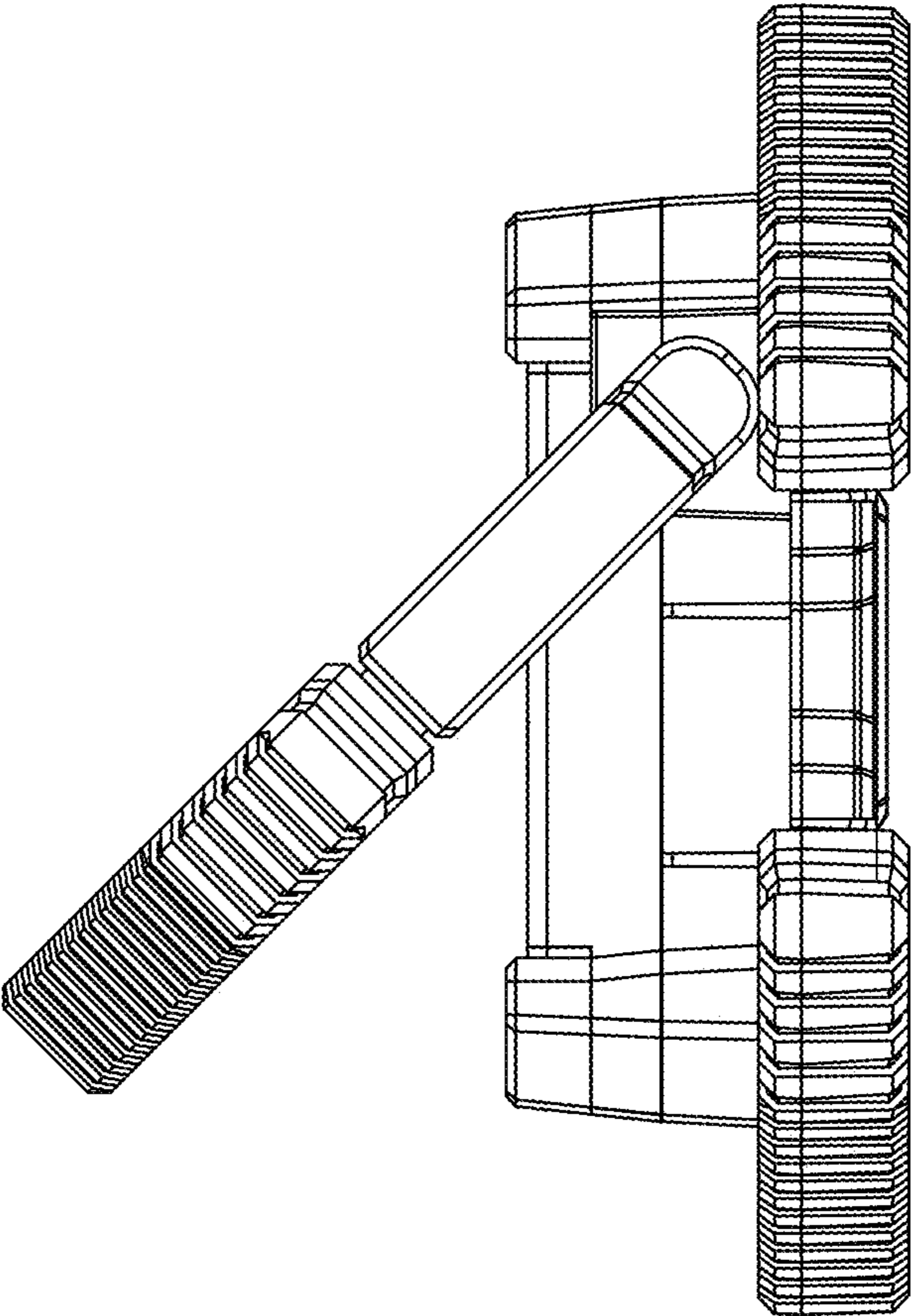


FIG. 4

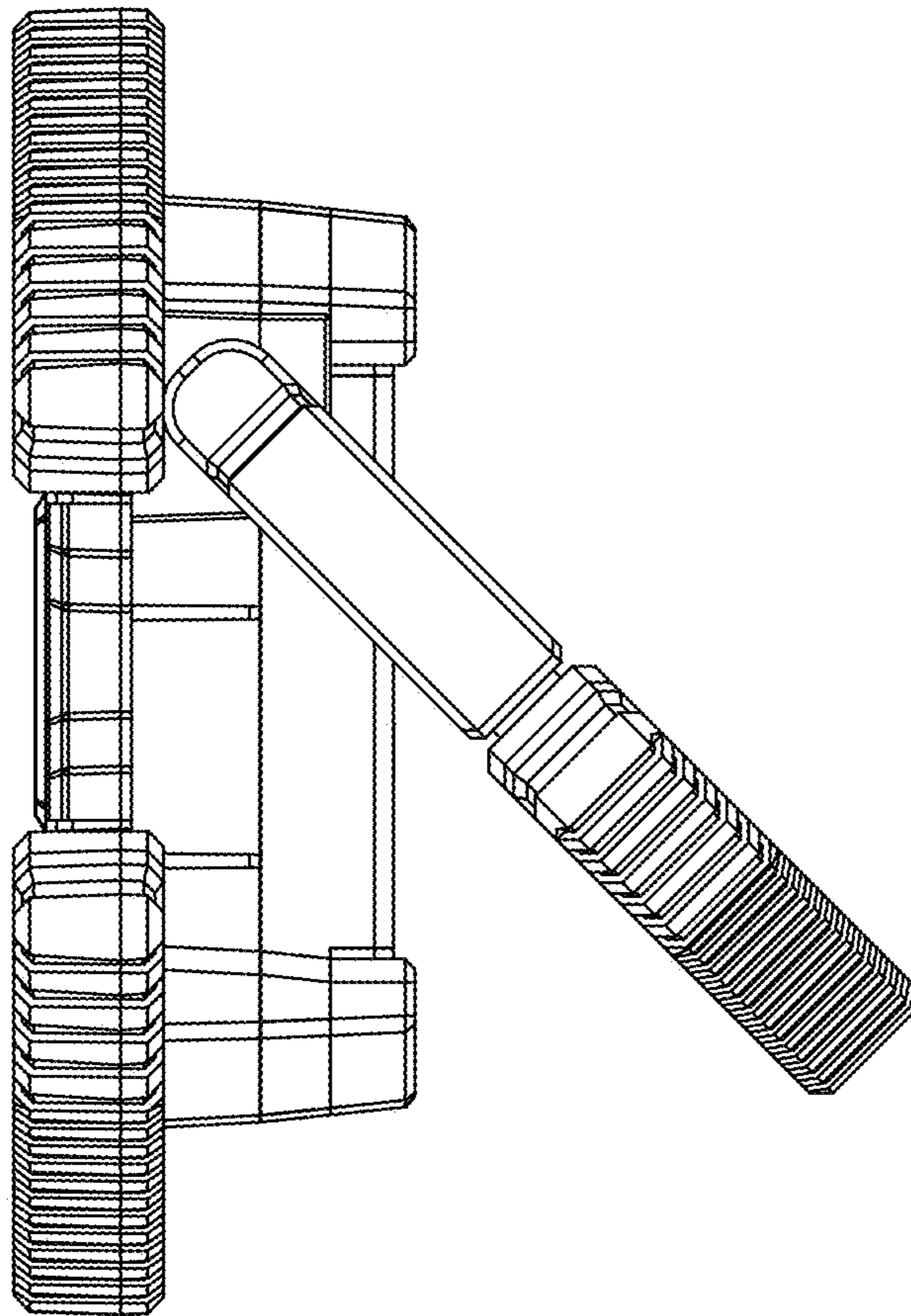


FIG. 5

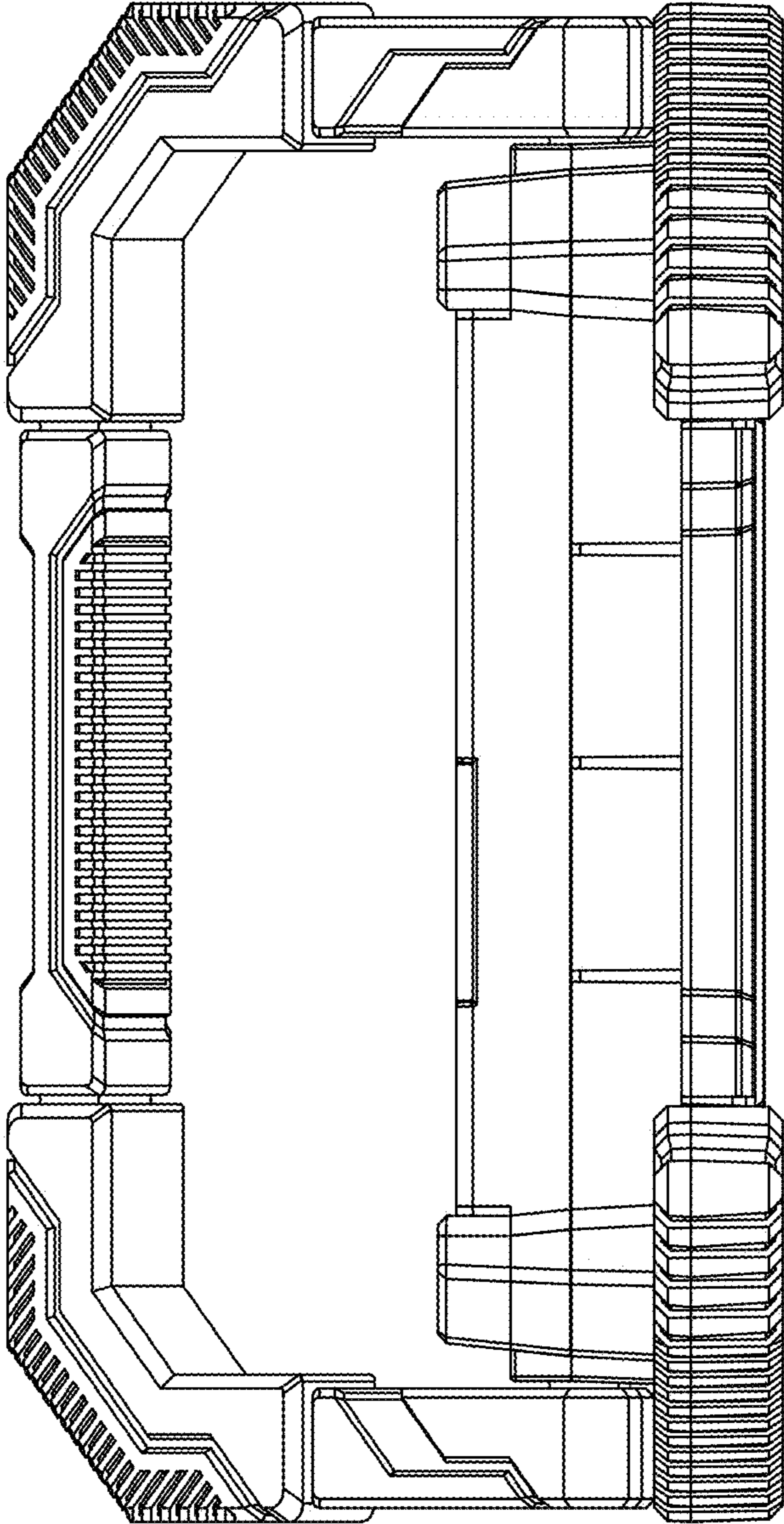


FIG. 6

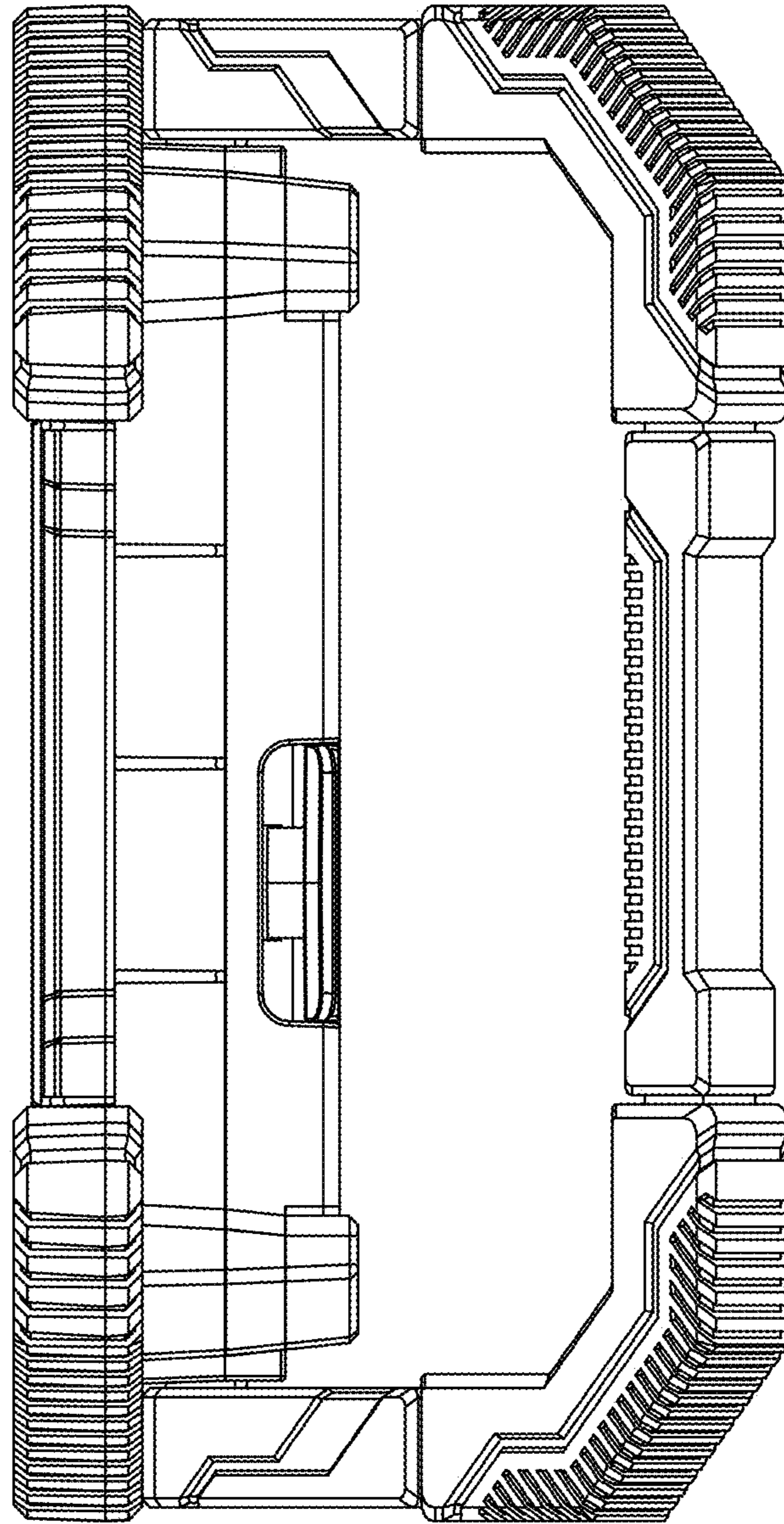


FIG. 7

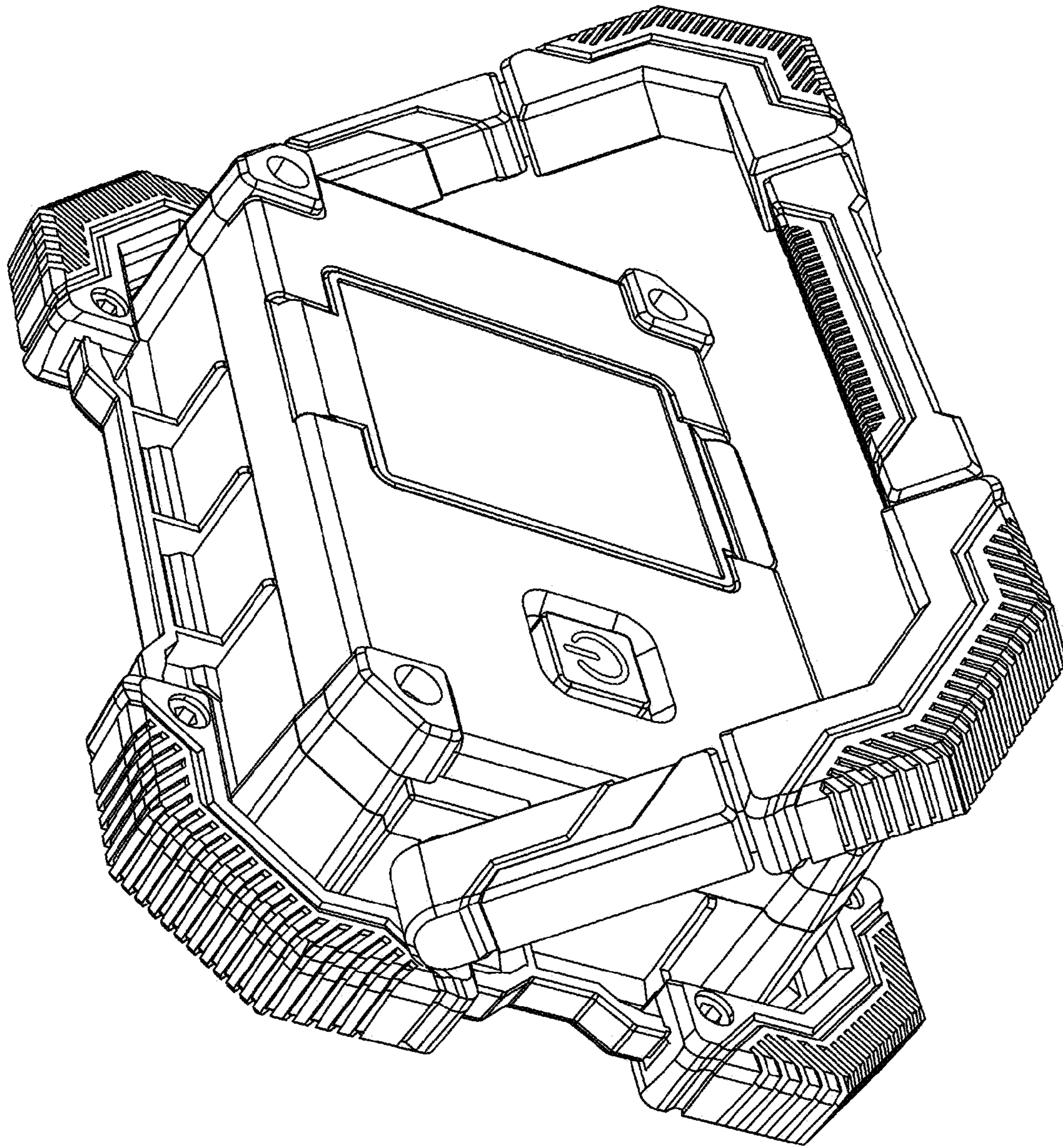


FIG. 8