



US00D877946S

(12) **United States Design Patent**
DiCanzio

(10) **Patent No.:** **US D877,946 S**

(45) **Date of Patent:** **** Mar. 10, 2020**

(54) **TAIL LIGHT**

D691,298 S * 10/2013 Binder D26/28
D750,818 S * 3/2016 Lin D26/28
D761,463 S * 7/2016 Lai D26/28

(71) Applicant: **Turn 5, Inc.**, Paoli, PA (US)

* cited by examiner

(72) Inventor: **Michael DiCanzio**, West Chester, PA (US)

Primary Examiner — Marcus A Jackson

(73) Assignee: **Turn 5, Inc.**, Paoli, PA (US)

(74) *Attorney, Agent, or Firm* — Schott, P.C.

(**) Term: **15 Years**

(57) **CLAIM**

The ornamental design for the tail light, as shown and described.

(21) Appl. No.: **29/666,383**

DESCRIPTION

(22) Filed: **Oct. 12, 2018**

(51) **LOC (12) Cl.** **26-06**

(52) **U.S. Cl.**
USPC **D26/28**

(58) **Field of Classification Search**
USPC D26/28–36, 139
CPC F21S 48/00; F21S 48/10; F21S 48/115;
F21S 48/225; F21S 48/1233; F21S
48/1266; F21S 48/1388; F21S 48/2268;
F21V 21/04; F21V 13/00; F21V 29/004
See application file for complete search history.

FIG. 1 is a top perspective view of the tail light of the present invention, it being understood that in the views, a mirror image thereof is possible;

FIG. 2 is a bottom perspective view thereof;

FIG. 3 is a front elevation view thereof;

FIG. 4 is a rear elevation view thereof;

FIG. 5 is a top view thereof;

FIG. 6 is a bottom view thereof;

FIG. 7 is a right side view thereof;

FIG. 8 is a left side view thereof; and,

FIG. 9 is a perspective view thereof in an exemplary automobile.

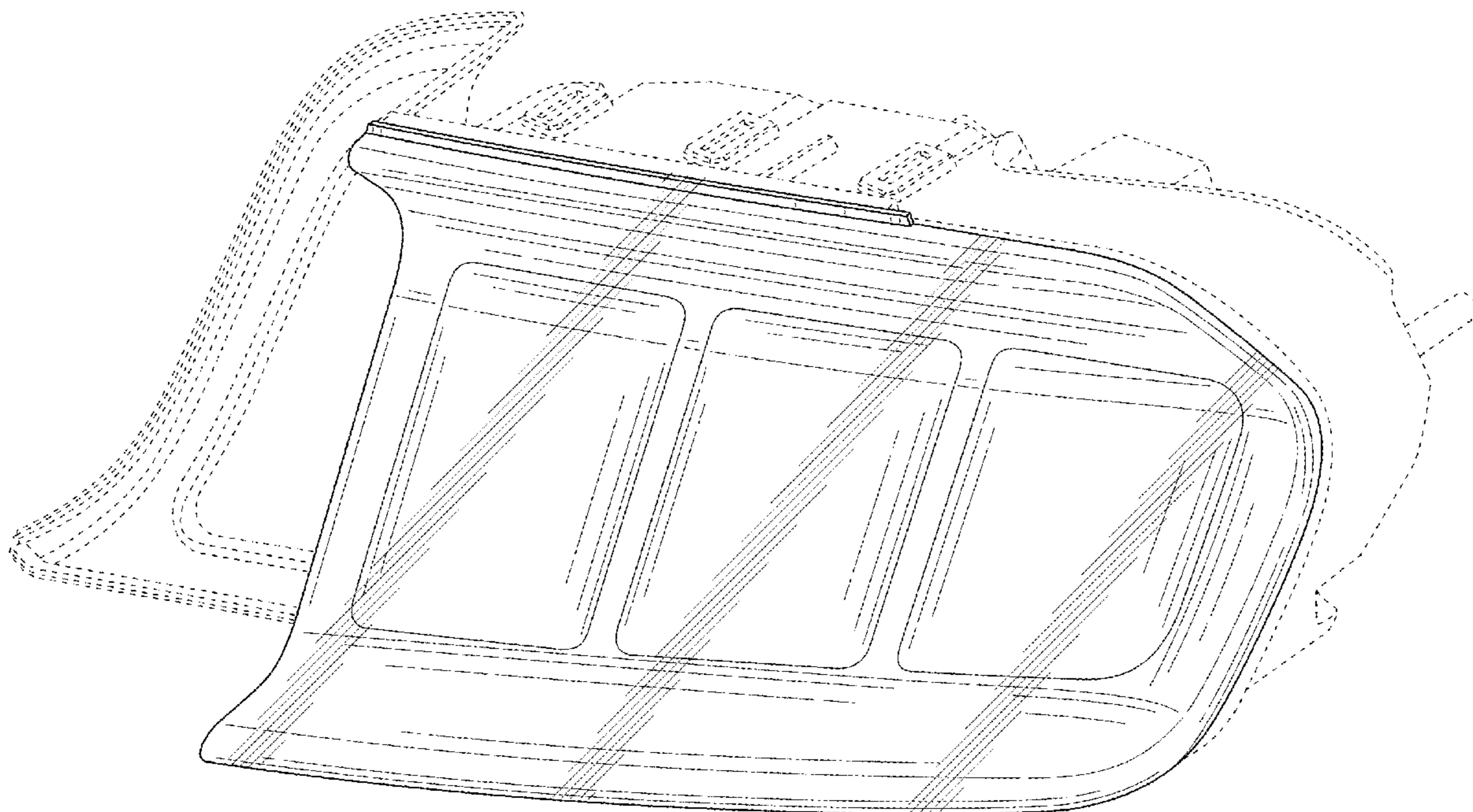
The broken lines are provided for the purpose of illustrating environmental structure(s) and form no part of the claimed design.

(56) **References Cited**

U.S. PATENT DOCUMENTS

D586,019 S * 2/2009 Hsu D26/28
D674,941 S * 1/2013 Lai D26/28

1 Claim, 9 Drawing Sheets



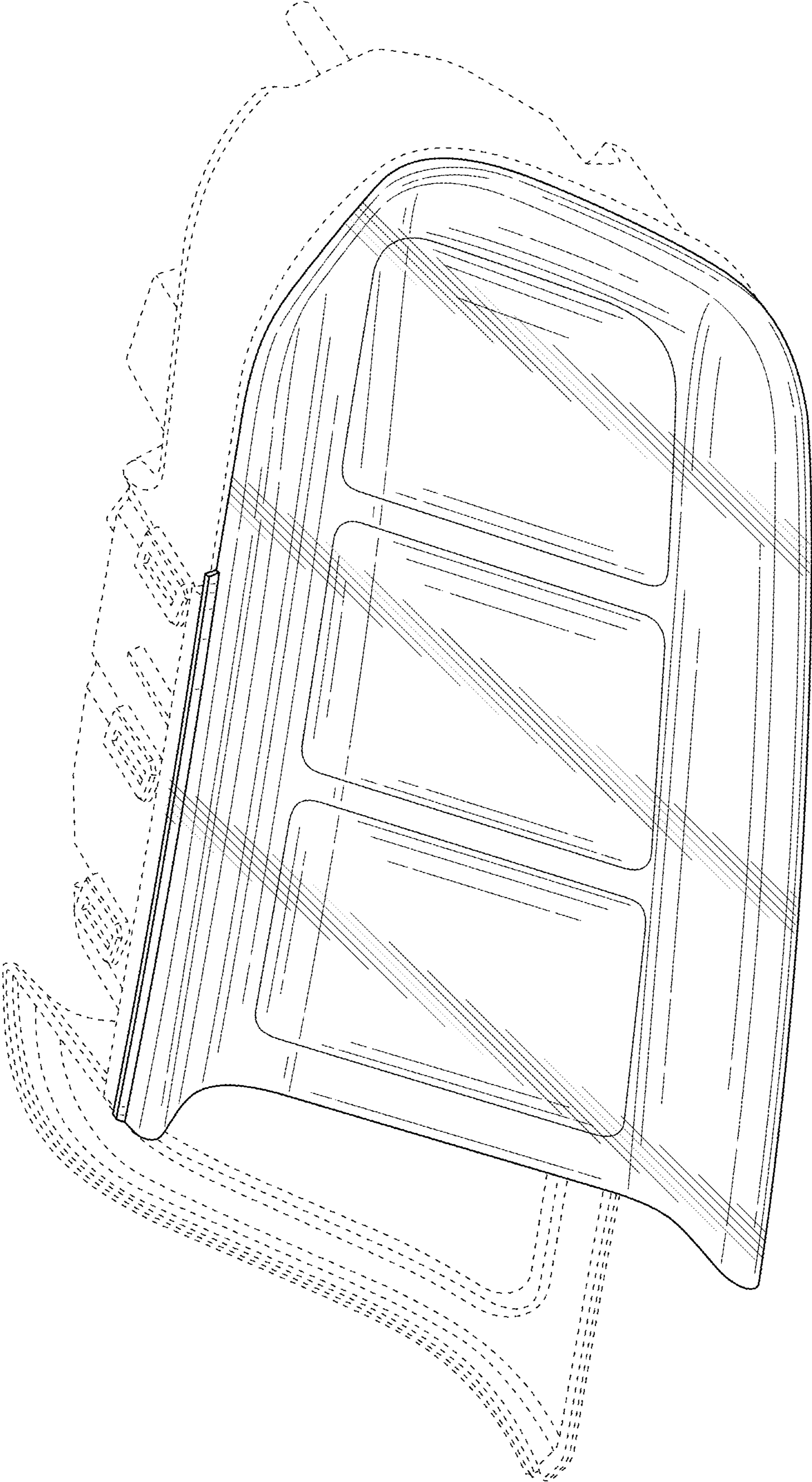


FIG. 1

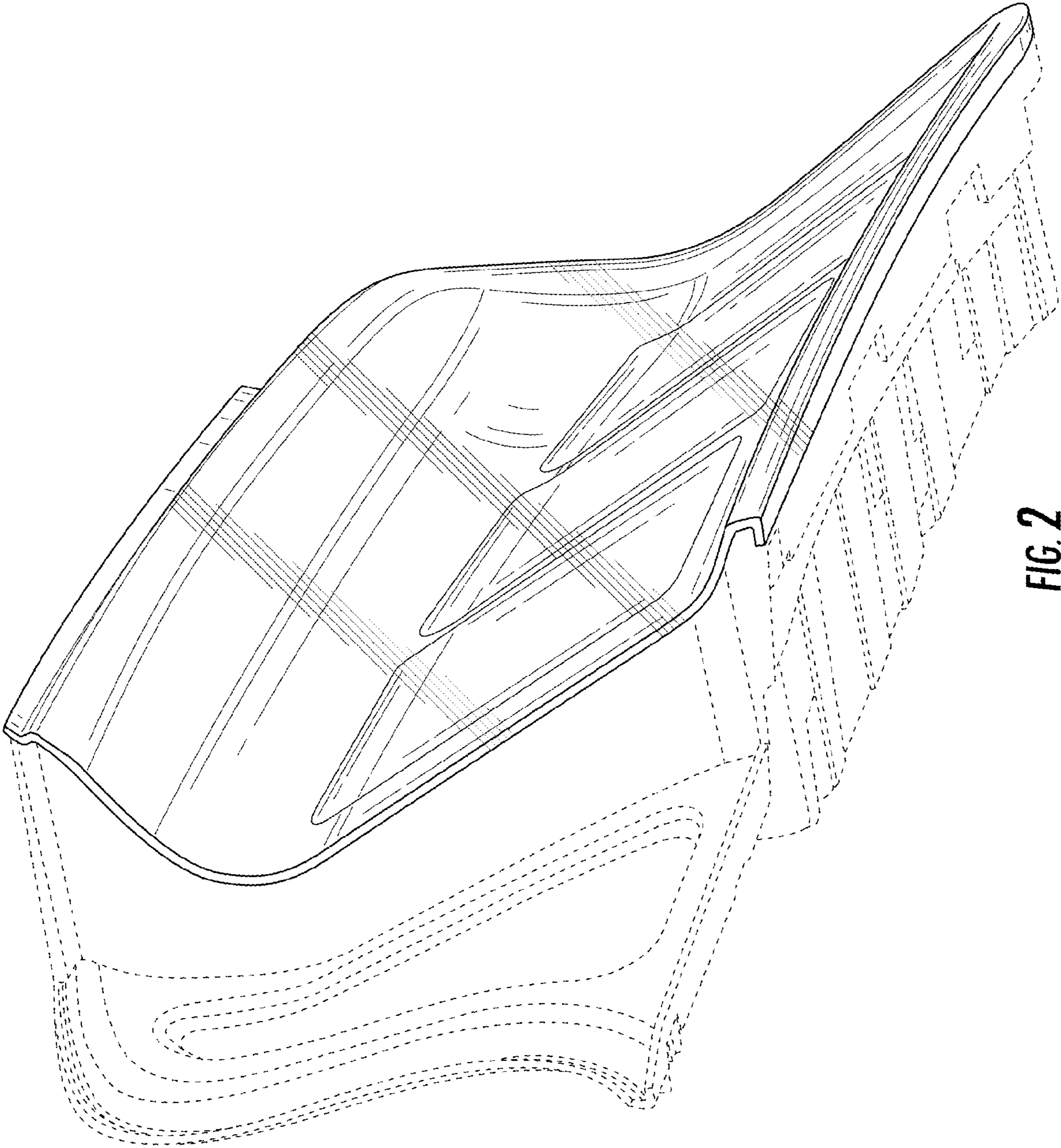


FIG. 2

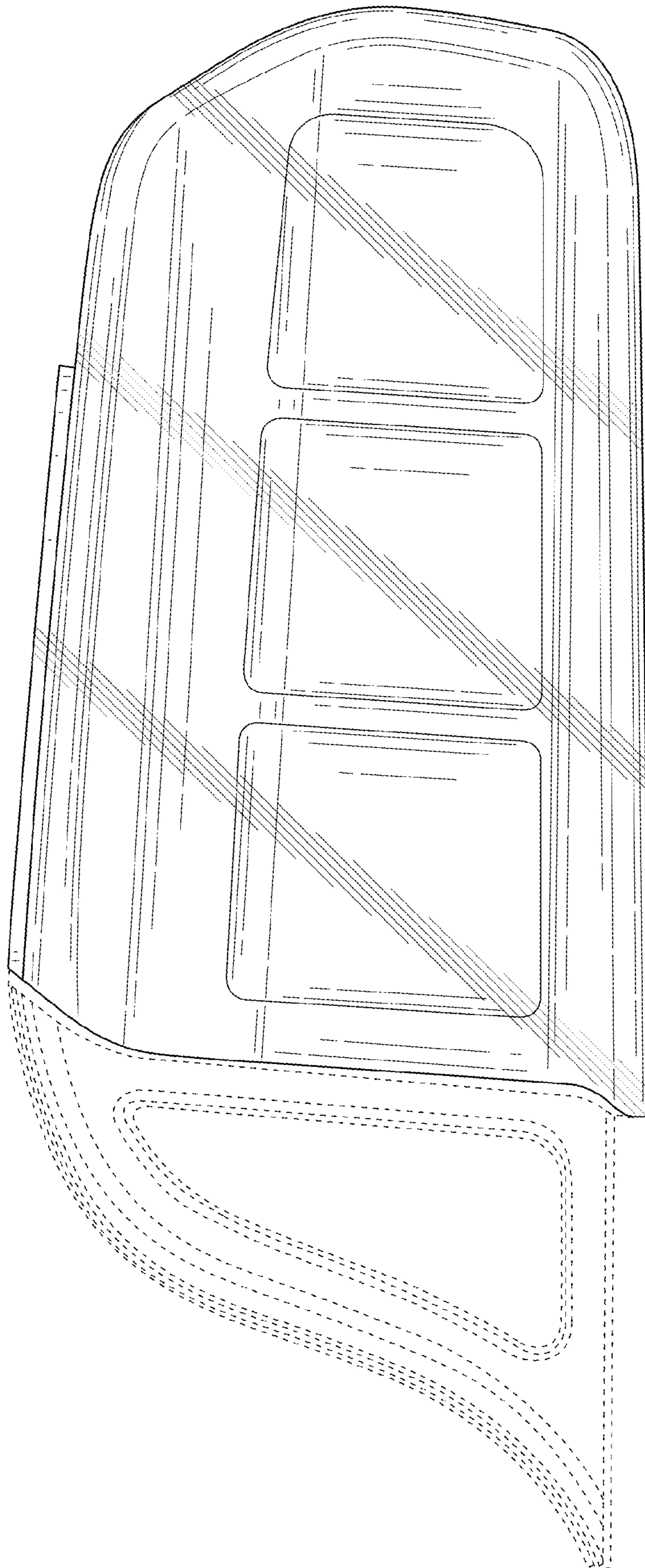


FIG. 3

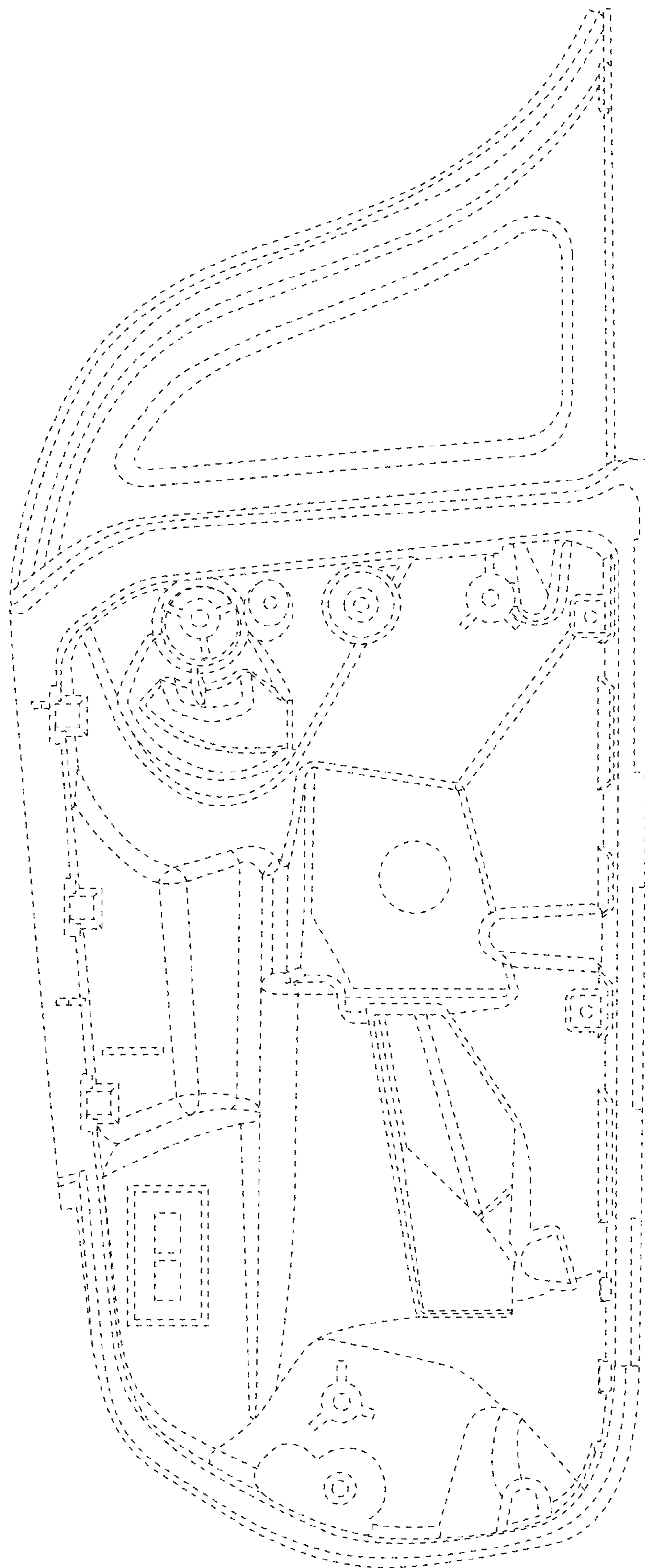


FIG. 4

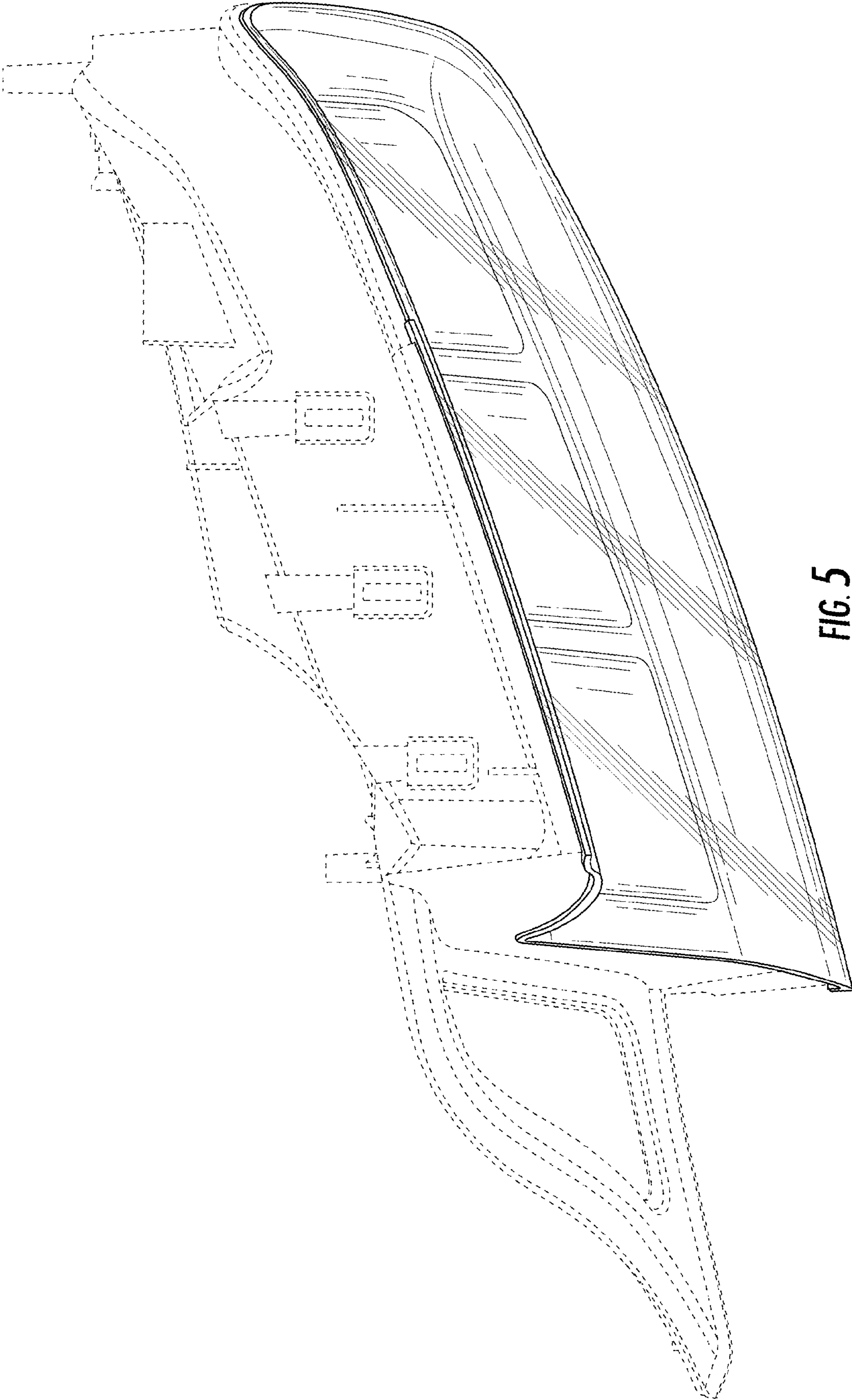


FIG. 5

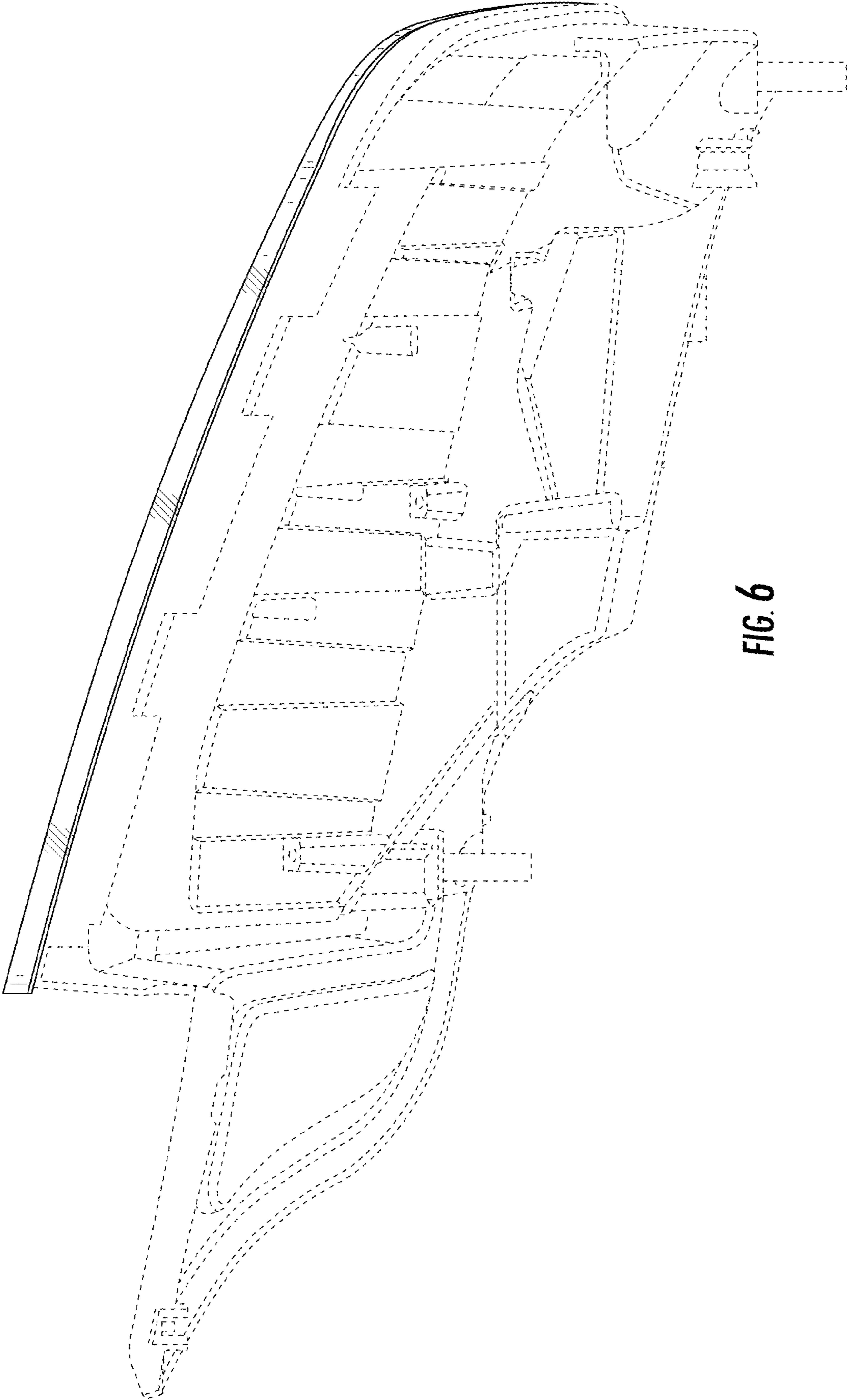


FIG. 6

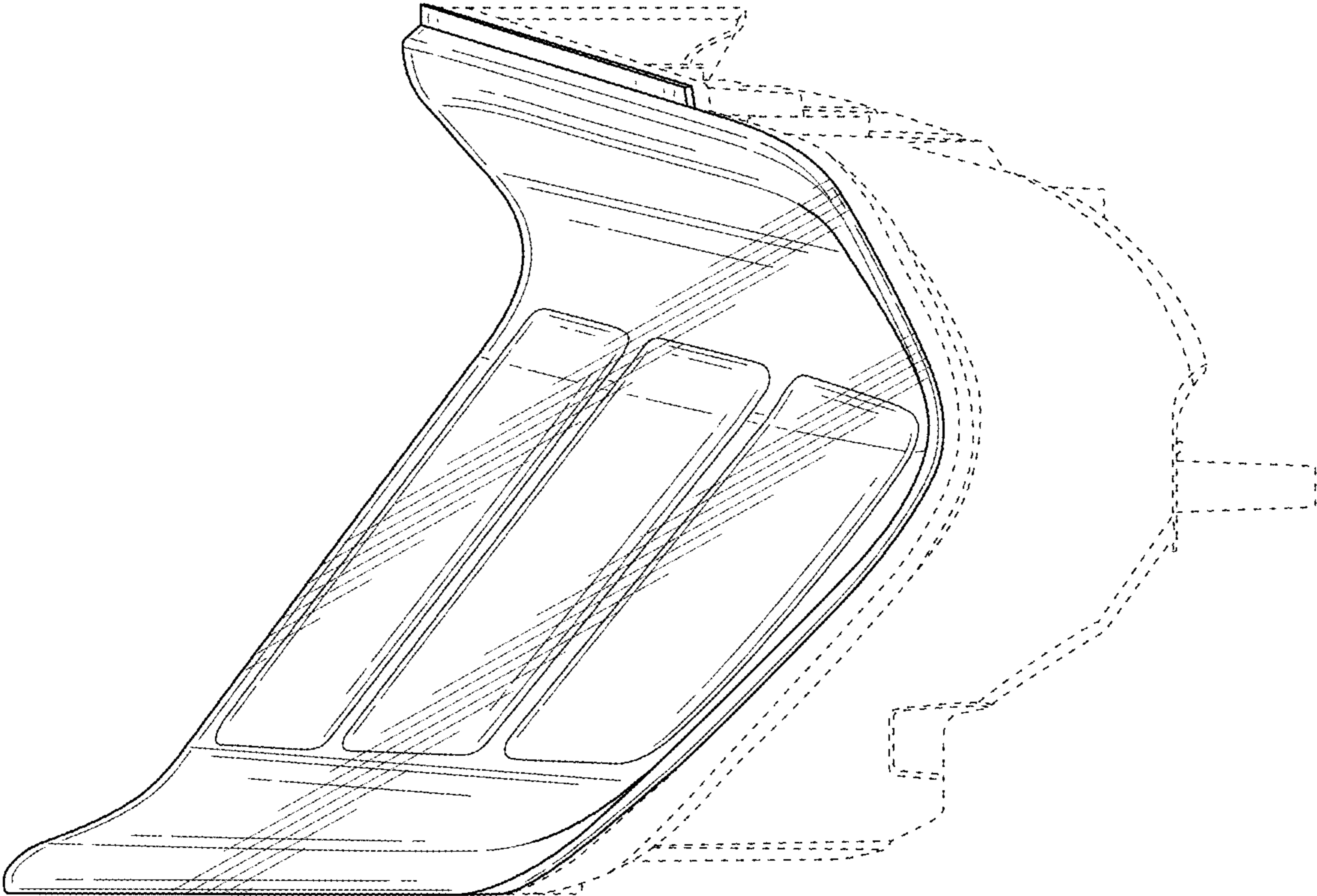


FIG. 7

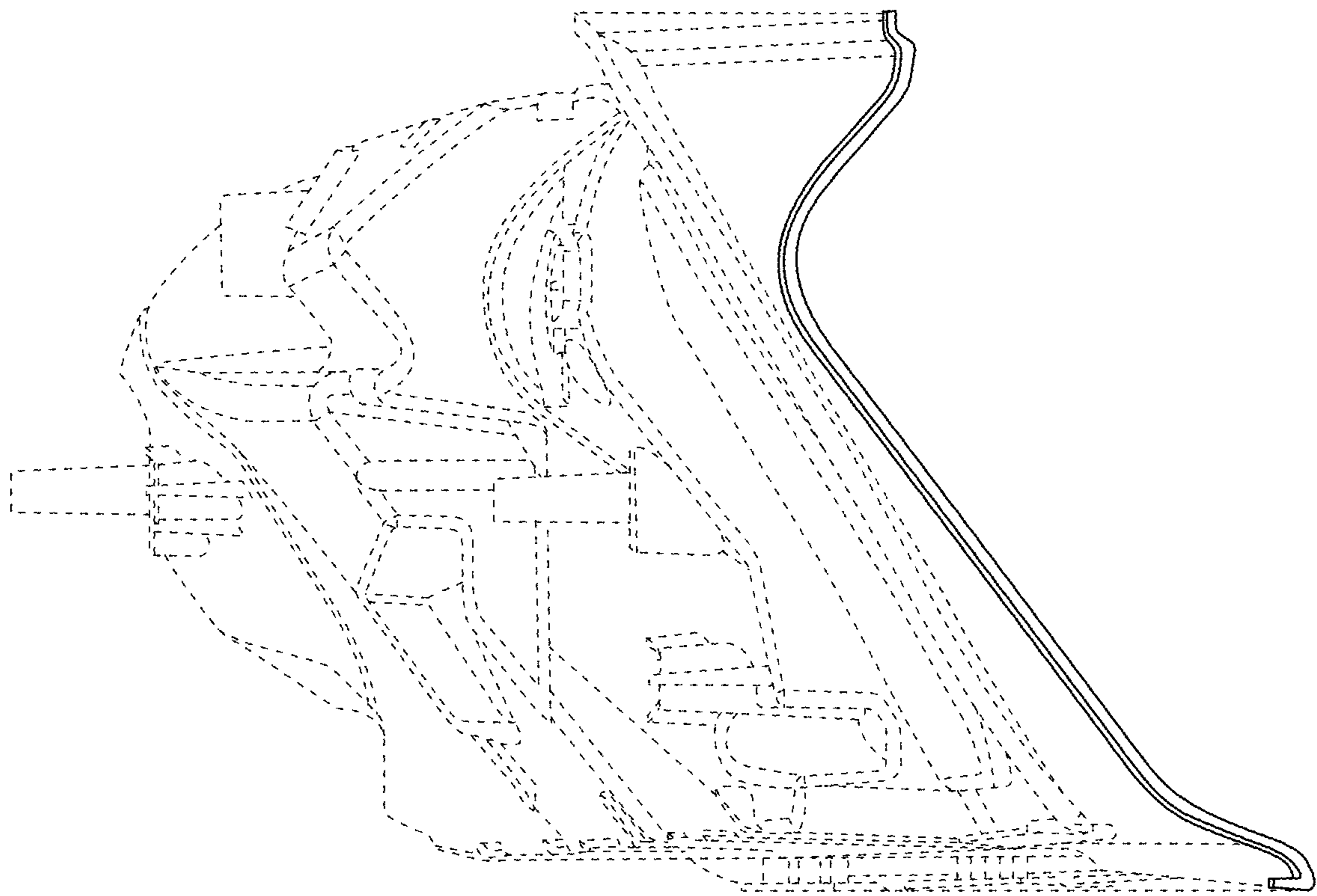


FIG. 8

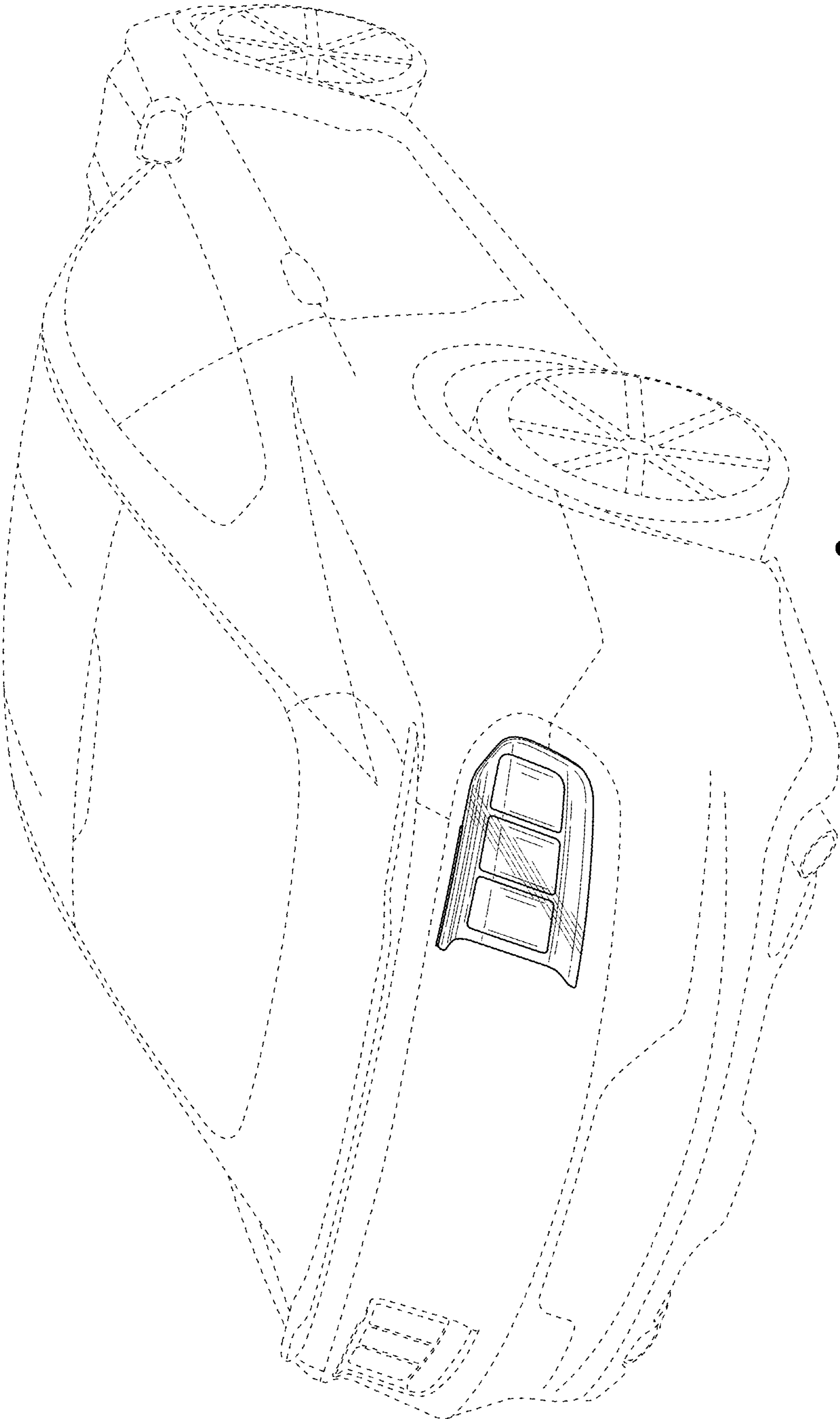


FIG. 9