



US00D877945S

(12) **United States Design Patent**
Betancourt et al.

(10) **Patent No.:** **US D877,945 S**

(45) **Date of Patent:** **** Mar. 10, 2020**

(54) **VEHICLE TAIL LAMP**

D539,450 S * 3/2007 Pfeiffer D26/28
D549,363 S * 8/2007 Pfeiffer D26/28
D686,764 S * 7/2013 Hamilton D26/28

(71) Applicant: **Ford Global Technologies, LLC,**
Dearborn, MI (US)

* cited by examiner

(72) Inventors: **Melvin Betancourt**, Shelby Township,
MI (US); **Eric Stoddard**, Birmingham,
MI (US); **Daniel J. Kangas**, Dearborn
Heights, MI (US); **Darrell P. Behmer**,
Novi, MI (US); **Craig S. Metros**,
Bloomfield, MI (US); **Christopher
Svensson**, Bloomfield, MI (US)

Primary Examiner — Marcus A Jackson

(57) **CLAIM**

The ornamental design for a vehicle tail lamp, as shown and described.

(73) Assignee: **Ford Global Technologies, LLC,**
Dearborn, MI (US)

DESCRIPTION

(**) Term: **15 Years**

FIG. 1 is a front elevational view of a vehicle tail lamp, showing our new design;
FIG. 2 is a left side elevational view thereof;
FIG. 3 is a right side elevational view thereof;
FIG. 4 is a top plan view thereof;
FIG. 5 is a bottom plan view thereof;
FIG. 6 is a top, front, and left side perspective view thereof;
and
FIG. 7 is a bottom, front, and left side perspective view thereof.
FIG. 8 is a front elevational view of a vehicle tail lamp, showing our new design;
FIG. 9 is a front elevational view of a second embodiment thereof;
FIG. 10 is a left side elevational view thereof;
FIG. 11 is a right side elevational view thereof;
FIG. 12 is a top plan view thereof;
FIG. 13 is a bottom plan view thereof;
FIG. 14 is a top, front, and left side perspective view thereof;
and,
FIG. 15 is a bottom, front, and left side perspective view thereof.

(21) Appl. No.: **29/640,731**

(22) Filed: **Mar. 16, 2018**

(51) **LOC (12) Cl.** **26-06**

(52) **U.S. Cl.**
USPC **D26/28**

(58) **Field of Classification Search**
USPC D26/28-36, 139
CPC F21S 48/00; F21S 48/10; F21S 48/115;
F21S 48/225; F21S 48/1233; F21S
48/1266; F21S 48/1388; F21S 48/2268;
F21V 21/04; B60Q 9/13; B60Q 9/135;
B60Q 9/1375

See application file for complete search history.

(56) **References Cited**

U.S. PATENT DOCUMENTS

D498,013 S * 11/2004 Pfeiffer D26/28
D523,976 S * 6/2006 Pfeiffer D26/28

1 Claim, 15 Drawing Sheets

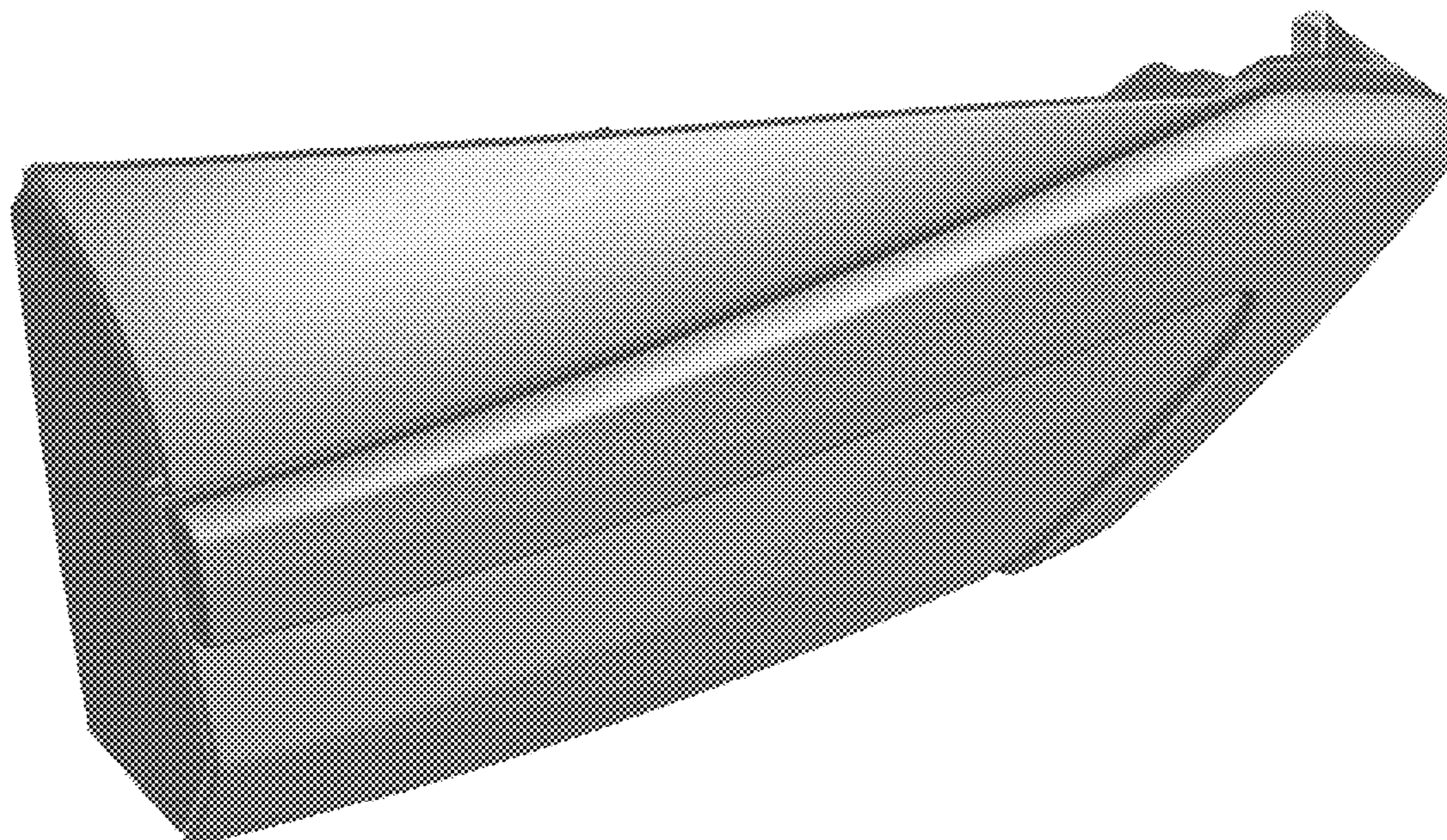




Fig. 1

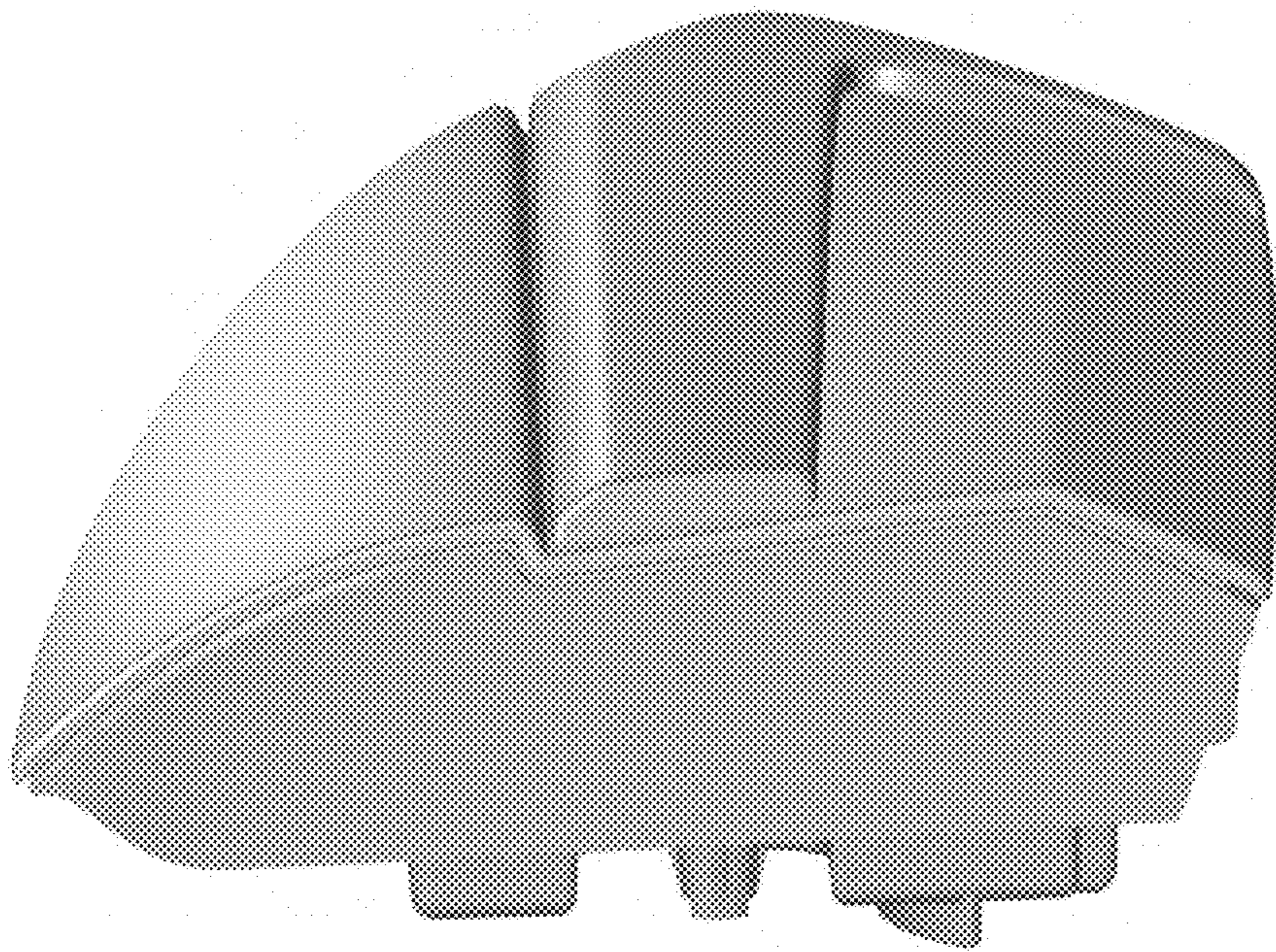


Fig. 2

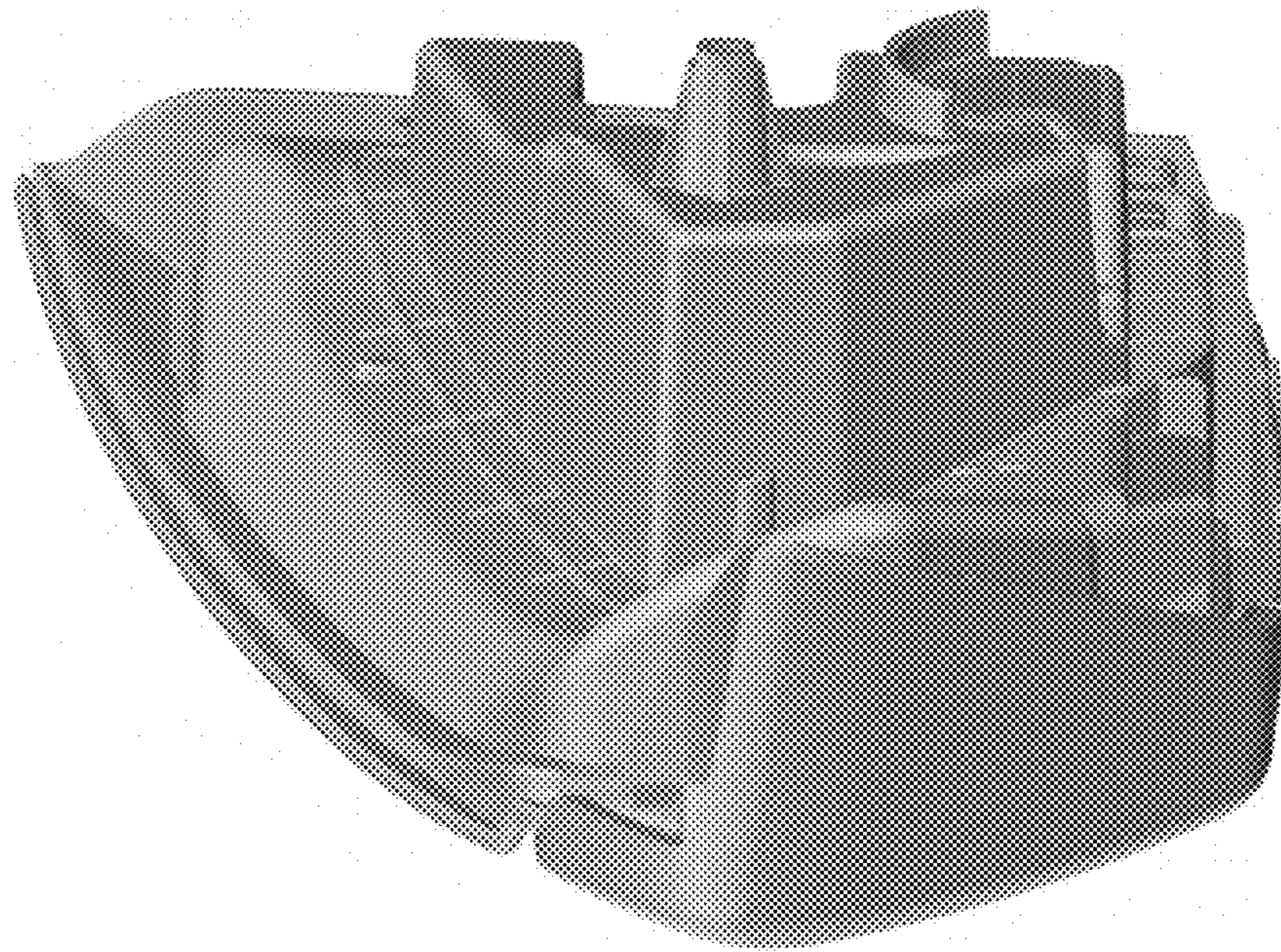


Fig. 3

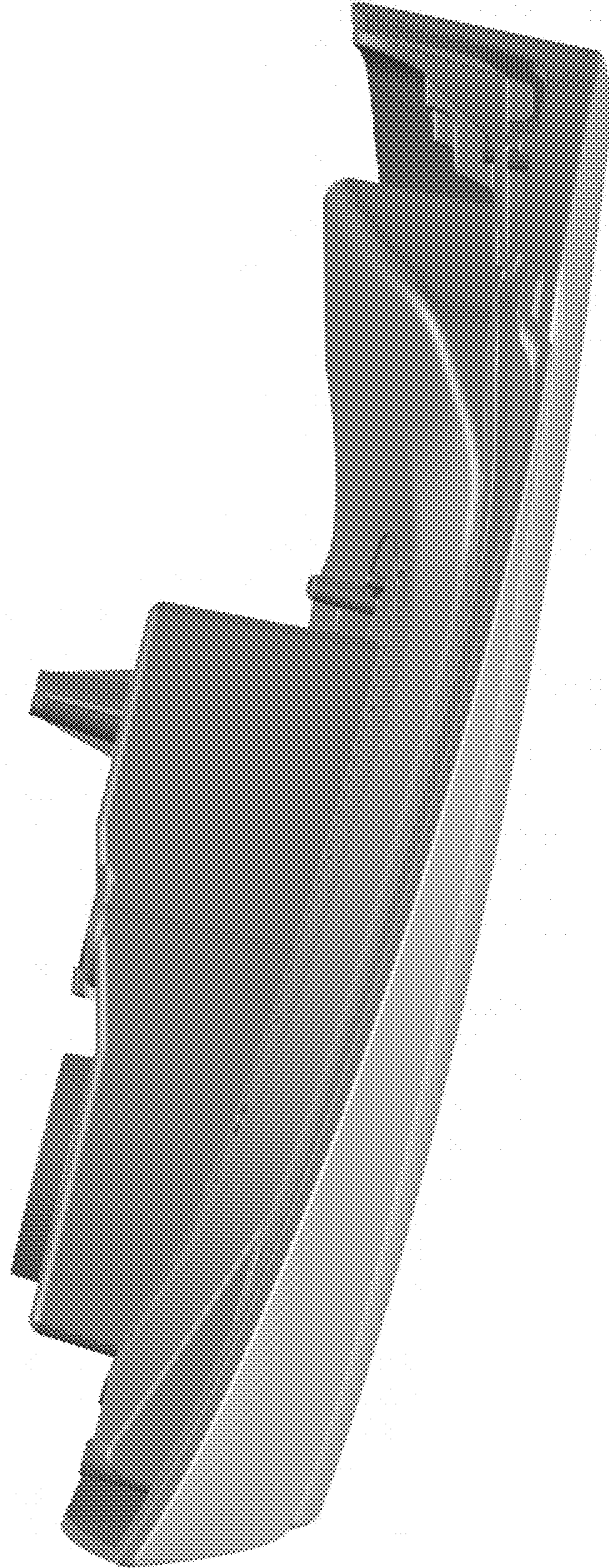
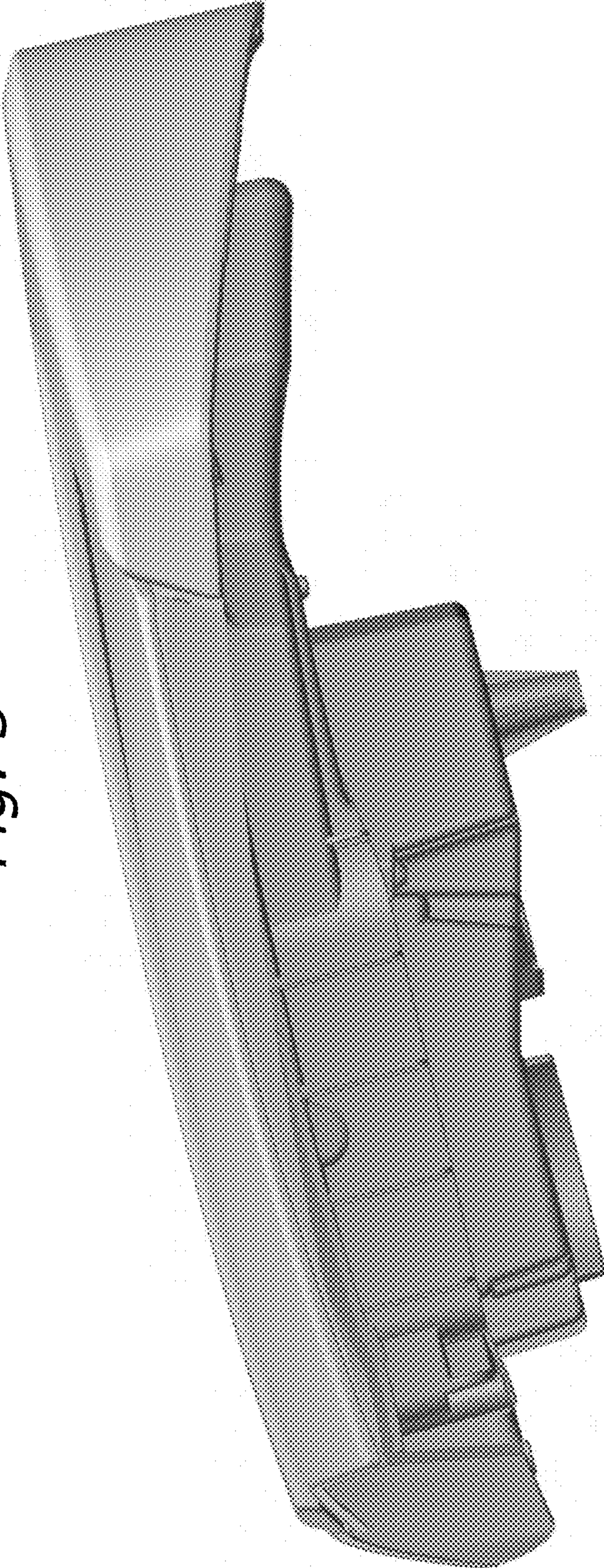


Fig. 4

Fig. 5



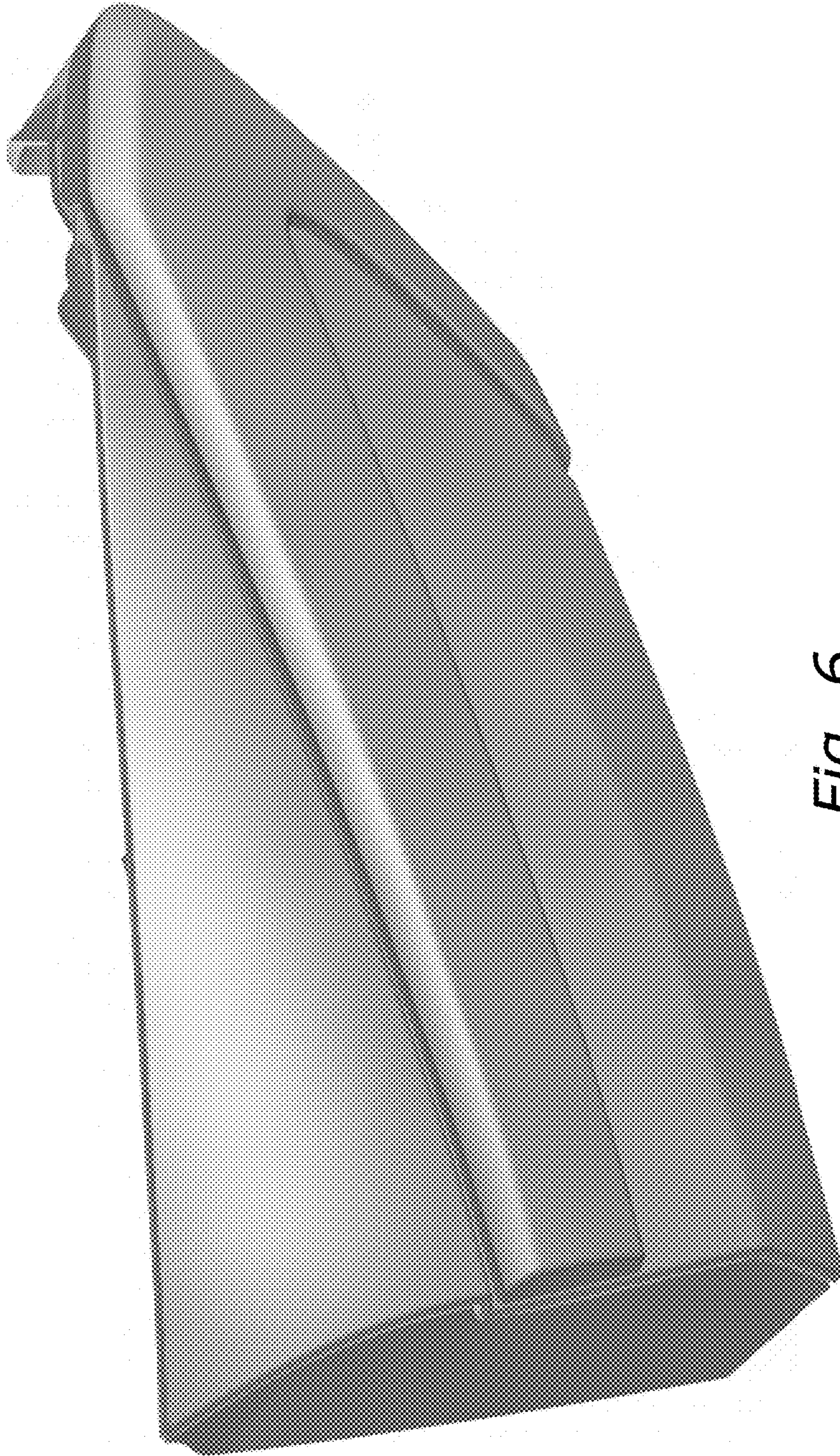


Fig. 6

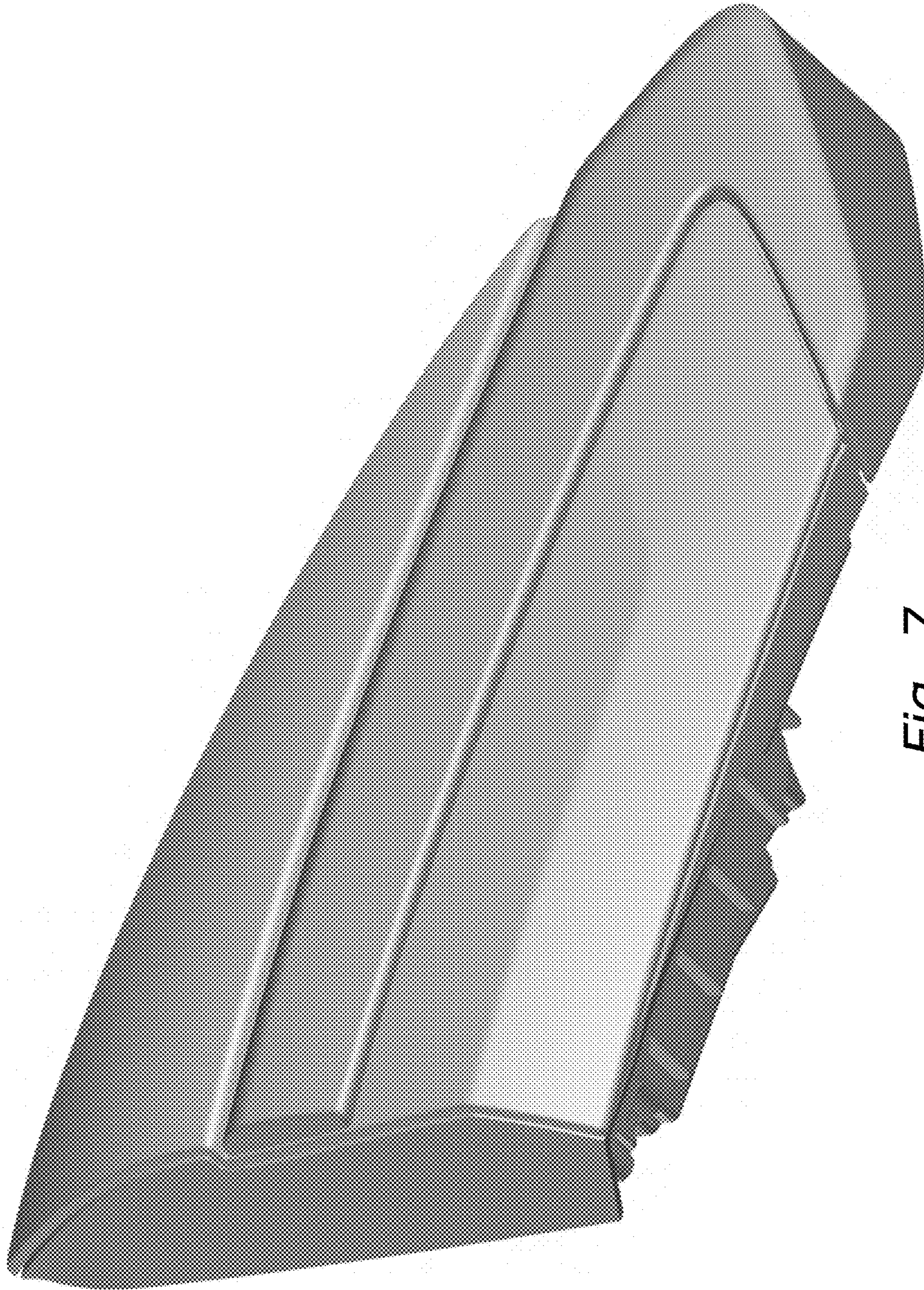


Fig. 7

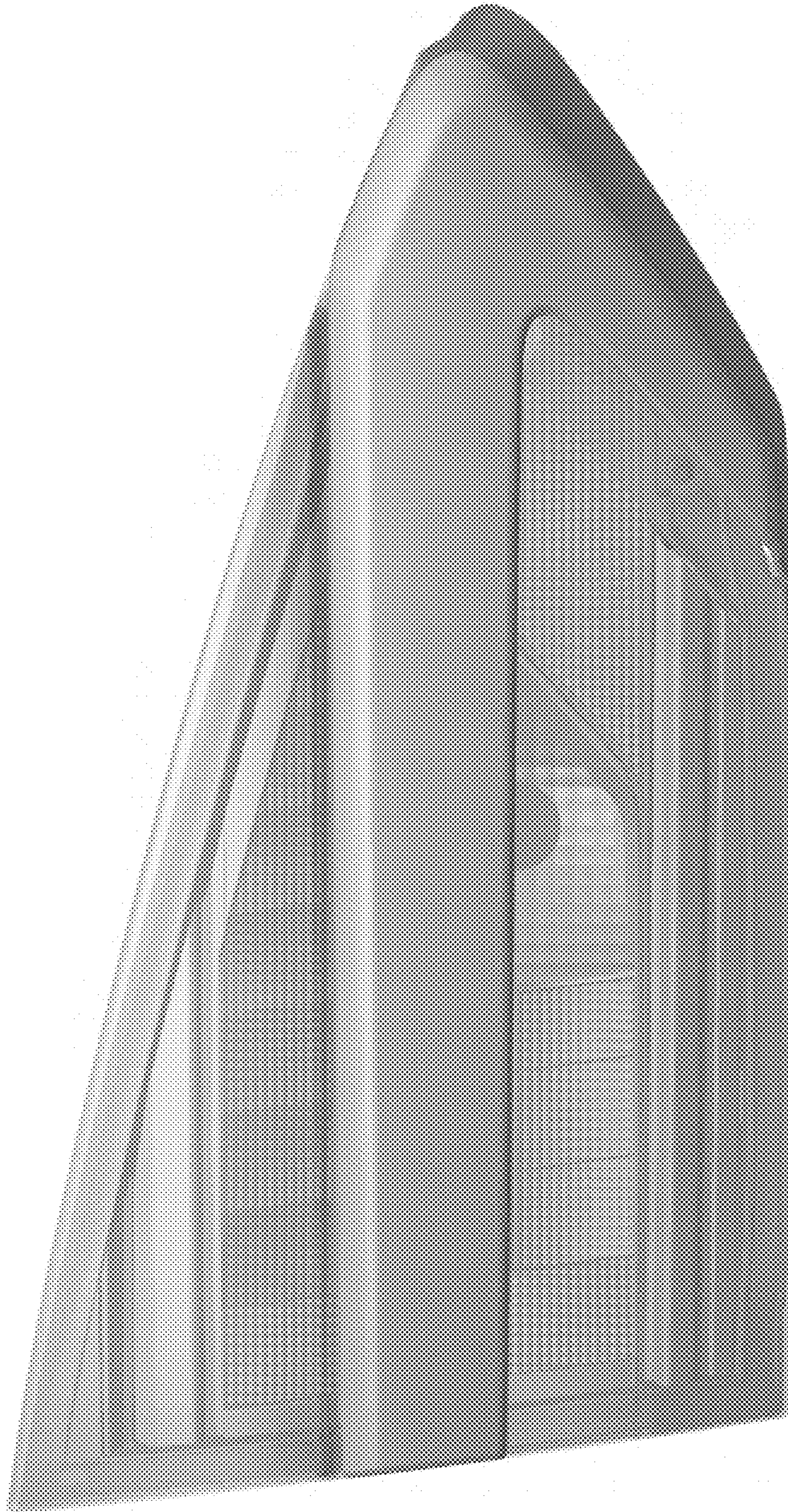


Fig. 8

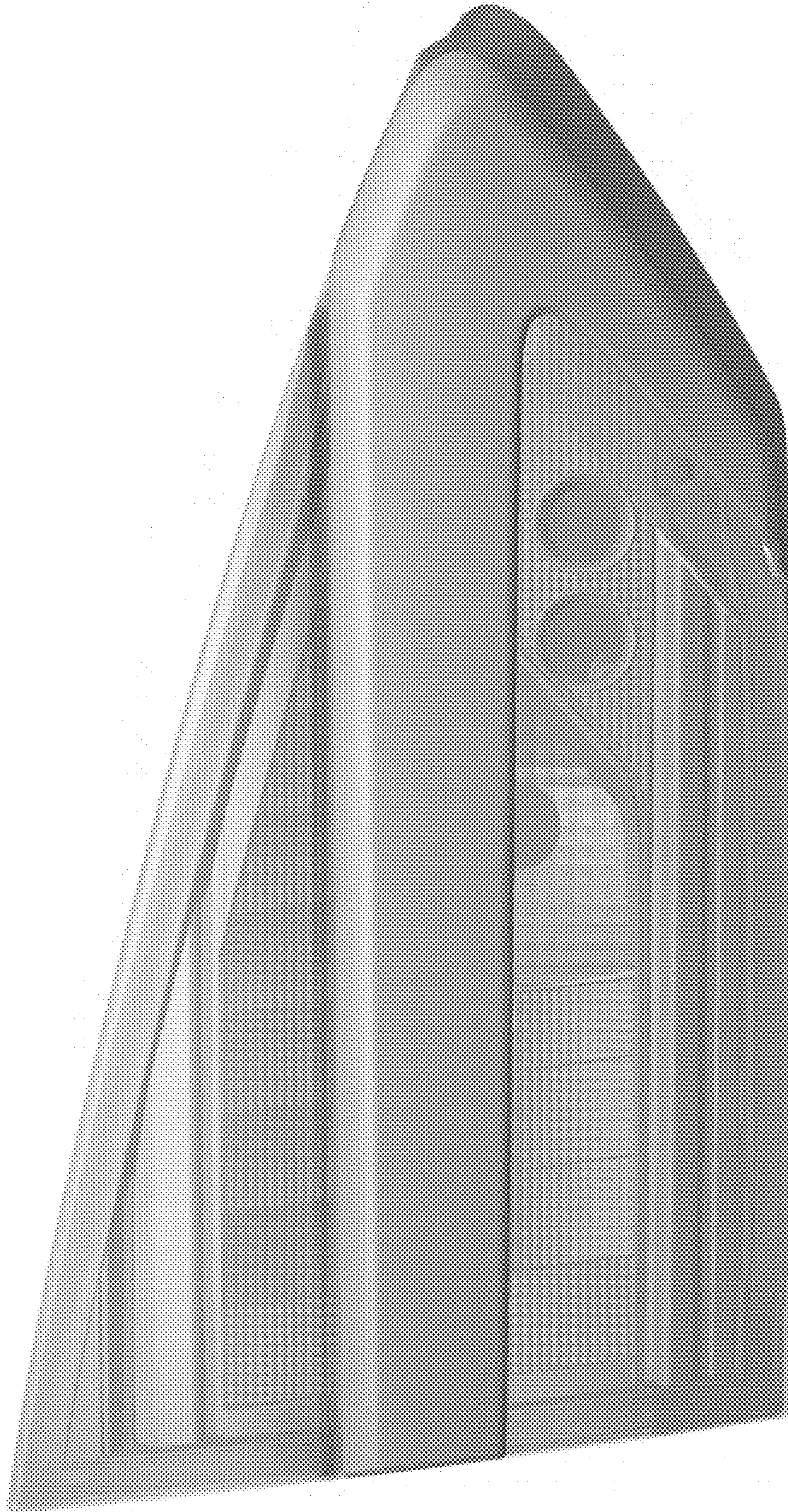


Fig. 9

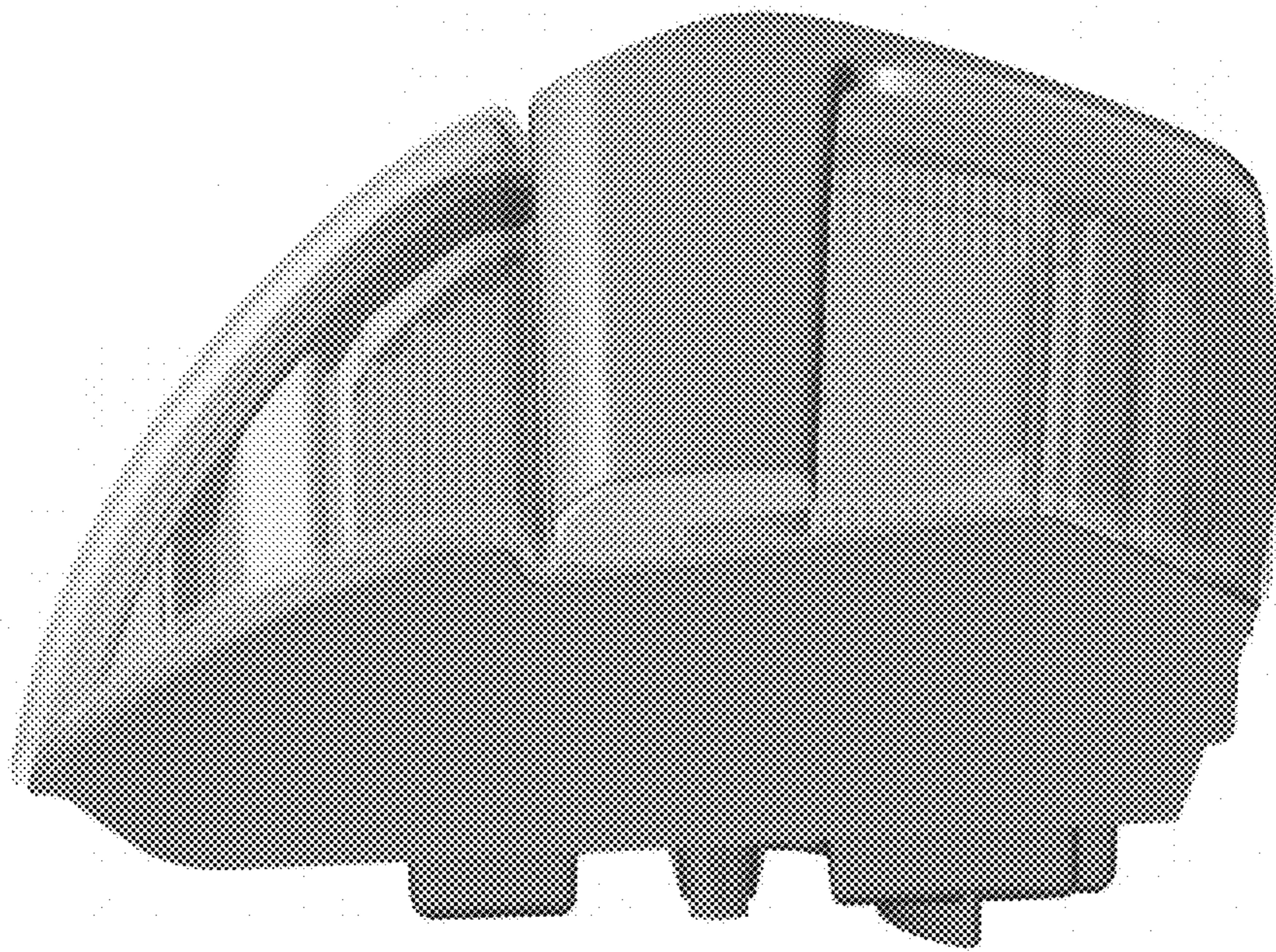


Fig. 10

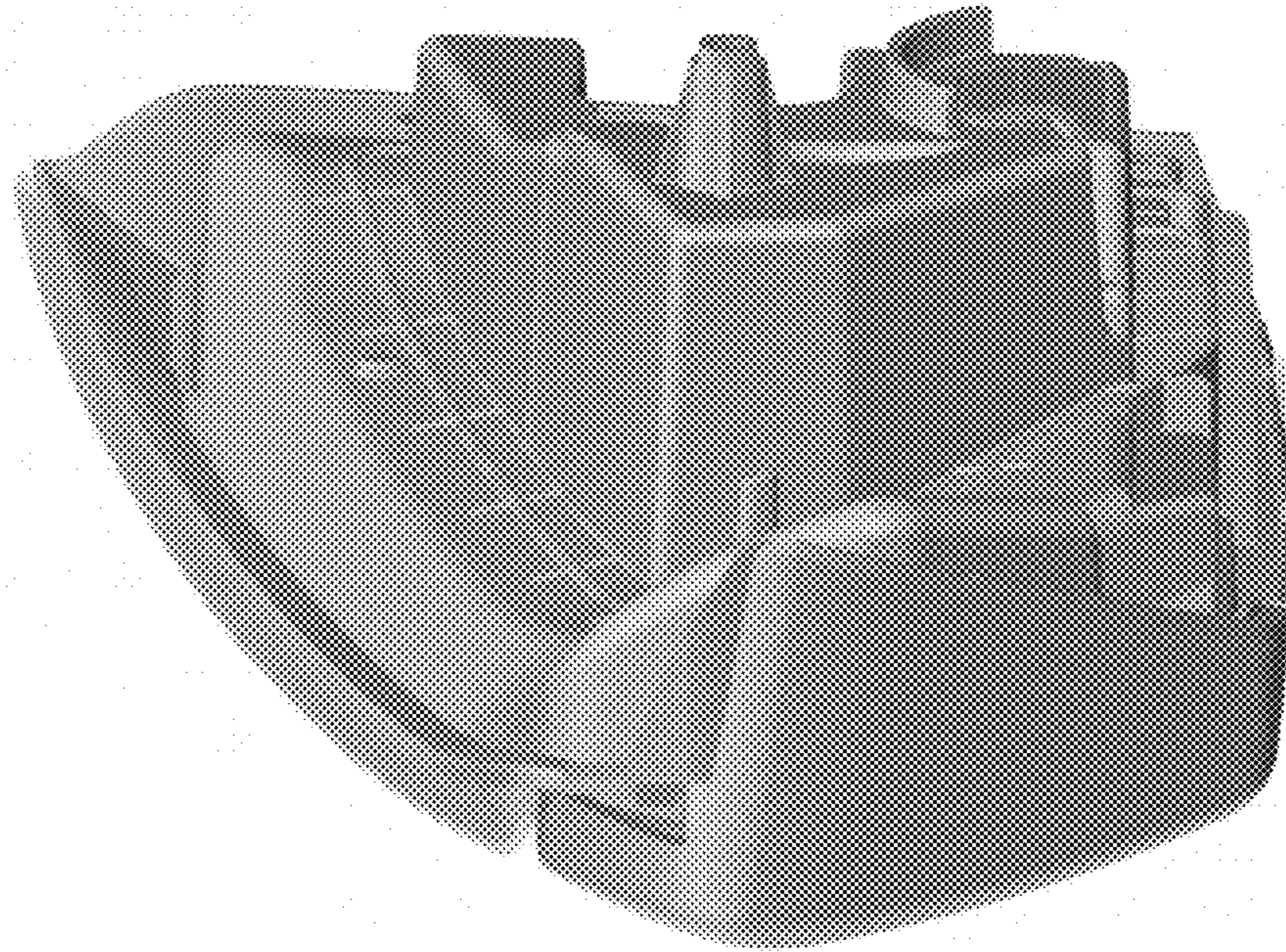


Fig. 11

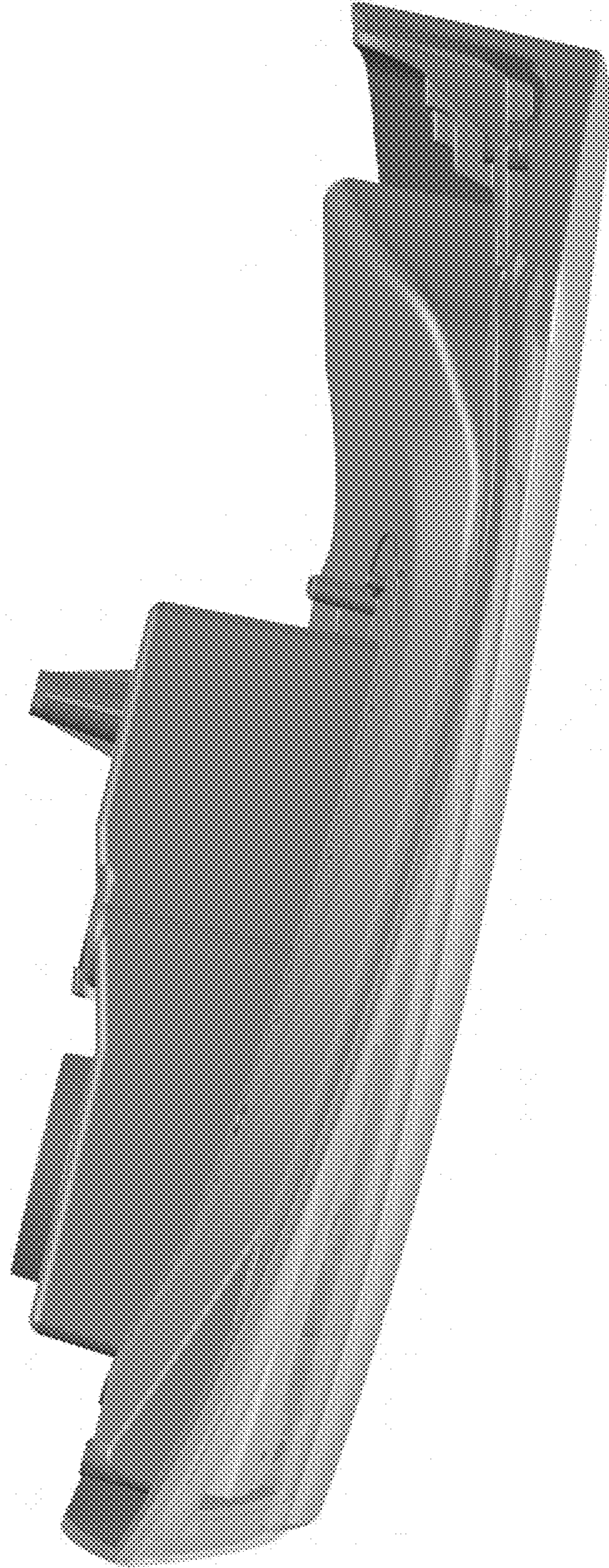
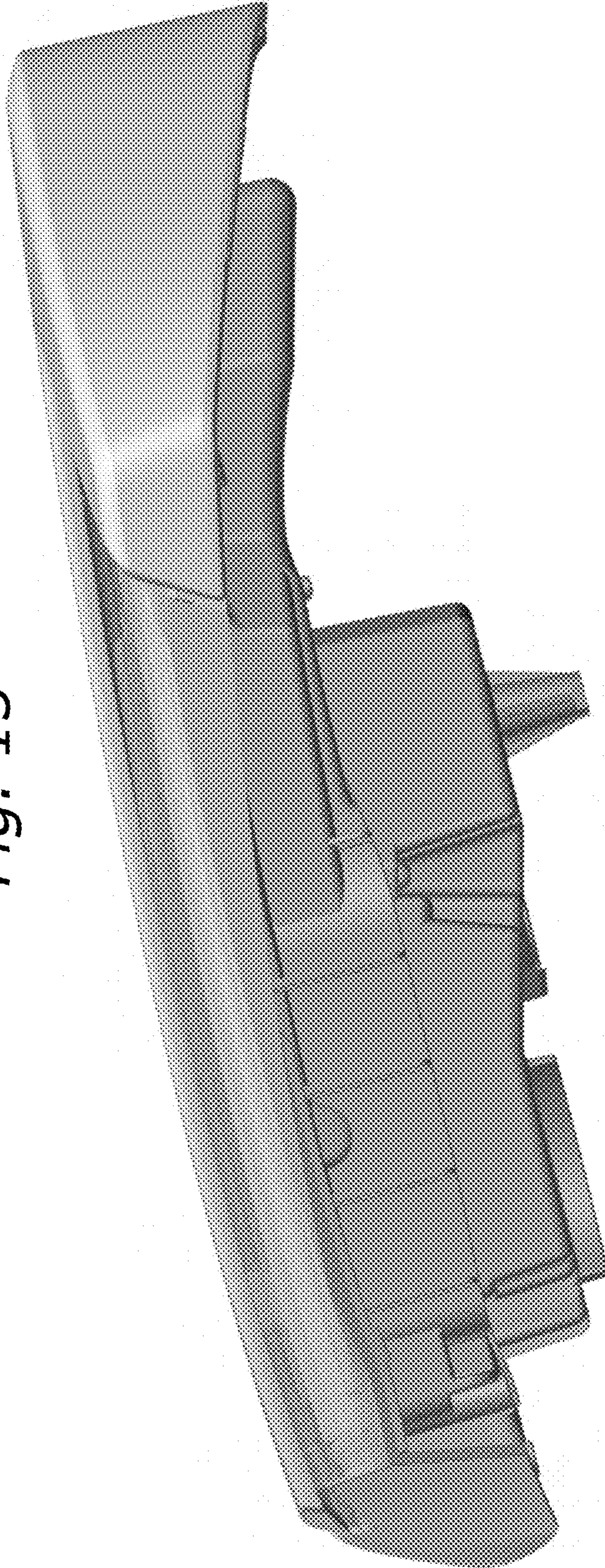


Fig. 12

Fig. 13



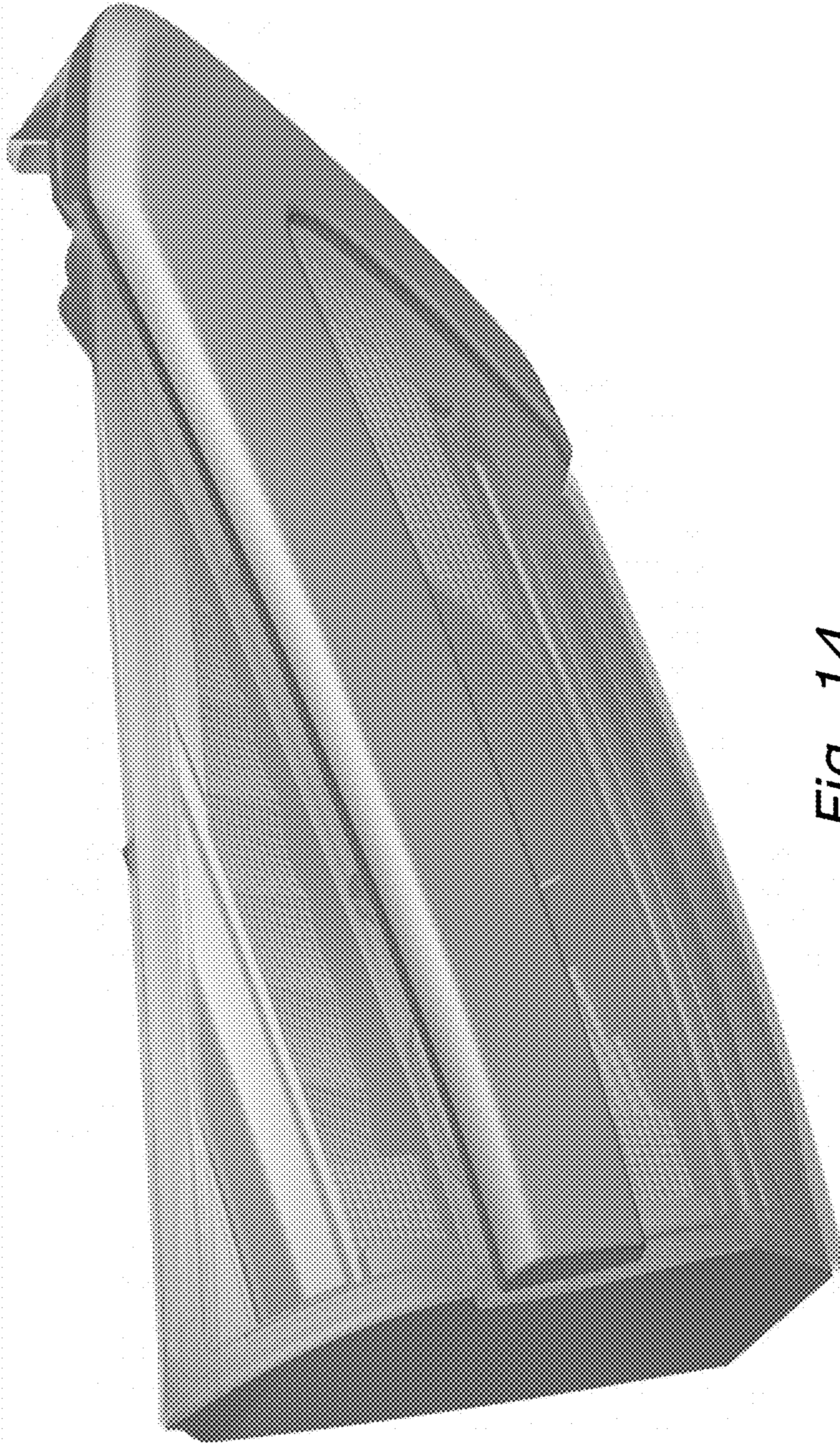


Fig. 14

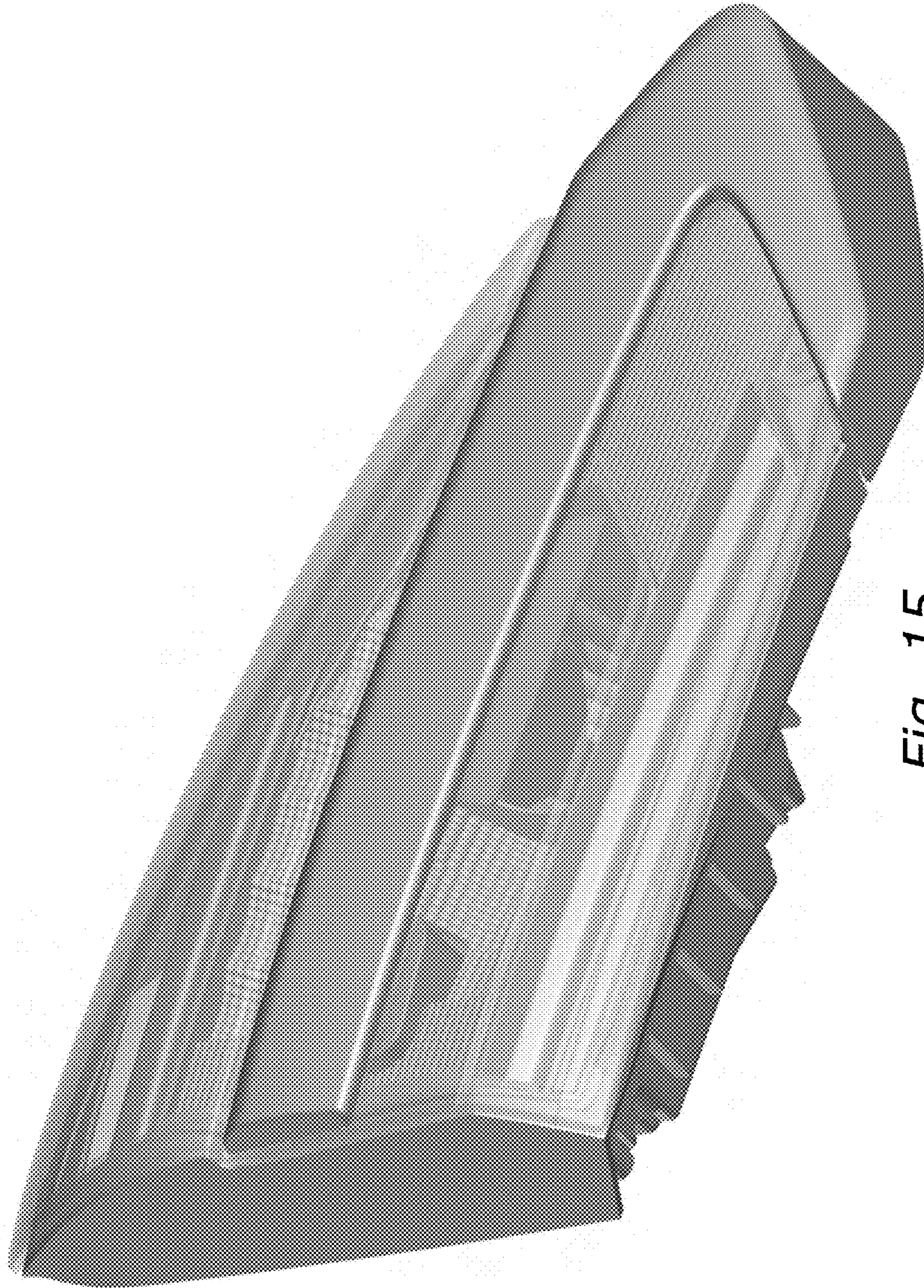


Fig. 15