



US00D877942S

(12) **United States Design Patent** (10) **Patent No.:** **US D877,942 S**  
**Bucher et al.** (45) **Date of Patent:** **\*\* Mar. 10, 2020**

(54) **VEHICLE HEADLIGHT**

(71) Applicant: **Ford Global Technologies, LLC**,  
Dearborn, MI (US)  
(72) Inventors: **George Bucher**, Dearborn, MI (US);  
**Craig S. Metros**, Bloomfield, MI (US);  
**Dean Carbis**, Bloomfield Hills, MI  
(US); **Steven Gilmore**, Farmington  
Hills, MI (US); **Jesse R. Diephuis**,  
West Bloomfield, MI (US)  
(73) Assignee: **Ford Global Technologies, LLC**,  
Dearborn, MI (US)

(\*\*) Term: **15 Years**

(21) Appl. No.: **29/631,977**

(22) Filed: **Jan. 4, 2018**

(51) **LOC (12) Cl.** ..... **26-06**

(52) **U.S. Cl.** ..... **D26/28**

USPC ..... **D26/28**

(58) **Field of Classification Search**

USPC ..... D26/28-36, 139

(Continued)

(56) **References Cited**

U.S. PATENT DOCUMENTS

D803,439 S \* 11/2017 Oh ..... D26/28

D806,921 S \* 1/2018 Ryu ..... D26/28

(Continued)

*Primary Examiner* — Marcus A Jackson

(57) **CLAIM**

The ornamental design for a vehicle headlight, as shown and described.

**DESCRIPTION**

FIG. 1 is a front elevational view of a vehicle headlight, showing our new design;

FIG. 2 is a rear elevational view thereof;

FIG. 3 is a left side elevational view thereof;

FIG. 4 is a right side elevational view thereof;

FIG. 5 is a top plan view thereof;

FIG. 6 is a bottom plan view thereof;

FIG. 7 is a top, front, and left side perspective view thereof;

FIG. 8 is a bottom, front, and left side perspective view thereof; and

FIG. 9 is a top, rear, and left side perspective view thereof.

FIG. 10 is a front elevational view of a second embodiment of a vehicle headlight, showing our new design;

FIG. 11 is a rear elevational view thereof;

FIG. 12 is a left side elevational view thereof;

FIG. 13 is a right side elevational view thereof;

FIG. 14 is a top plan view thereof;

FIG. 15 is a bottom plan view thereof;

FIG. 16 is a top, front, and left side perspective view thereof;

FIG. 17 is a bottom, front, and left side perspective view thereof; and

FIG. 18 is a top, rear, and left side perspective view thereof.

FIG. 19 is a front elevational view of a third embodiment of a vehicle headlight, showing our new design;

FIG. 20 is a rear elevational view thereof;

FIG. 21 is a left side elevational view thereof;

FIG. 22 is a right side elevational view thereof;

FIG. 23 is a top plan view thereof;

FIG. 24 is a bottom plan view thereof;

FIG. 25 is a top, front, and left side perspective view thereof;

FIG. 26 is a bottom, front, and left side perspective view thereof; and

FIG. 27 is a top, rear, and left side perspective view thereof.

FIG. 28 is a front elevational view of a fourth embodiment of a vehicle headlight, showing our new design;

FIG. 29 is a rear elevational view thereof;

FIG. 30 is a left side elevational view thereof;

FIG. 31 is a right side elevational view thereof;

FIG. 32 is a top plan view thereof;

FIG. 33 is a bottom plan view thereof;

FIG. 34 is a top, front, and left side perspective view thereof;

FIG. 35 is a bottom, front, and left side perspective view thereof; and

FIG. 36 is a top, rear, and left side perspective view thereof.

FIG. 37 is a front elevational view of a fifth embodiment of a vehicle headlight, showing our new design;

FIG. 38 is a rear elevational view thereof;

FIG. 39 is a left side elevational view thereof;

FIG. 40 is a right side elevational view thereof;

FIG. 41 is a top plan view thereof;

(Continued)

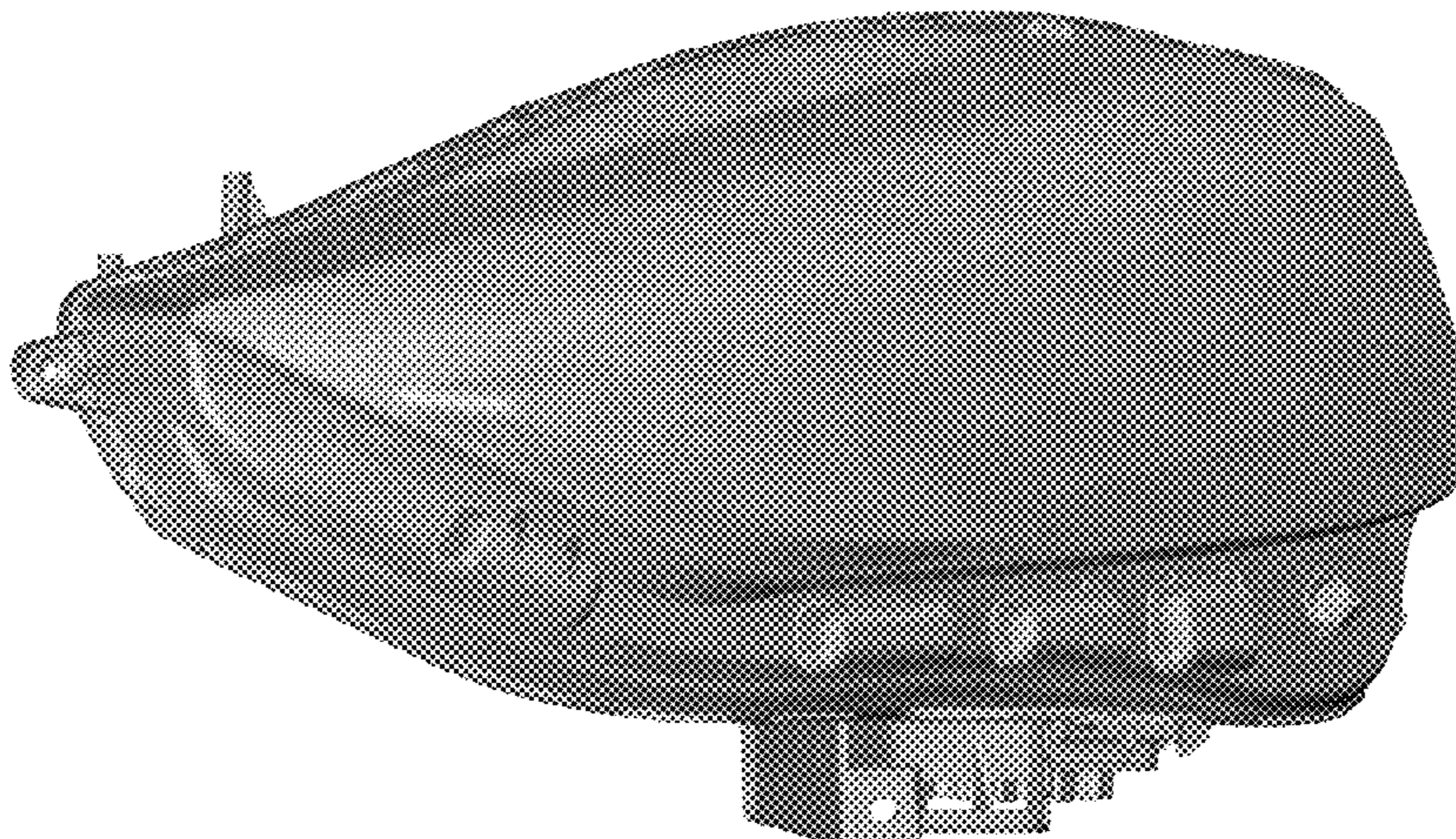


FIG. 42 is a bottom plan view thereof;  
FIG. 43 is a top, front, and left side perspective view thereof;  
FIG. 44 is a bottom, front, and left side perspective view thereof; and  
FIG. 45 is a top, rear, and left side perspective view thereof.  
FIG. 46 is a front elevational view of a sixth embodiment of a vehicle headlight, showing our new design;  
FIG. 47 is a rear elevational view thereof;  
FIG. 48 is a left side elevational view thereof;  
FIG. 49 is a right side elevational view thereof;  
FIG. 50 is a top plan view thereof;  
FIG. 51 is a bottom plan view thereof;  
FIG. 52 is a top, front, and left side perspective view thereof;  
FIG. 53 is a bottom, front, and left side perspective view thereof; and,  
FIG. 54 is a top, rear, and left side perspective view thereof.

**1 Claim, 54 Drawing Sheets**

(58) **Field of Classification Search**

CPC ..... F21S 48/00; F21S 48/10; F21S 48/115;  
F21S 48/225; F21S 48/1233; F21S  
48/1266; F21S 48/1388; F21S 48/2268;  
F21V 21/04; B60Q 9/13; B60Q 9/135;  
B60Q 9/1375

See application file for complete search history.

(56) **References Cited**

U.S. PATENT DOCUMENTS

D807,547	S	*	1/2018	Lin	.....	D26/28
D810,974	S	*	2/2018	Sato	.....	D26/28
D811,633	S	*	2/2018	Gould	.....	D26/28
D812,263	S	*	3/2018	Minamiyama	.....	D26/28
D812,789	S	*	3/2018	Dos Santos	.....	D26/28

\* cited by examiner

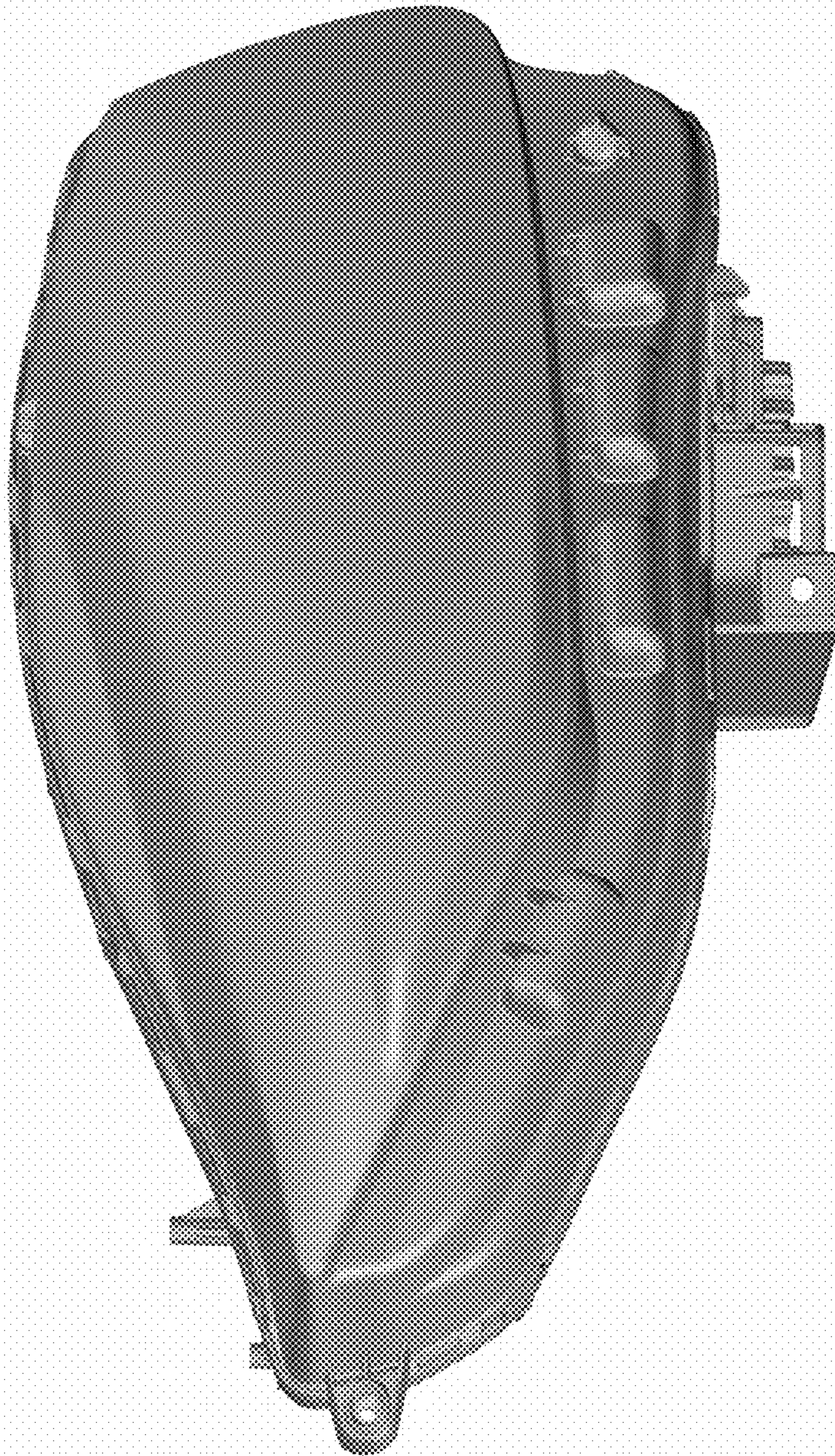


Fig. 1

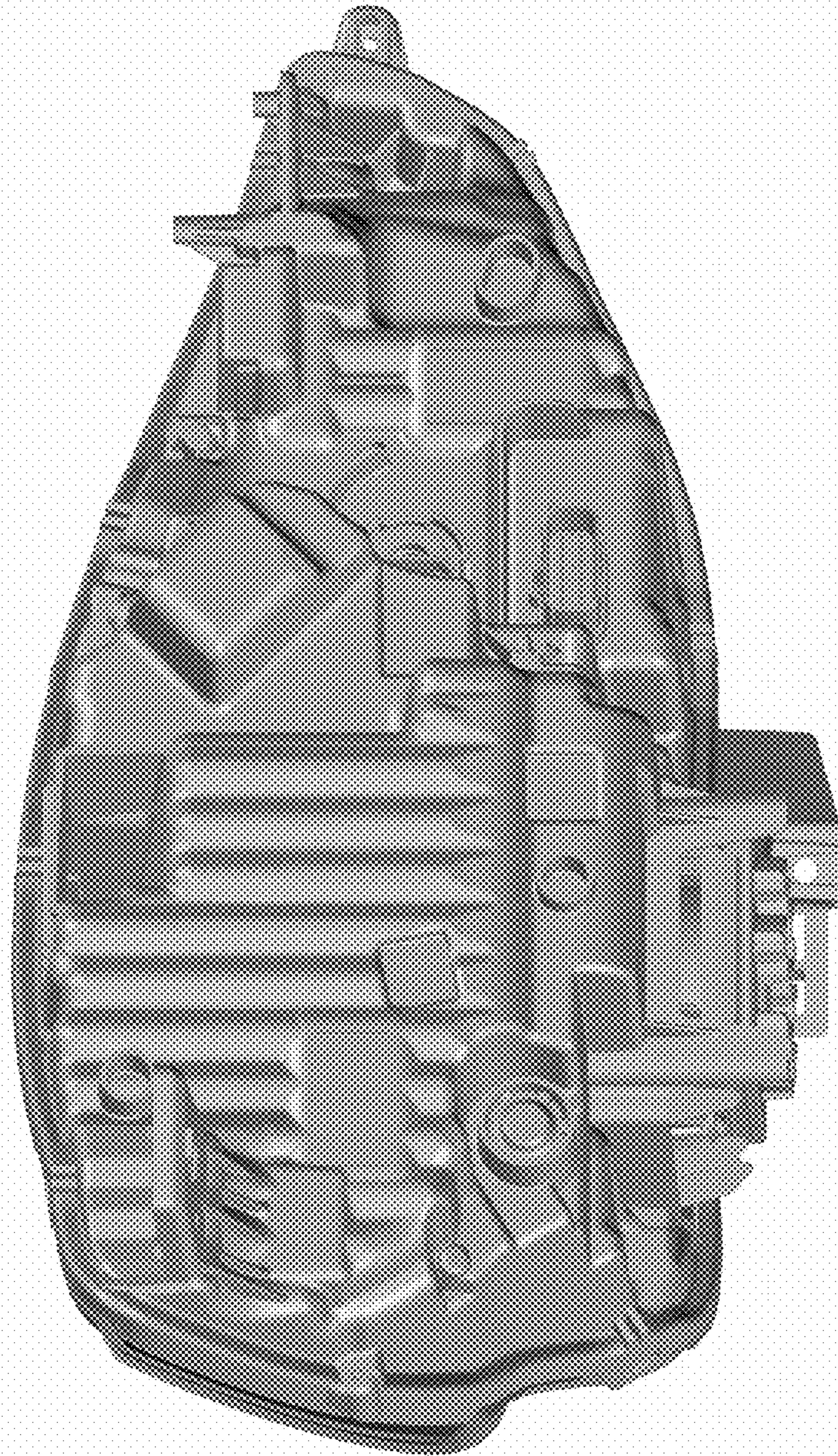


Fig. 2

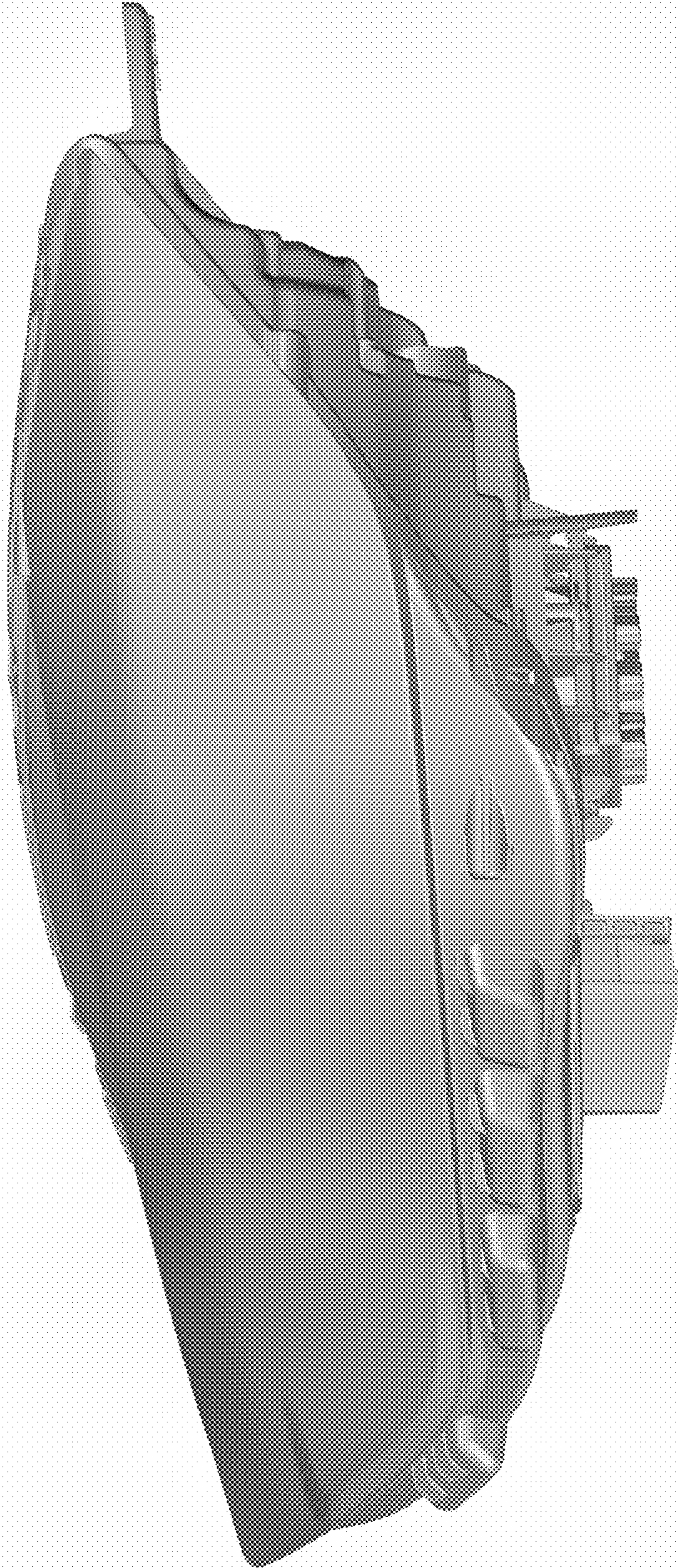


Fig. 3

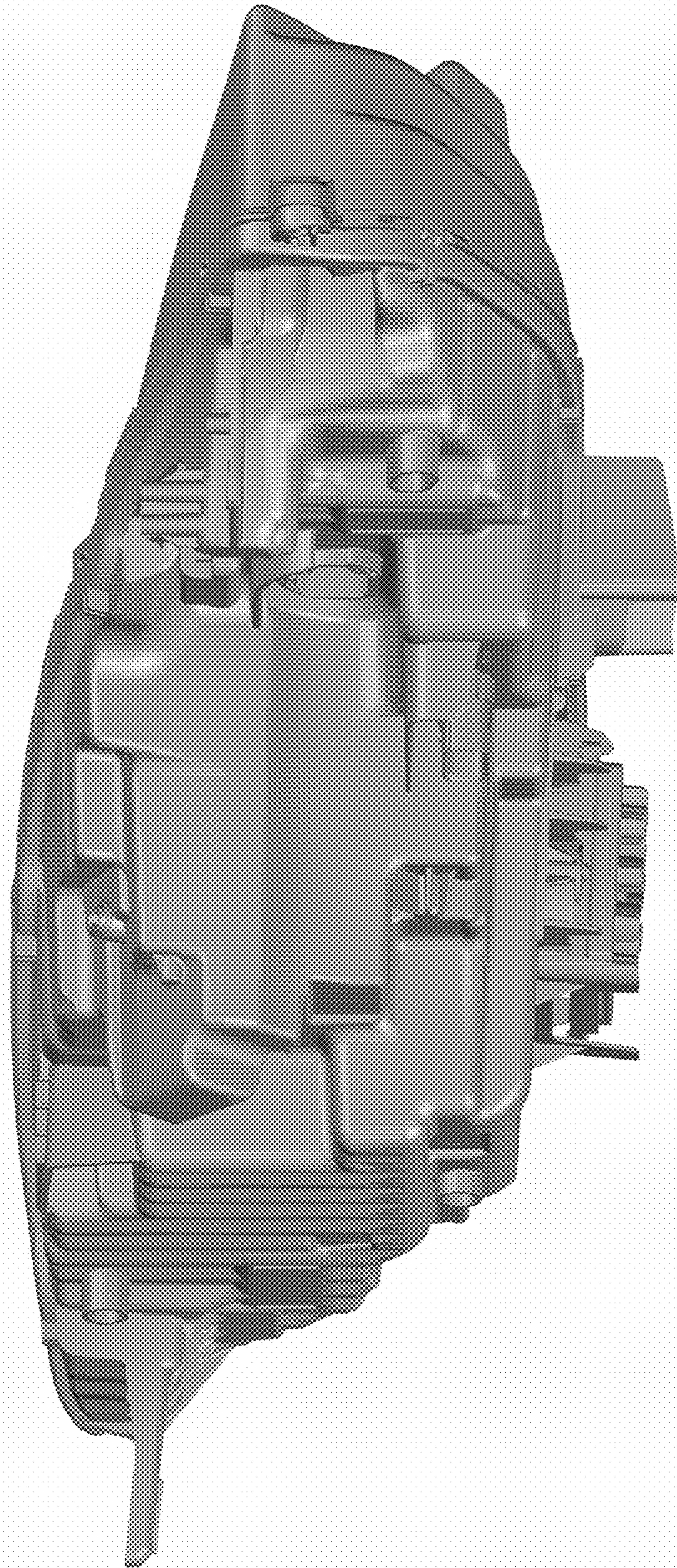


Fig. 4

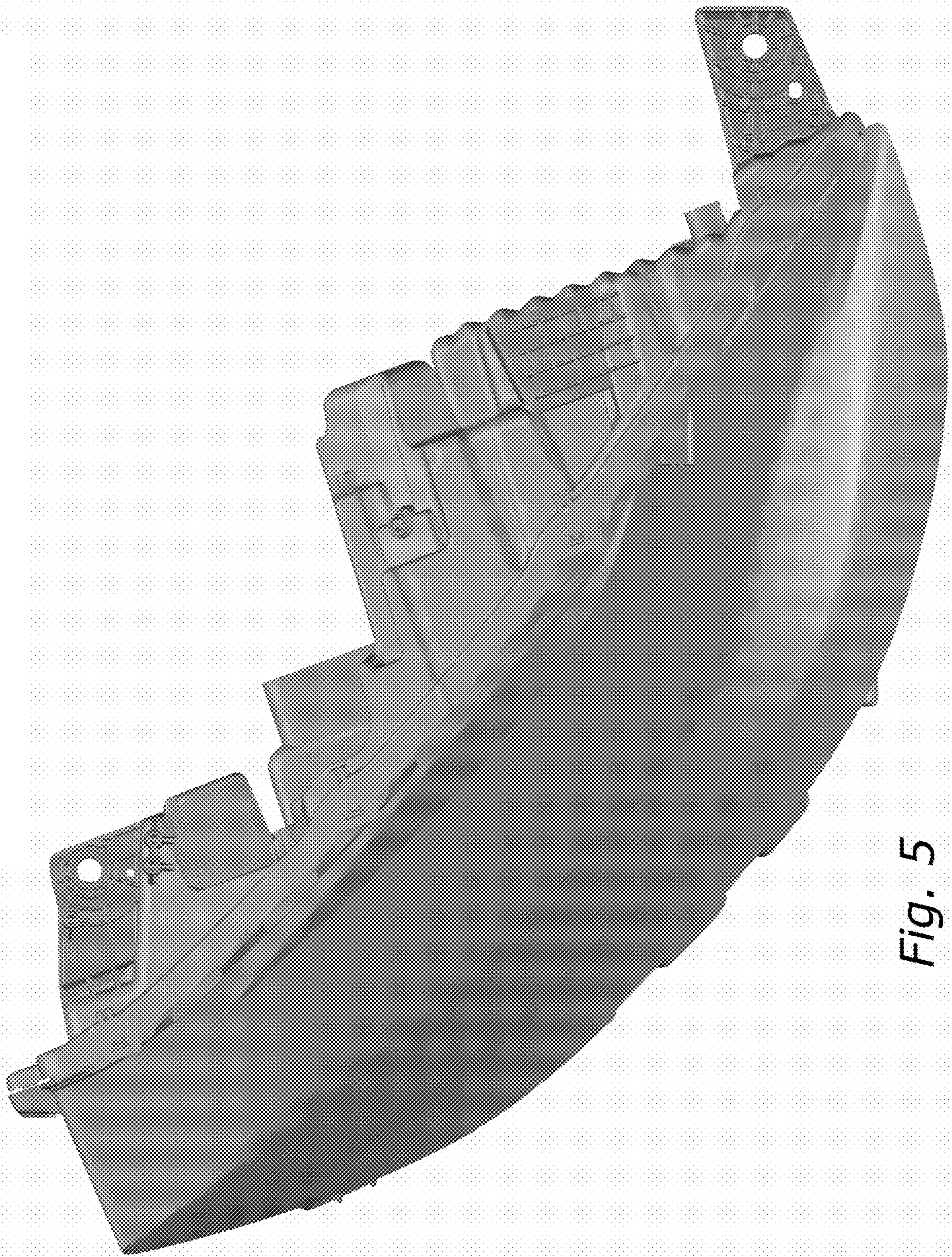


Fig. 5

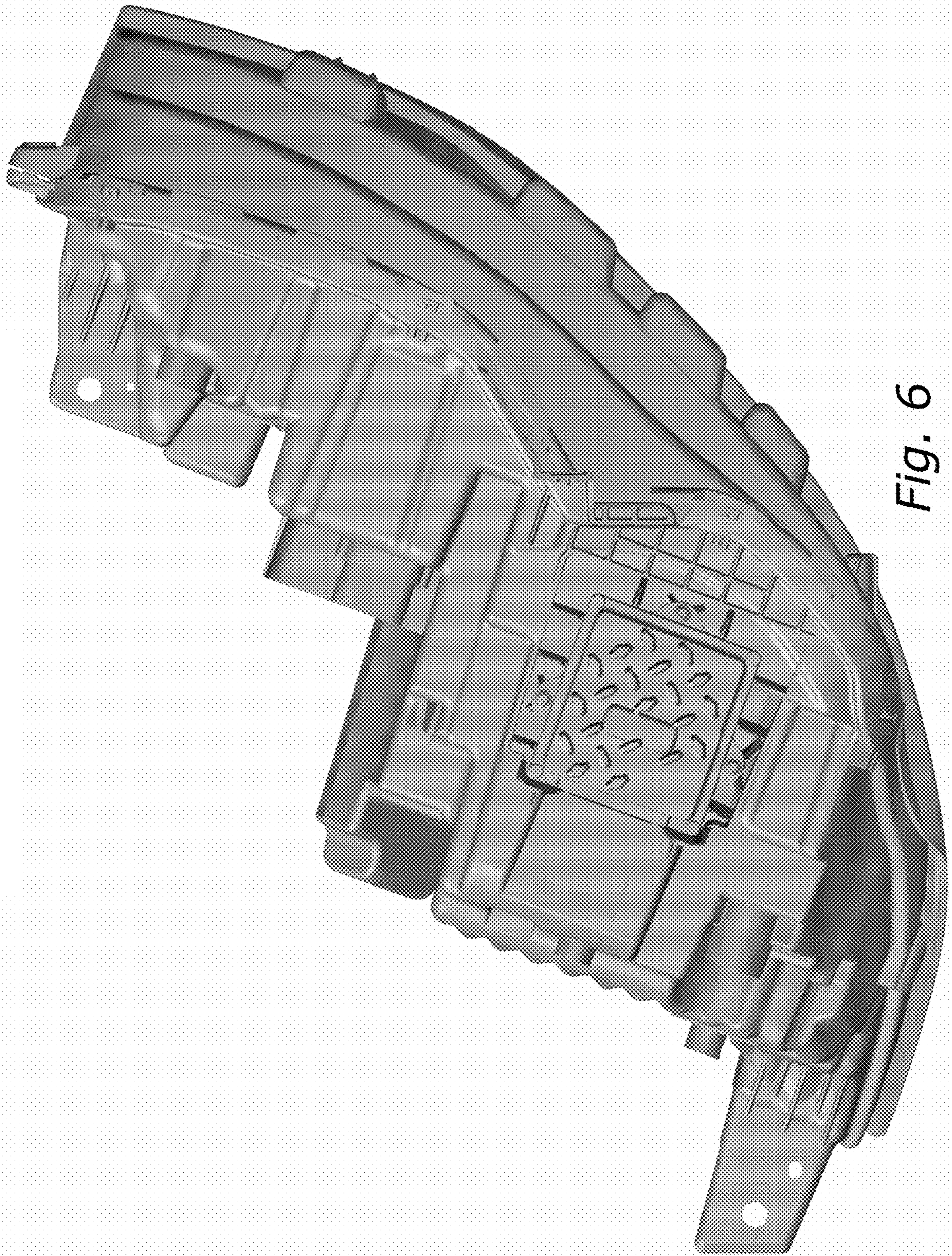


Fig. 6



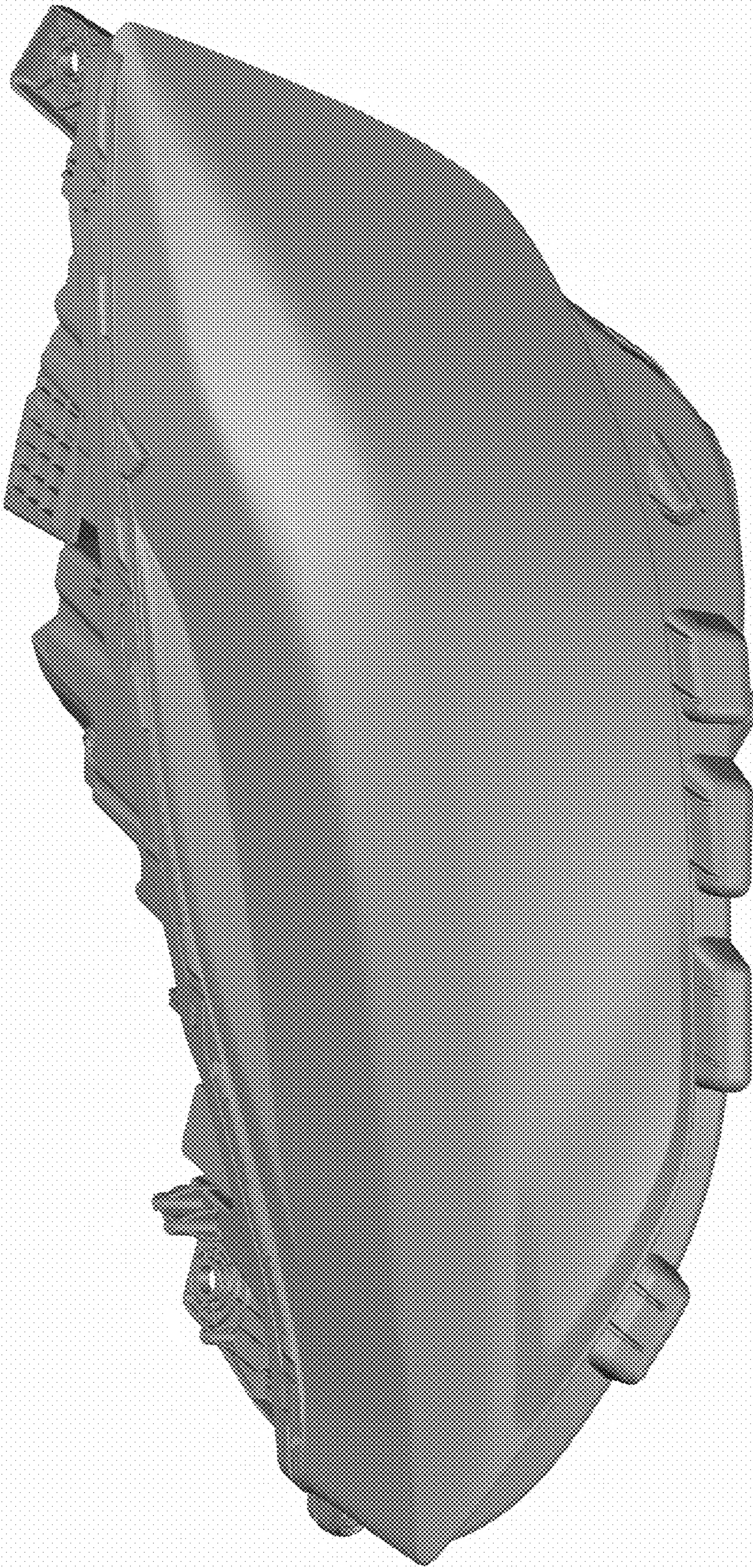


Fig. 7

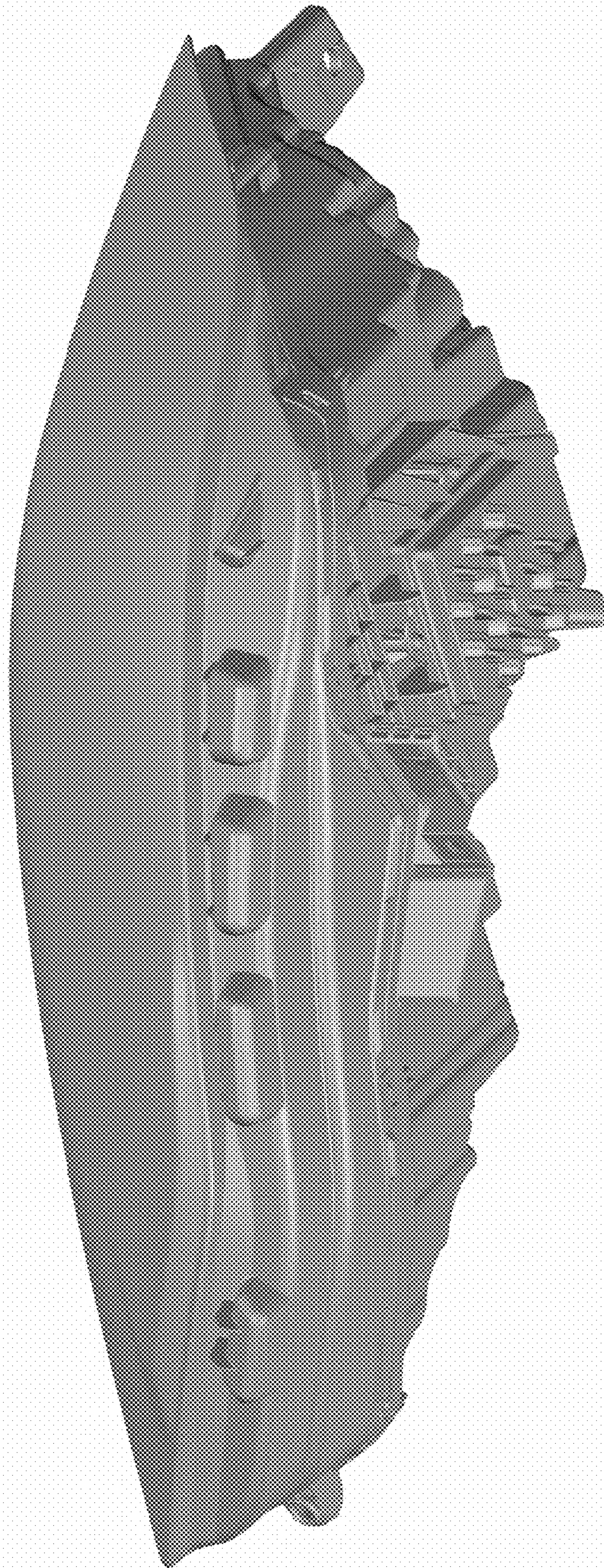


Fig. 8

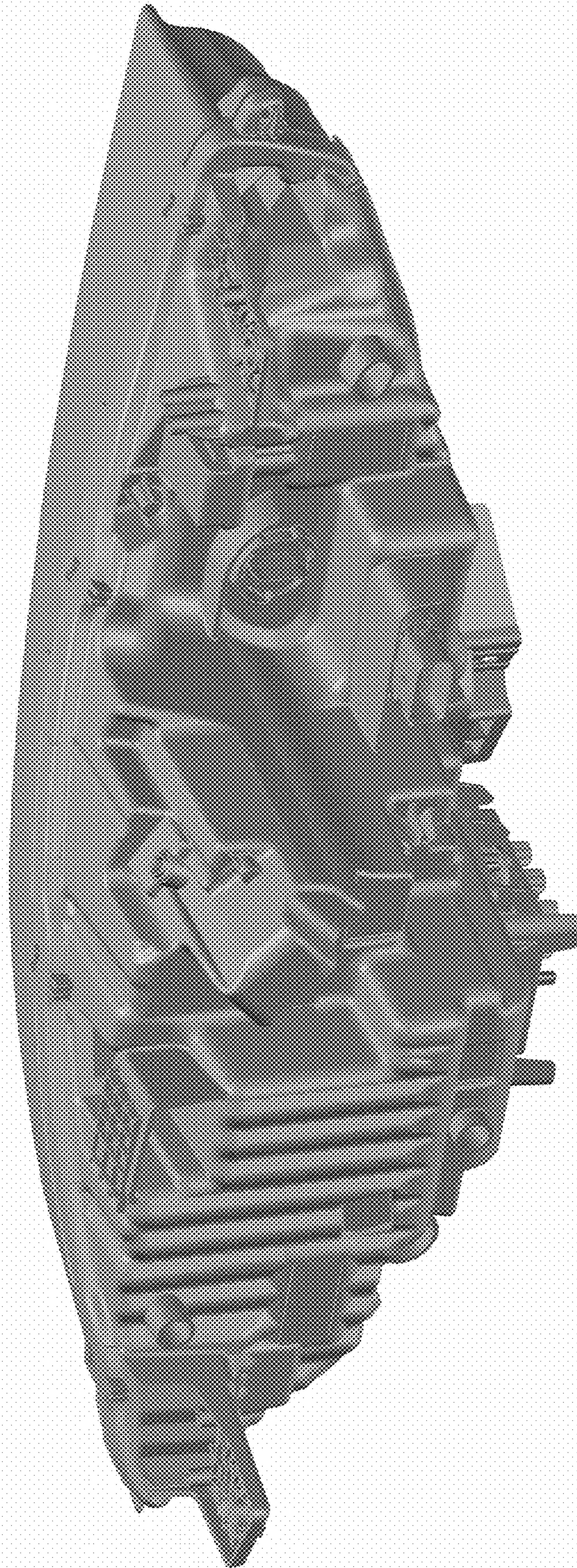
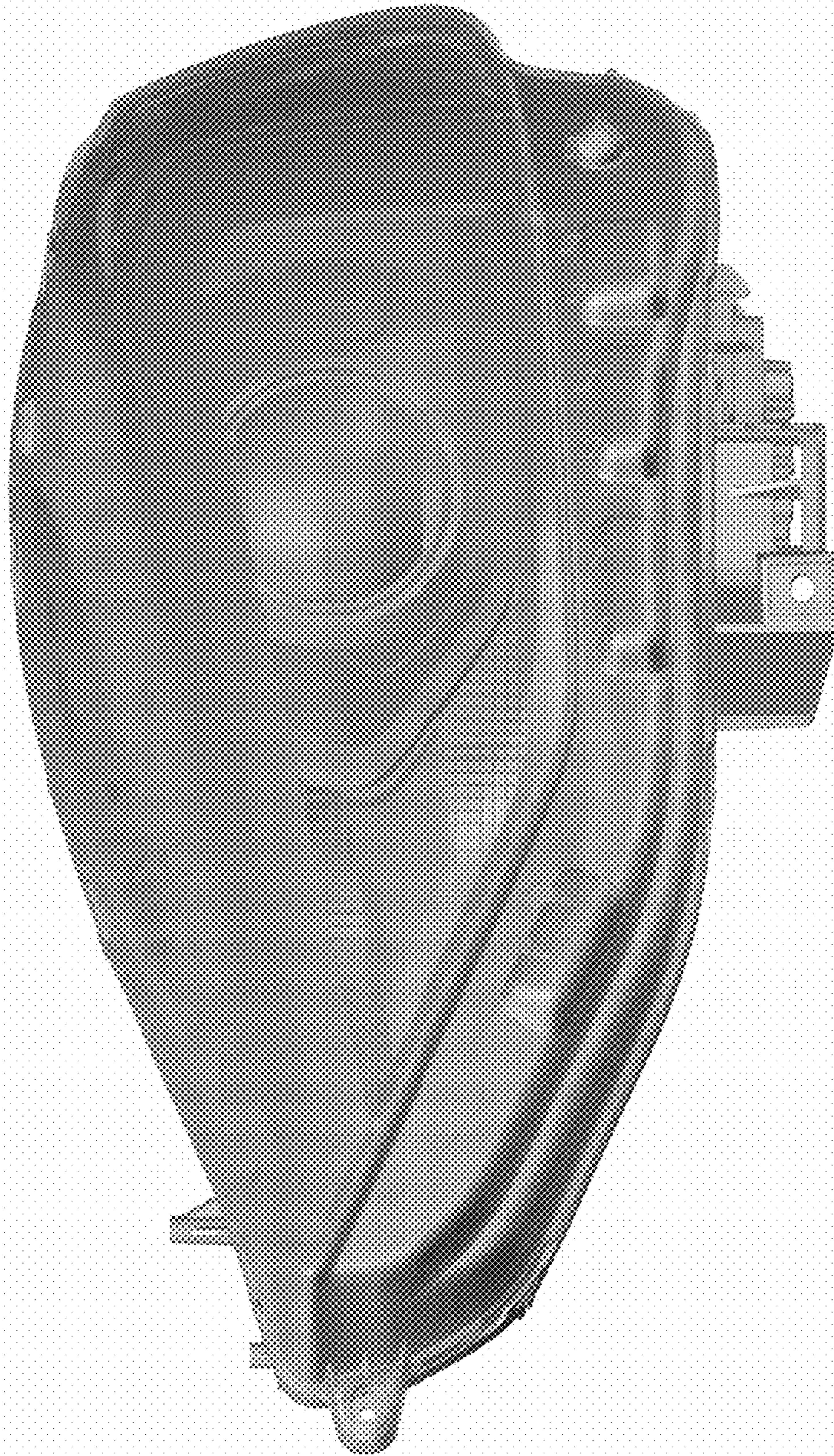


Fig. 9



*Fig. 10*

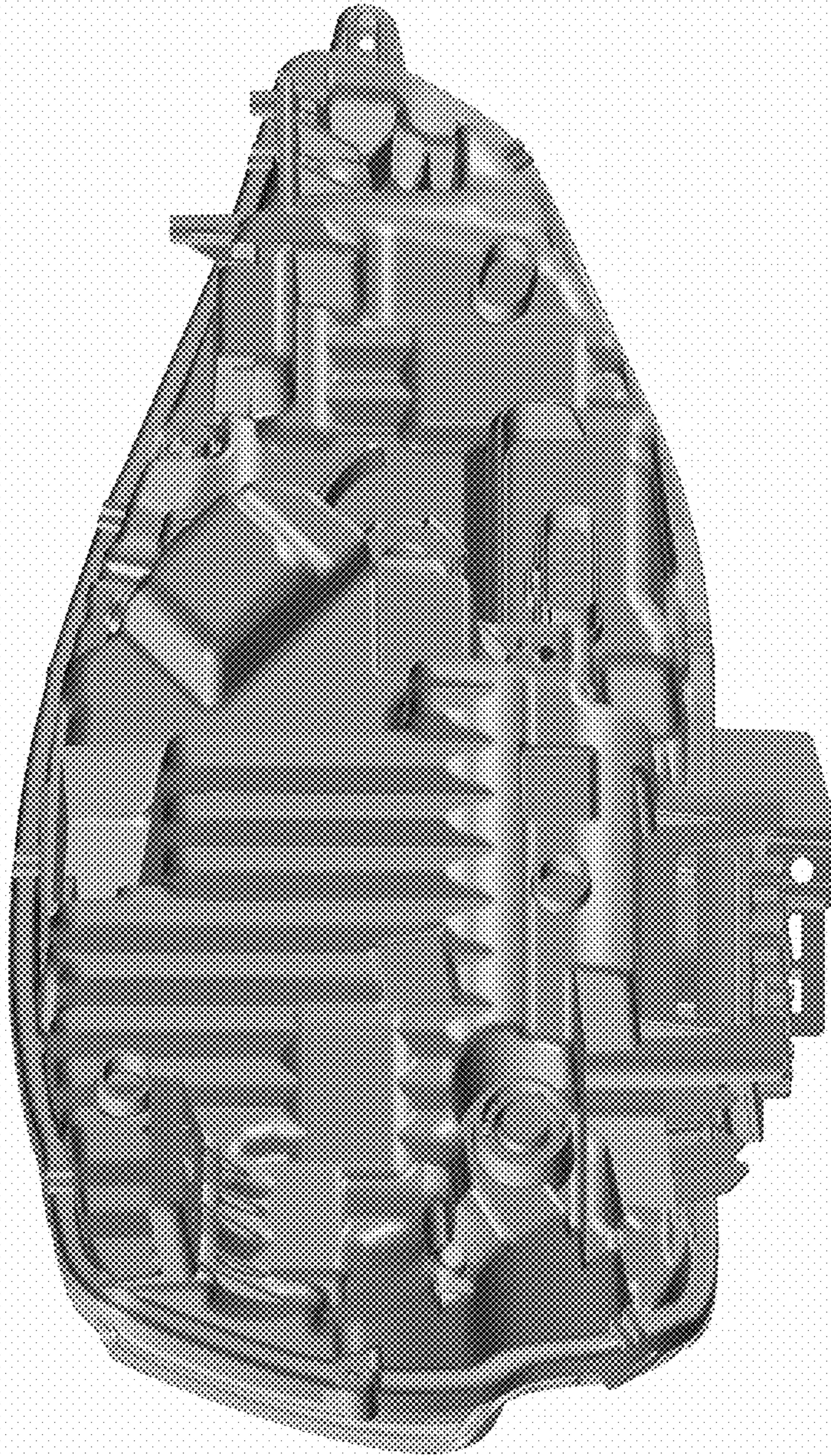


Fig. 11

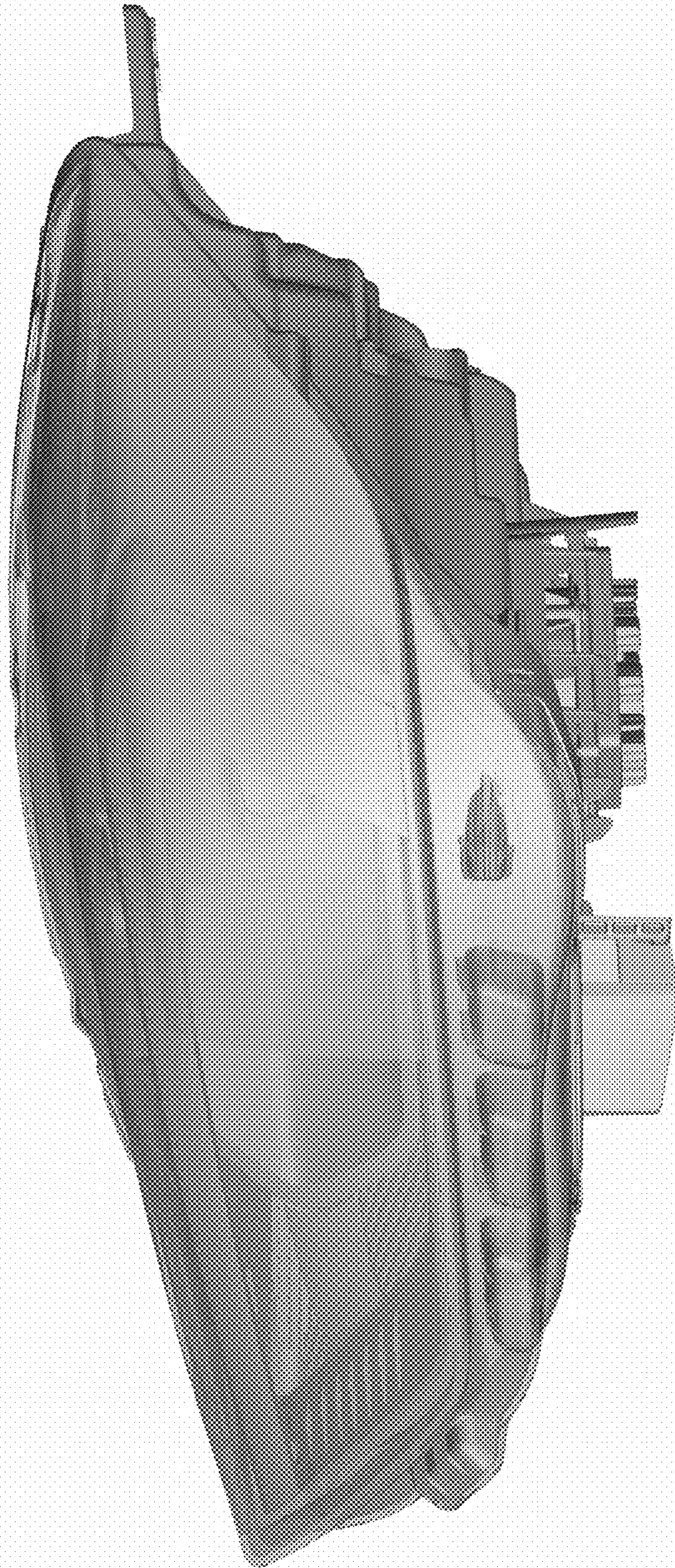


Fig. 12

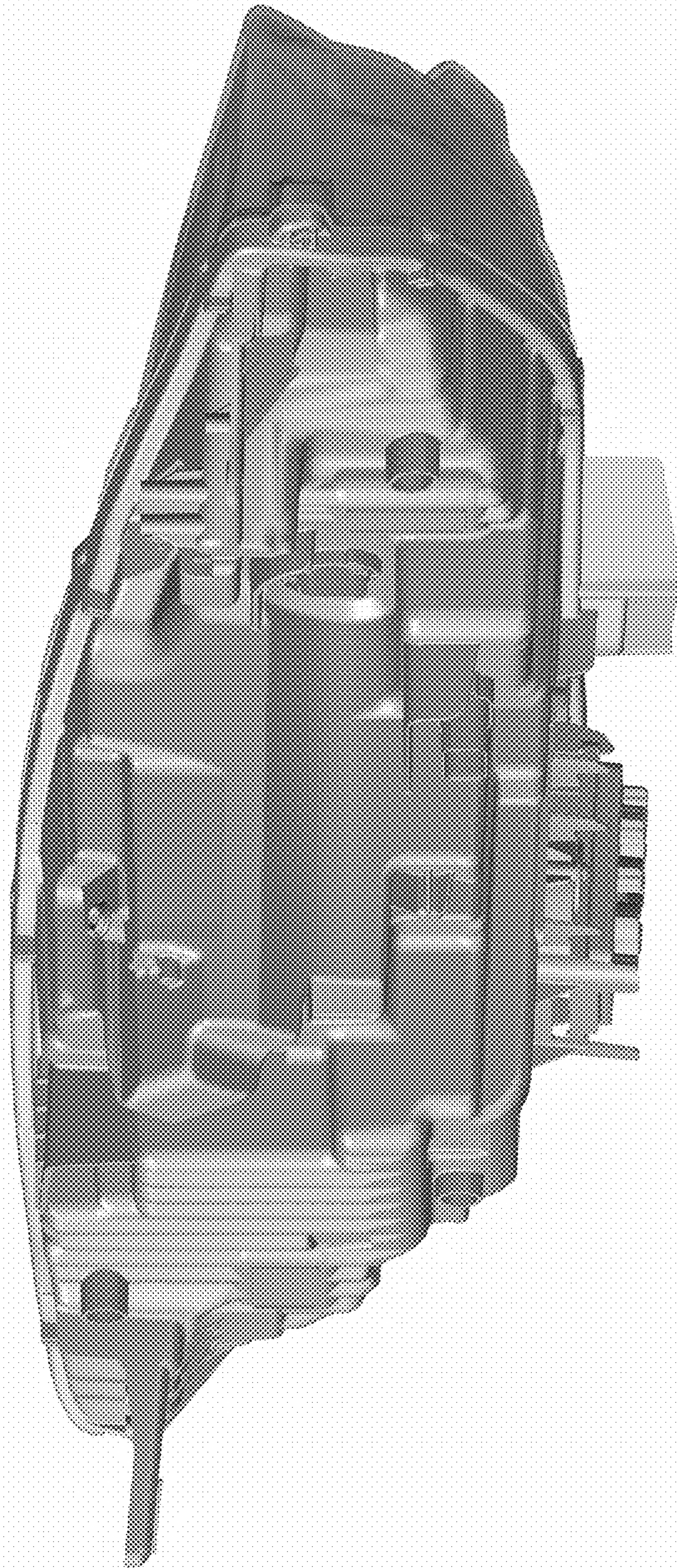


Fig. 13

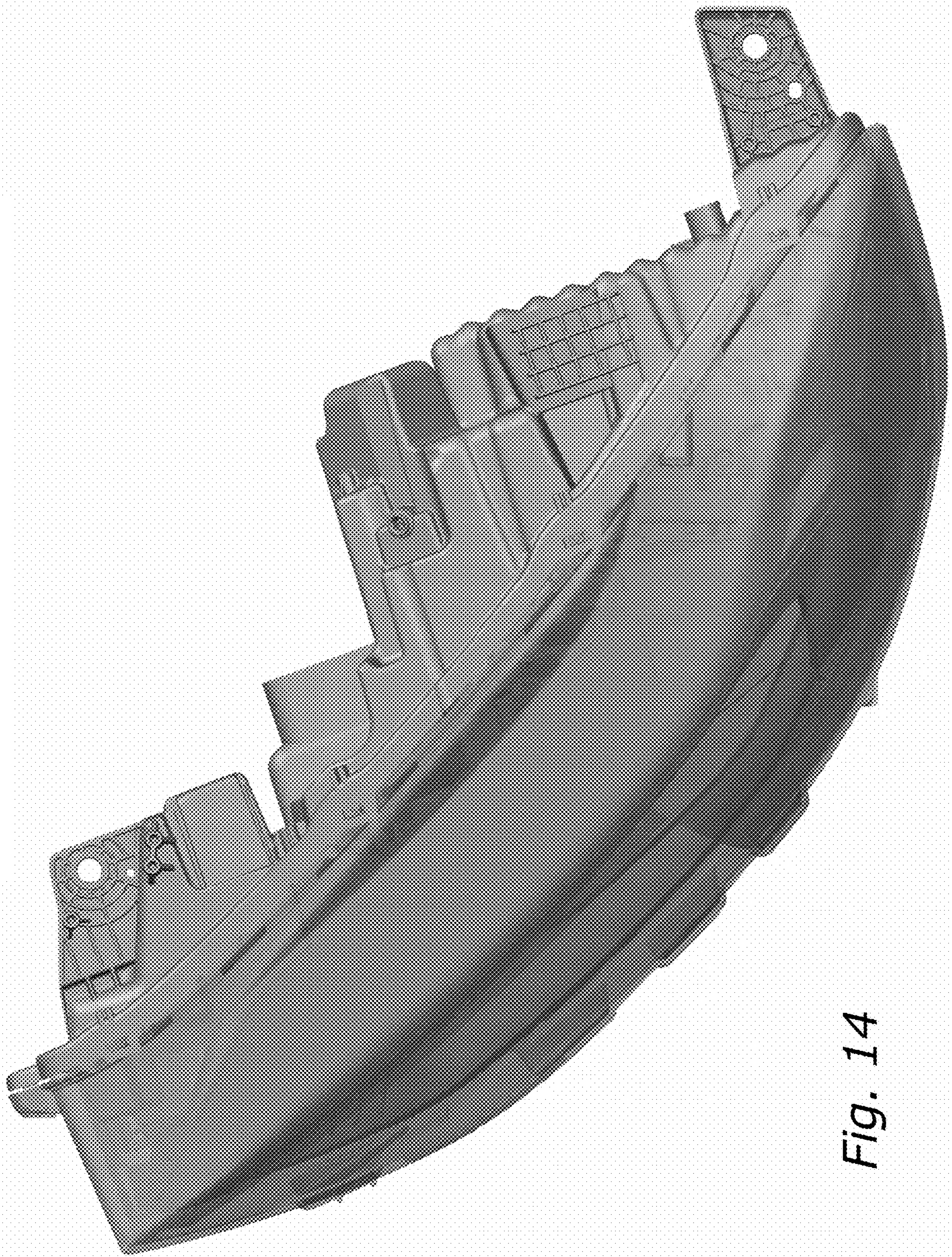


Fig. 14



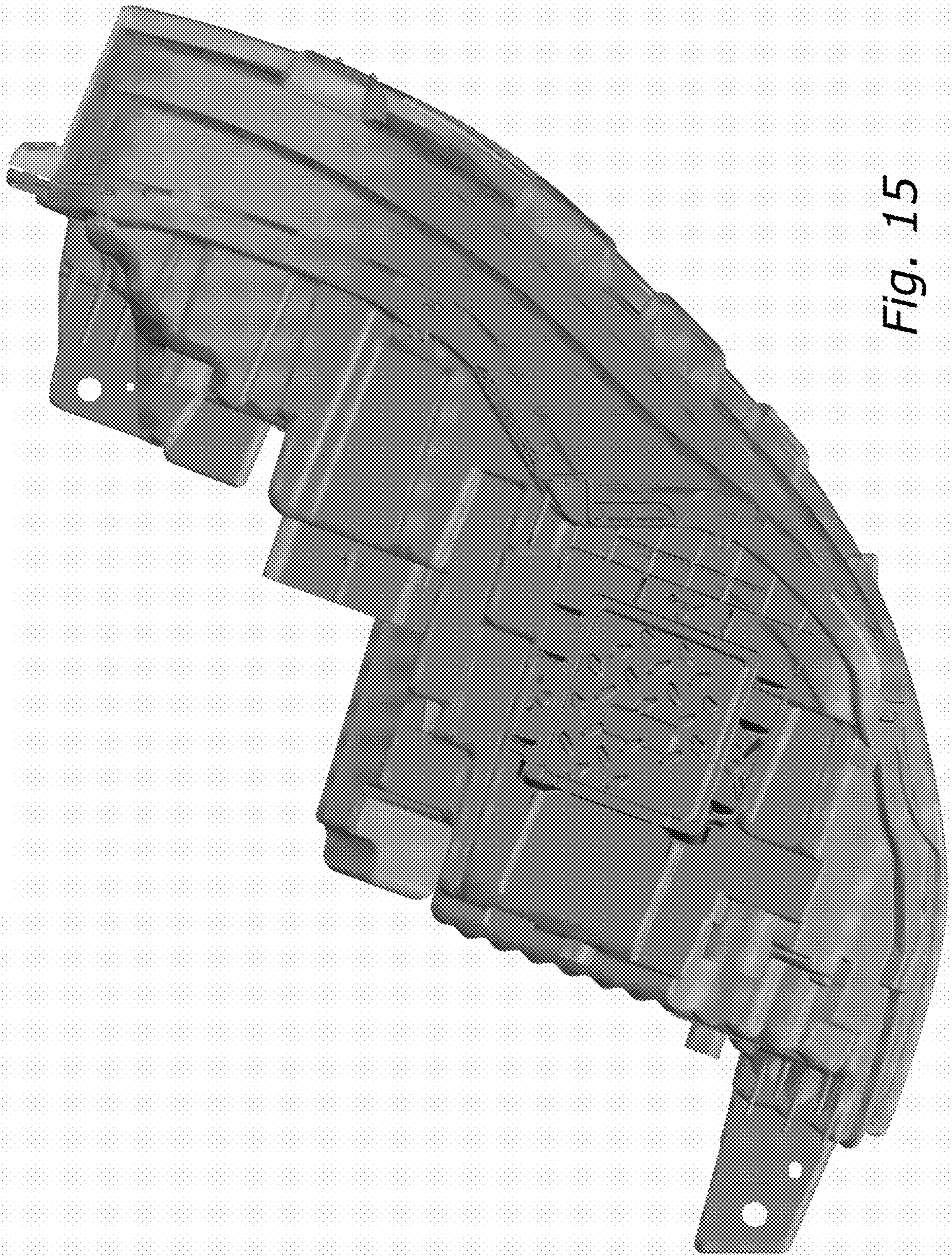


Fig. 15

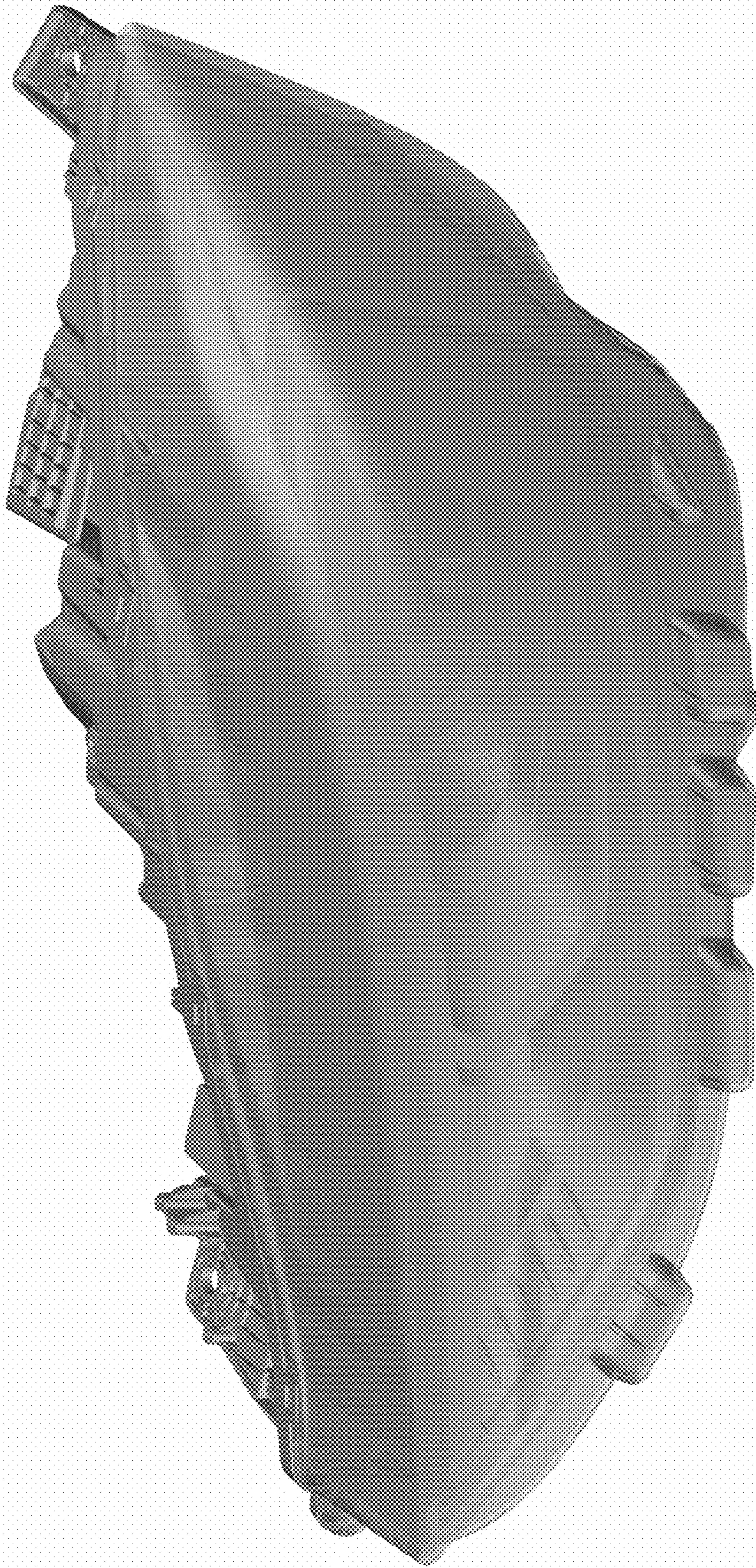


Fig. 16

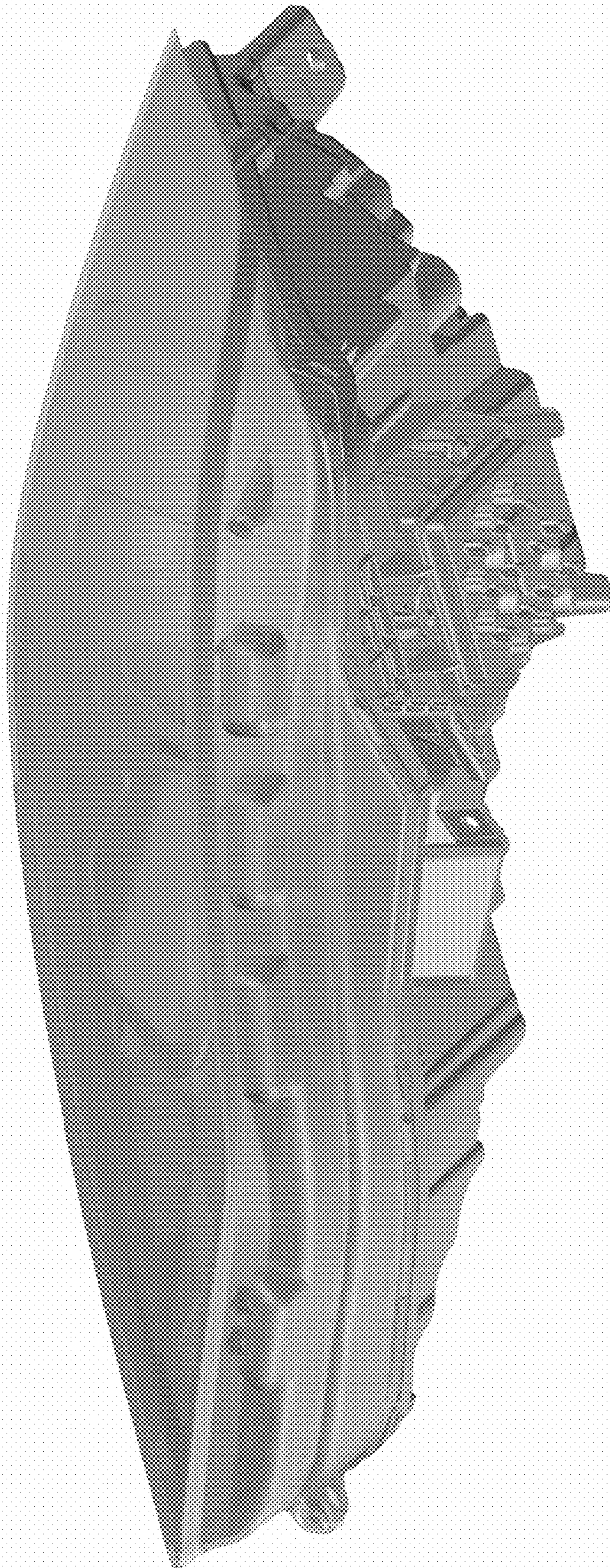


Fig. 17

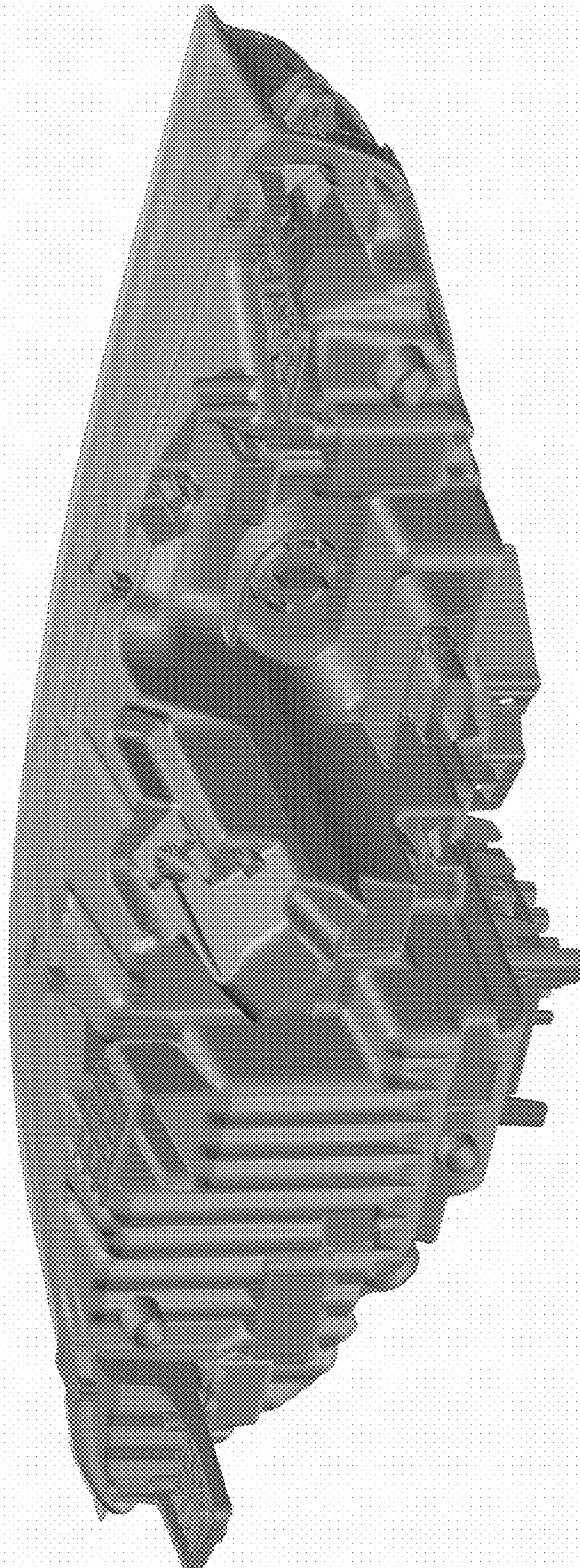


Fig. 18



Fig. 19

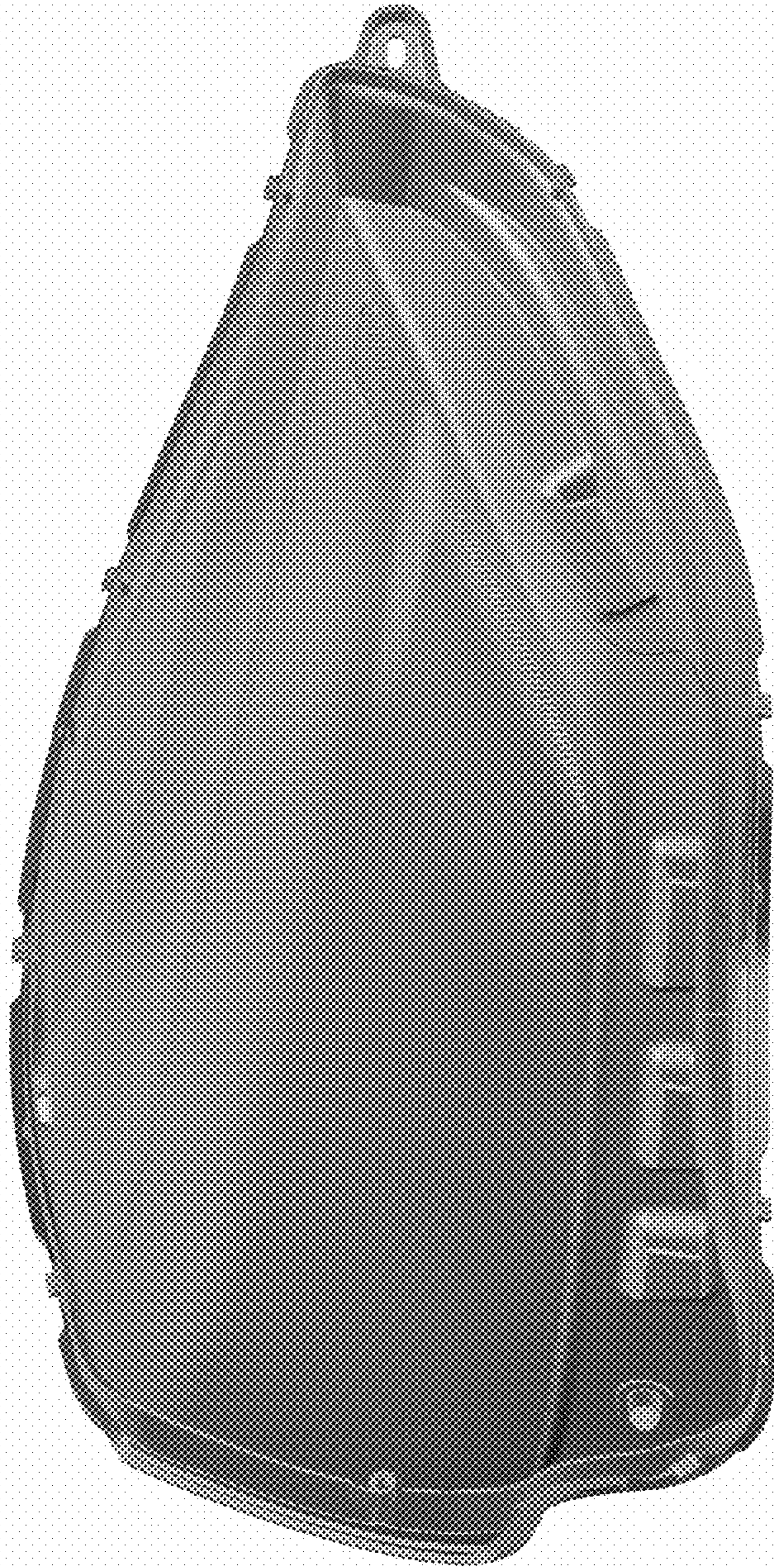


Fig. 20

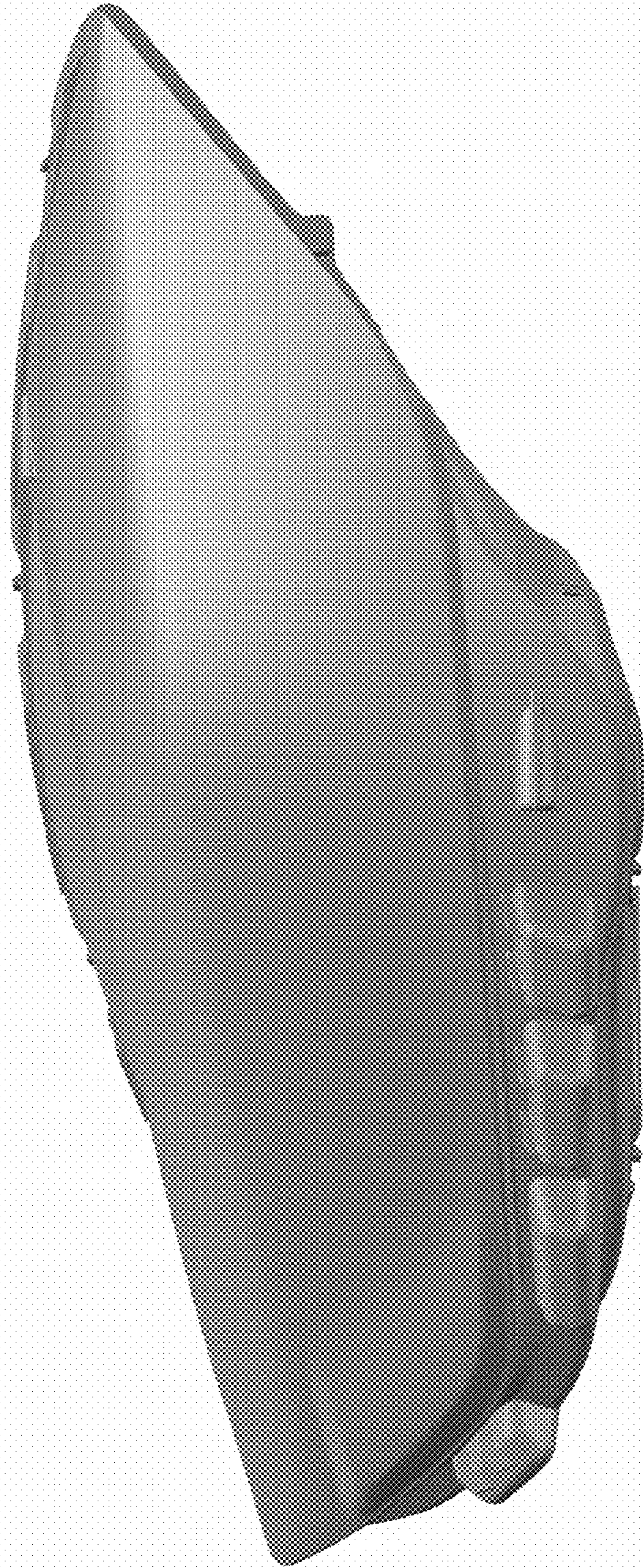


Fig. 21

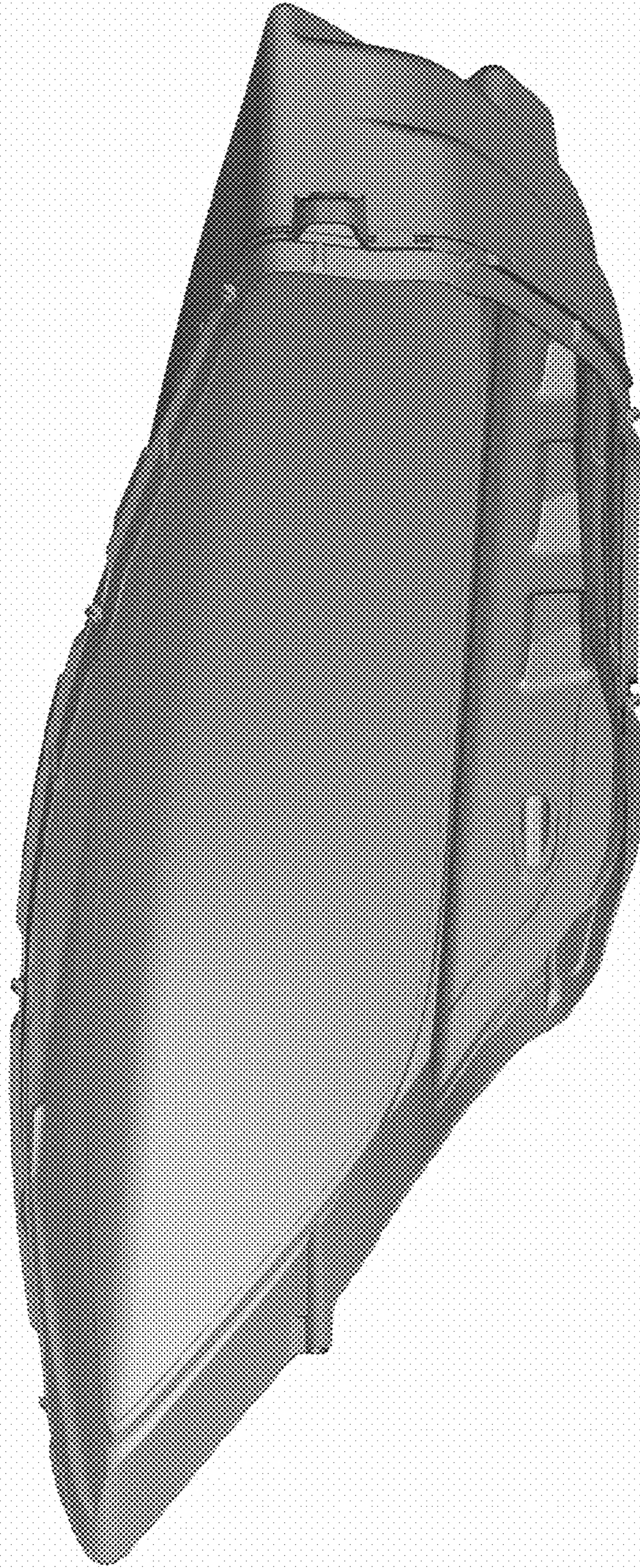


Fig. 22





Fig. 23

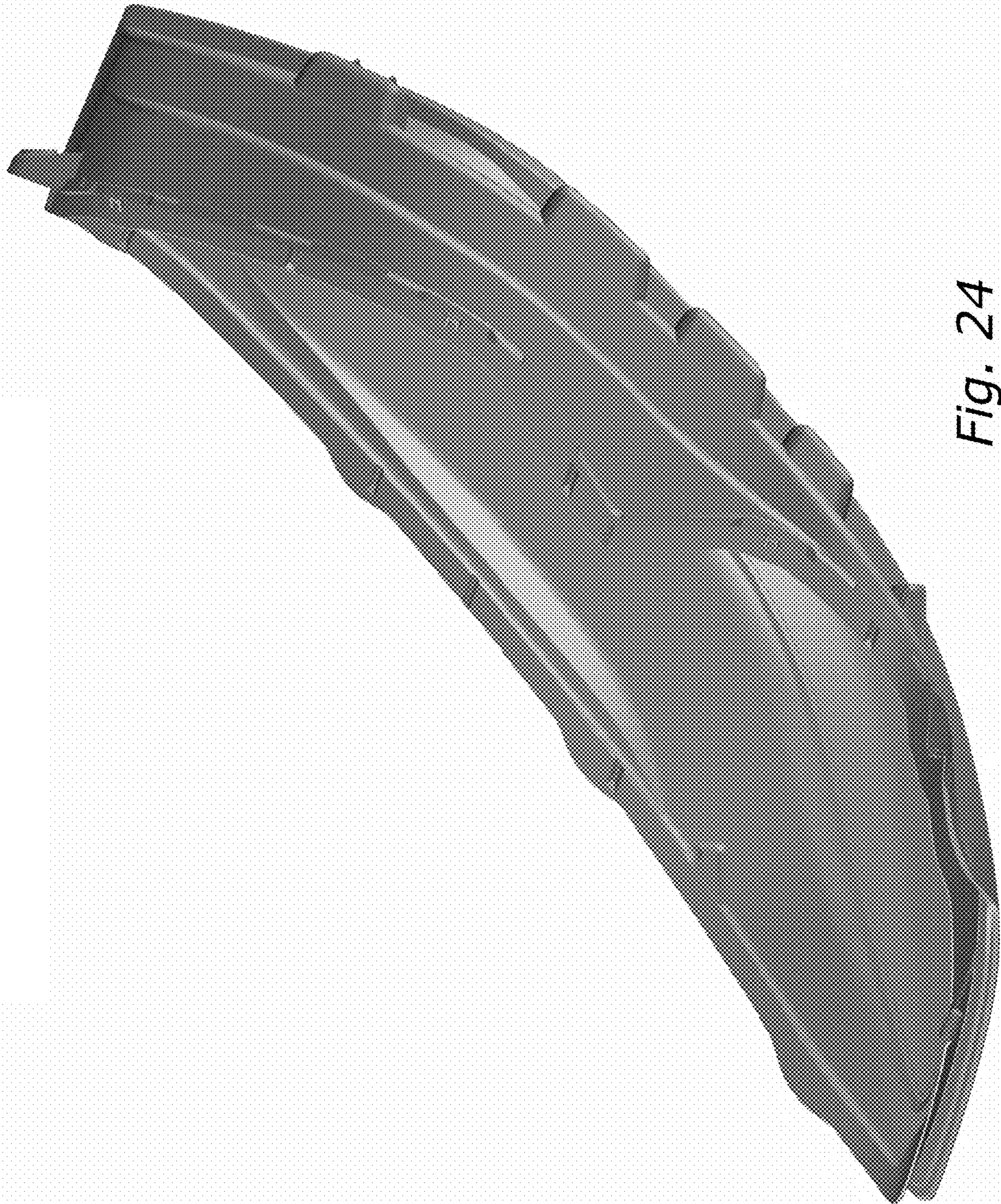
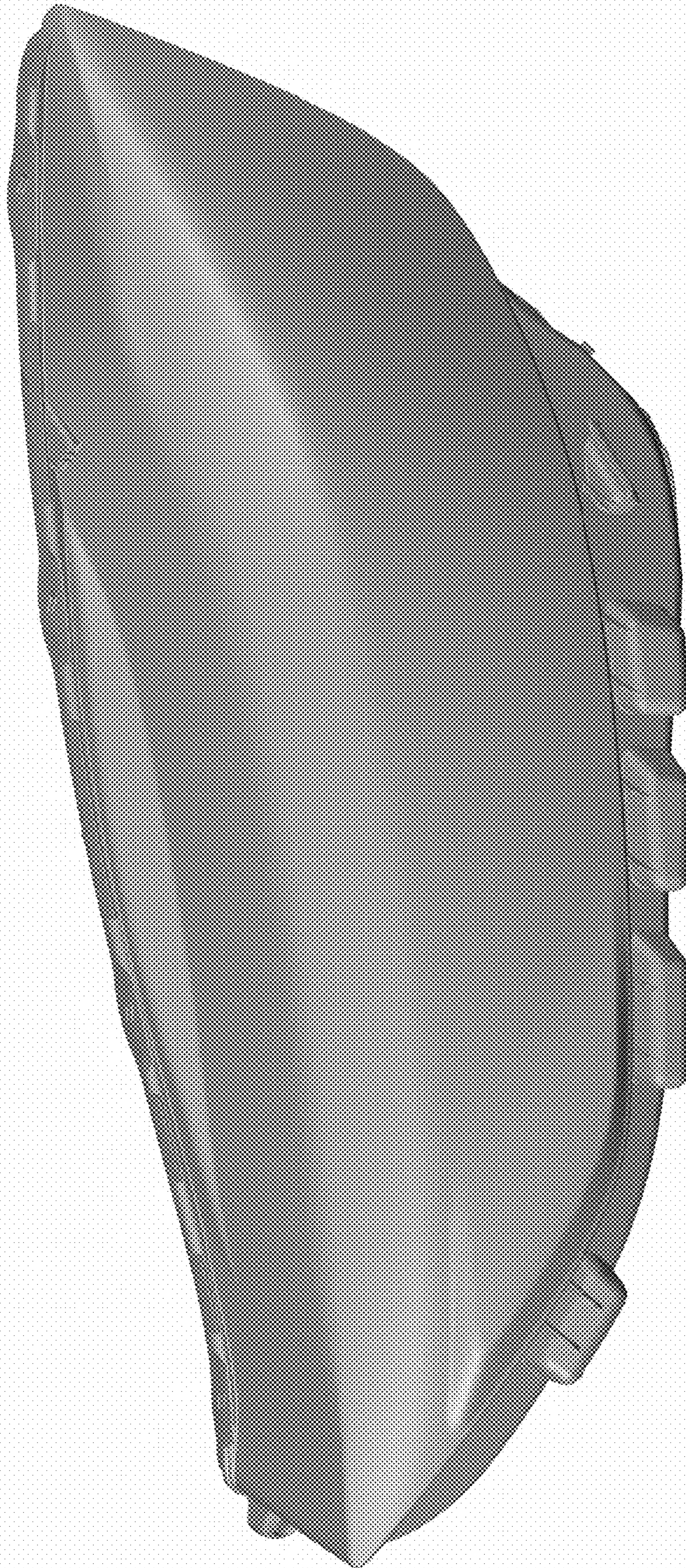


Fig. 24

Fig. 25



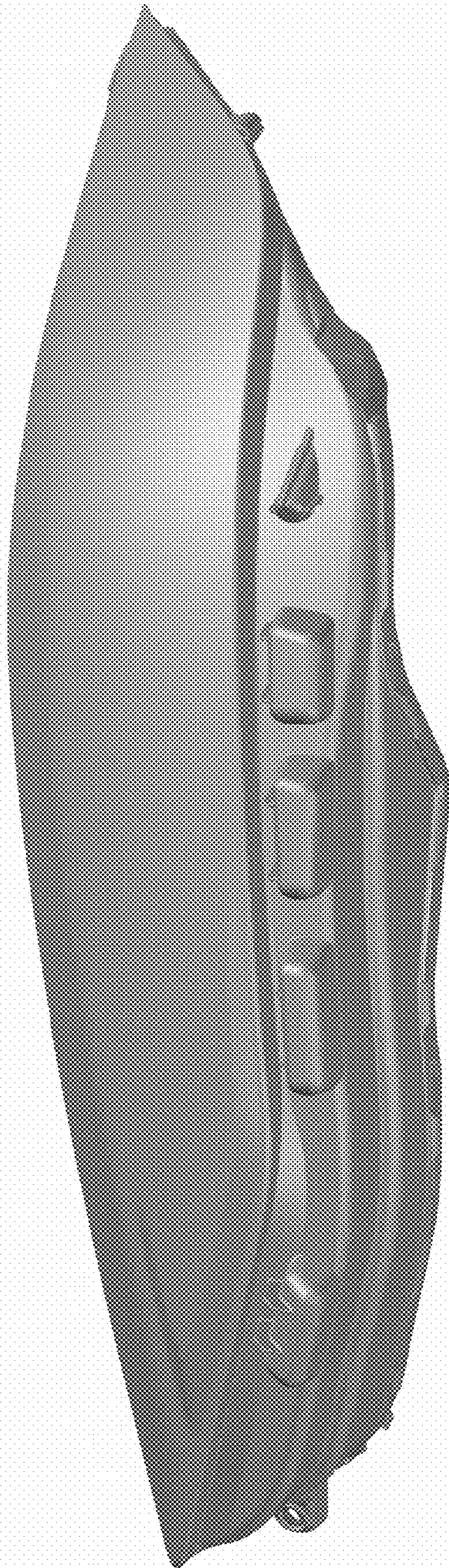


Fig. 26



Fig. 27

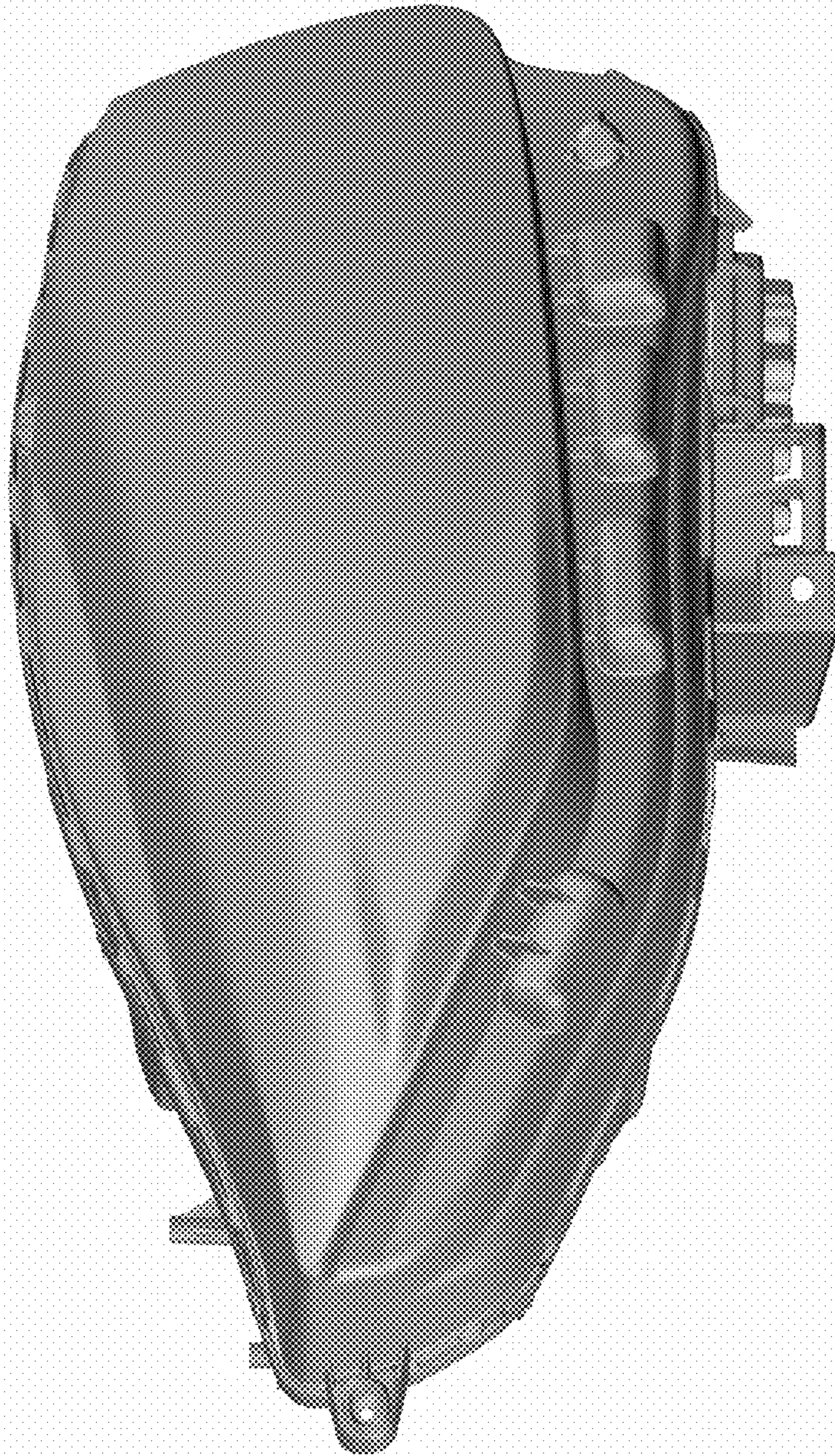


Fig. 28

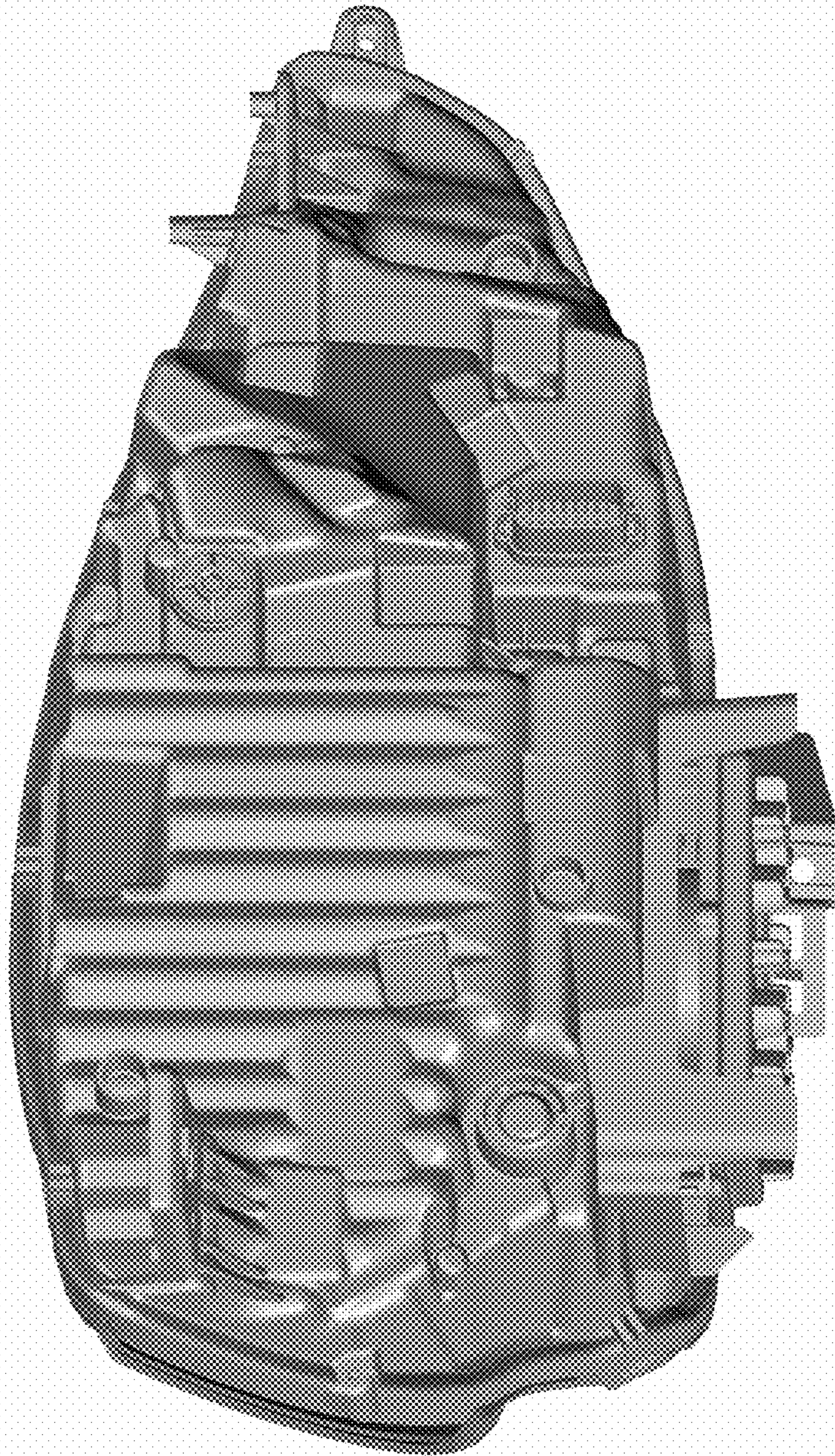


Fig. 29

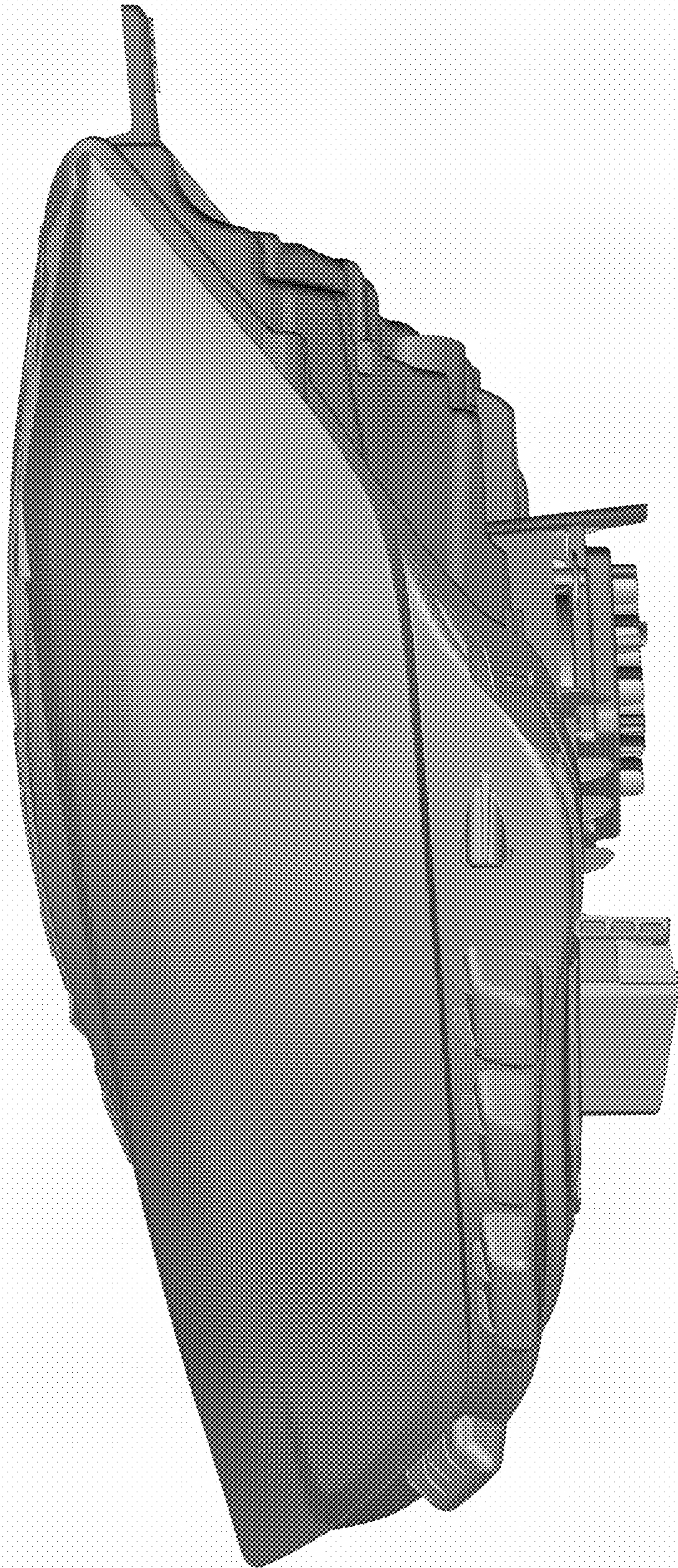


Fig. 30



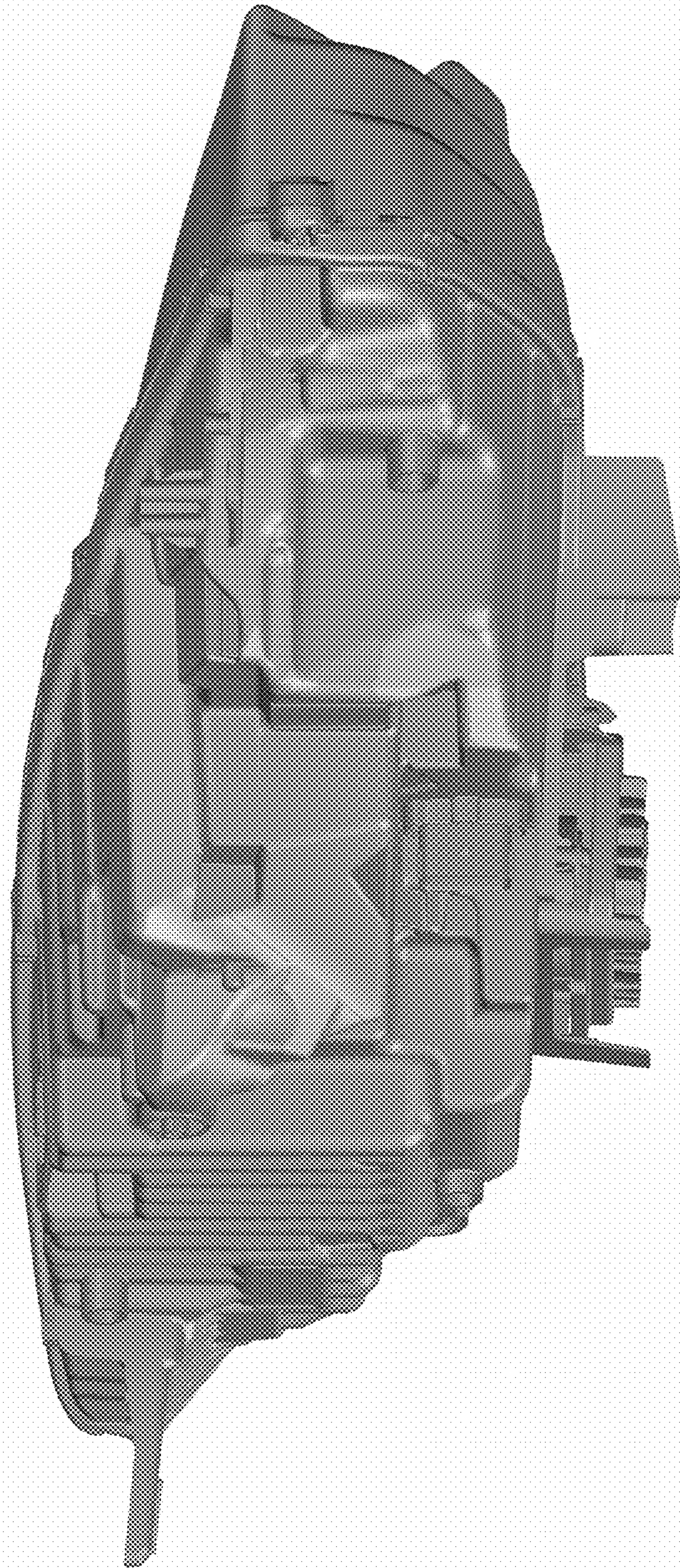


Fig. 31

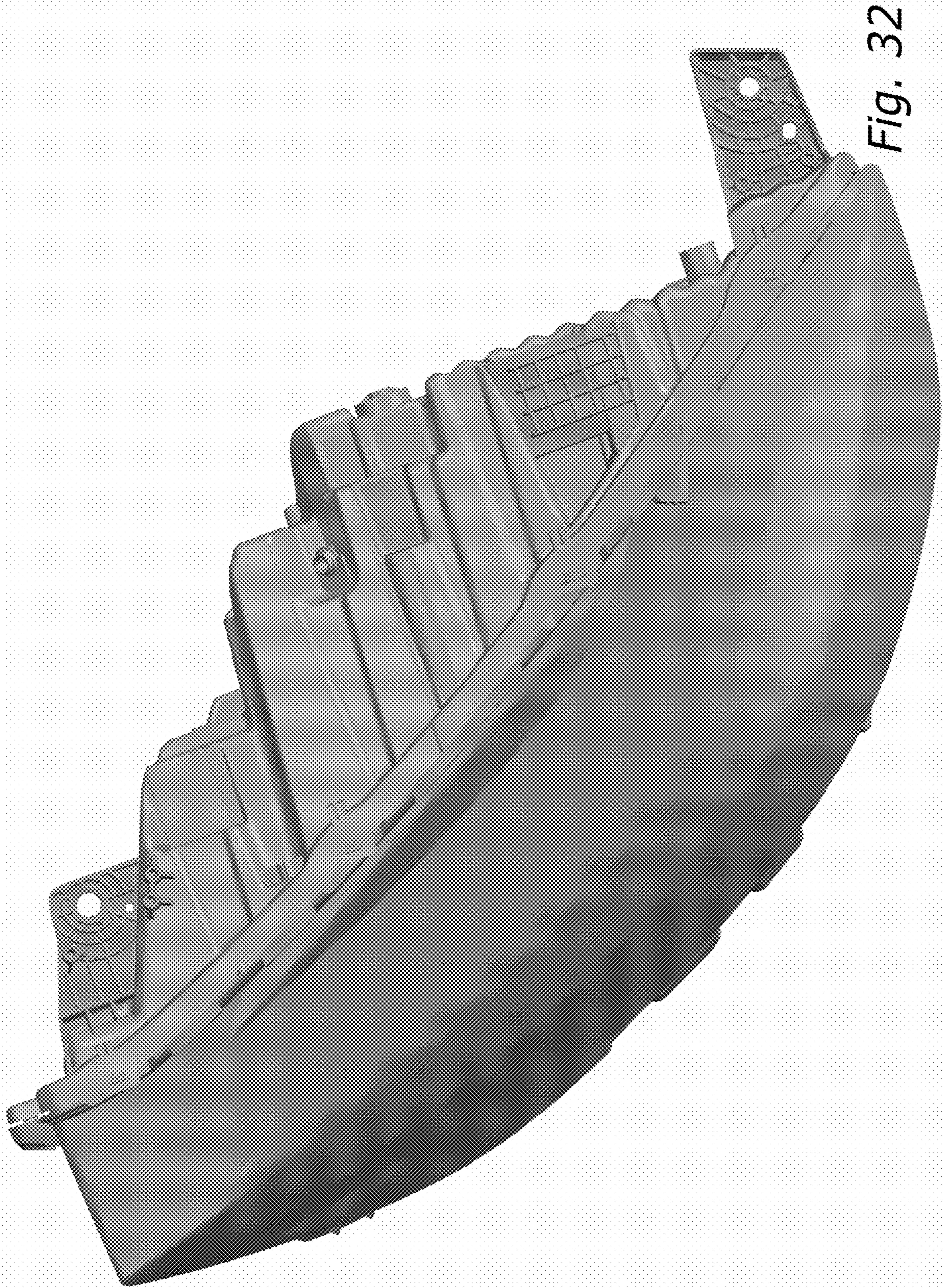


Fig. 32

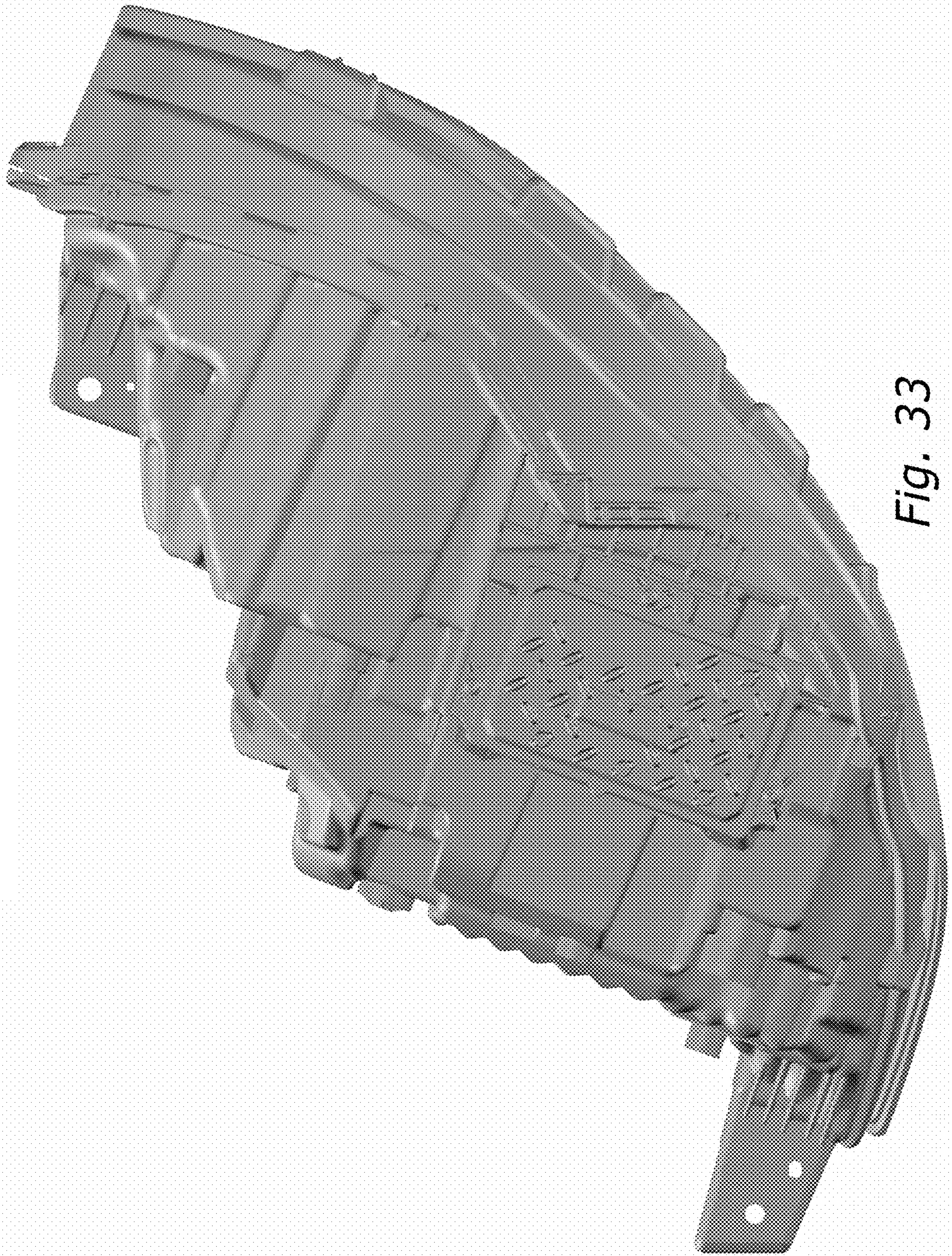
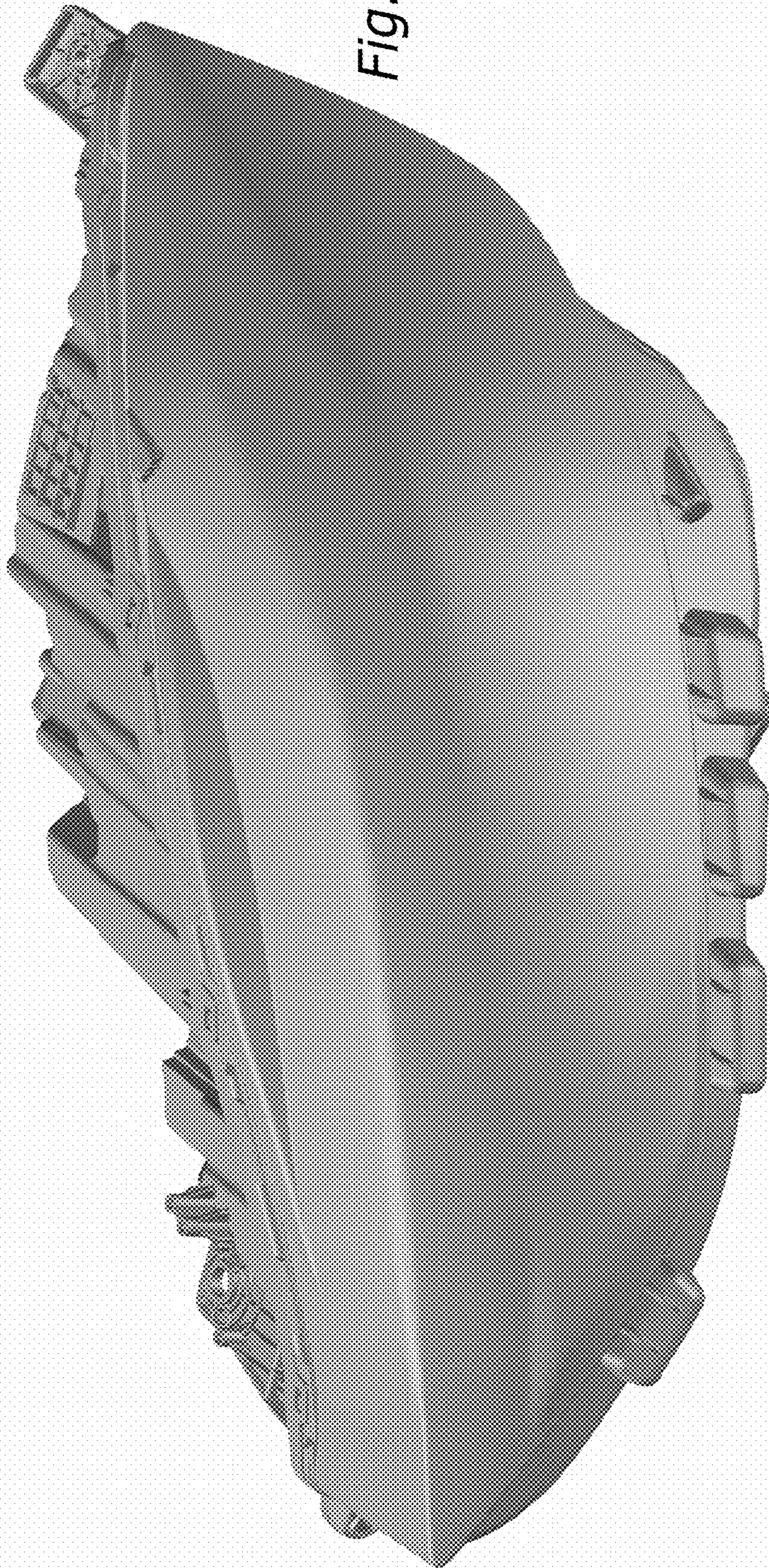


Fig. 33

Fig. 34



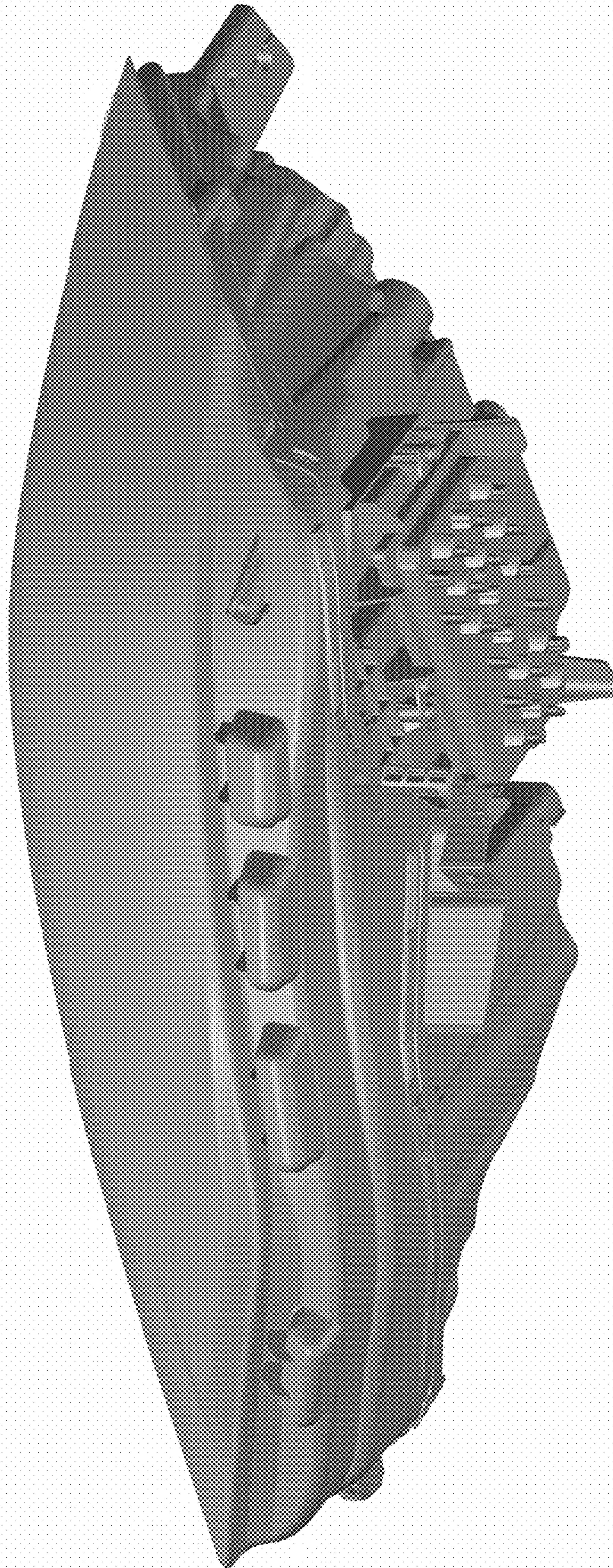


Fig. 35

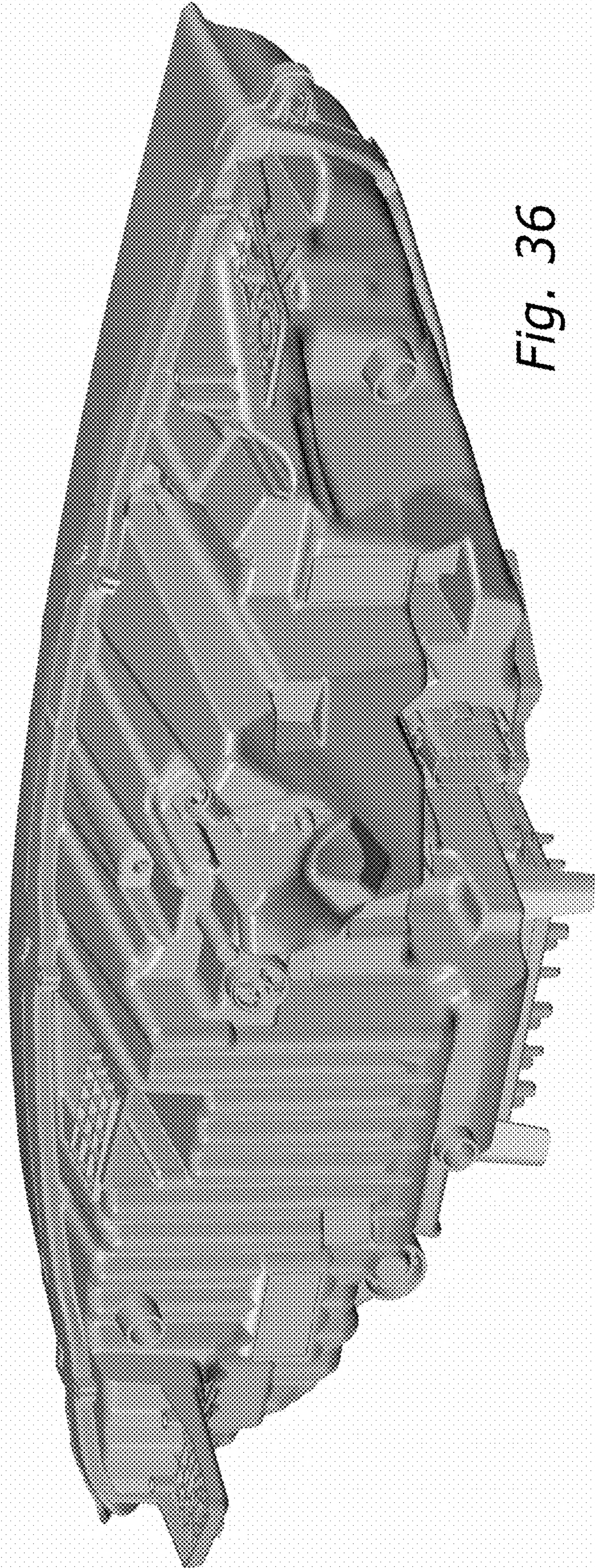


Fig. 36

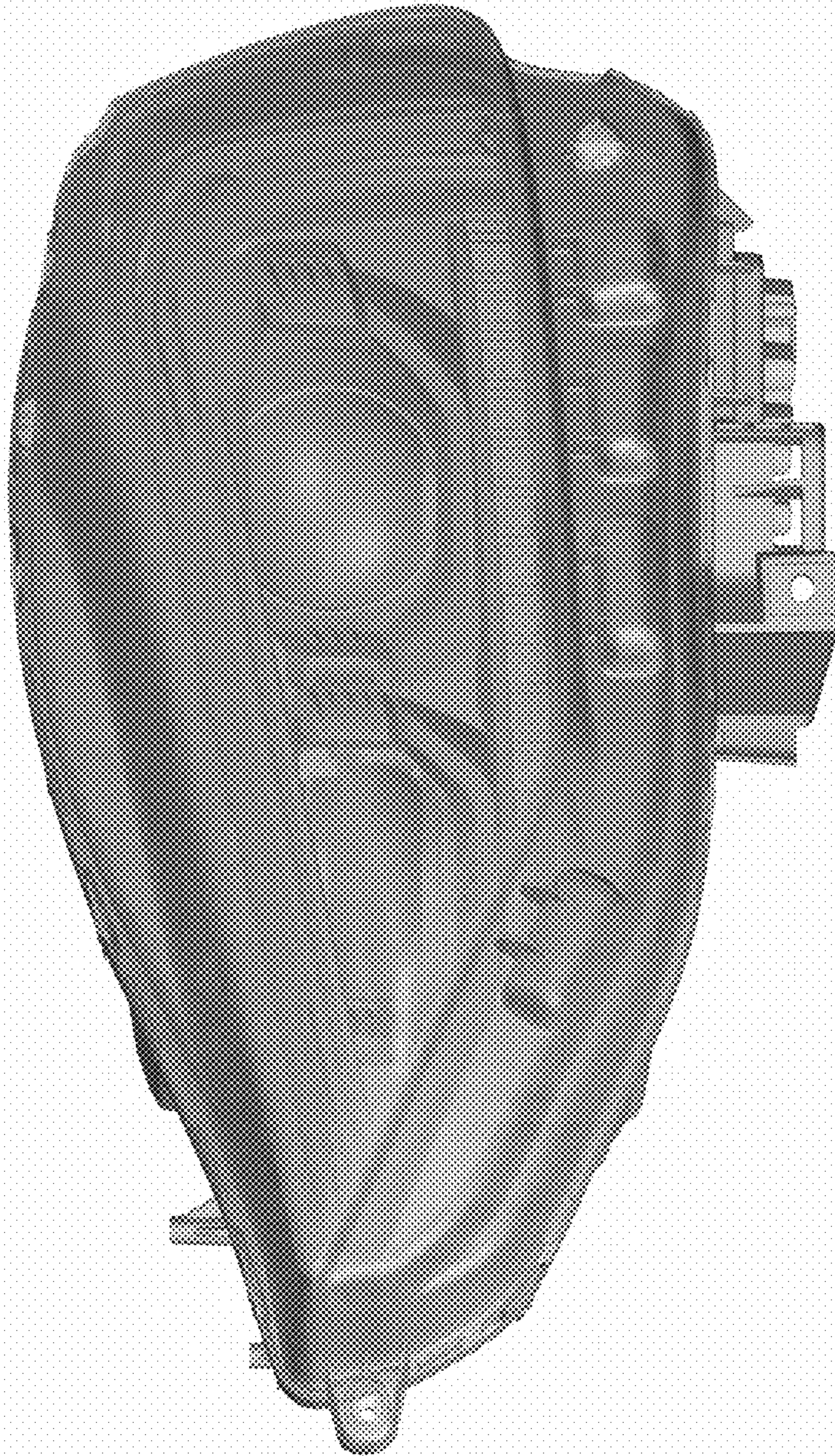


Fig. 37

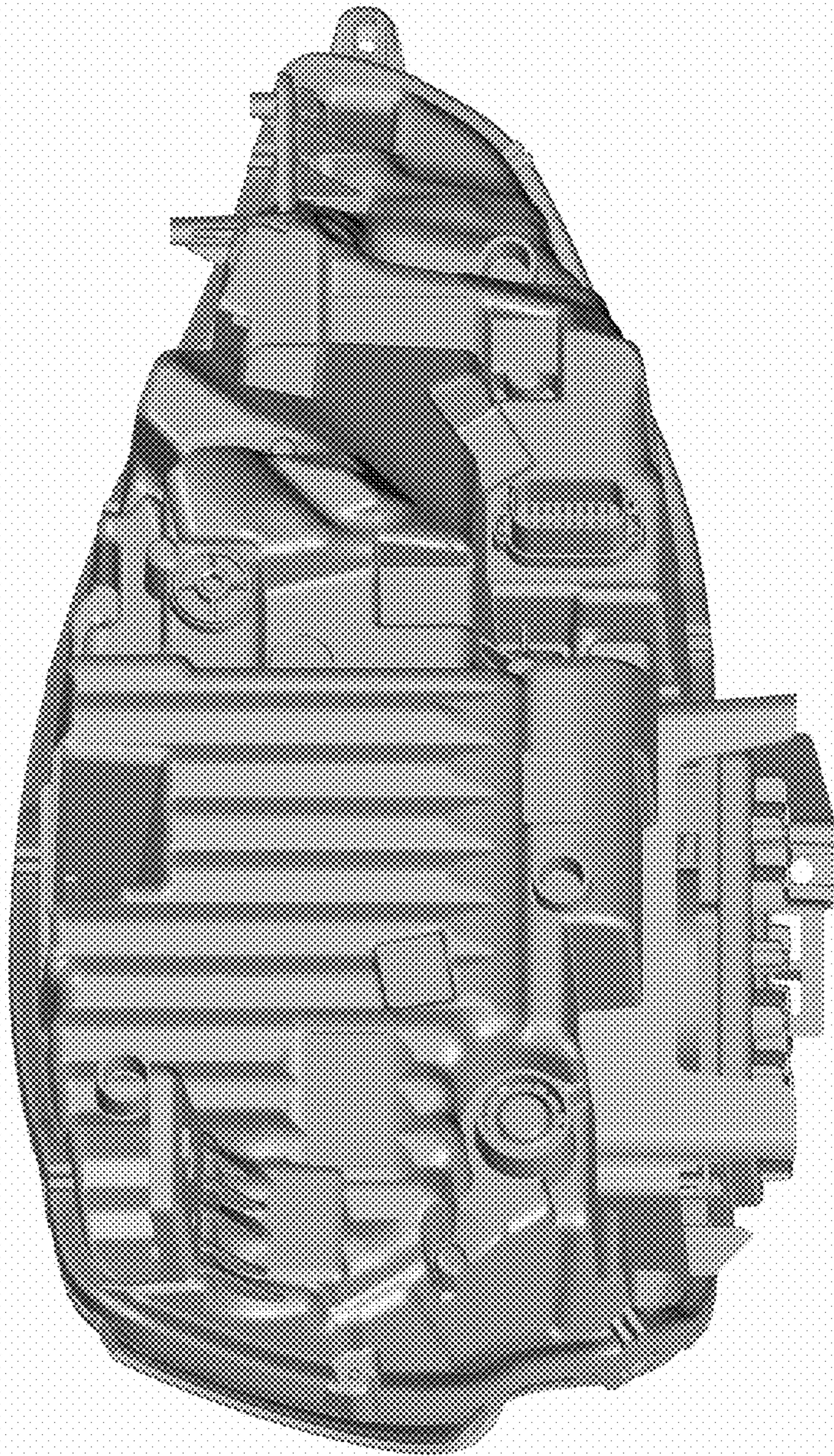


Fig. 38



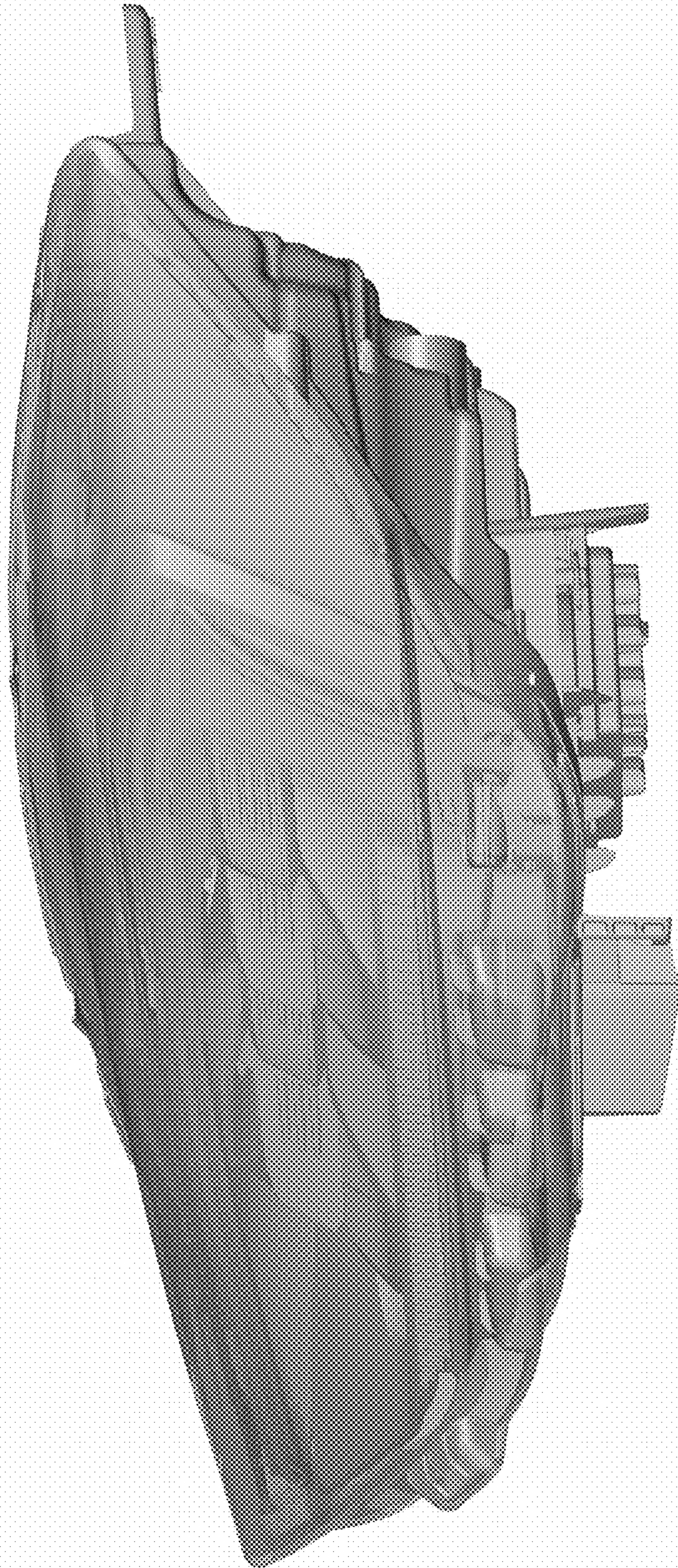


Fig. 39

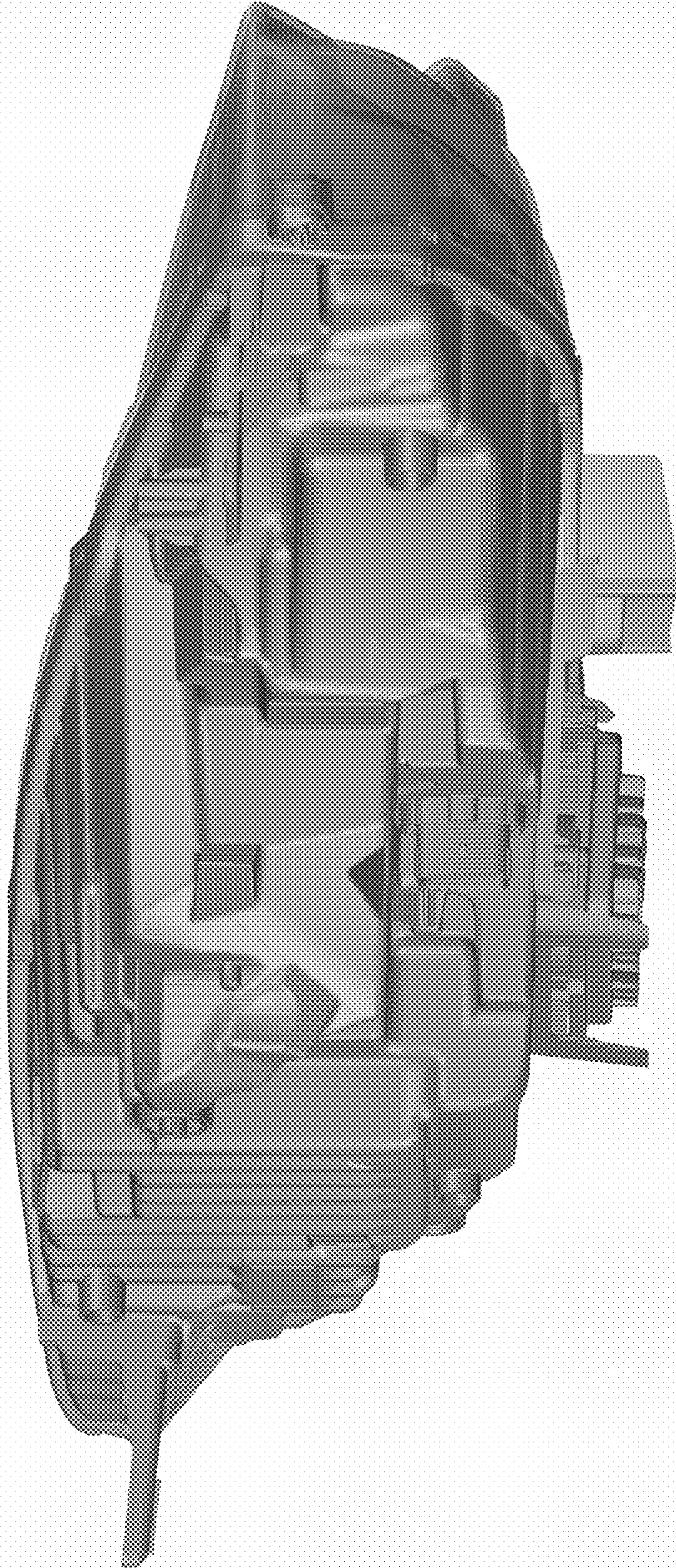


Fig. 40

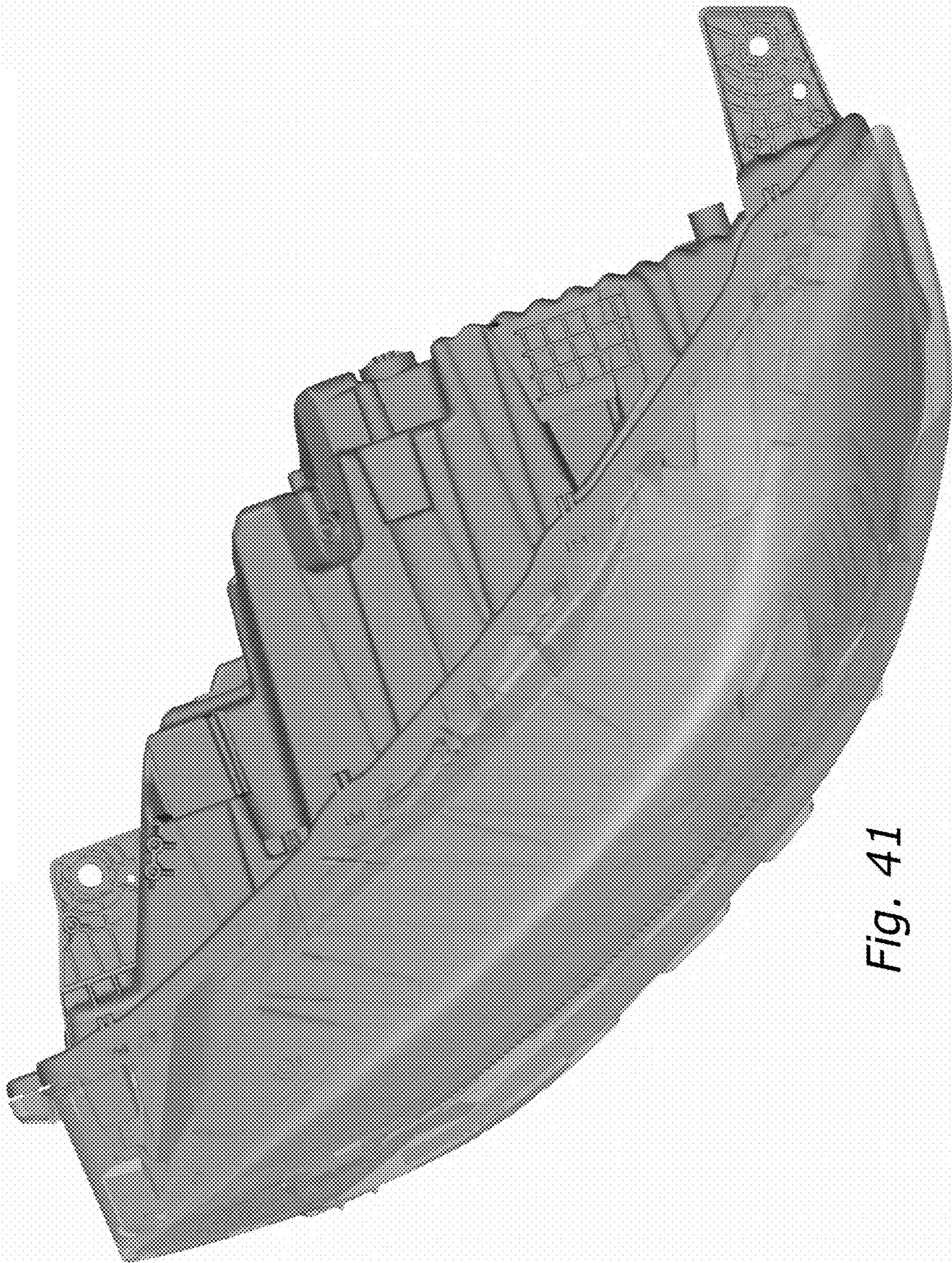


Fig. 41

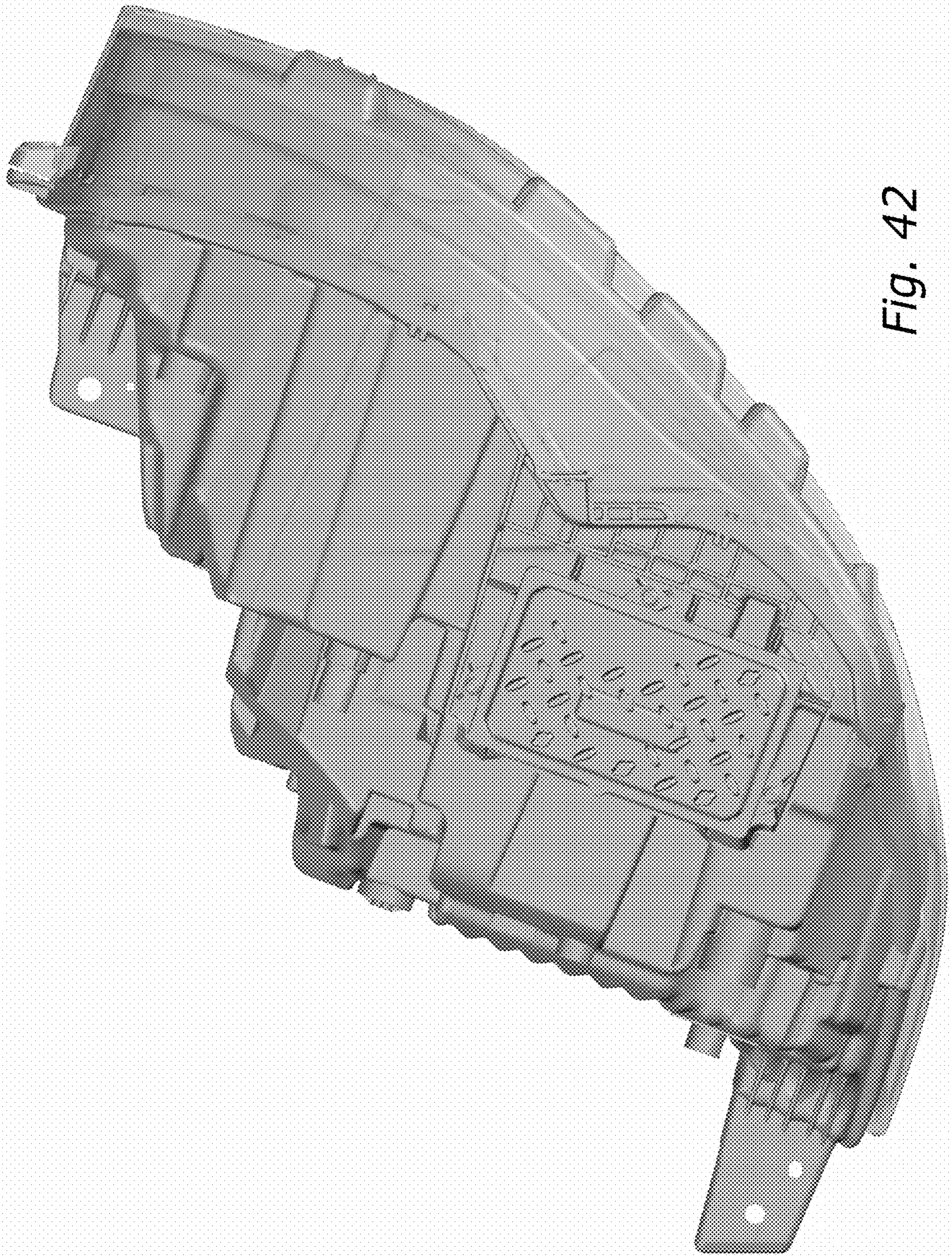


Fig. 42



Fig. 43

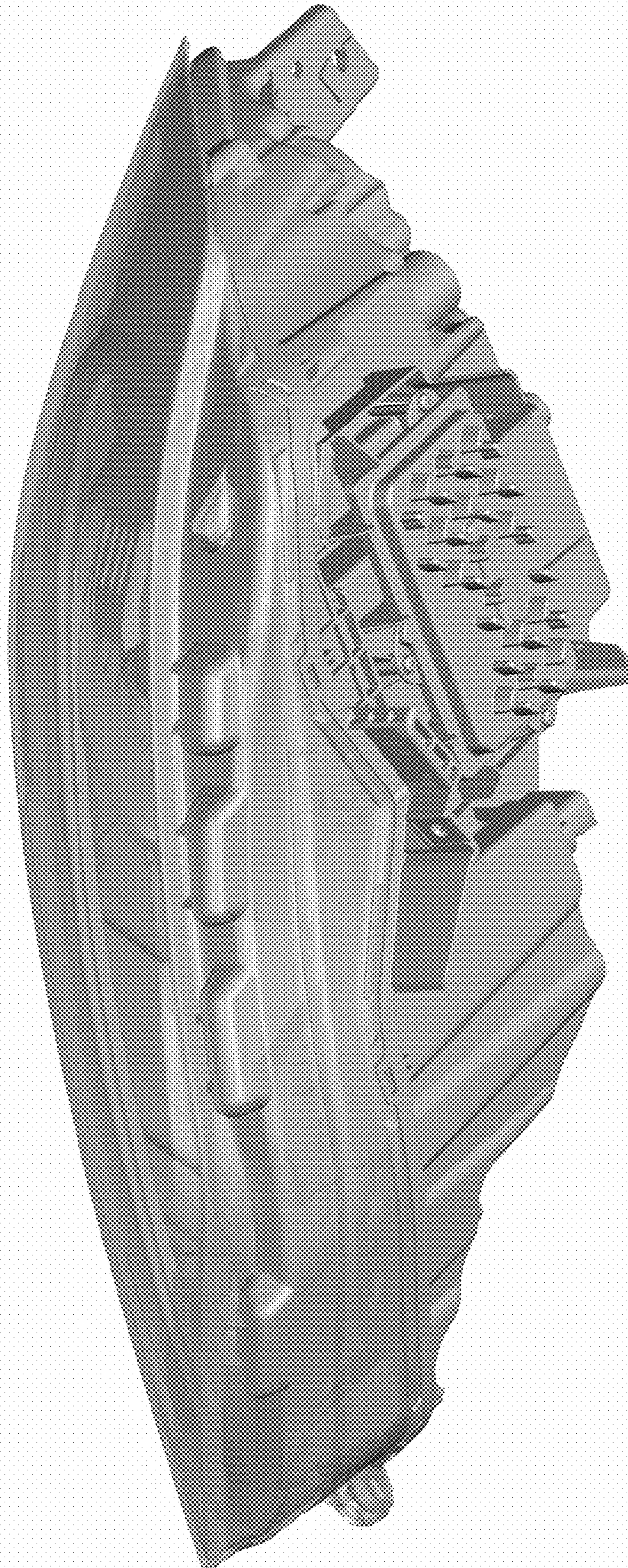


Fig. 44

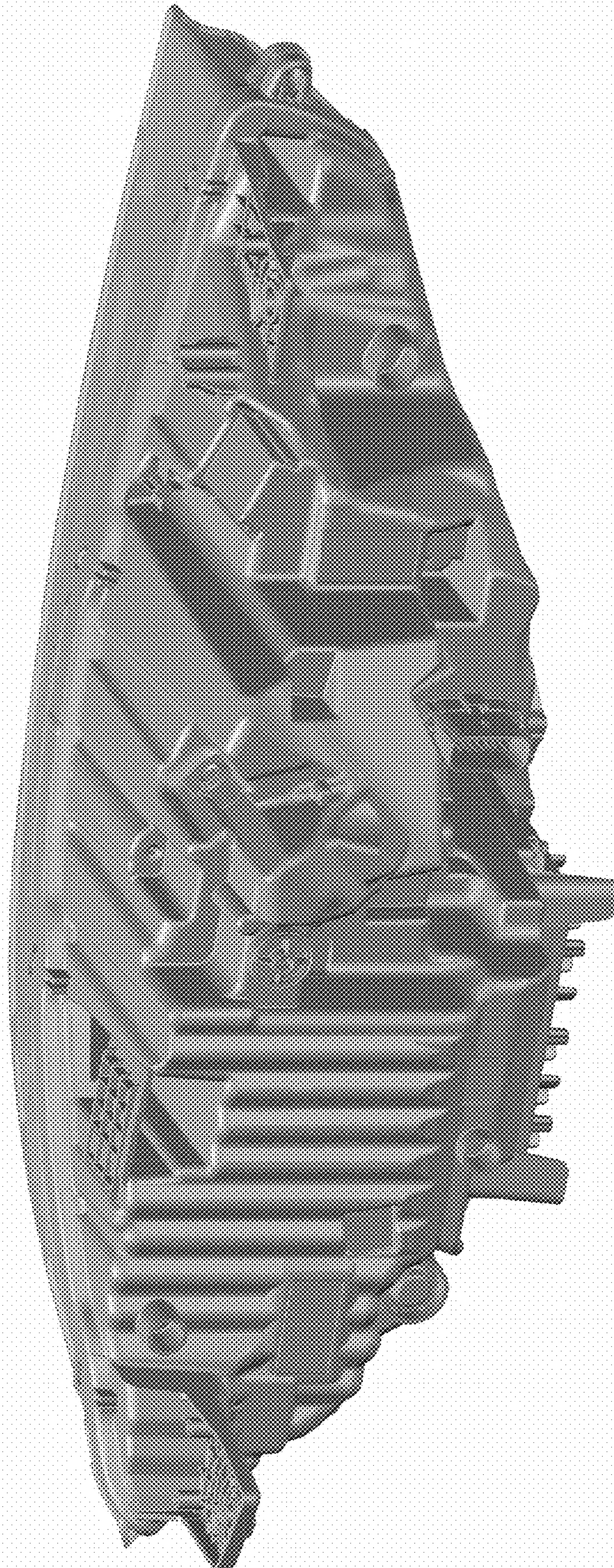


Fig. 45



Fig. 46





Fig. 47

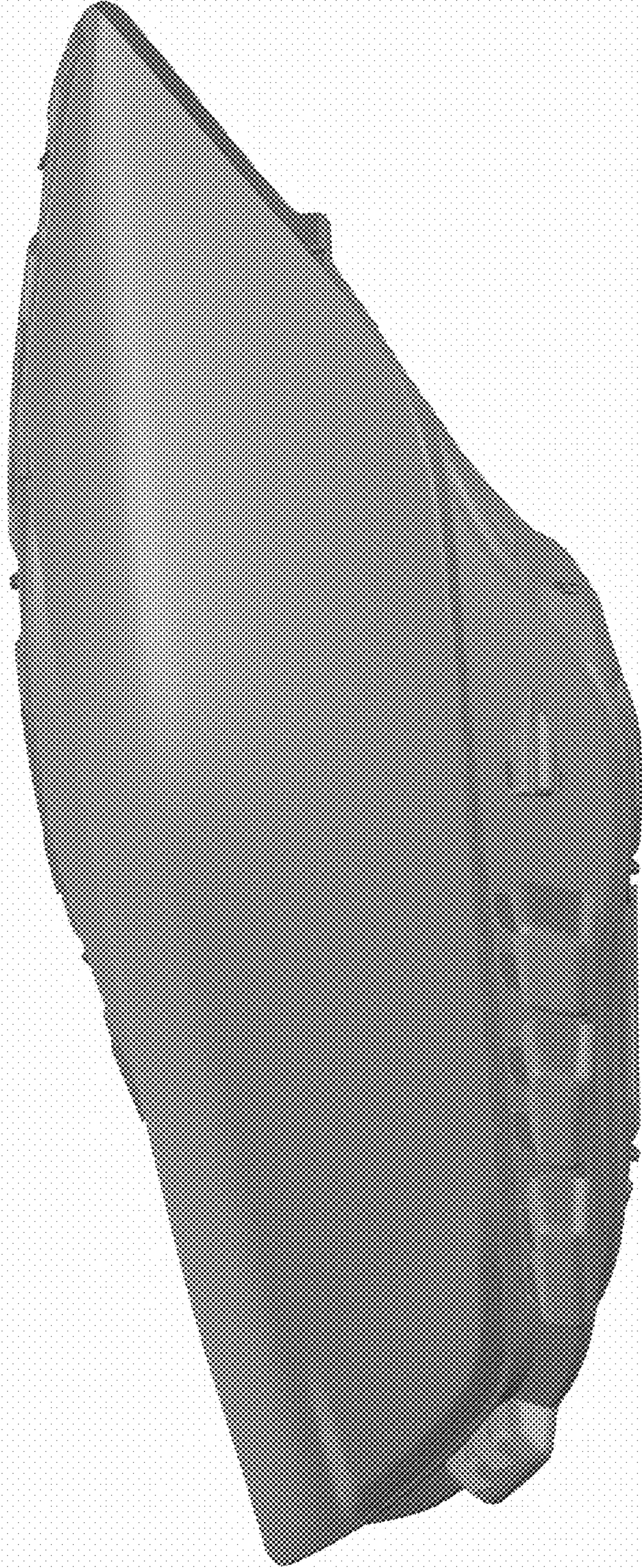


Fig. 48

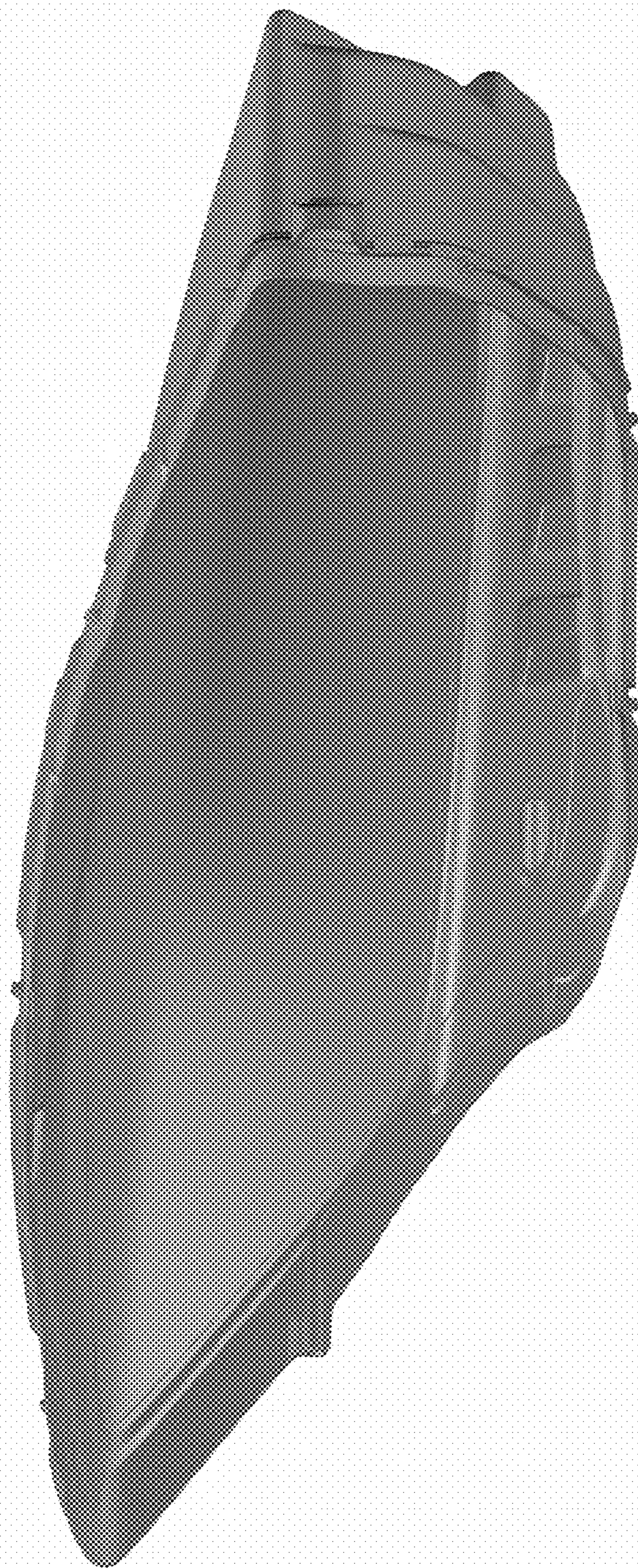


Fig. 49

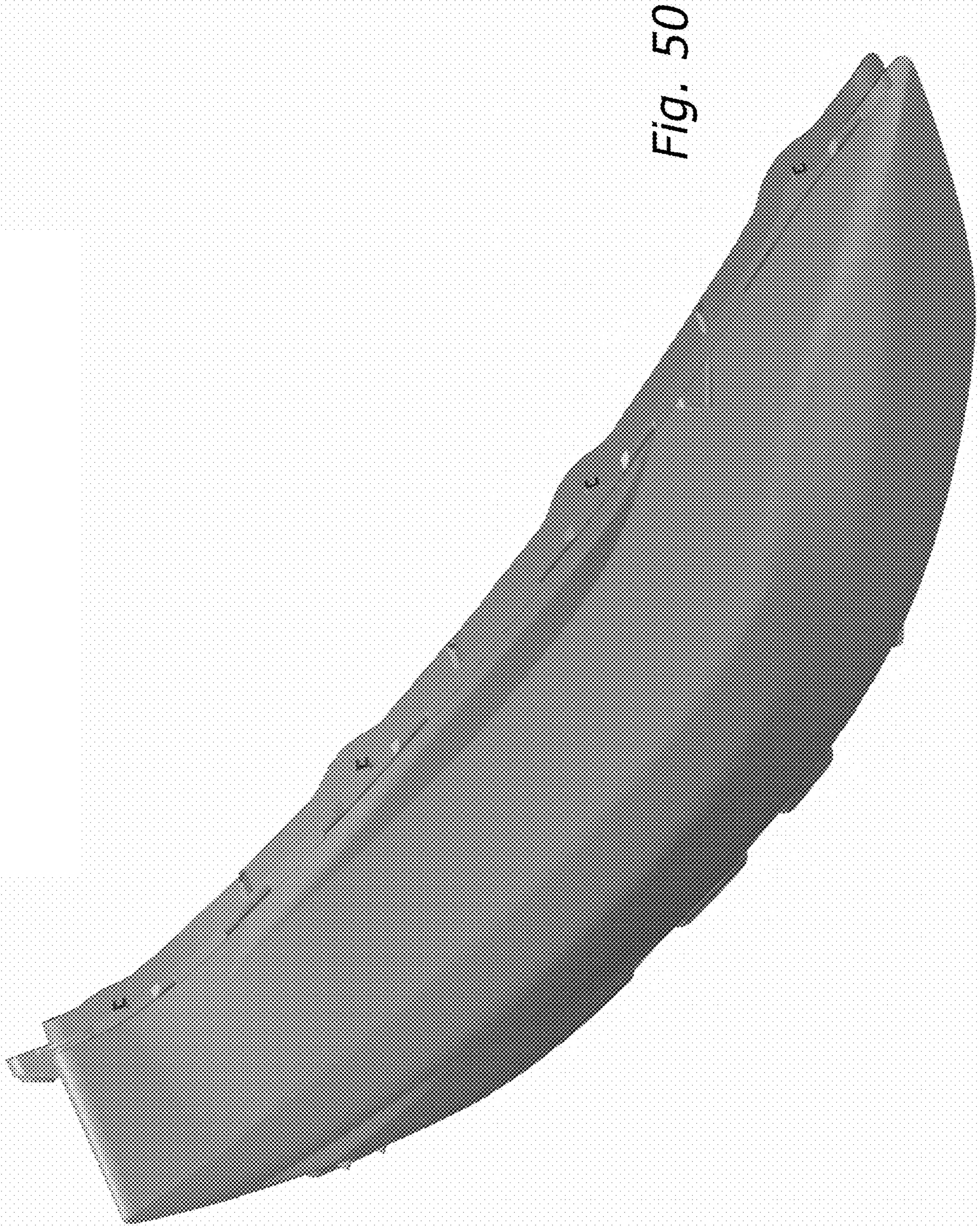


Fig. 50

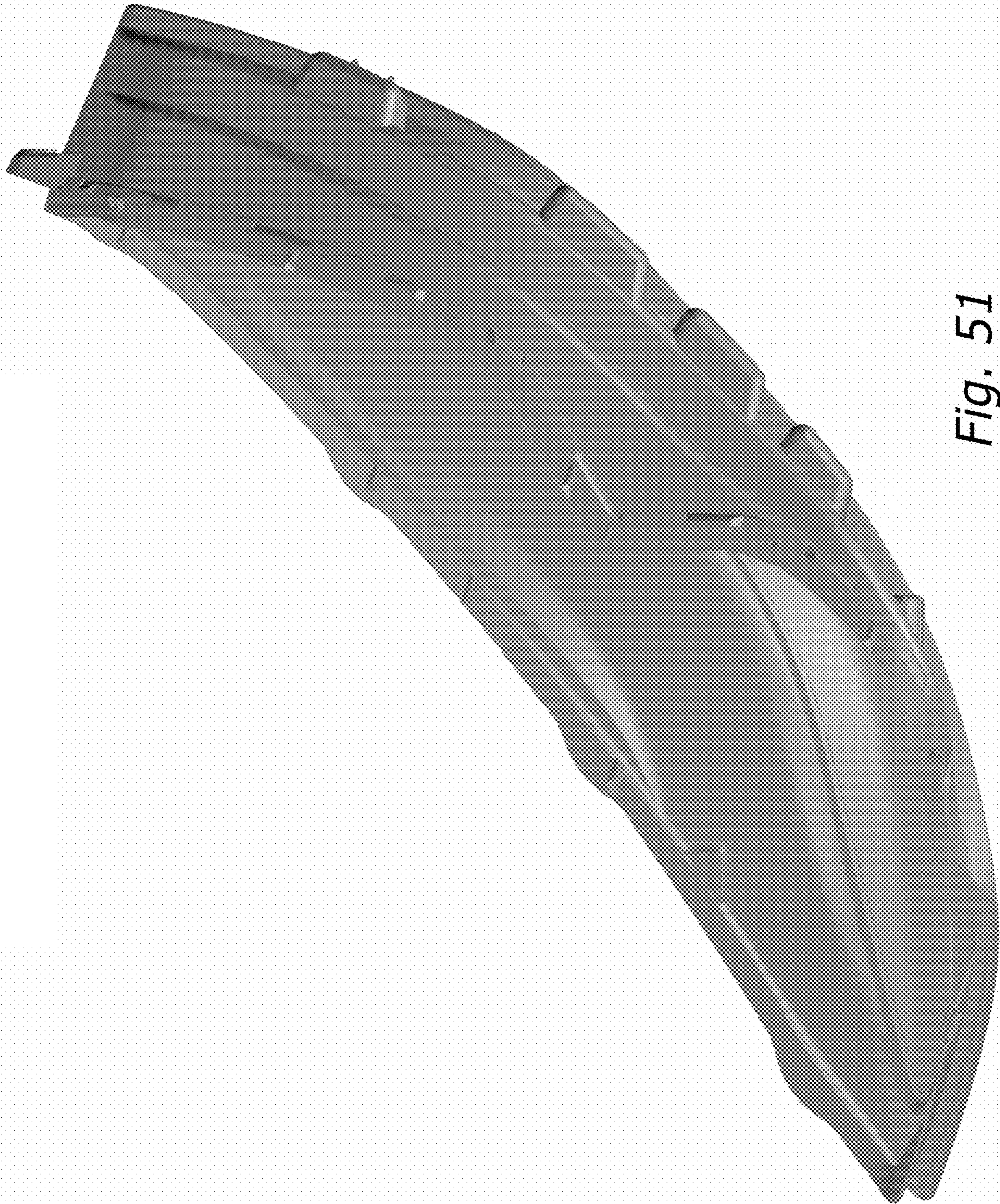
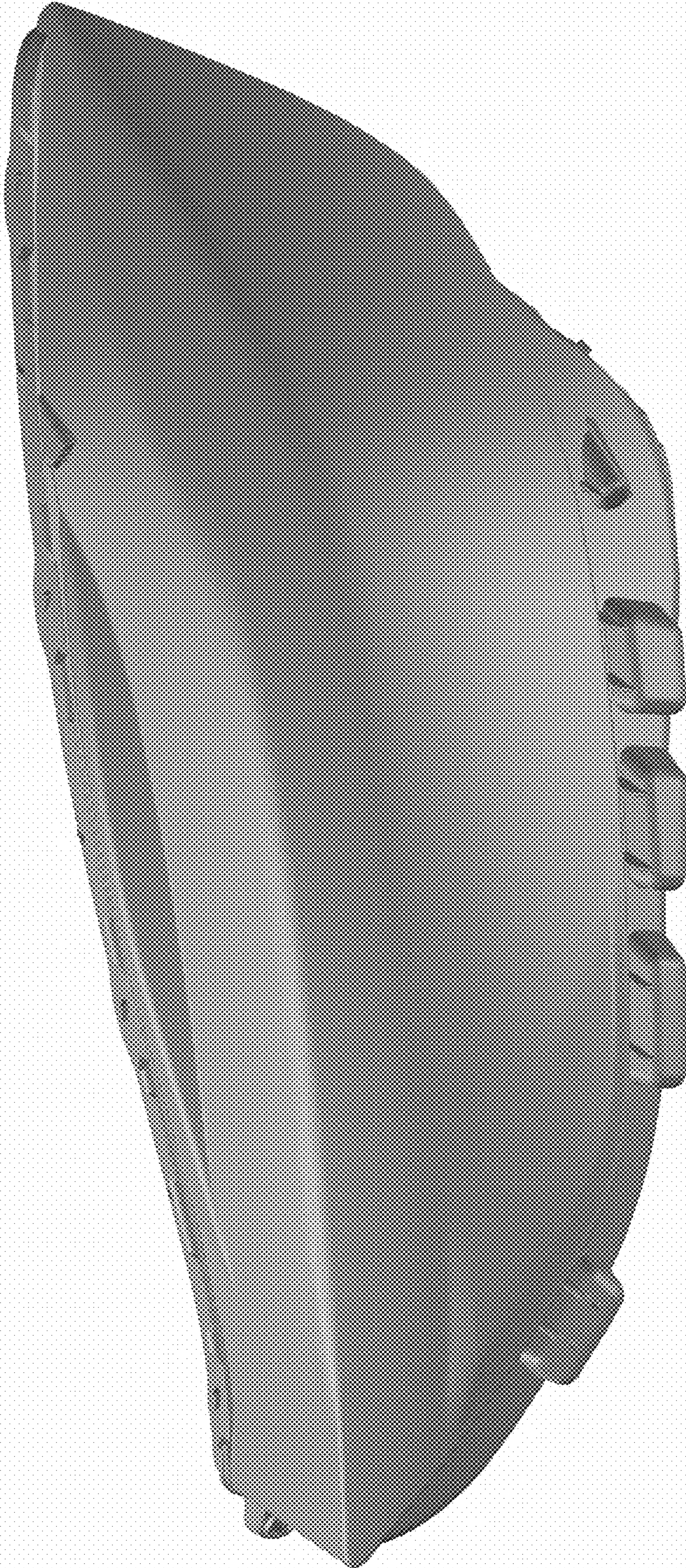


Fig. 51

Fig. 52



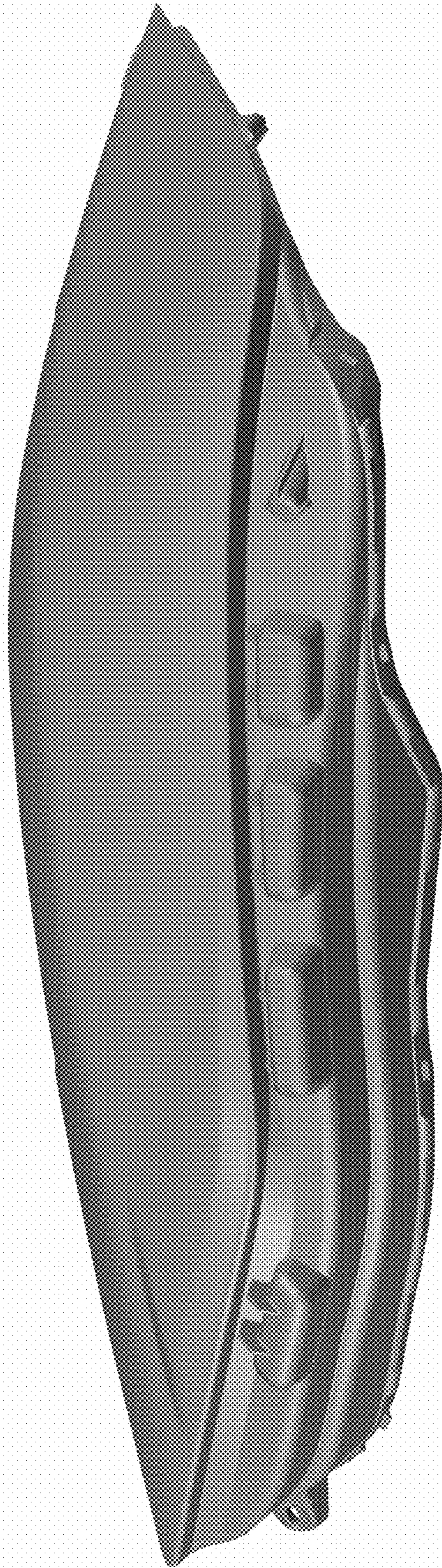


Fig. 53

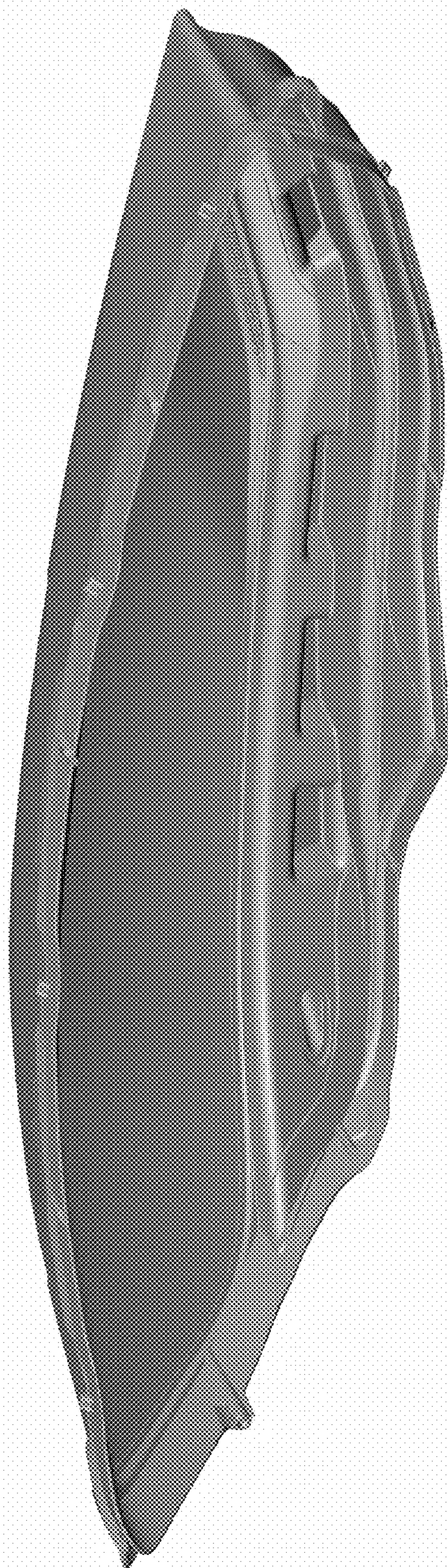


Fig. 54