



US00D877939S

(12) **United States Design Patent**
Allen et al.

(10) **Patent No.:** **US D877,939 S**
(45) **Date of Patent:** **** Mar. 10, 2020**

(54) **MASONRY BLOCK**

- (71) Applicant: **Cind-R-Lite Block Company**, North Las Vegas, NV (US)
- (72) Inventors: **Thomas H. Allen**, Las Vegas, NV (US); **Cory J. Climaldi**, North Las Vegas, NV (US)
- (73) Assignee: **Cind-R-Lite Block Company**, North Las Vegas, NV (US)
- (**) Term: **15 Years**
- (21) Appl. No.: **29/656,055**
- (22) Filed: **Jul. 10, 2018**
- (51) **LOC (12) Cl.** **25-01**
- (52) **U.S. Cl.**
USPC **D25/118**
- (58) **Field of Classification Search**
USPC D21/484-491, 499-502; D25/112-118, D25/164
CPC E04B 2/42; E04B 2/46; E04B 2/48; E04B 2/54
See application file for complete search history.

(56) **References Cited**

U.S. PATENT DOCUMENTS

2,684,589	A *	7/1954	Perreton	E04B 2/42 52/591.2
5,193,320	A *	3/1993	Coccagna	E04B 2/10 52/442
D608,462	S *	1/2010	Hammer	D25/113
D662,612	S *	6/2012	Dyson	D25/113
D686,756	S *	7/2013	Nanayakkara	D25/113
D687,166	S *	7/2013	Dyson	D25/113
2012/0159889	A1 *	6/2012	Dyson	E04B 2/46 52/503
2017/0218622	A1 *	8/2017	Manthei	B28B 7/002

OTHER PUBLICATIONS

Modern Deco Cind-R-Lite <https://www.cind-r-lite.com/products/architectural-block/moderndeco/> Sep. 2018 (Year: 2018).*

* cited by examiner

Primary Examiner — Leanne Was-Englehart

(74) *Attorney, Agent, or Firm* — Howard & Howard Attorneys PLLC

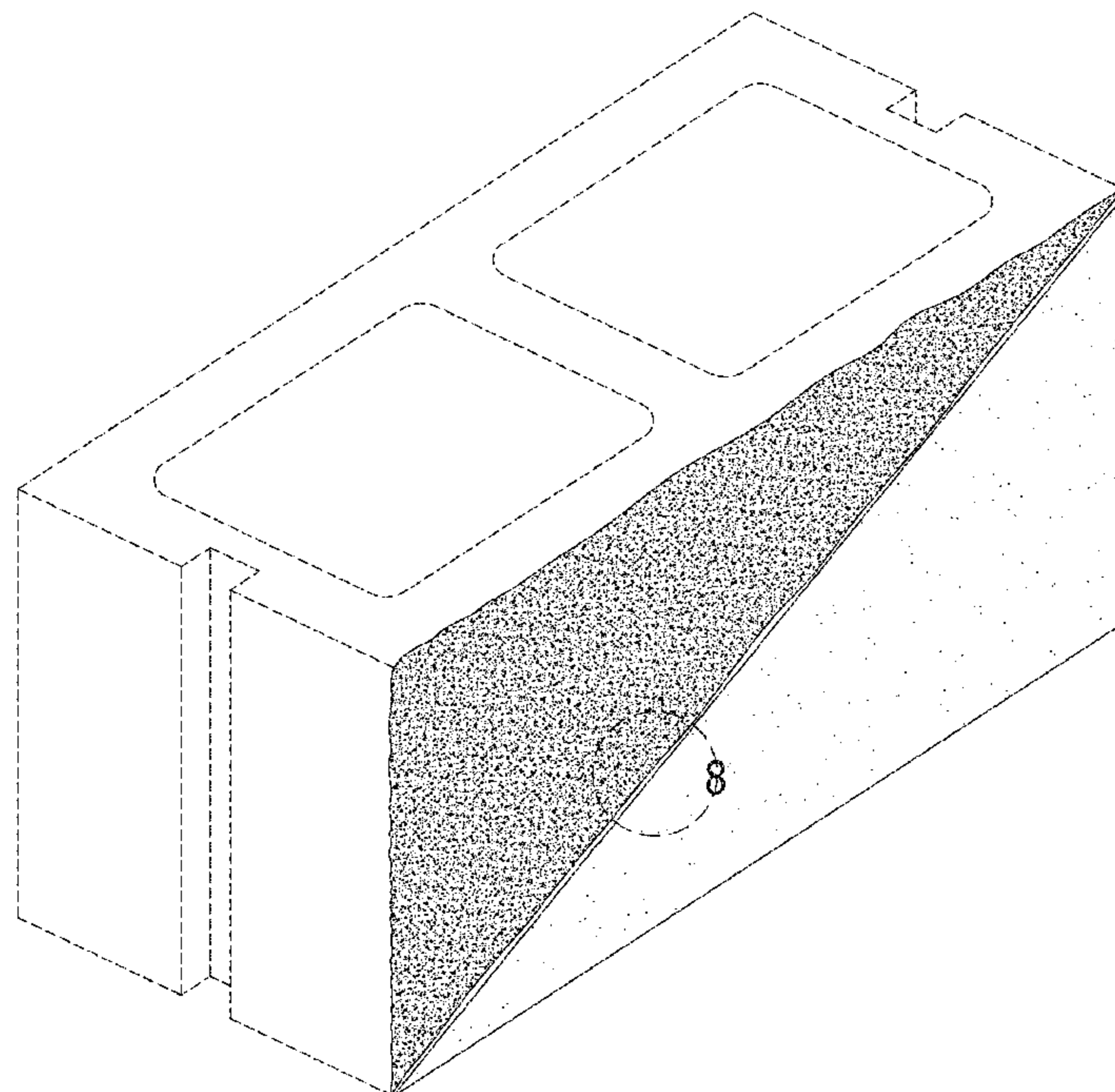
(57) **CLAIM**

We claim the ornamental design for a masonry block, as shown and described.

DESCRIPTION

FIG. 1 is a perspective view of a masonry block;
 FIG. 2 is a front view of the masonry block, as shown in FIG. 1;
 FIG. 3 is a rear view of the masonry block, shown in FIG. 1;
 FIG. 4 is a first side view of the masonry block, shown in FIG. 1;
 FIG. 5 is a second side view of the masonry block, shown in FIG. 1;
 FIG. 6 is a top view of the masonry block, shown in FIG. 1;
 FIG. 7 is a bottom view of the masonry block, shown in FIG. 1; and,
 FIG. 8 is an enlarged view of the circular detail, shown in FIG. 1.
 The dashed lines shown in the figures represent unclaimed portions of the masonry block and form no part of the claimed design. The broken line circle in FIGS. 1 and 8 depicts the limits of the enlarged view and forms no part of the claimed design.

1 Claim, 8 Drawing Sheets



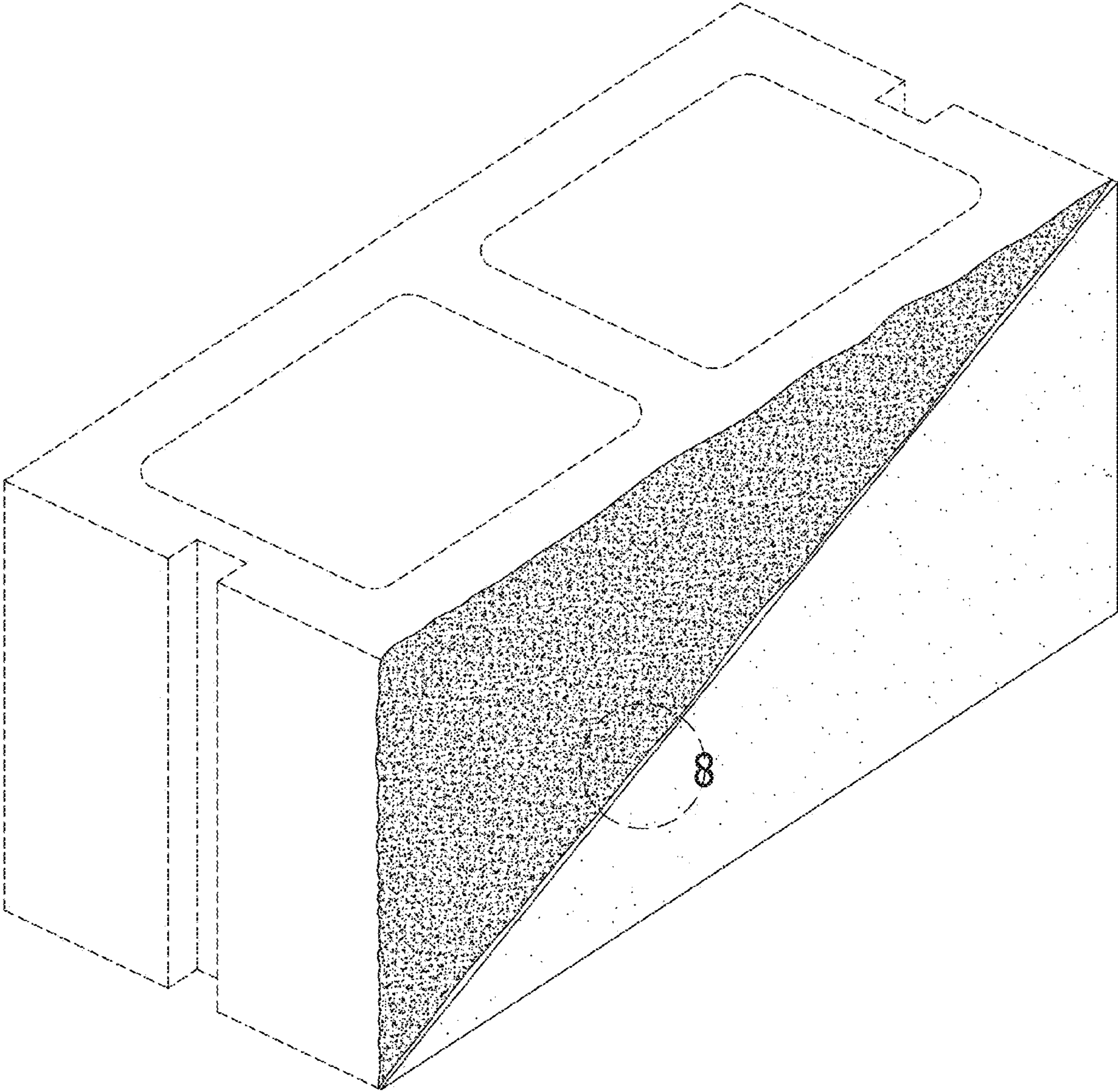


FIG. 1

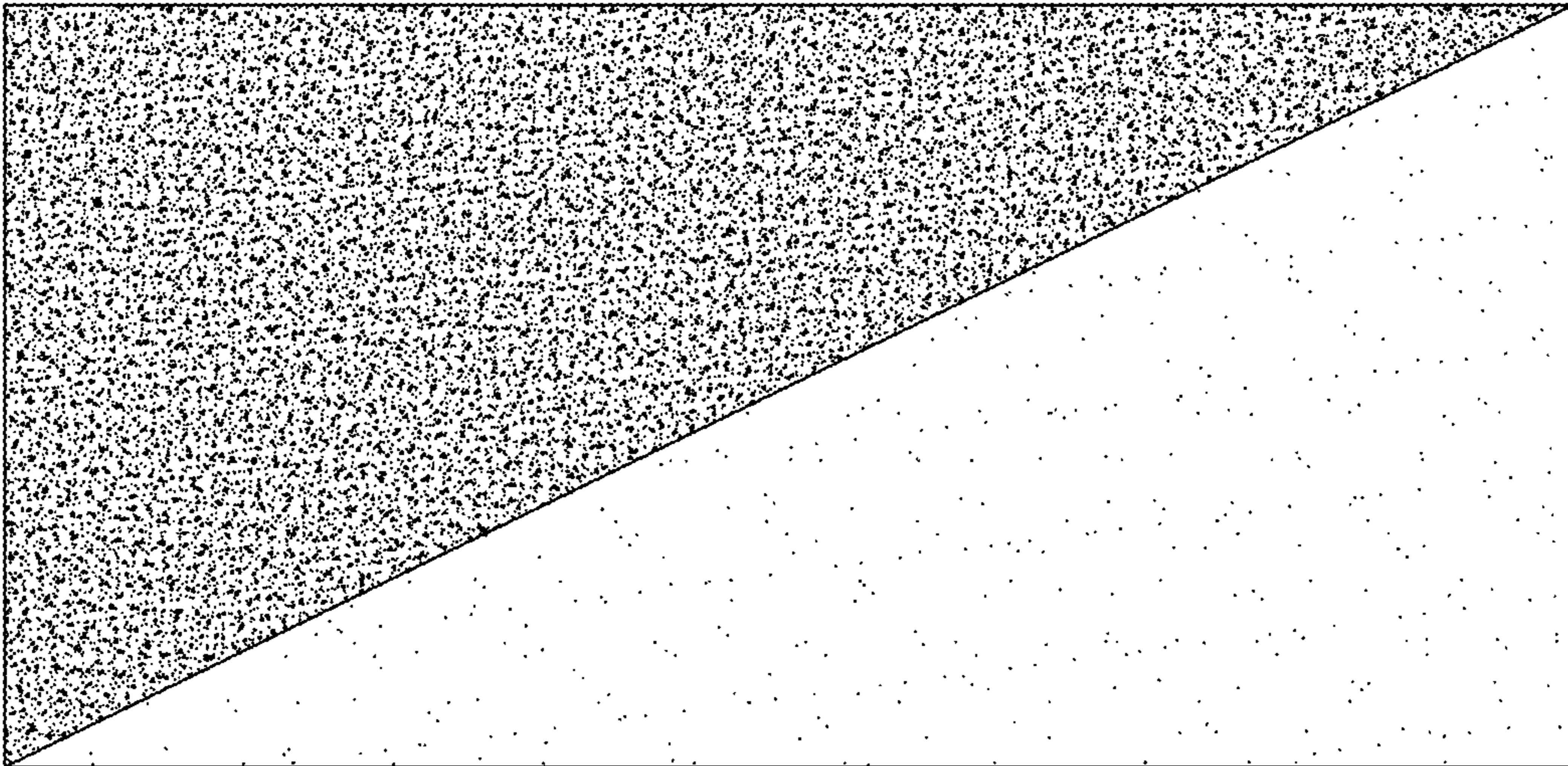


FIG. 2



FIG. 3

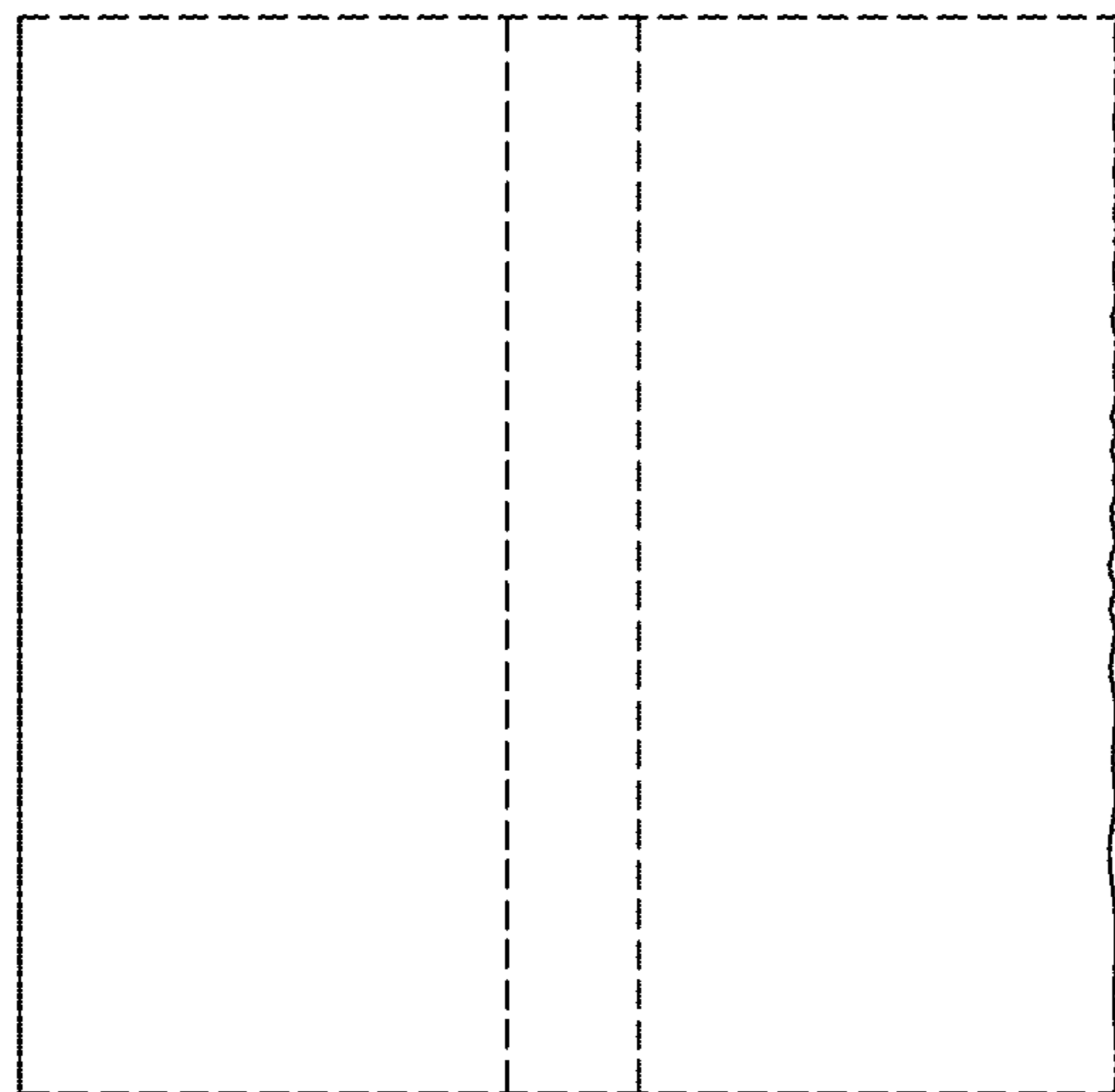


FIG. 4

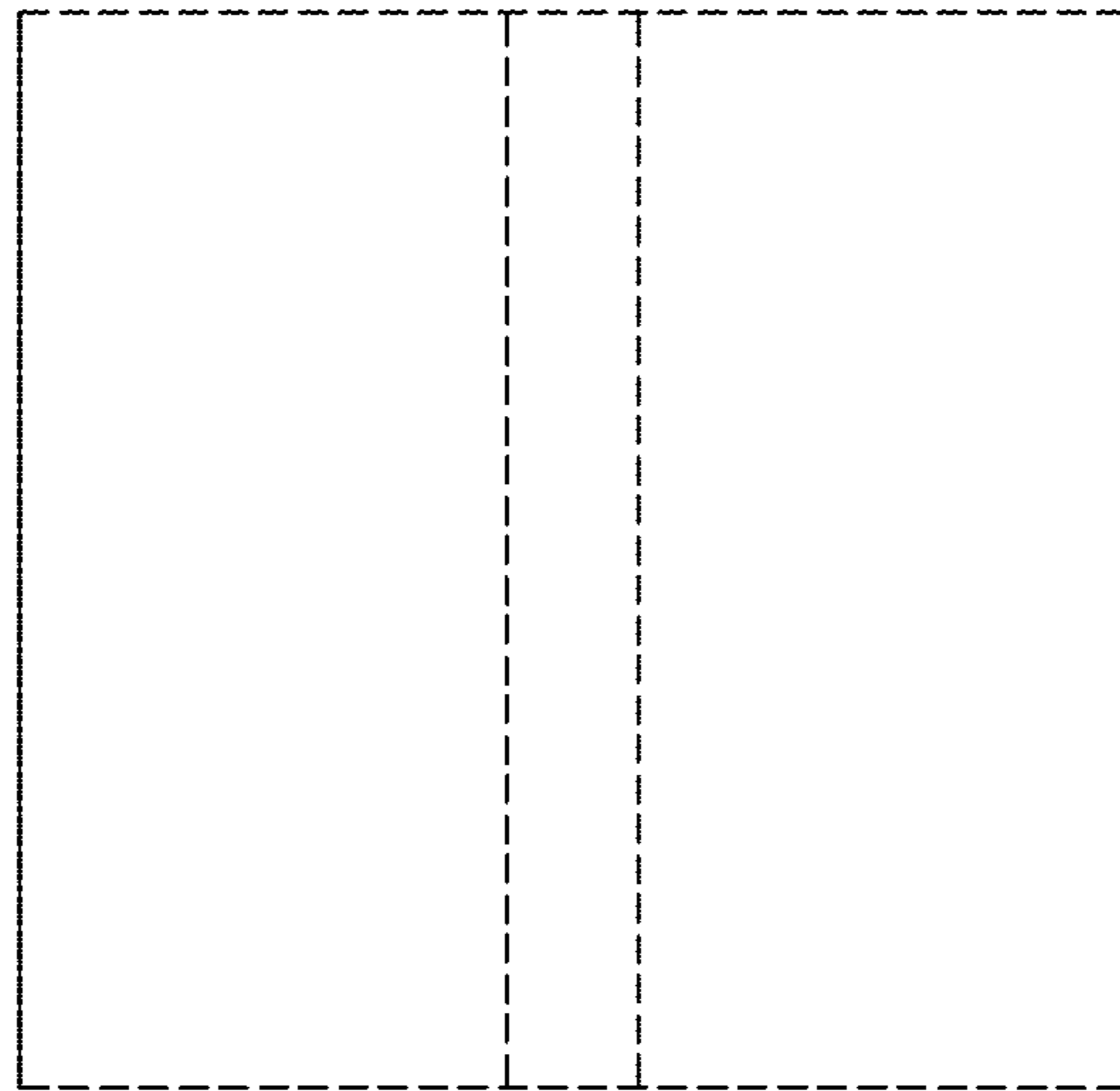


FIG. 5

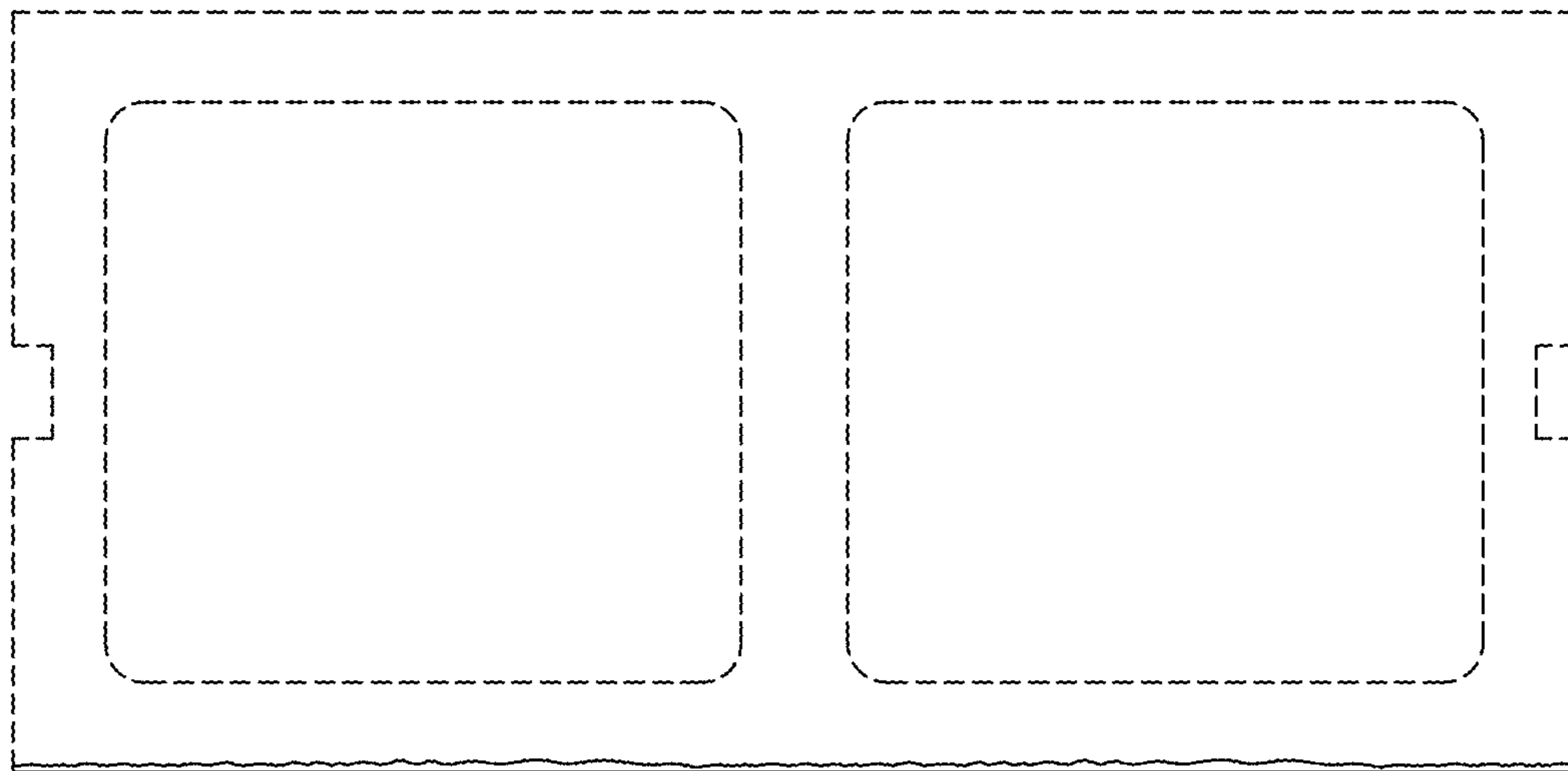


FIG. 6

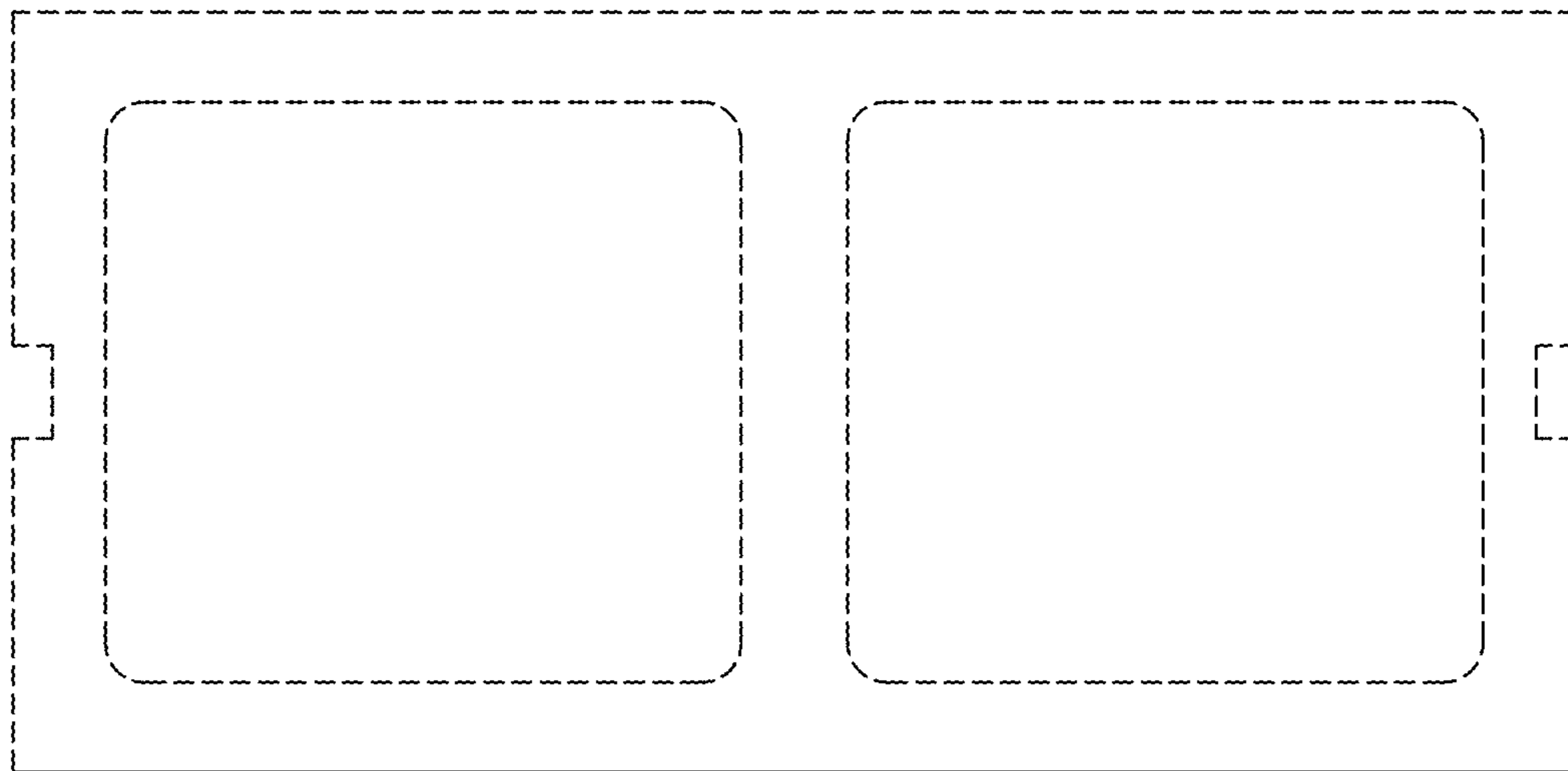


FIG. 7

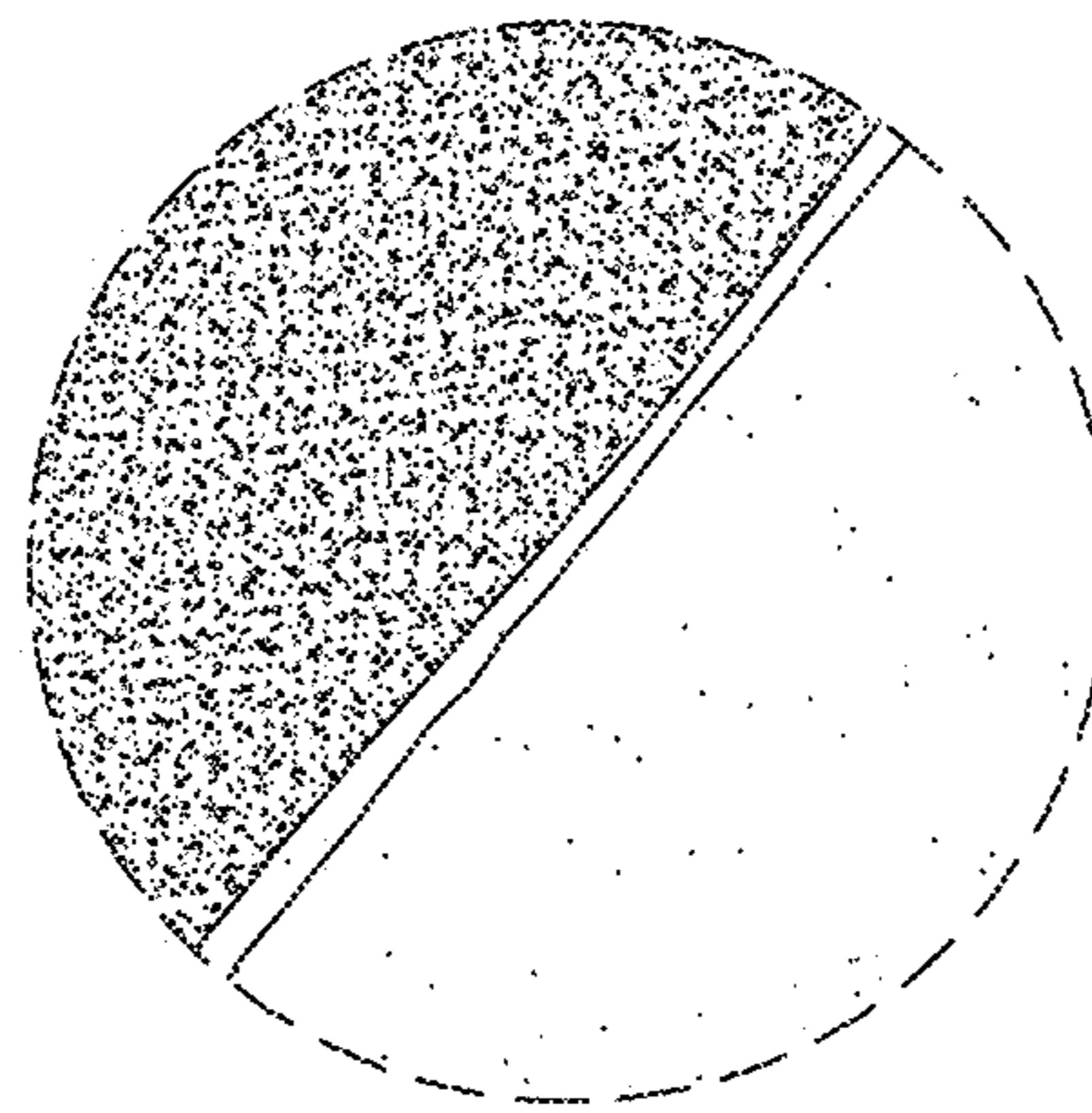


FIG. 8