



US00D877938S

(12) **United States Design Patent** (10) **Patent No.:** **US D877,938 S**
Allen et al. (45) **Date of Patent:** **** Mar. 10, 2020**

(54) **MASONRY BLOCK**

2012/0159889 A1* 6/2012 Dyson E04B 2/46
52/503

(71) Applicant: **Cind-R-Lite Block Company**, North Las Vegas, NV (US)

OTHER PUBLICATIONS

(72) Inventors: **Thomas H. Allen**, Las Vegas, NV (US); **Cory J. Climaldi**, North Las Vegas, NV (US)

Modern Deco Cind-R-Lite <https://www.cind-r-lite.com/products/architectural-block/moderndeco/> Sep. 2018 (Year: 2018).*

* cited by examiner

(73) Assignee: **Cind-R-Lite Block Company**, North Las Vegas, NV (US)

Primary Examiner — Leanne Was-Englehart
(74) *Attorney, Agent, or Firm* — Howard & Howard Attorneys PLLC

(**) Term: **15 Years**

(57) **CLAIM**

(21) Appl. No.: **29/656,107**

We claim the ornamental design for a masonry block, as shown and described.

(22) Filed: **Jul. 10, 2018**

DESCRIPTION

(51) **LOC (12) Cl.** **25-01**

(52) **U.S. Cl.**

USPC **D25/117**

(58) **Field of Classification Search**

USPC D21/484–491, 499–502; D25/112–118, D25/164

CPC E04B 2/42; E04B 2/46; E04B 2/48; E04B 2/54

See application file for complete search history.

FIG. 1 is a perspective view of a masonry block; FIG. 2 is a front view of the masonry block, as shown in FIG. 1; FIG. 3 is a rear view of the masonry block, shown in FIG. 1; FIG. 4 is a first side view of the masonry block, shown in FIG. 1; FIG. 5 is a second side view of the masonry block, shown in FIG. 1; FIG. 6 is a top view of the masonry block, shown in FIG. 1; FIG. 7 is a bottom view of the masonry block, shown in FIG. 1; and, FIG. 8 is an enlarged view of the circular detail, shown in FIG. 1.

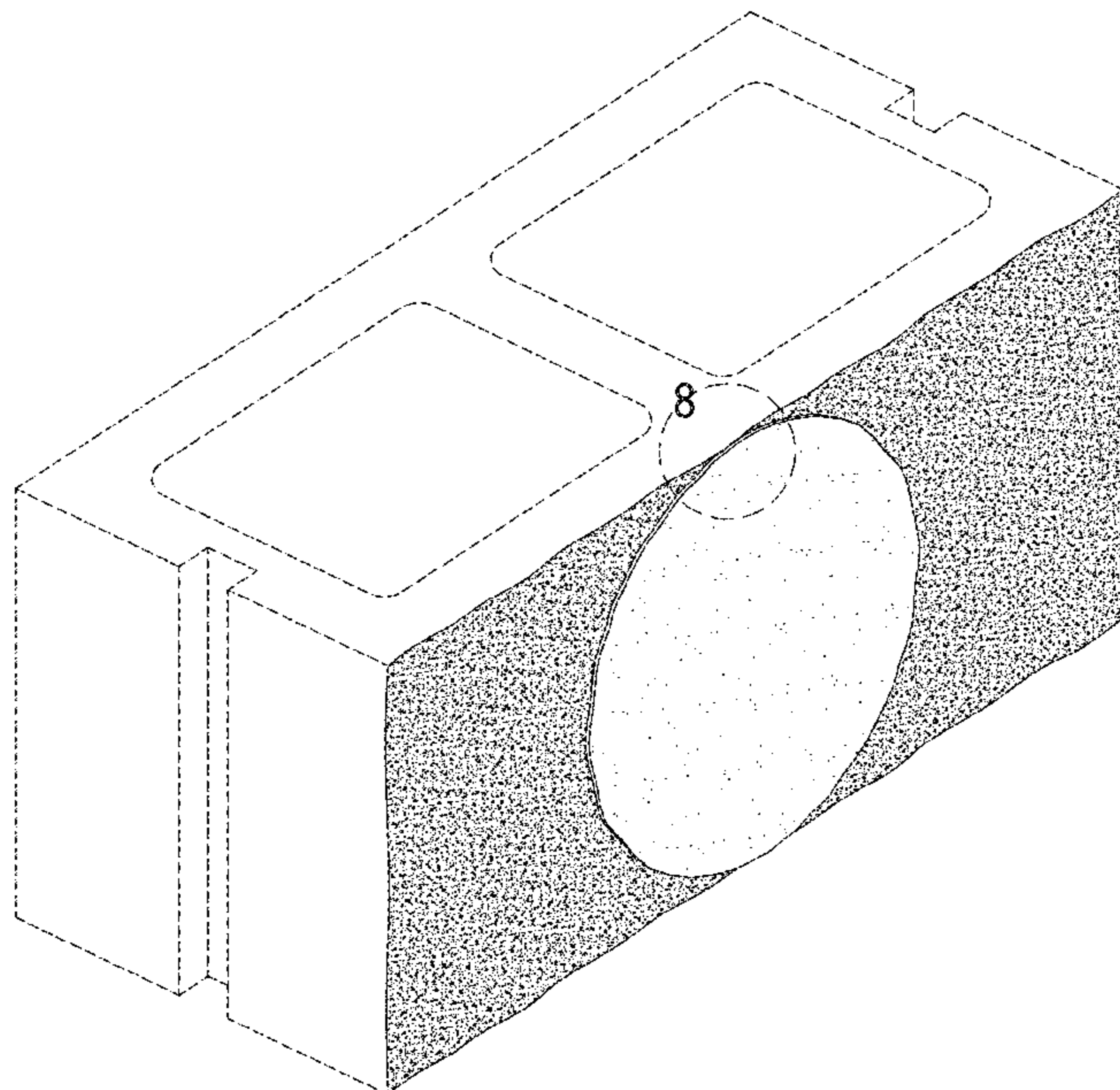
The dashed lines shown in the figures represent unclaimed portions of the masonry block and form no part of the claimed design. The broken line circle in FIGS. 1 and 8 depicts the limits of the enlarged view and forms no part of the claimed design.

(56) **References Cited**

U.S. PATENT DOCUMENTS

- 2,684,589 A * 7/1954 Perreton E04B 2/42
52/591.2
- 5,193,320 A * 3/1993 Coccagna E04B 2/10
52/442
- D408,557 S * 4/1999 Behunin D25/114
- D408,930 S * 4/1999 Behunin D25/114
- D409,313 S * 5/1999 Behunin D25/114
- D608,462 S * 1/2010 Hammer D25/113
- D686,756 S * 7/2013 Nanayakkara D25/113

1 Claim, 8 Drawing Sheets



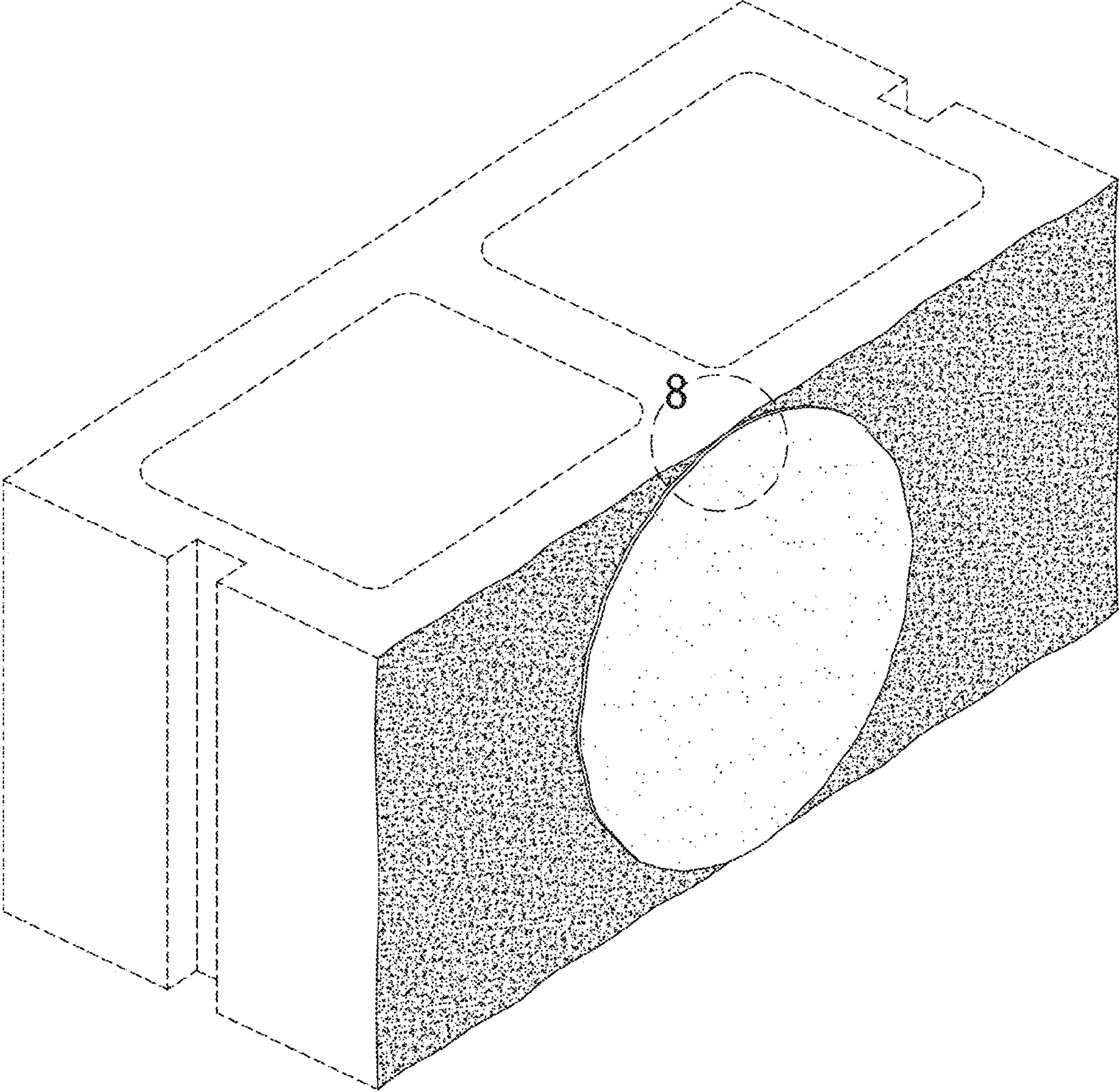


FIG. 1

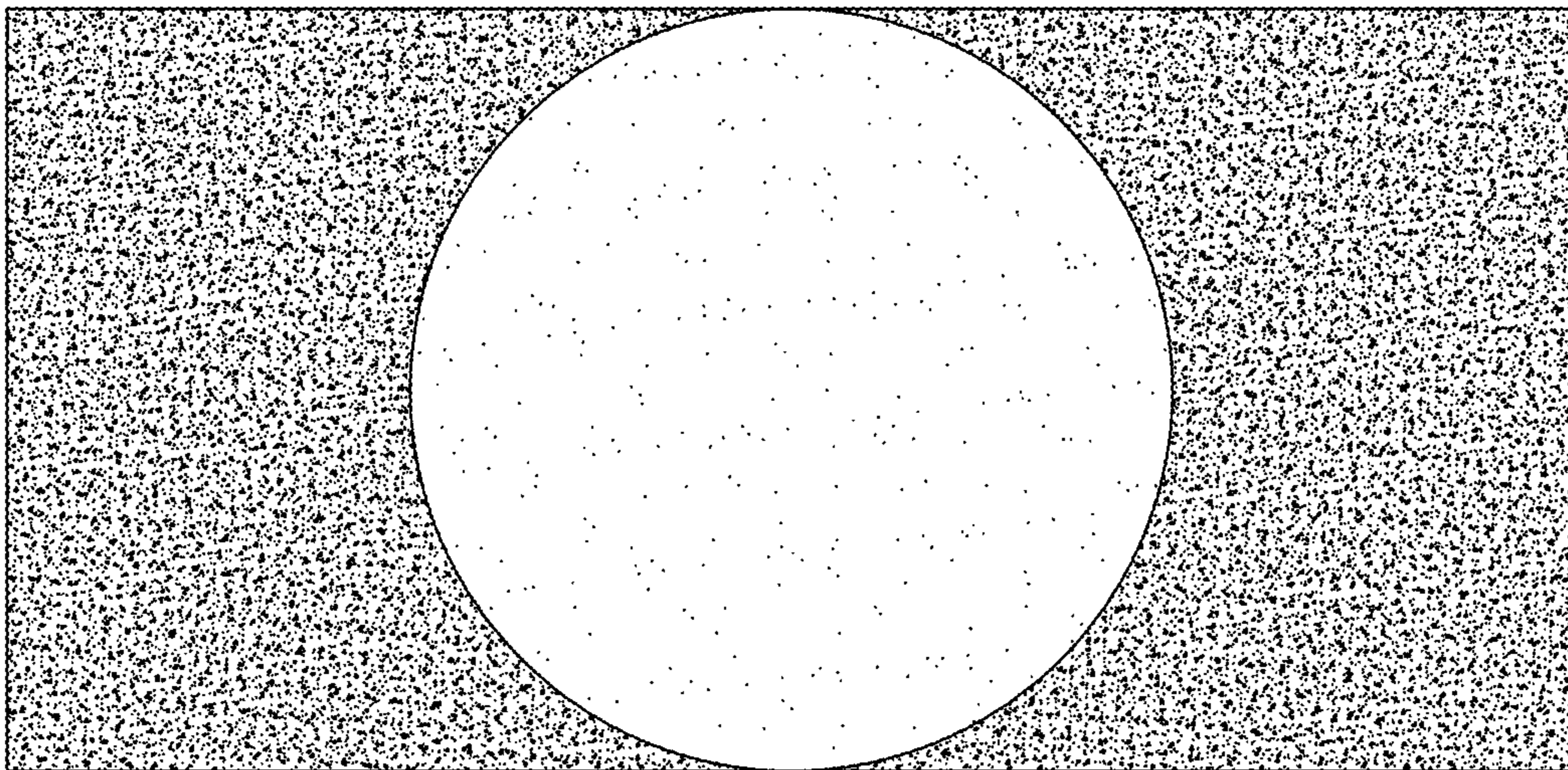


FIG. 2



FIG. 3

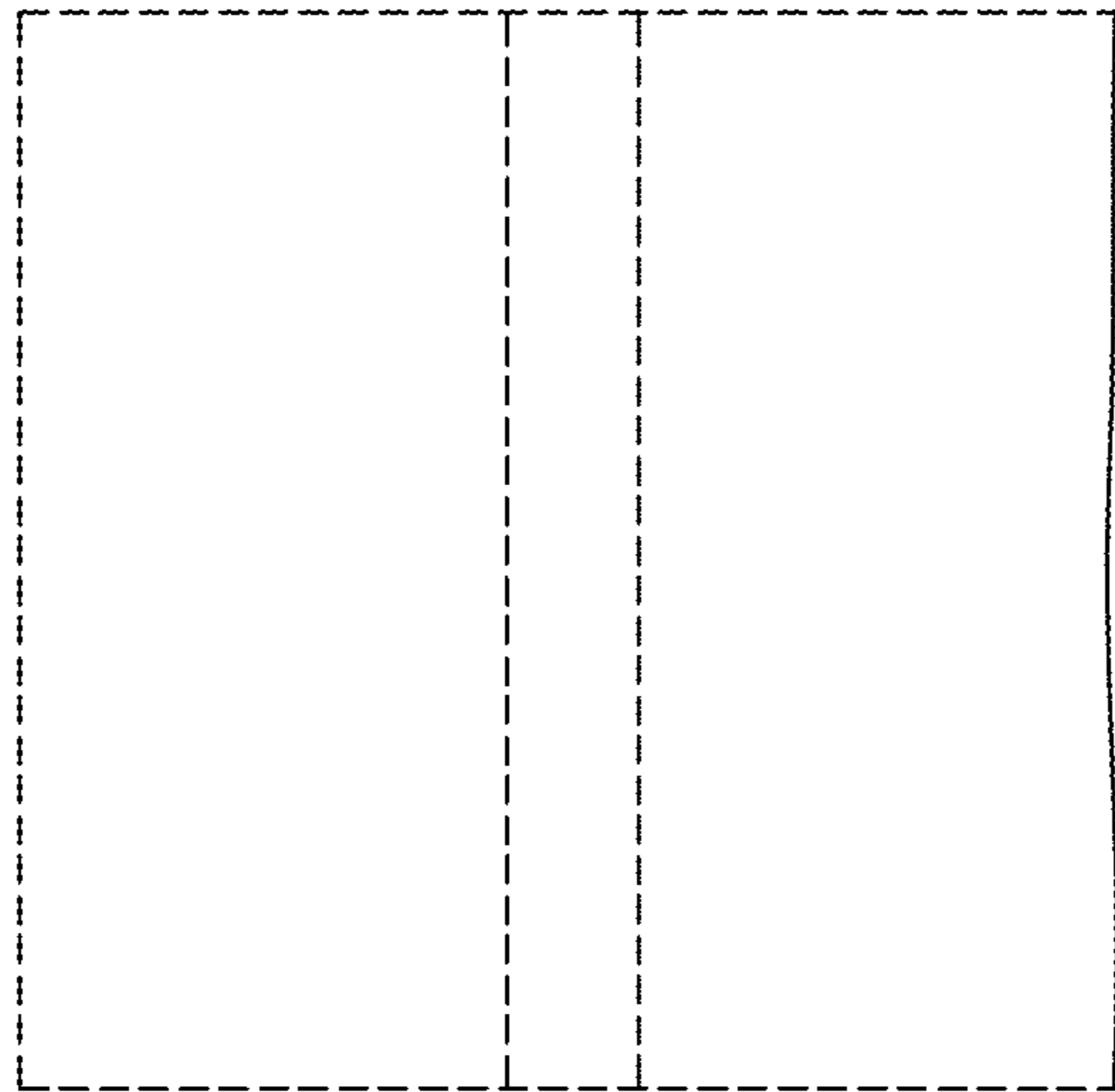


FIG. 4

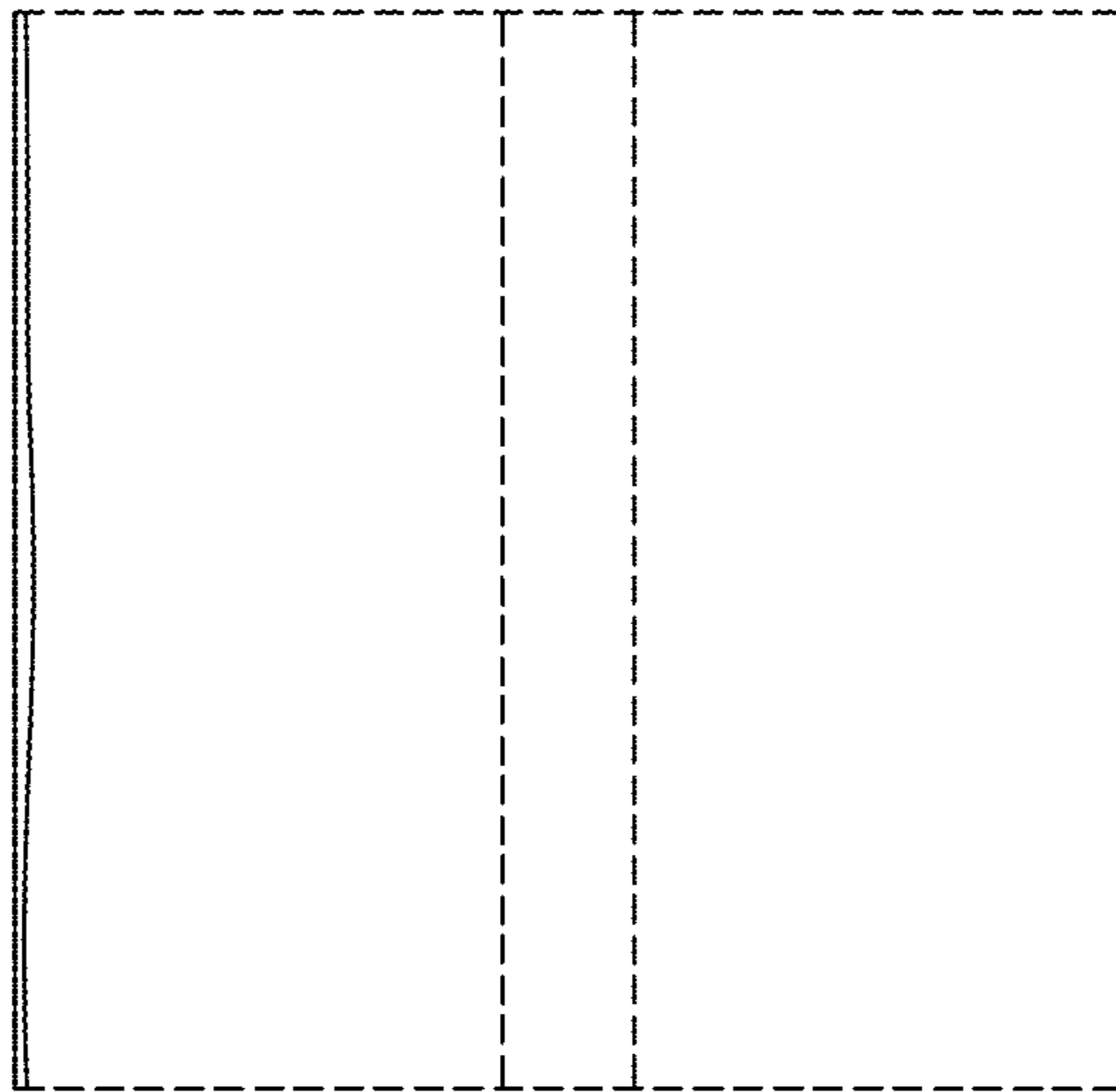


FIG. 5

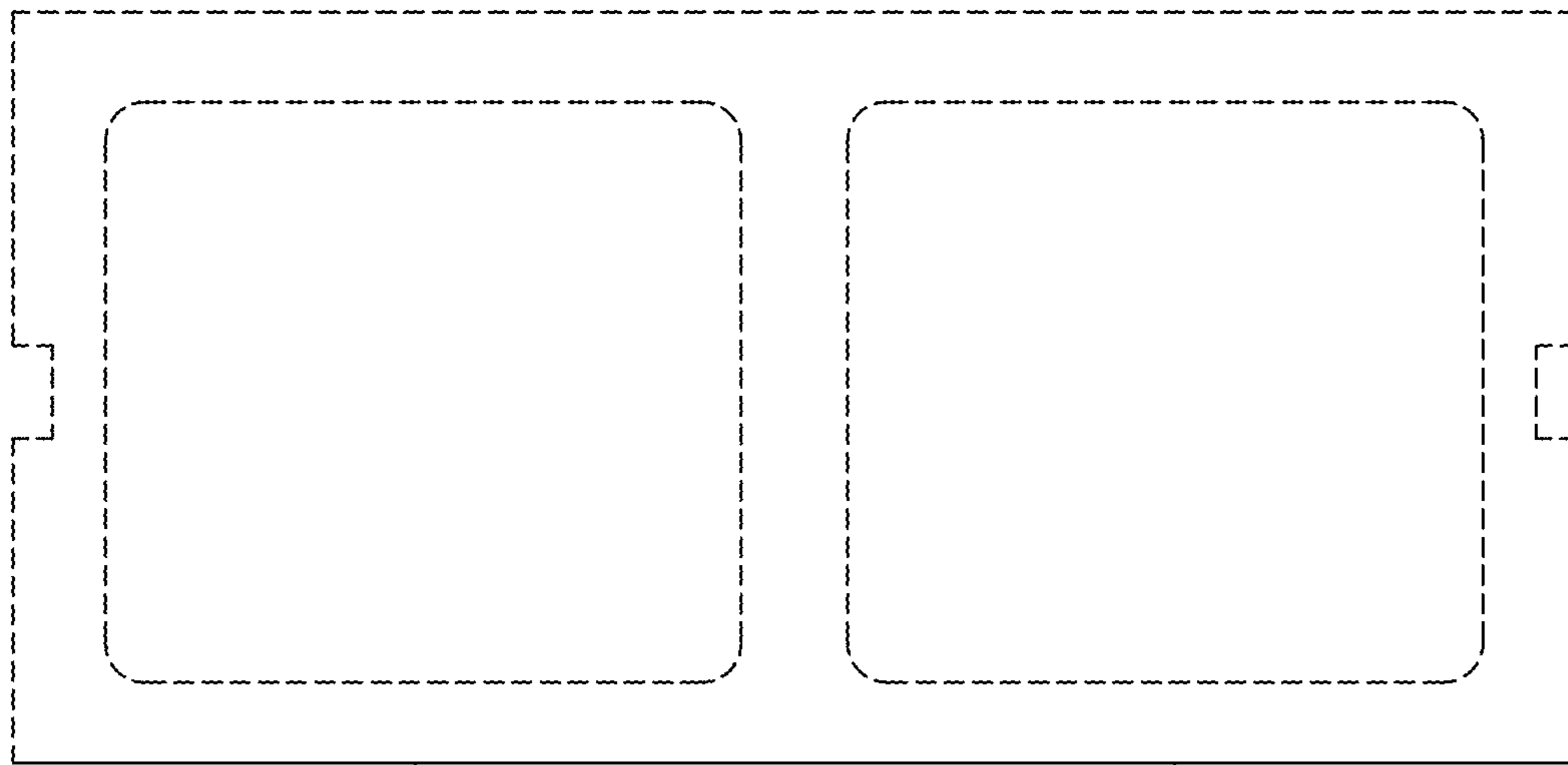


FIG. 6

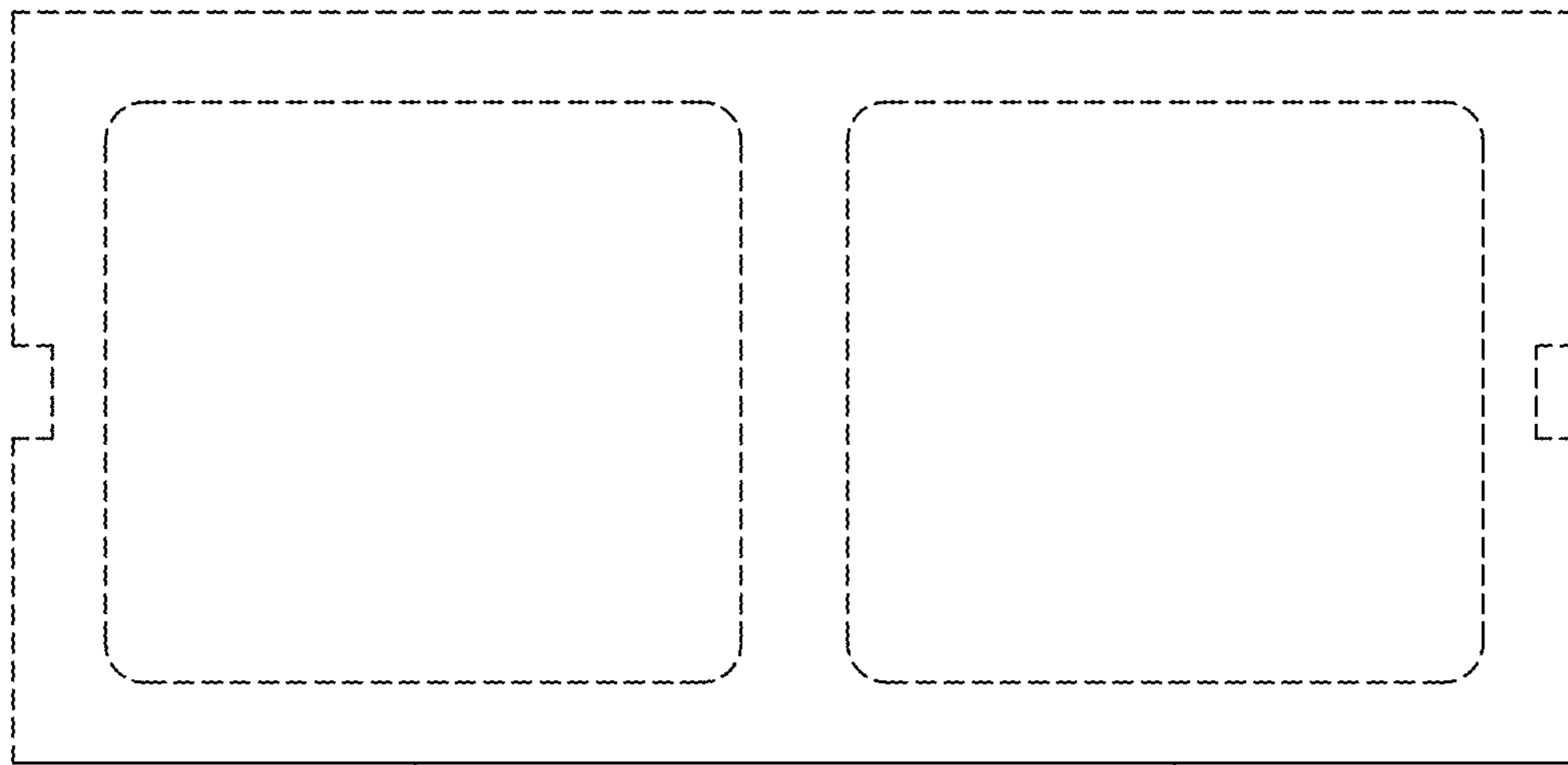


FIG. 7

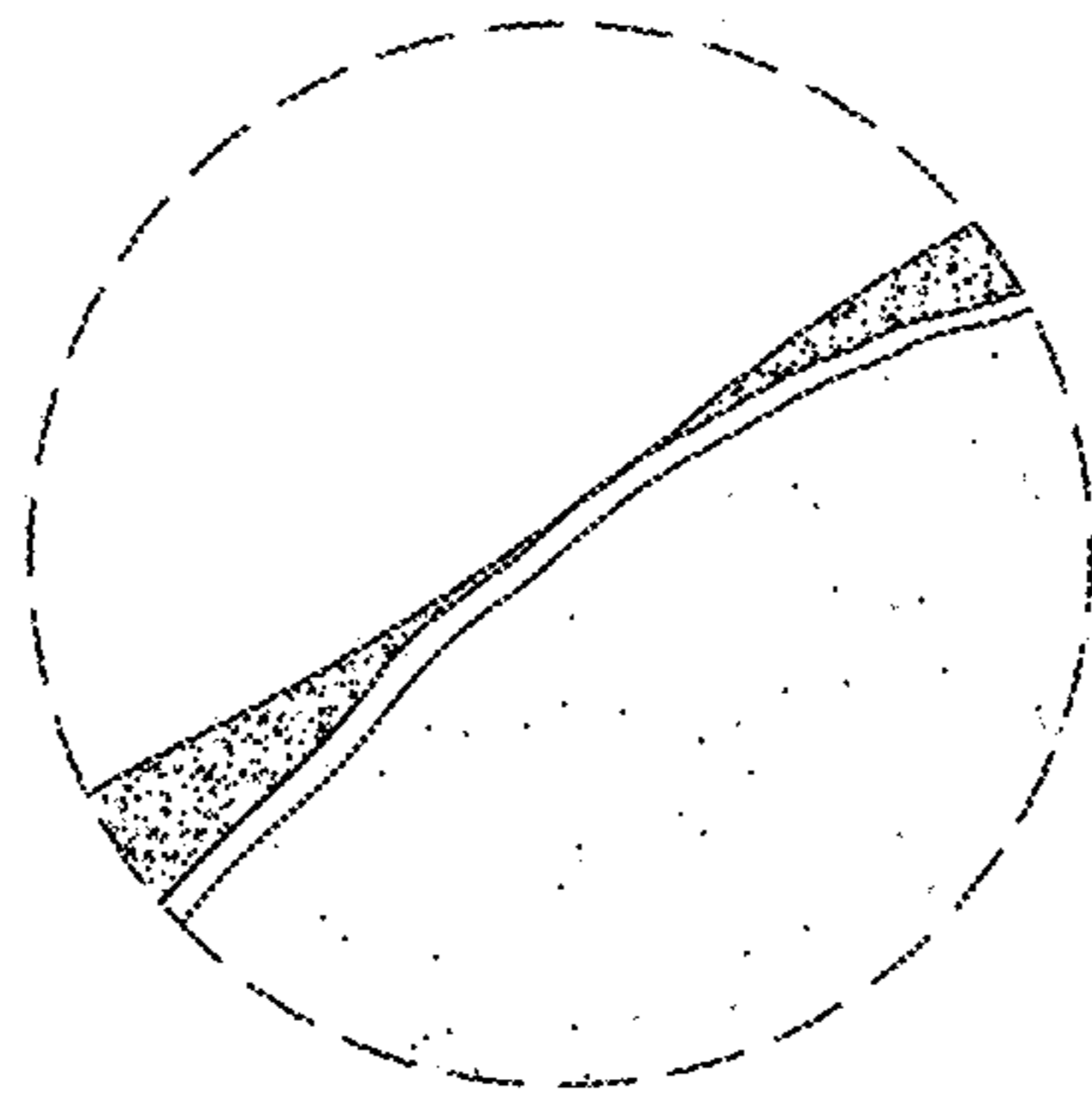


FIG. 8