



US00D877937S

(12) **United States Design Patent** (10) **Patent No.:** **US D877,937 S**  
**Allen et al.** (45) **Date of Patent:** **\*\* Mar. 10, 2020**

(54) **MASONRY BLOCK**

- (71) Applicant: **Cind-R-Lite Block Company**, North Las Vegas, NV (US)
- (72) Inventors: **Thomas H. Allen**, Las Vegas, NV (US); **Cory J. Climaldi**, North Las Vegas, NV (US)
- (73) Assignee: **Cind-R-Lite Block Company**, North Las Vegas, NV (US)
- (\*\*) Term: **15 Years**
- (21) Appl. No.: **29/656,085**
- (22) Filed: **Jul. 10, 2018**
- (51) **LOC (12) Cl.** ..... **25-01**
- (52) **U.S. Cl.**  
USPC ..... **D25/116**
- (58) **Field of Classification Search**  
USPC ..... D21/484-491, 499-502; D25/112-118, D25/164  
CPC ..... E04B 2/42; E04B 2/46; E04B 2/48; E04B 2/54  
See application file for complete search history.

(56) **References Cited**

**U.S. PATENT DOCUMENTS**

2,684,589	A *	7/1954	Perreton	.....	E04B 2/42 52/591.2
5,193,320	A *	3/1993	Coccagna	.....	E04B 2/10 52/442
D408,557	S *	4/1999	Behunin	.....	D25/114
D408,930	S *	4/1999	Behunin	.....	D25/114
D409,313	S *	5/1999	Behunin	.....	D25/114
D608,462	S *	1/2010	Hammer	.....	D25/113
D686,756	S *	7/2013	Nanayakkara	.....	D25/113
2012/0159889	A1 *	6/2012	Dyson	.....	E04B 2/46 52/503

**OTHER PUBLICATIONS**

Modern Deco Cind-R-Lite <https://www.cind-r-lite.com/products/architectural-block/moderndeco/> Sep. 2018 (Year: 2018).\*

\* cited by examiner

*Primary Examiner* — Leanne Was-Englehart  
(74) *Attorney, Agent, or Firm* — Howard & Howard Attorneys PLLC

(57) **CLAIM**

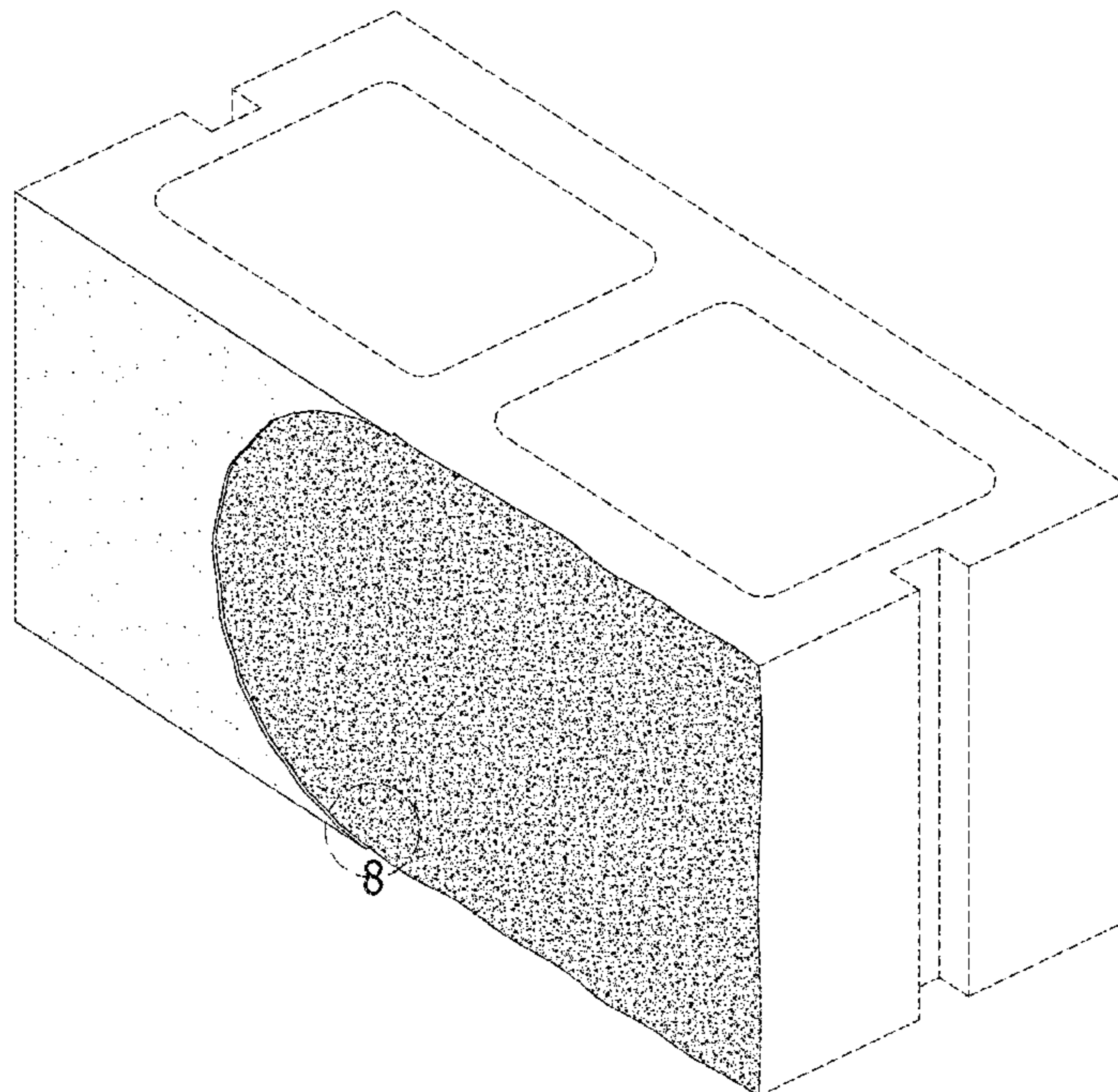
We claim the ornamental design for a masonry block, as shown and described.

**DESCRIPTION**

FIG. 1 is a perspective view of a masonry block;  
FIG. 2 is a front view of the masonry block, as shown in FIG. 1;  
FIG. 3 is a rear view of the masonry block, shown in FIG. 1;  
FIG. 4 is a first side view of the masonry block, shown in FIG. 1;  
FIG. 5 is a second side view of the masonry block, shown in FIG. 1;  
FIG. 6 is a top view of the masonry block, shown in FIG. 1;  
FIG. 7 is a bottom view of the masonry block, shown in FIG. 1; and,  
FIG. 8 is an enlarged view of the circular detail, shown in FIG. 1.

The dashed lines shown in the figures represent unclaimed portions of the masonry block and form no part of the claimed design. The broken line circle in FIGS. 1 and 8 depicts the limits of the enlarged view and forms no part of the claimed design.

**1 Claim, 8 Drawing Sheets**



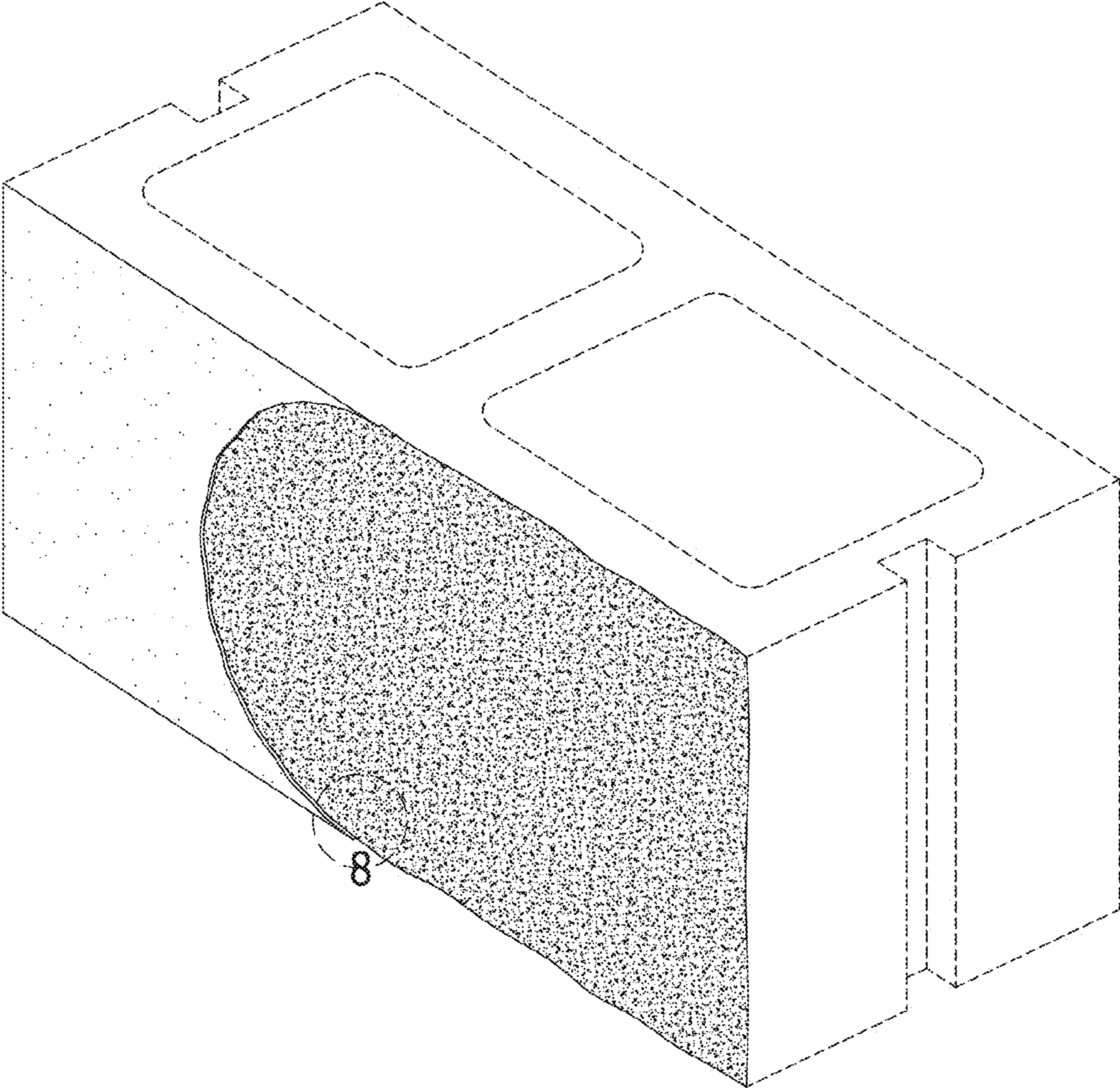


FIG. 1

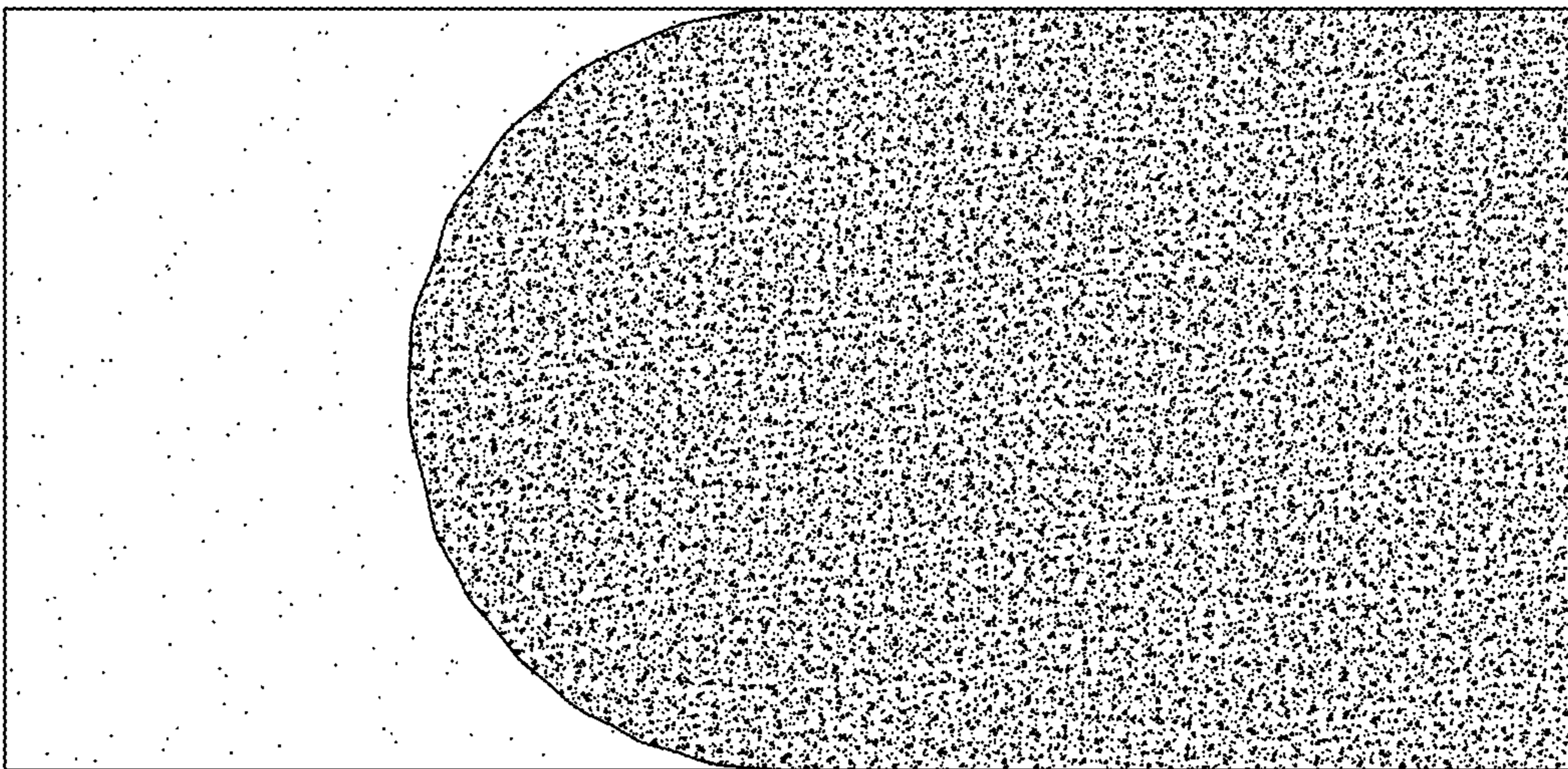


FIG. 2



**FIG. 3**

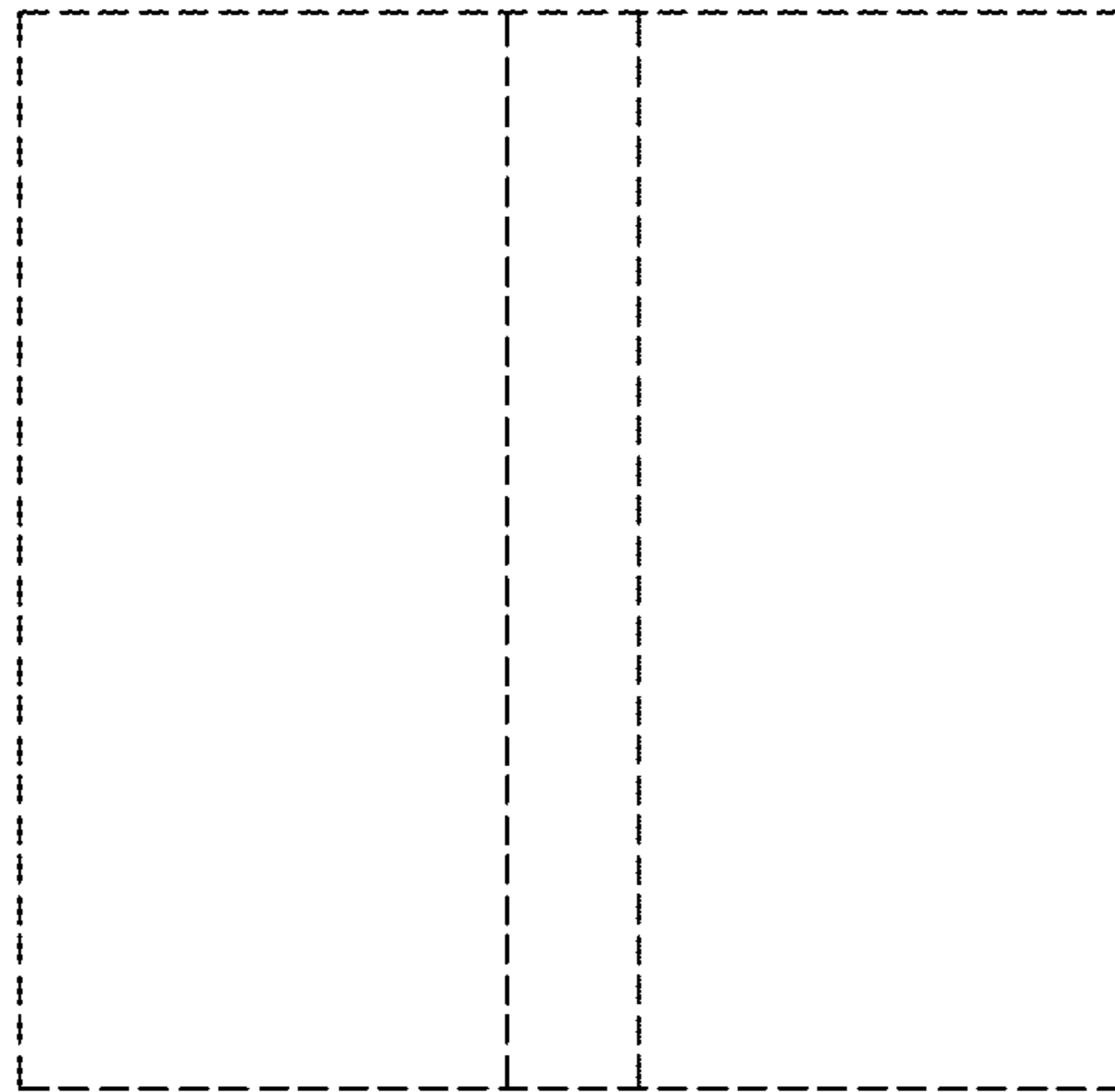


FIG. 4

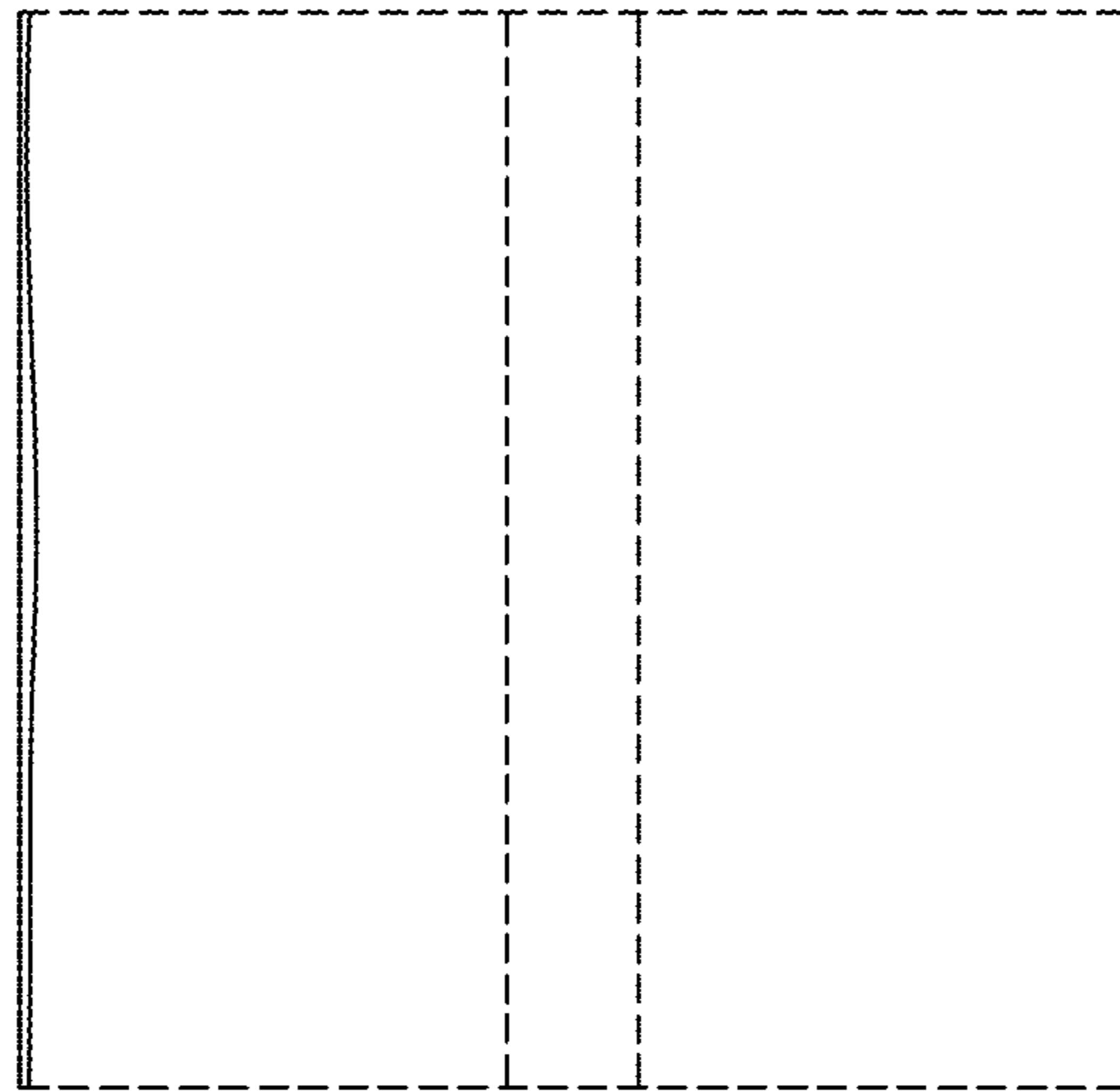


FIG. 5

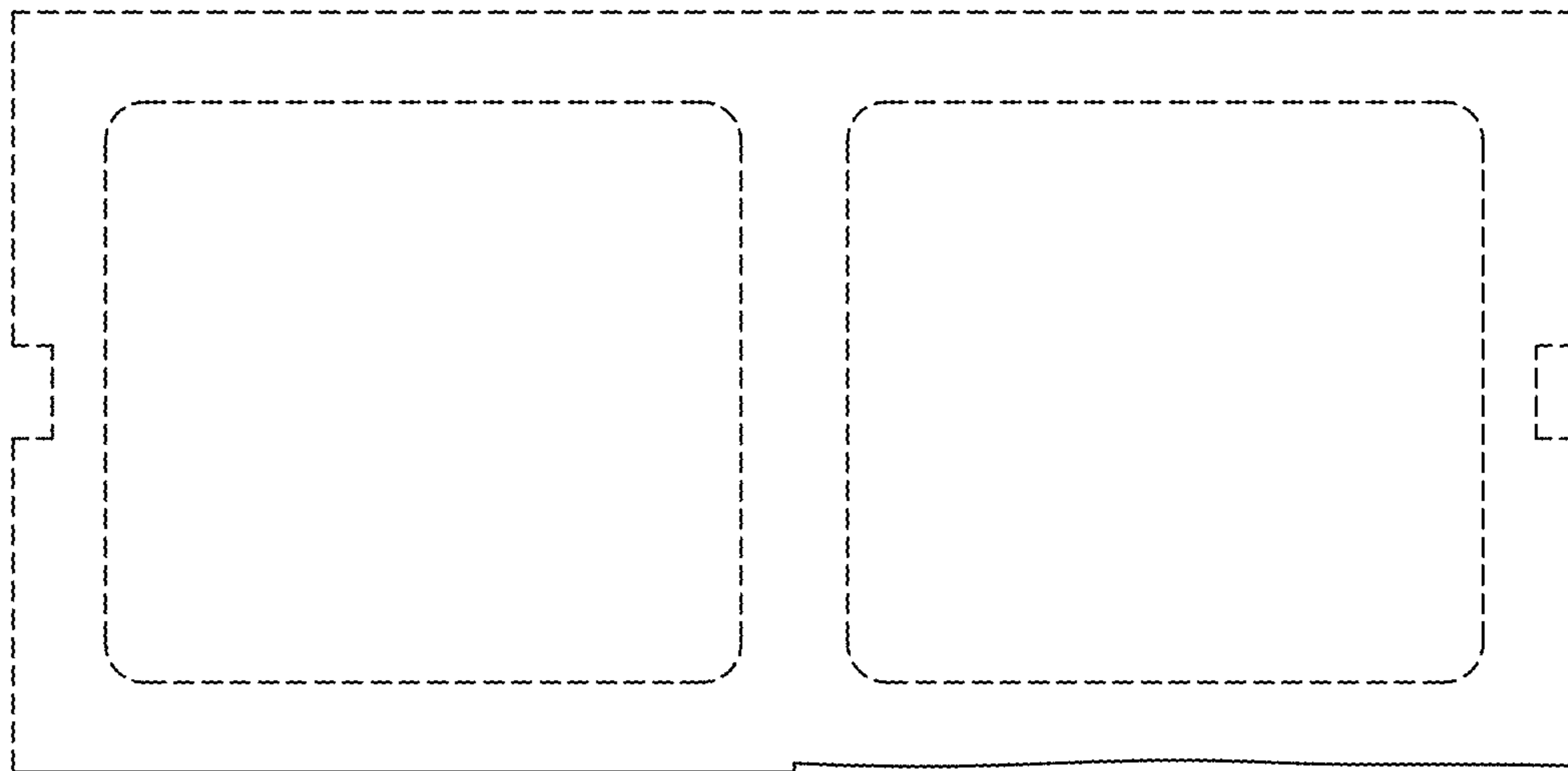


FIG. 6

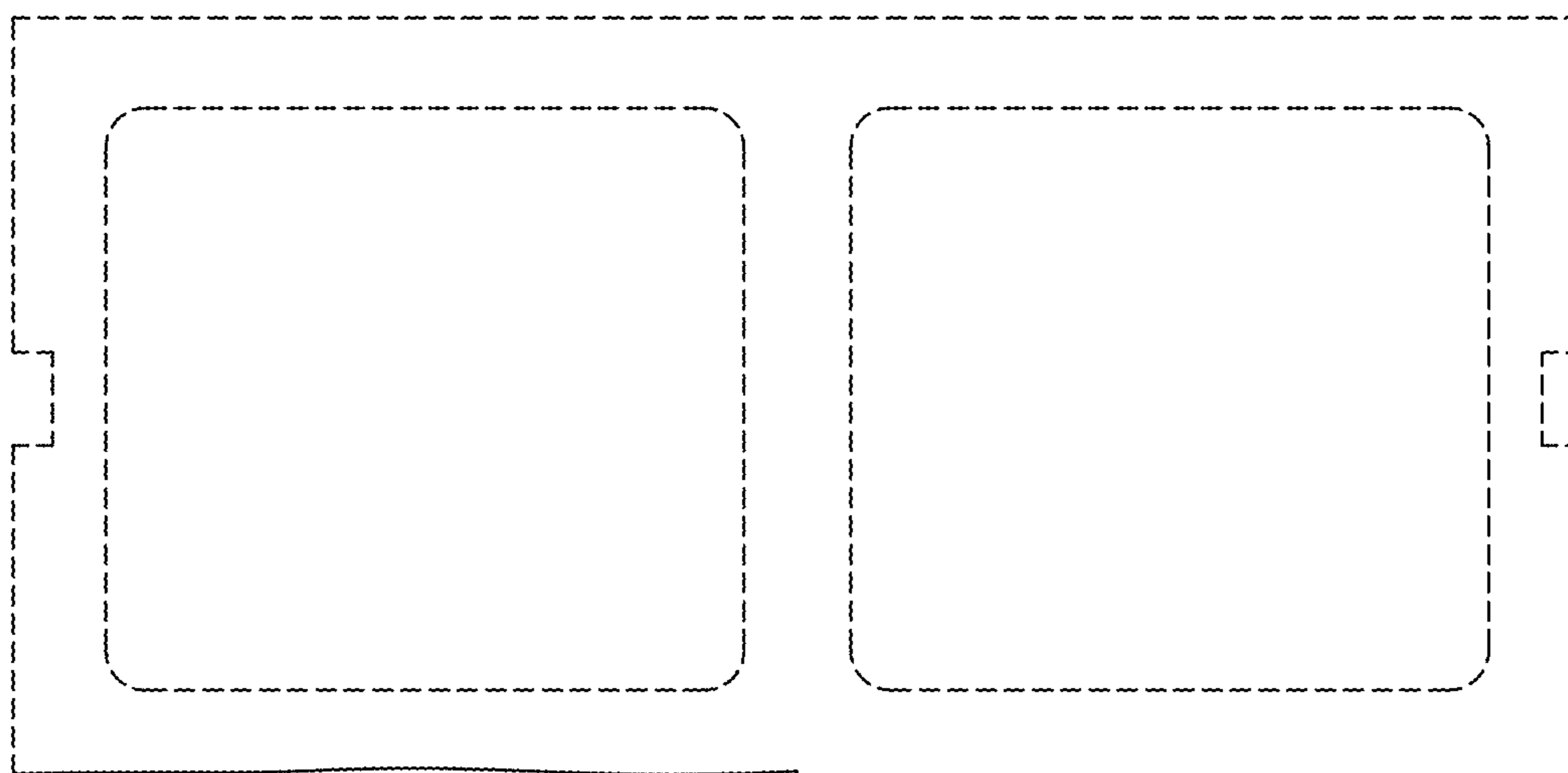


FIG. 7



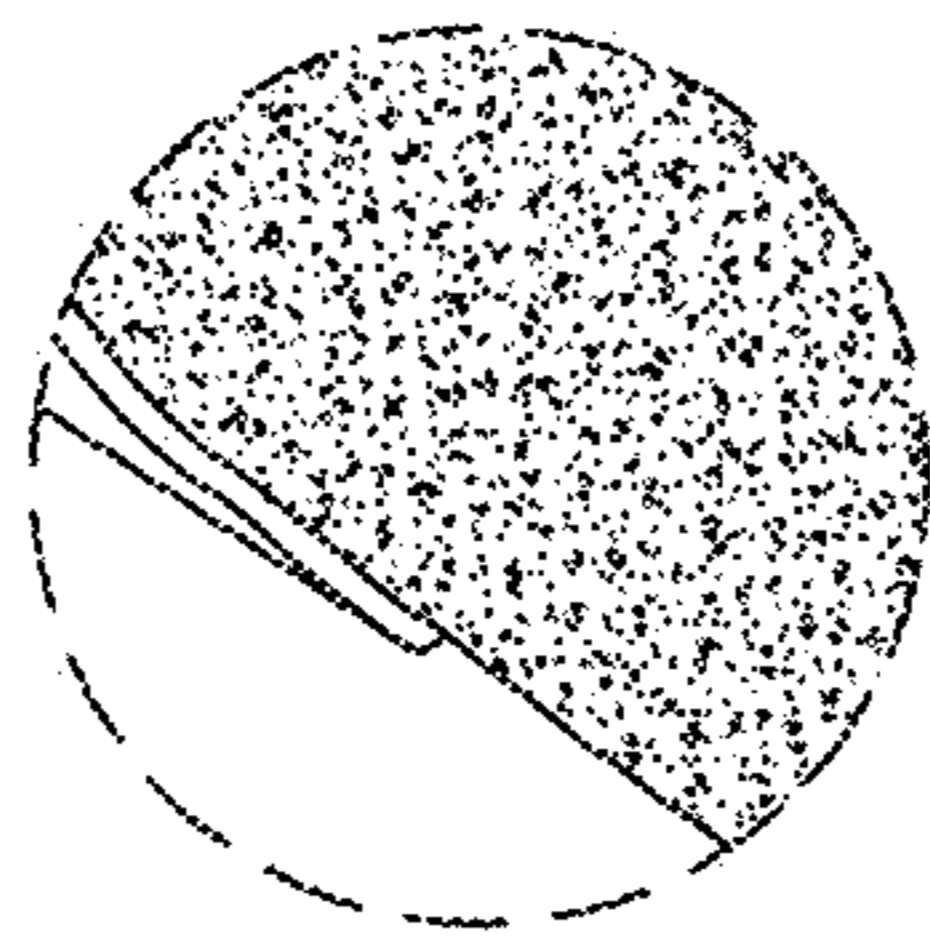


FIG. 8