



US00D877936S

(12) **United States Design Patent**
Lindberg et al.

(10) **Patent No.:** **US D877,936 S**
(45) **Date of Patent:** **** Mar. 10, 2020**

(54) **VENEER BLOCK**

(71) Applicant: **E.P. Henry Corporation**, Woodbury,
NJ (US)

(72) Inventors: **John J. Lindberg**, Pottstown, PA (US);
John E. Ravelli, Dorothy, NJ (US);
Eric Y. Long, Sewell, NJ (US)

(73) Assignee: **E.P. Henry Corporation**, Woodbury,
NJ (US)

(**) Term: **15 Years**

(21) Appl. No.: **29/578,994**

(22) Filed: **Sep. 27, 2016**

Related U.S. Application Data

(63) Continuation of application No. 29/502,826, filed on
Sep. 19, 2014, now Pat. No. Des. 768,876.

(51) **LOC (12) Cl.** **25-01**

(52) **U.S. Cl.**
USPC **D25/113**

(58) **Field of Classification Search**
USPC D25/113–118, 138, 152–162, 164, 199
(Continued)

(56) **References Cited**

U.S. PATENT DOCUMENTS

2,002,311 A 5/1935 David
2,238,787 A 4/1941 Aberson
(Continued)

FOREIGN PATENT DOCUMENTS

CA 147346 9/2013
JP 2002/097773 4/2002
WO WO 2012/059757 5/2012

OTHER PUBLICATIONS

Canadian Patent Application No. 161595: Examiner's Report dated
Jan. 26, 2016, 1 page.

Primary Examiner — Anhdao Doan

(74) *Attorney, Agent, or Firm* — BakerHostetler

(57) **CLAIM**

We claim the ornamental design for a veneer block, as
shown and described.

DESCRIPTION

FIG. 1 is a top, left, front perspective view of one embodi-
ment of a veneer block according to our design;

FIG. 2 is a top plan view of the veneer block illustrated in
FIG. 1;

FIG. 3 is a bottom plan view of the veneer block illustrated
in FIG. 1;

FIG. 4 is a left side elevation view of the veneer block
illustrated in FIG. 1;

FIG. 5 is a right side elevation view of the veneer block
illustrated in FIG. 1;

FIG. 6 is a rear elevation view of the veneer block illustrat-
ed in FIG. 1;

FIG. 7 is a front elevation view of the veneer block illus-
trated in FIG. 1;

FIG. 8 is a top, left, front perspective view of another
embodiment of the veneer block illustrated in FIG. 1;

FIG. 9 is a top plan view of the veneer block illustrated in
FIG. 8;

FIG. 10 is a bottom plan view of the veneer block illustrat-
ed in FIG. 8;

FIG. 11 is a left side elevation view of the veneer block
illustrated in FIG. 8;

FIG. 12 is a right side elevation view of the veneer block
illustrated in FIG. 8;

FIG. 13 is a rear elevation view of the veneer block
illustrated in FIGS. 8; and

FIG. 14 is a front elevation view of the veneer block
illustrated in FIG. 8.

FIG. 15 is a top, left, front perspective view of another
embodiment of the veneer block illustrated in FIG. 1;

FIG. 16 is a top plan view of the veneer block illustrated in
FIG. 15;

FIG. 17 is a bottom plan view of the veneer block illustrat-
ed in FIG. 15;

(Continued)

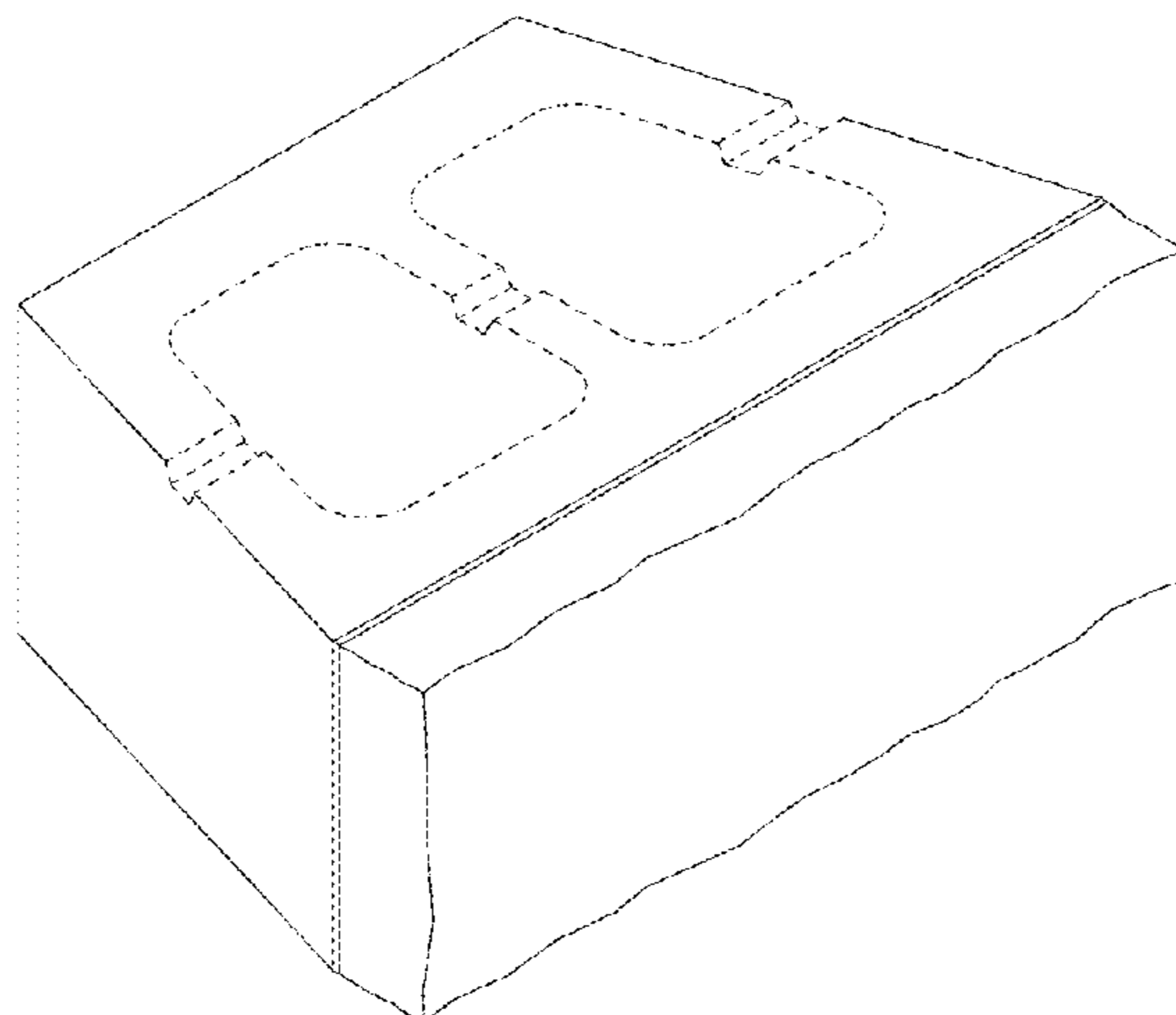


FIG. 18 is a left side elevation view of the veneer block illustrated in FIG. 15;
 FIG. 19 is a right side elevation view of the veneer block illustrated in FIG. 15;
 FIG. 20 is a rear elevation view of the veneer block illustrated in FIG. 15;
 FIG. 21 is a front elevation view of the veneer block illustrated in FIG. 15;
 FIG. 22 is a top, left, front perspective view of another embodiment of the veneer block illustrated in FIG. 1;
 FIG. 23 is a top plan view of the veneer block illustrated in FIG. 22;
 FIG. 24 is a bottom plan view of the veneer block illustrated in FIG. 22;
 FIG. 25 is a left side elevation view of the veneer block illustrated in FIG. 22;
 FIG. 26 is a right side elevation view of the veneer block illustrated in FIG. 22;
 FIG. 27 is a rear elevation view of the veneer block illustrated in FIG. 22;
 FIG. 28 is a front elevation view of the veneer block illustrated in FIG. 22;
 FIG. 29 is a top, left, front perspective view of another embodiment of the veneer block illustrated in FIG. 1;
 FIG. 30 is a top plan view of the veneer block illustrated in FIG. 29;
 FIG. 31 is a bottom plan view of the veneer block illustrated in FIG. 29;
 FIG. 32 is a left side elevation view of the veneer block illustrated in FIG. 29;
 FIG. 33 is a right side elevation view of the veneer block illustrated in FIG. 29;
 FIG. 34 is a rear elevation view of the veneer block illustrated in FIG. 29;
 FIG. 35 is a front elevation view of the veneer block illustrated in FIG. 29;
 FIG. 36 is a top, left, front perspective view of another embodiment of the veneer block illustrated in FIG. 1;
 FIG. 37 is a top plan view of the veneer block illustrated in FIG. 36;
 FIG. 38 is a bottom plan view of the veneer block illustrated in FIG. 36;
 FIG. 39 is a left side elevation view of the veneer block illustrated in FIG. 36;
 FIG. 40 is a right side elevation view of the veneer block illustrated in FIG. 36;
 FIG. 41 is a rear elevation view of the veneer block illustrated in FIG. 36;
 FIG. 42 is a front elevation view of the veneer block illustrated in FIG. 36;
 FIG. 43 is a top, left, front perspective view of another embodiment of the veneer block illustrated in FIG. 1;
 FIG. 44 is a top plan view of the veneer block illustrated in FIG. 43;
 FIG. 45 is a bottom plan view of the veneer block illustrated in FIG. 43;

FIG. 46 is a left side elevation view of the veneer block illustrated in FIG. 43;
 FIG. 47 is a right side elevation view of the veneer block illustrated in FIG. 43;
 FIG. 48 is a rear elevation view of the veneer block illustrated in FIG. 43; and,
 FIG. 49 is a front elevation view of the veneer block illustrated in FIG. 43.
 It is understood that the claim is to the edges of the veneer block shown in solid lines in the drawings. The broken line portion of the drawings is included to show unclaimed subject matter only for the purpose of illustrating environment and forms no part of the claimed design.

1 Claim, 14 Drawing Sheets

(58) **Field of Classification Search**
 CPC ... E04C 1/00; E04C 1/395; E04B 1/02; E04B 2002/026; E04B 2002/0269
 See application file for complete search history.

(56) **References Cited**

U.S. PATENT DOCUMENTS

2,482,556	A	9/1949	Petras	
3,290,849	A	12/1966	Wright	
4,590,726	A	5/1986	Salazar	
5,465,544	A	11/1995	Ghahary	
6,000,183	A	12/1999	Newman	
6,062,772	A	5/2000	Perkins	
D466,619	S	12/2002	Britton	
D468,449	S	1/2003	Britton	
D493,545	S	* 7/2004	Lancia D25/138
D530,831	S	10/2006	Mugge et al.	
D584,423	S	1/2009	Mugge et al.	
7,490,444	B2	2/2009	Nowack	
7,637,737	B2	12/2009	Furner et al.	
D611,164	S	3/2010	Mugge et al.	
D639,455	S	6/2011	Mugge et al.	
7,976,963	B2	7/2011	Olson, III et al.	
D644,744	S	9/2011	Meadows	
D644,745	S	9/2011	Meadows	
D644,746	S	9/2011	Meadows	
D644,747	S	9/2011	Meadows	
D644,748	S	9/2011	Meadows	
D644,749	S	9/2011	Meadows	
D645,165	S	9/2011	Wolter et al.	
D646,402	S	10/2011	Mugge	
D674,512	S	1/2013	Manthei	
D679,029	S	3/2013	Mugge et al.	
D685,923	S	7/2013	Mugge et al.	
D690,837	S	10/2013	Mugge et al.	
D696,425	S	12/2013	Mugge et al.	
D698,942	S	2/2014	Mugge et al.	
D699,866	S	2/2014	Mugge et al.	
D703,346	S	4/2014	Johnson et al.	
2011/0203211	A1	8/2011	Metten	

* cited by examiner

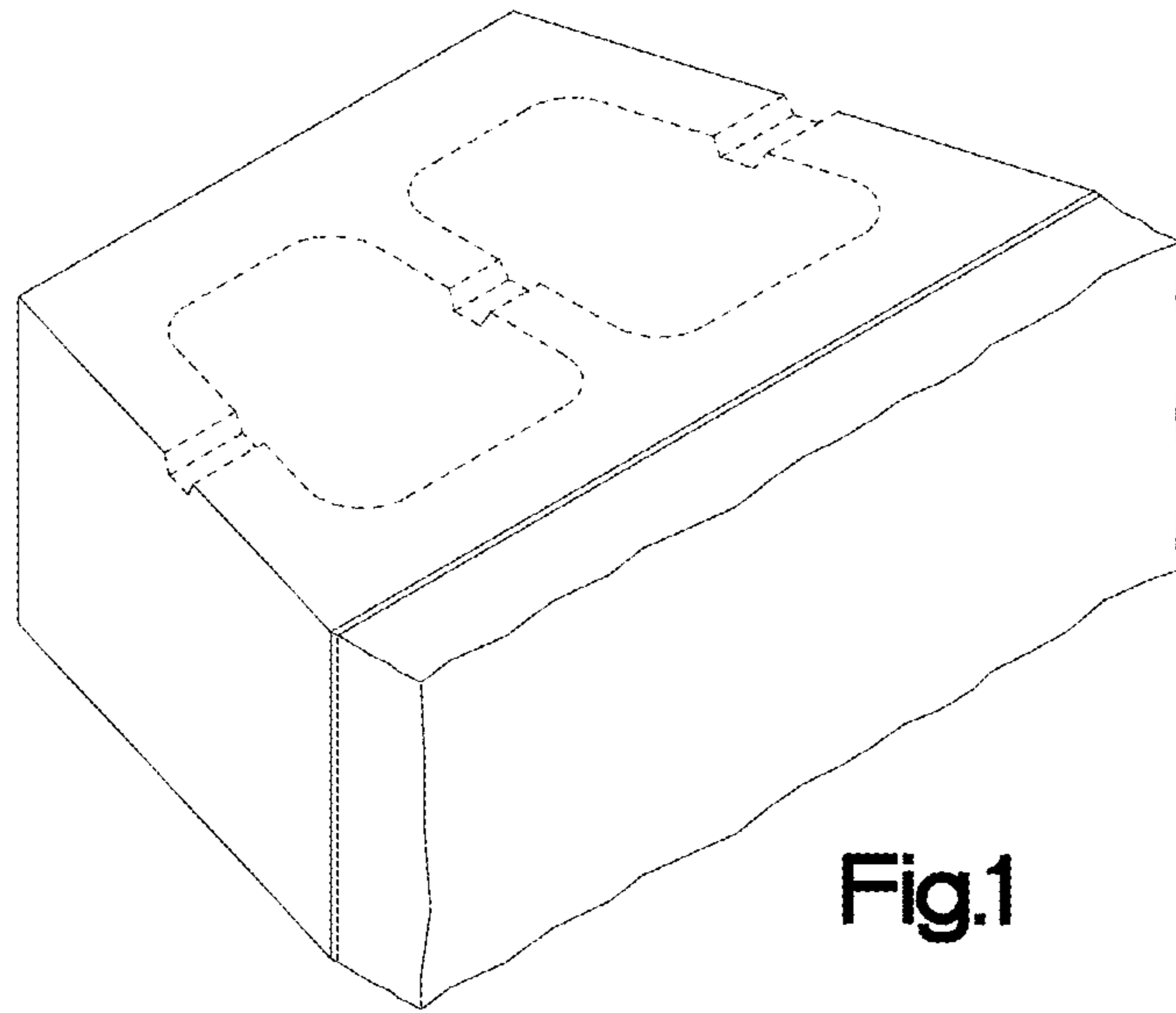


Fig.1

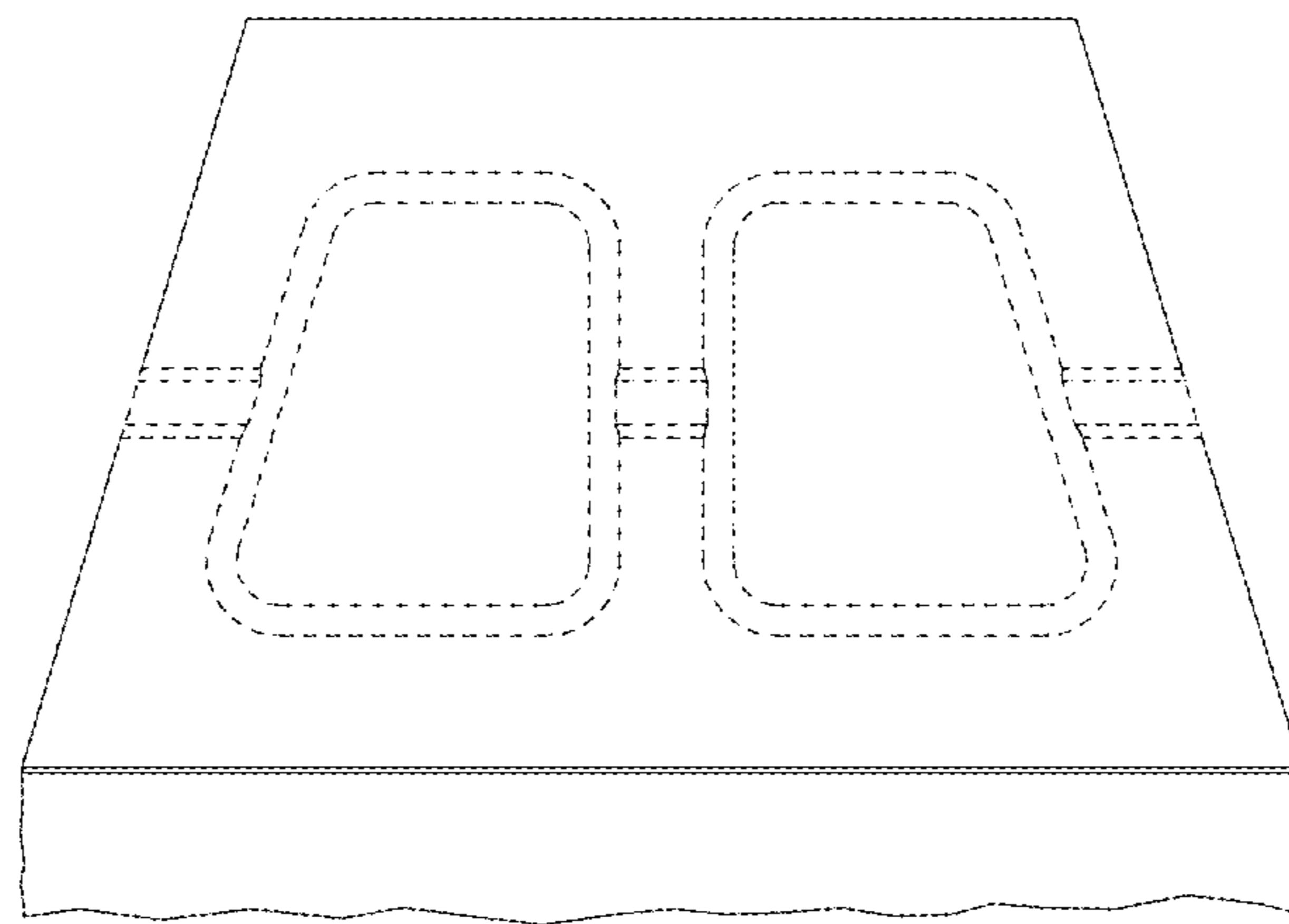


Fig.2

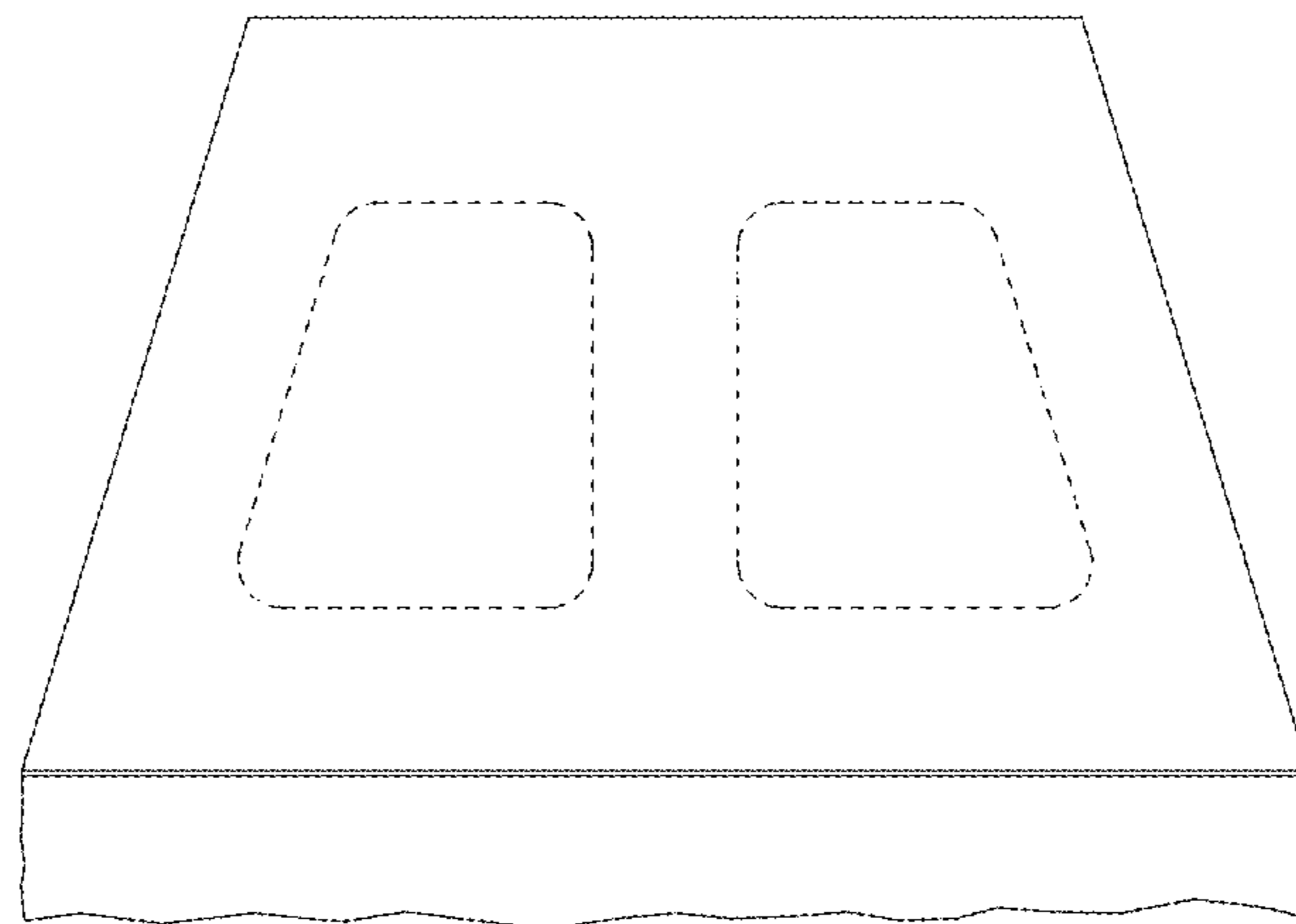


Fig.3

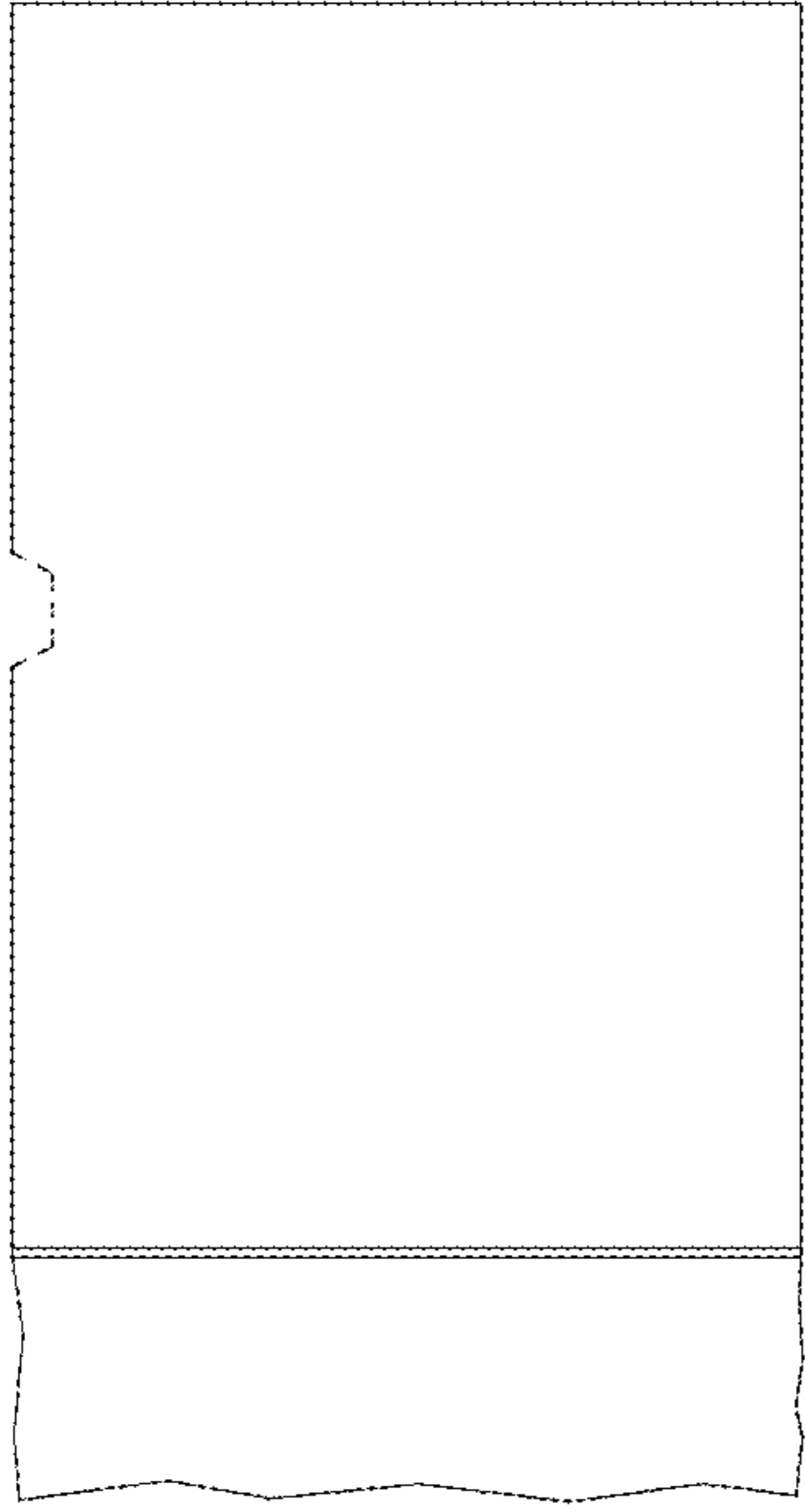


Fig.5

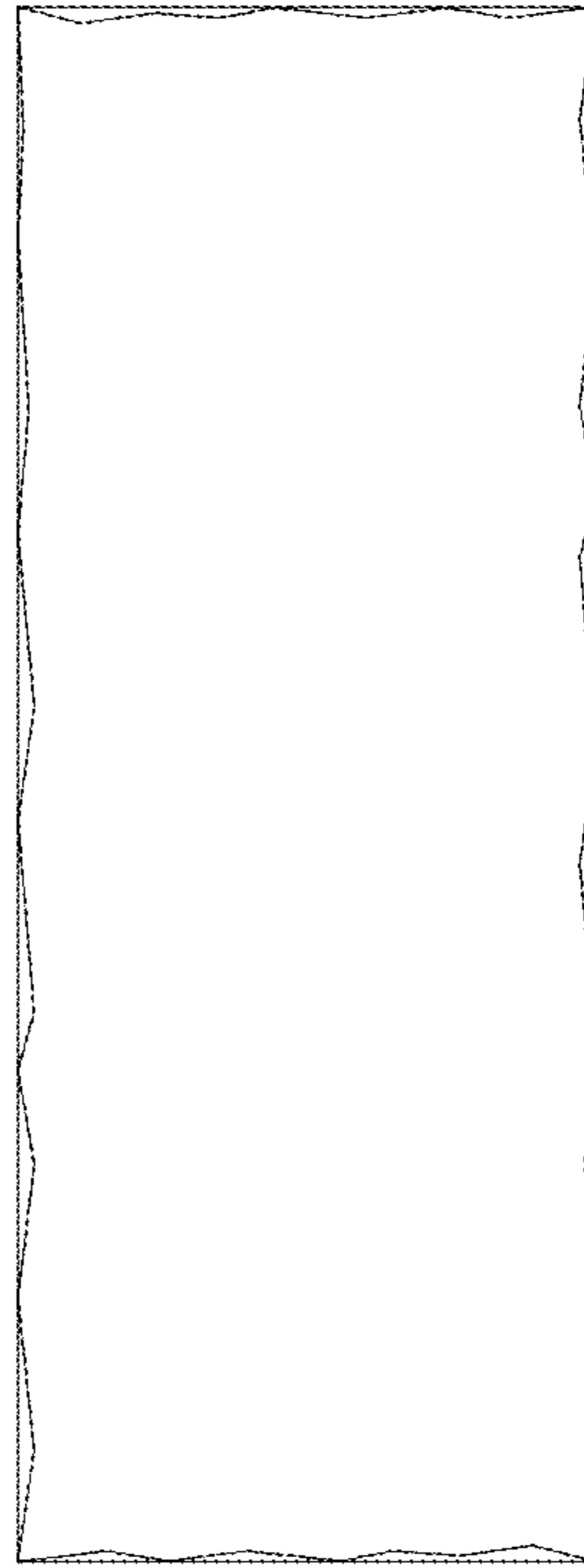


Fig.7

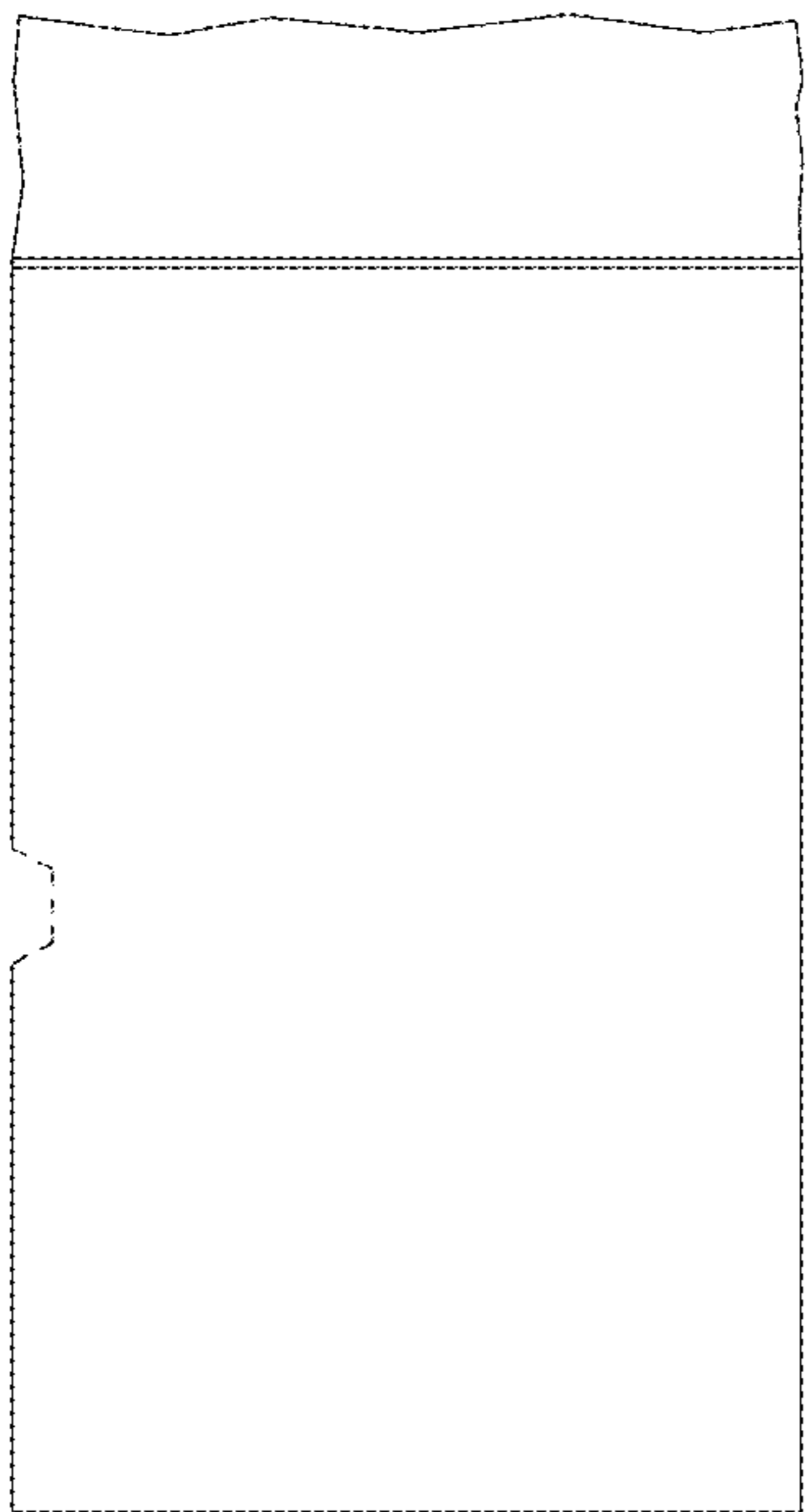


Fig.4

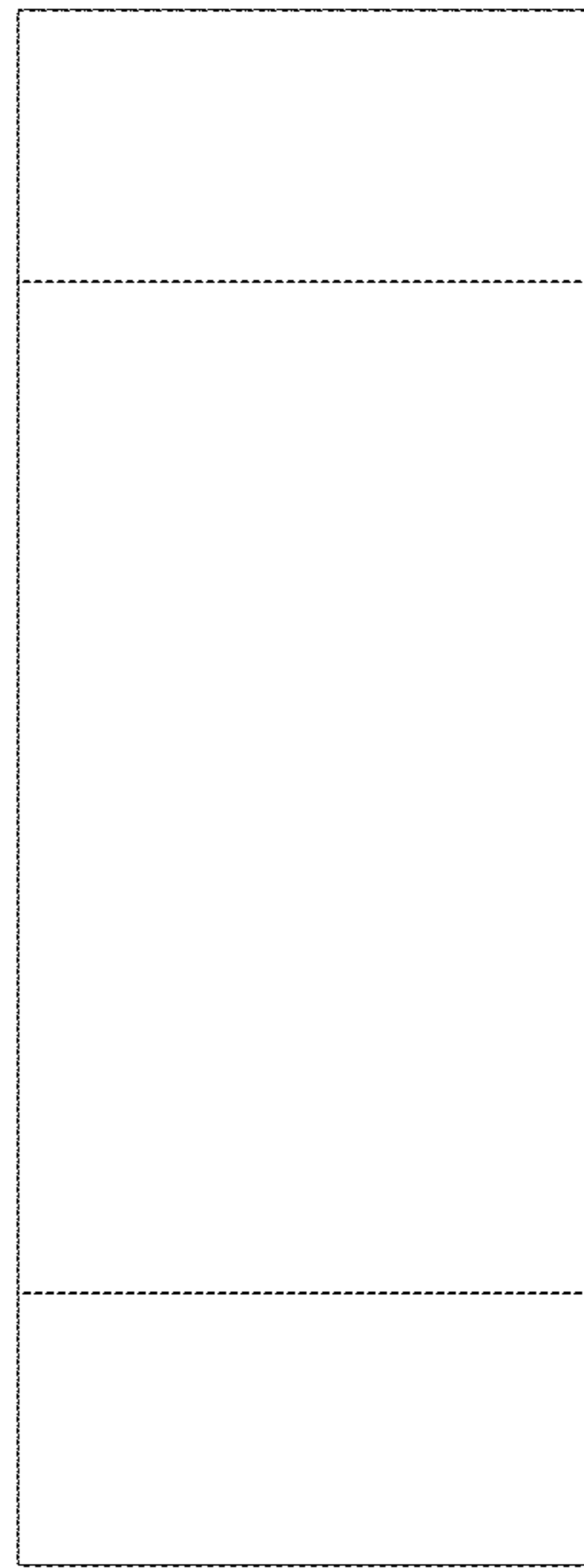


Fig.6

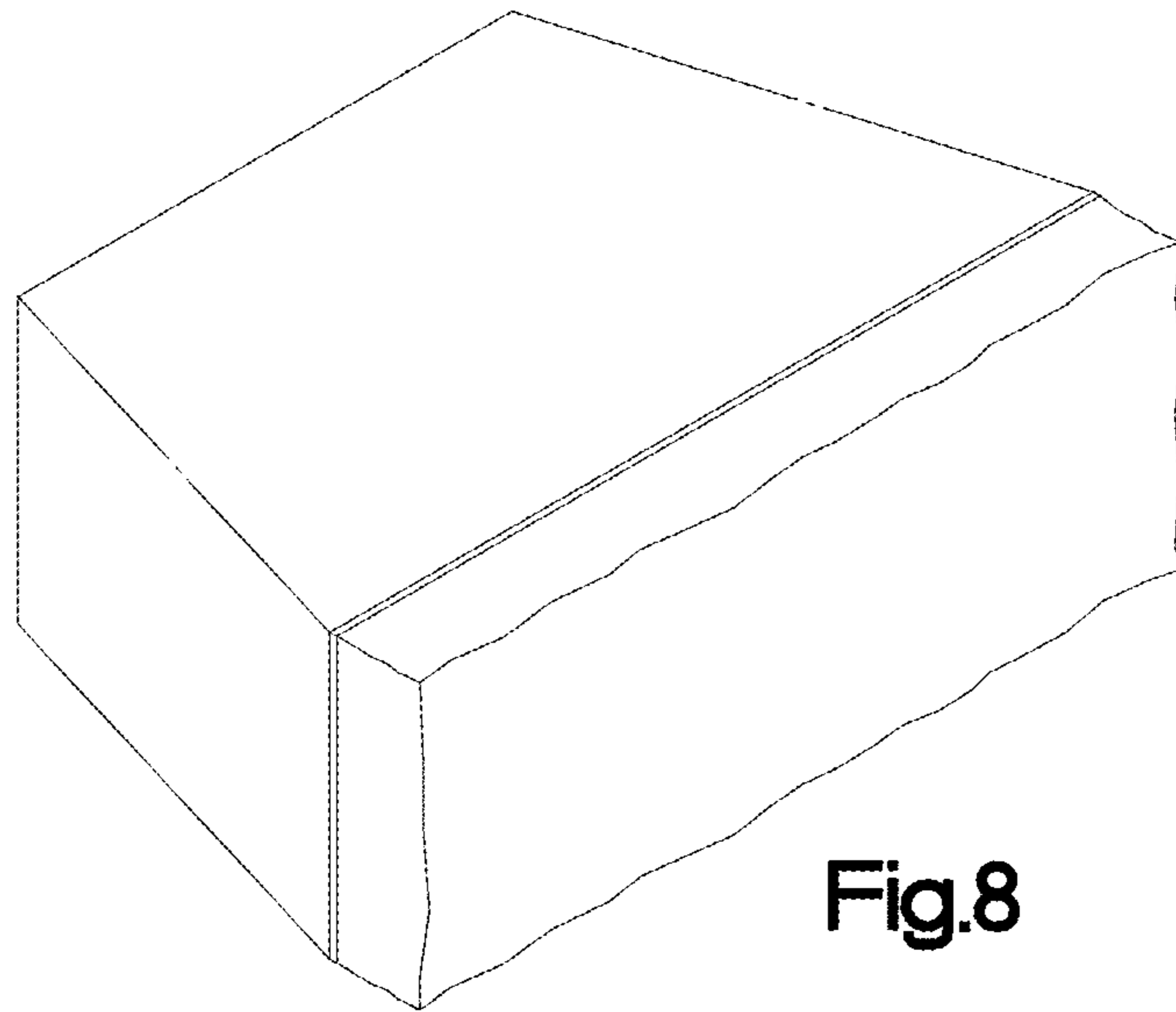


Fig.8

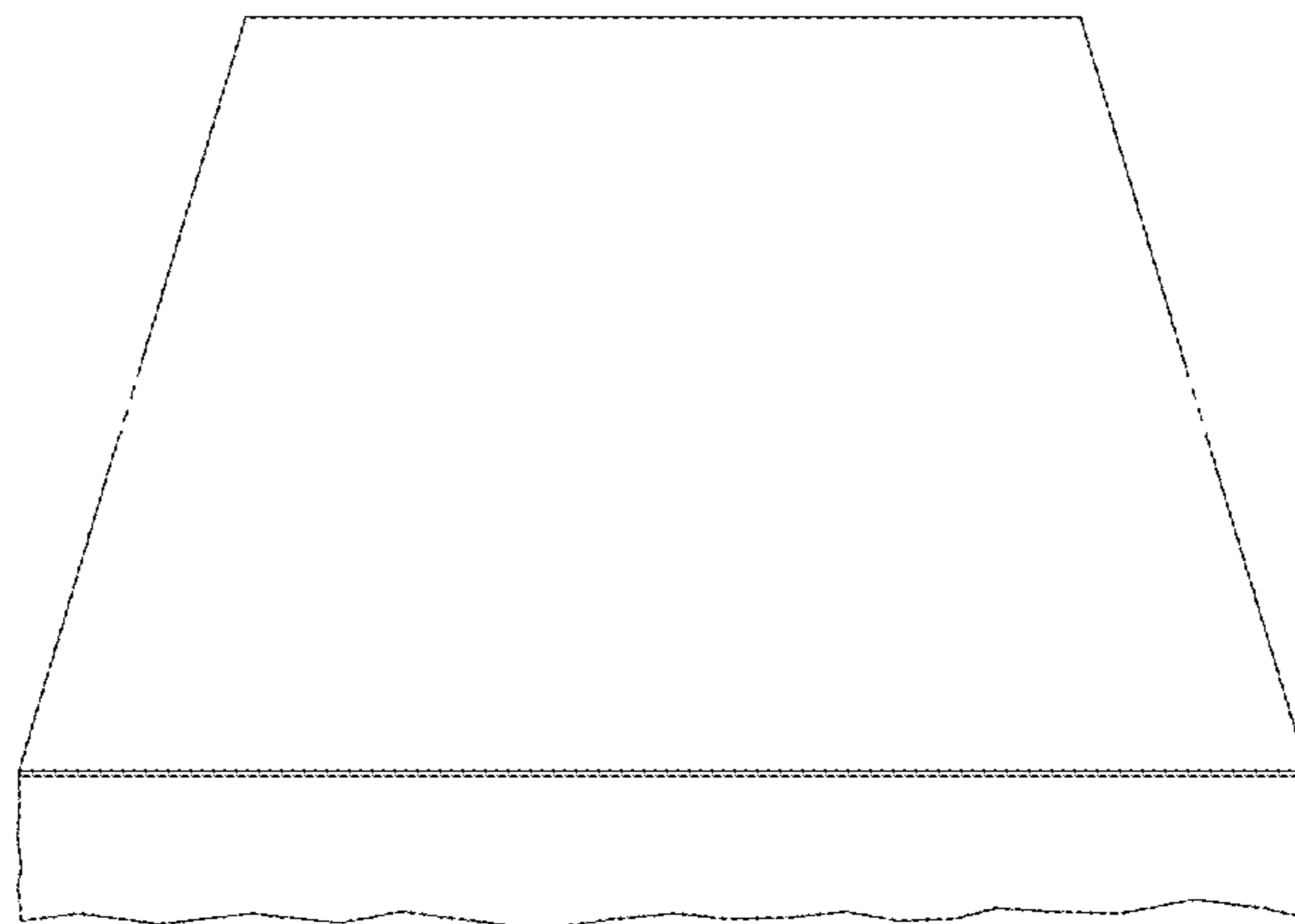


Fig.9

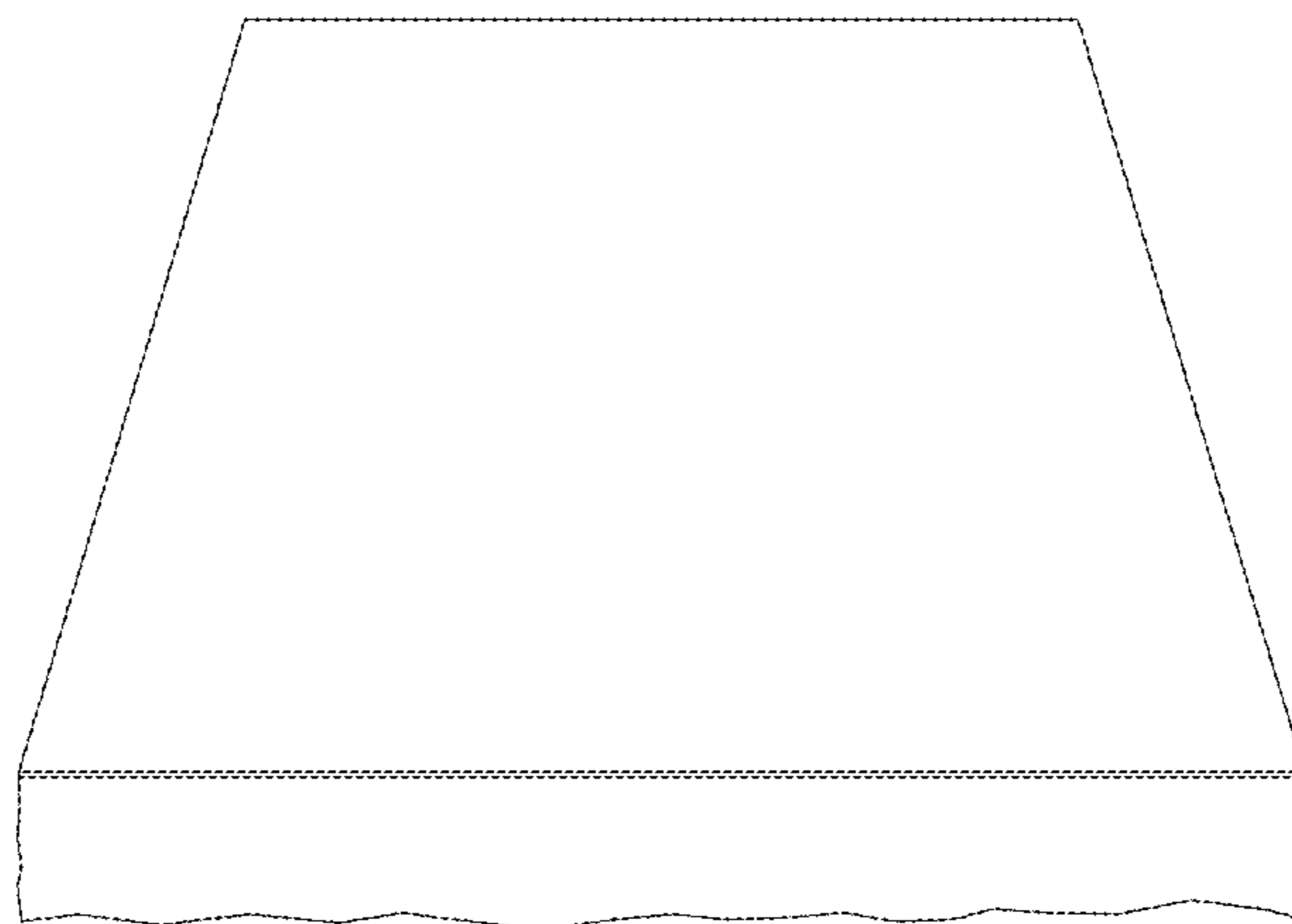


Fig.10

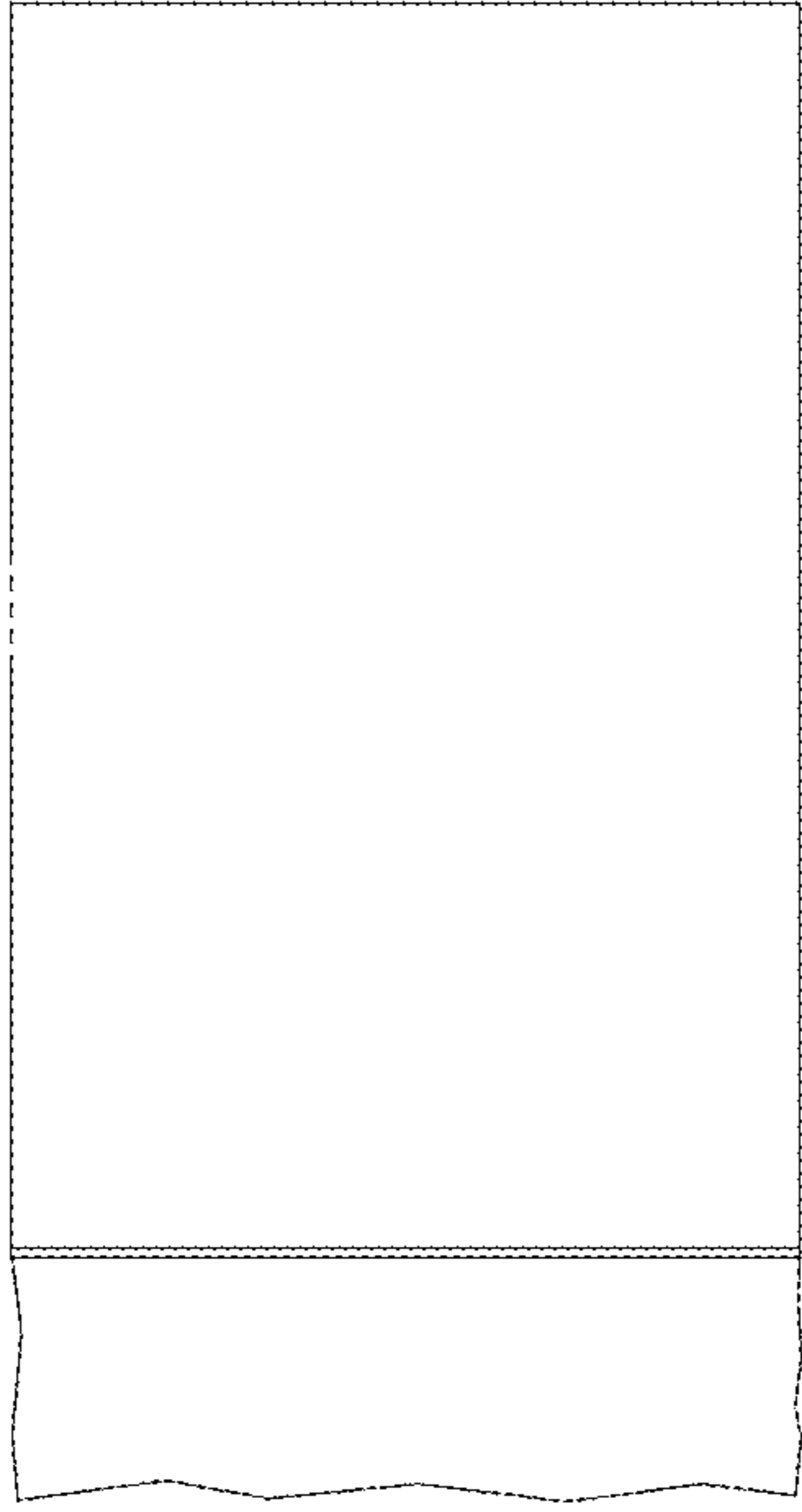


Fig.11

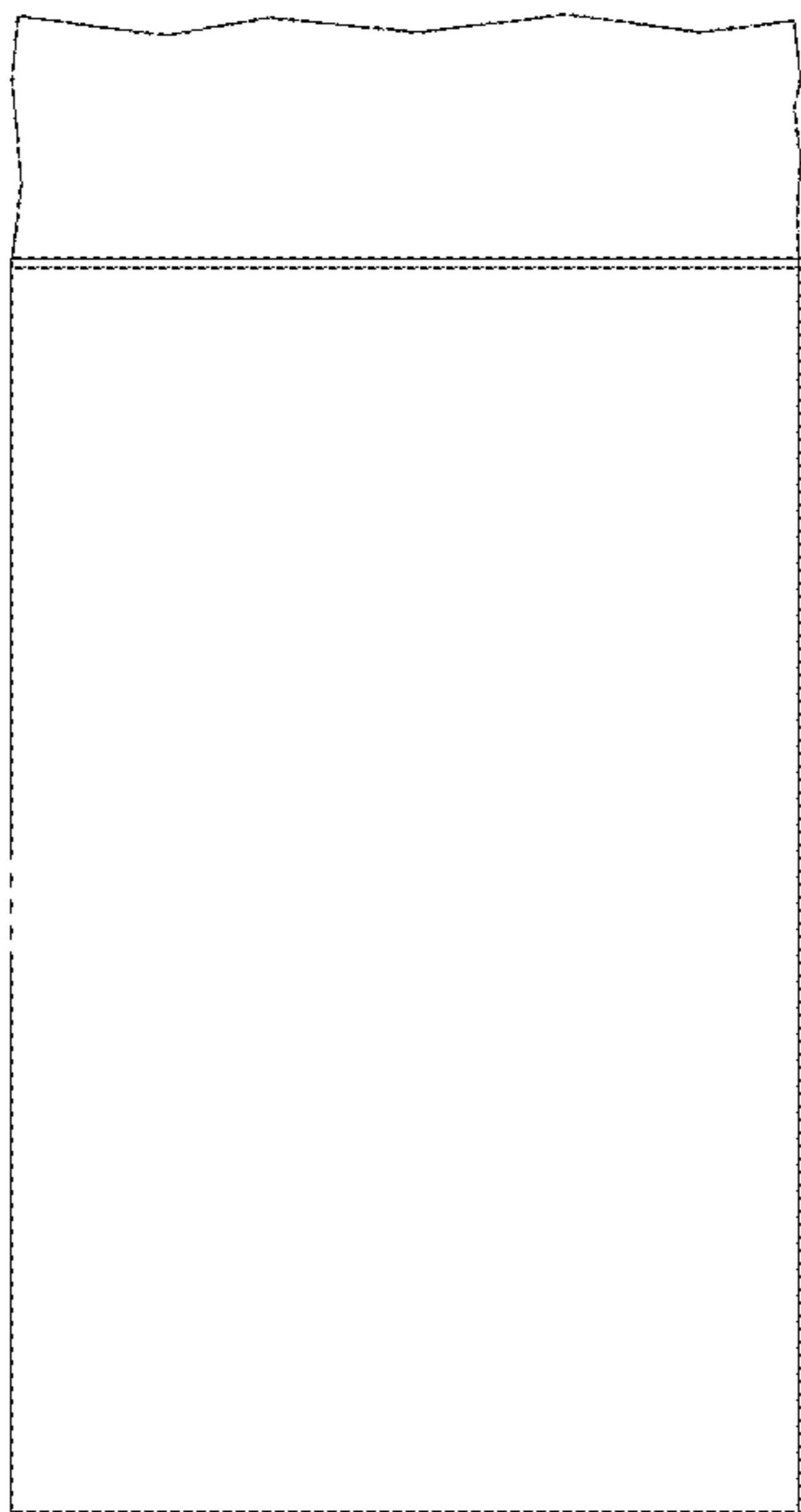


Fig.12



Fig.13

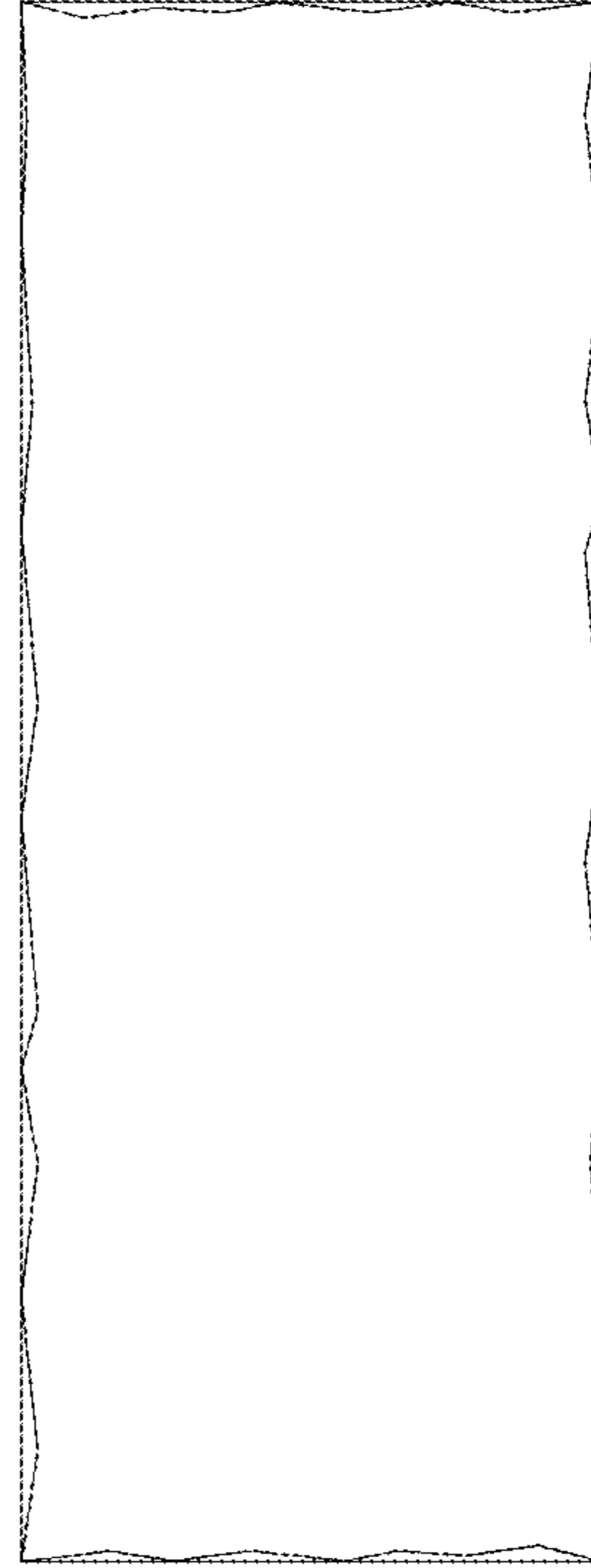
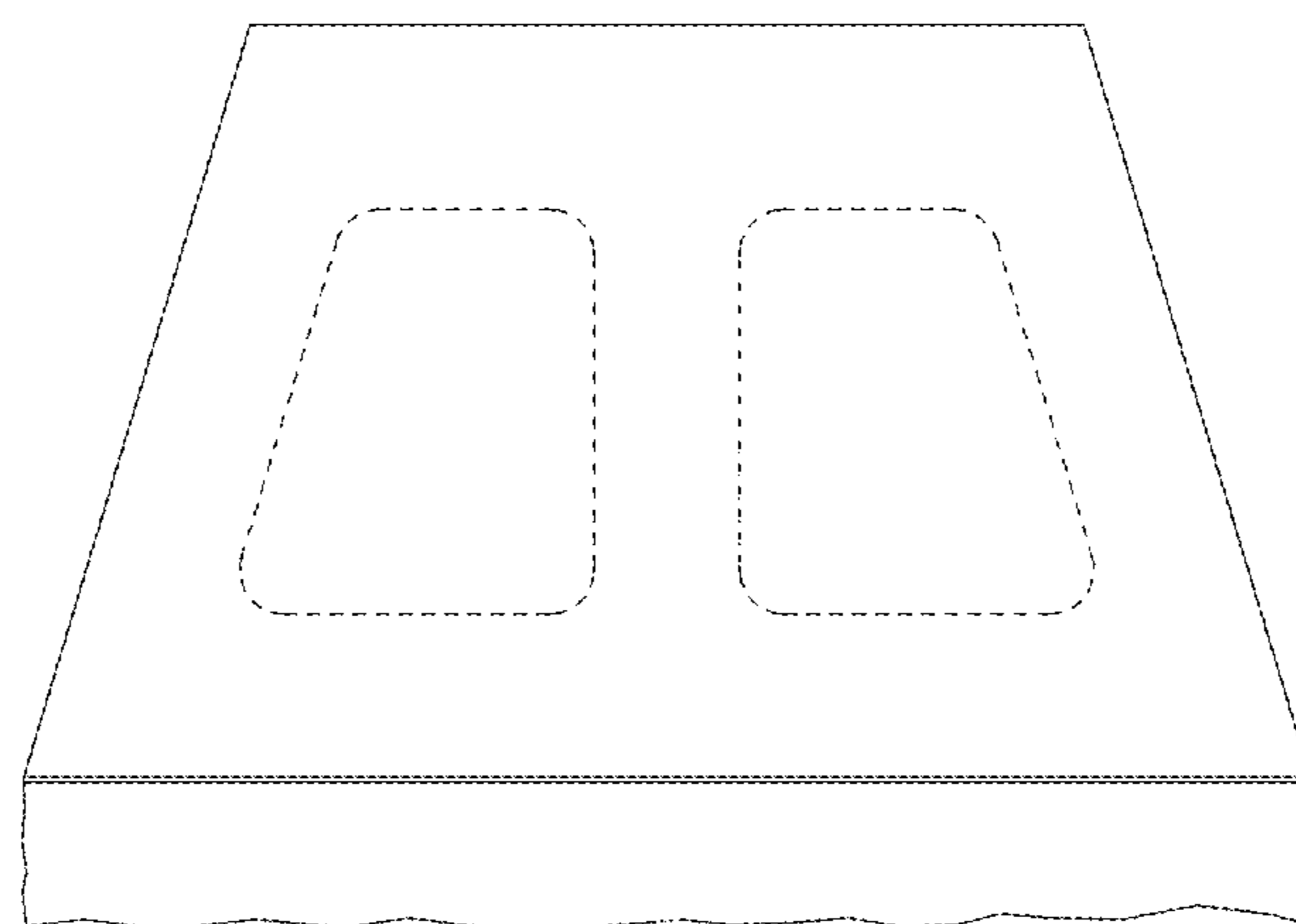
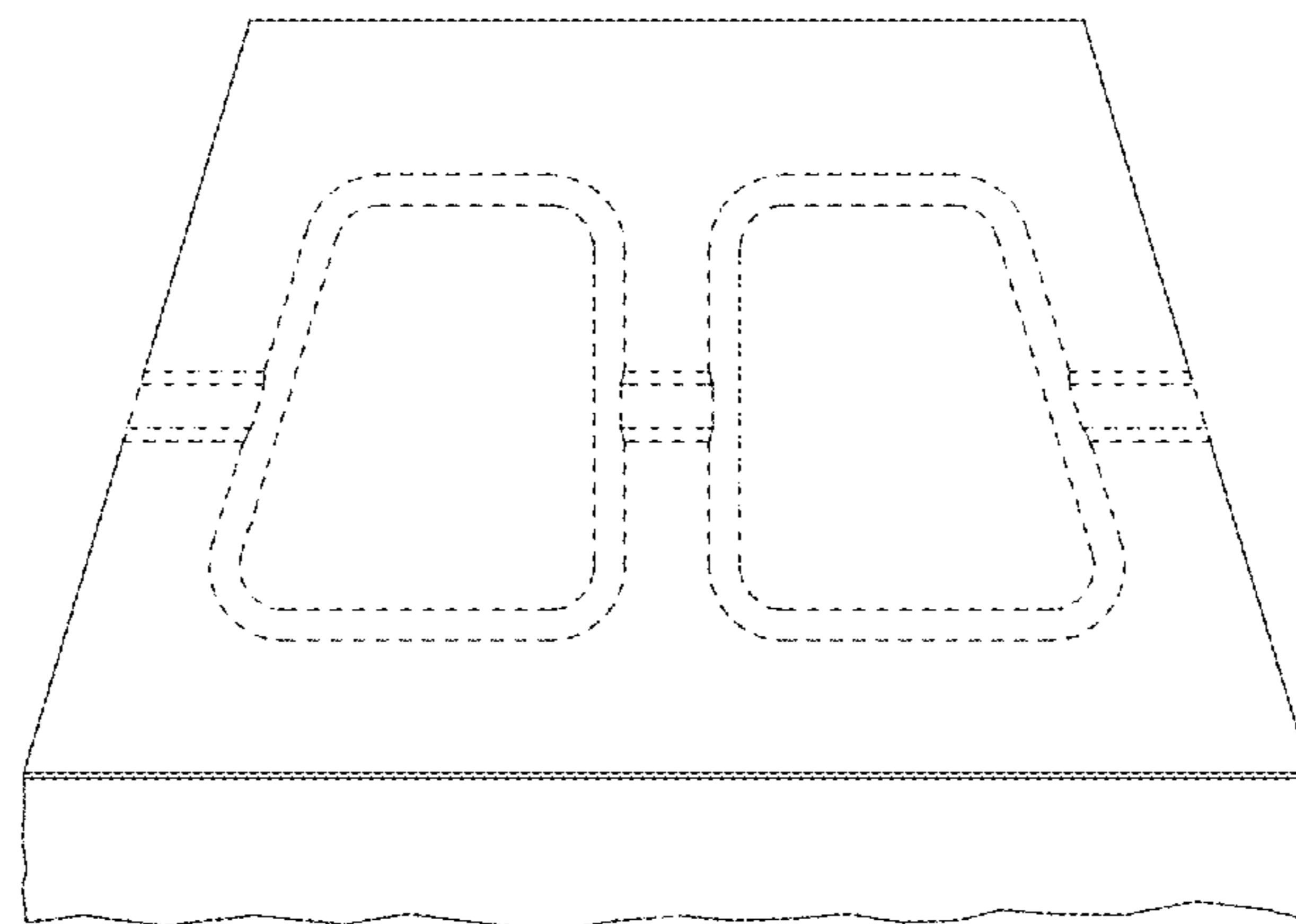
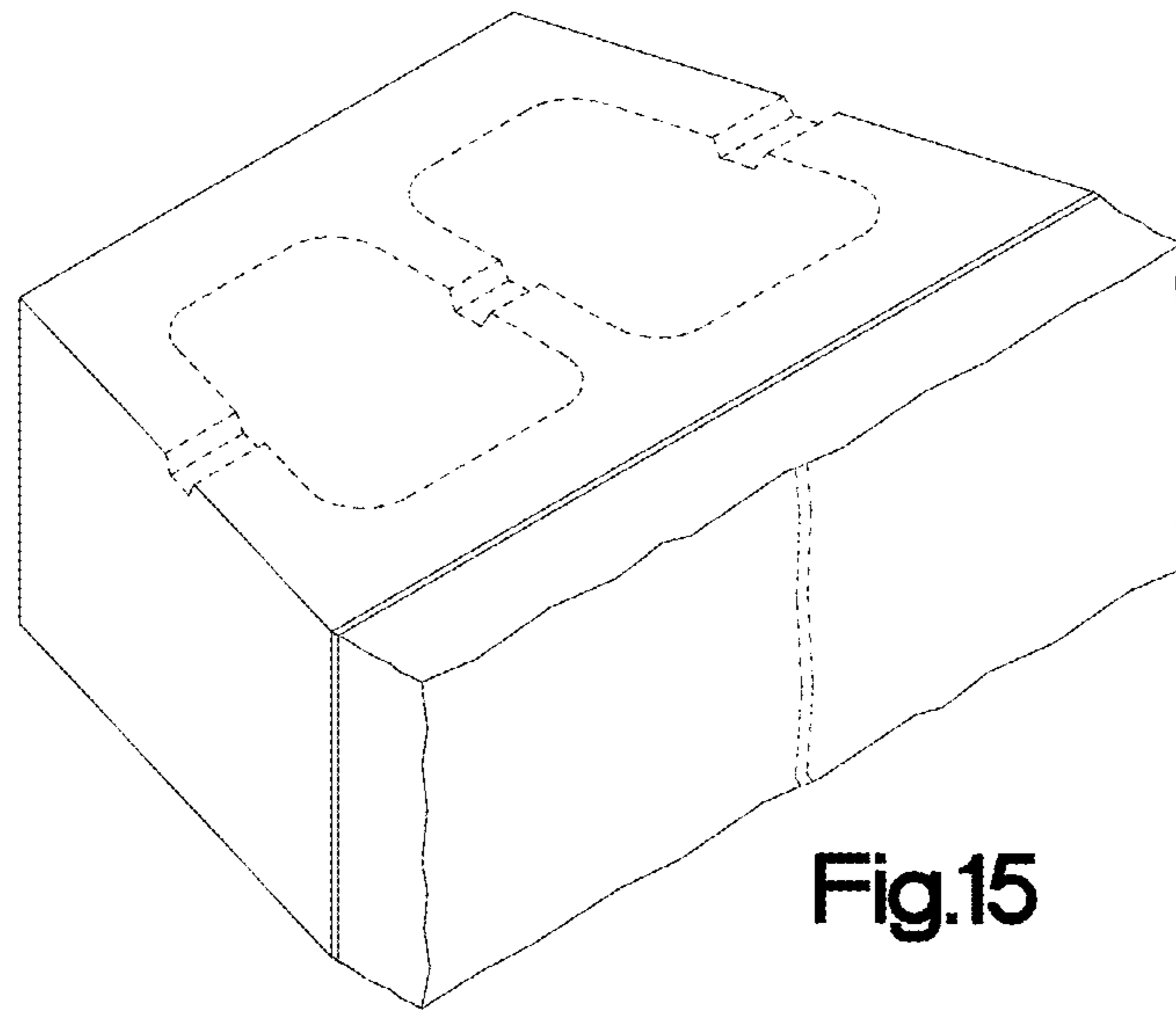


Fig.14



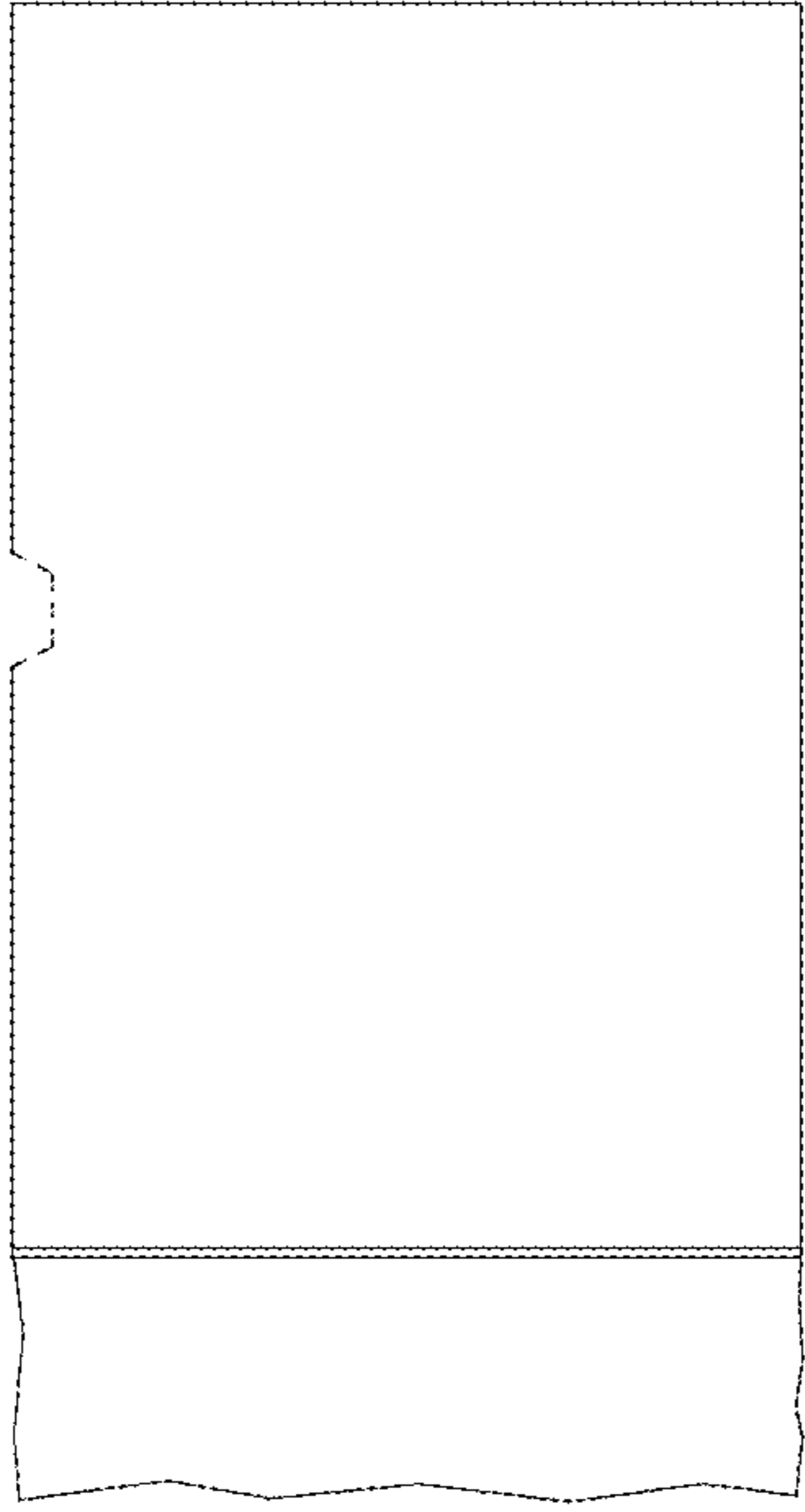


Fig.19

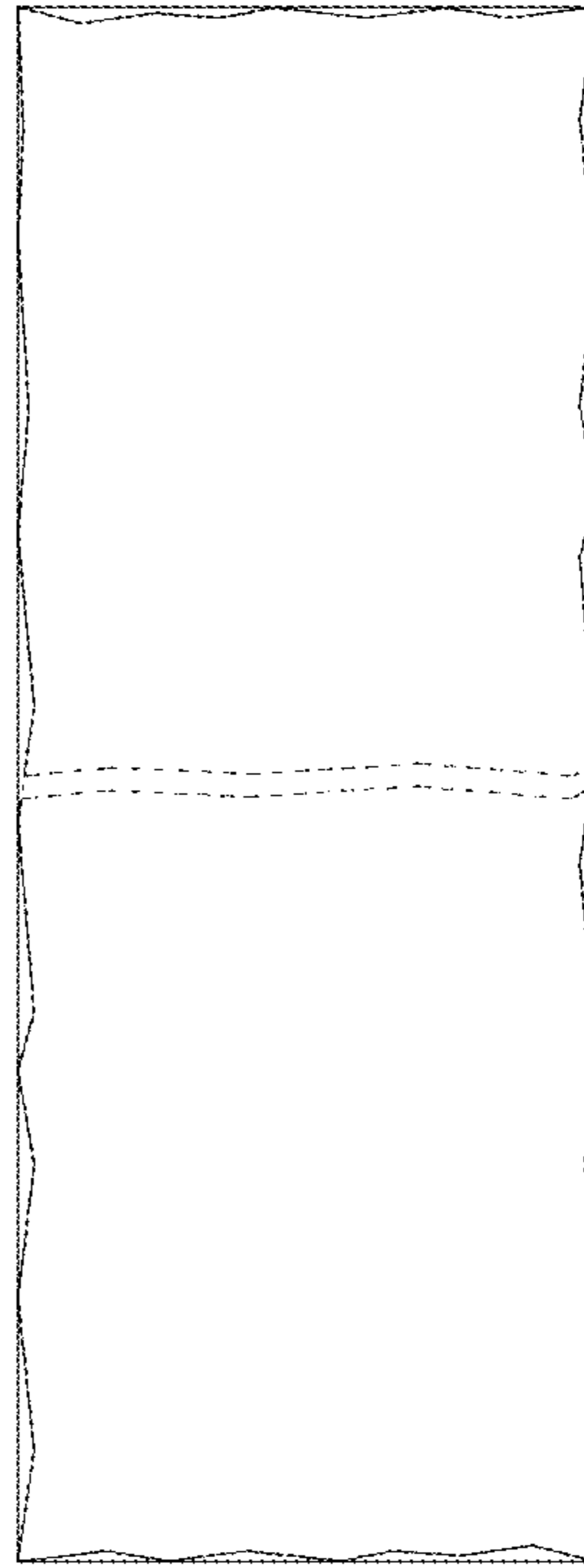


Fig.21

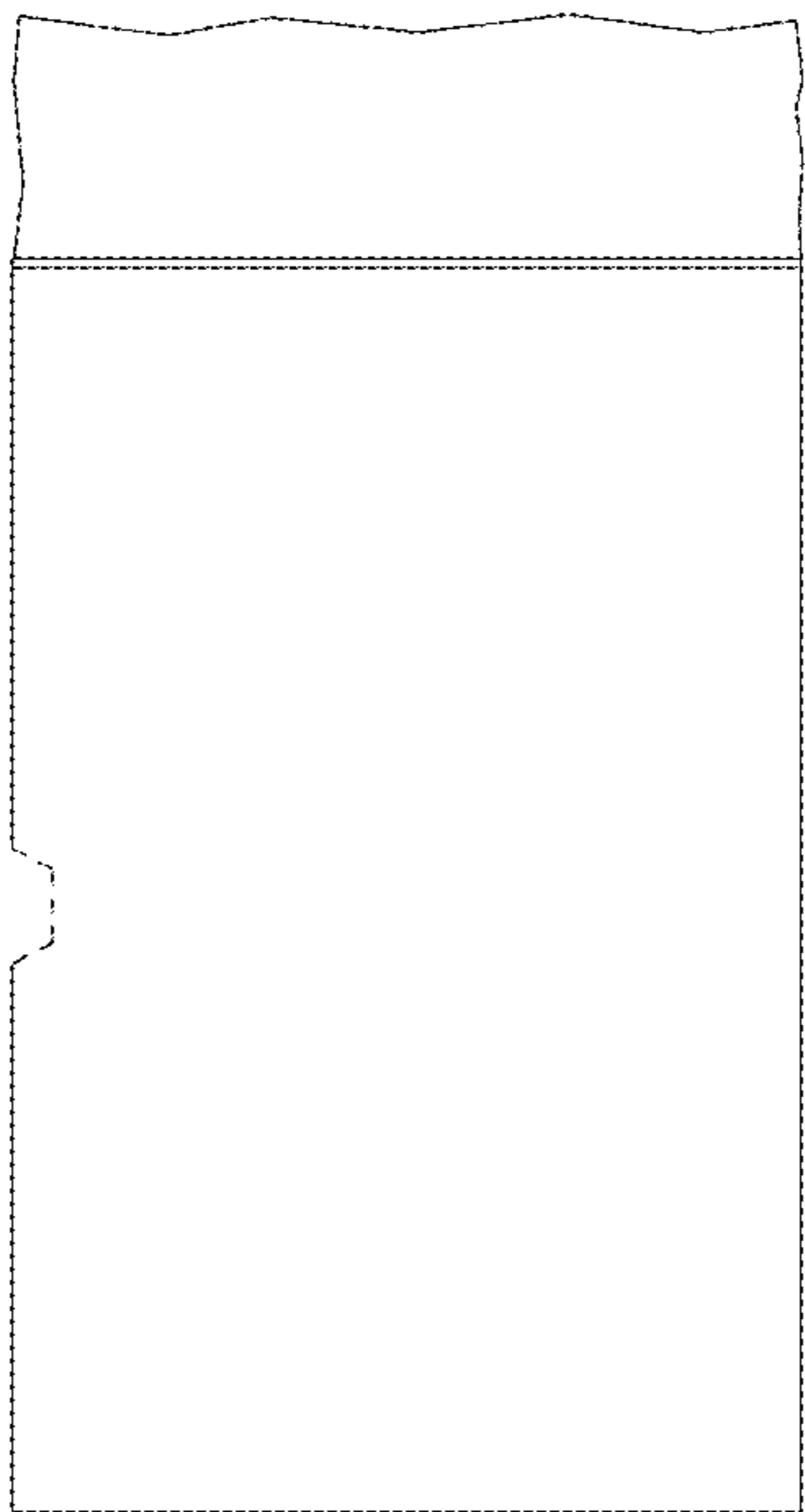


Fig.18

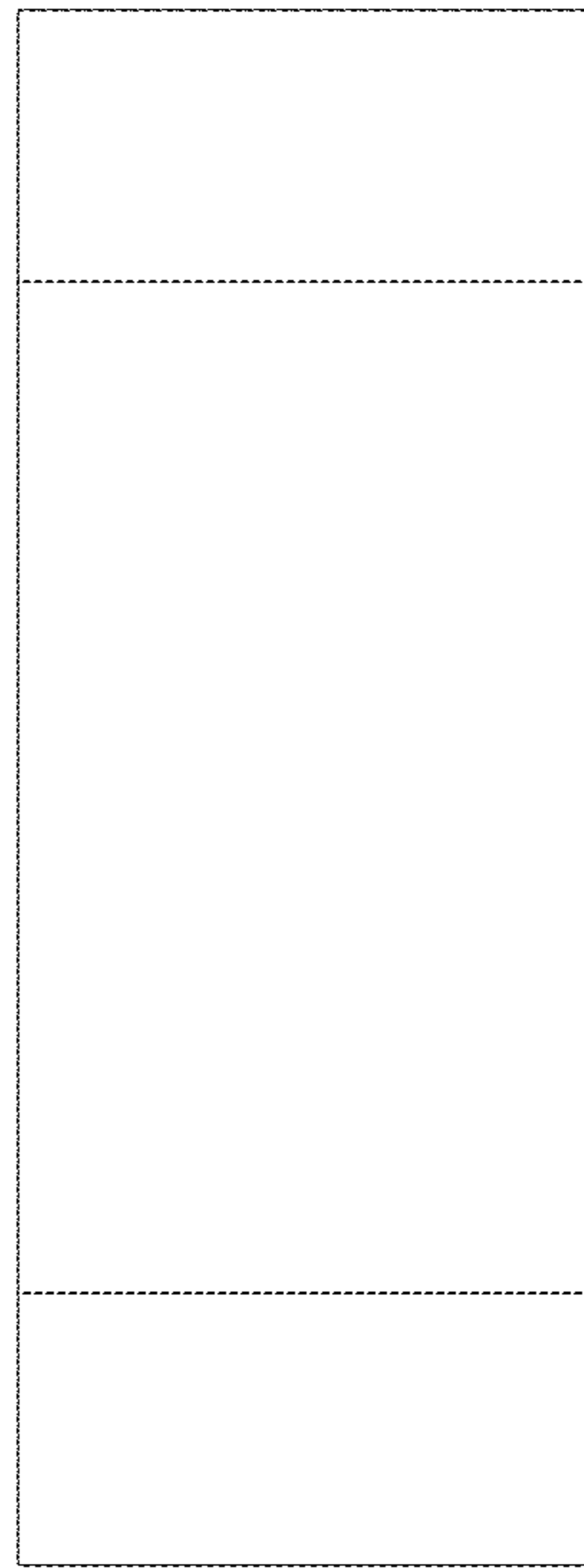


Fig.20

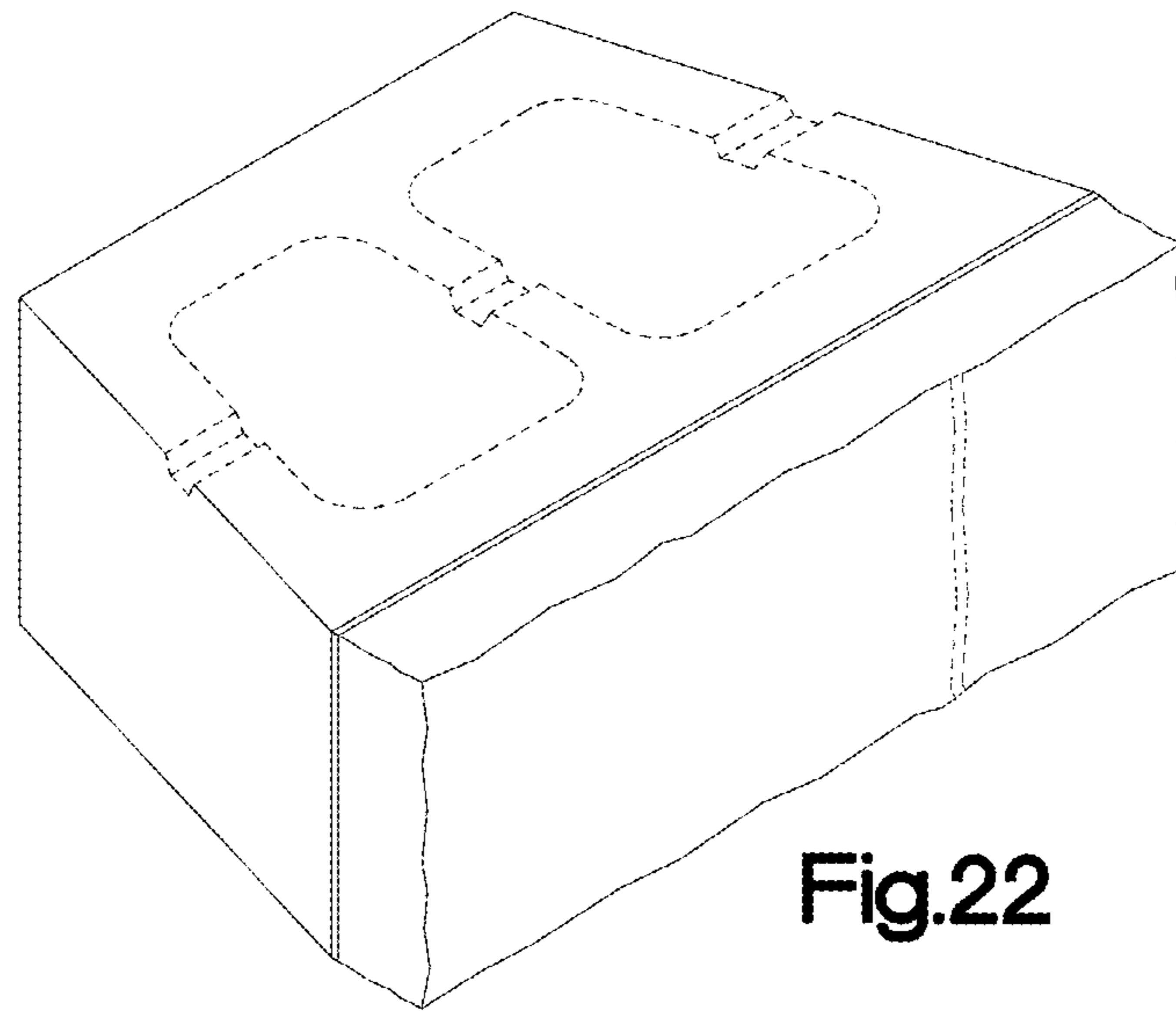


Fig.22

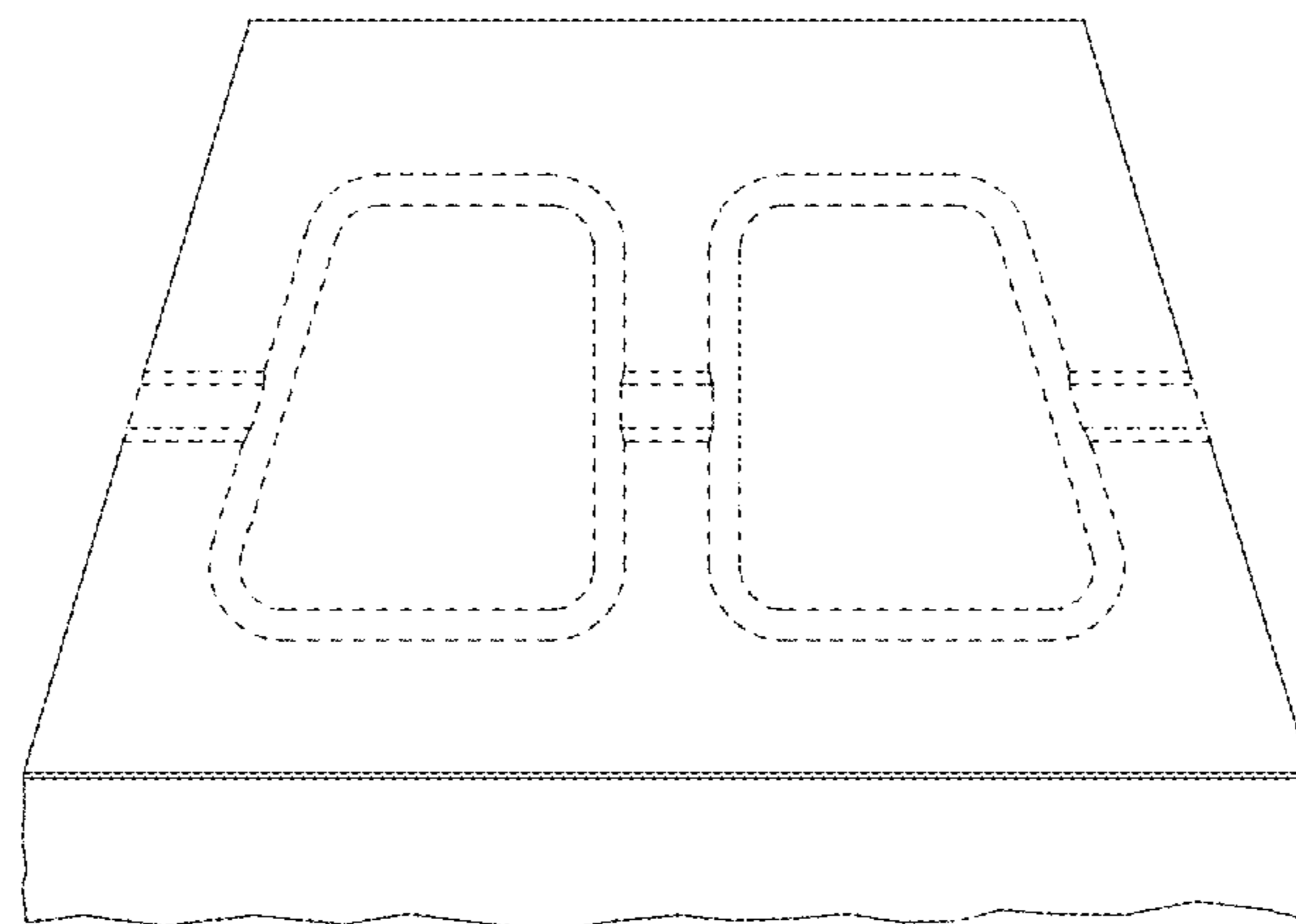


Fig.23

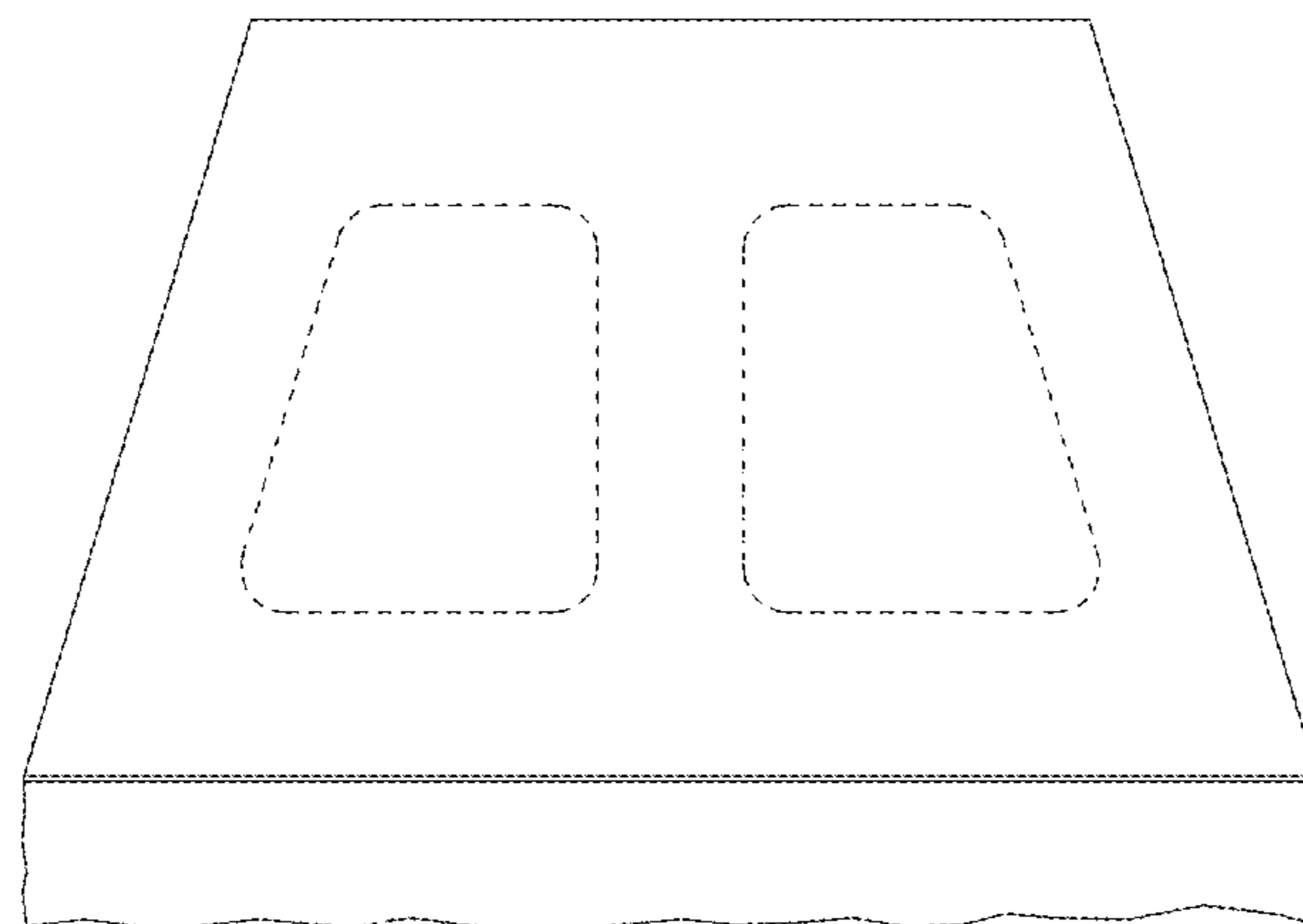


Fig.24

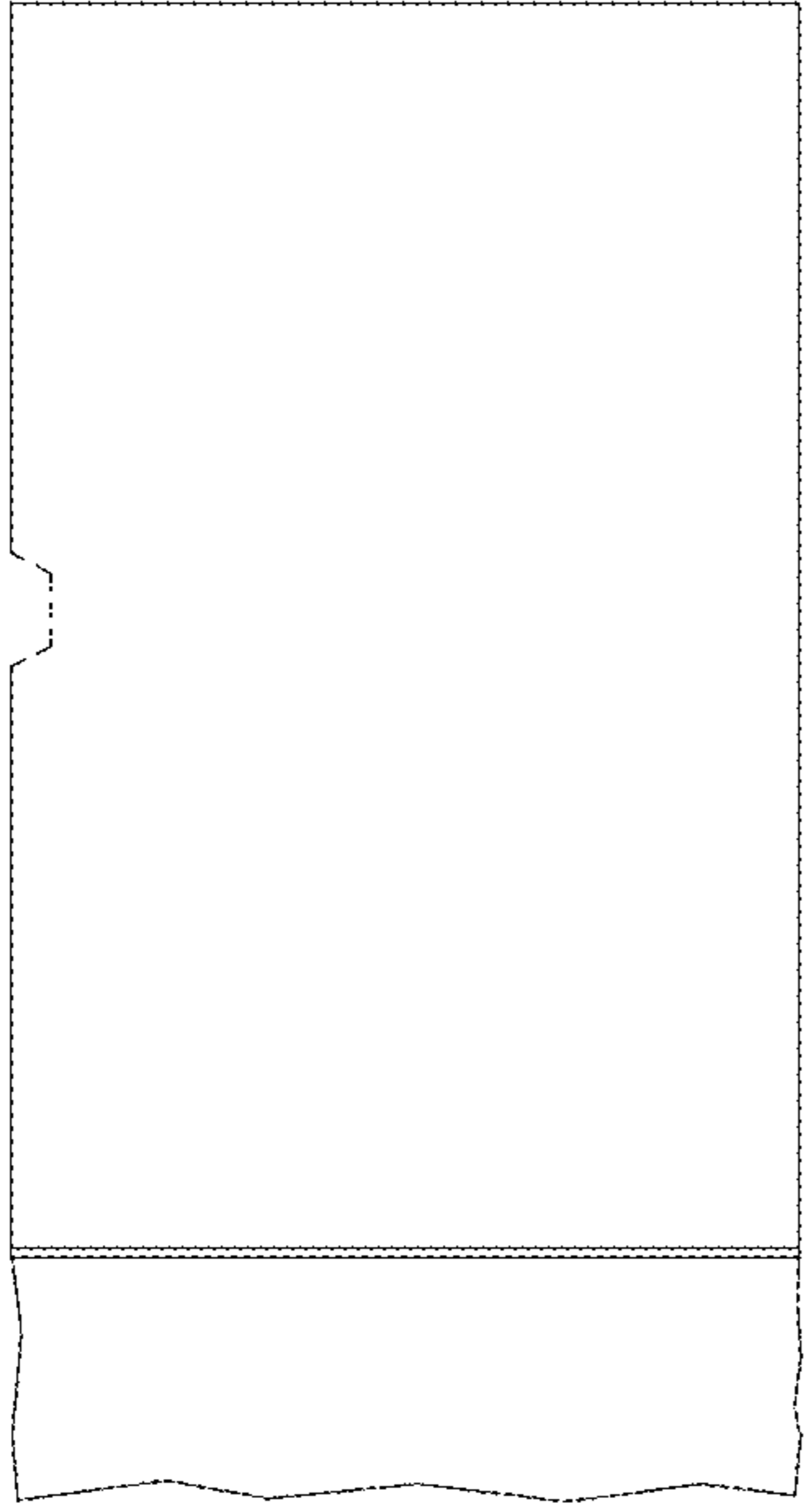


Fig.26

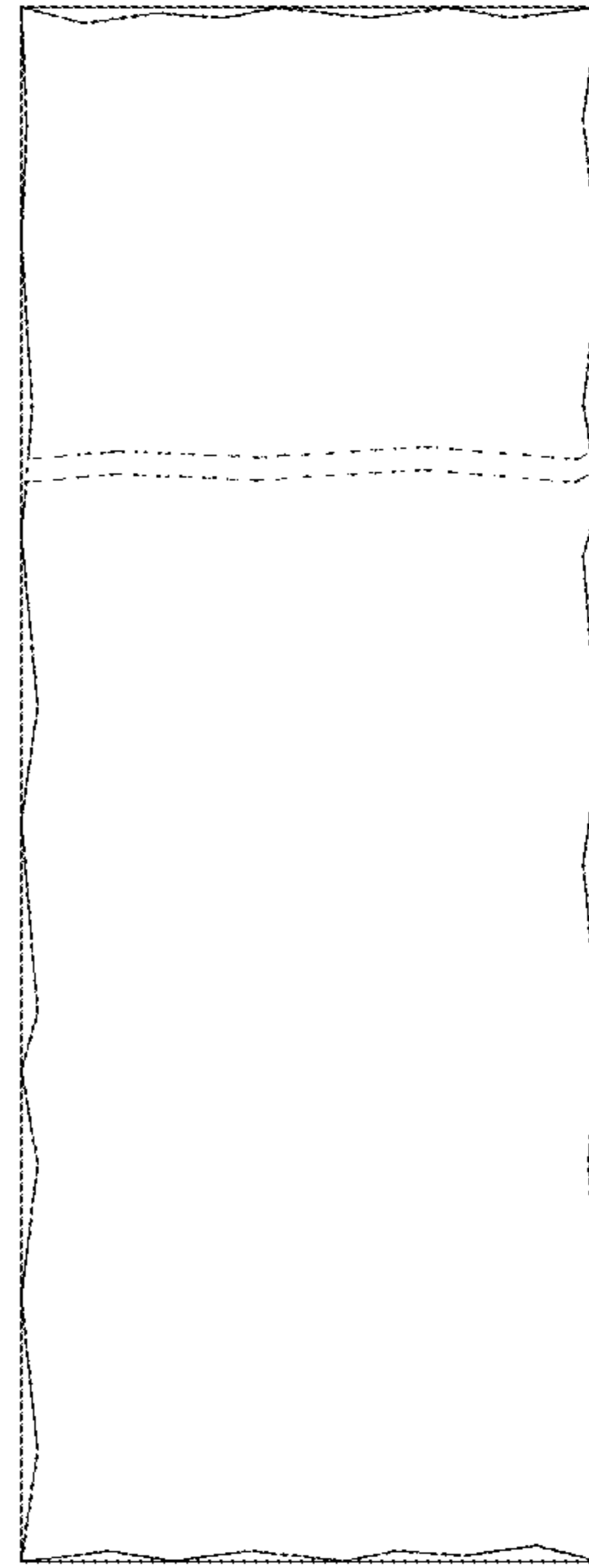


Fig.28

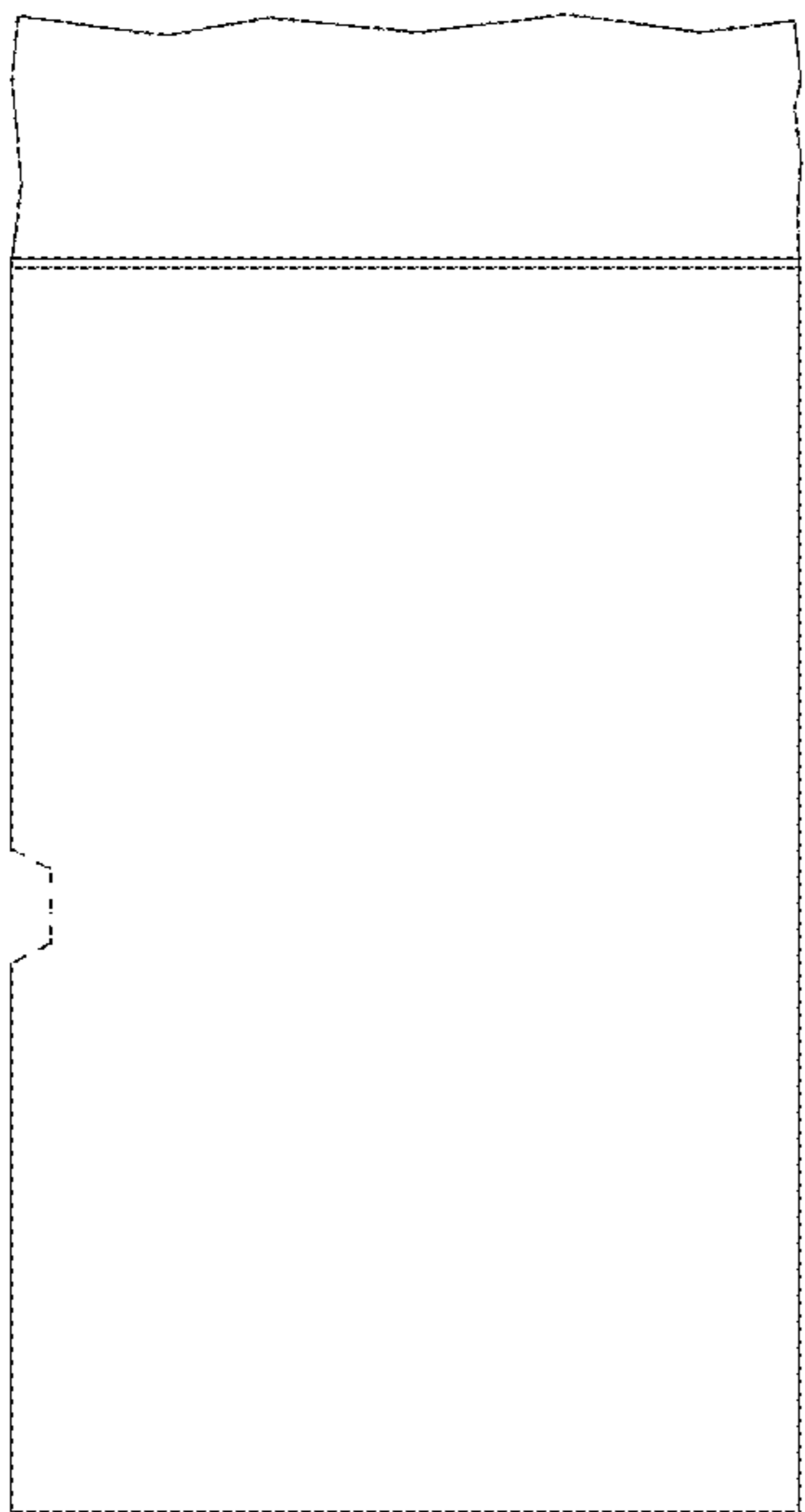


Fig.25



Fig.27

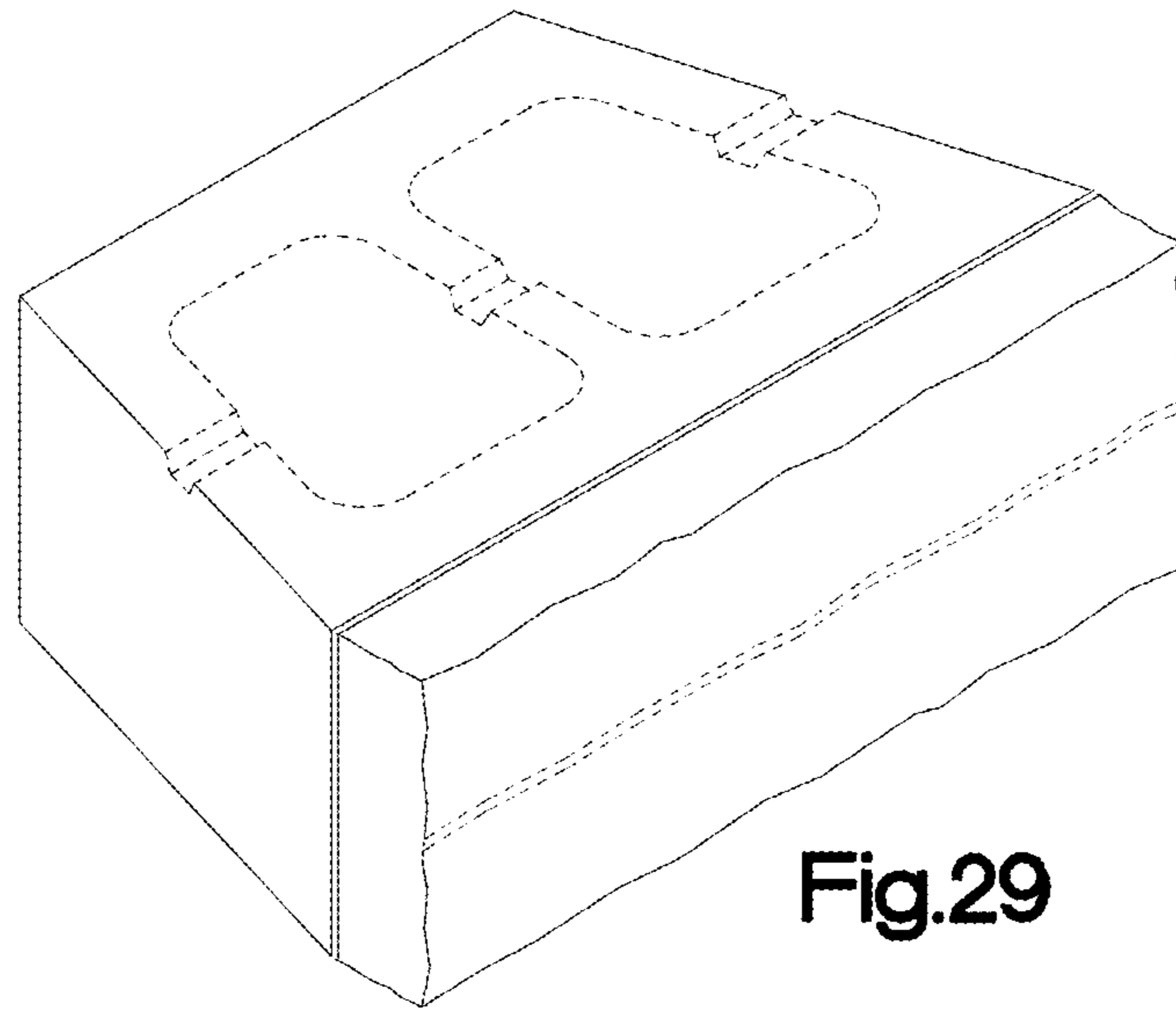


Fig.29

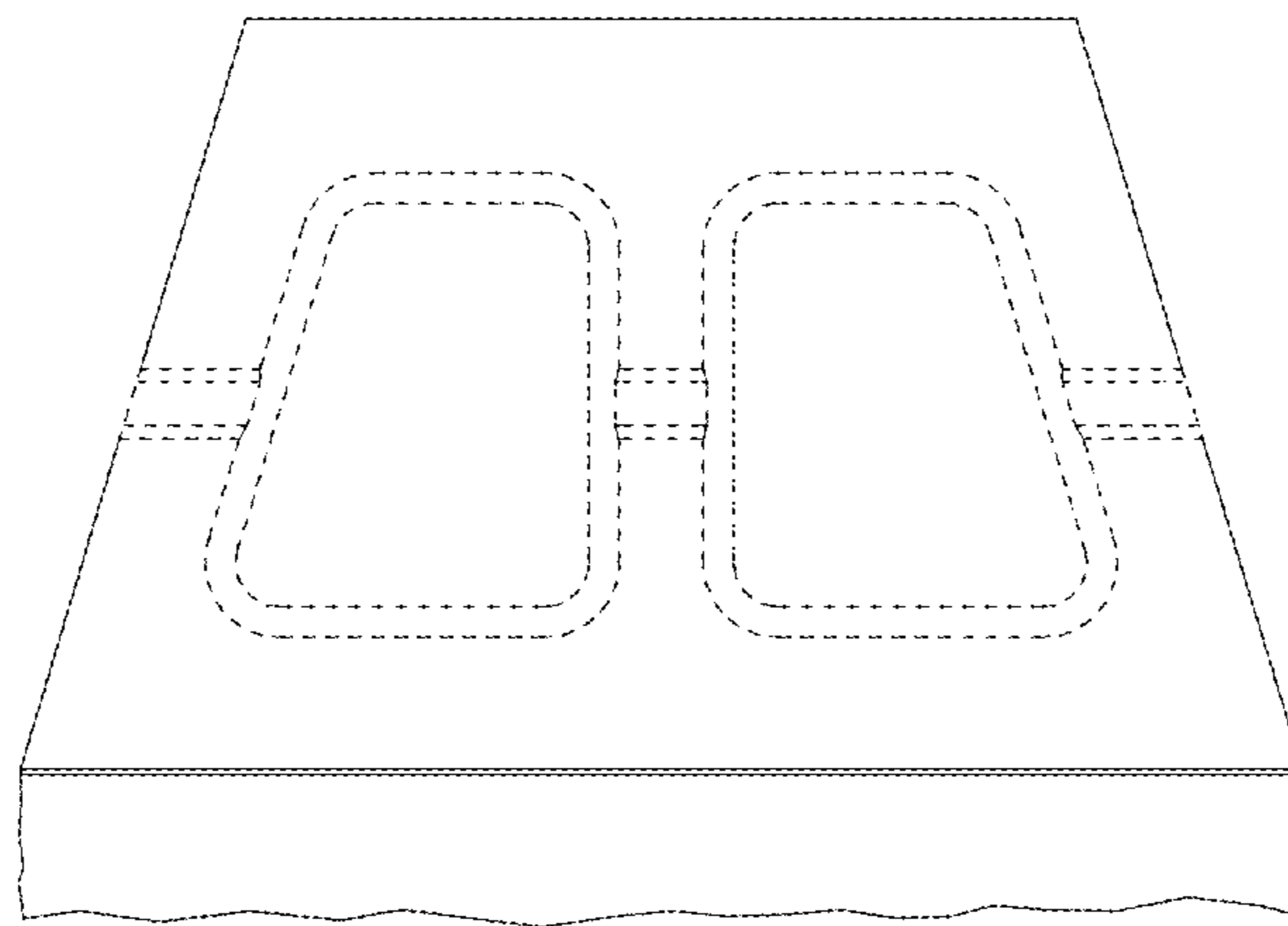


Fig.30

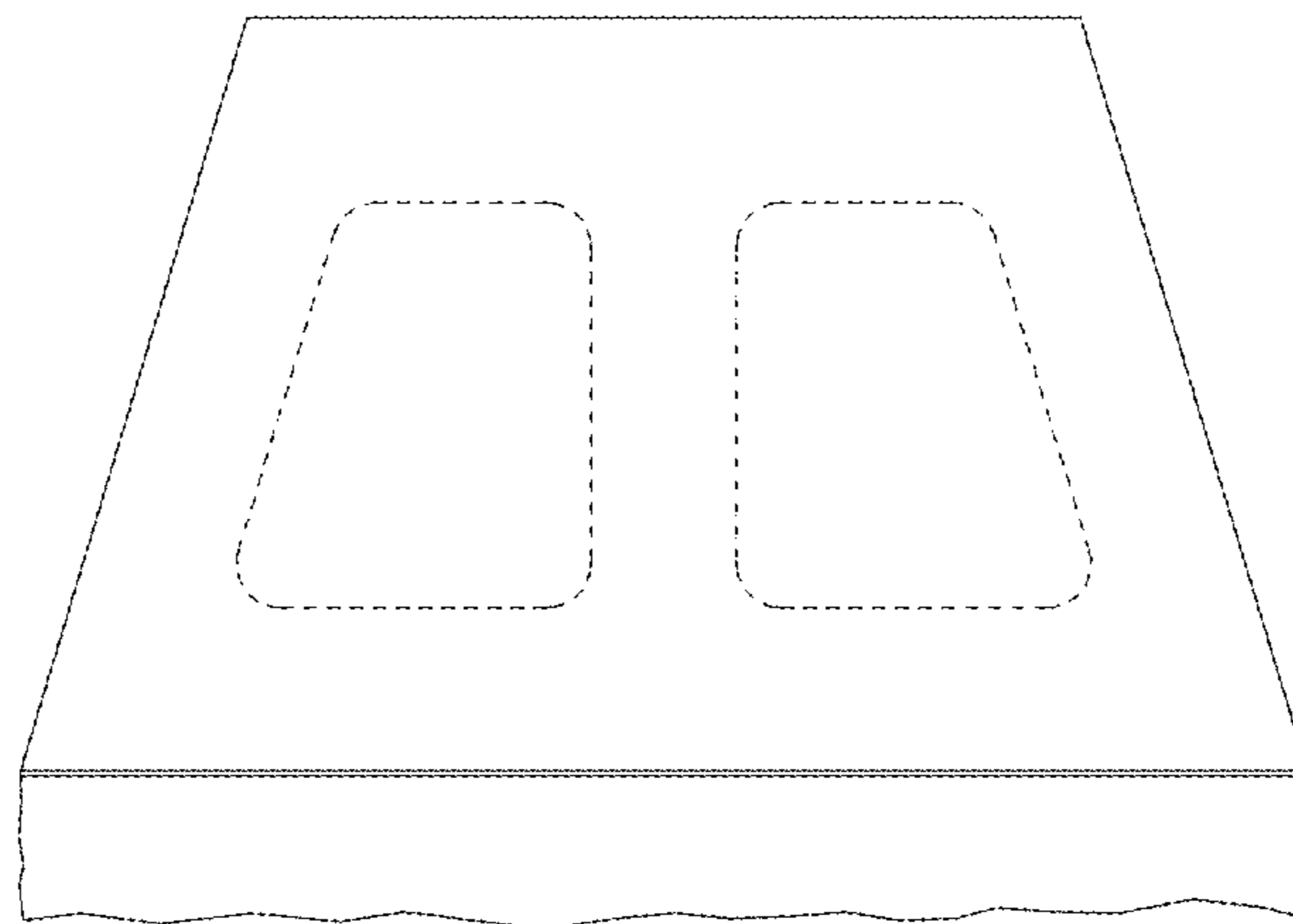


Fig.31

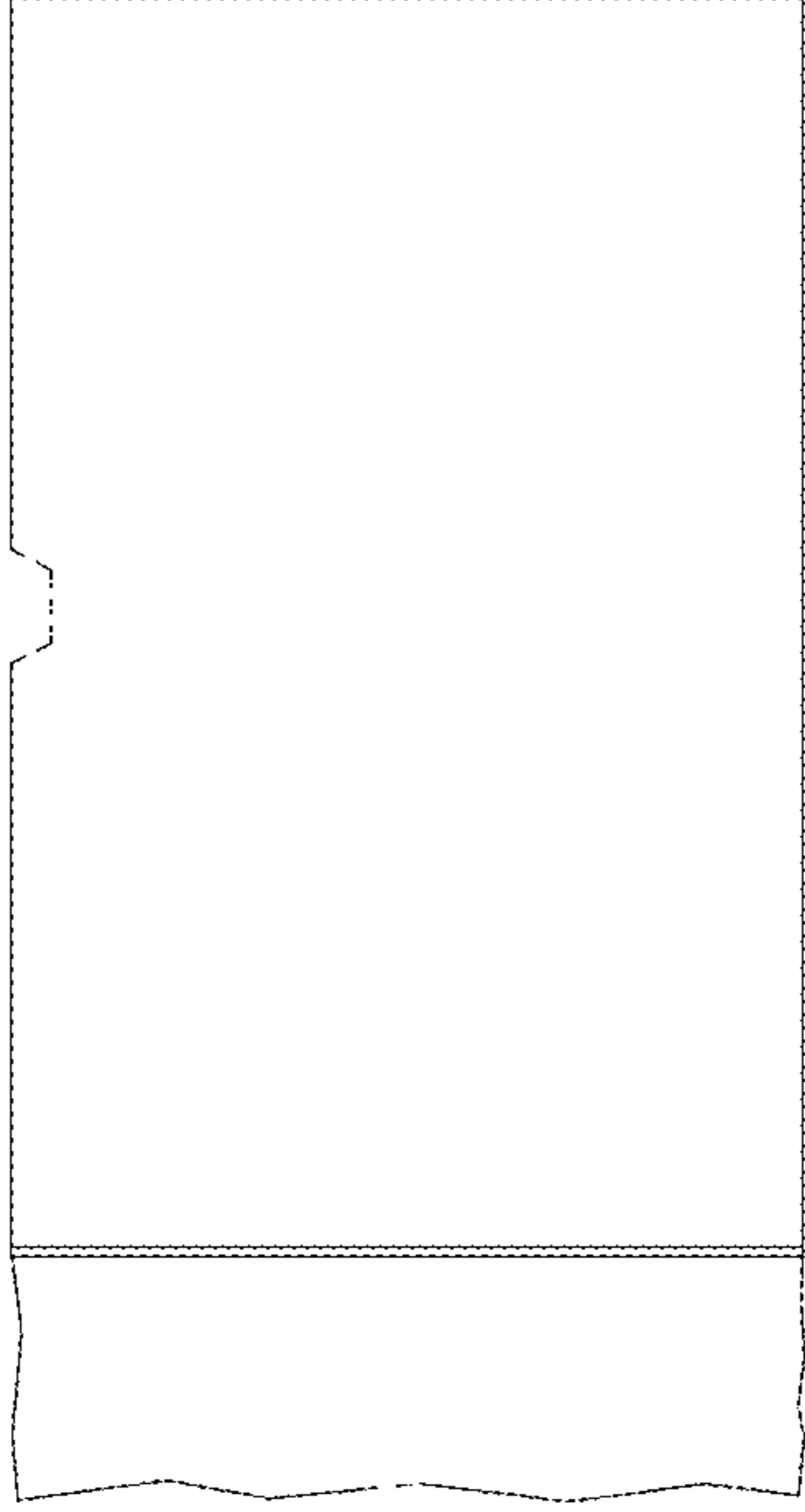


Fig.33

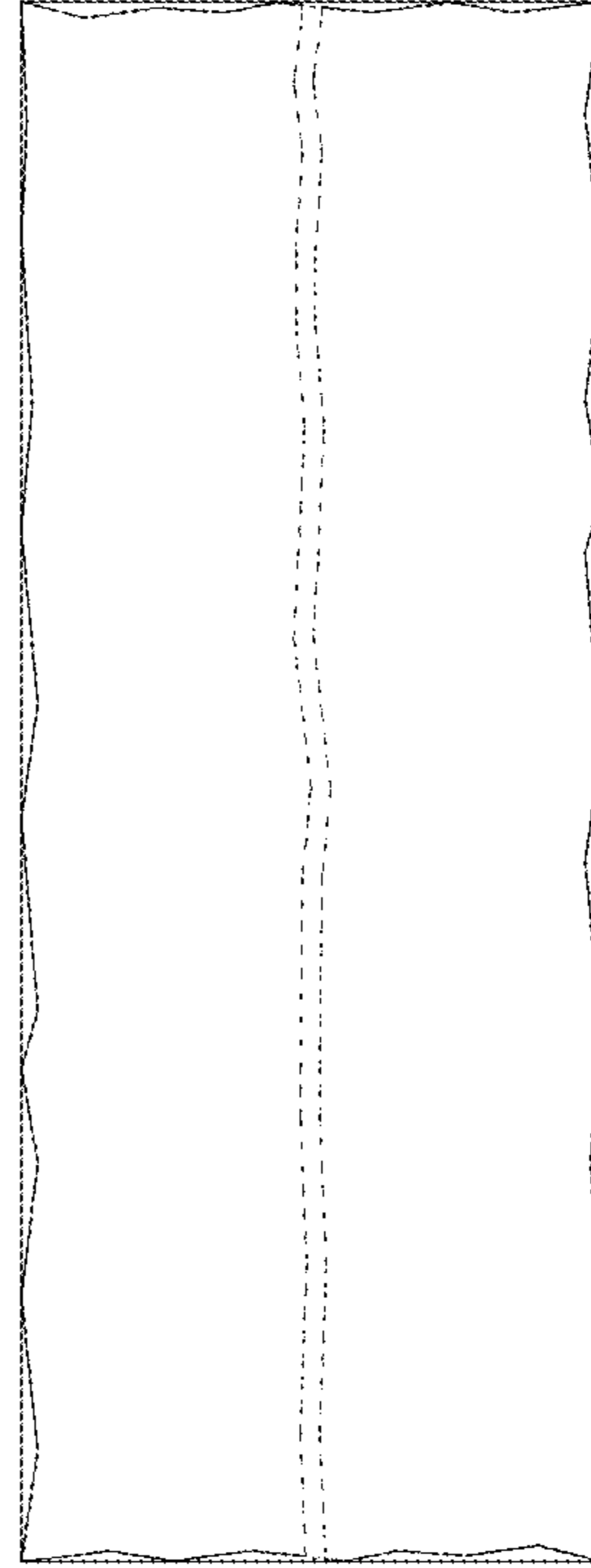


Fig.35

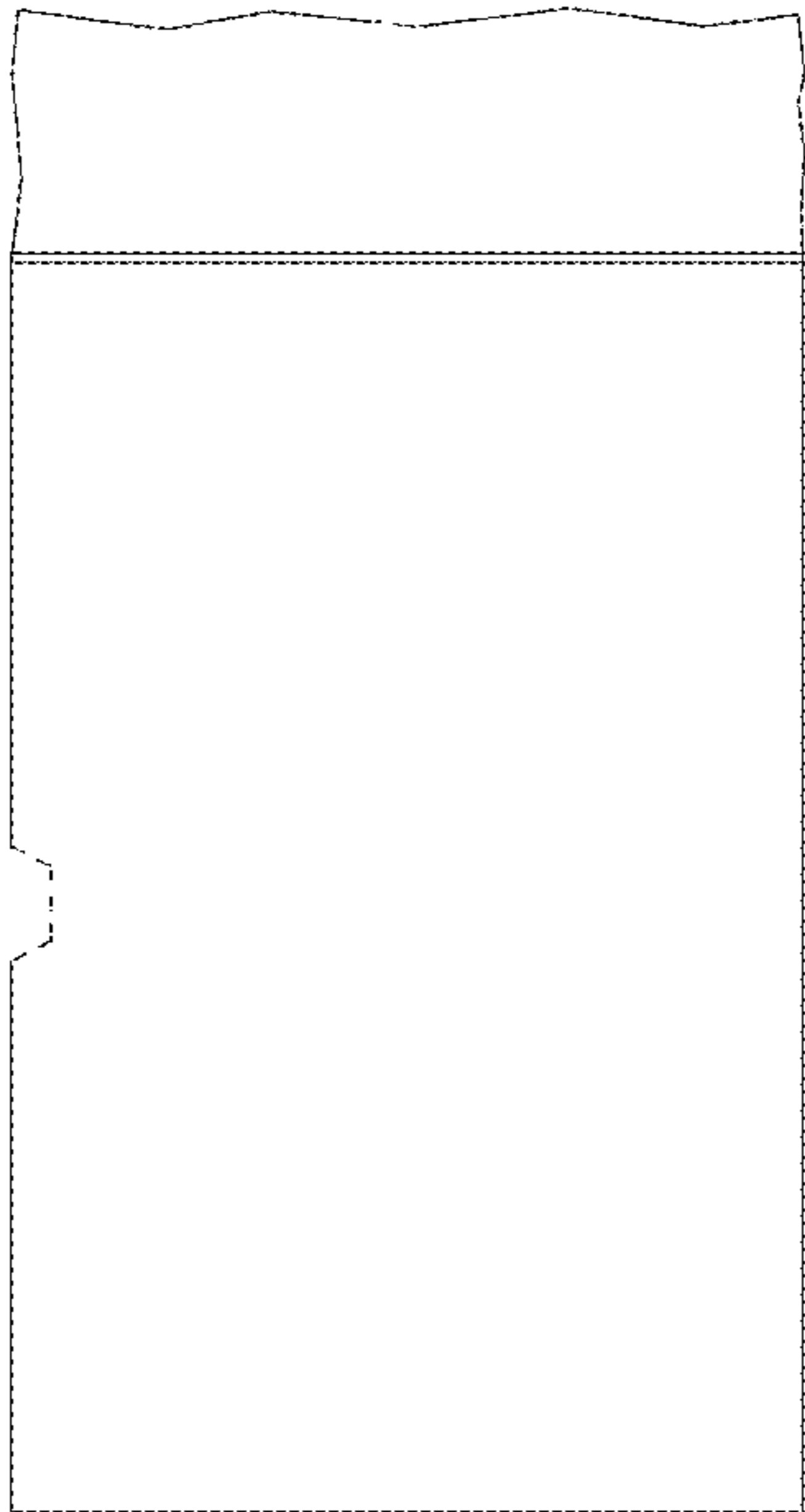


Fig.32



Fig.34

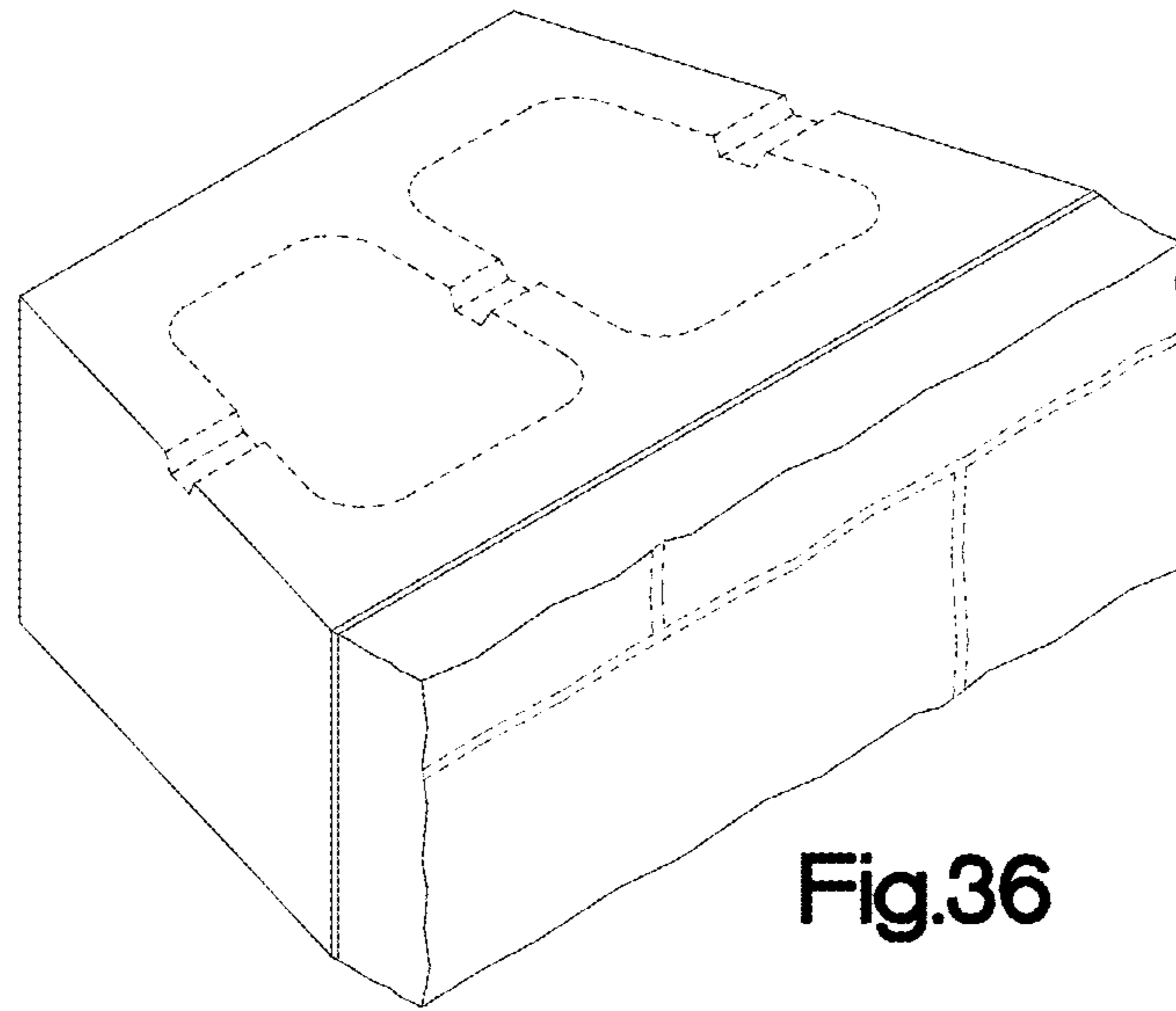


Fig.36

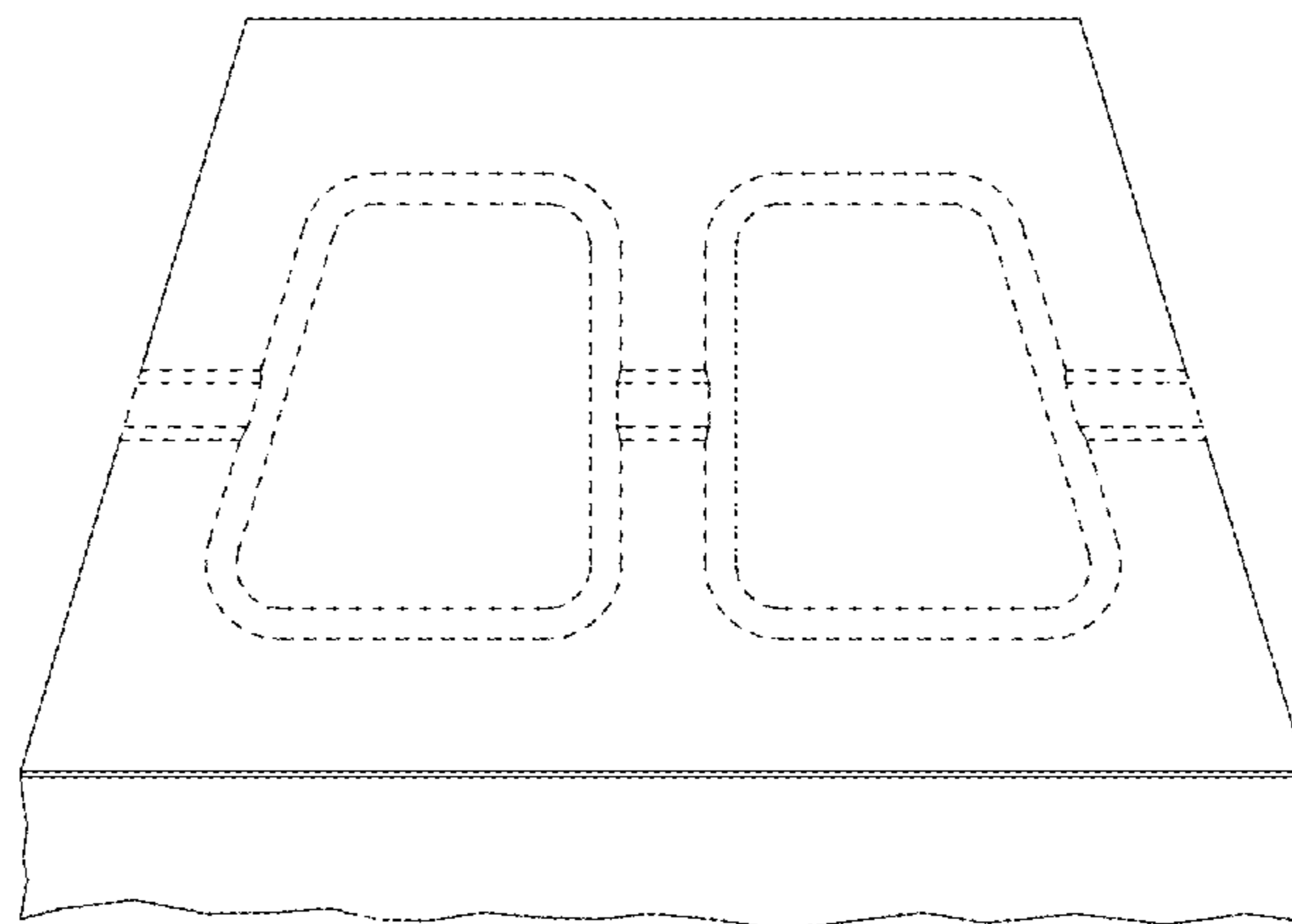


Fig.37

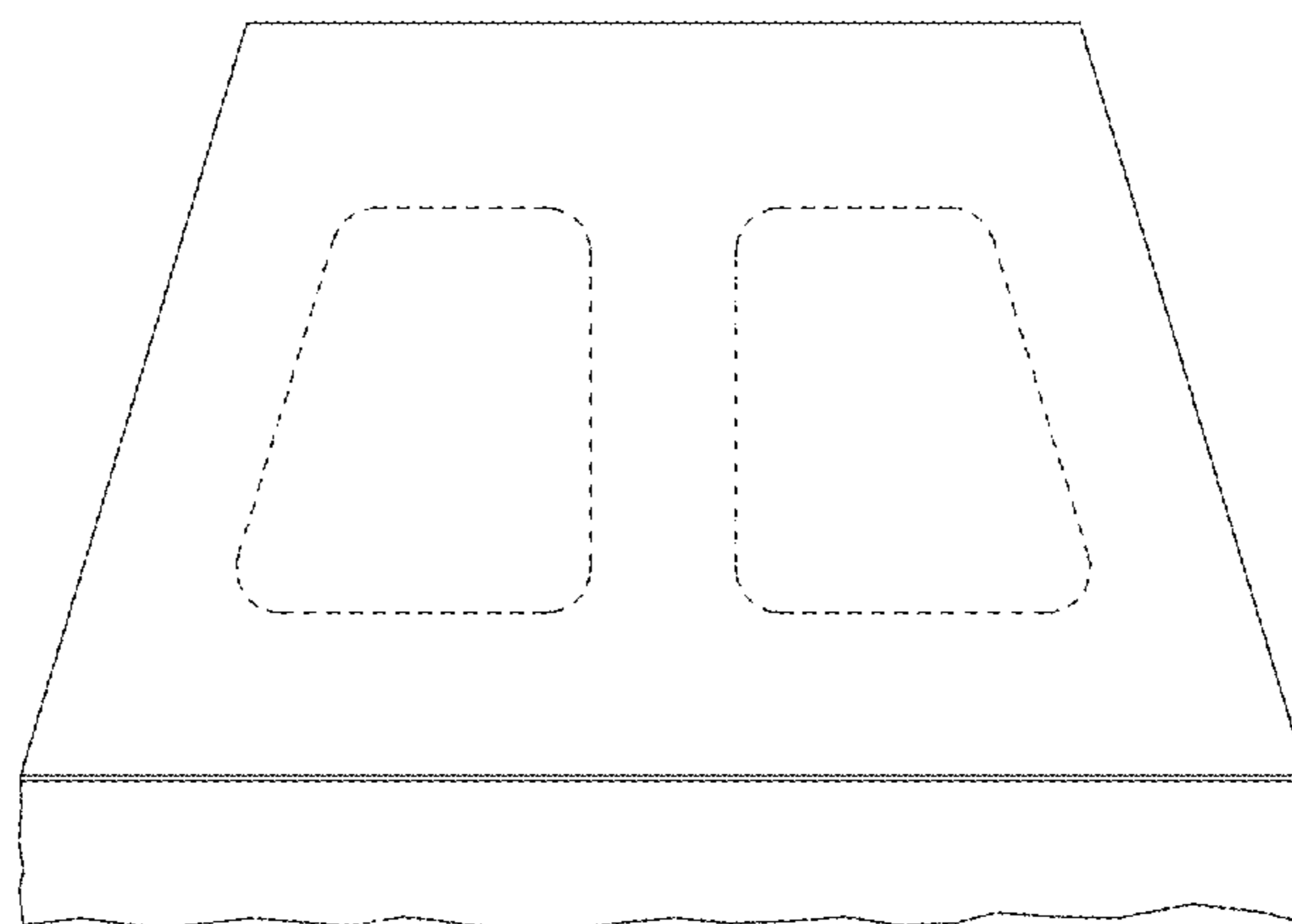


Fig.38

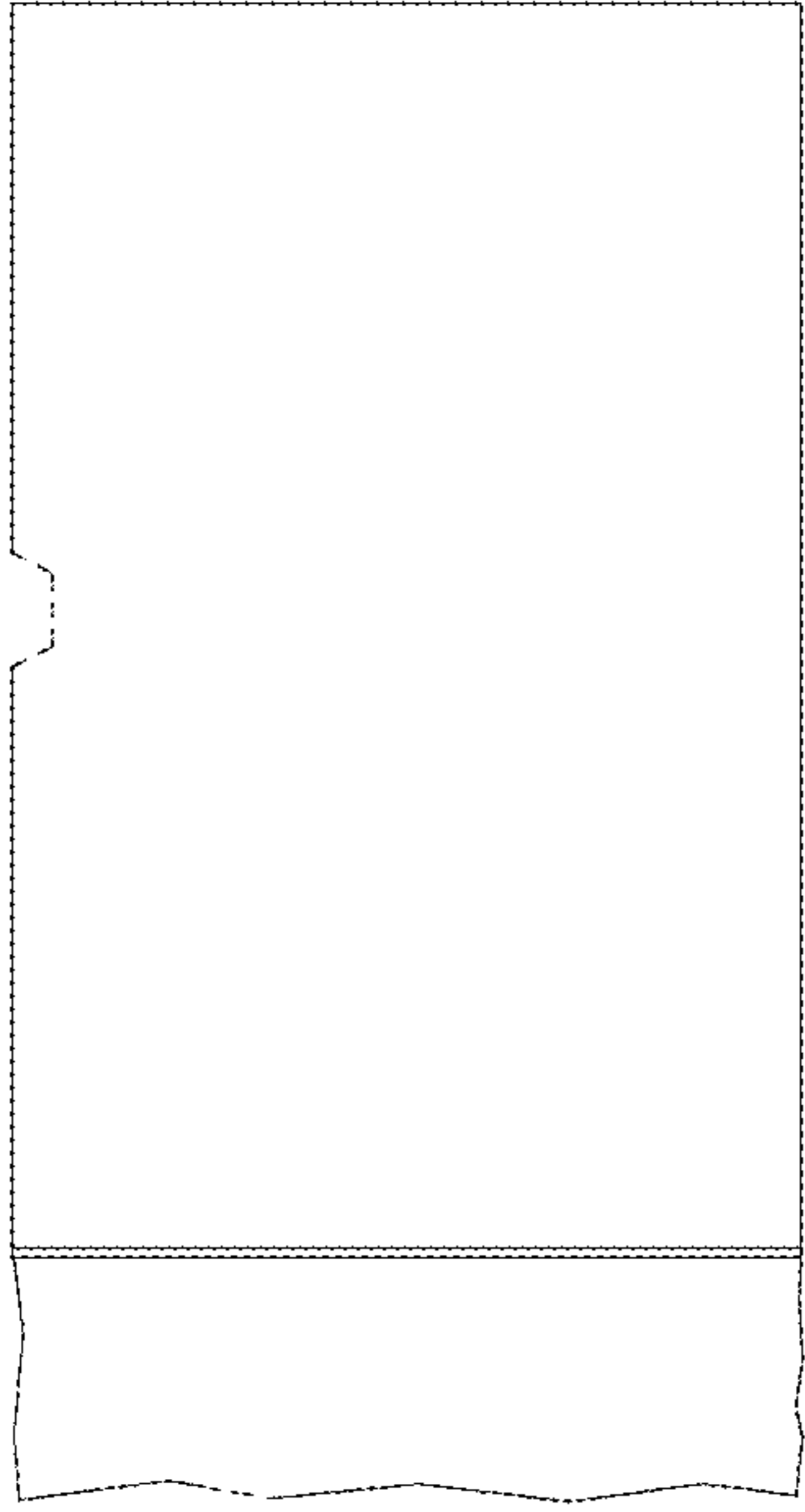


Fig.39

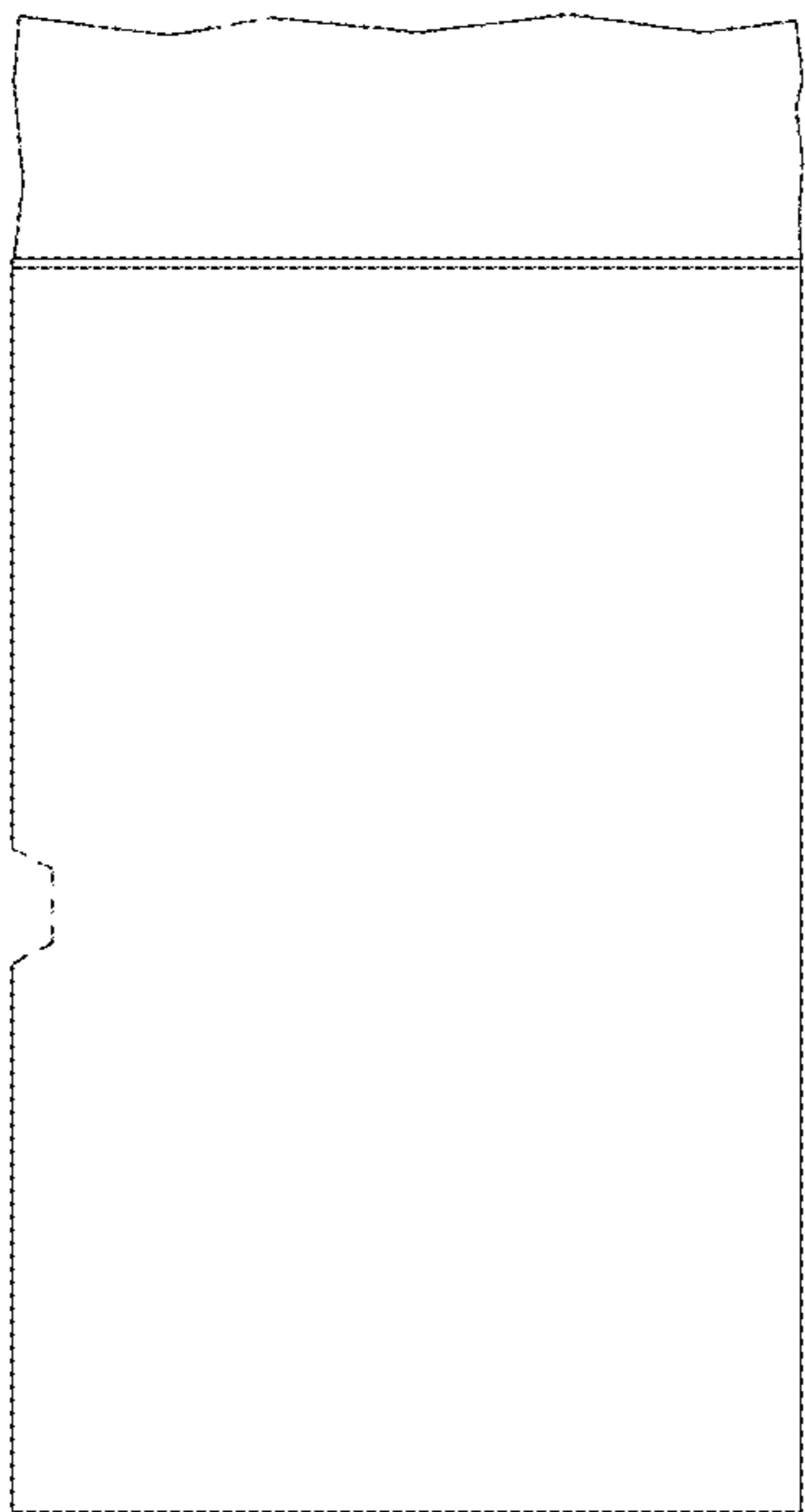


Fig.40

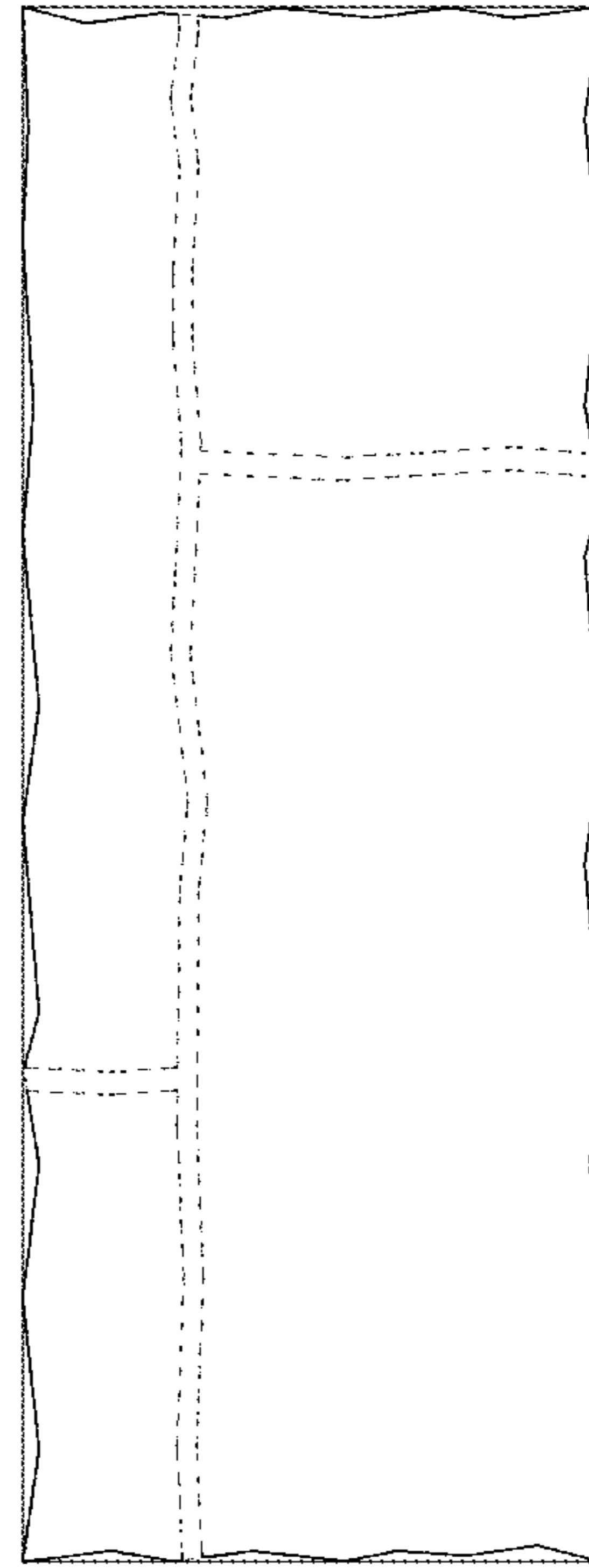


Fig.41

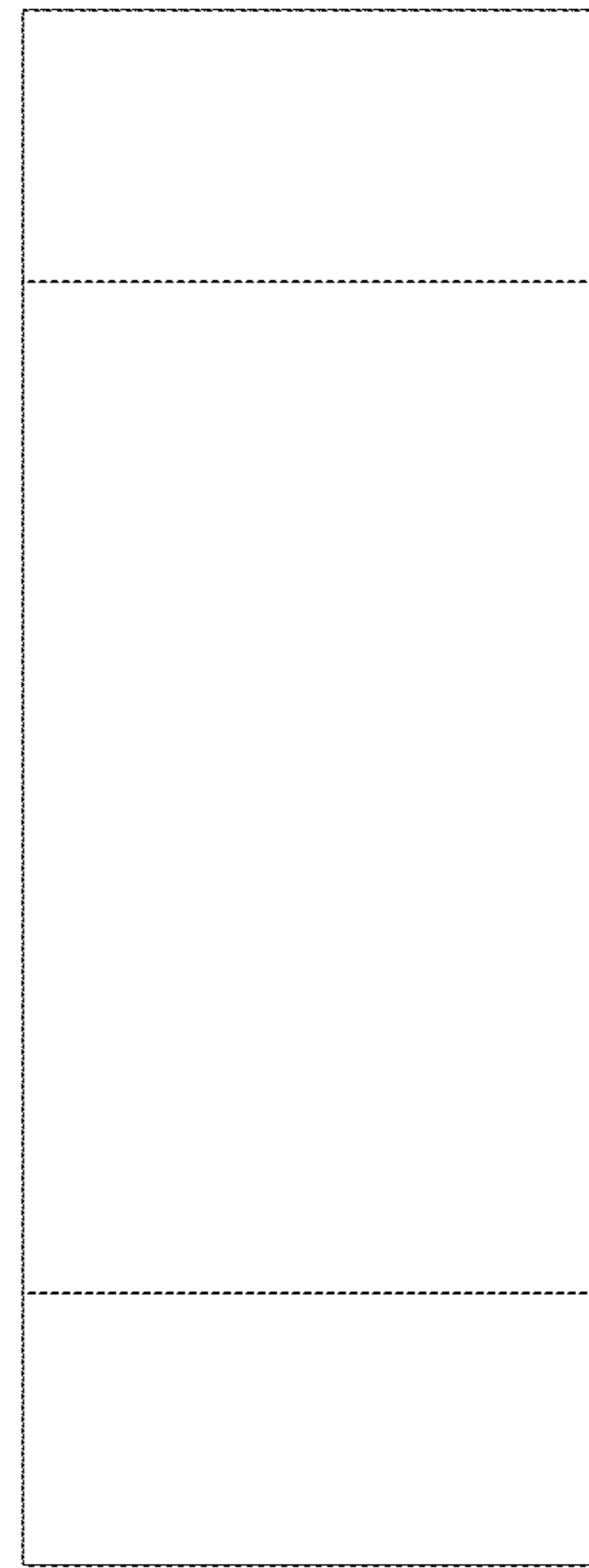


Fig.42

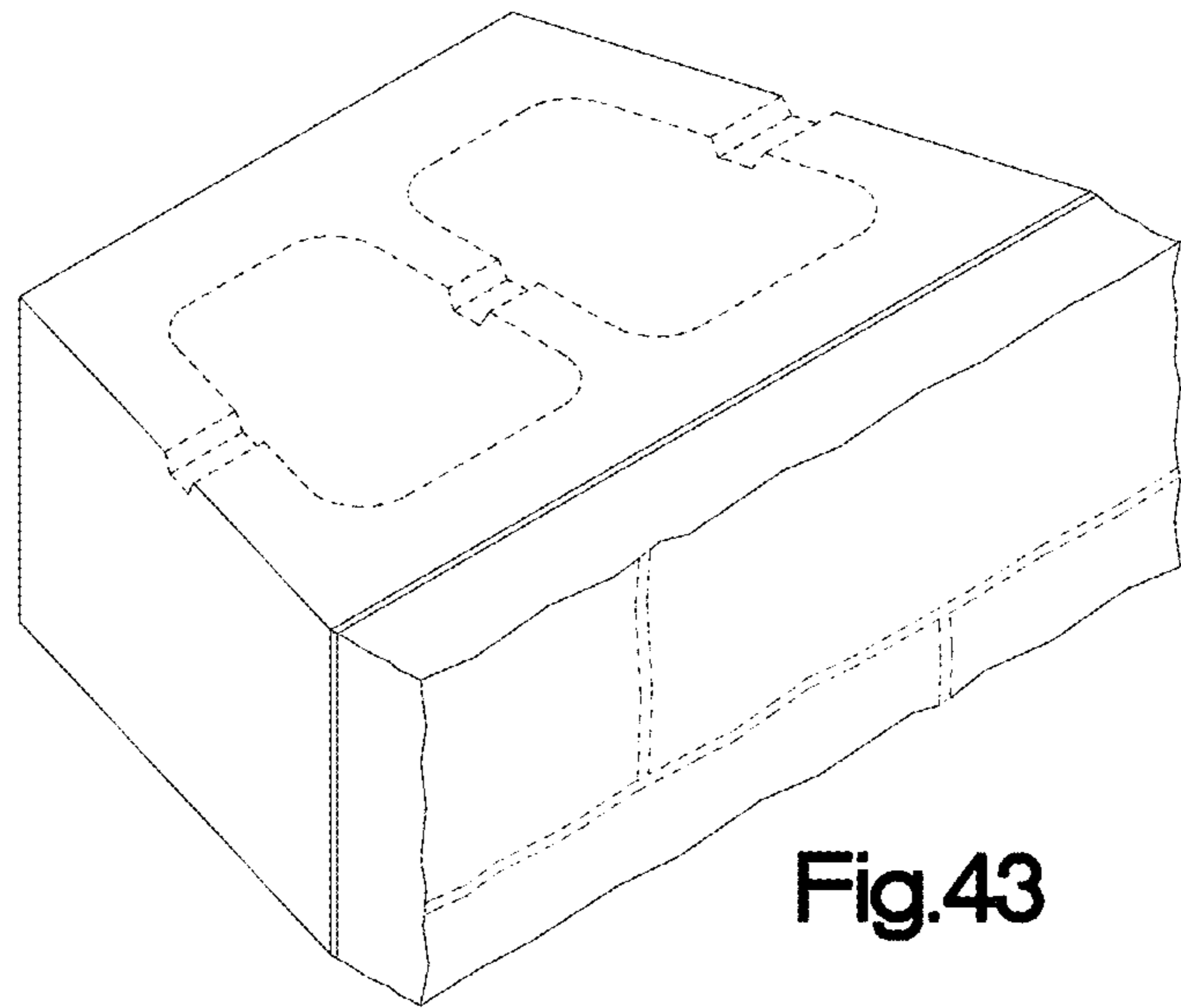


Fig.43

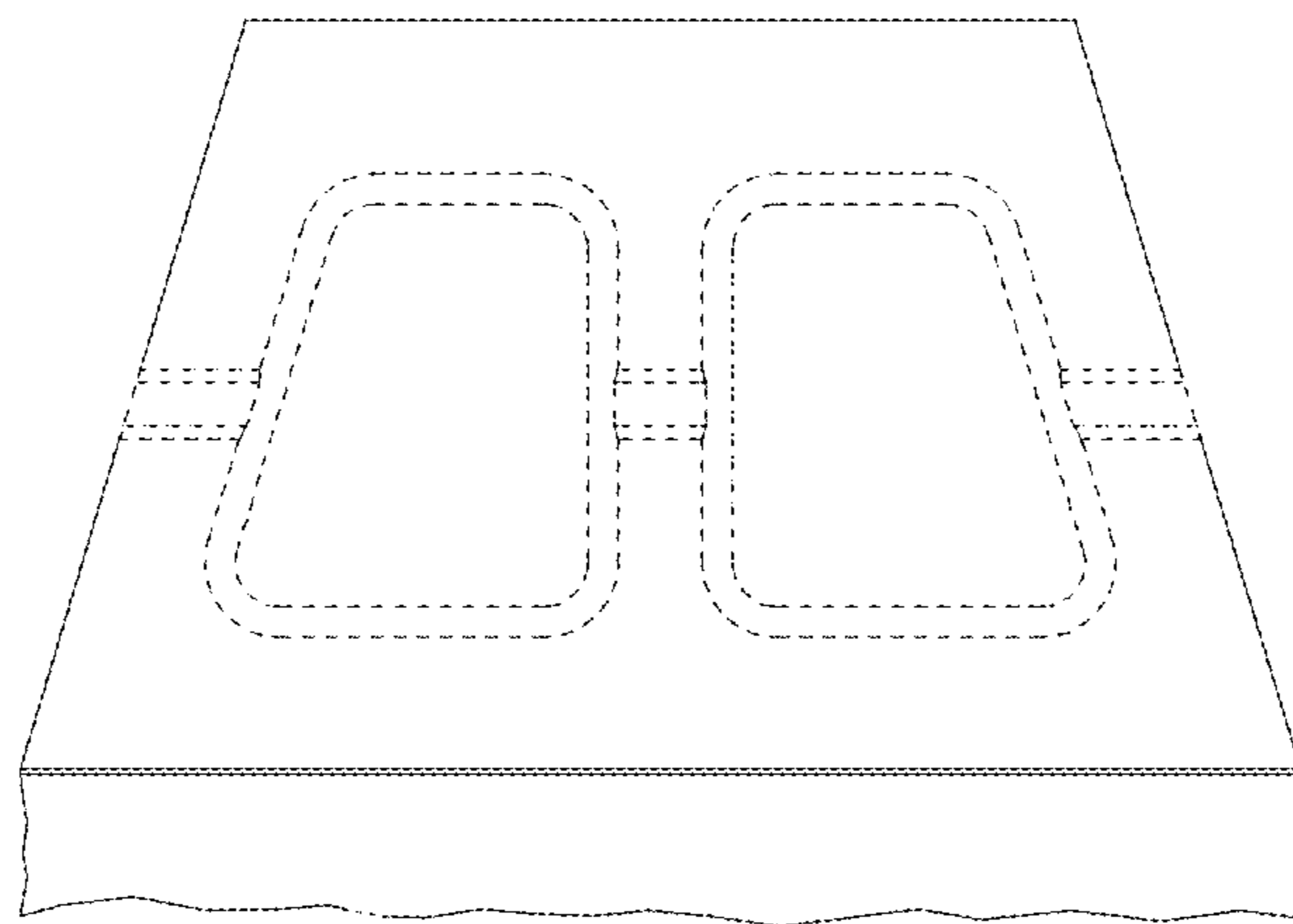


Fig.44

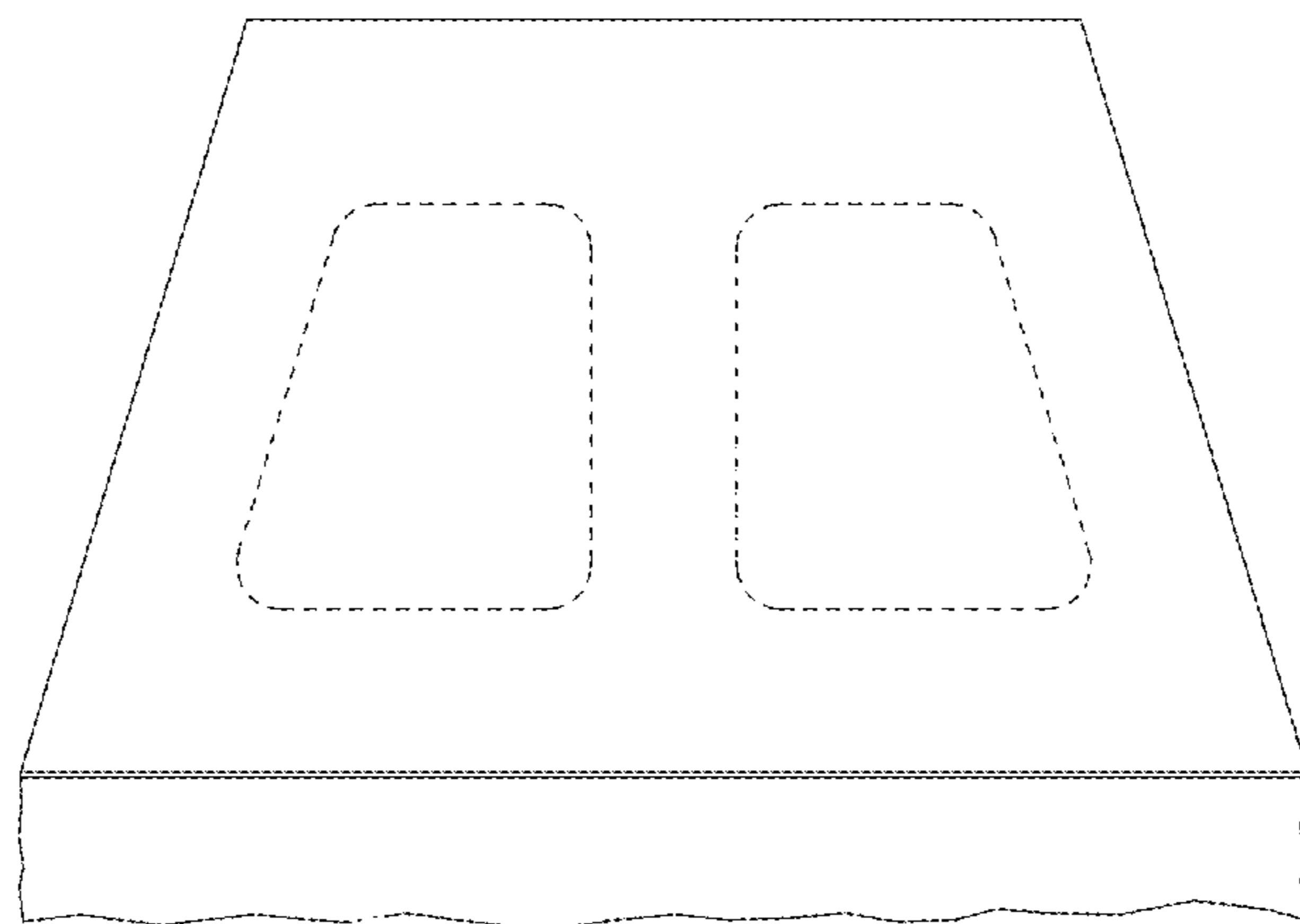


Fig.45

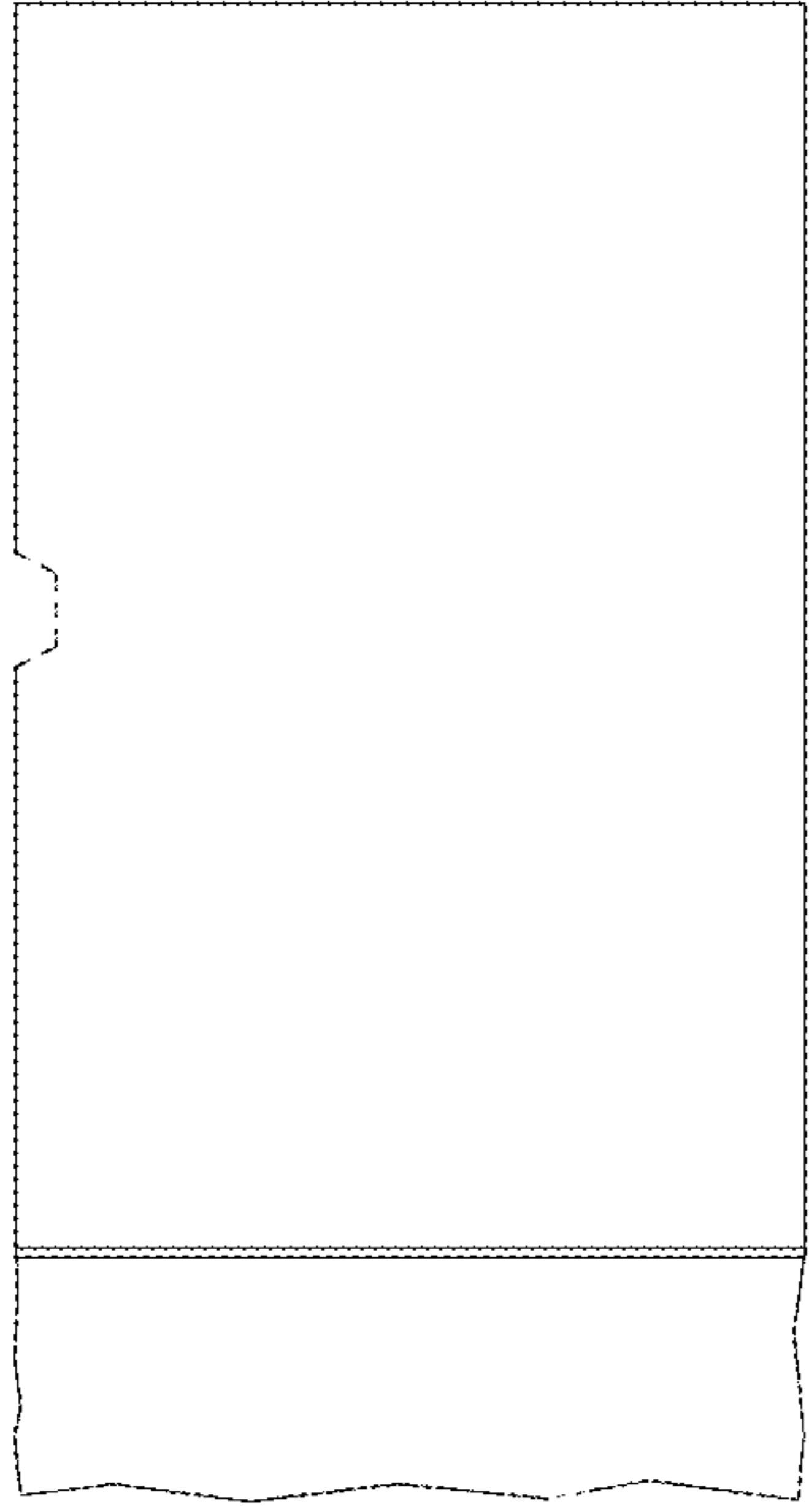


Fig.47

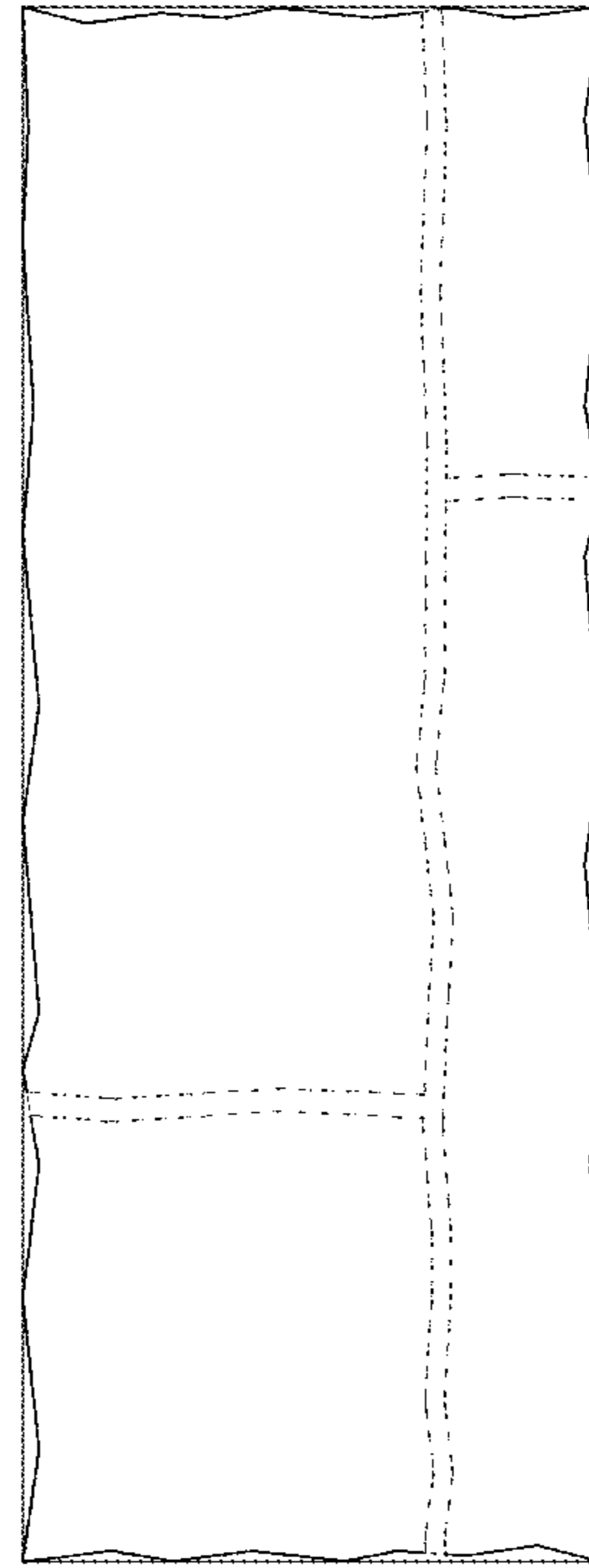


Fig.49

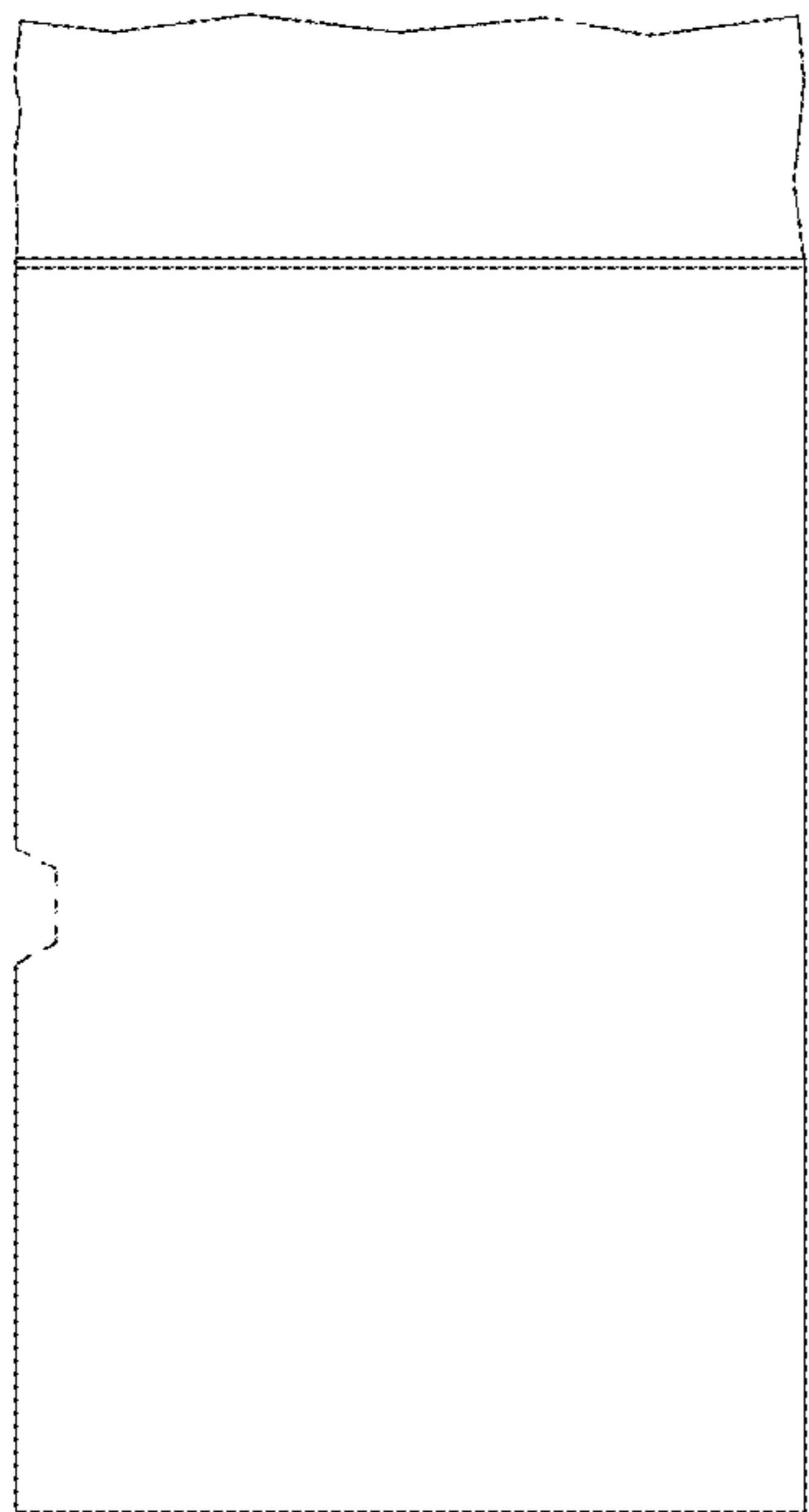


Fig.46

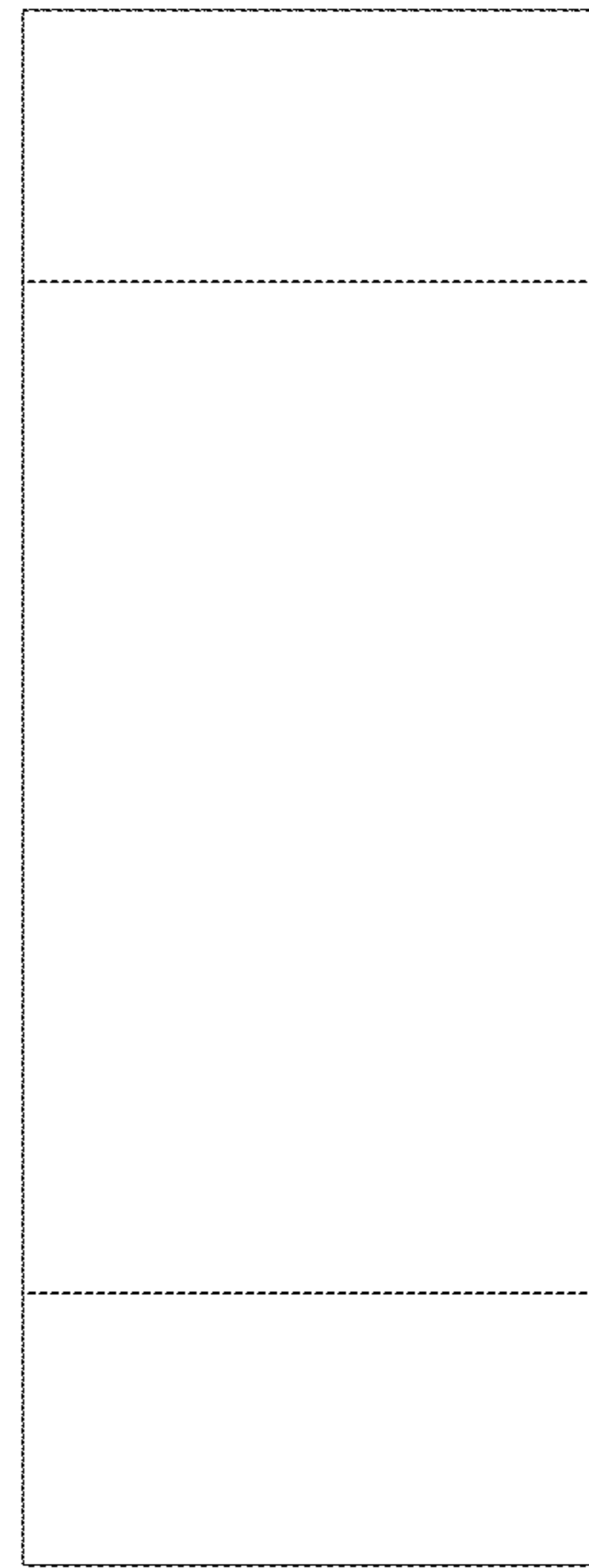


Fig.48