



US00D877935S

(12) **United States Design Patent** (10) **Patent No.:** **US D877,935 S**
Scott (45) **Date of Patent:** **** Mar. 10, 2020**

(54) **GARAGE DOOR RODENT GUARD**

(71) Applicant: **Thomas Scott**, Lake Lure, NC (US)

(72) Inventor: **Thomas Scott**, Lake Lure, NC (US)

(**) Term: **15 Years**

(21) Appl. No.: **29/665,716**

(22) Filed: **Oct. 5, 2018**

(51) **LOC (12) Cl.** **25-02**

(52) **U.S. Cl.**
USPC **D25/48.2**

(58) **Field of Classification Search**
USPC D25/48.2, 119-125, 136, 164, 199
CPC E06B 7/2316; E06B 7/232; E06B 7/28;
E06B 1/34; E06B 1/68; E06B 2001/622;
A01M 29/30; E04B 1/72; E04F 19/028
See application file for complete search history.

(56) **References Cited**

U.S. PATENT DOCUMENTS

- 293,385 A * 2/1884 Warnock E06B 7/205
49/305
- 765,844 A * 7/1904 Kenny E06B 7/2316
49/499.1
- 1,602,825 A * 10/1926 Kammerer E06B 7/232
49/483.1
- 4,815,250 A 3/1989 Mulford
- 4,877,648 A * 10/1989 Sotelo E04F 13/06
427/140
- 5,465,532 A 11/1995 Varin
- D375,446 S * 11/1996 Nelson D8/343
- 6,837,000 B2 1/2005 Renzi
- 7,866,113 B2 * 1/2011 Young E05B 15/0205
292/346
- D668,352 S * 10/2012 Field D25/119

- 9,441,411 B2 9/2016 Davis
- D773,688 S * 12/2016 Lindstedt D25/48.2
- 2003/0056428 A1 * 3/2003 Renzi A01M 29/30
43/124
- 2004/0045214 A1 * 3/2004 Renzi A01M 29/30
43/124
- 2012/0047811 A1 3/2012 Weeks
- 2013/0014453 A1 1/2013 Hargrave et al.
- 2015/0292197 A1 10/2015 Miller et al.

FOREIGN PATENT DOCUMENTS

KR 300982366.0000 * 11/2018

* cited by examiner

Primary Examiner — Leanne Was-Englehart
(74) *Attorney, Agent, or Firm* — Goldstein Law Offices,
P.C.

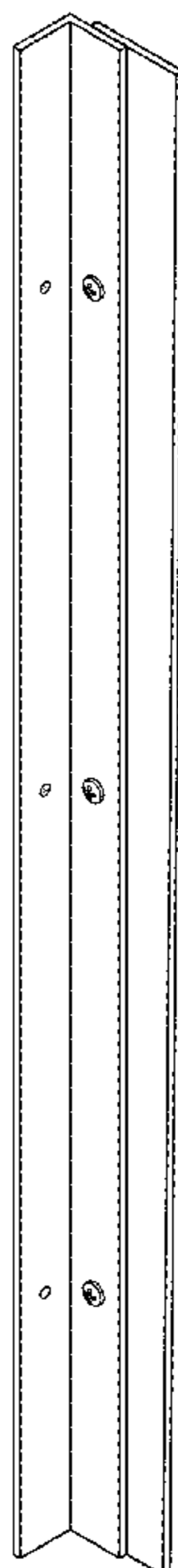
(57) **CLAIM**

The ornamental design for a garage door rodent guard, as shown and described.

DESCRIPTION

FIG. 1 is a perspective view of the garage door rodent guard in full lines.
FIG. 2 is a front elevational view of the garage door rodent guard.
FIG. 3 is a rear elevational view thereof.
FIG. 4 is a top plan view thereof.
FIG. 5 is a bottom plan view thereof.
FIG. 6 is a right side elevational view thereof; and,
FIG. 7 is a left side elevational view thereof.

1 Claim, 4 Drawing Sheets



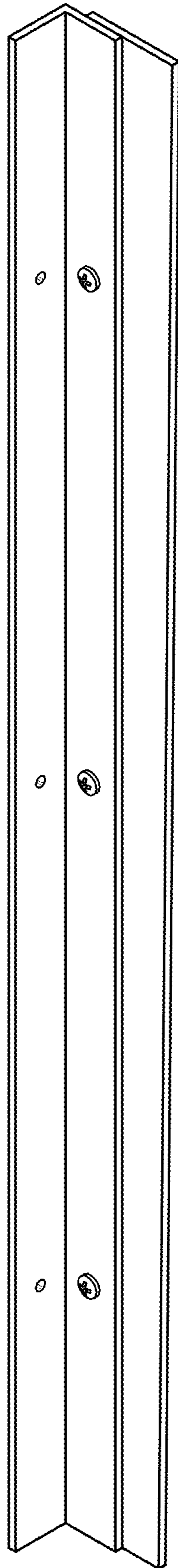


FIG. 1

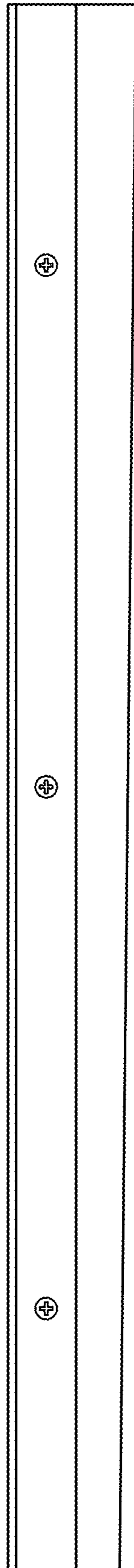


FIG. 2

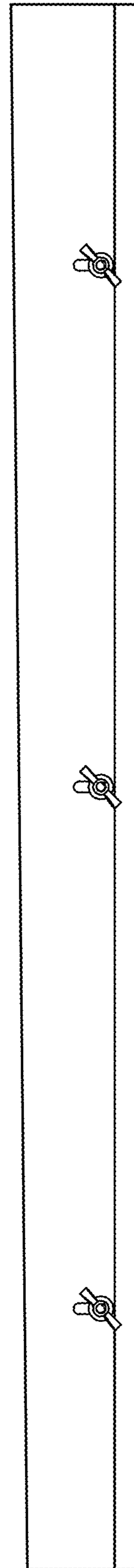


FIG. 3

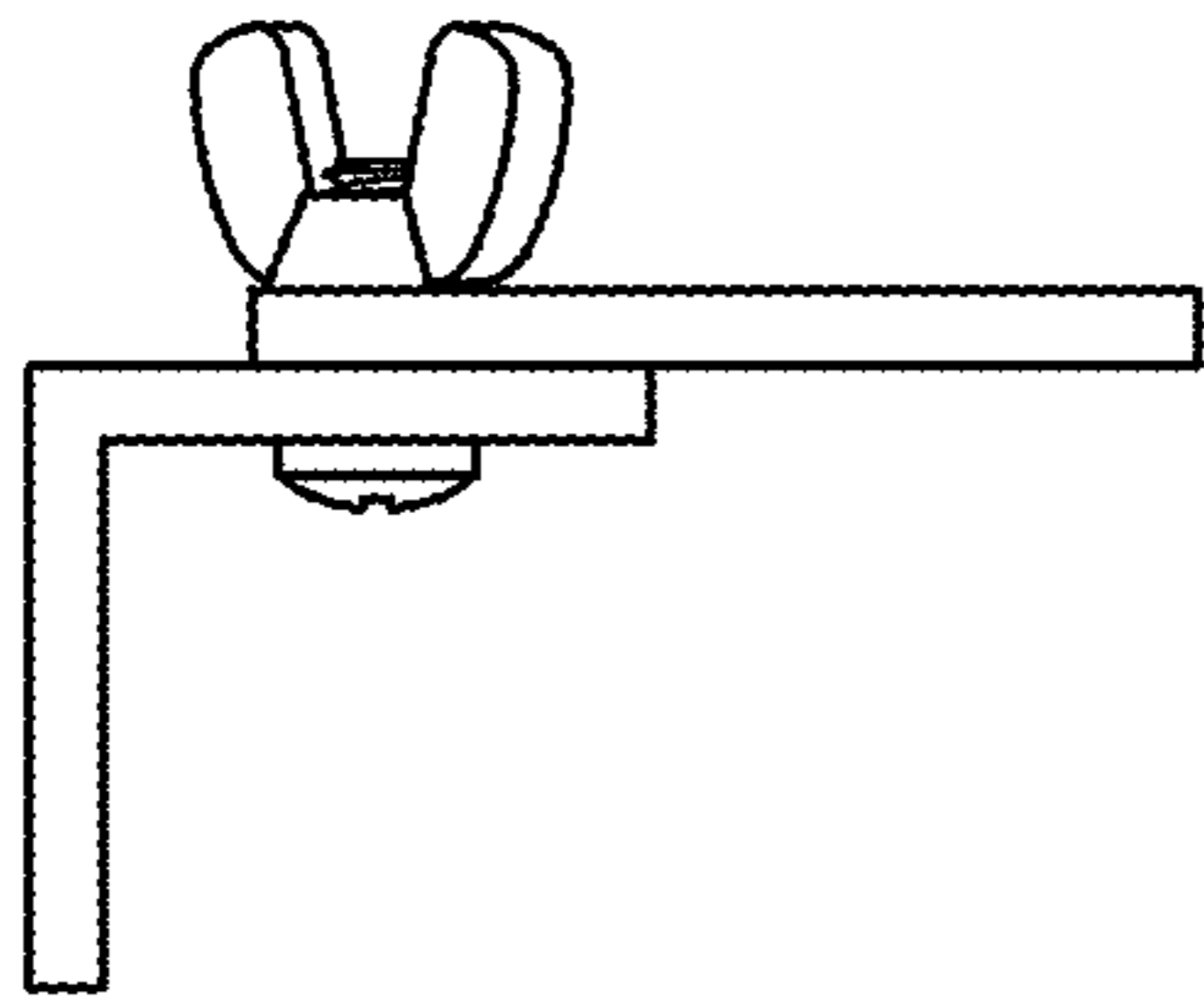


FIG. 4

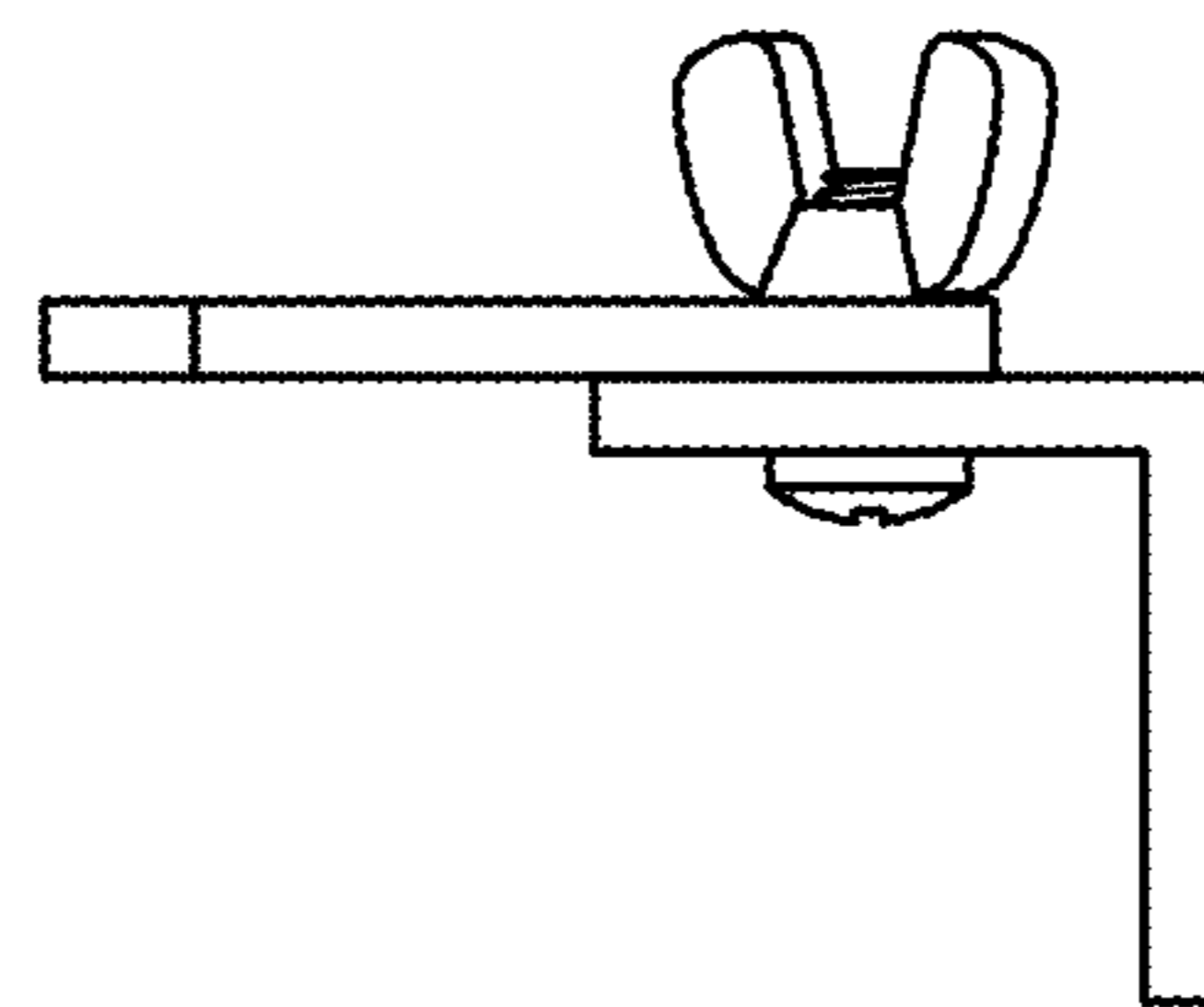


FIG. 5

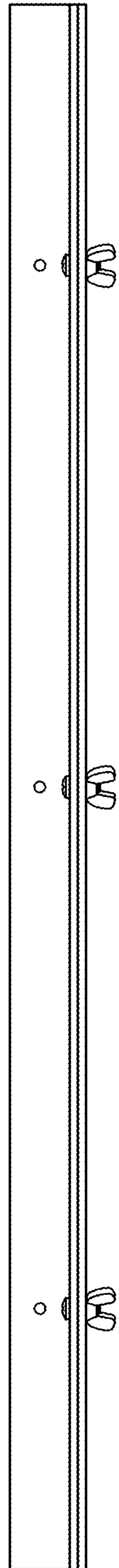


FIG. 6

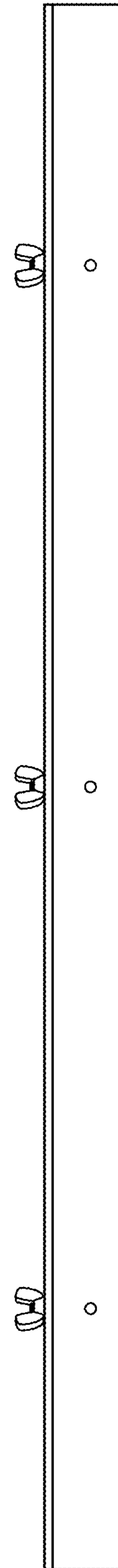


FIG. 7