



US00D877932S

(12) **United States Design Patent**  
**Saltijeral**

(10) **Patent No.:** **US D877,932 S**  
(45) **Date of Patent:** **\*\* Mar. 10, 2020**

(54) **SECURITY FENCE**  
(71) Applicant: **Industrial Fence, Inc.**, Chicago, IL  
(US)

D535,406 S \* 1/2007 Martin ..... D25/48.8  
7,347,412 B1 3/2008 Zhu  
7,360,754 B2 4/2008 Robbins  
(Continued)

(72) Inventor: **Miguel A Saltijeral**, Oswego, IL (US)

**FOREIGN PATENT DOCUMENTS**

(73) Assignee: **Industrial Fence, Inc.**, Chicago, IL  
(US)

JP D1415670 \* 6/2011  
KR 300888036.0000 \* 12/2016  
(Continued)

(\*\*) Term: **15 Years**

**OTHER PUBLICATIONS**

(21) Appl. No.: **29/642,065**

Industrial Fence Products and Services <https://www.industrialfenceinc.com/products-services-1> Retrieved Jul. 23, 2019 (Year: 2019).\*

(22) Filed: **Mar. 27, 2018**

(51) **LOC (12) Cl.** ..... **25-01**

(52) **U.S. Cl.**  
USPC ..... **D25/38.1**

(58) **Field of Classification Search**  
USPC ..... D25/38.1, 39, 42, 43, 44, 45, 138  
CPC ... E04H 17/003; E04H 17/163; E04H 17/166;  
E04H 17/14; E04H 17/1408; E04H  
17/1417

*Primary Examiner* — Leanne Was-Englehart  
(74) *Attorney, Agent, or Firm* — Advitam IP, LLC

(57) **CLAIM**

The ornamental design for a security fence, as shown and described.

See application file for complete search history.

**DESCRIPTION**

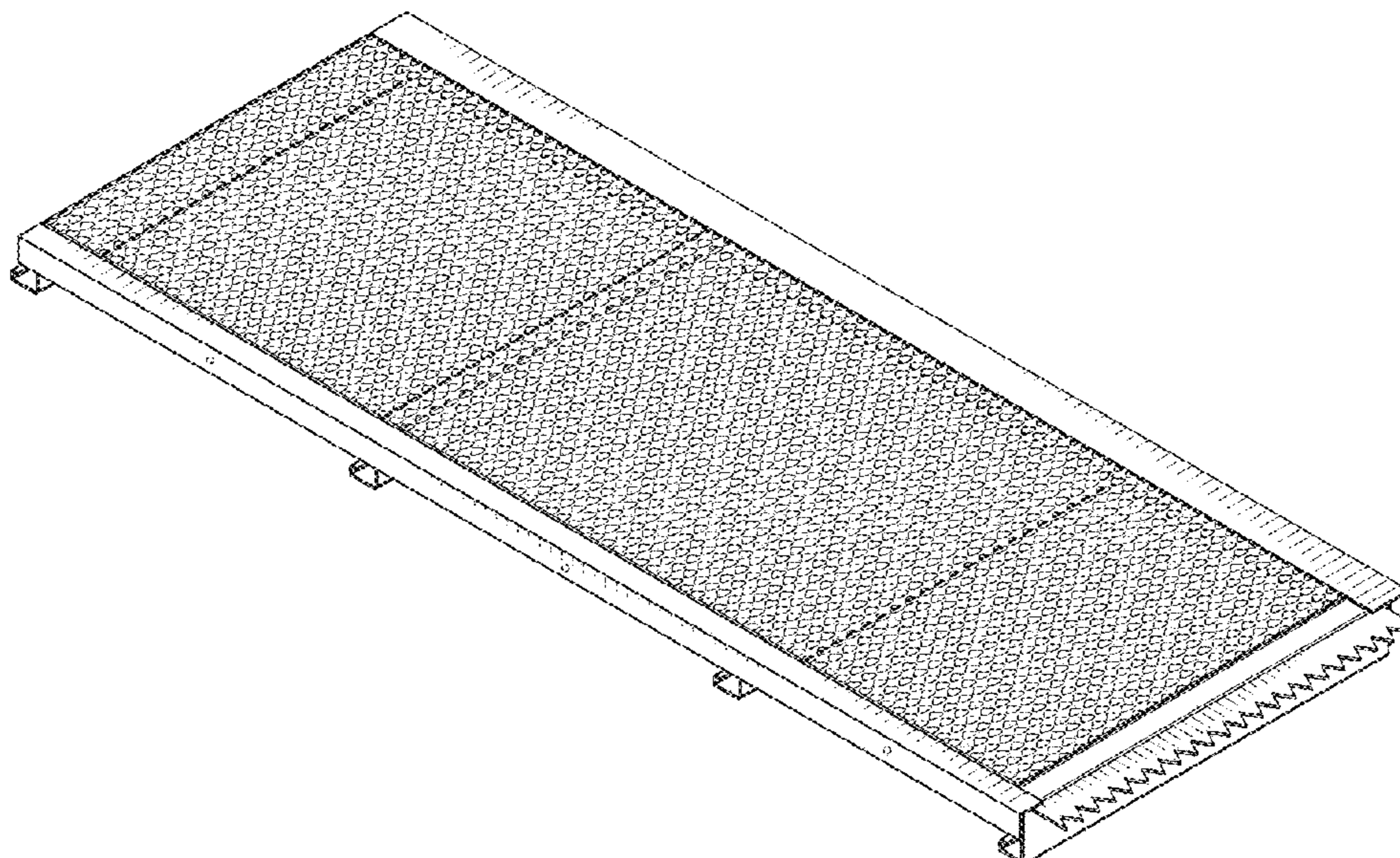
(56) **References Cited**

**U.S. PATENT DOCUMENTS**

1,991,532 A \* 2/1935 Wicker ..... A47G 5/00  
160/379  
D103,817 S \* 3/1937 Fitzgerald ..... D25/155  
2,823,034 A \* 2/1958 Bingham, Jr. .... A63B 71/022  
473/421  
3,385,567 A 5/1968 Case et al.  
3,770,245 A 11/1973 Murdock  
D262,827 S \* 1/1982 Reinhard ..... D25/38.1  
4,930,752 A 6/1990 Wolper  
D356,380 S \* 3/1995 Reinklou ..... D25/38.1  
5,556,080 A 9/1996 Vise  
5,718,414 A 2/1998 Deloach et al.  
D410,289 S \* 5/1999 Howard ..... D25/38.1  
6,581,914 B2 6/2003 Saura Sotillos

FIG. 1 is a front perspective view of the security fence;  
FIG. 2 is a front view of the security fence;  
FIG. 3 is a rear view of the security fence;  
FIG. 4 is a left-side view of the security fence;  
FIG. 5 is a right-side view of the security fence;  
FIG. 6 is a top view of the security fence;  
FIG. 7 is a bottom view of the security fence;  
FIG. 8 is a front view of the security fence, as shown in FIG. 2, in position adjacent to others of the security fence; and, FIG. 9 is a rear view of the security fence, as shown in FIG. 3, in position adjacent to others of the security fence.  
The broken lines showing of items in FIG.'s 1, 4, 5 and 6 depict portions of the article that form no part of the claimed design. The broken lines showing of items in FIG.'s 8 and 9 depict the environment of the claimed design.

**1 Claim, 7 Drawing Sheets**



(56)

**References Cited**

U.S. PATENT DOCUMENTS

D635,275	S *	3/2011	Nissenbaum .....	D25/38.1
D666,308	S *	8/2012	Sanchez .....	D25/48.8
D675,341	S *	1/2013	Cochrane .....	D25/38.1
8,631,551	B1	1/2014	Payne	
8,910,925	B2	12/2014	Payne	
D746,484	S *	12/2015	Nissenbaum .....	D25/38.1
D757,296	S *	5/2016	Rodenburg .....	D25/38.1
D826,427	S *	8/2018	Filiba .....	D25/45
D828,579	S *	9/2018	Saltijeral .....	D25/42
2007/0272909	A1 *	11/2007	Payne .....	E04H 17/161 256/47
2008/0011993	A1 *	1/2008	Sadinsky .....	E04H 17/161 256/25
2008/0185565	A1	8/2008	Major et al.	
2013/0214227	A1	8/2013	Salisbury	
2014/0339486	A1	11/2014	Sharp et al.	
2017/0009523	A1 *	1/2017	Grewal .....	E06B 9/52
2018/0128010	A1 *	5/2018	Saltijeral .....	E04H 17/163
2018/0283043	A1 *	10/2018	Shepherd .....	E04H 17/20

FOREIGN PATENT DOCUMENTS

KR	300912553.0000	*	7/2017
WO	2008154676		12/2008

\* cited by examiner

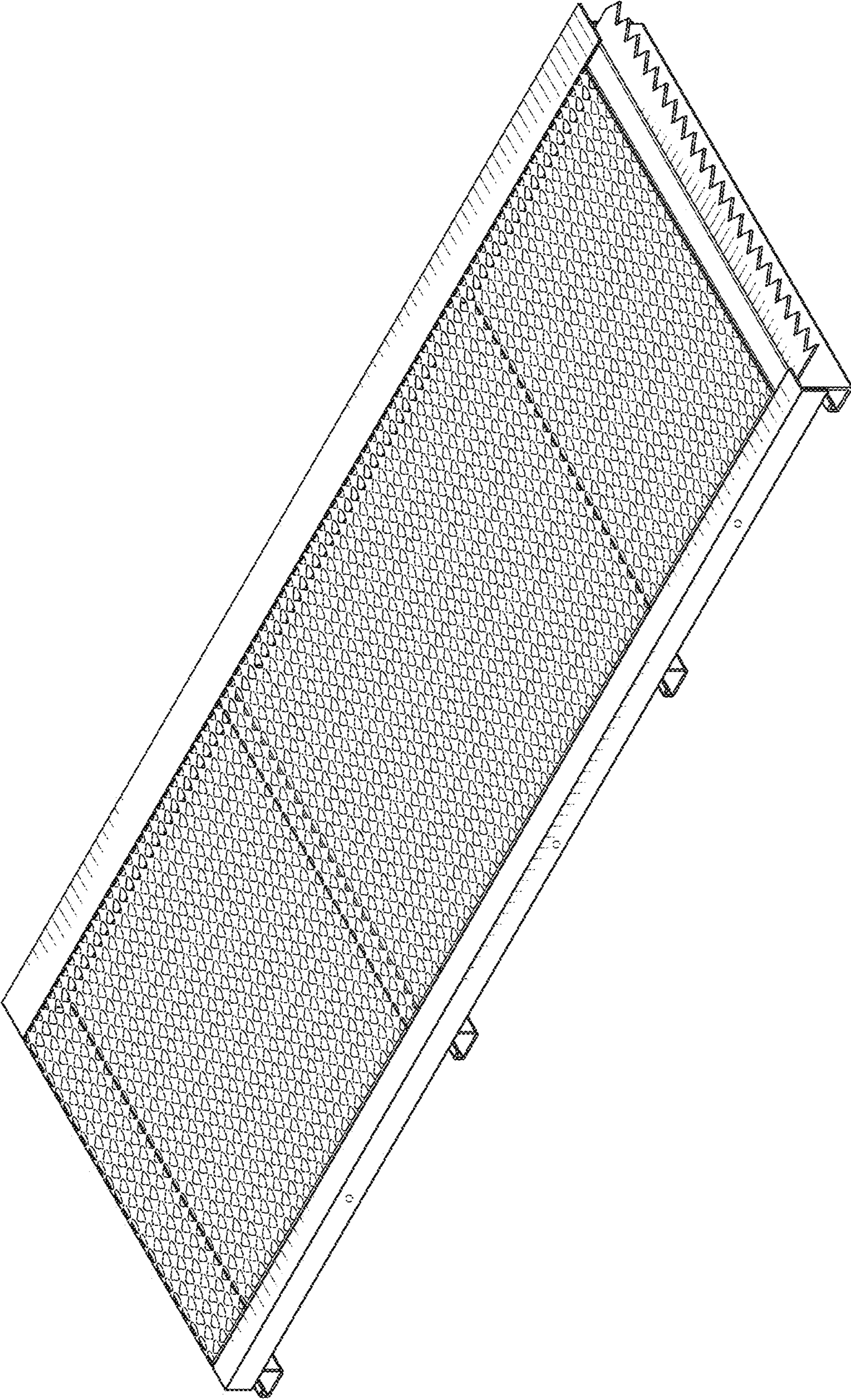


FIG. 1

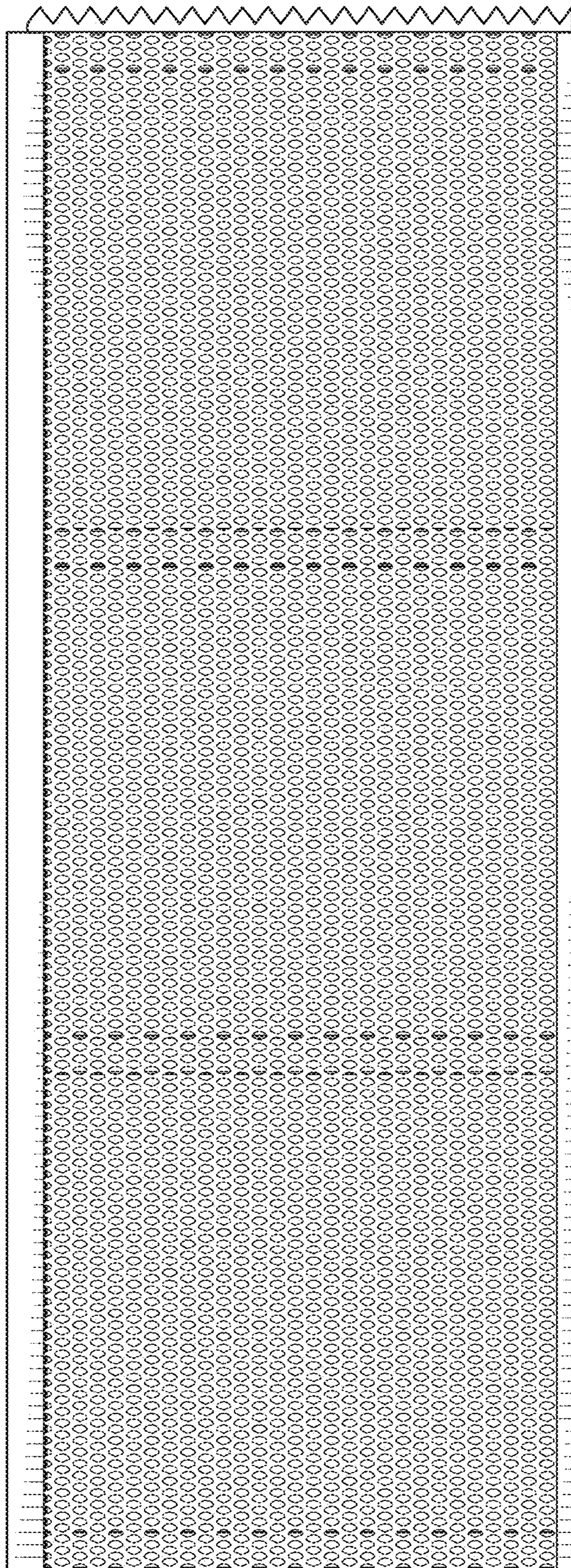


FIG. 2

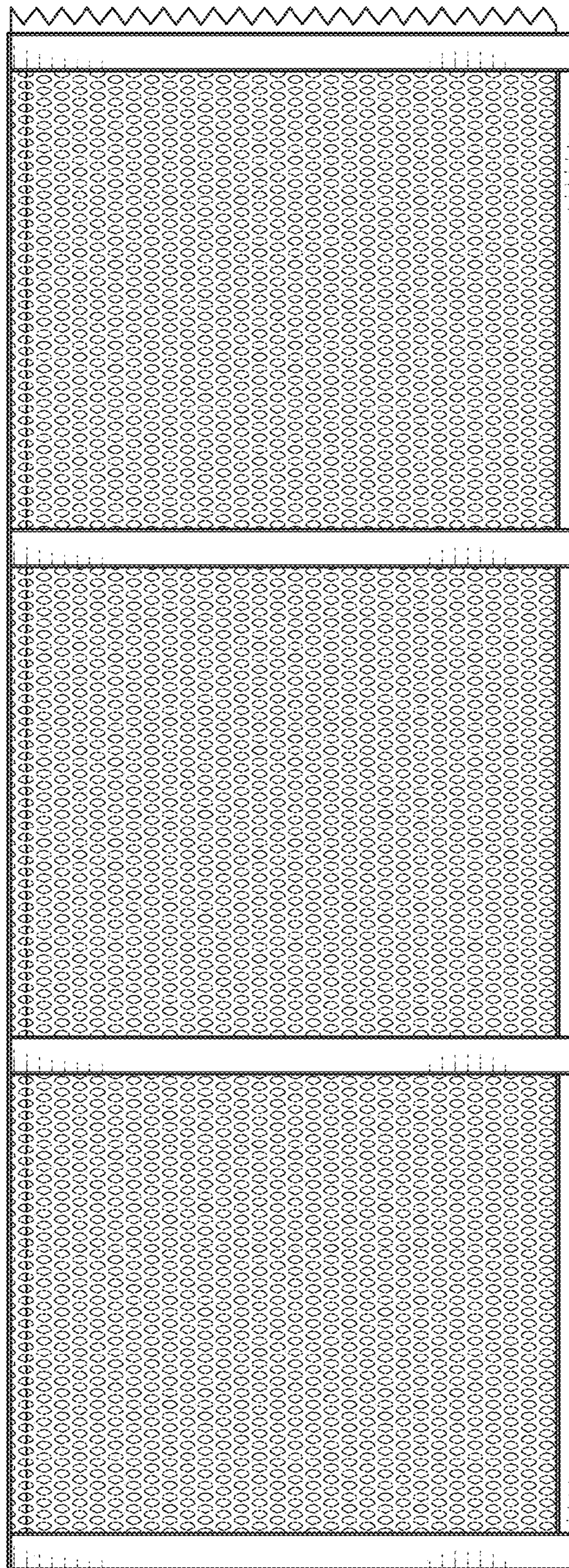


FIG. 3

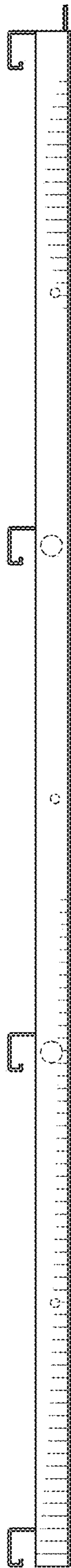


FIG. 4

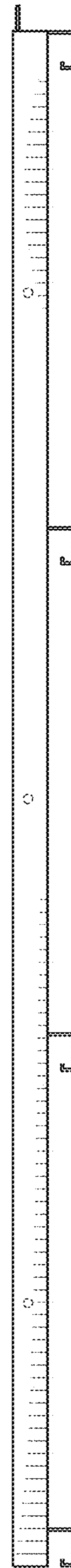


FIG. 5



FIG. 6

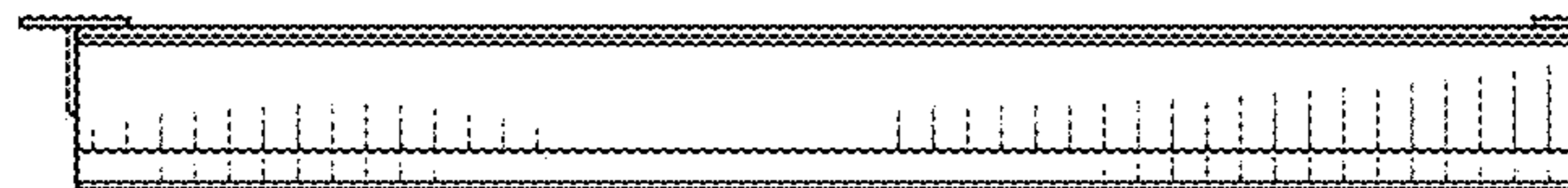


FIG. 7

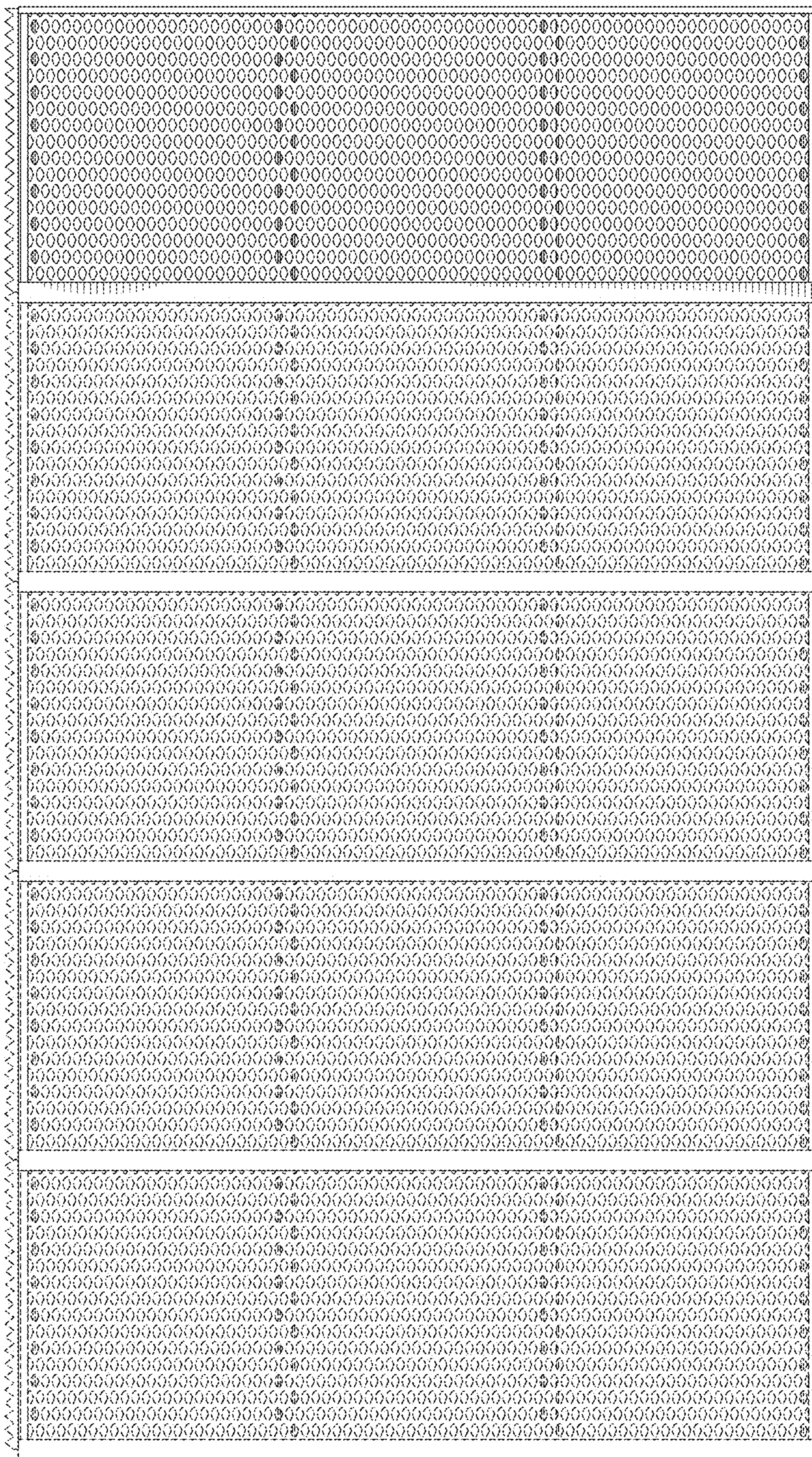


FIG. 8



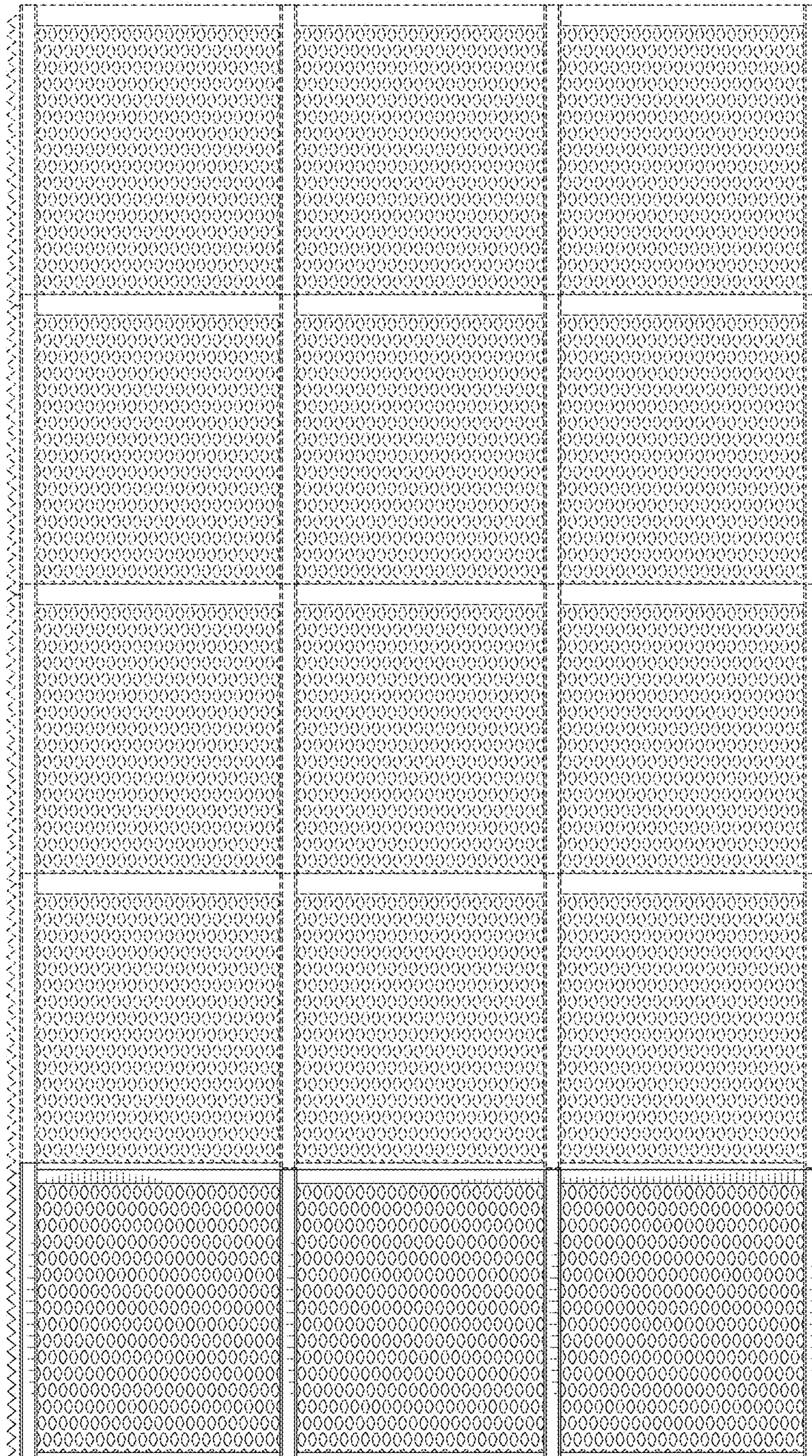


FIG. 9