



US00D877930S

(12) **United States Design Patent** (10) **Patent No.:** **US D877,930 S**  
**Santamarta** (45) **Date of Patent:** **\*\* Mar. 10, 2020**

(54) **CONTAINER**

(71) Applicant: **Unipharma, LLC**, Tamarac, FL (US)

(72) Inventor: **Raimundo Jose Santamarta**, Aventura, FL (US)

(73) Assignee: **Unipharma, LLC**, Tamarac, FL (US)

(\*\*) Term: **15 Years**

(21) Appl. No.: **29/672,508**

(22) Filed: **Dec. 6, 2018**

(51) **LOC (12) Cl.** ..... **24-01**

(52) **U.S. Cl.**  
USPC ..... **D24/224**

(58) **Field of Classification Search**  
USPC ..... D24/216, 223–233, 186, 107, 121;  
D10/81  
CPC ..... B01L 3/50; B01L 3/5021; B01L 3/5082;  
B01L 3/50825; B01L 3/523; B04B  
5/0414; C12M 1/16; A61B 10/0096  
See application file for complete search history.

(56) **References Cited**

**U.S. PATENT DOCUMENTS**

D330,429 S \* 10/1992 Lewis ..... D24/224  
5,422,273 A \* 6/1995 Garrison ..... A61B 10/0291  
422/547  
D402,766 S \* 12/1998 Smith ..... D24/227  
D445,908 S \* 7/2001 Conway ..... D24/216

D457,645 S \* 5/2002 Eden ..... D24/224  
D507,351 S \* 7/2005 Birnboim ..... D24/216  
D516,223 S \* 2/2006 Smith ..... D24/224  
D629,915 S \* 12/2010 Chia ..... D24/224  
D634,440 S \* 3/2011 Svard ..... D24/224  
D696,398 S \* 12/2013 Blanco ..... D24/127  
D790,726 S \* 6/2017 Plante ..... D24/121  
D827,153 S \* 8/2018 Bantug ..... D24/227  
D857,915 S \* 8/2019 Sakai ..... D24/224

\* cited by examiner

*Primary Examiner* — Anhdao Doan

(74) *Attorney, Agent, or Firm* — Ralph D. Chabot

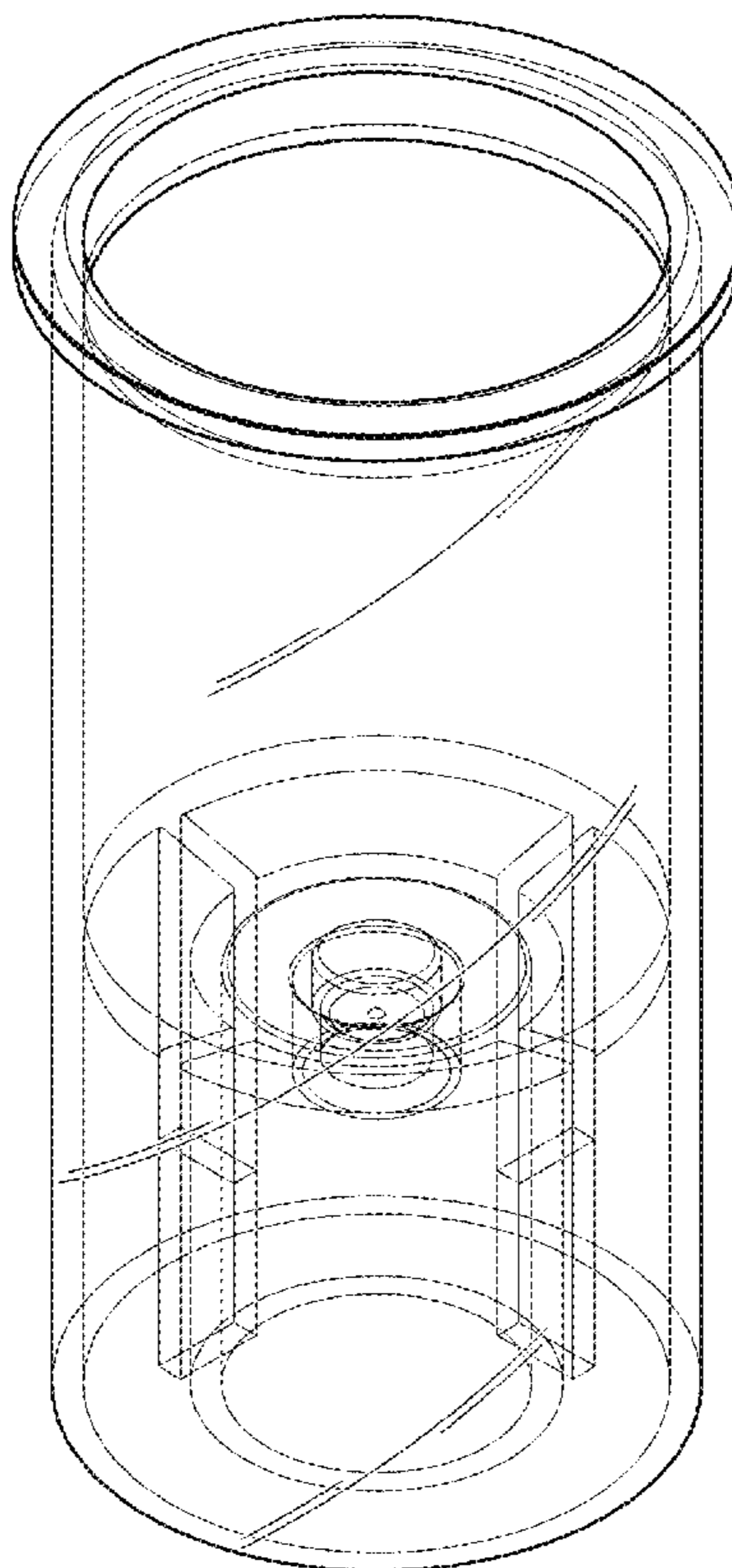
(57) **CLAIM**

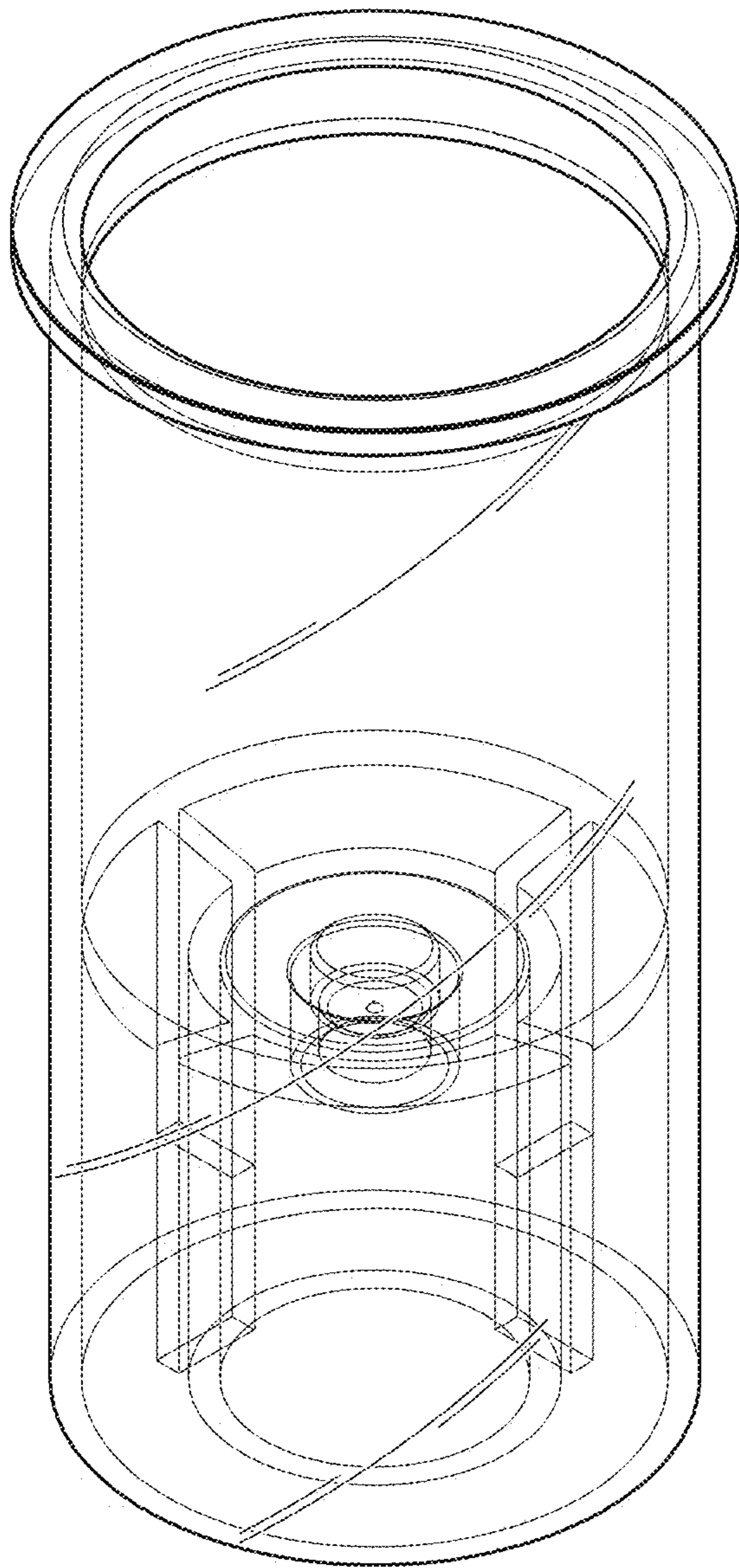
The ornamental design for a container, as shown and described.

**DESCRIPTION**

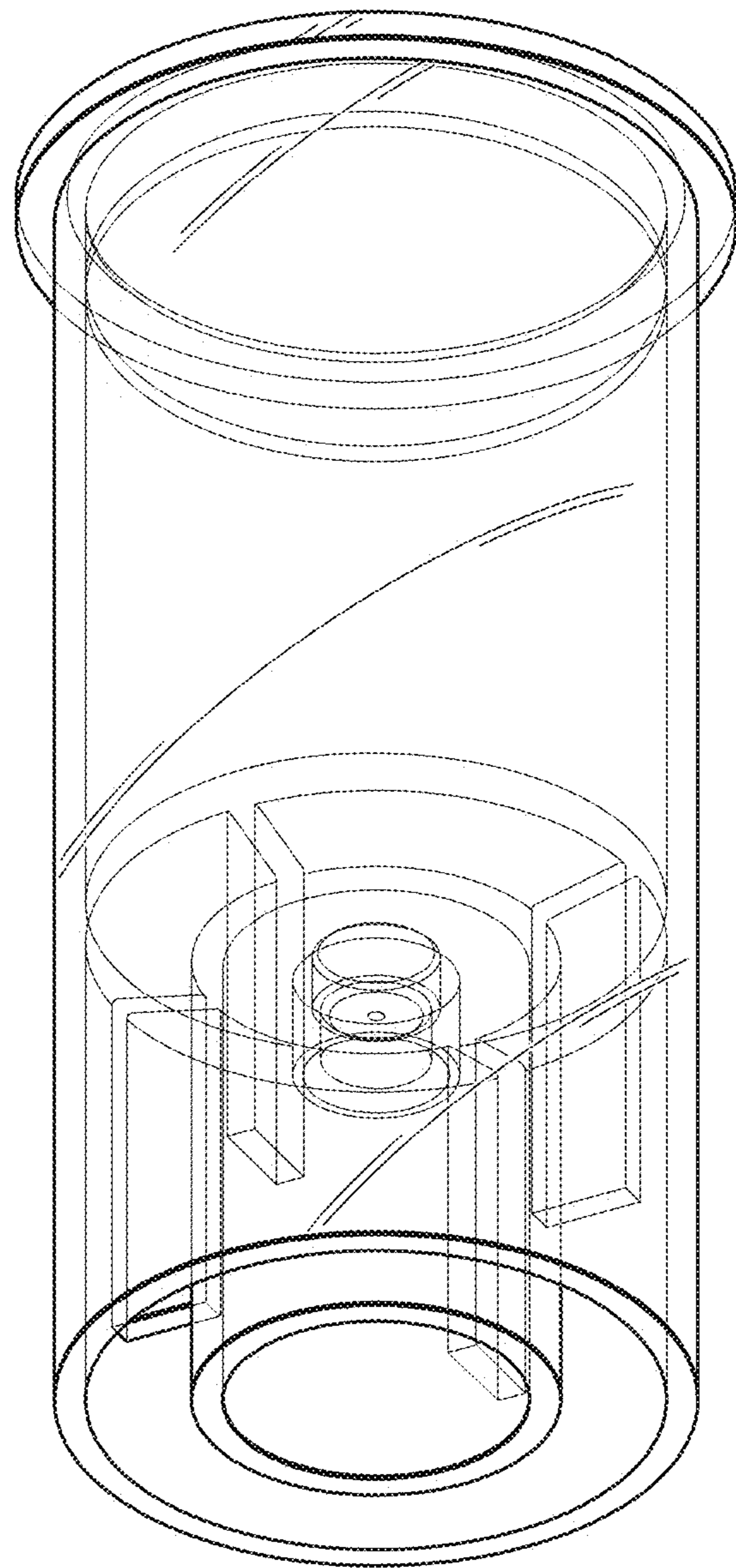
FIG. 1 is a top, front, right side perspective view  
FIG. 2 is a bottom, rear, left side perspective view  
FIG. 3 is a front elevation view, the rear, left and right side elevation views being identical  
FIG. 4 is a top plan view  
FIG. 5 is a bottom plan view  
FIG. 6 is a cross-section view taken along line 6-6 of FIG. 3; and,  
FIG. 7 is a cross-section view taken along line 7-7 of FIG. 3.

**1 Claim, 4 Drawing Sheets**





*FIG. 1*



*FIG. 2*

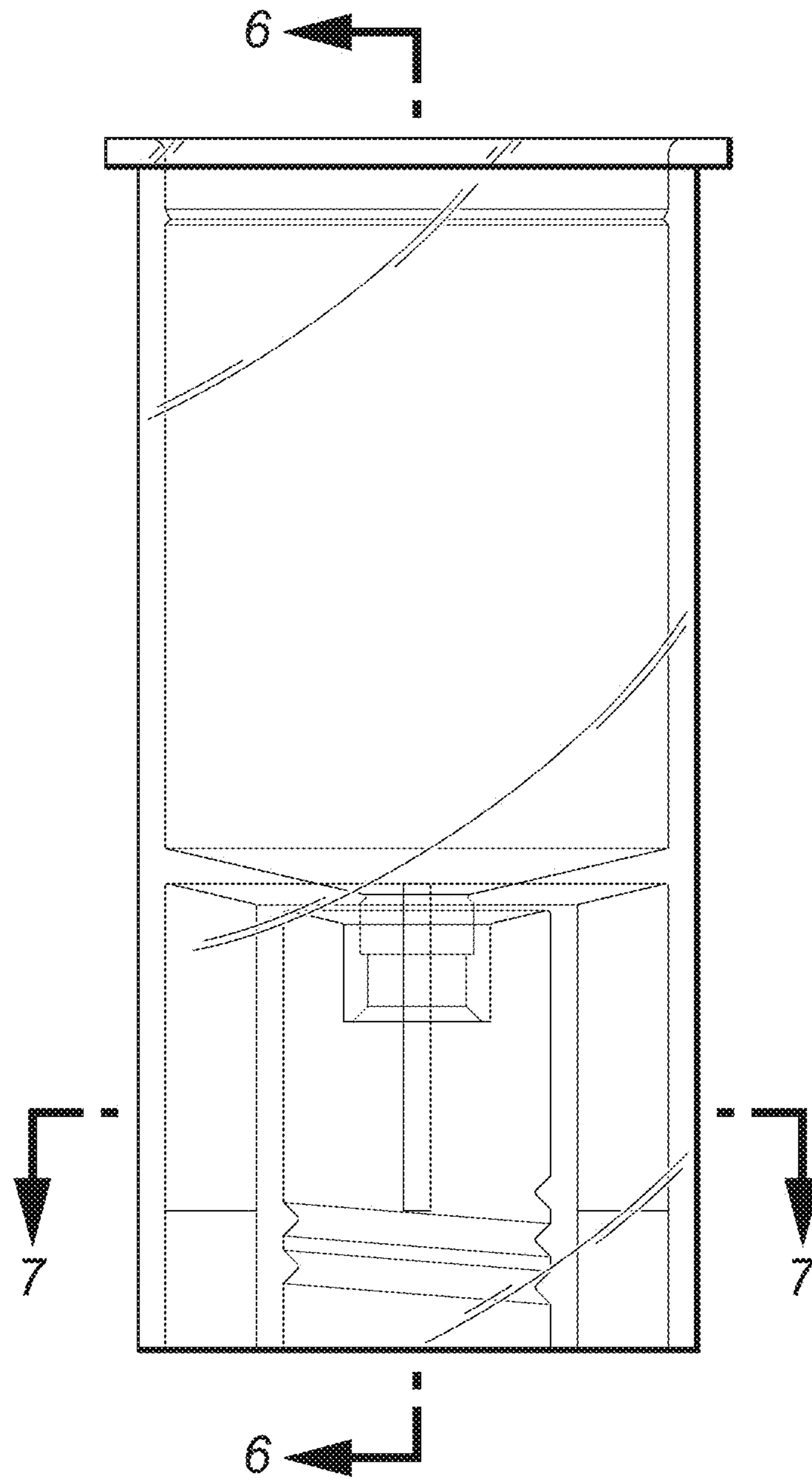
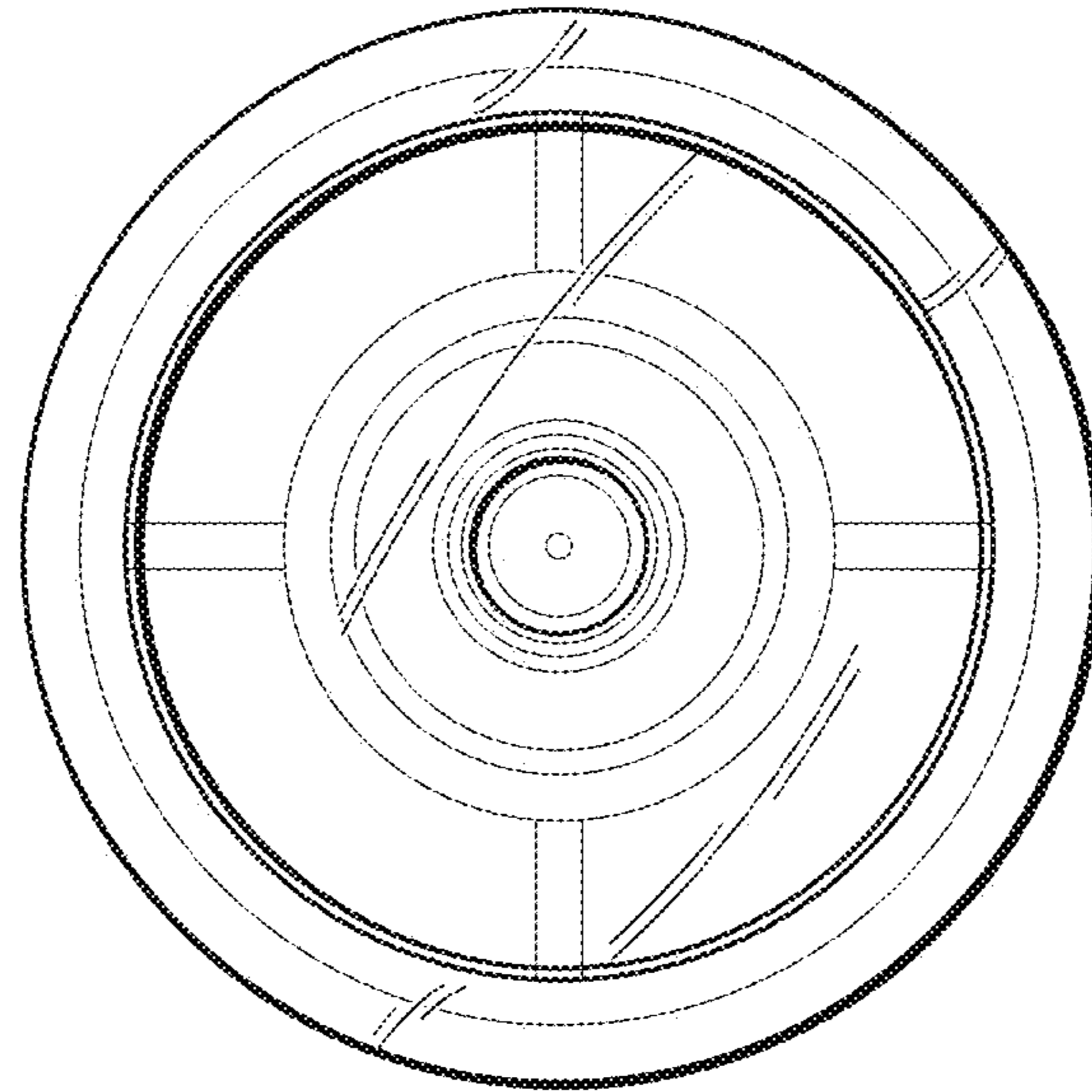
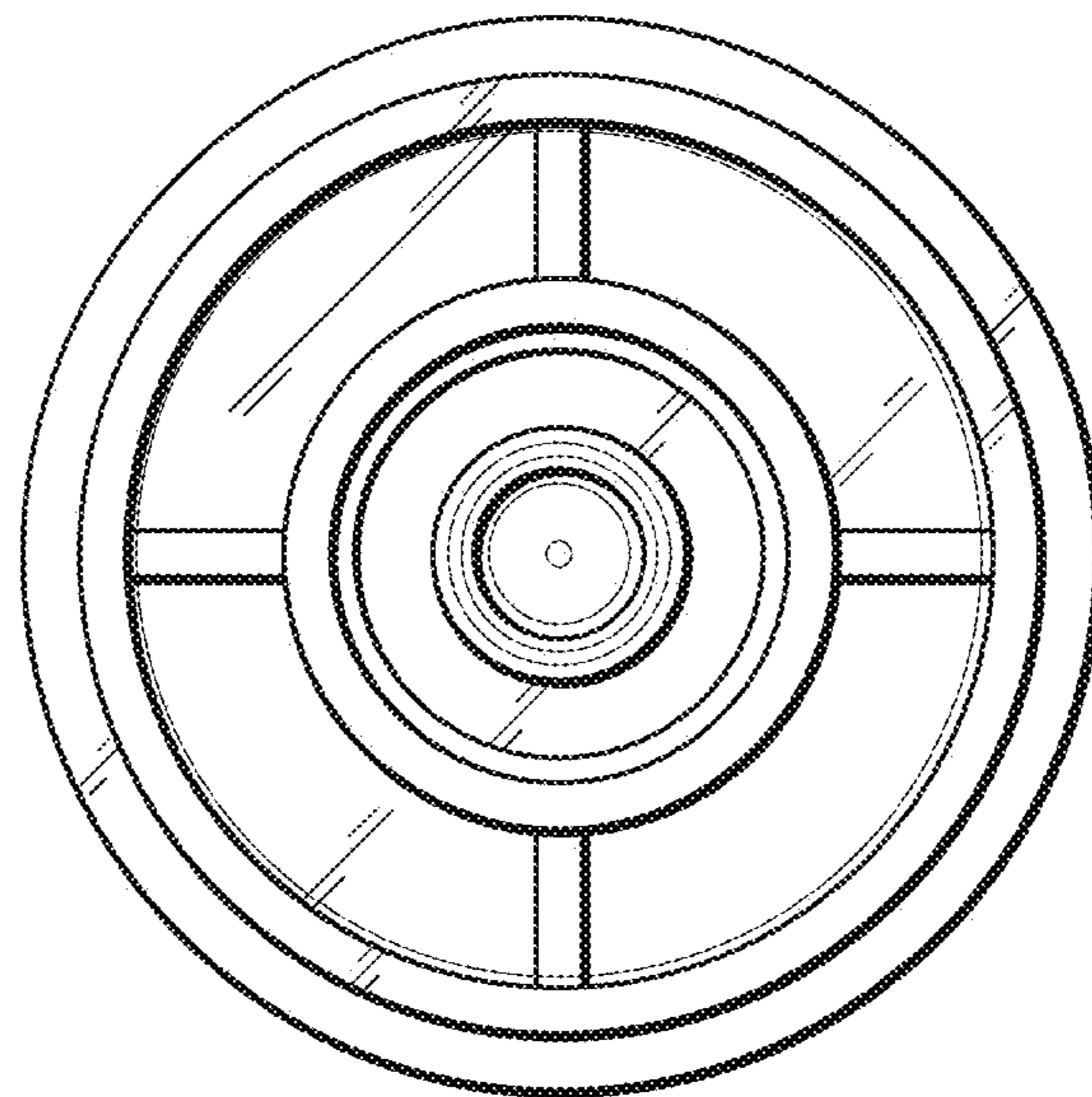


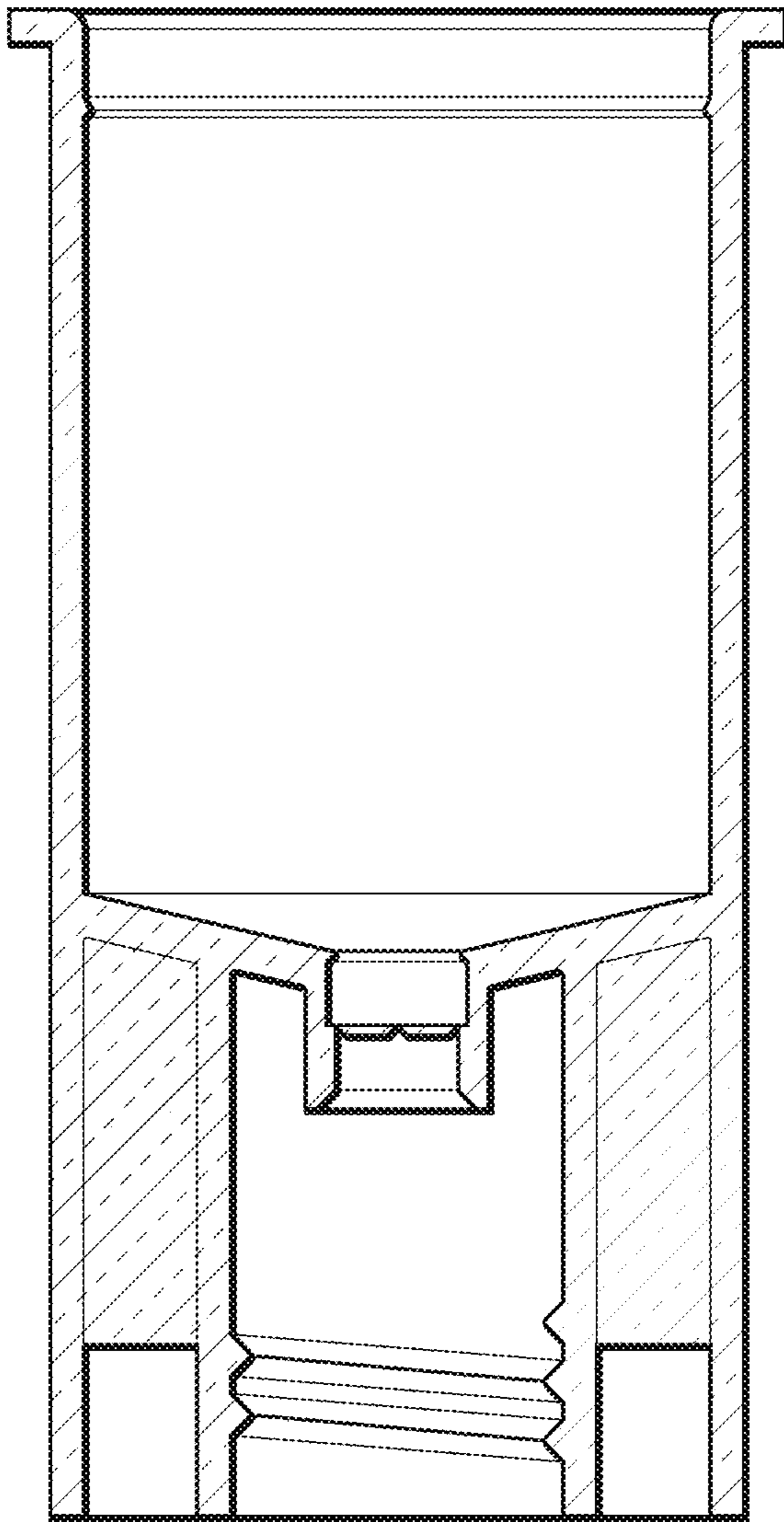
FIG. 3



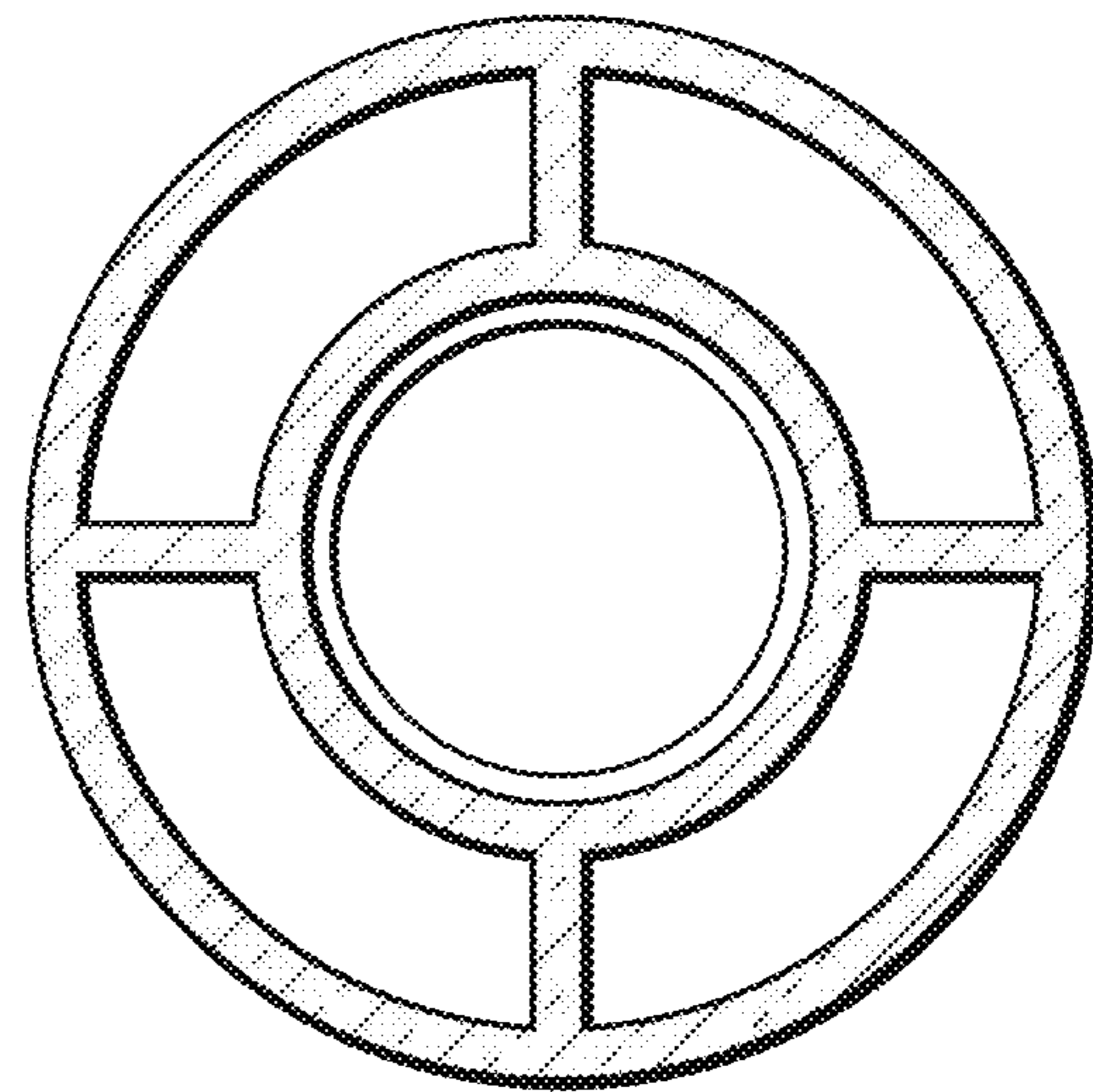
*FIG. 4*



*FIG. 5*



*FIG. 6*



*FIG. 7*

UNITED STATES PATENT AND TRADEMARK OFFICE  
**CERTIFICATE OF CORRECTION**

PATENT NO. : D877,930 S  
APPLICATION NO. : 29/672508  
DATED : March 10, 2020  
INVENTOR(S) : Santamarta

Page 1 of 2

It is certified that error appears in the above-identified patent and that said Letters Patent is hereby corrected as shown below:

On the Title Page

The error in Fig. 1 in which threading should be included near the bottom to reflect what is shown in Figs. 3 and 6.

In the Drawings

In Fig. 1, threading should be included near the bottom to reflect what is shown in Figs. 3 and 6 as shown on the attached drawing sheet.

In Fig. 2, threading should be included near the bottom to reflect what is shown in Figs. 3 and 6 as shown on the attached drawing sheet.

Signed and Sealed this  
Twenty-first Day of September, 2021



Drew Hirshfeld  
*Performing the Functions and Duties of the  
Under Secretary of Commerce for Intellectual Property and  
Director of the United States Patent and Trademark Office*

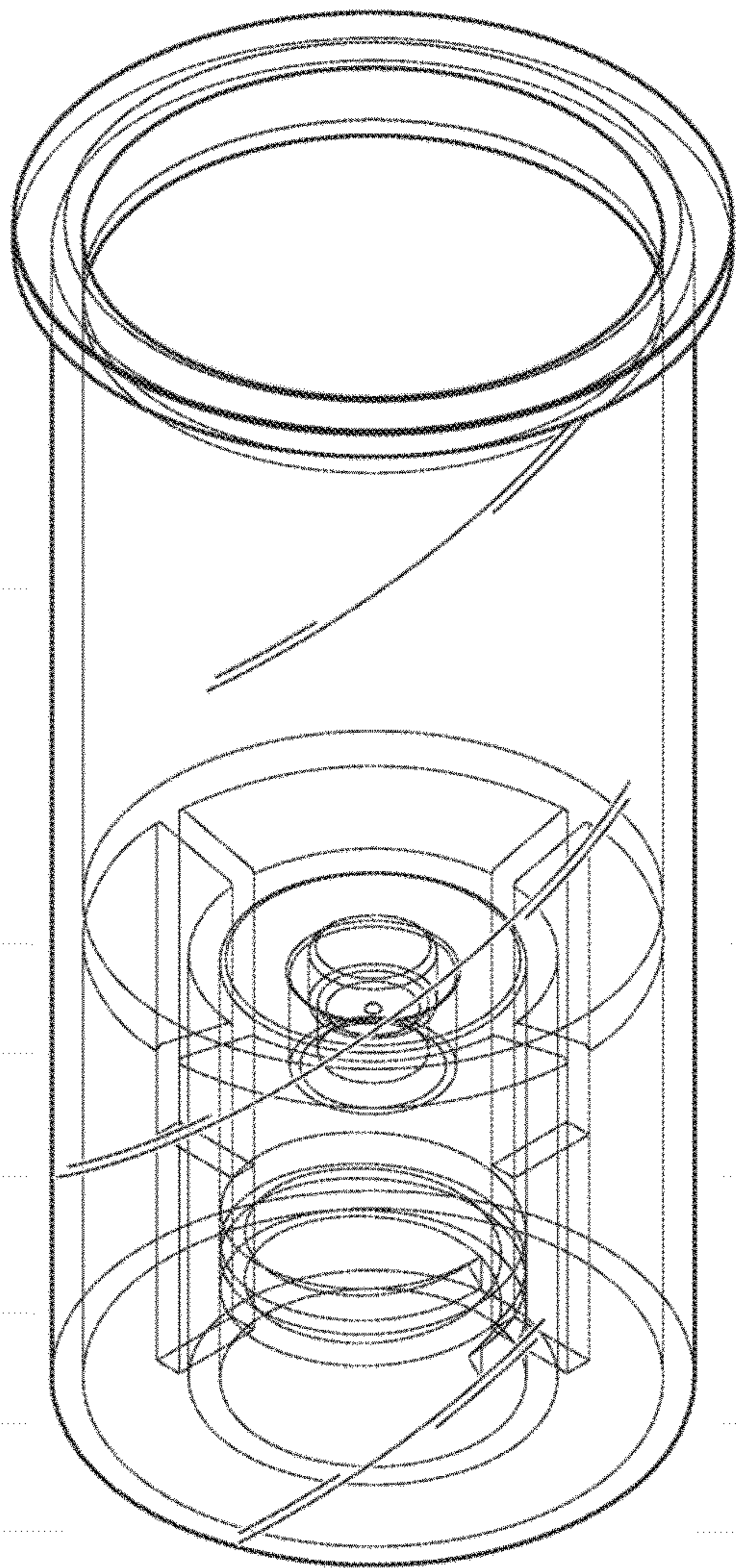


FIG. 1

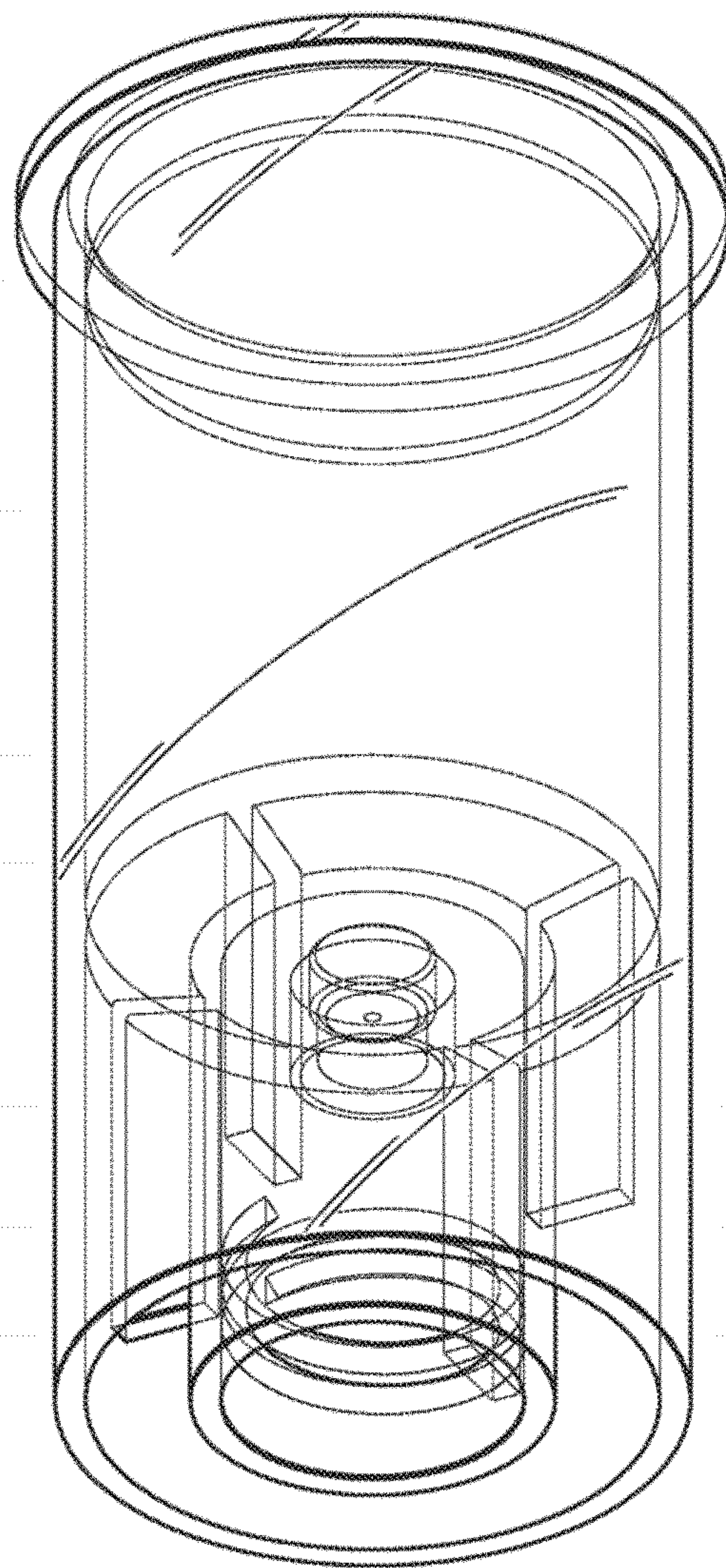


FIG. 2