



US00D877928S

(12) **United States Design Patent**  
**Nathan**

(10) **Patent No.:** **US D877,928 S**  
(45) **Date of Patent:** **\*\* Mar. 10, 2020**

- (54) **STERILIZATION DEVICE**
- (71) Applicant: **Violet Defense Technology, Inc.**,  
Celebration, FL (US)
- (72) Inventor: **Mark Nathan**, Harmony, FL (US)
- (73) Assignee: **Violet Defense Technology, Inc.**,  
Orlando, FL (US)
- (\*\*) Term: **15 Years**
- (21) Appl. No.: **29/653,566**
- (22) Filed: **Jun. 15, 2018**
- (51) **LOC (12) Cl.** ..... **24-01**
- (52) **U.S. Cl.**  
USPC ..... **D24/217**
- (58) **Field of Classification Search**  
USPC ..... D24/200, 209–213, 217–219, 224–232,  
D24/186, 107, 108; D23/366; D32/1,  
D32/25; D28/44, 73; 422/24, 26, 27,  
422/307; 250/455.11  
CPC ..... A61L 2/26; A61L 2/24; A61L 2/17; A61L  
2/18; A61L 2/025; A61L 2/10; A61L  
2/084; A61L 2202/122; A61L 2202/10;  
A61L 2202/11; A61L 2202/14; A61L  
2202/23; A61L 2202/24; A61L 2202/182;  
C02F 1/32; C02F 1/325; A61H 15/00;  
A61H 15/0007; A61H 2015/0042; A63B  
43/06  
See application file for complete search history.

(56) **References Cited**

**U.S. PATENT DOCUMENTS**

- D615,661 S \* 5/2010 Brunelle ..... D24/200
- D683,503 S \* 5/2013 Helm ..... D32/1
- D716,964 S \* 11/2014 Amor ..... D24/217
- D799,713 S \* 10/2017 Murphy ..... D24/217

- D848,635 S \* 5/2019 Davis ..... D24/217
- 2007/0292324 A1 \* 12/2007 Jonsson ..... A61L 2/26  
422/292
- 2014/0299554 A1 \* 10/2014 Britenstine ..... C02F 1/325  
210/748.11
- 2015/0157755 A1 \* 6/2015 Ellis ..... A61L 9/00  
422/122
- 2018/0193500 A1 \* 7/2018 Safavi ..... B01L 9/543
- 2018/0311386 A1 \* 11/2018 Hawkins ..... H05B 33/0857
- 2018/0353889 A1 \* 12/2018 Turbett ..... A61L 2/07
- 2019/0116818 A1 \* 4/2019 Snowball ..... B08B 3/12

\* cited by examiner

*Primary Examiner* — Barbara Fox

*Assistant Examiner* — Mary Shannon Malley

(74) *Attorney, Agent, or Firm* — Foley & Lardner LLP

(57) **CLAIM**

The ornamental design for a sterilization device, as shown and described.

**DESCRIPTION**

FIG. 1 is a top perspective view of a sterilization device showing the new design.

FIG. 2 is a right side elevation view of the sterilization device.

FIG. 3 is a left side elevation view of the sterilization device.

FIG. 4 is a top view of the sterilization device.

FIG. 5 is a bottom view of the sterilization device.

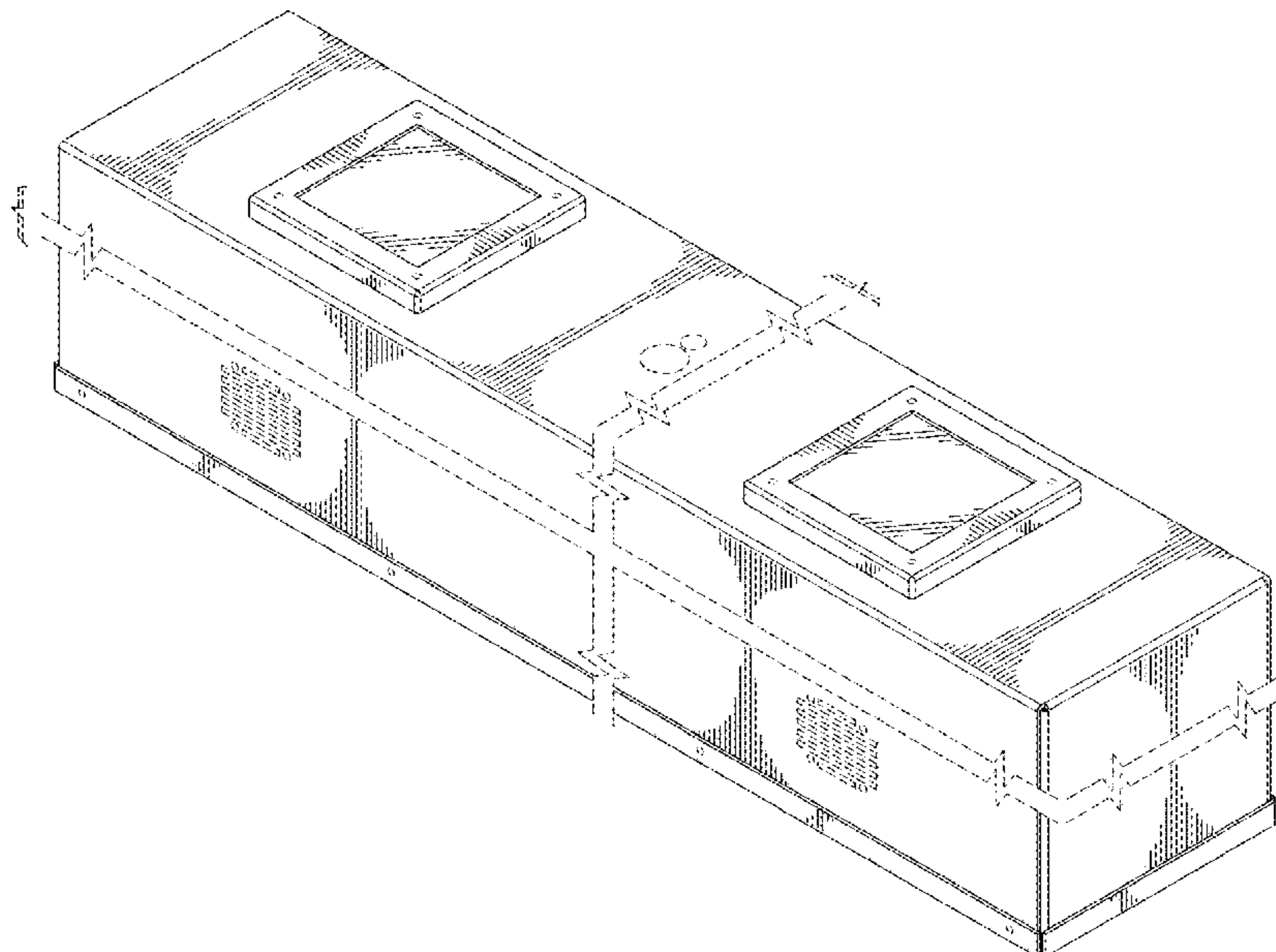
FIG. 6 is a front plan view of the sterilization device.

FIG. 7 is a rear plan view of the sterilization device; and, FIG. 8 is a rear perspective view of the sterilization device.

The broken lines in the drawings depict portions of the sterilization device that form no part of the claimed design.

The sterilization device is shown with a symbolic break in length, the appearance of any portion of the article between the break lines forms no part of the claimed design.

**1 Claim, 5 Drawing Sheets**



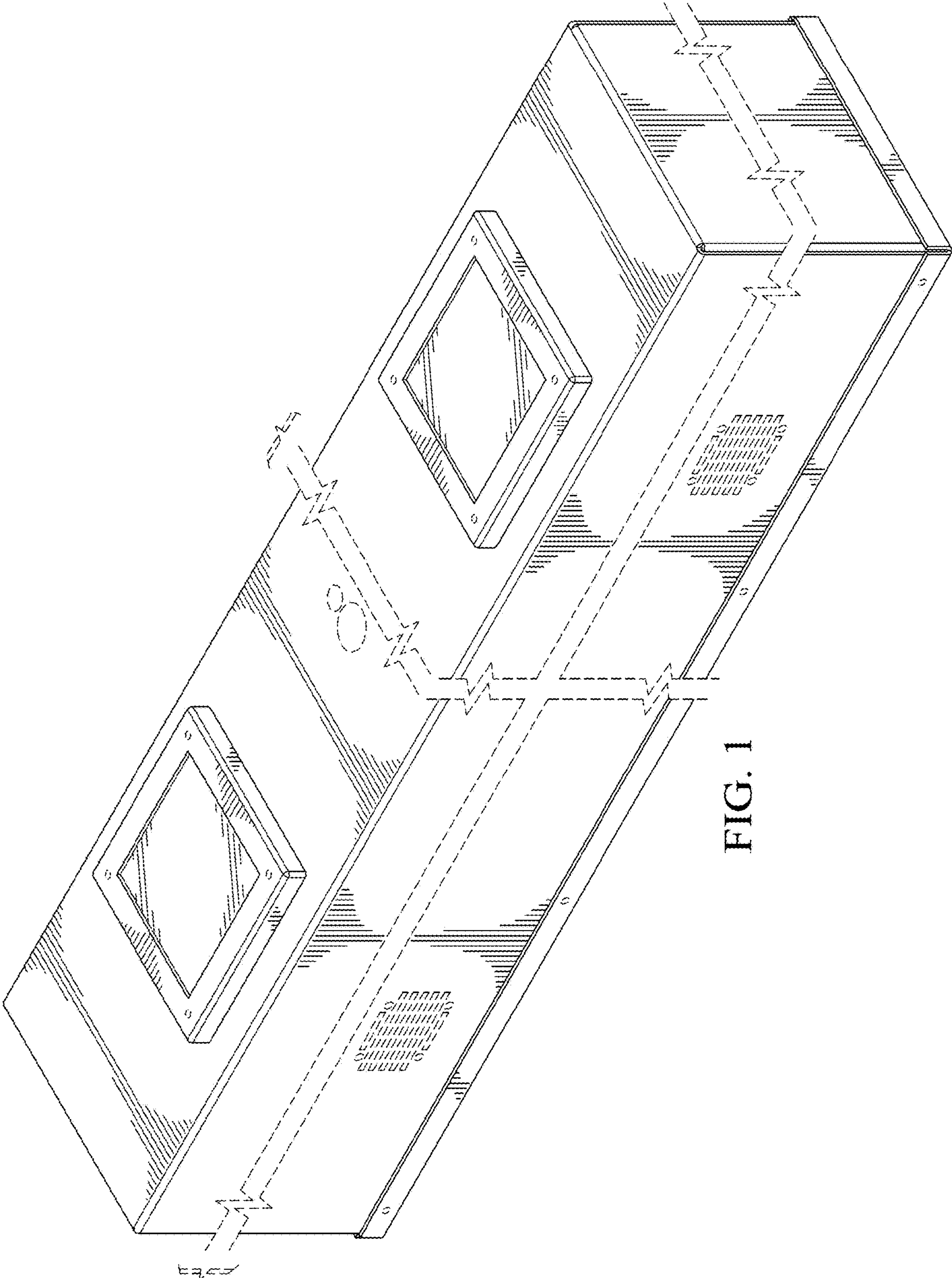


FIG. 1

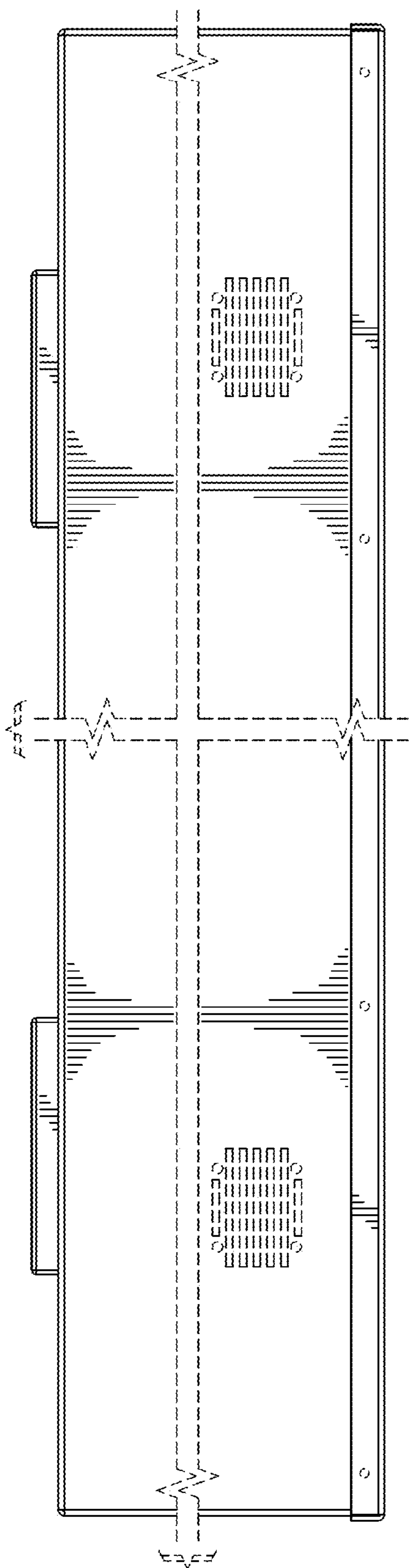


FIG. 2

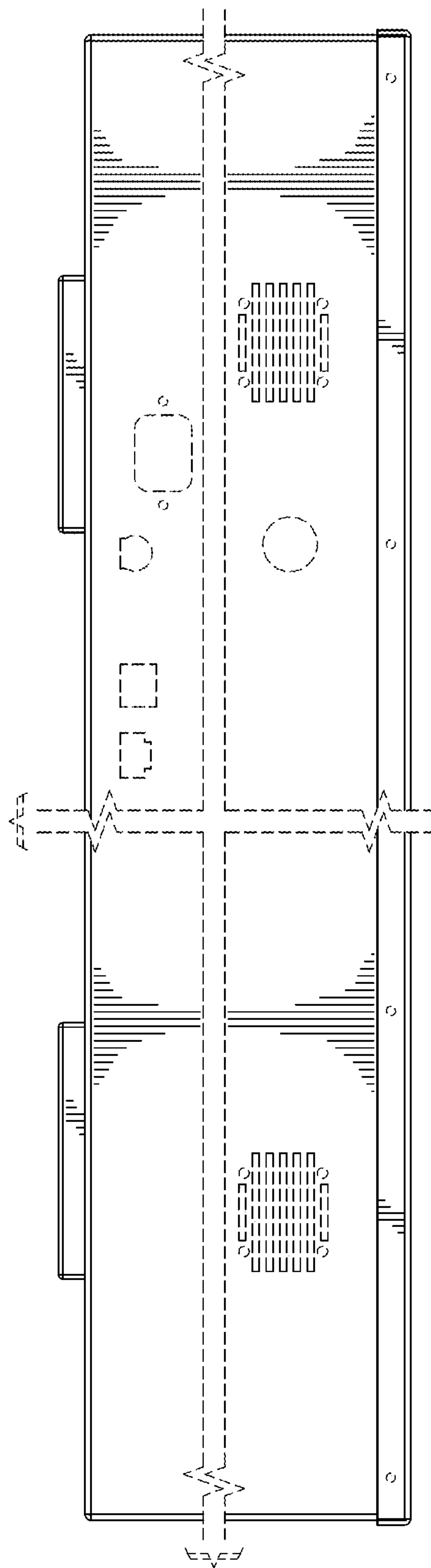


FIG. 3

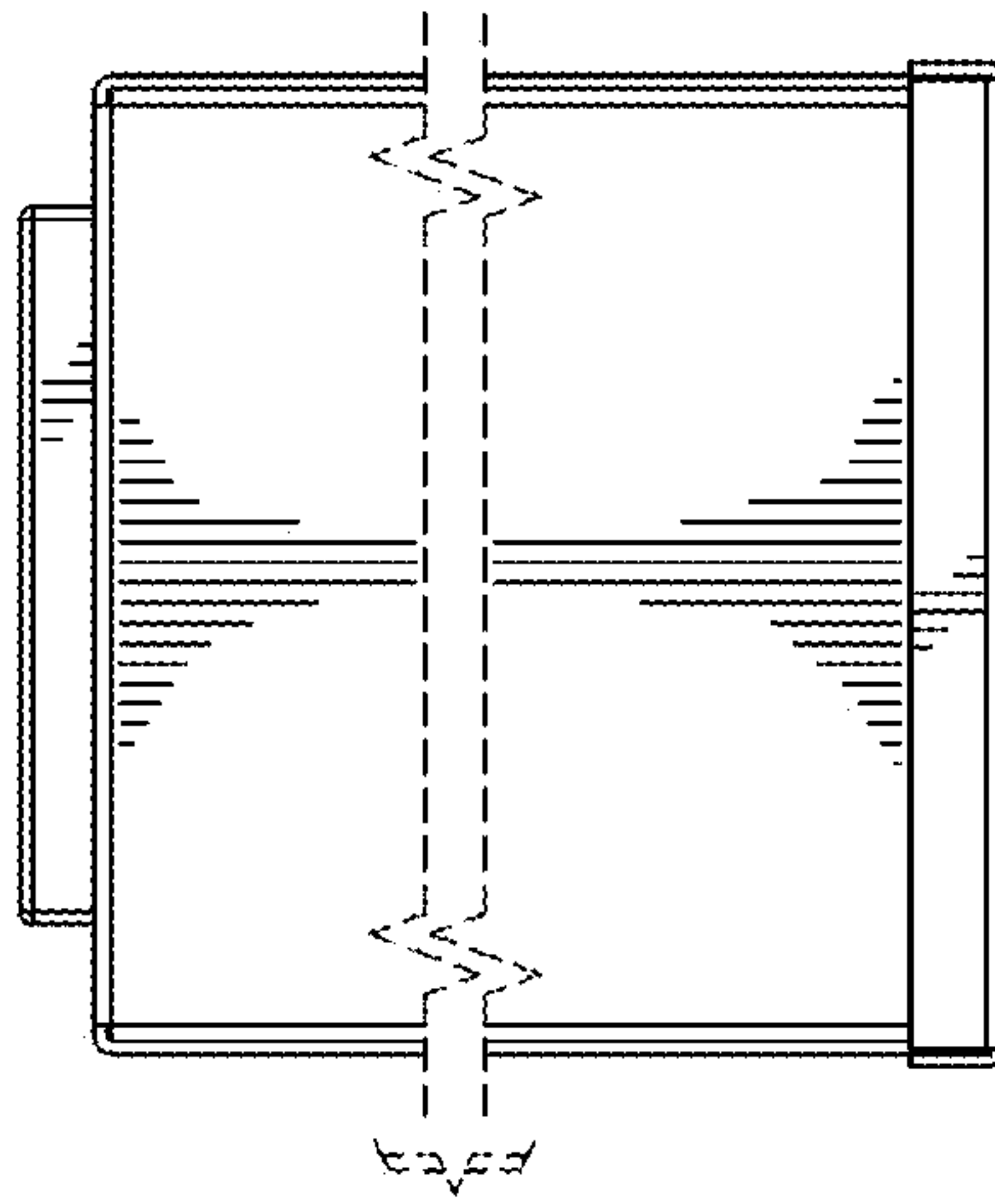


FIG. 5

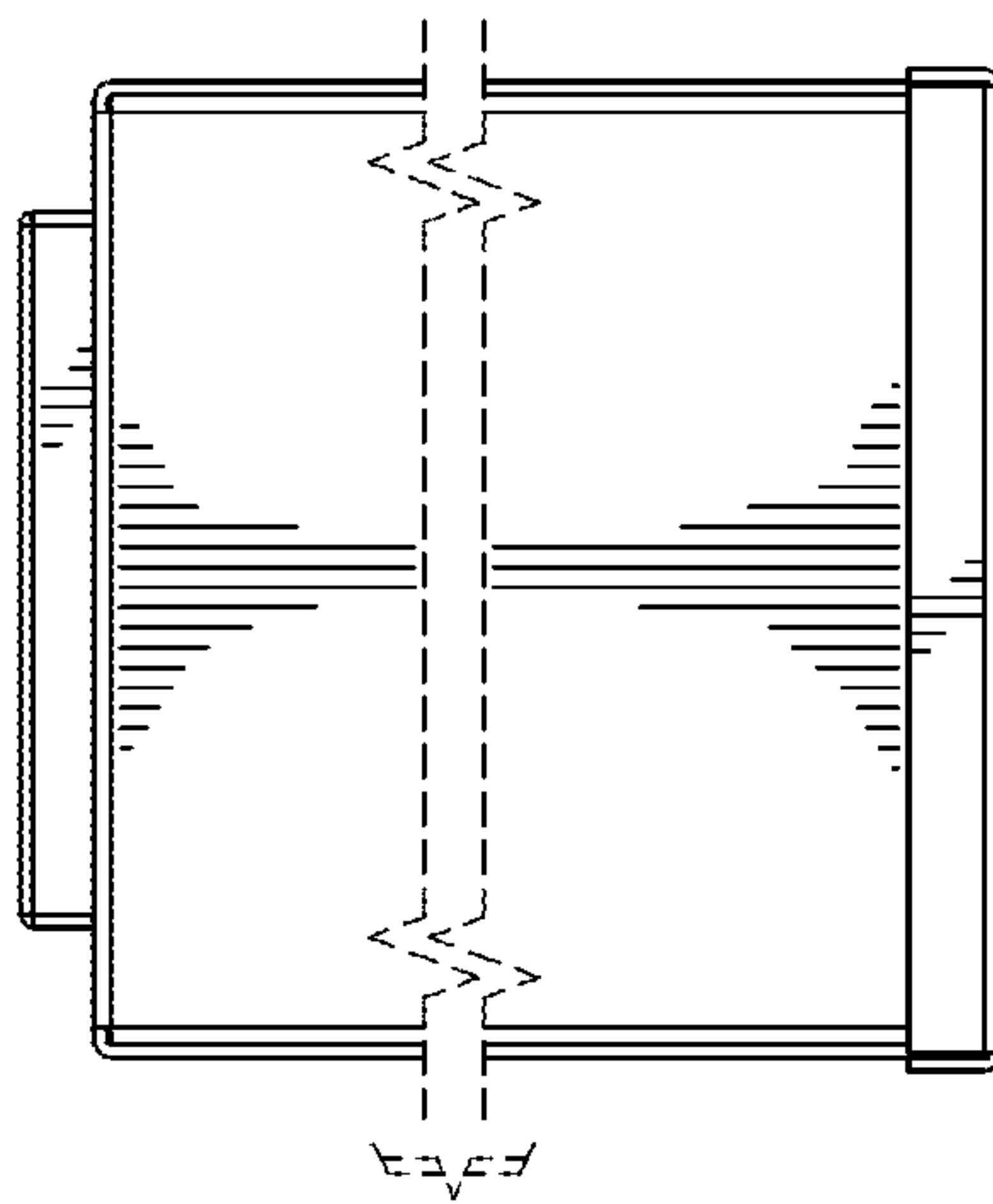


FIG. 4



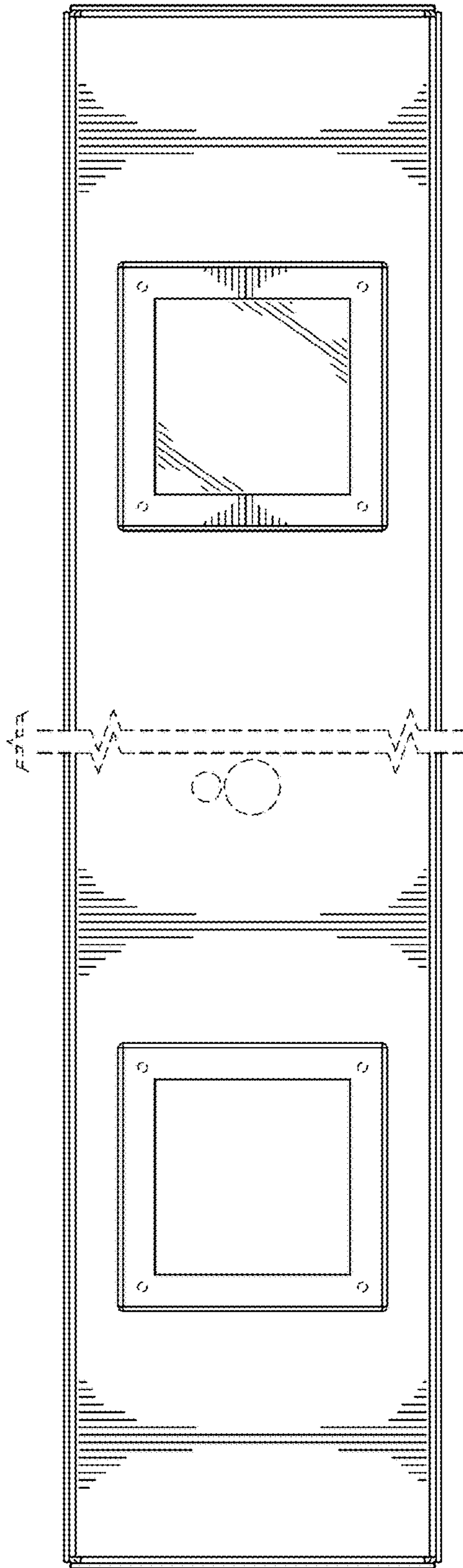


FIG. 6

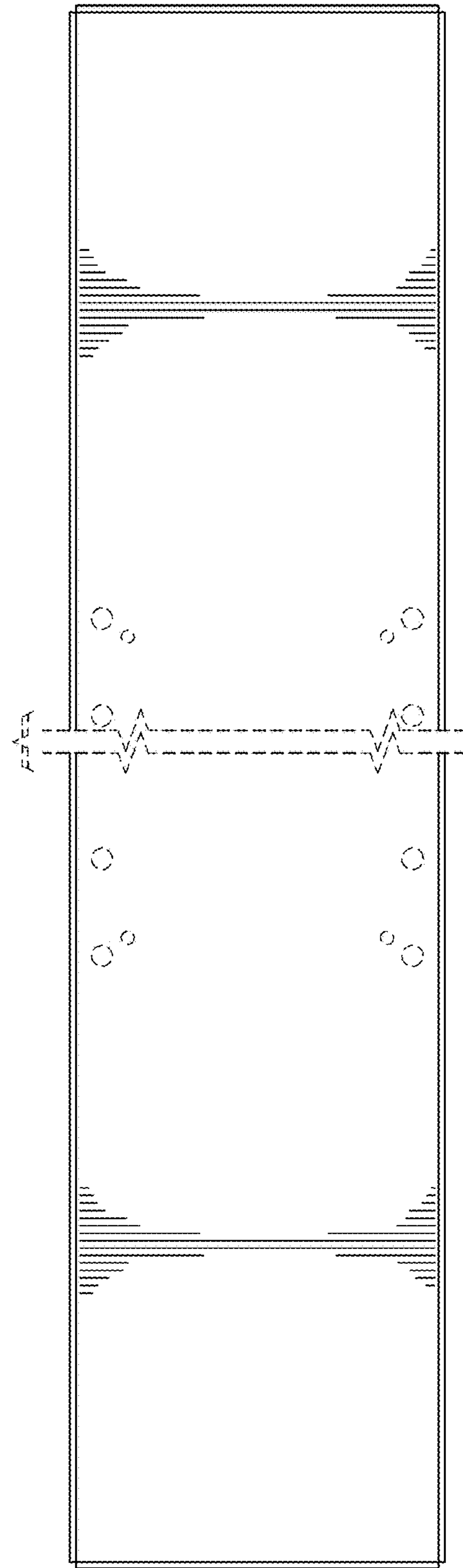


FIG. 7

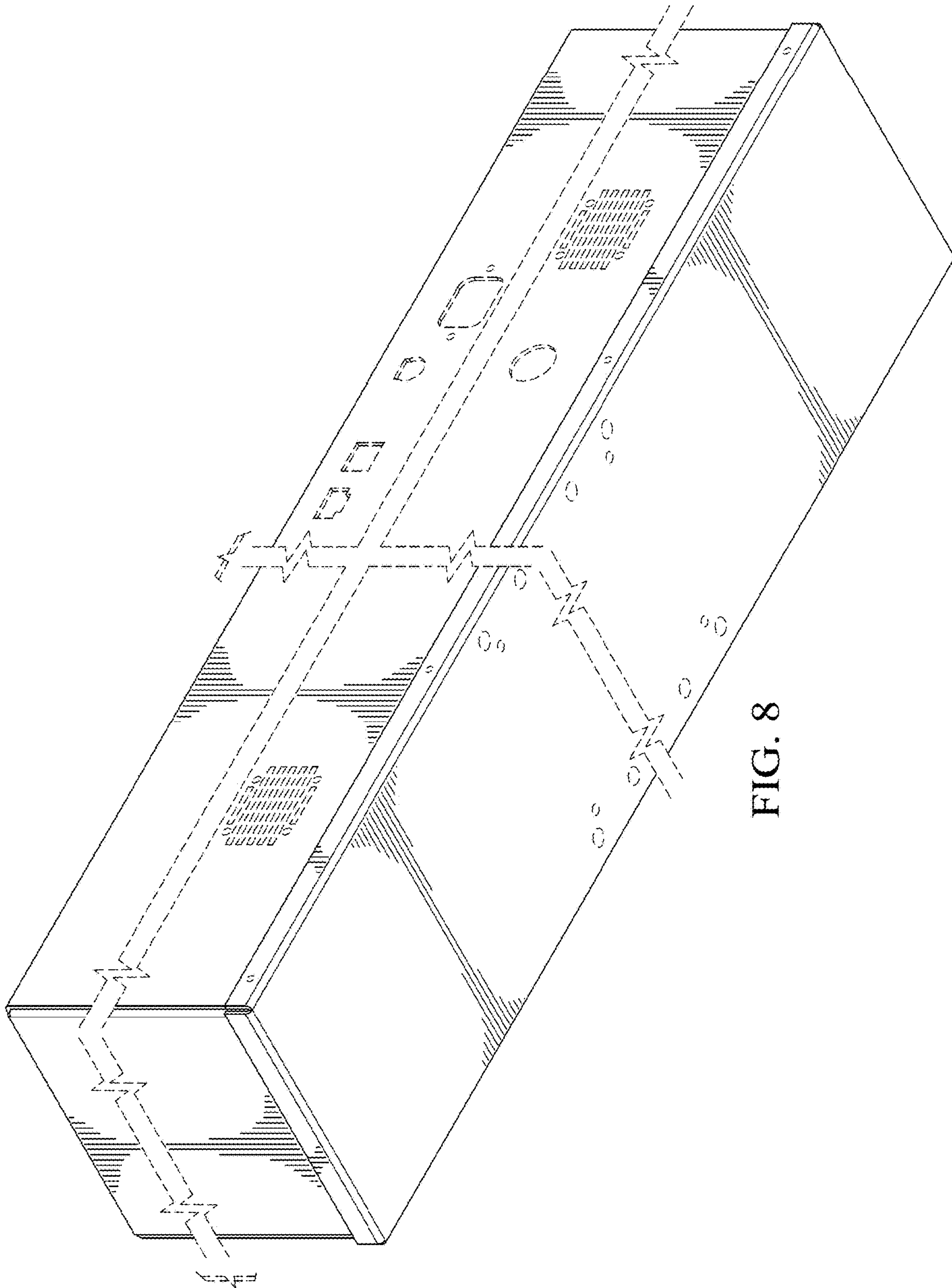


FIG. 8