



US00D877925S

(12) **United States Design Patent** (10) **Patent No.:** **US D877,925 S**
Tanaka (45) **Date of Patent:** **** *Mar. 10, 2020**

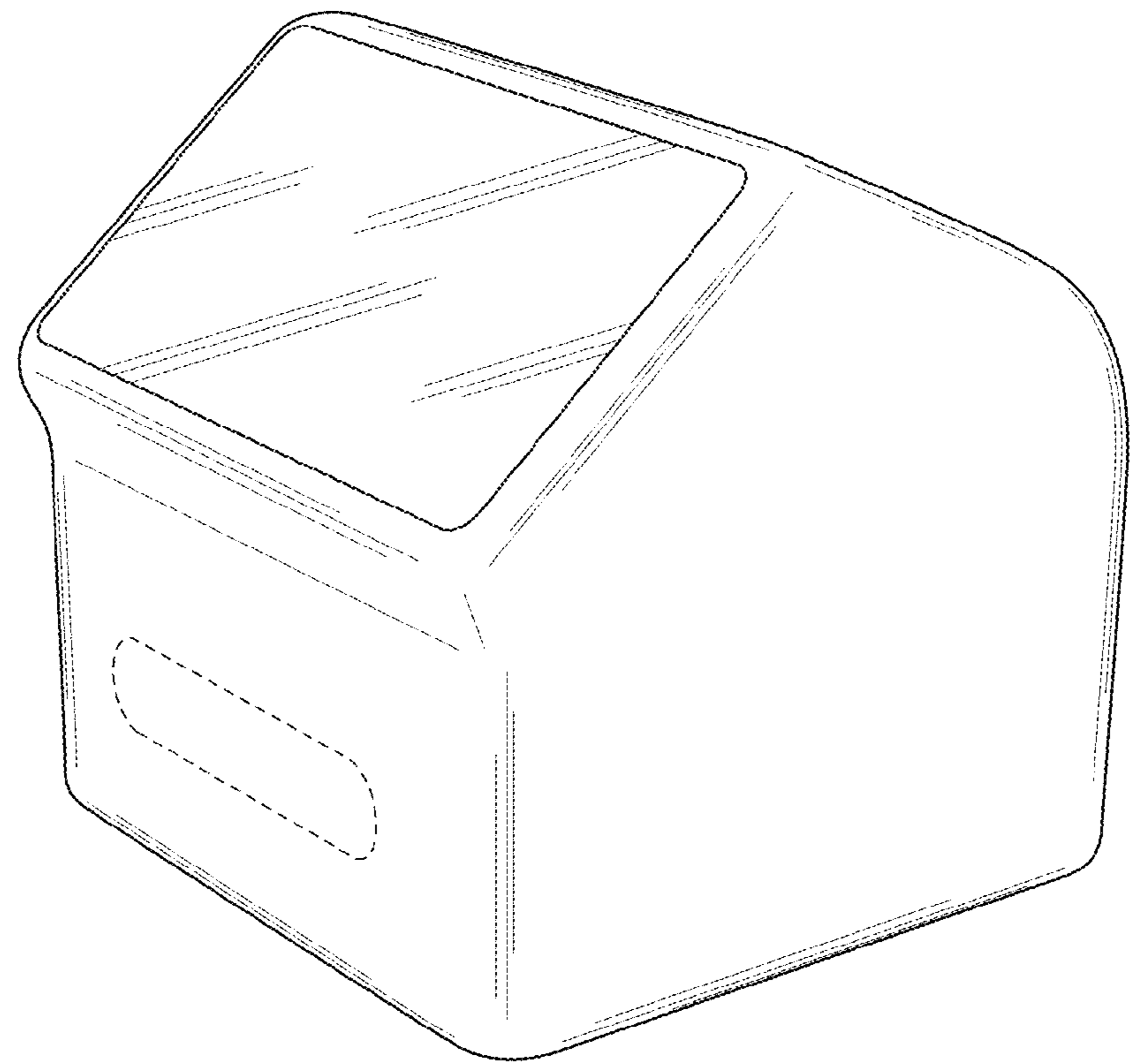
(54) **ANALYTICAL INSTRUMENT**
(71) Applicant: **Cellspect Co., Ltd.**, Iwate (JP)
(72) Inventor: **Koji Tanaka**, Iwate (JP)
(73) Assignee: **Cellspect Co., Ltd.**, Iwate (JP)
(*) Notice: This patent is subject to a terminal disclaimer.
(**) Term: **15 Years**
(21) Appl. No.: **29/663,368**
(22) Filed: **Sep. 14, 2018**
(30) **Foreign Application Priority Data**
Mar. 16, 2018 (JP) D2018-5601
(51) **LOC (12) Cl.** **24-01**
(52) **U.S. Cl.**
USPC **D24/216**
(58) **Field of Classification Search**
USPC D24/164-169, 186, 107, 216, 231-233;
D10/81
CPC A61B 5/14532; A61B 5/14865; A61B
2560/0412; A61B 2560/0443; A61B
2560/0462; A61M 25/0606; A61M
25/0631
See application file for complete search history.

(56) **References Cited**
U.S. PATENT DOCUMENTS
D467,349 S * 12/2002 Niedbala D24/232
D474,280 S * 5/2003 Niedbala D24/232
D689,193 S * 9/2013 Shinohara D24/216
D822,844 S * 7/2018 Smith D24/216
D827,859 S * 9/2018 Mathers D24/232
D848,880 S * 5/2019 Smith D10/81
D854,188 S * 7/2019 Schaecken D24/232
D857,903 S * 8/2019 Esfandiari D24/185
* cited by examiner
Primary Examiner — Anhdao Doan
(74) *Attorney, Agent, or Firm* — Nakanishi IP Associates, LLC

(57) **CLAIM**
The ornamental design for an analytical instrument, as shown and described.

DESCRIPTION
FIG. 1 is a front, top, and right side perspective view of an analytical instrument;
FIG. 2 is a front elevation view thereof;
FIG. 3 is a rear elevation view thereof;
FIG. 4 is a left side elevation view thereof;
FIG. 5 is a right side elevation view thereof;
FIG. 6 is a top plan view thereof; and,
FIG. 7 is a bottom plan view thereof.
The broken lines represent portions of the analytical instrument and form no part of the claimed design.

1 Claim, 7 Drawing Sheets



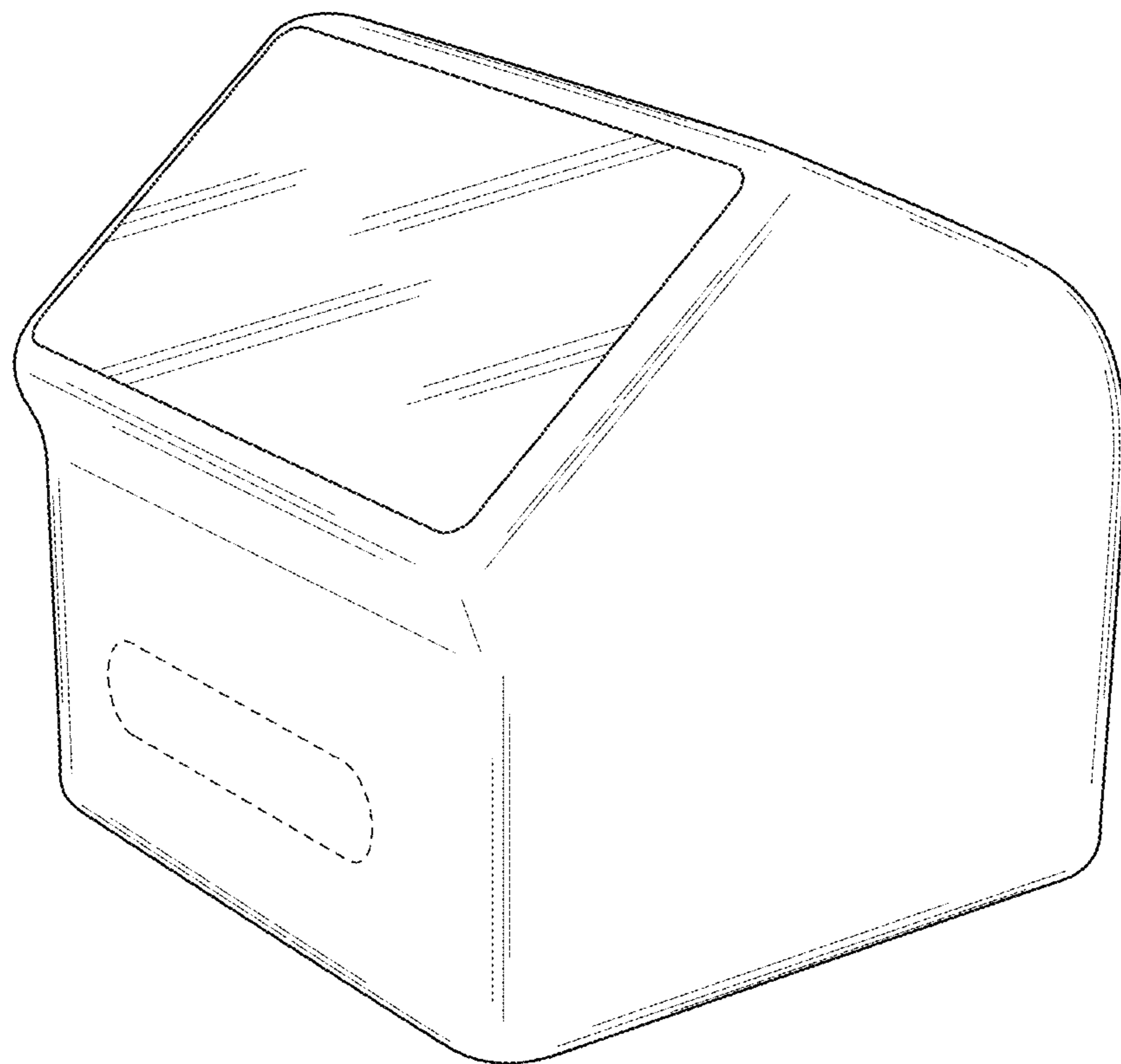


FIG. 1

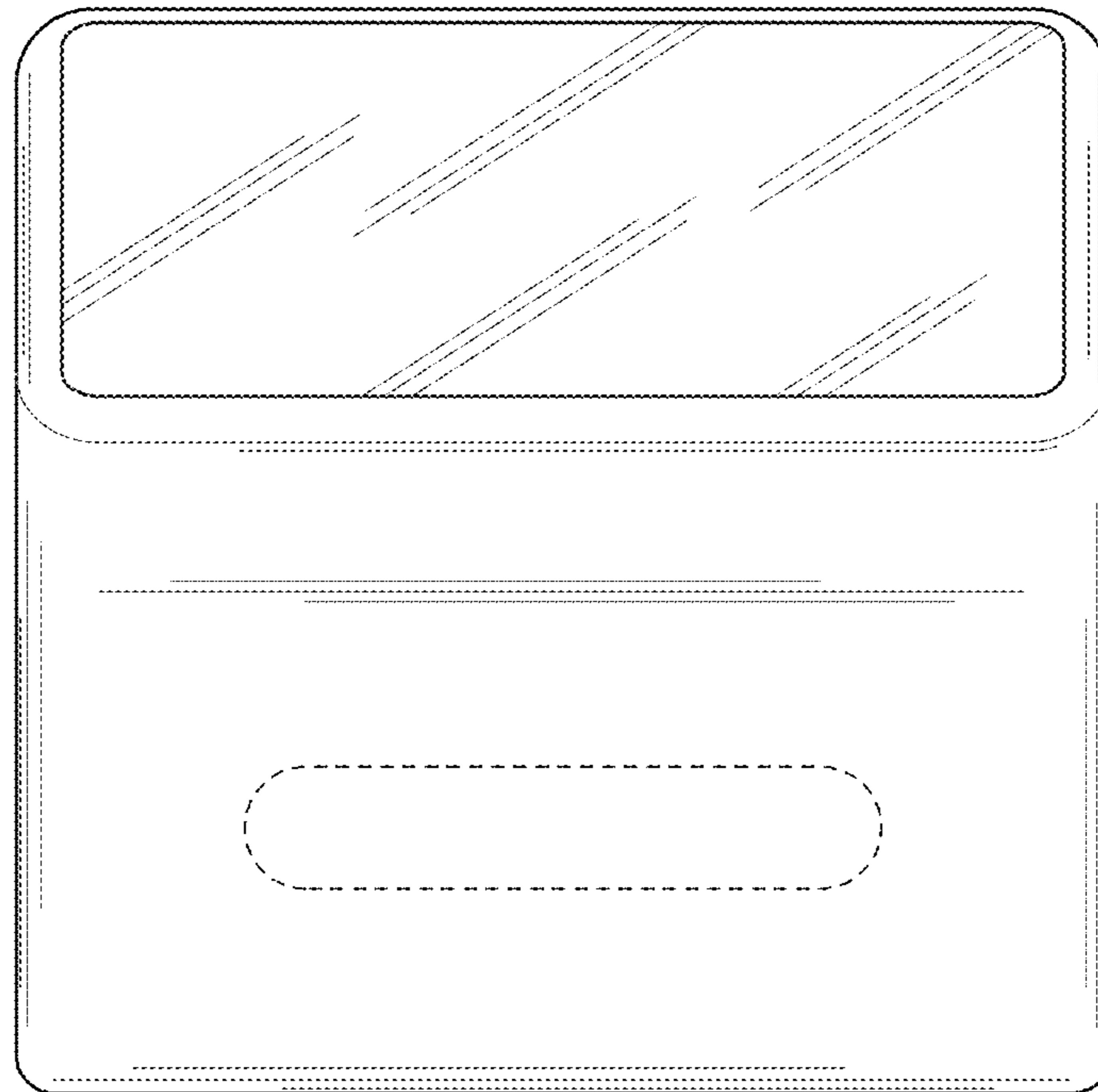


FIG. 2

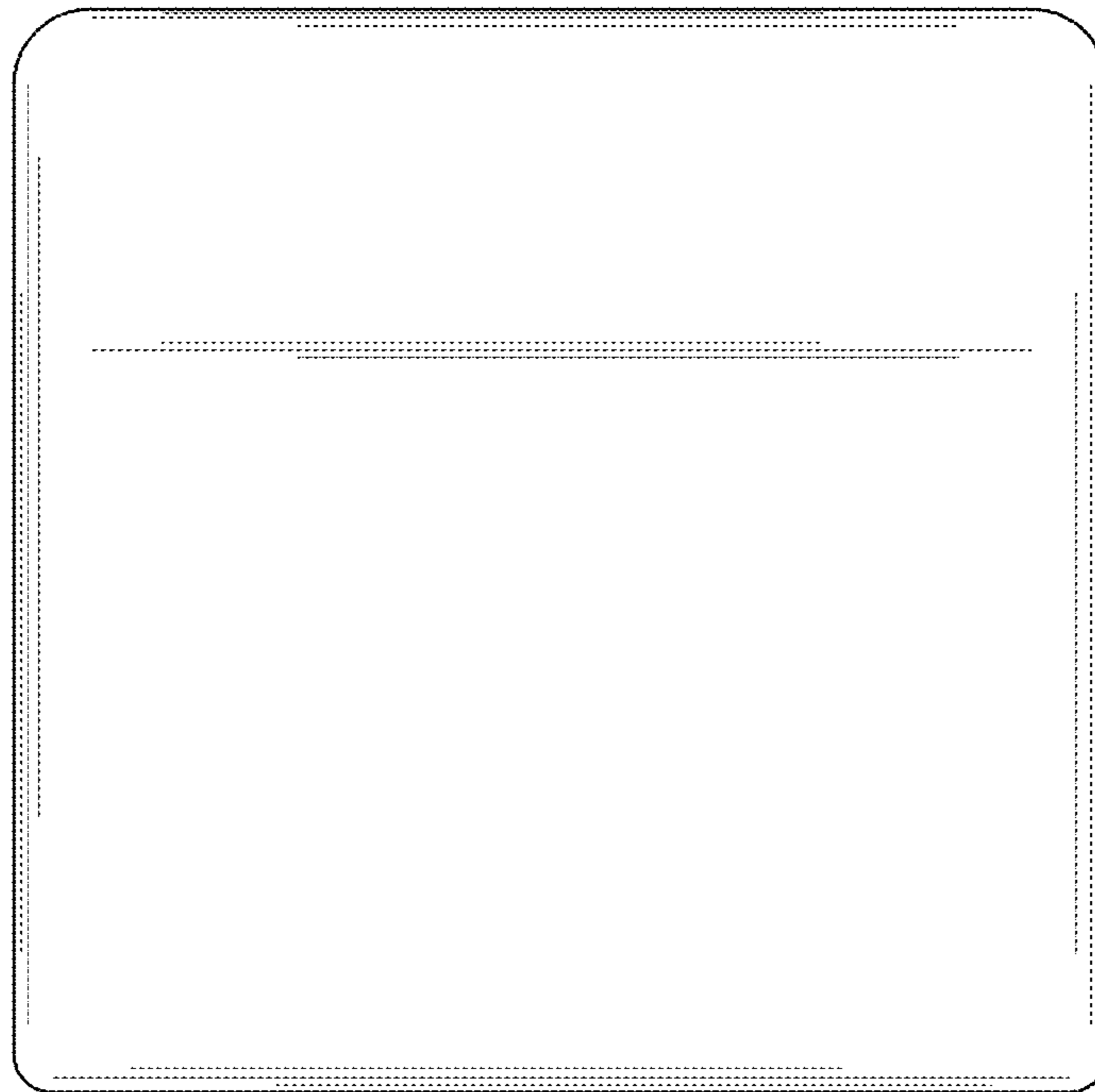


FIG. 3

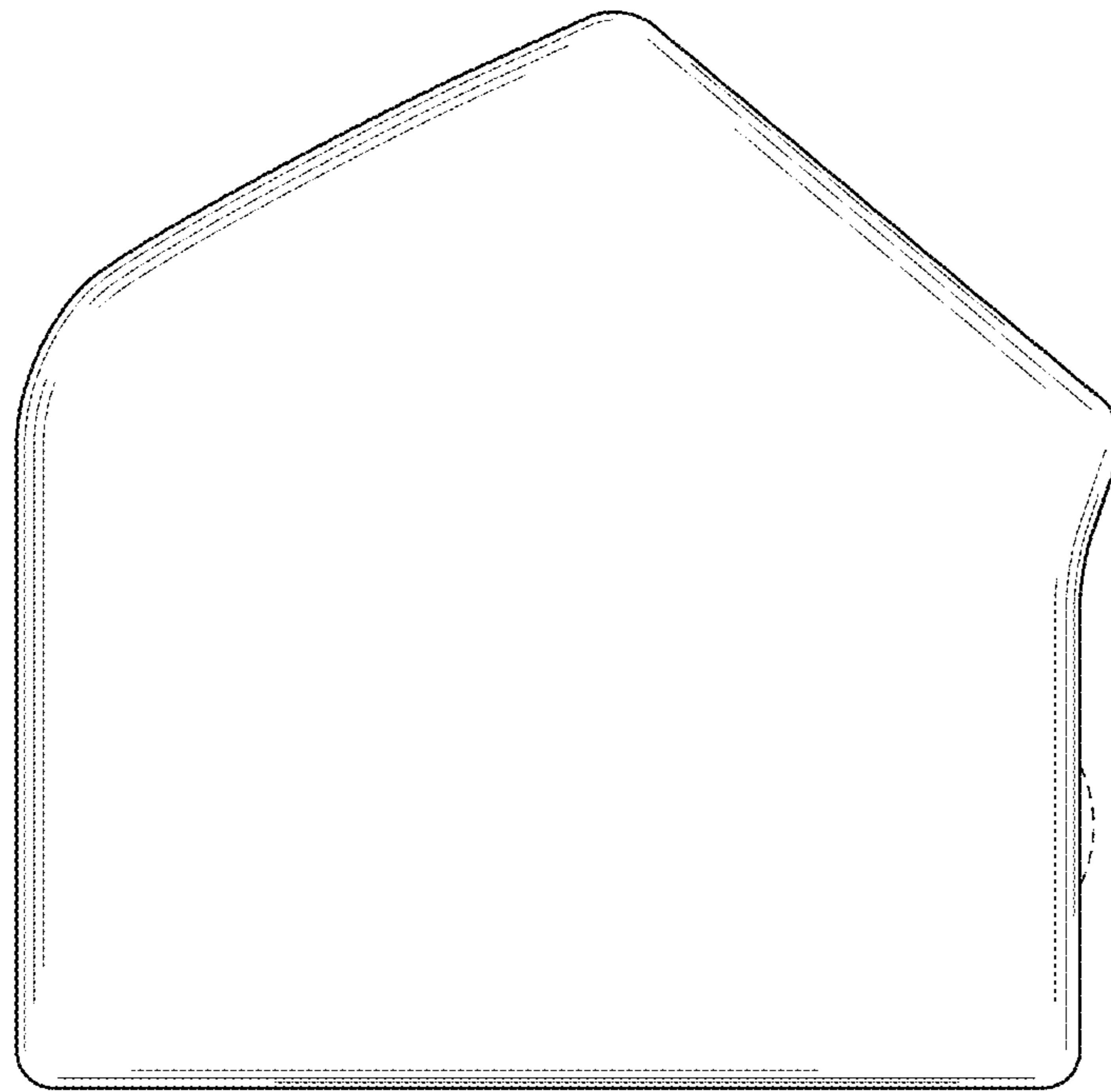


FIG. 4

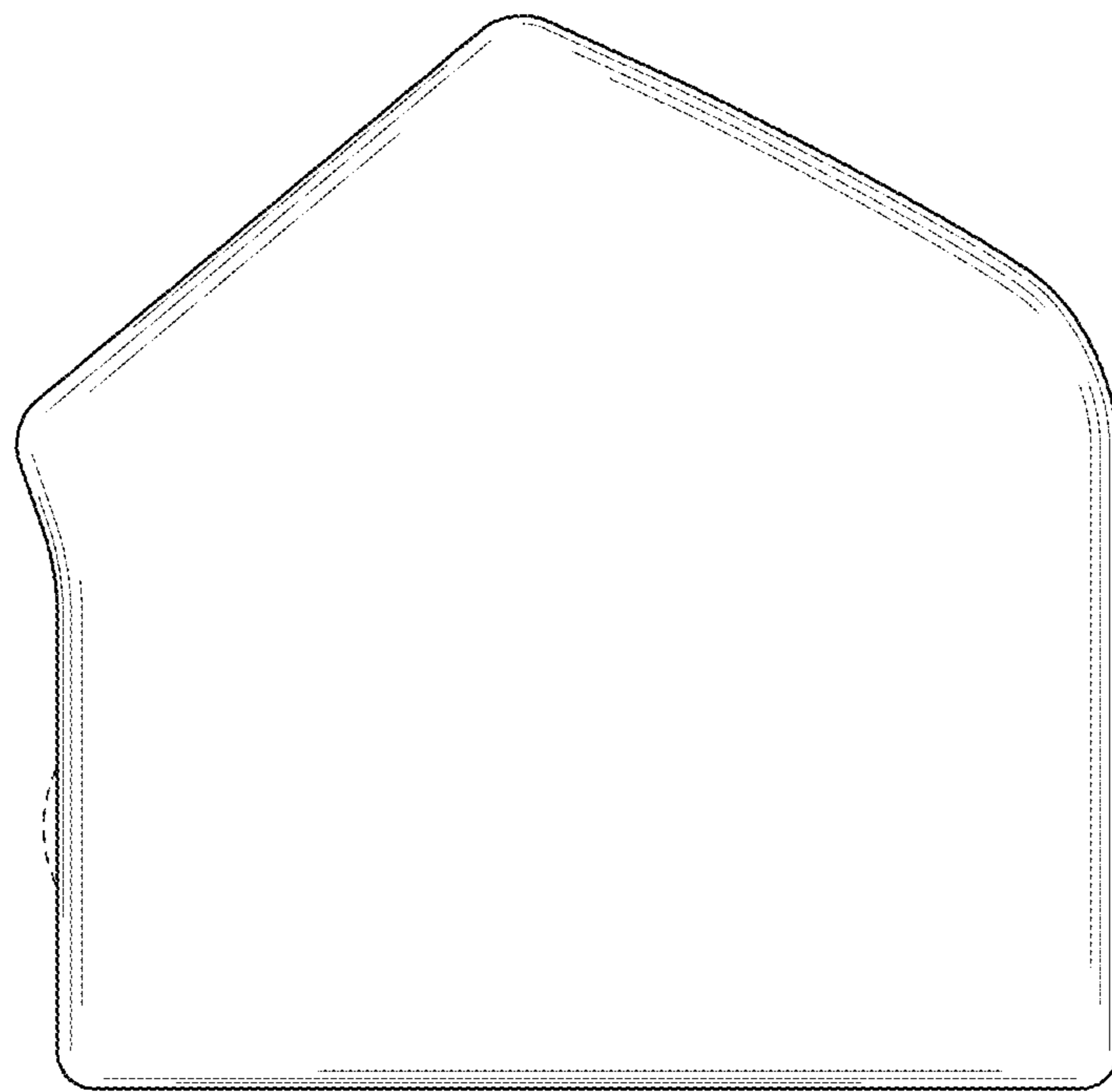


FIG. 5

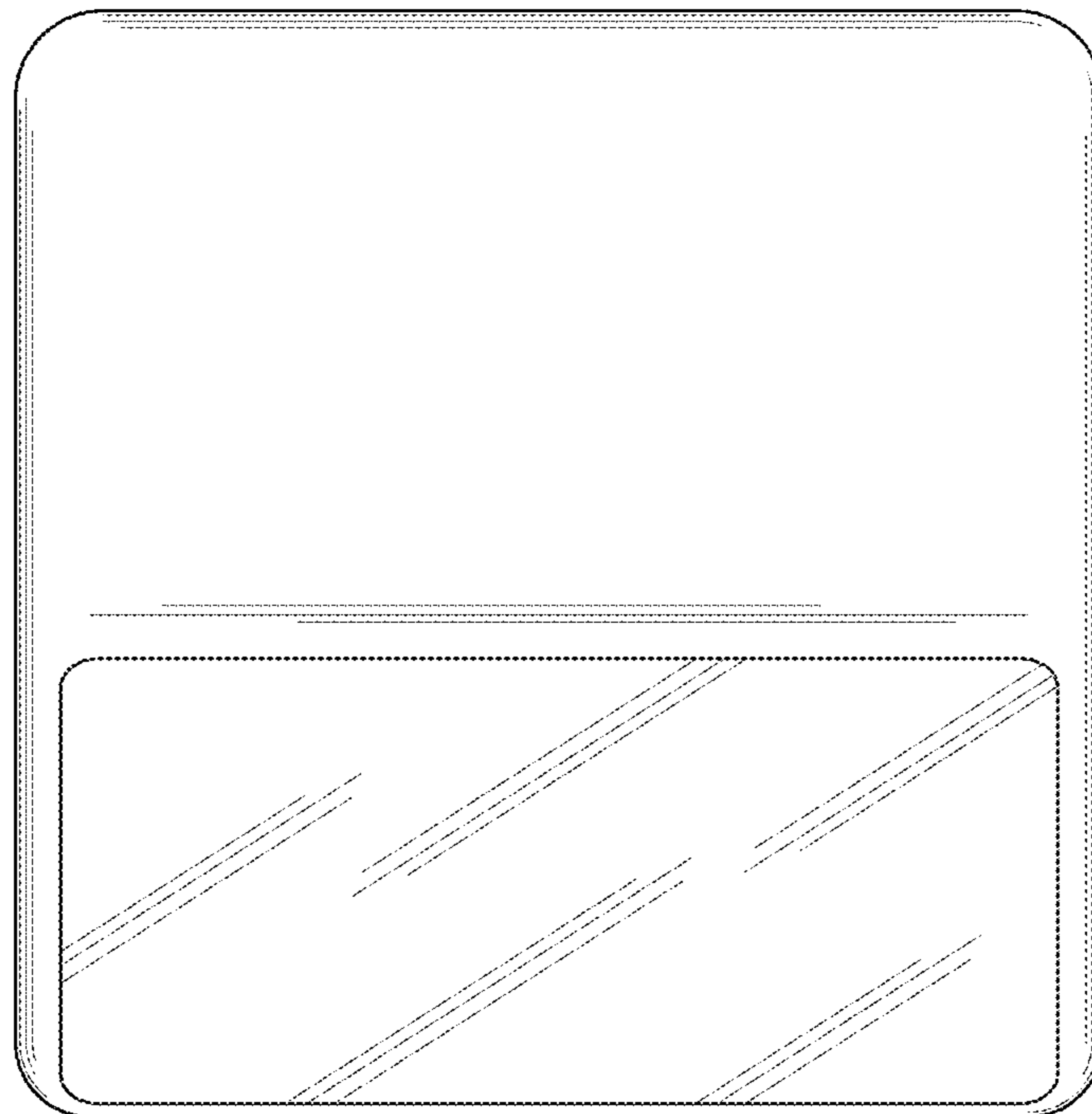


FIG. 6

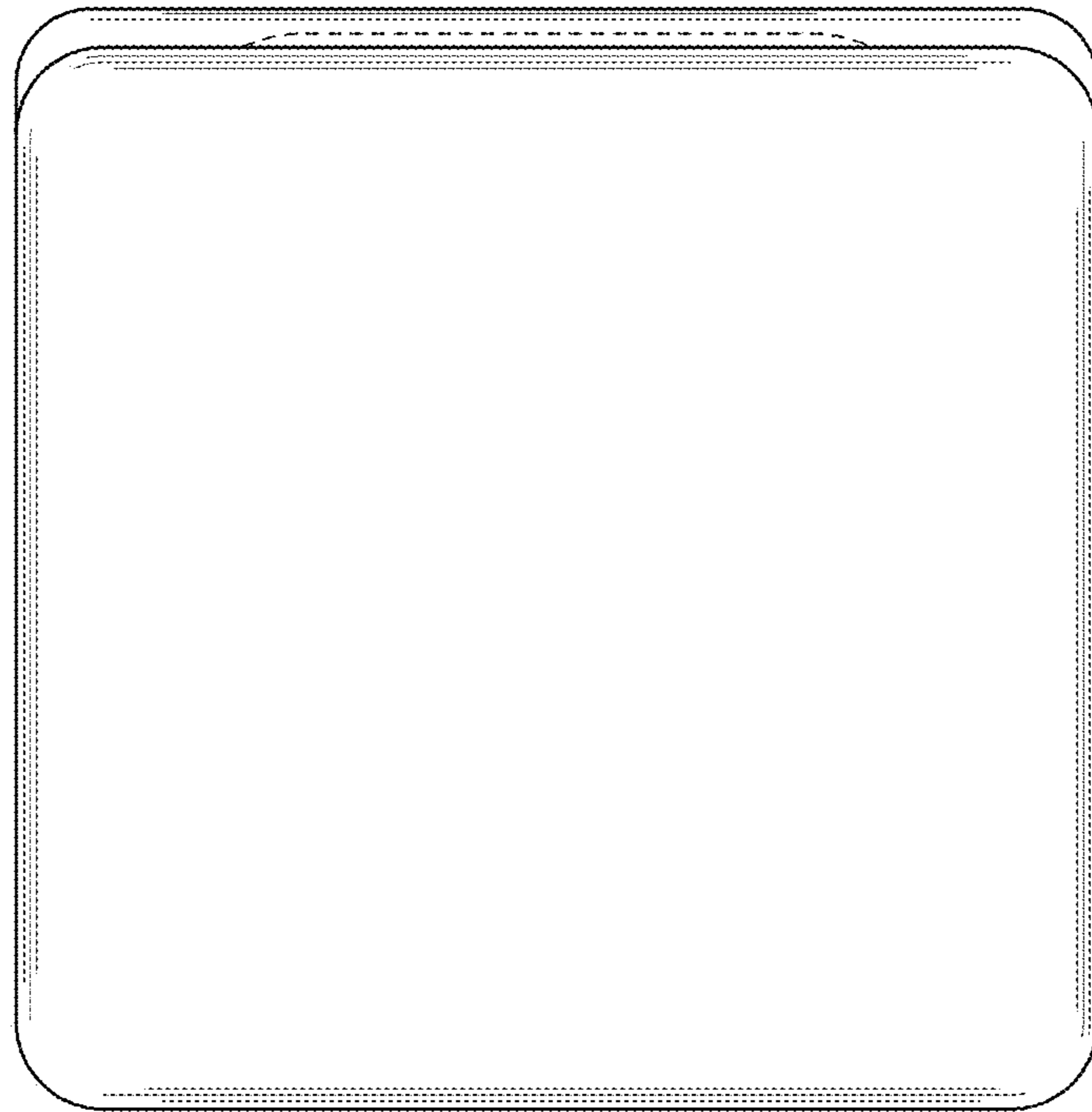


FIG. 7