



US00D877924S

(12) **United States Design Patent**
Kocher et al.

(10) **Patent No.:** **US D877,924 S**
(45) **Date of Patent:** **** Mar. 10, 2020**

- (54) **PORTABLE SAMPLING DEVICE**
- (71) Applicant: **Veltek Associates, Inc.**, Malvern, PA (US)
- (72) Inventors: **Nathan G. Kocher**, Malvern, PA (US); **Arthur L. Vellutato, Jr.**, Malvern, PA (US); **Jeffrey Churchvara**, Downingtown, PA (US); **Mark A. Phillips**, King of Prussia, PA (US)
- (73) Assignee: **Veltek Associates, Inc.**, Malvern, PA (US)
- (**) Term: **15 Years**
- (21) Appl. No.: **29/574,405**
- (22) Filed: **Aug. 15, 2016**
- (51) **LOC (12) Cl.** **24-01**
- (52) **U.S. Cl.**
USPC **D24/216**
- (58) **Field of Classification Search**
USPC D24/216-232, 107, 108, 119, 121, 162, D24/169, 186, 201, 233, 234; D10/81;
(Continued)

(56) **References Cited**

U.S. PATENT DOCUMENTS

- 2,824,575 A 2/1958 Rosen
 - 4,034,663 A 7/1977 Jenn et al.
- (Continued)

FOREIGN PATENT DOCUMENTS

- CN 2074015 U 3/1991
 - CN 102066897 A 5/2011
- (Continued)

OTHER PUBLICATIONS

Particle Measuring Systems Expands Environmental Monitoring Portfolio with Two New MiniCapt® Microbial Air Samplers, posted

at prweb.com, posted Apr. 3, 2014, © Copyright 1997-2015, Vocus PRW Holdings, LLC., [online], [site visited Sep. 20, 2017]. Available from Internet, URL: <http://www.prweb.com/releases/2014/04/prweb11731213.htm>.*

(Continued)

Primary Examiner — Barbara Fox
Assistant Examiner — Mary Shannon Malley
(74) *Attorney, Agent, or Firm* — Blank Rome LLP

(57) **CLAIM**

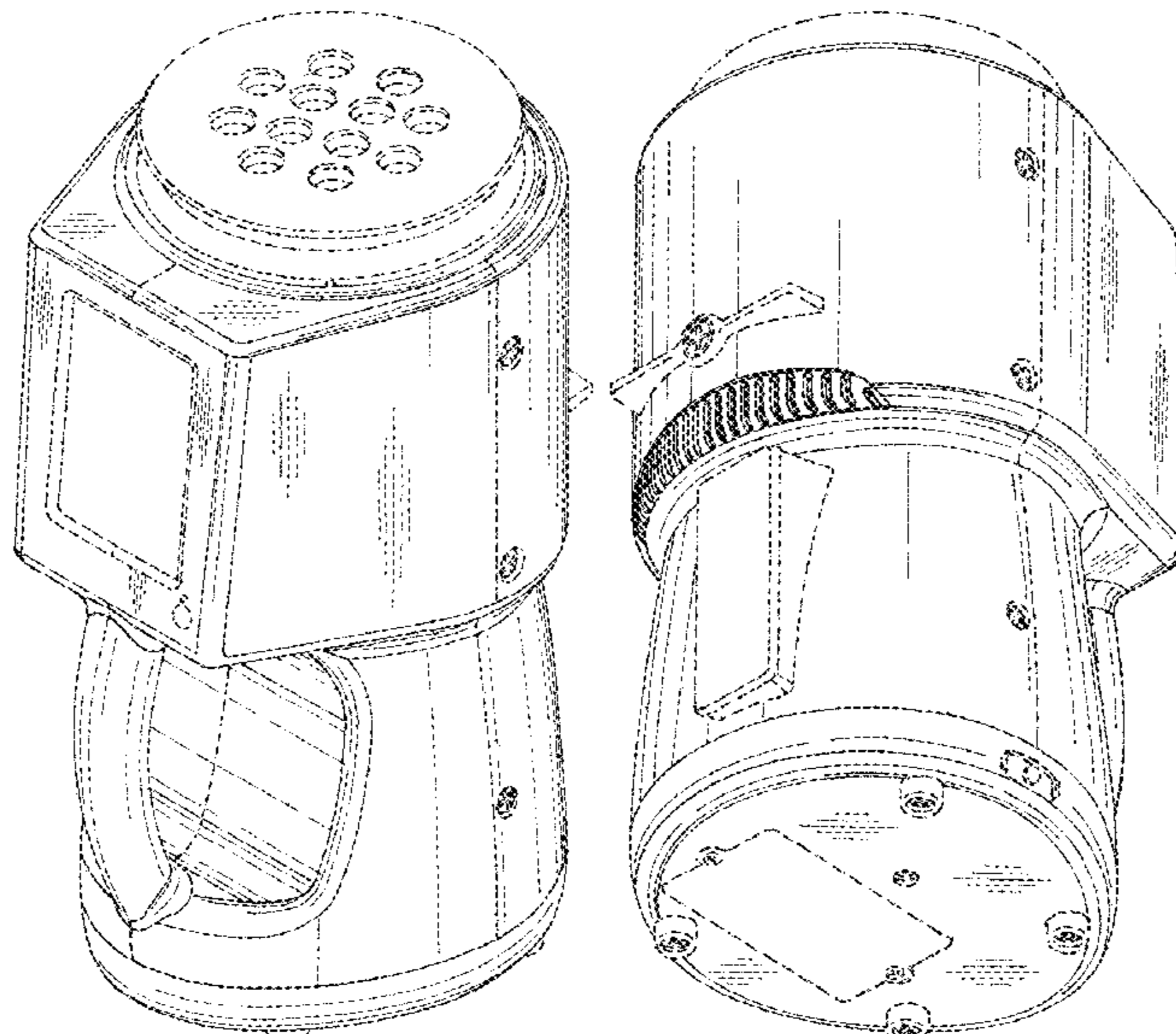
The ornamental design for a portable sampling device, as shown and described.

DESCRIPTION

FIG. 1 is a front perspective view of a first embodiment of a portable sampling device of our design; FIG. 2 is a rear perspective view thereof; FIG. 3 is a front view thereof; FIG. 4 is a rear view thereof; FIG. 5 is a right-side view thereof; FIG. 6 is a left-side view thereof; FIG. 7 is a top view thereof; FIG. 8 is a bottom view thereof; FIG. 9 is a front perspective view of a second embodiment of a portable sampler of our design; FIG. 10 is a rear perspective view thereof; FIG. 11 is a front view thereof; FIG. 12 is a rear view thereof; FIG. 13 is a right-side view thereof; FIG. 14 is a left-side view thereof; FIG. 15 is a top view thereof; and, FIG. 16 is a bottom view thereof.

The broken lines show portions of the portable sampling device that form no part of the claimed invention.

1 Claim, 14 Drawing Sheets



(58) **Field of Classification Search**

USPC 422/430, 551-553; 435/288.3, 297.5,
435/305.3, 305.2, 305.1; 436/808, 809,
436/814, 906; 73/863.22, 863.11, 864.51
CPC G01N 2035/00306; G01N 2035/00326;
G01N 2035/00336; G01N 2035/00029;
G01N 2035/0401; G01N 2035/0403;
G01N 2035/0405; G01N 2035/00019;
G01N 2030/027; G01N 35/08; G01N
35/02; G01N 35/021; G01N 35/026;
G01N 35/028; G01N 35/04; G01N 1/22;
G01N 1/2205; G01N 1/2273; G01N
33/497; G01N 33/4977

See application file for complete search history.

9,285,792 B2 3/2016 Churchvara et al.
D758,558 S * 6/2016 McPhilliamy D23/364
D771,271 S * 11/2016 Zingre D24/216
D779,978 S * 2/2017 Mikhnenko D10/52
D791,303 S * 7/2017 Pipe D24/108
2003/0054561 A1 3/2003 Gelernt
2008/0087108 A1 4/2008 Kreikebaum et al.
2014/0013866 A1* 1/2014 Vellutato, Jr. G01N 1/2273
73/864.51
2014/0075712 A1 3/2014 Robertson et al.
2015/0259723 A1 9/2015 Hartigan et al.
2015/0260617 A1 9/2015 Ketcham et al.
2015/0355000 A1 12/2015 Bates et al.
2016/0002700 A1 1/2016 Ketcham et al.
2016/0061796 A1 3/2016 Miller et al.
2016/0061797 A1 3/2016 Kocher
2016/0161474 A1 6/2016 Husar et al.

(56)

References Cited

U.S. PATENT DOCUMENTS

4,091,674 A 5/1978 Amey
5,520,517 A 5/1996 Sipin
5,655,478 A 8/1997 Kiera
D386,576 S * 11/1997 Wang D23/356
6,094,997 A * 8/2000 Lemonnier G01N 1/2273
73/863.22
6,405,549 B1 6/2002 Baffes
6,481,050 B1 11/2002 Wilson et al.
6,692,953 B1 * 2/2004 Sugita G01N 1/2273
435/309.1
6,702,664 B1 3/2004 Coven
6,712,161 B1 3/2004 Dai
7,752,930 B2 7/2010 Kreikebaum et al.
D643,915 S * 8/2011 Endo D23/364
8,486,170 B2 * 7/2013 Conrad A47L 9/122
55/309
9,046,453 B2 6/2015 Calio et al.
9,063,040 B2 6/2015 Calio et al.

FOREIGN PATENT DOCUMENTS

CN 201983961 U 9/2011
CN 102859562 A 1/2013
JP 09501212 A 2/1997

OTHER PUBLICATIONS

Emtek Microbial Air Samplers; P100 Portable Microbiological Air Sampler Users Manual; 2013; pp. 1-64.
MAS-100 NT™ Microbiological Air Sampler: The Leading Microbiological Air Monitoring Systems; Pictorial User Manual Hardware; 2008; 66 pgs.
SMA MicroPortable Air Samplers Operator's Manual. Veltek Associates, Inc.; SMA, Rev. 1, Oct. 16, 2013, 21 pages.
SMA MicroPortable Air Sampler; SMA, Veltek Associates, Inc., 2012; 2 pages.
International Search Report and Written Opinion for PCT/US2017/042722, dated Sep. 27, 2017, 10 pages.

* cited by examiner

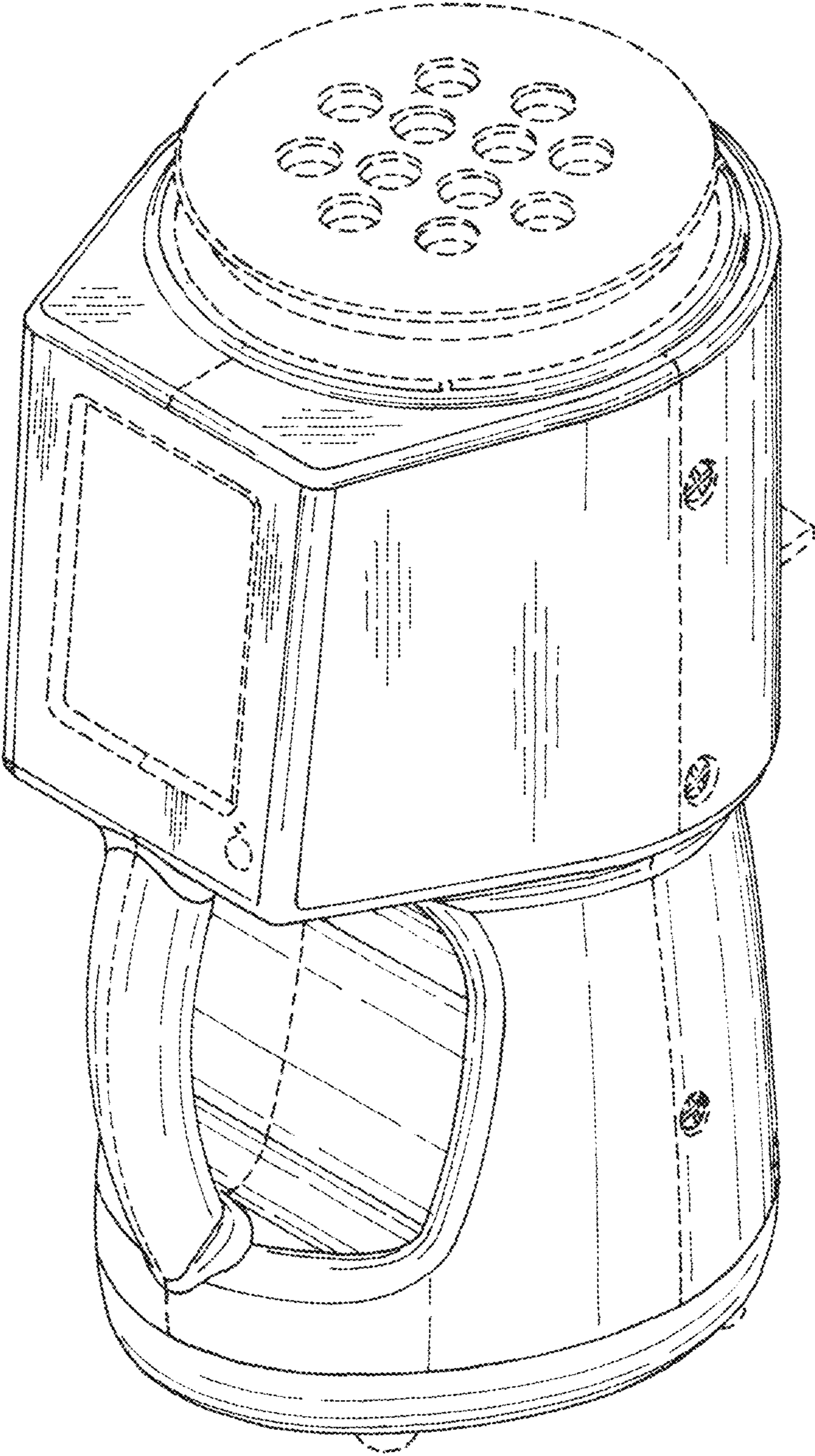


FIG. 1

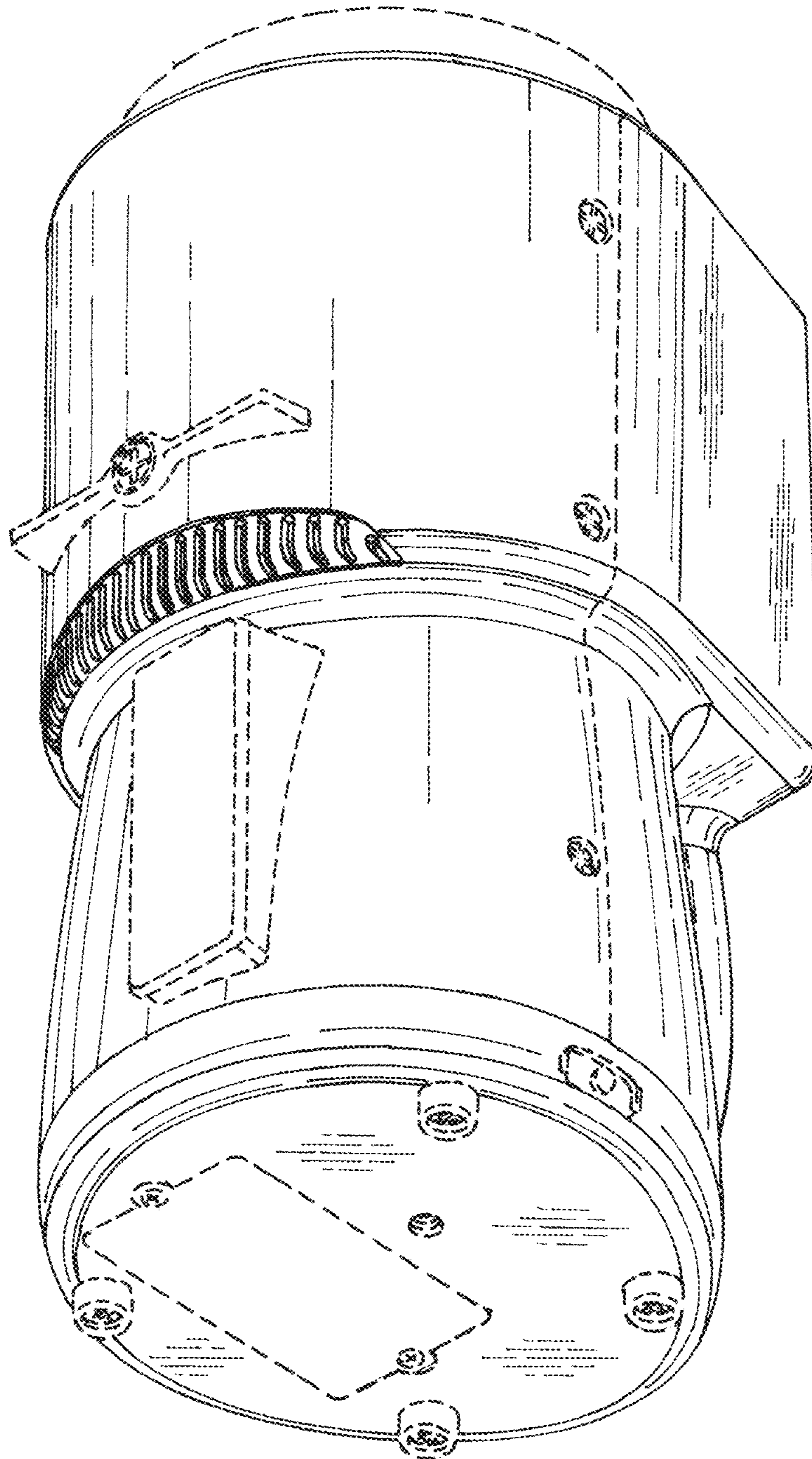


FIG. 2

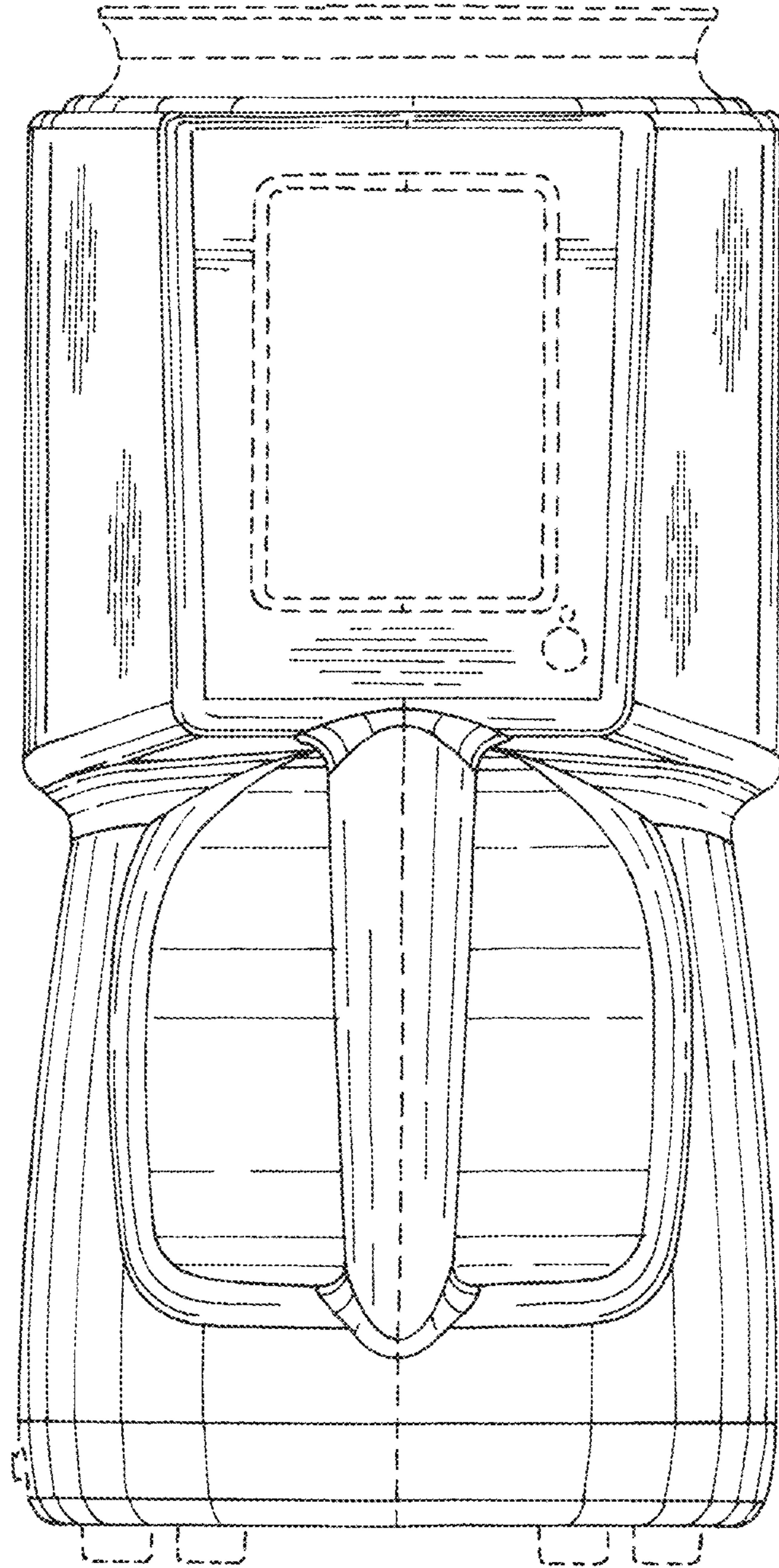


FIG. 3

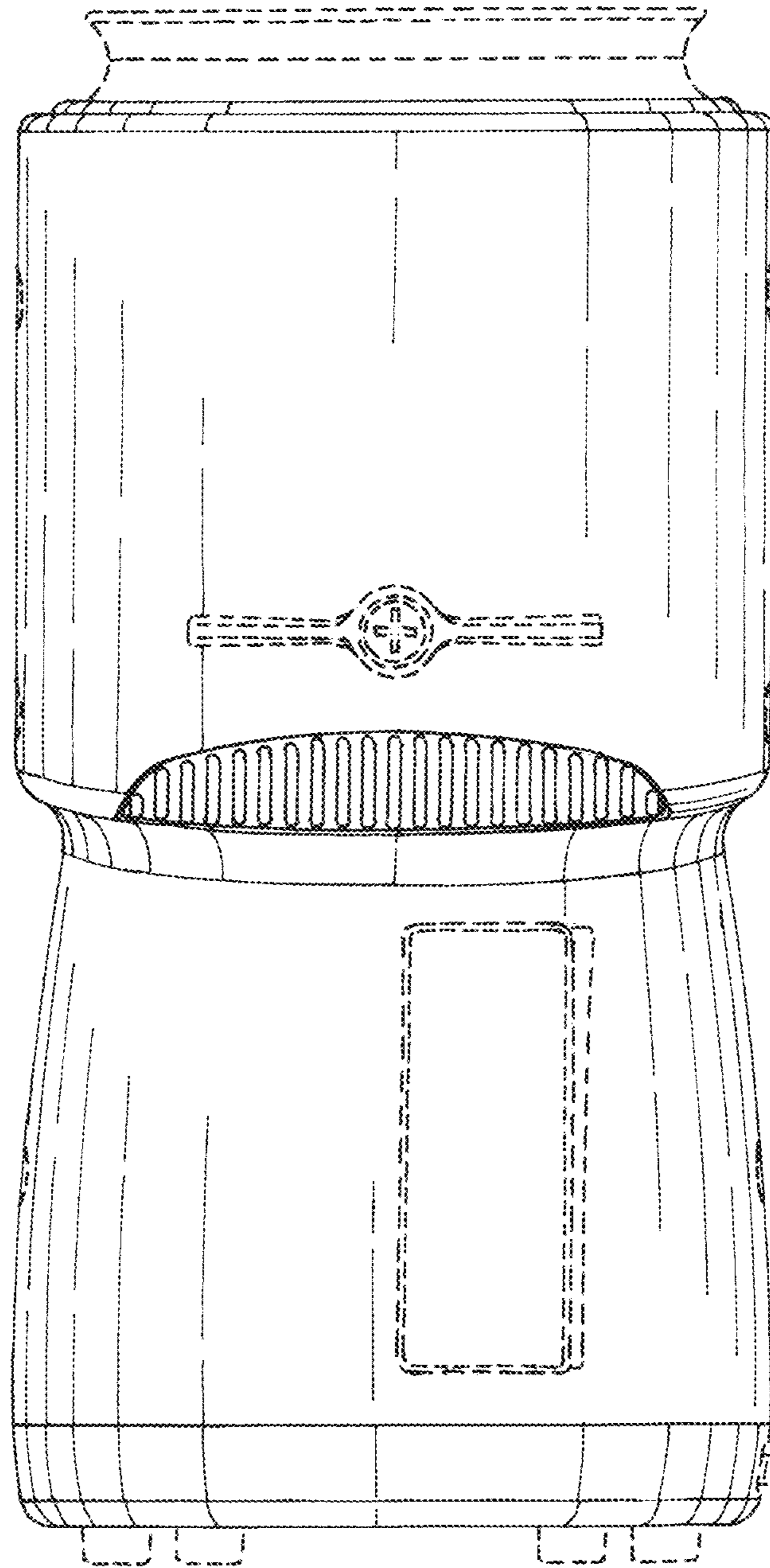


FIG. 4

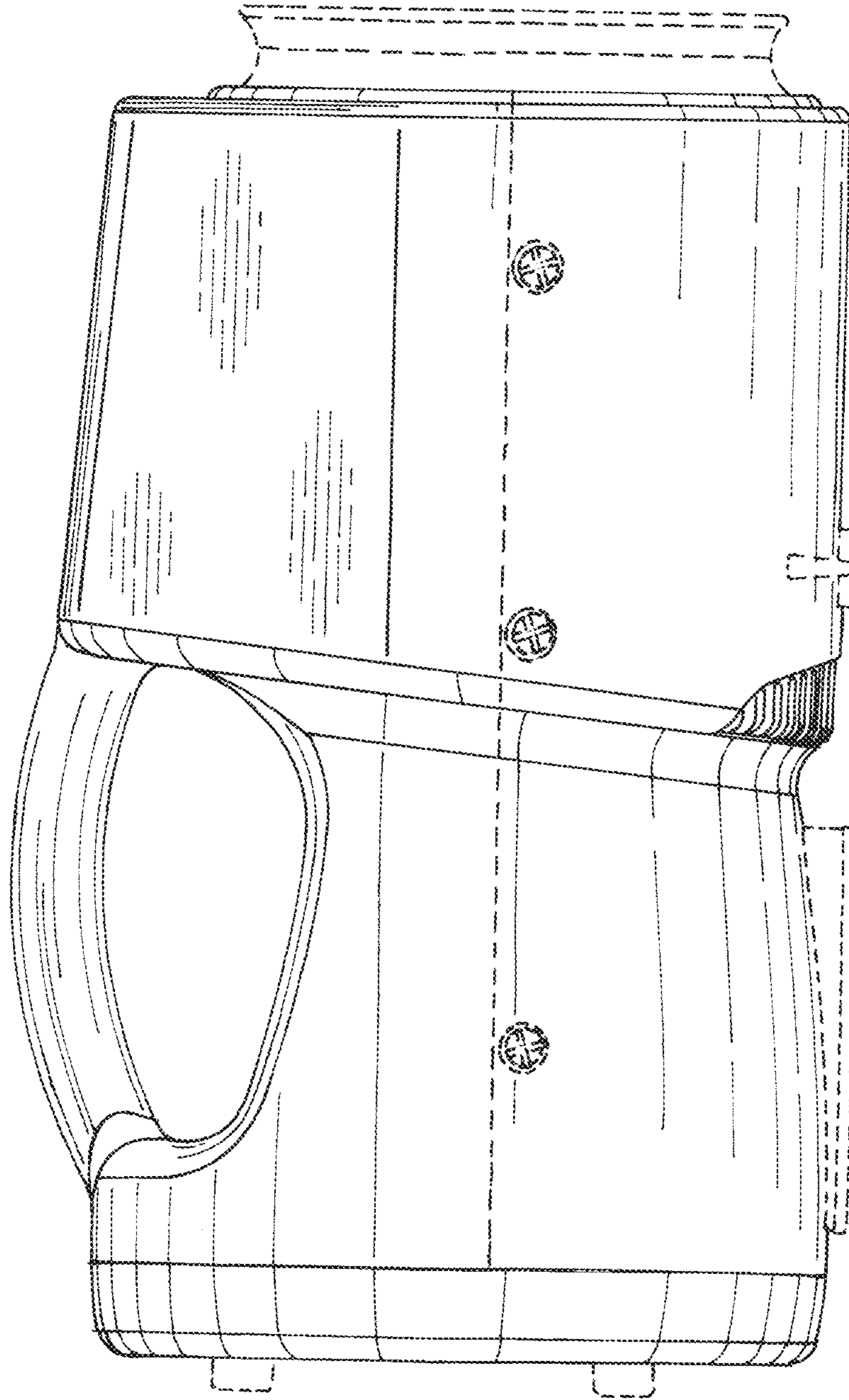


FIG. 5

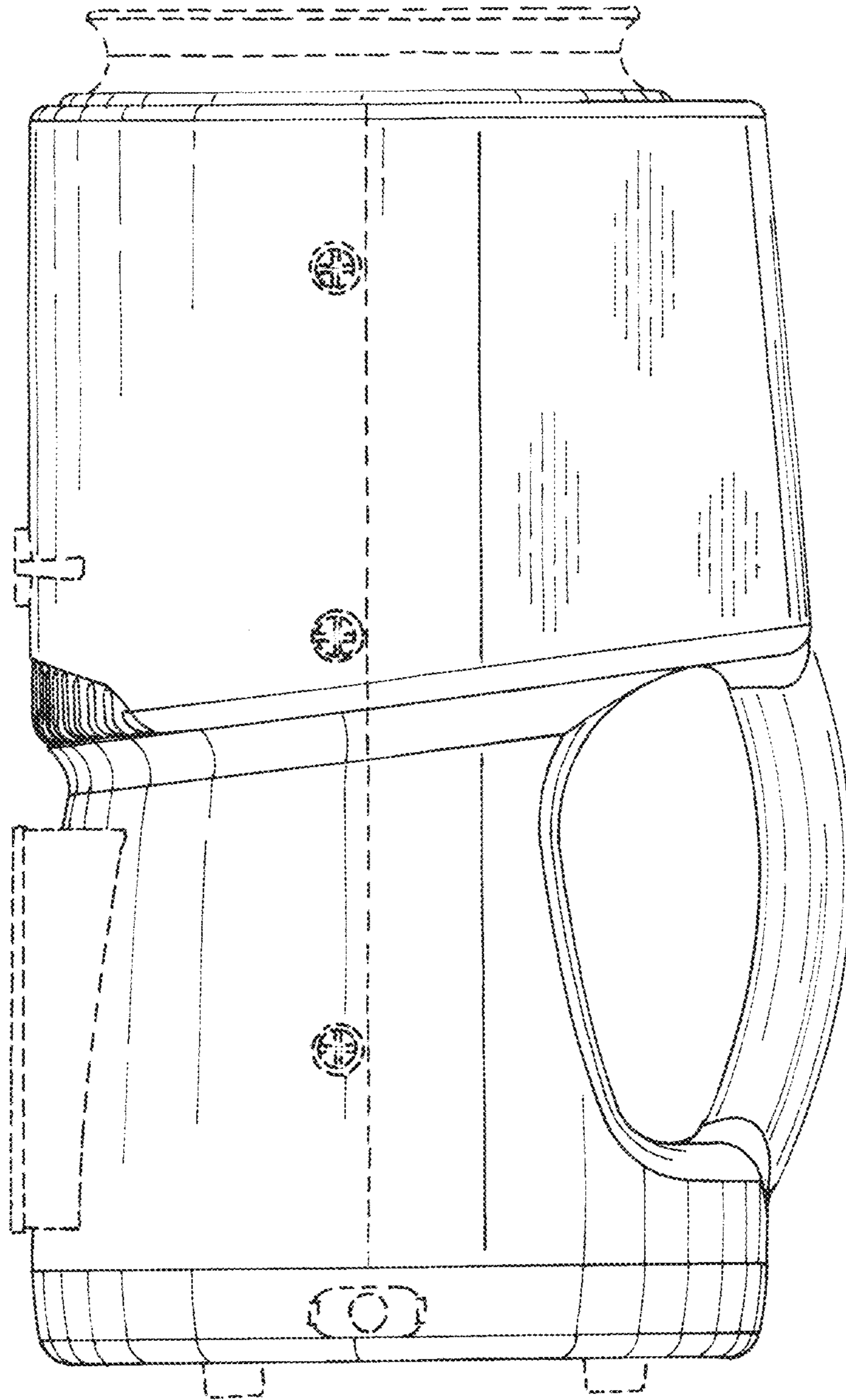


FIG. 6

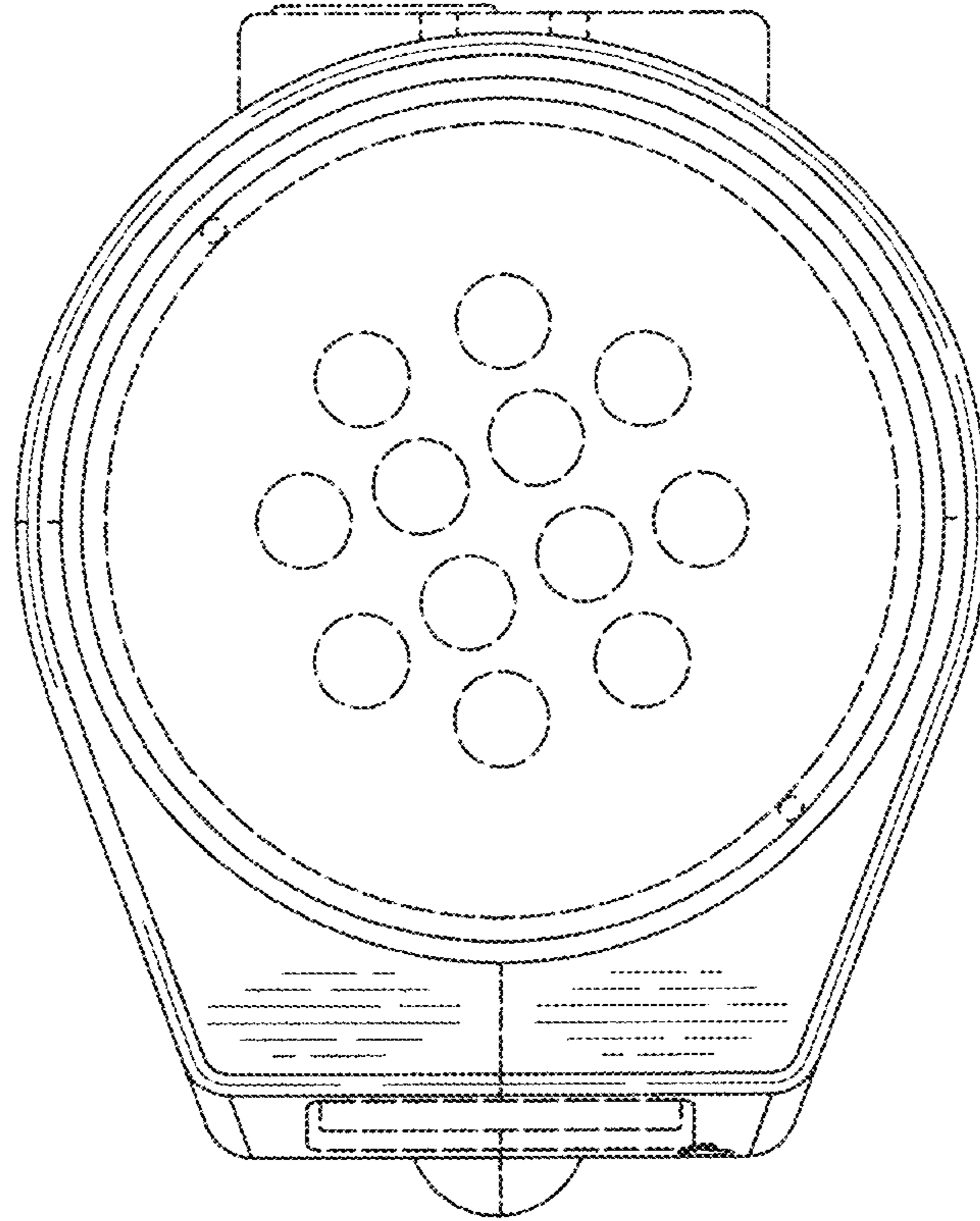


FIG. 7

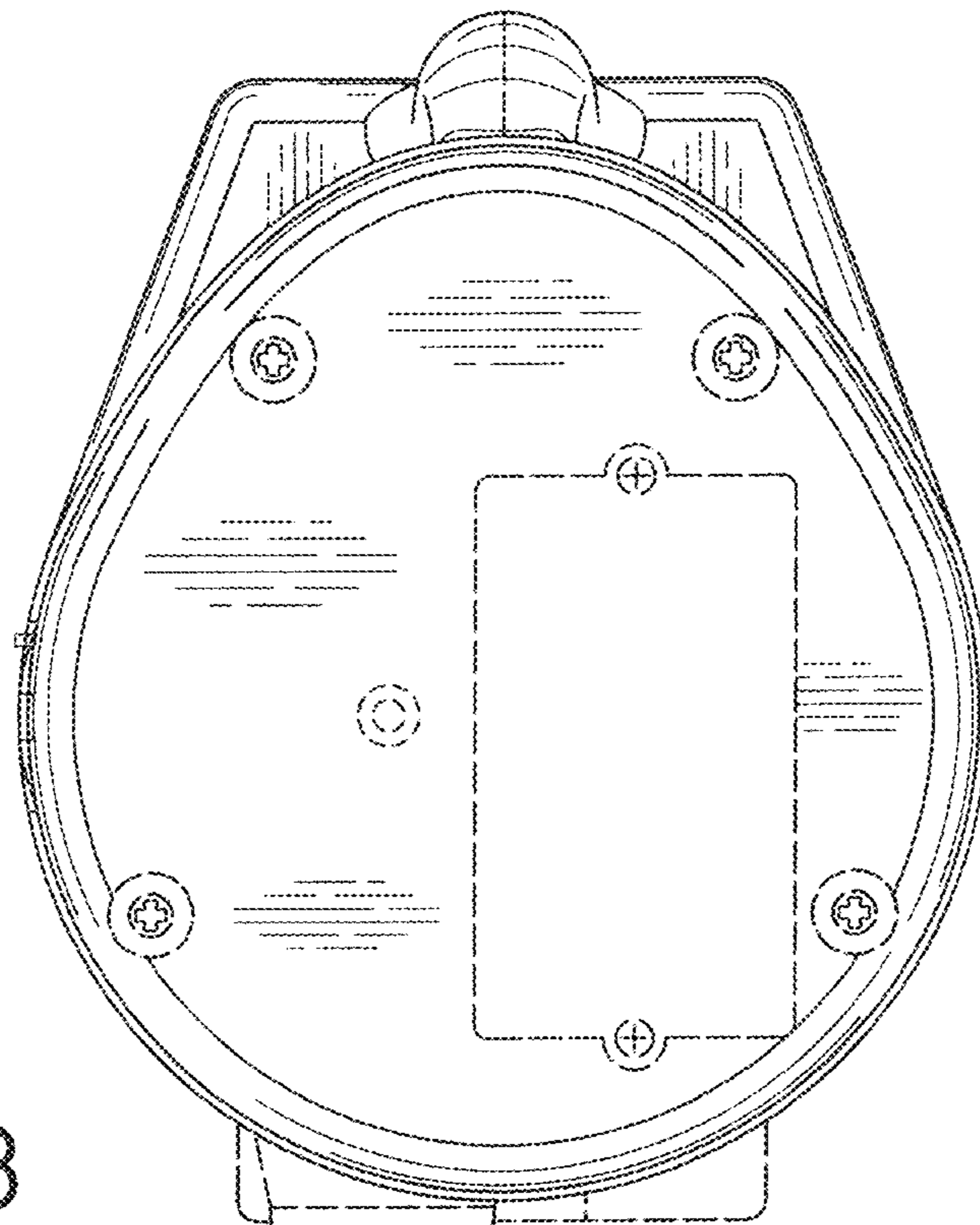


FIG. 8

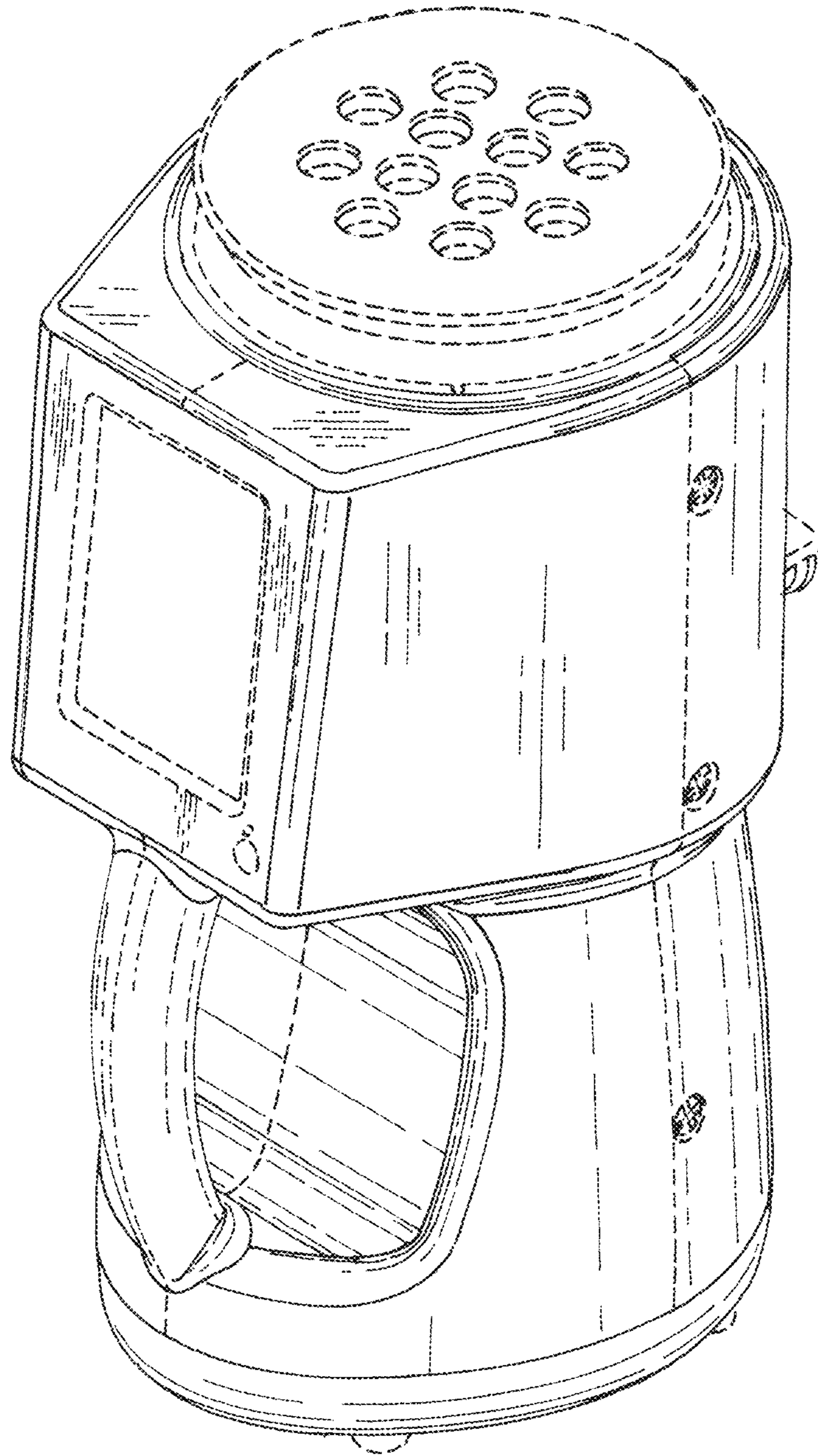


FIG. 9

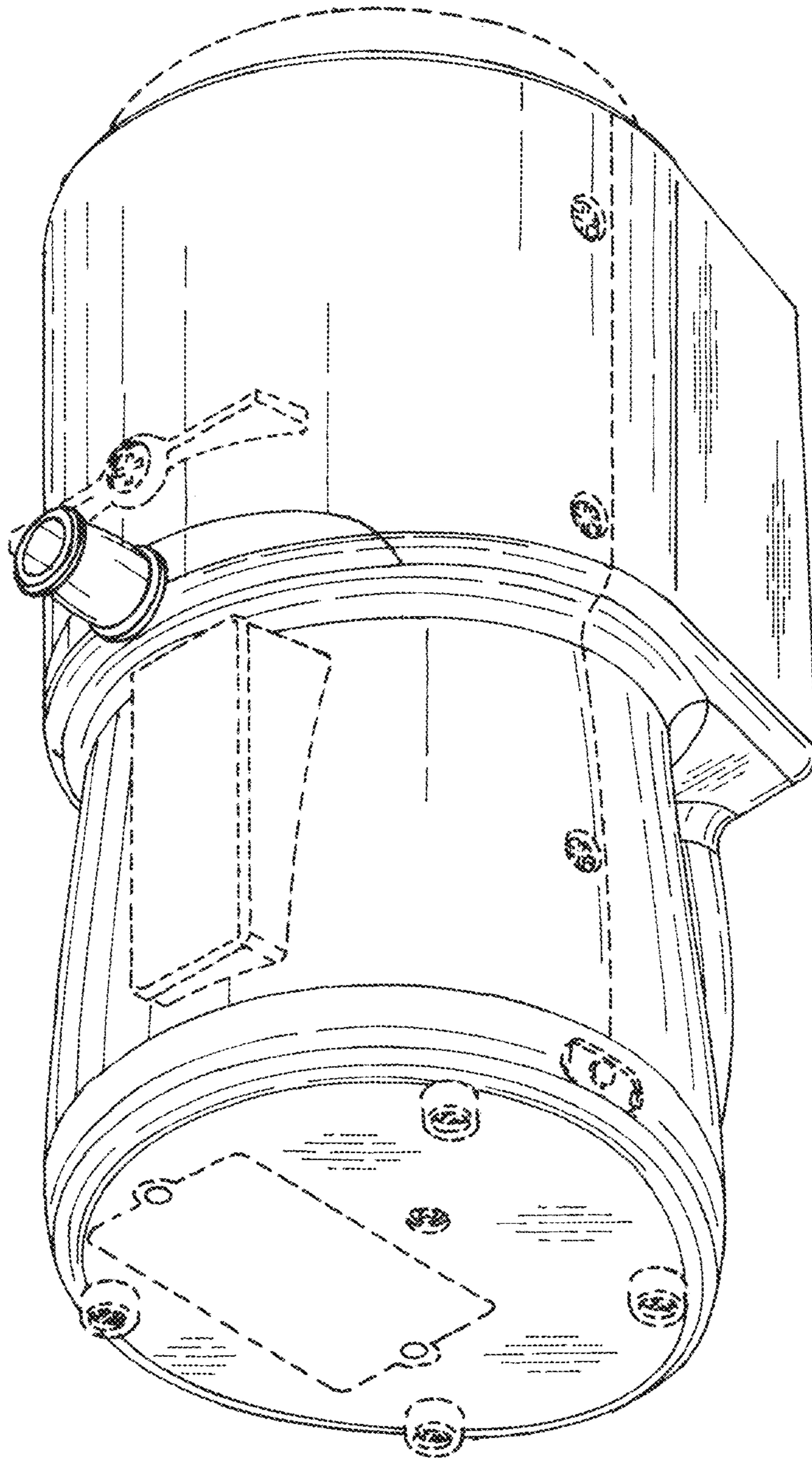


FIG. 10

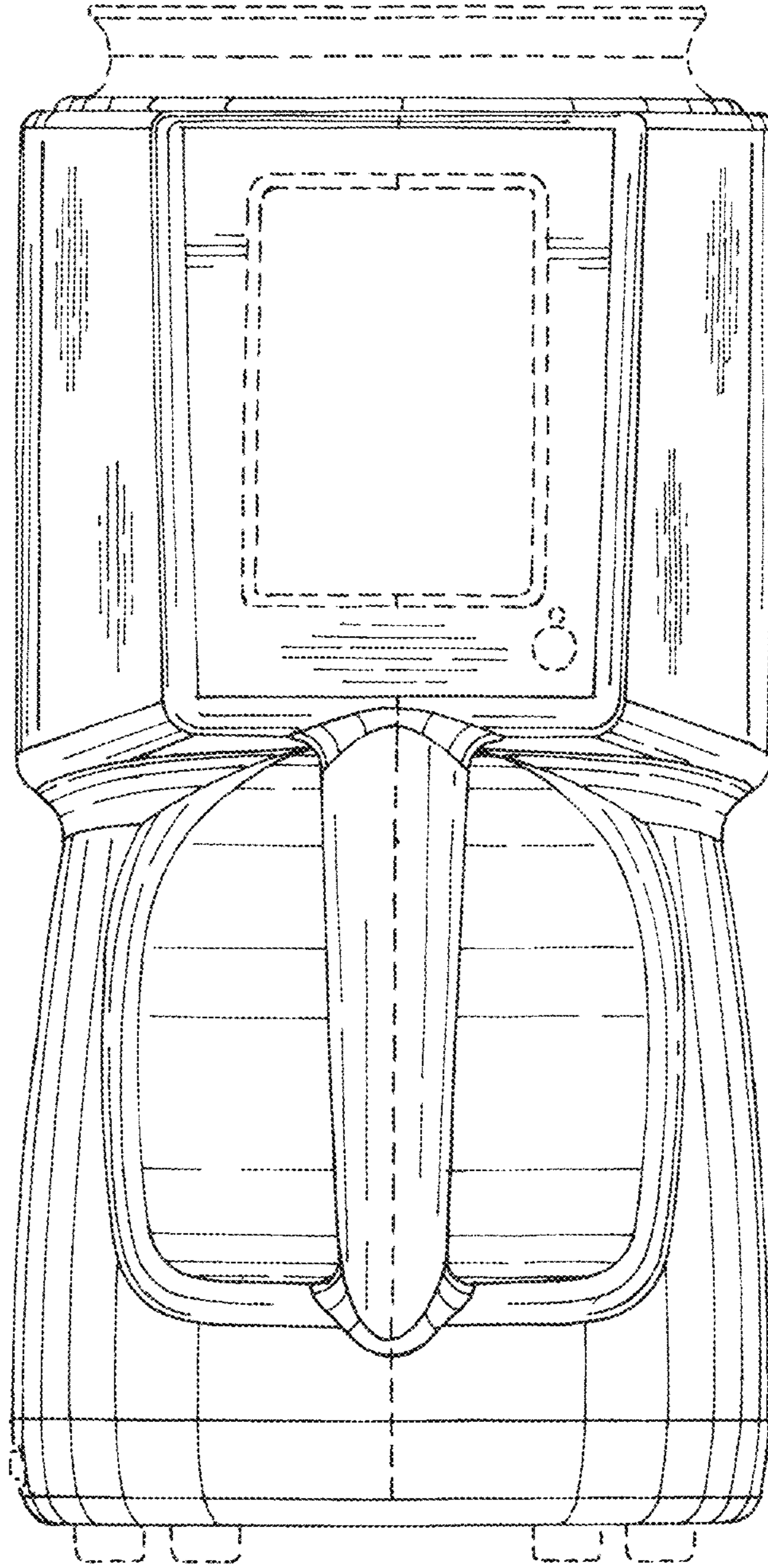


FIG. 11

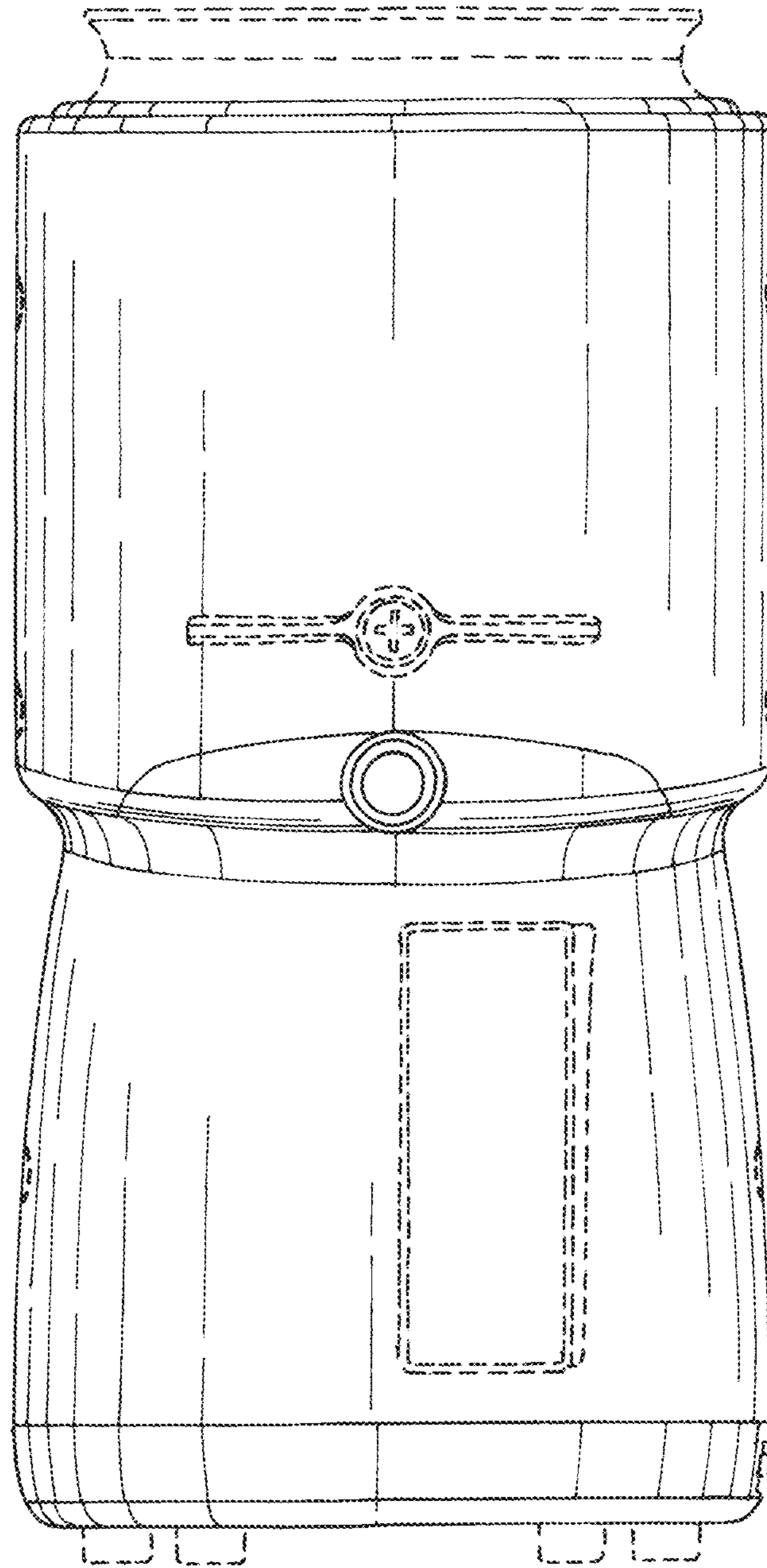


FIG. 12

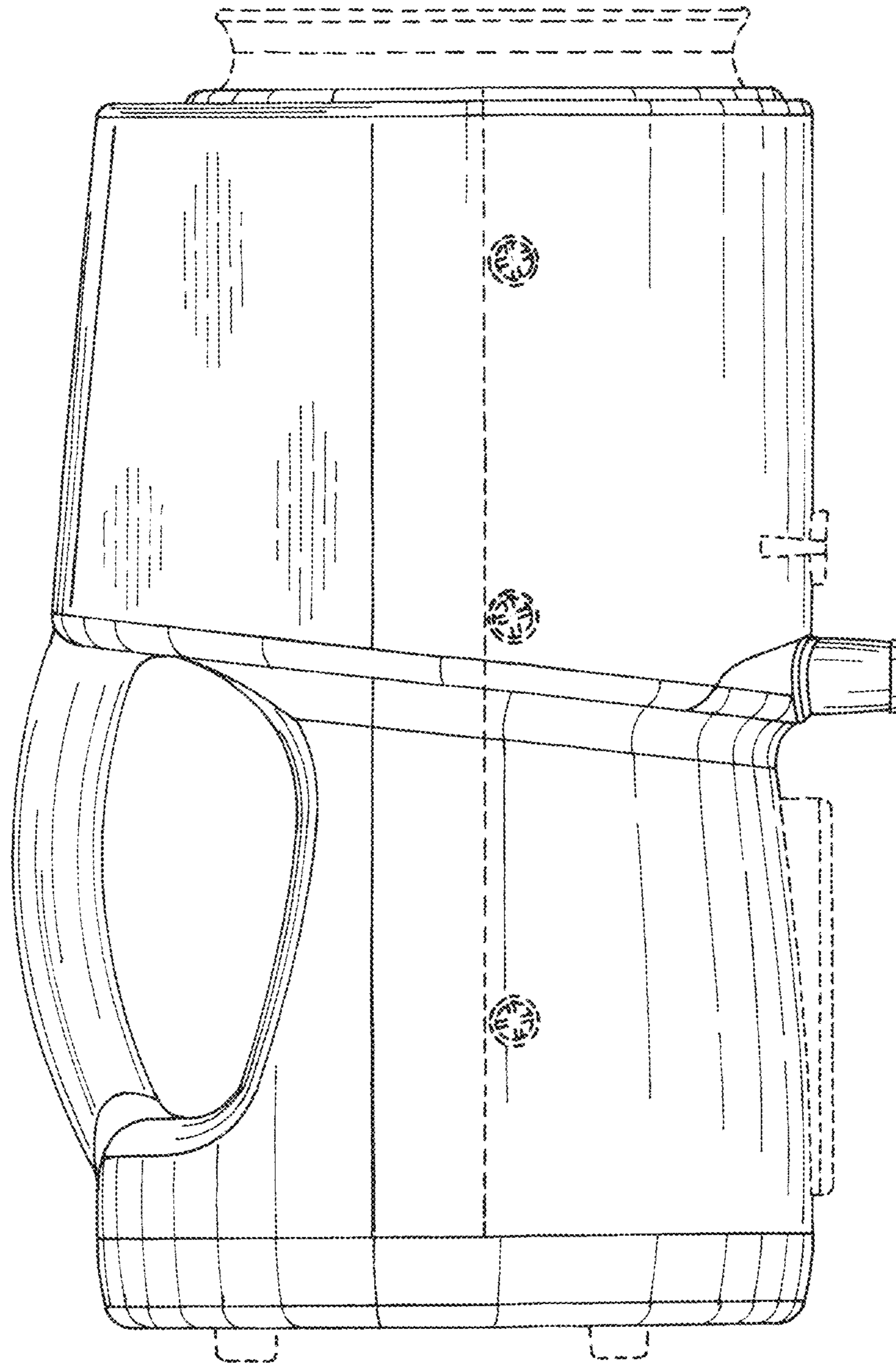


FIG. 13

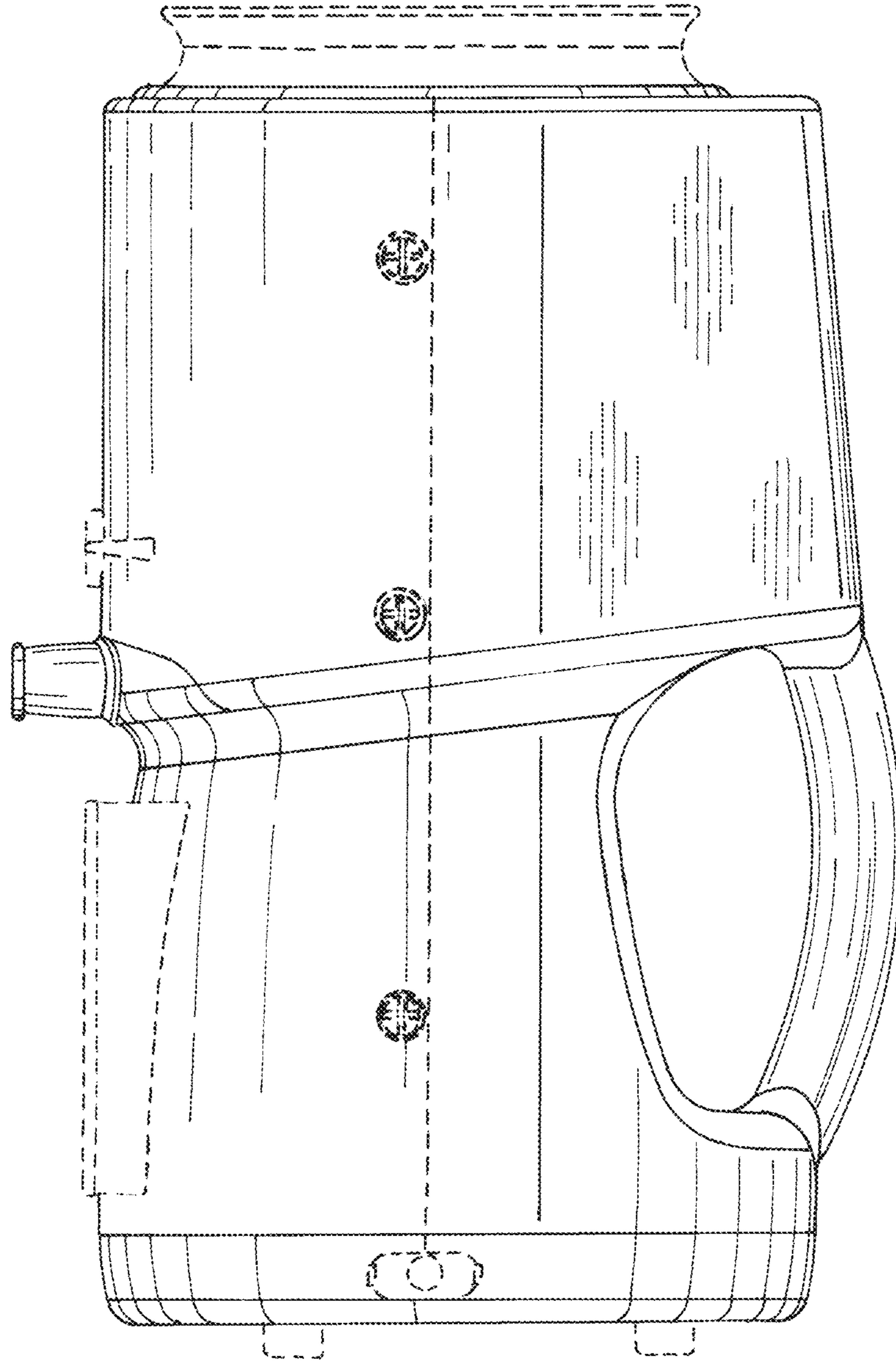


FIG. 14

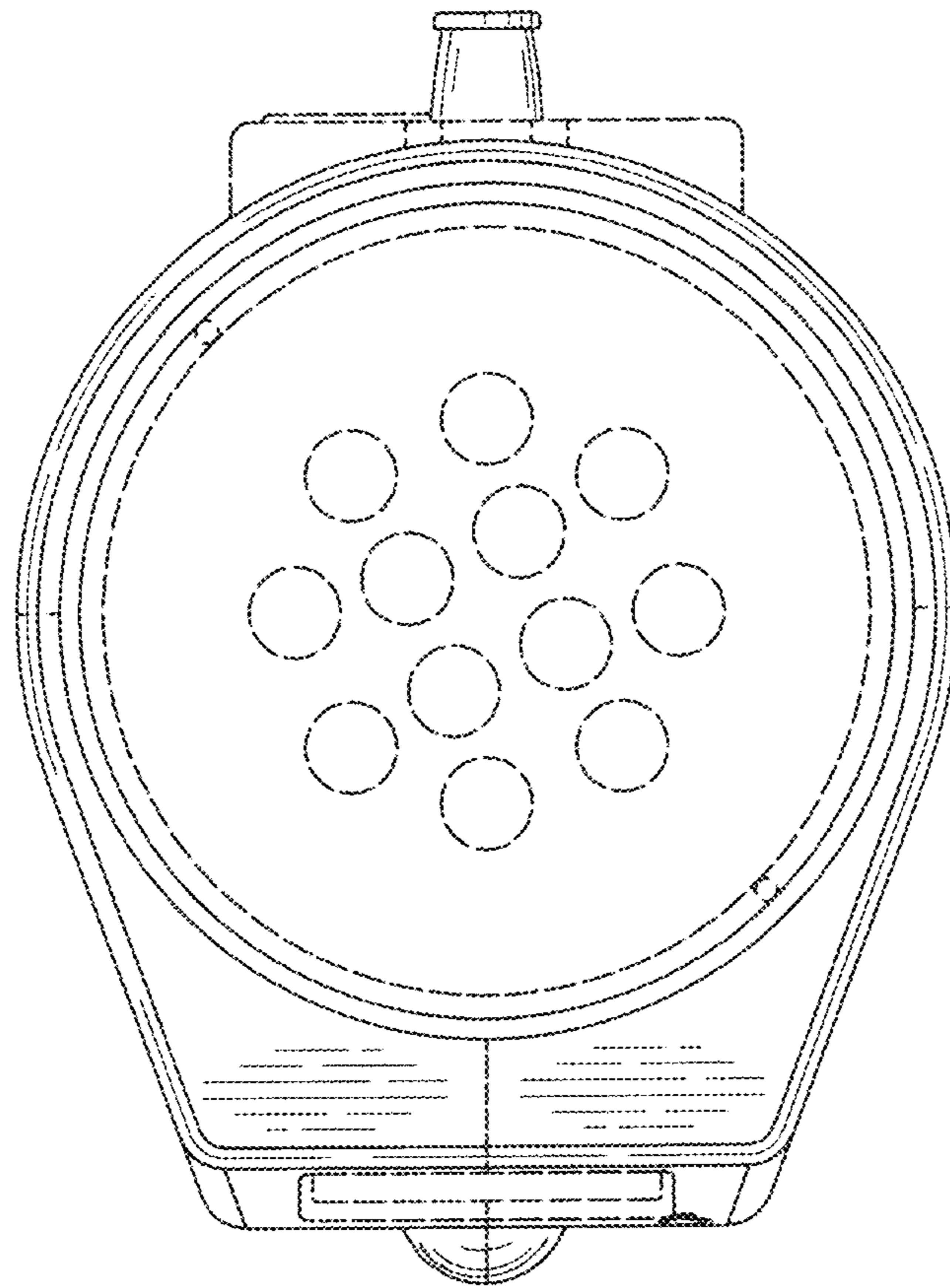


FIG. 15

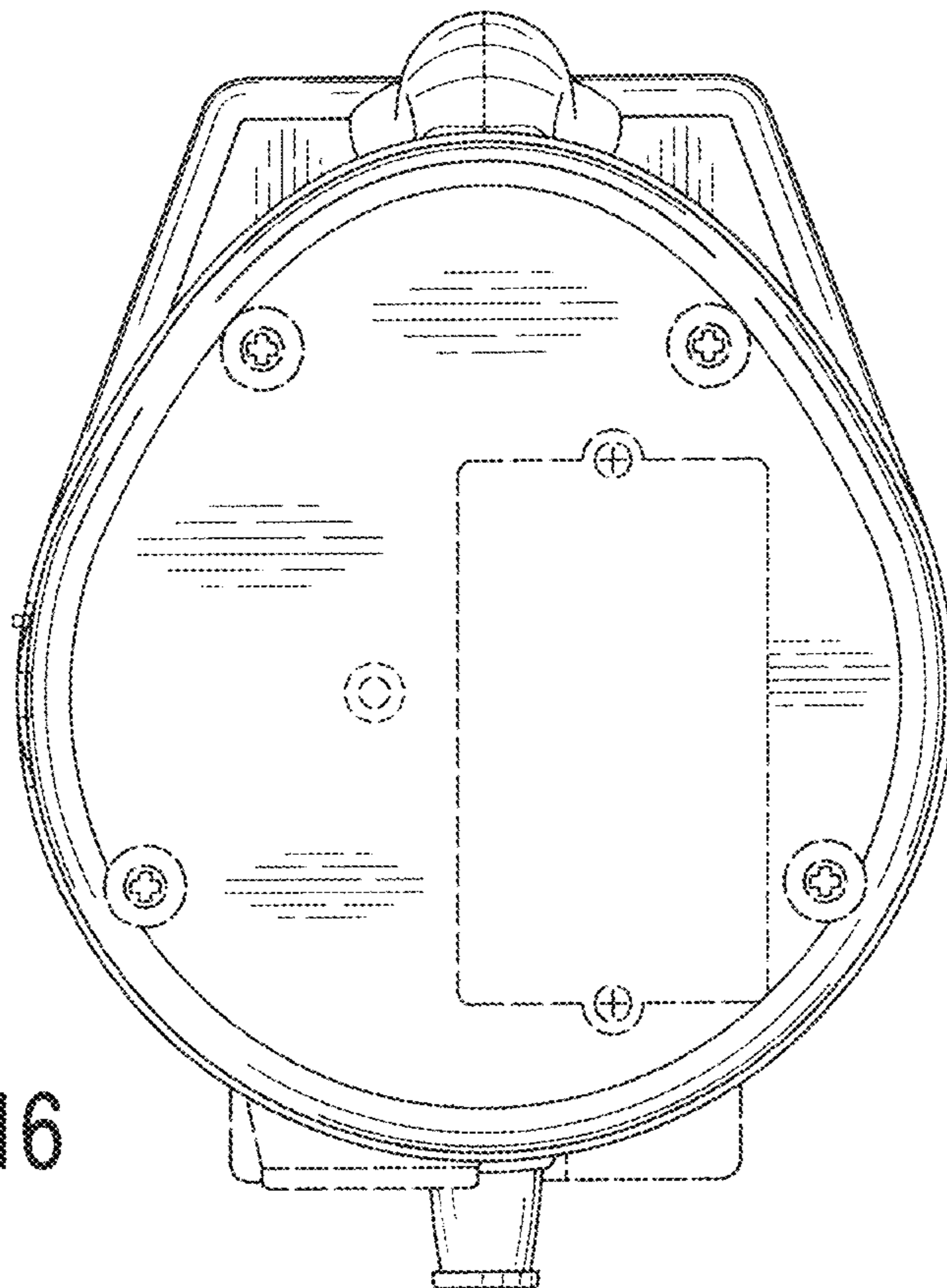


FIG. 16