



US00D877923S

(12) **United States Design Patent** (10) **Patent No.:** **US D877,923 S**
Strahan et al. (45) **Date of Patent:** **** Mar. 10, 2020**

(54) **COMBINED PHOTOBIO-MODULATION THERAPY DEVICE AND MOUNTING APPARATUS**

D713,970 S * 9/2014 Olofsson D24/200
9,227,082 B2 1/2016 McDaniel
D762,870 S * 8/2016 Singh D24/210
D848,046 S * 5/2019 Zhuo D26/67
D857,273 S * 8/2019 Zou D26/80
D860,501 S * 9/2019 Heiner D26/76

(71) Applicant: **Joovv, Inc.**, San Clemente, CA (US)

(Continued)

(72) Inventors: **Justin Strahan**, San Clemente, CA (US); **Scott Nelson**, San Clemente, CA (US)

OTHER PUBLICATIONS

(73) Assignee: **Joovv, Inc.**, San Clemente, CA (US)

Kind LED Grow Lights, "Kind LED Grow Lights K5 Series Instructions"—Downloaded on Oct. 1, 2018 from <https://www.kindledgrowlights.com/pages/k5-setup>.

(**) Term: **15 Years**

Kind LED Grow Lights, "Kind LED Grow Lights—Voted Best LED Grow Lights of 2014!"—Downloaded on Oct. 2, 2018 from <https://www.youtube.com/watch?v=NQDWBXIMxrk>; prior part publication at least as of May 26, 2017.

(21) Appl. No.: **29/695,831**

(Continued)

(22) Filed: **Jun. 21, 2019**

Related U.S. Application Data

Primary Examiner — Anhdao Doan

(63) Continuation-in-part of application No. 16/167,385, filed on Oct. 22, 2018.

(57) **CLAIM**

(51) **LOC (12) Cl.** **28-03**

The ornamental design for a combined photobiomodulation therapy device and mounting apparatus, as shown and described.

(52) **U.S. Cl.**
USPC **D24/210**

DESCRIPTION

(58) **Field of Classification Search**
USPC D24/107, 186, 200, 209, 210, 231;
D26/67–69, 74, 76, 80, 93, 106, 110, 120
CPC A61N 5/062; A61N 5/0616; A61N 5/0618;
A61N 2005/0629; A61N 2005/0636;
A61N 2005/064; A61N 2005/0643; A61N
2005/0644; A61N 2005/0659; A61N
2005/0662; A61N 2005/0663; A61B
2018/00452; A61B 2018/1807

FIG. 1 is a front, first side, and top perspective view of a combined photobiomodulation therapy device and mounting apparatus embodying the new design;

FIG. 2 is a back, second side, and top perspective view thereof;

FIG. 3 is a front view thereof;

FIG. 4 is a back view thereof;

FIG. 5 is a first side view thereof;

FIG. 6 is a second side view thereof;

FIG. 7 is a top view thereof; and,

FIG. 8 is a bottom view thereof.

The broken lines illustrate portions of the combined photobiomodulation therapy device and mounting apparatus that form no part of the claimed design; the broken lines and the unshaded surfaces form no part of the claimed design.

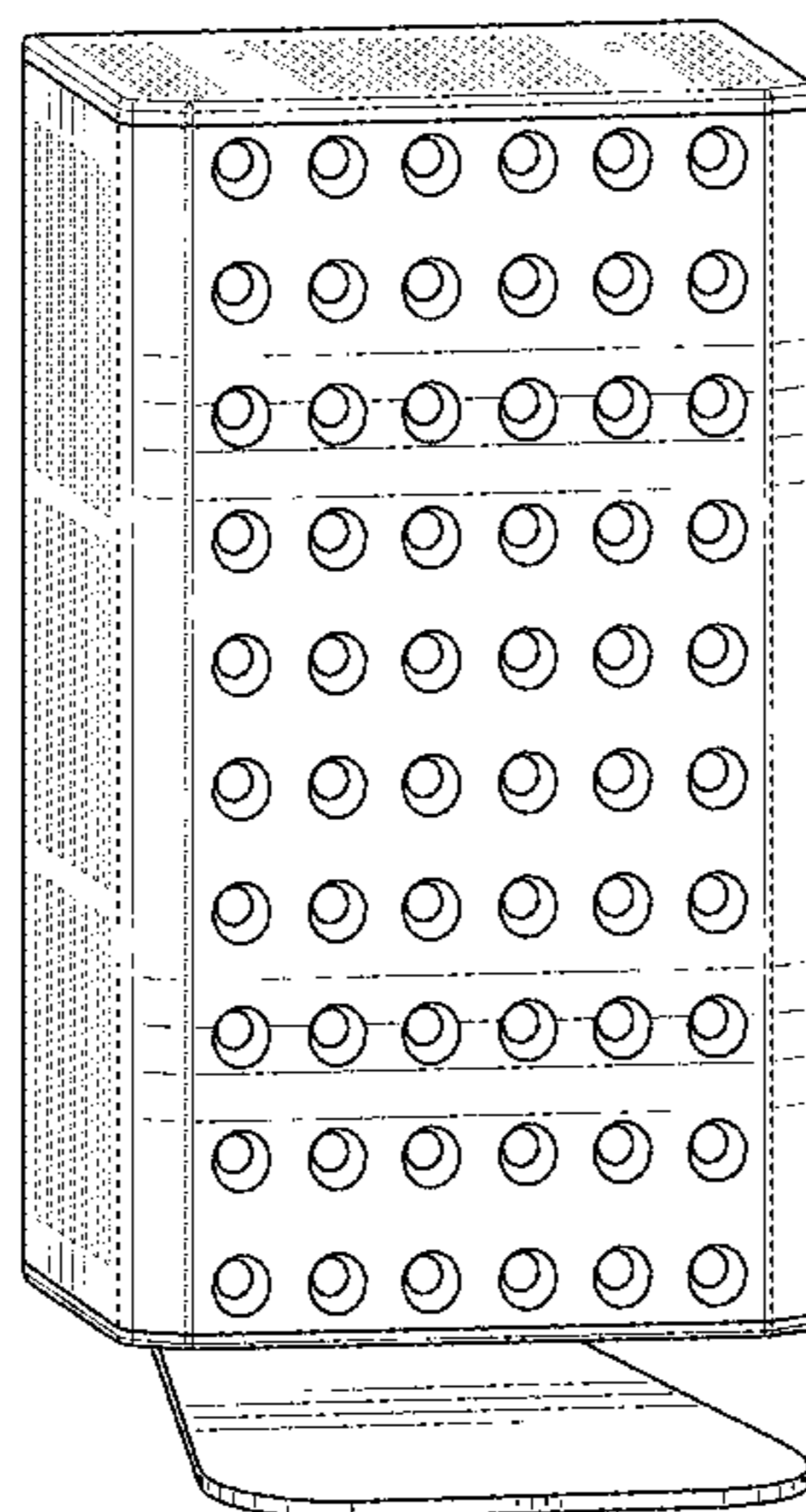
See application file for complete search history.

(56) **References Cited**

U.S. PATENT DOCUMENTS

D402,763 S * 12/1998 Bring D24/210
6,626,932 B2 9/2003 Whitehurst
D517,699 S * 3/2006 Lansohn D24/210
D679,440 S * 4/2013 Smith D26/76
D704,851 S * 5/2014 Douglas D24/209

1 Claim, 8 Drawing Sheets



(56)

References Cited

U.S. PATENT DOCUMENTS

D861,232	S *	9/2019	McClow	D26/120
D861,971	S *	10/2019	Duckworth	D26/120
D864,455	S *	10/2019	Sullivan	D26/76
10,478,635	B1 *	11/2019	Nelson	A61N 5/0616
2004/0260365	A1 *	12/2004	Groseth	A61N 5/062 607/88
2006/0229689	A1	10/2006	Ferguson		
2007/0129777	A1	6/2007	Bolta		
2008/0119831	A1	5/2008	Myeong		
2011/0054573	A1	3/2011	Mitchell		
2012/0104977	A1 *	5/2012	McKenzie	A01G 7/045 315/312
2017/0216616	A1 *	8/2017	Boyajian	A61B 5/0082
2018/0236259	A1 *	8/2018	Nelson	A61N 5/0616
2019/0216927	A1 *	7/2019	Lundahl	A61N 5/062

OTHER PUBLICATIONS

Kind LED Grow Lights, “K5 Series XL1000 Indoor LED Grow Light”—Downloaded on Oct. 4, 2018 from <https://www.kindledgrowlights.com/products/k5-xl1000>.

Swedish LED Grow Lights, “300W Full Spectrum Led Grow Lights 85-265V 5730SMD USA/DE/AU/CA Stock Hanging Kit for Plants Veg Hydroponics Grow Led”—Downloaded on Jun. 5, 2017 from <http://swedishledgrowlights.com/product/300w-full-spectrum-led-grow-lights-85-265v-5730smd-usa-de-au-ca-stock-hanging-kit-for-plants-veg-hydroponics-grow-led/>.

Warp Light, “About the Quantum Light Warp 10®”—Downloaded on Sep. 19, 2019 from https://www.warp-light.com/Quantum_light_warp_10.html; prior art publication at least as of Nov. 30, 2012.

* cited by examiner

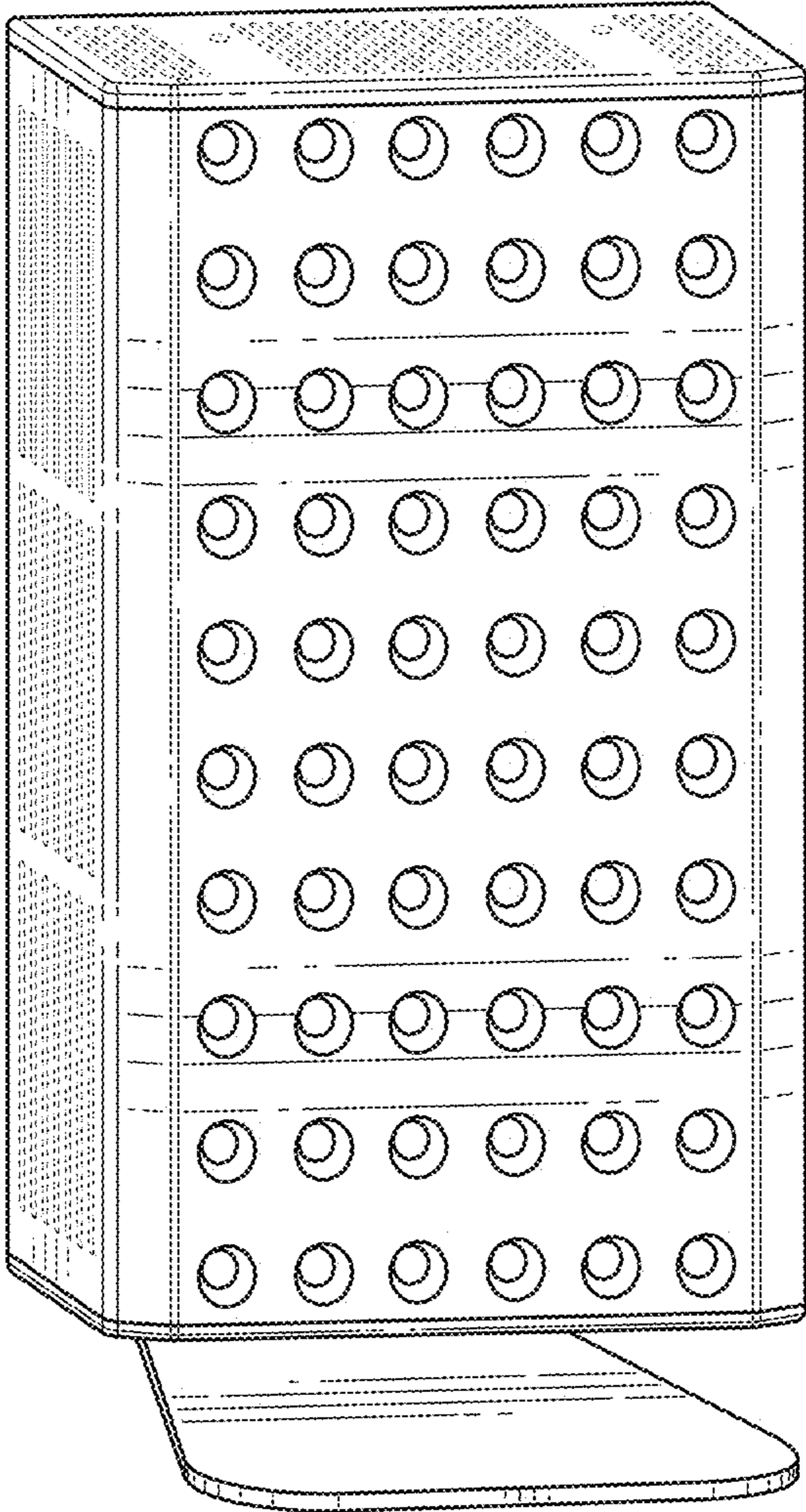


FIG. 1

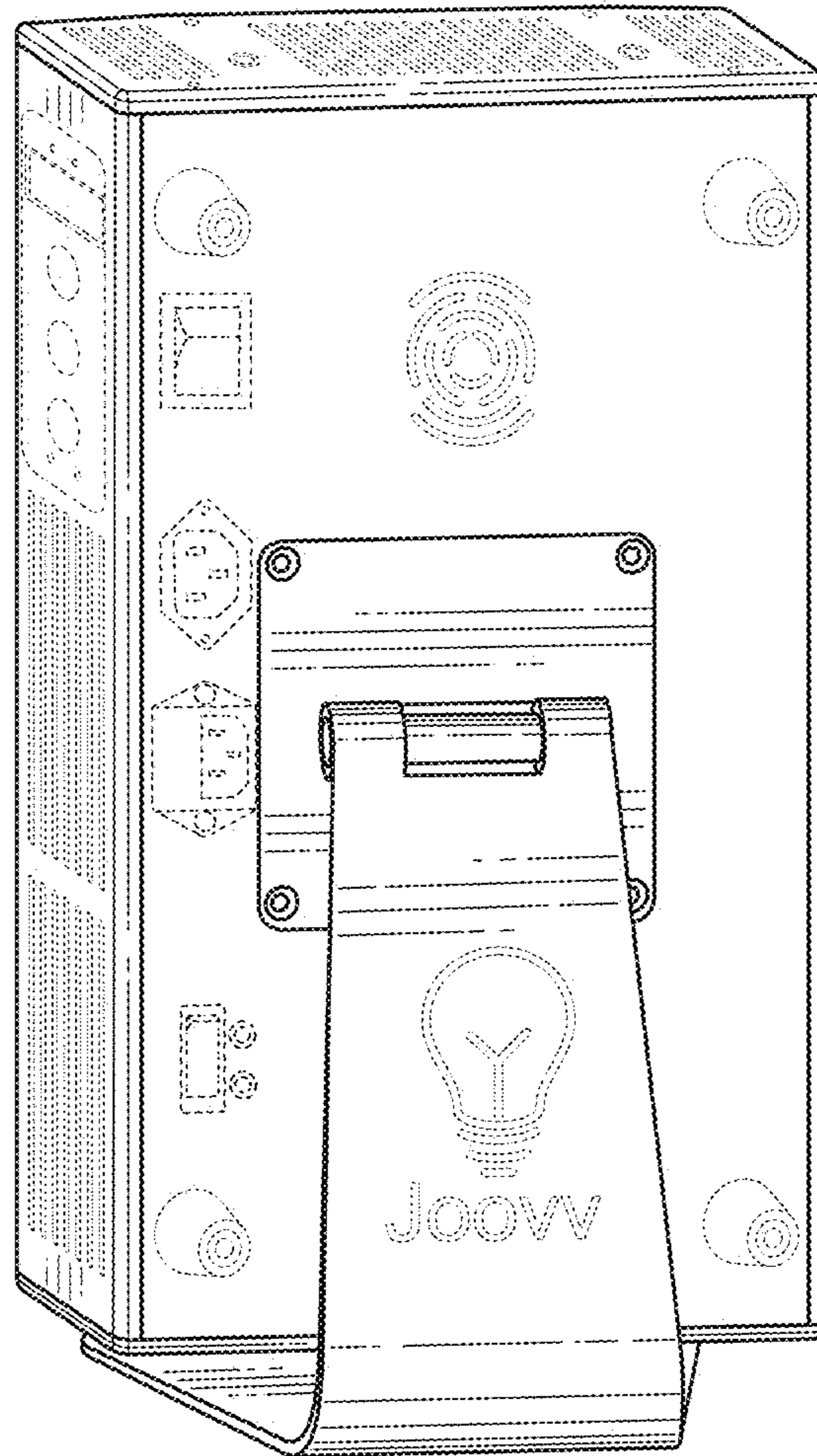


FIG. 2

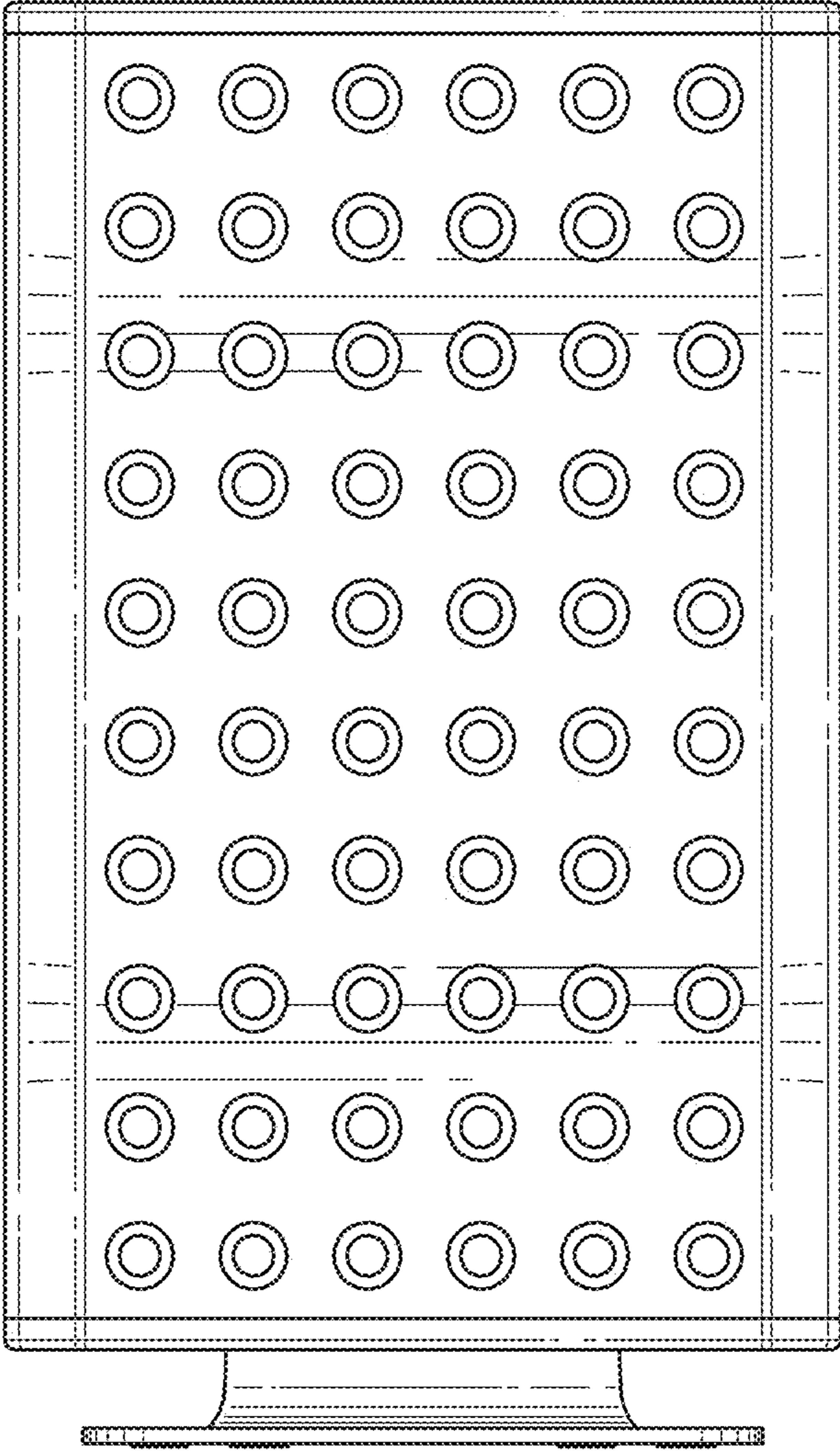


FIG. 3

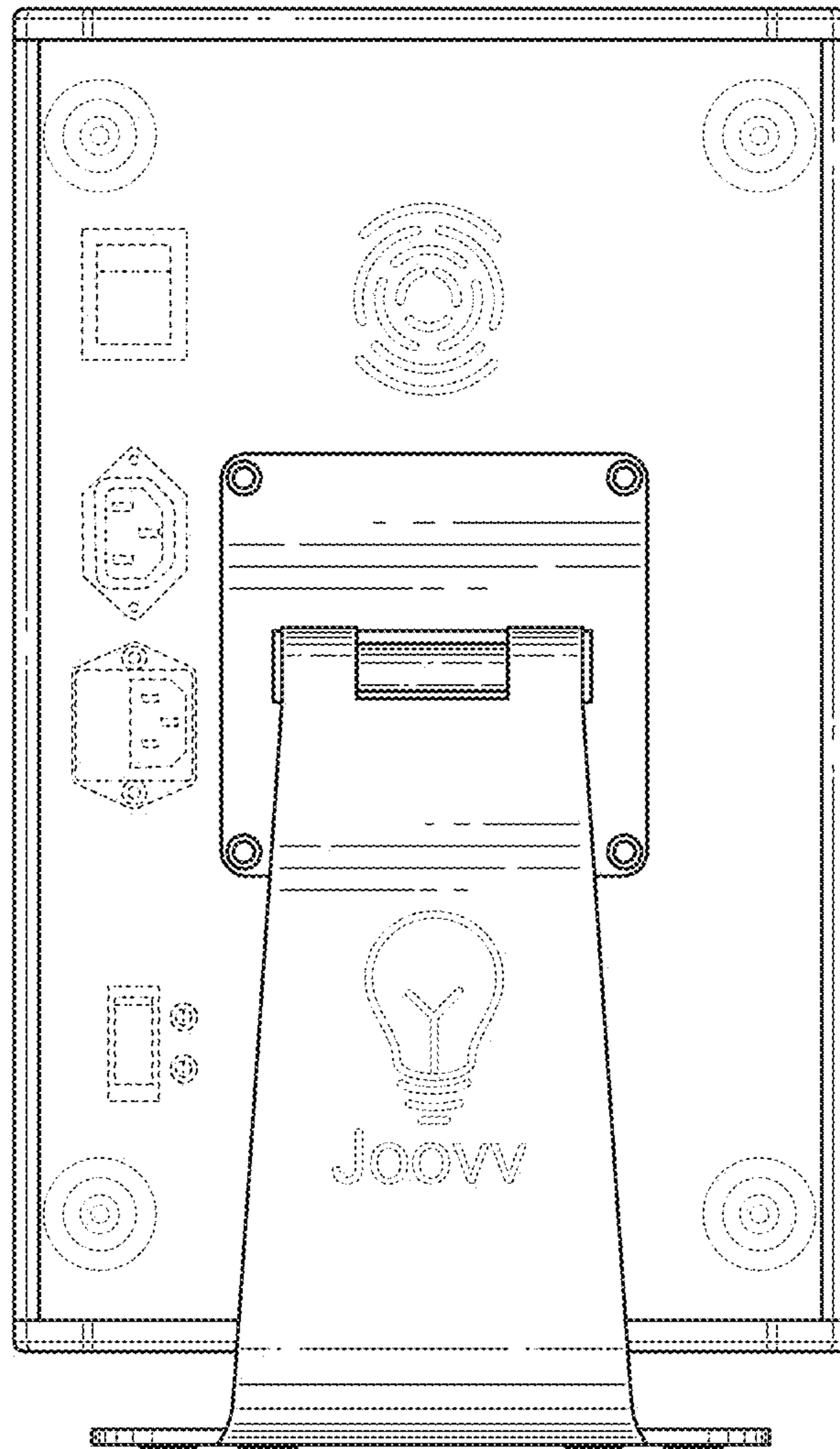


FIG. 4

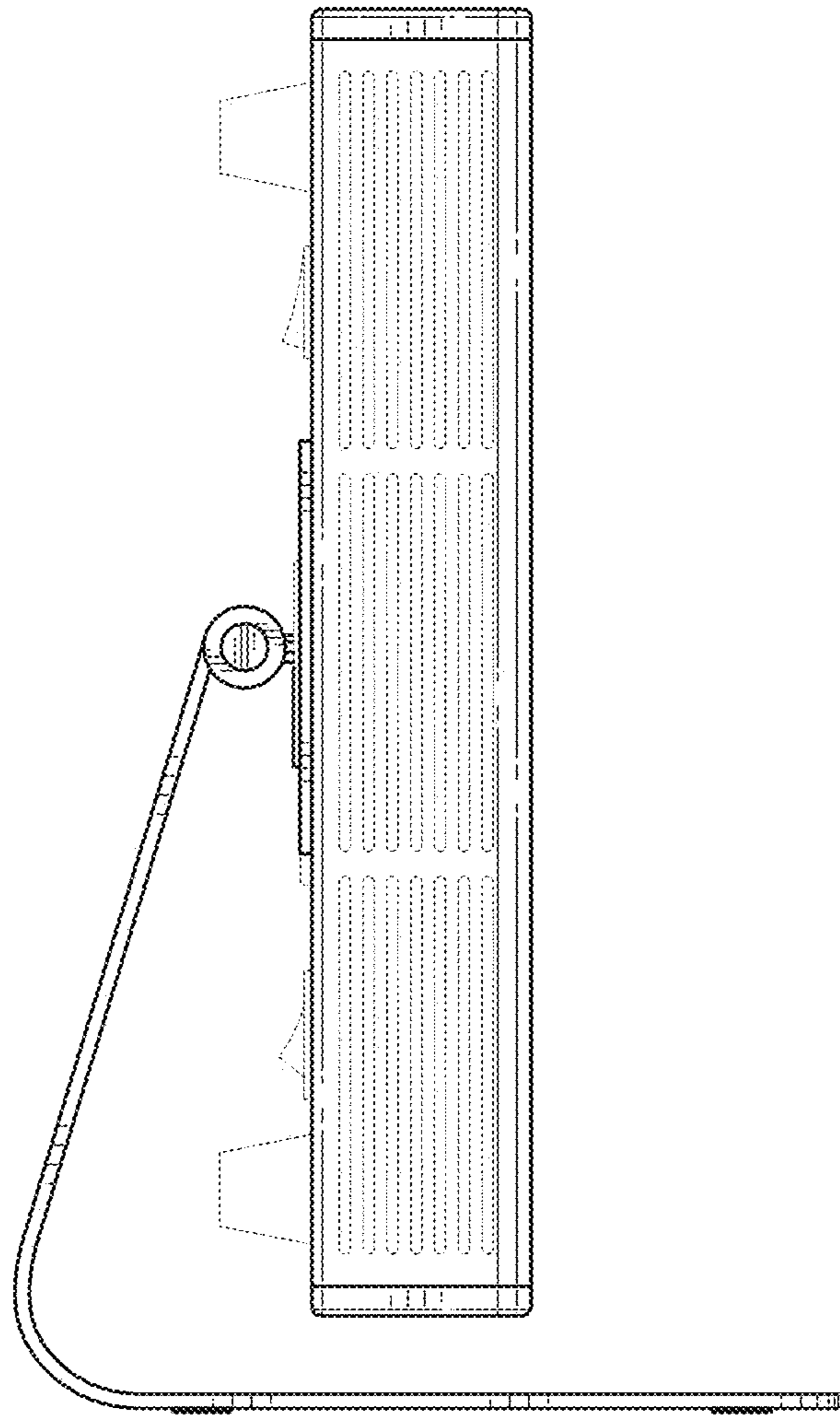


FIG. 5

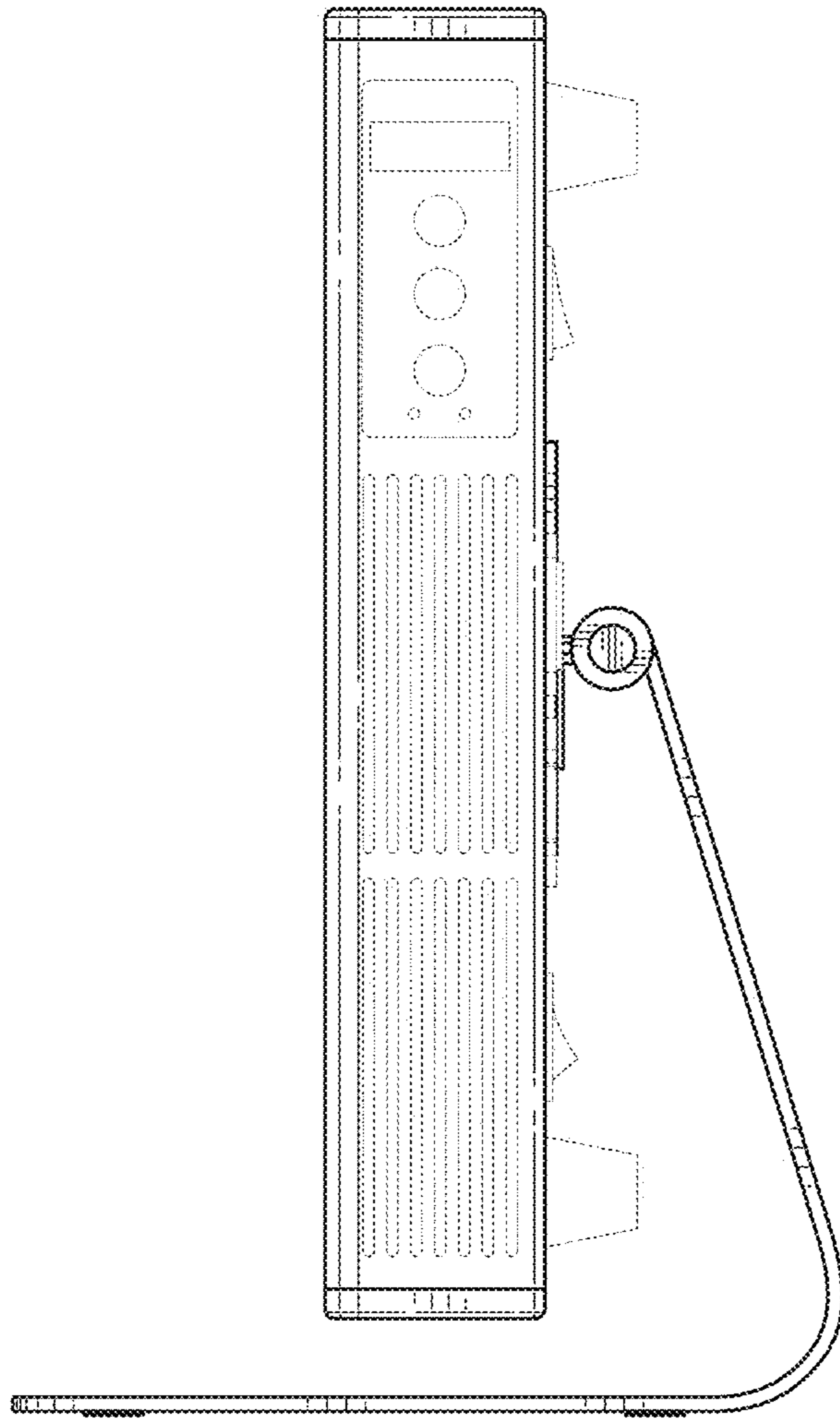


FIG. 6

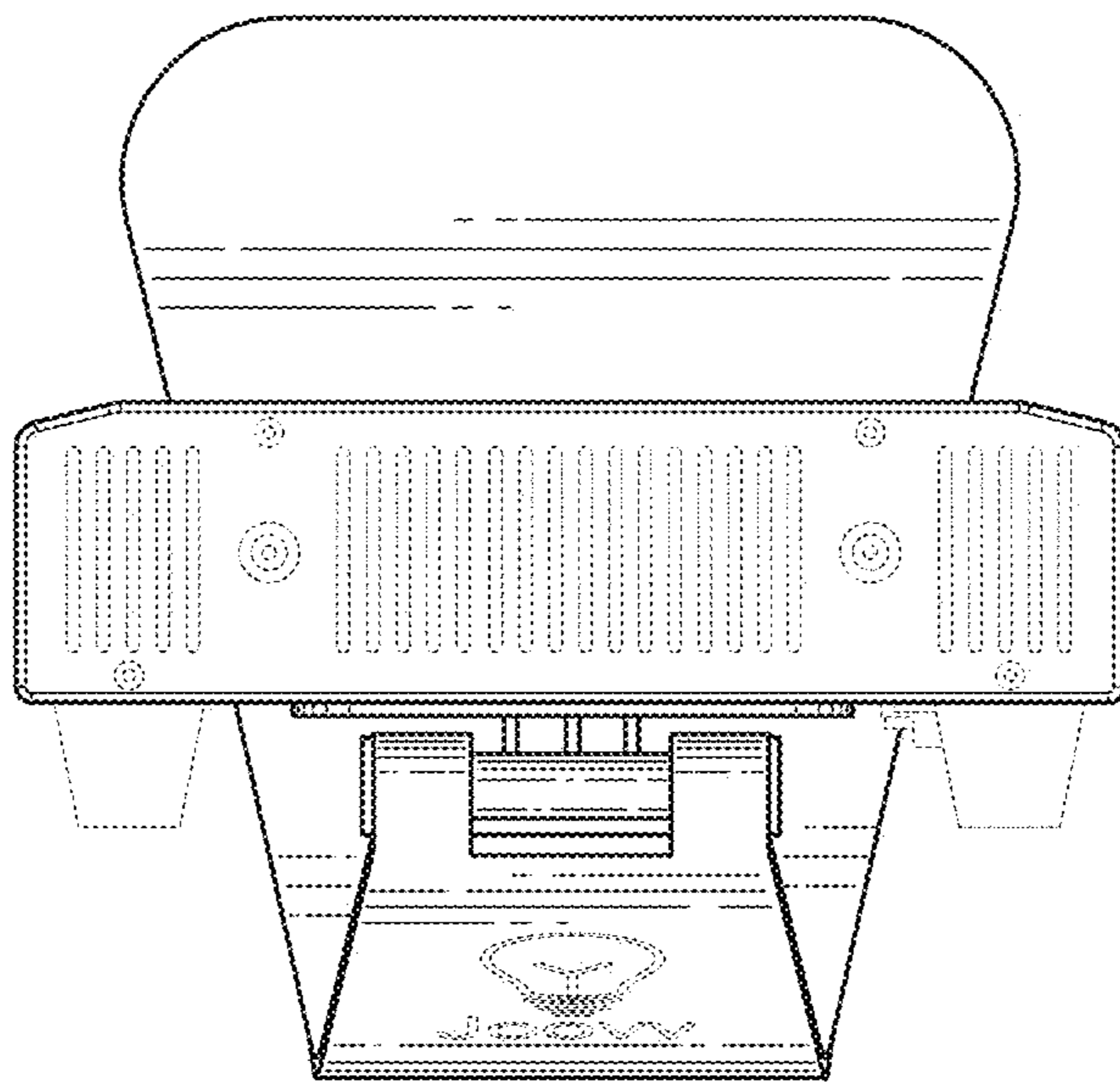


FIG. 7

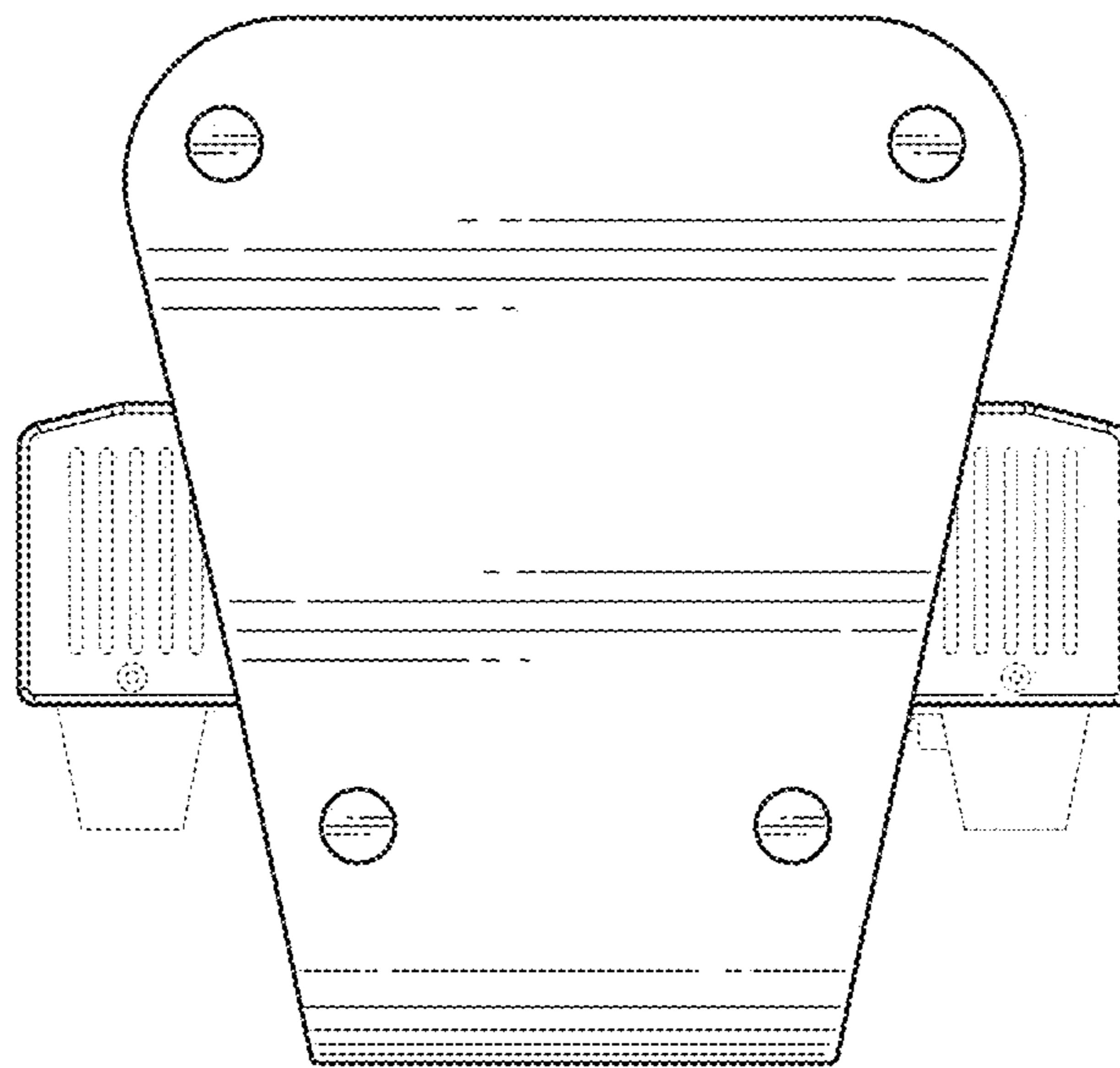


FIG. 8