



US00D877917S

(12) **United States Design Patent** (10) **Patent No.:** **US D877,917 S**
Schill (45) **Date of Patent:** **** Mar. 10, 2020**

(54) **TEETHING TUBE**
(71) Applicant: **BABY TEETHING TUBES L.L.C.**,
Campbellsport, WI (US)
(72) Inventor: **Trevor Schill**, Campbellsport, WI (US)
(73) Assignee: **BABY TEETHING TUBES L.L.C.**,
Campbellsport, WI (US)

D655,057 S 2/2012 Blair
D674,494 S 1/2013 Roehrig et al.
D677,439 S 3/2013 Renforth
D682,436 S 5/2013 Lowsky
D692,569 S 10/2013 Samurin
D697,274 S * 1/2014 Thorne D24/194
D712,050 S * 8/2014 Blachford D24/194
D721,439 S 1/2015 Swartz
D724,235 S * 3/2015 Kuneyl D24/215
D733,813 S * 7/2015 Schauenburg D21/662
(Continued)

(**) Term: **15 Years**
(21) Appl. No.: **29/616,093**
(22) Filed: **Sep. 1, 2017**

Related U.S. Application Data

(63) Continuation of application No. 29/519,675, filed on
Mar. 6, 2015, now Pat. No. Des. 797,947.
(51) **LOC (12) Cl.** **24-04**
(52) **U.S. Cl.**
USPC **D24/194**
(58) **Field of Classification Search**
USPC D24/115, 117, 193, 194, 195, 196, 214;
D30/160; D21/621, 625, 627
CPC A61J 17/00
See application file for complete search history.

(56) **References Cited**

U.S. PATENT DOCUMENTS

2,115,405 A * 4/1938 Allen A61J 17/02
606/235
D336,520 S 6/1993 McDaniel
D337,827 S * 7/1993 Seng D24/211
D358,111 S * 5/1995 Gregory D30/160
D383,307 S * 9/1997 Klein D24/194
D417,319 S 11/1999 Weiss, Jr.
6,200,283 B1 * 3/2001 Groen A61H 15/00
601/121
D584,823 S 1/2009 Conlon
D584,864 S 1/2009 Matthews

OTHER PUBLICATIONS

“Chew Noodle Blue”. Found online Nov. 17, 2016 at amazon.com.
Page dated Mar. 27, 2012. Retrieved from https://www.amazon.com/Chewnoodle-Chew-Noodle-Blue/dp/B004IL8MES/ref=cm_cr_arp_d_product_top?ie=UTF8.

(Continued)

Primary Examiner — Kendra Leslie Hamilton
(74) *Attorney, Agent, or Firm* — Folley & Lardner LLP

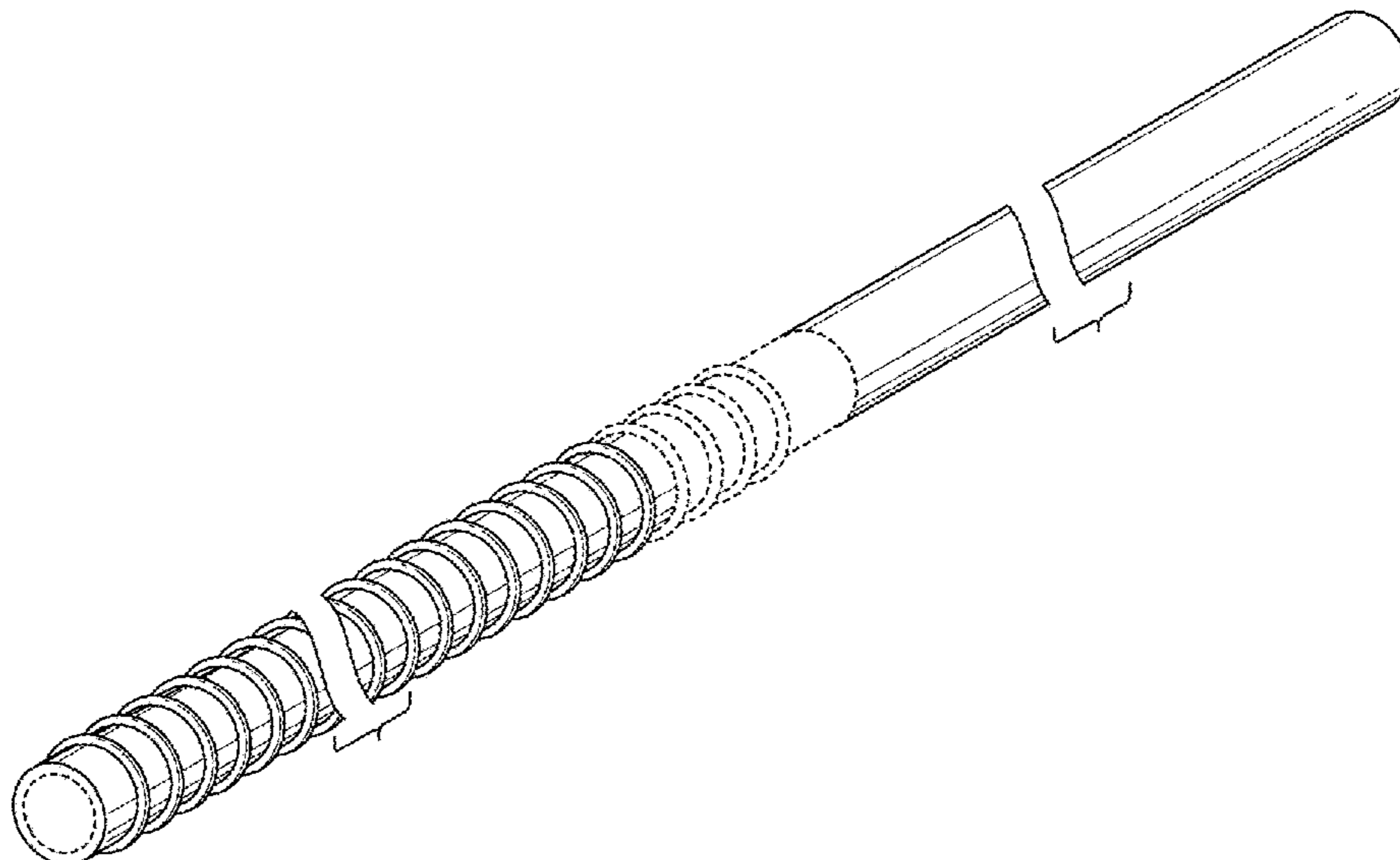
(57) **CLAIM**

I claim the ornamental design for a teething tube, as shown
and described.

DESCRIPTION

FIG. 1 is a left side perspective view of a teething tube,
shown my new design;
FIG. 2 is a right side perspective view thereof;
FIG. 3 is a top plan view thereof;
FIG. 4 is a bottom plan view thereof; and,
FIG. 5 is a front elevation thereof, the left, right, and back
elevation views being identical thereof.
The broken lines in the drawings depict portions of the
teething tube that form no part of the claimed design. The
teething tube is shown with two symbolic breaks in its
length. The appearance of any portion of the article between
the break lines forms no part of the claimed design.

1 Claim, 2 Drawing Sheets



(56)

References Cited

U.S. PATENT DOCUMENTS

D760,964	S	7/2016	Toolan	
9,463,133	B2 *	10/2016	Rodgers A61H 7/00
D797,947	S *	9/2017	Schill D24/194
D837,465	S *	1/2019	Steinkraus D24/194
2004/0215234	A1	10/2004	McCardell	
2005/0085749	A1 *	4/2005	Baerwalde A61H 15/00 601/15
2014/0243895	A1	8/2014	Kellogg	

OTHER PUBLICATIONS

“Chew Stixx Multi Textured Multi Sensory Chewable Fidget”. Found online Nov. 17, 2016 at sensoryuniversity.com. Page dated Jan. 31, 2010. Retrieved from <https://web.archive.org/web/20100131134640/http://sensoryuniversity.com/product.sc?categoryId=1&productId=405>.

“Knobby Texture Chewy Tube Green”. Found online Nov. 17, 2016 at amazon.com. Page dated Oct. 18, 2008. Retrieved from https://www.amazon.com/Knobby-Texture-Chewy-Tube-Green/dp/B00175ROGU/ref=cm_cr_ar_p_d_product_top?ie=UTF8.

“Teething Products You Can’t Live Without”. Found on line Nov. 2, 2016 at [sheknows.com](http://www.sheknows.com). Page dated May 5, 2014. Retrieved from <http://www.sheknows.com/parenting/articles/1034585/teething-products-for-babies>.

Chewnoodle, <http://site.chewnoodle.com/Home.html>, date accessed: Sep. 21, 2015, 1 page.

* cited by examiner

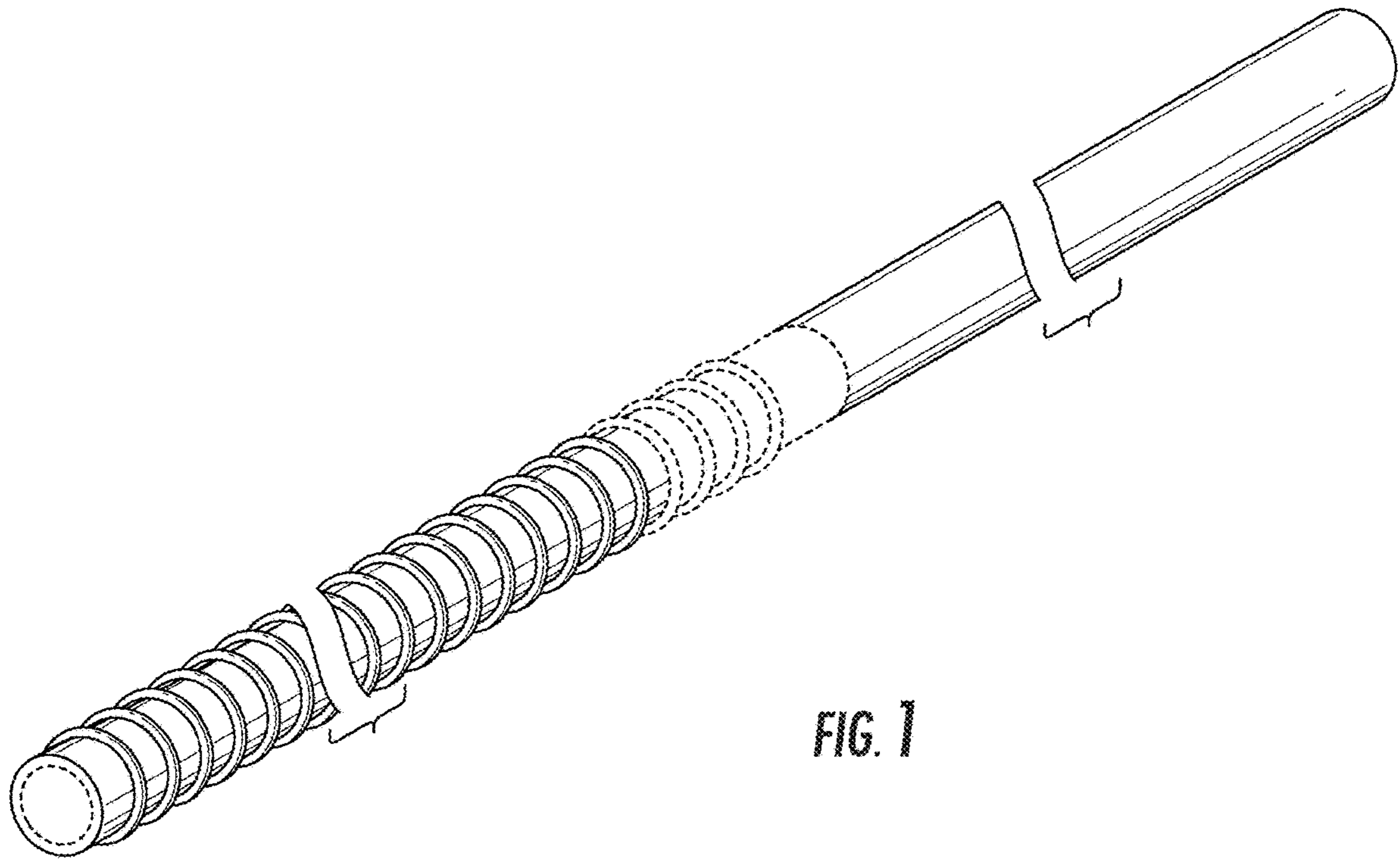


FIG. 1

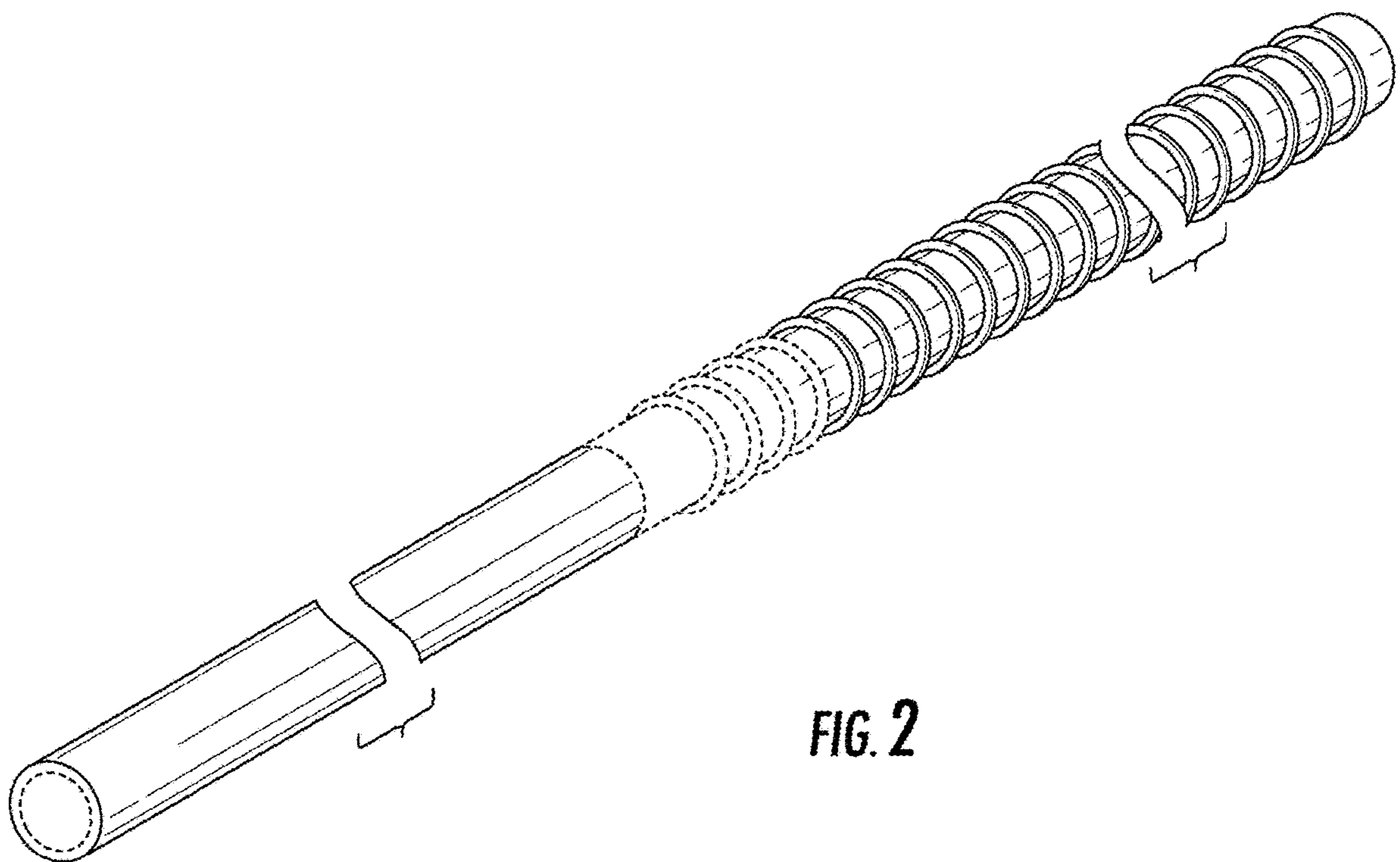


FIG. 2

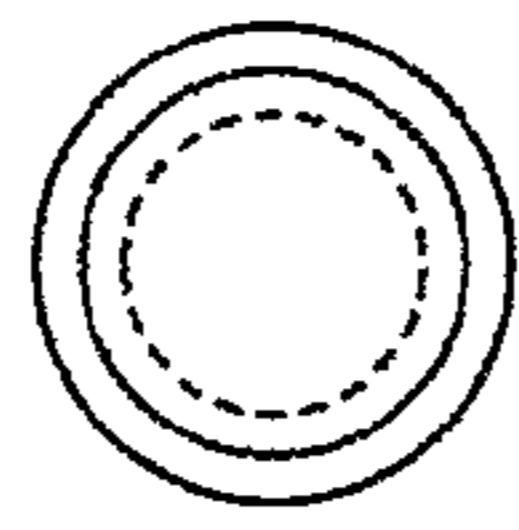


FIG. 3

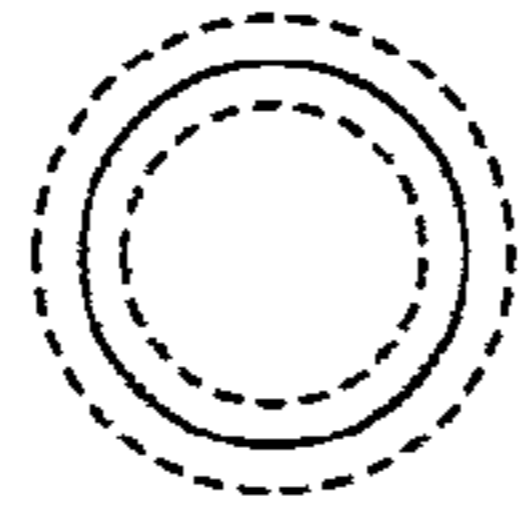


FIG. 4

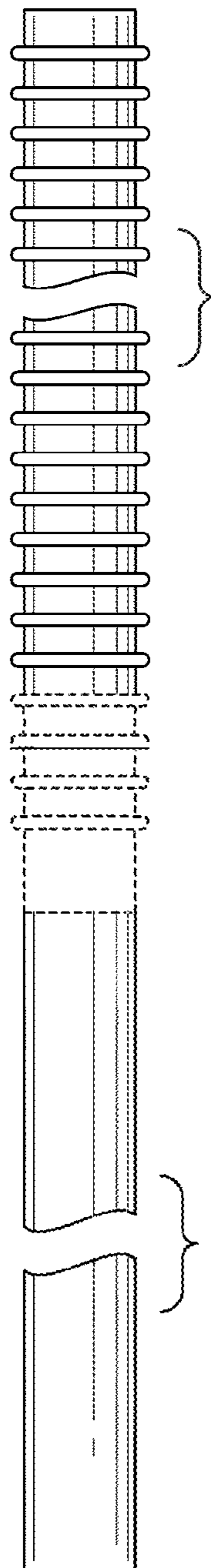


FIG. 5