



US00D877911S

(12) **United States Design Patent**
Tran et al.

(10) **Patent No.:** **US D877,911 S**
(45) **Date of Patent:** **** Mar. 10, 2020**

(54) **OCULAR IMPLANT**

(71) Applicant: **NEW WORLD MEDICAL, INC.**,
Rancho Cucamonga, CA (US)

(72) Inventors: **Joey Tran**, Ontario, CA (US); **Malik Y. Kahook**, Denver, CO (US)

(73) Assignee: **NEW WORLD MEDICAL, INC.**,
Rancho Cucamonga, CA (US)

(**) Term: **15 Years**

(21) Appl. No.: **29/667,488**

(22) Filed: **Oct. 22, 2018**

(51) **LOC (12) Cl.** **24-02**

(52) **U.S. Cl.**
USPC **D24/157**

(58) **Field of Classification Search**
USPC D24/155-157
CPC A61F 2/16; A61F 2/1602; A61F 2/1613;
A61F 2/1648

See application file for complete search history.

(56) **References Cited**

U.S. PATENT DOCUMENTS

3,866,249	A *	2/1975	Flom	A61F 2/1601 623/6.12
D285,345	S *	8/1986	Shepard	D24/157
D356,867	S	3/1995	Krupin		
5,681,275	A	10/1997	Ahmed		
D473,943	S *	4/2003	Rinehart	D24/157
D549,890	S *	8/2007	Alfaro	D21/661
7,357,778	B2	4/2008	Bhalla		
8,702,639	B2	4/2014	Van Der Morren et al.		
9,814,570	B2 *	11/2017	Robert	A61F 2/1613

OTHER PUBLICATIONS

Cantor, Louis B., "Using the Baerveldt Glaucoma Implant the clinical benefits of this single-quadrant device.", *Glaucoma Today*,

Sep./Oct. 2005, retrieved from http://glaucomatoday.com/pdfs/0905_10.pdf.

Molteno 3-S Series Glaucoma Drainage Device Brochure, Molteno Ophthalmic Limited, Sep. 2017, retrieved from <https://www.molteno.com/files/329/file/Molteno3-S-Series-8-page-brochure-pdf>.

Molteno, Anthony C.B., Molteno 3 Surgical Guide A Step by Step Guide to Inserting Molteno3® Glaucoma Drainage Devices for Delayed or Immediate Drainage and either Translimbal or Pars Plana Insertion, 2006, retrieved from <https://www.molteno.com/files/326/file/Molteno-Surgical-Guide-SG-GDD-0817-pdf>.

(Continued)

Primary Examiner — Charles D Hanson

(74) *Attorney, Agent, or Firm* — Morgan, Lewis & Bockius LLP

(57) **CLAIM**

The ornamental design for an ocular implant, as shown and described.

DESCRIPTION

FIG. 1 is a perspective view of an ocular implant showing our new design;

FIG. 2 is a front view thereof;

FIG. 3 is a rear view thereof;

FIG. 4 is a left side view thereof;

FIG. 5 is a right side view thereof;

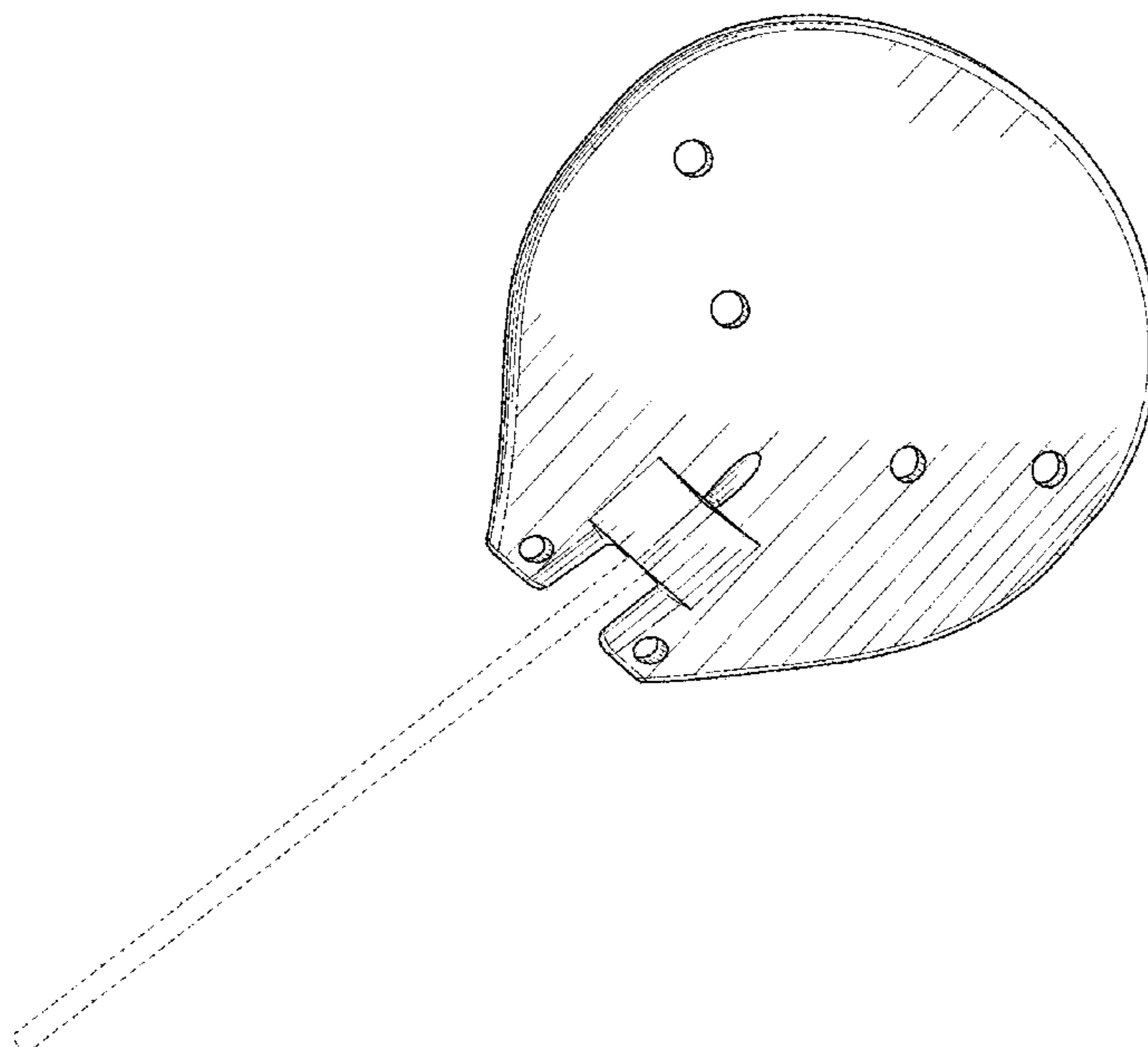
FIG. 6 is a top view thereof;

FIG. 7 is a bottom view thereof; and,

FIG. 8 is a perspective view thereof in an implanted configuration in an eye, the eye being an environmental structure which forms no part of the claimed design.

The broken lines in FIGS. 1-7 illustrate portions of the ocular implant that form no part of the claimed design. The broken lines in FIG. 8 illustrate portions of the ocular implant and the eye that form no part of the claimed design.

1 Claim, 8 Drawing Sheets



(56)

References Cited

OTHER PUBLICATIONS

Molteno Product Information Sheet, “Molteno® Implants Glaucoma Drainage Devices”, Dec. 2017, retrieved from <https://www.molteno.com/files/338/file/Product-Information-Sheet-1217-GPI-pdf>.

New World Medical Product Brochure, “The Ahmed Glaucoma Valve”, Rev. E, Feb. 2018, retrieved from https://www.newworldmedical.com/Areas/Customization/Modules/NWMCorp/Content/media/pdf/NWM_Product_Brochure_revE_50-0038.pdf.

* cited by examiner

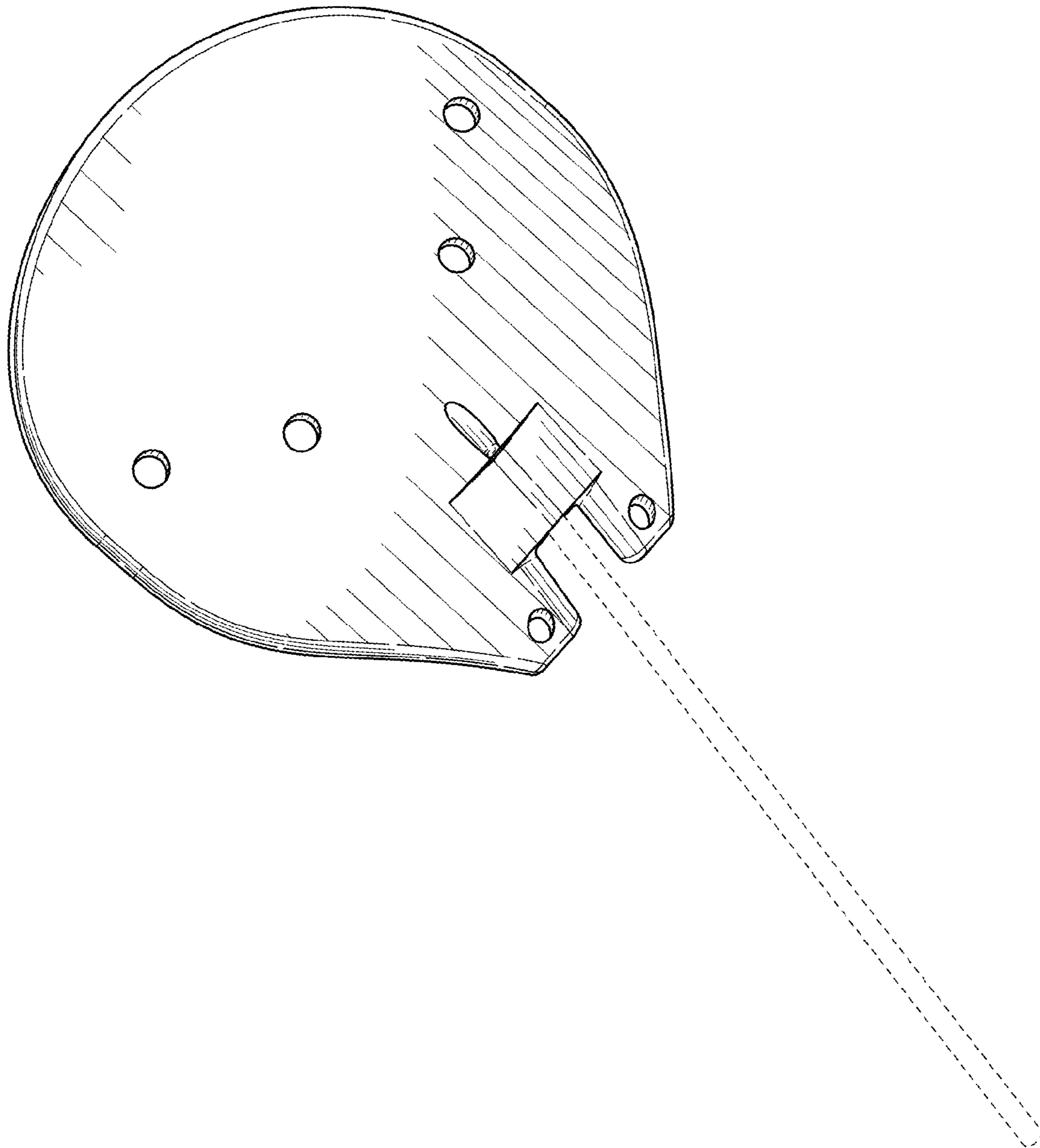


FIG. 1

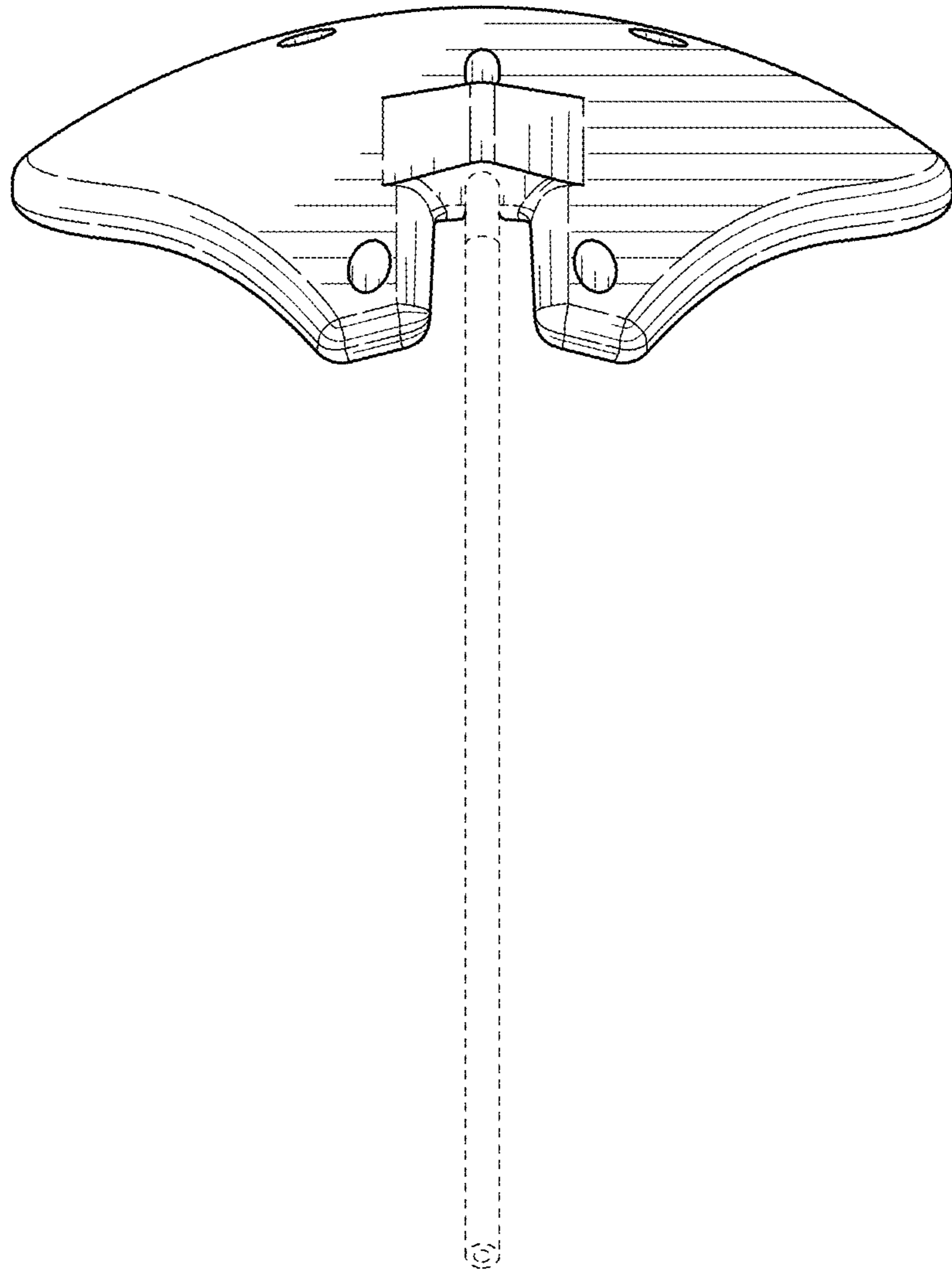


FIG. 2

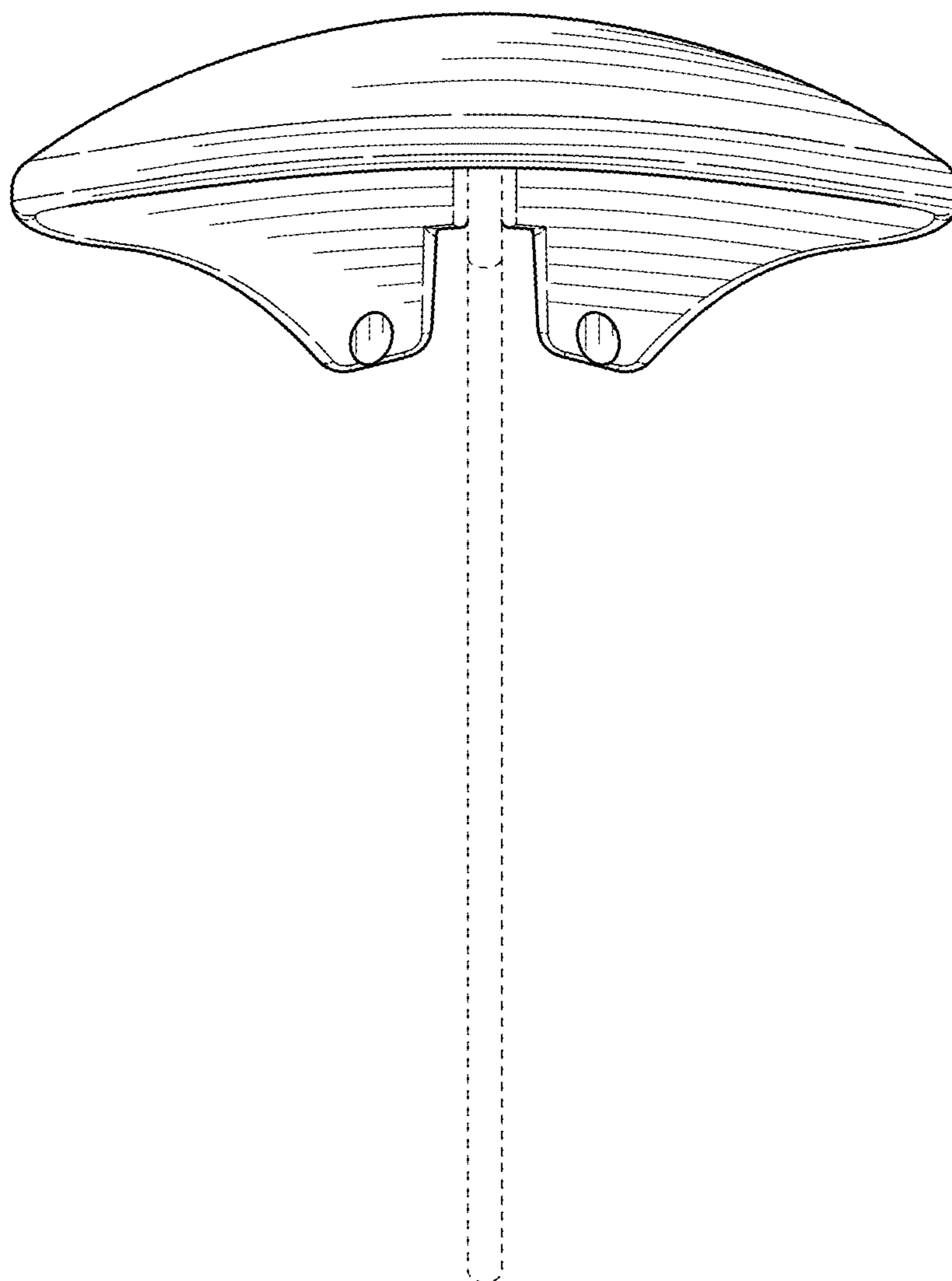


FIG. 3

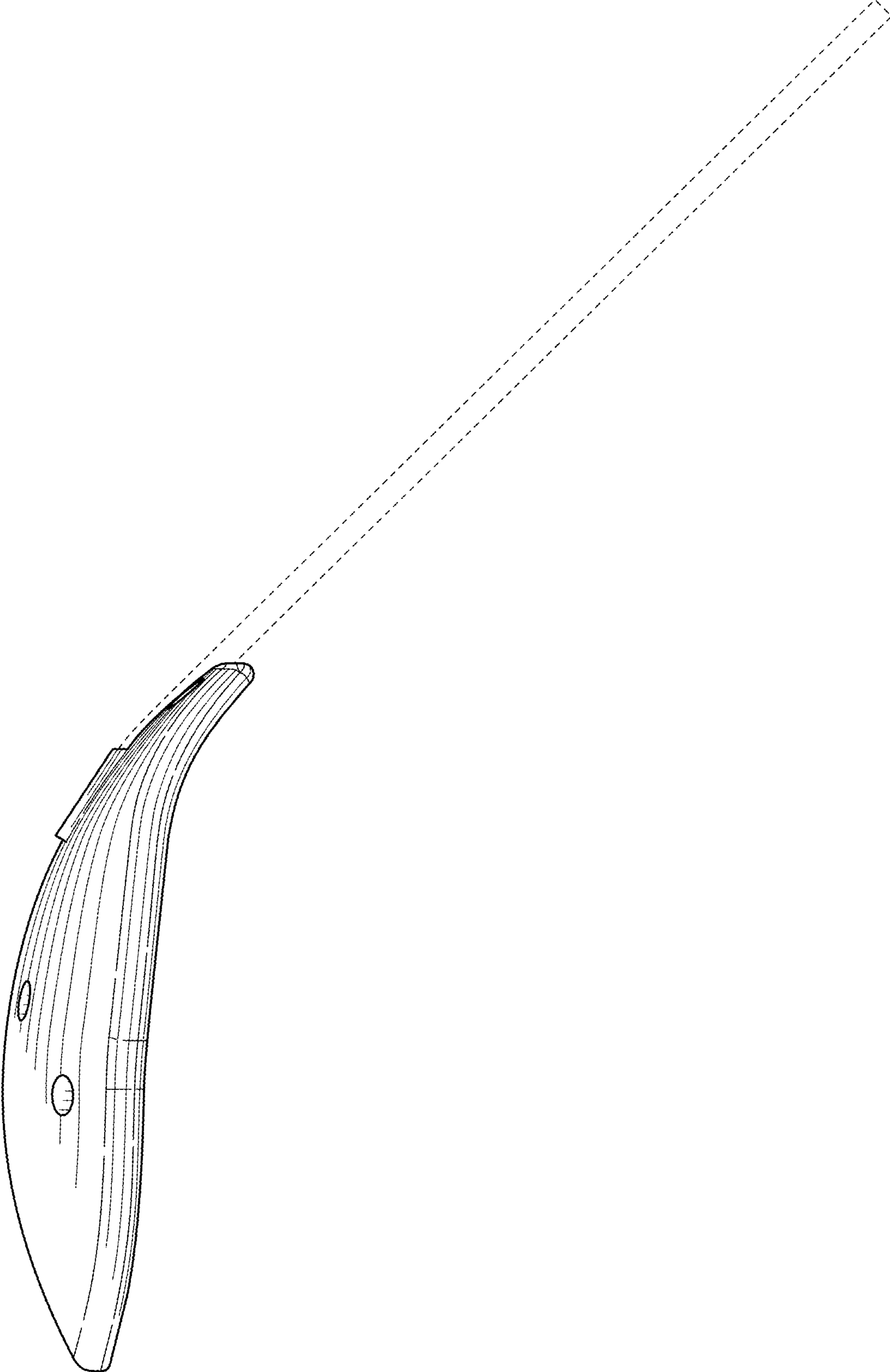


FIG. 4

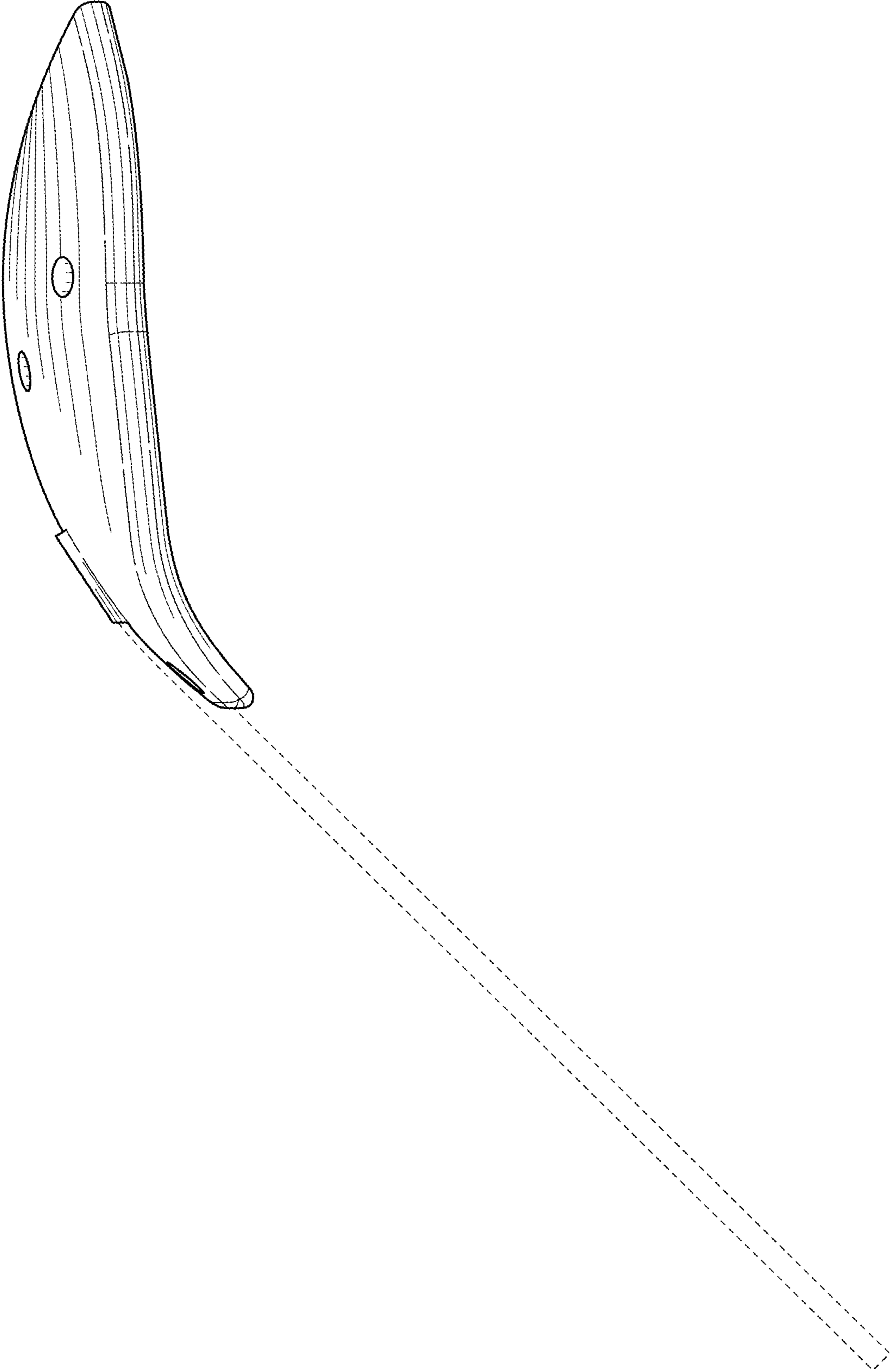


FIG. 5

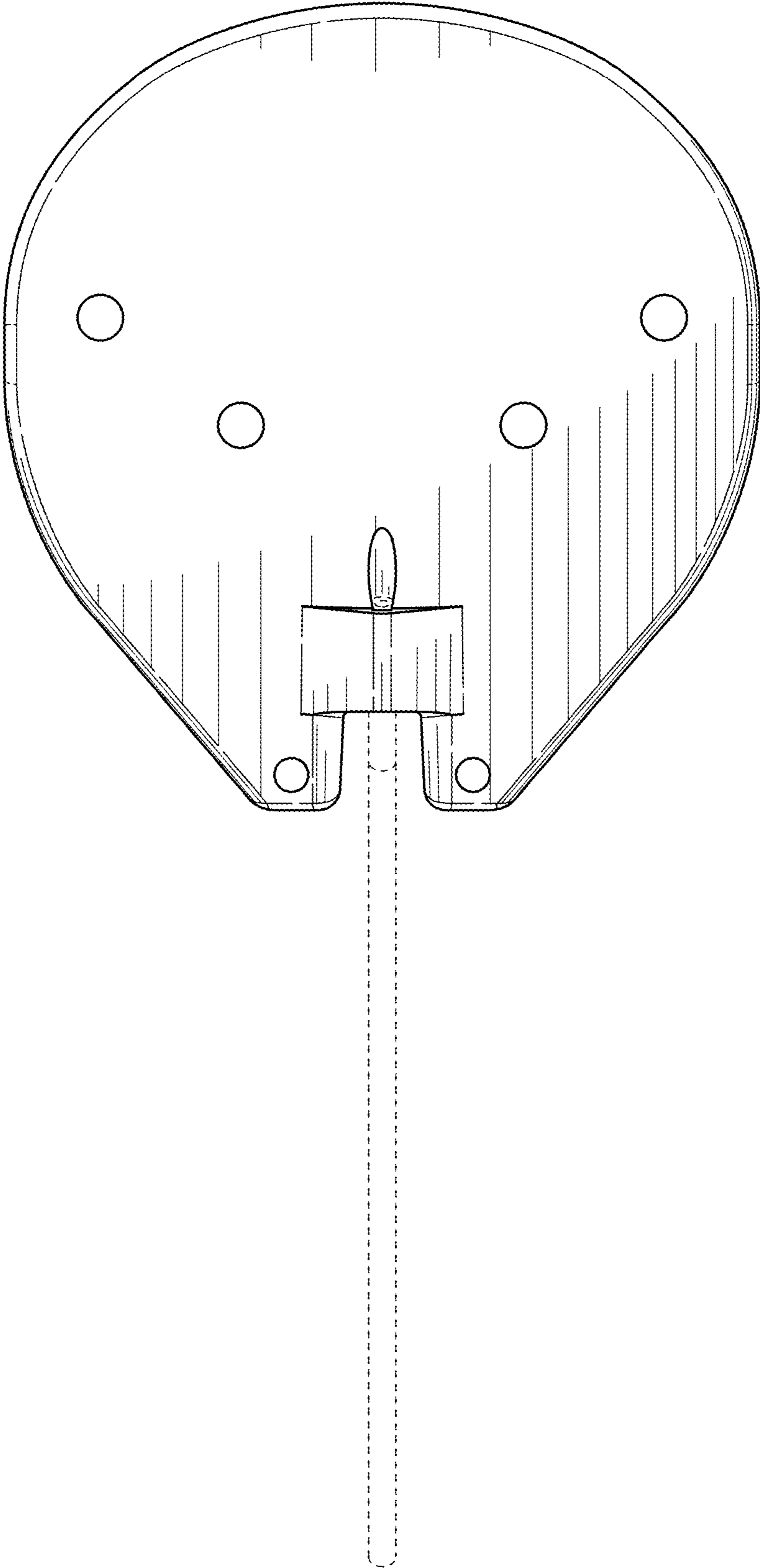


FIG. 6

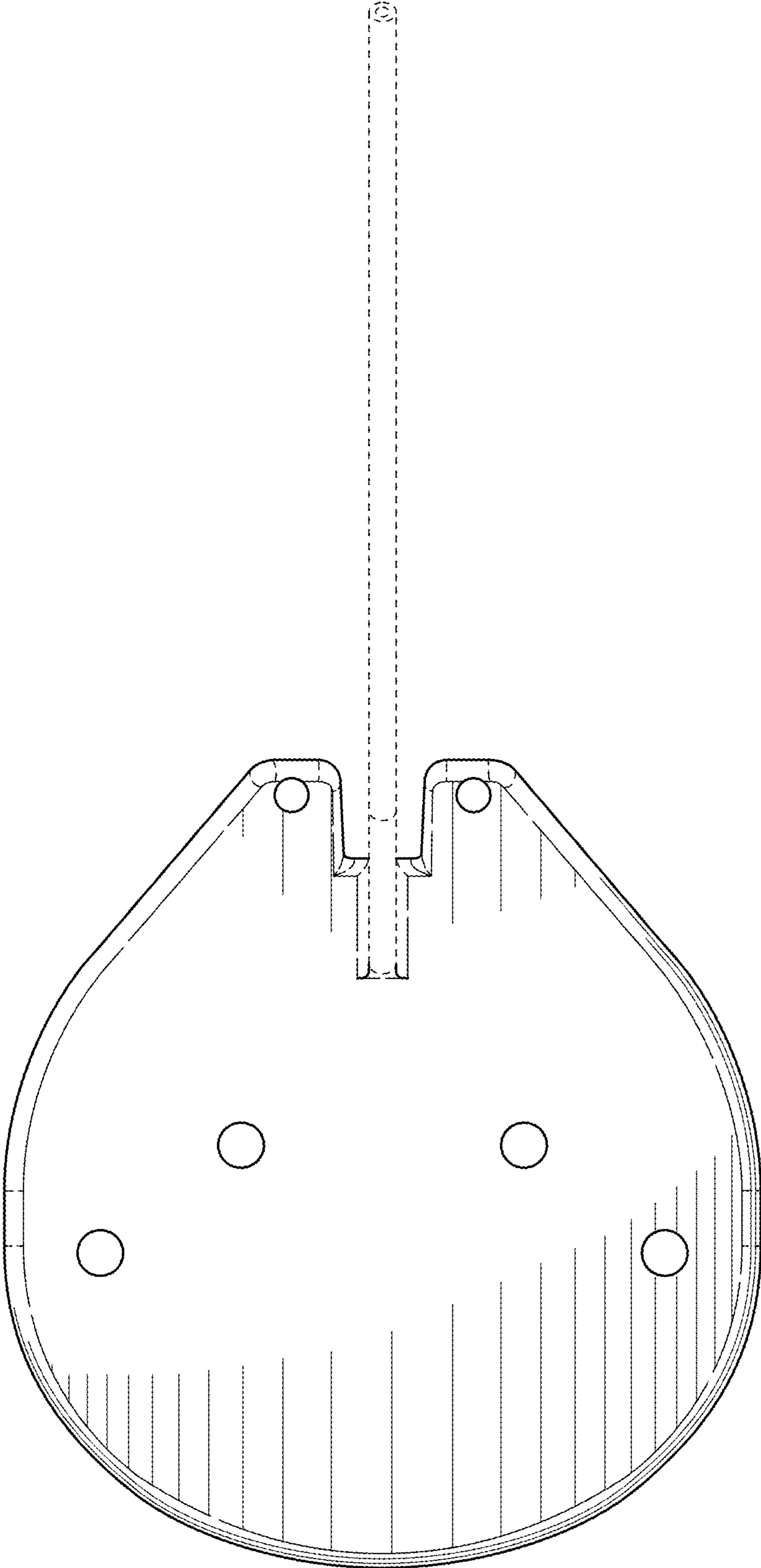


FIG. 7

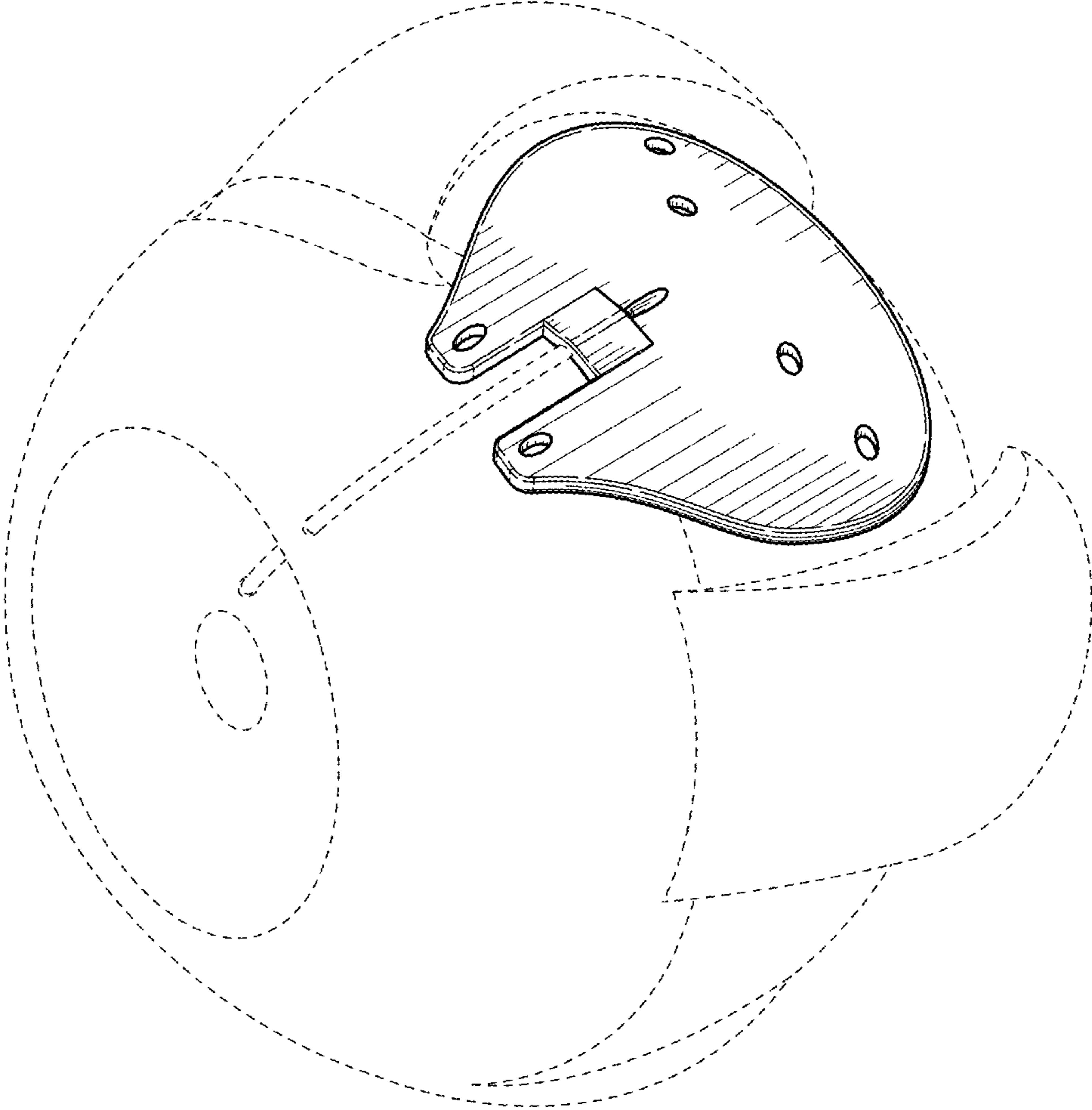


FIG. 8