



US00D877910S

(12) **United States Design Patent** (10) **Patent No.:** **US D877,910 S**
Moreeuw (45) **Date of Patent:** **** Mar. 10, 2020**

(54) **PROSTHESIS**
(71) Applicant: **WANDERCRAFT**, Orsay (FR)
(72) Inventor: **David Moreeuw**, Ploemeur (FR)
(73) Assignee: **Wandercraft**, Orsay (FR)
(**) Term: **15 Years**

D800,229 S * 10/2017 Baker A63H 3/48
D21/587
D824,978 S * 8/2018 Amino D15/199
D835,214 S * 12/2018 Xiong D21/578
D838,759 S * 1/2019 Kowalski D15/199
D841,708 S * 2/2019 Koshiishi D15/199
2017/0143517 A1* 5/2017 Sankai A61B 5/0488

* cited by examiner

(21) Appl. No.: **35/505,149**
(22) Filed: **Apr. 27, 2018**

Primary Examiner — Eliza Z Bennett-Hattan
(74) *Attorney, Agent, or Firm* — Mandelbaum Silfin
Economou LLP

(80) **Hague Agreement Data**

Int. Filing Date: **Apr. 27, 2018**
Int. Reg. No.: **DM/101534**
Int. Reg. Date: **Apr. 27, 2018**
Int. Reg. Pub. Date: **Jun. 22, 2018**

(57) **CLAIM**

The ornamental design for a prosthesis, as shown and described.

(51) **LOC (12) Cl.** **24-03**
(52) **U.S. Cl.**

DESCRIPTION

The patent or application file contains at least one drawing executed in color. Copies of this patent or patent application publication with color drawing(s) will be provided by the Office upon request and payment of the necessary fee.

USPC **D24/155**

(58) **Field of Classification Search**
USPC D24/155; D15/199; D21/578, 585, 621,
D21/622
CPC A61F 2/60; A61F 2002/607; A61F 2/6607
See application file for complete search history.

- 1. Prosthesis
- 1.1 : Front
- 1.2 : Three-quarter
- 1.3 : Side
- 1.4 : Back
- 1.5 : Top
- 1.6 : Top in perspective
- 1.7 : Bottom

(56) **References Cited**

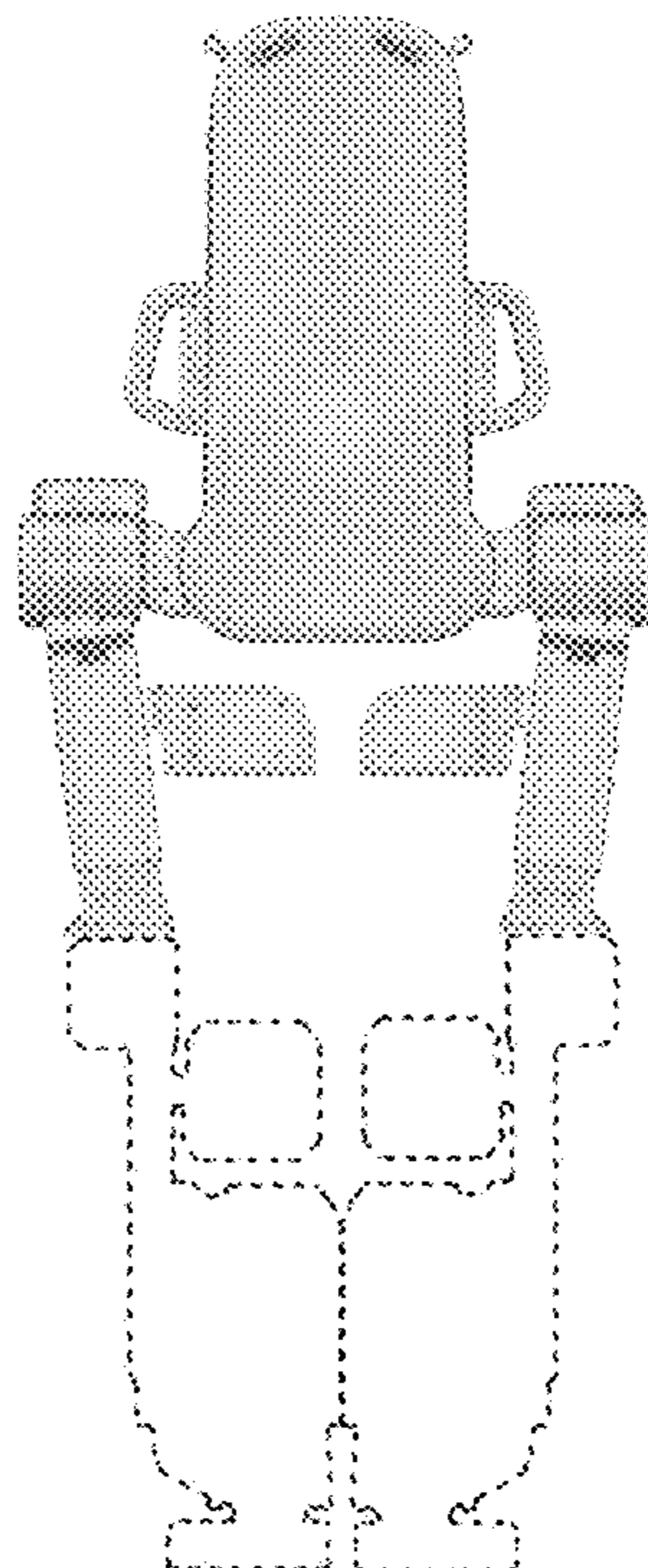
The portions of the “prosthesis” shown by coloring form no part of the claimed design.

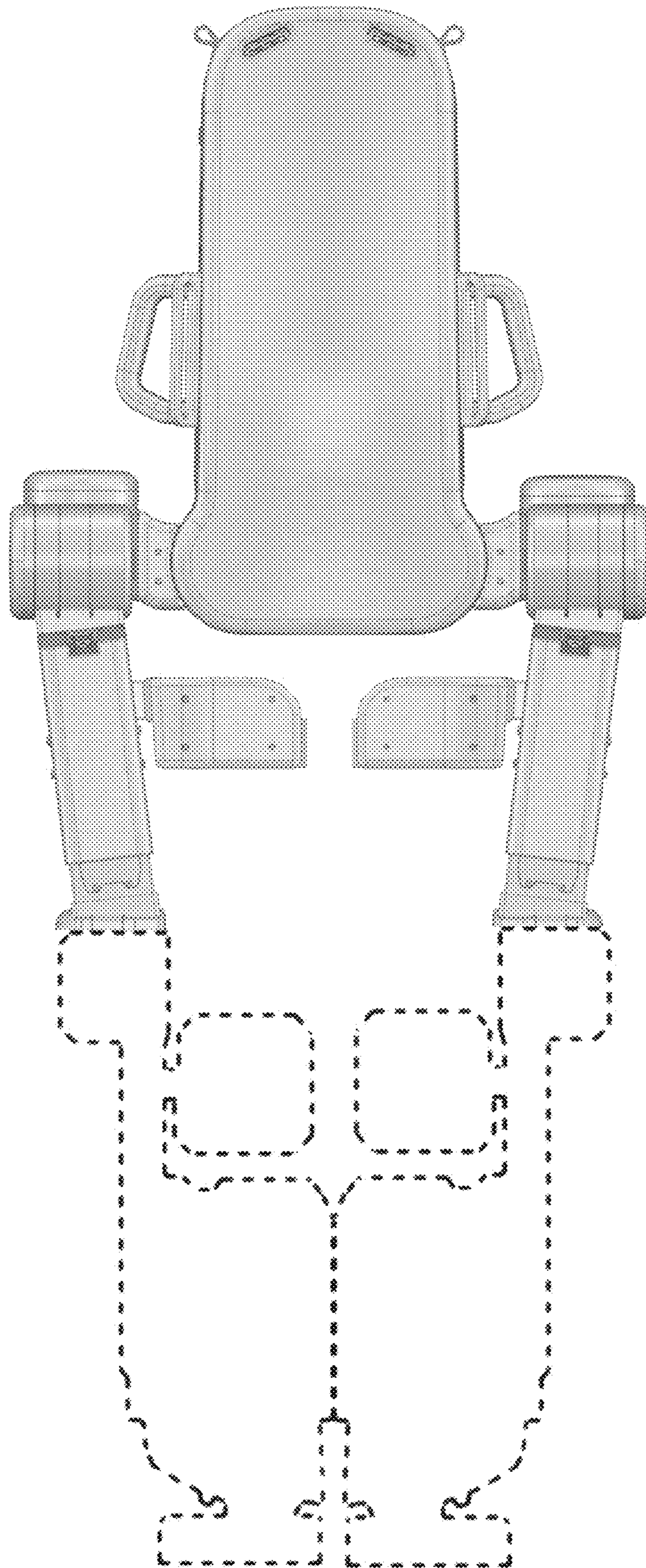
U.S. PATENT DOCUMENTS

The broken lines in the drawing depict environmental subject matter only and form no part of the claimed design.

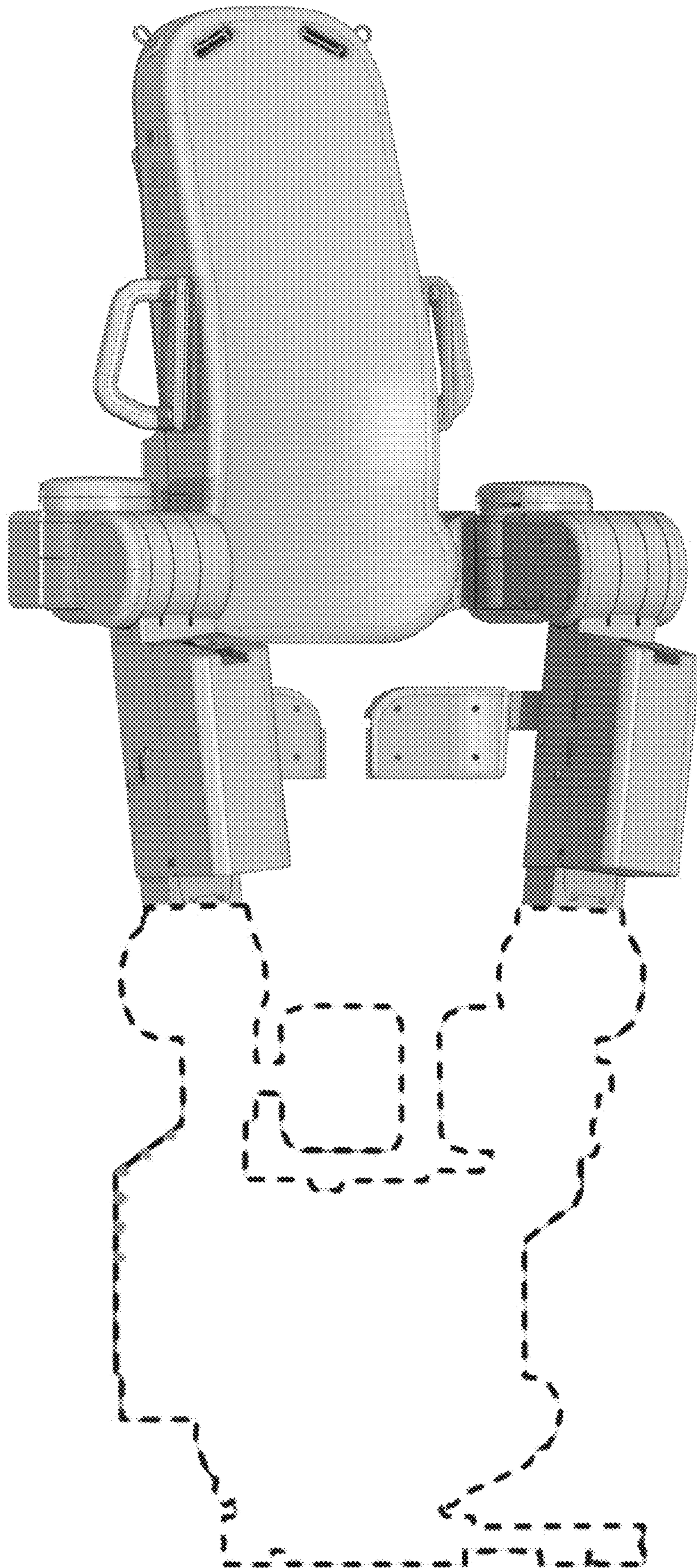
D749,227 S * 2/2016 Takama D15/199
D794,692 S * 8/2017 Haranaka D15/199
D795,320 S * 8/2017 Liu D15/199
D795,321 S * 8/2017 Liu D15/199

1 Claim, 7 Drawing Sheets
(7 of 7 Drawing Sheet(s) Filed in Color)

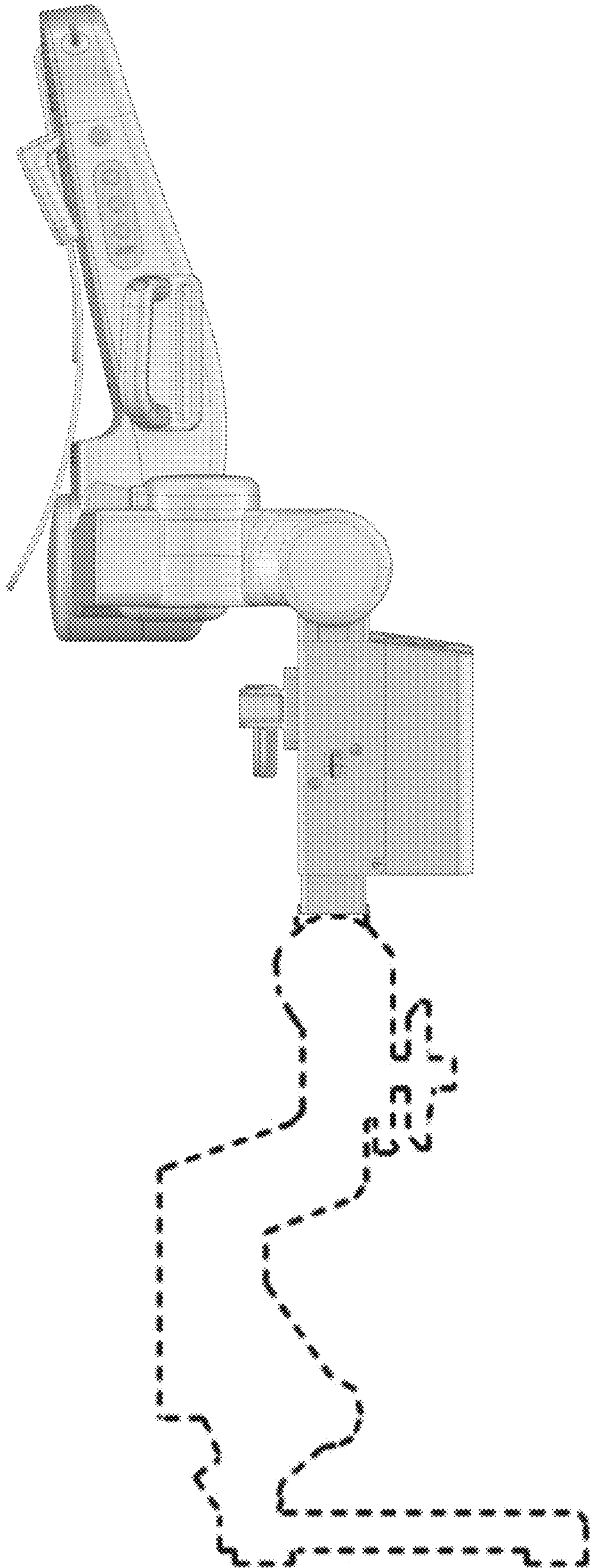




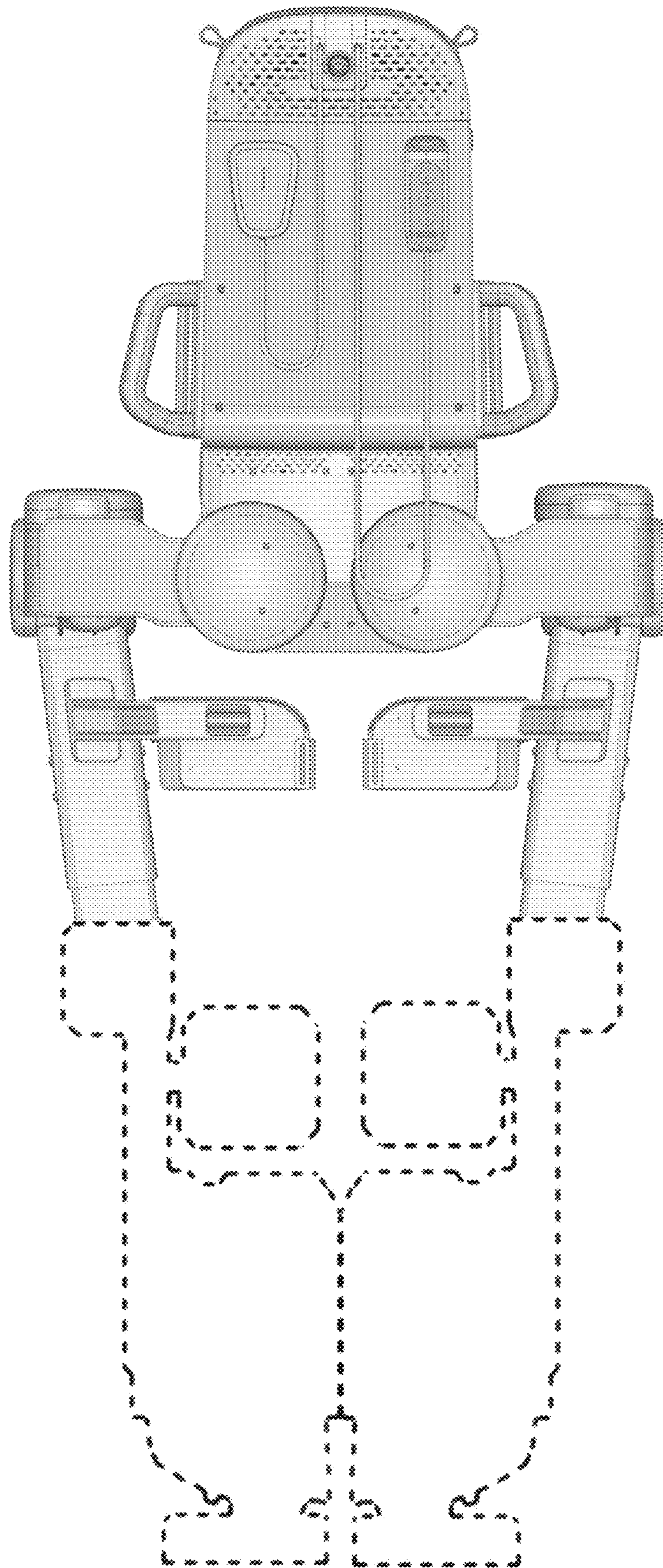
1.1

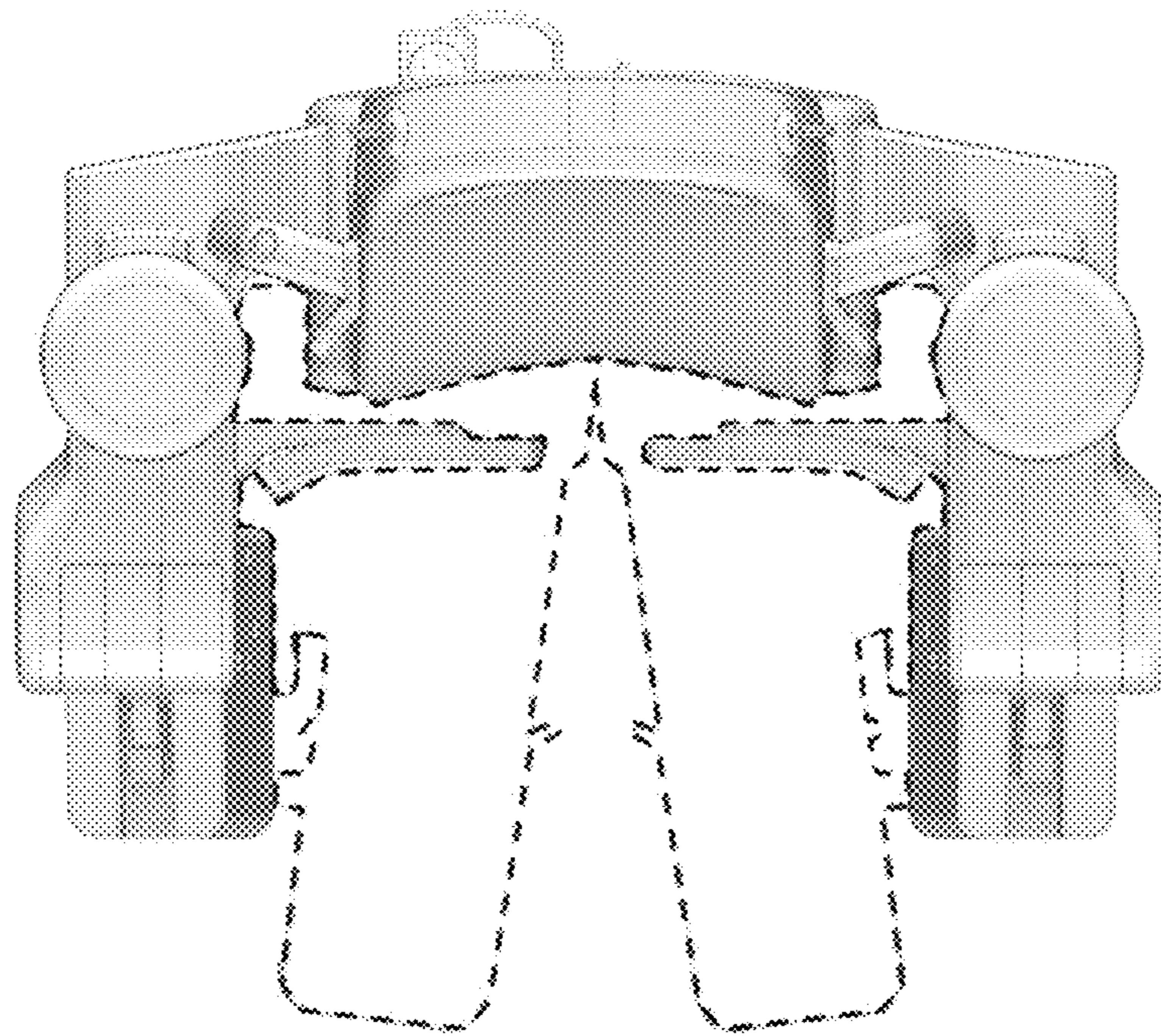


1.2

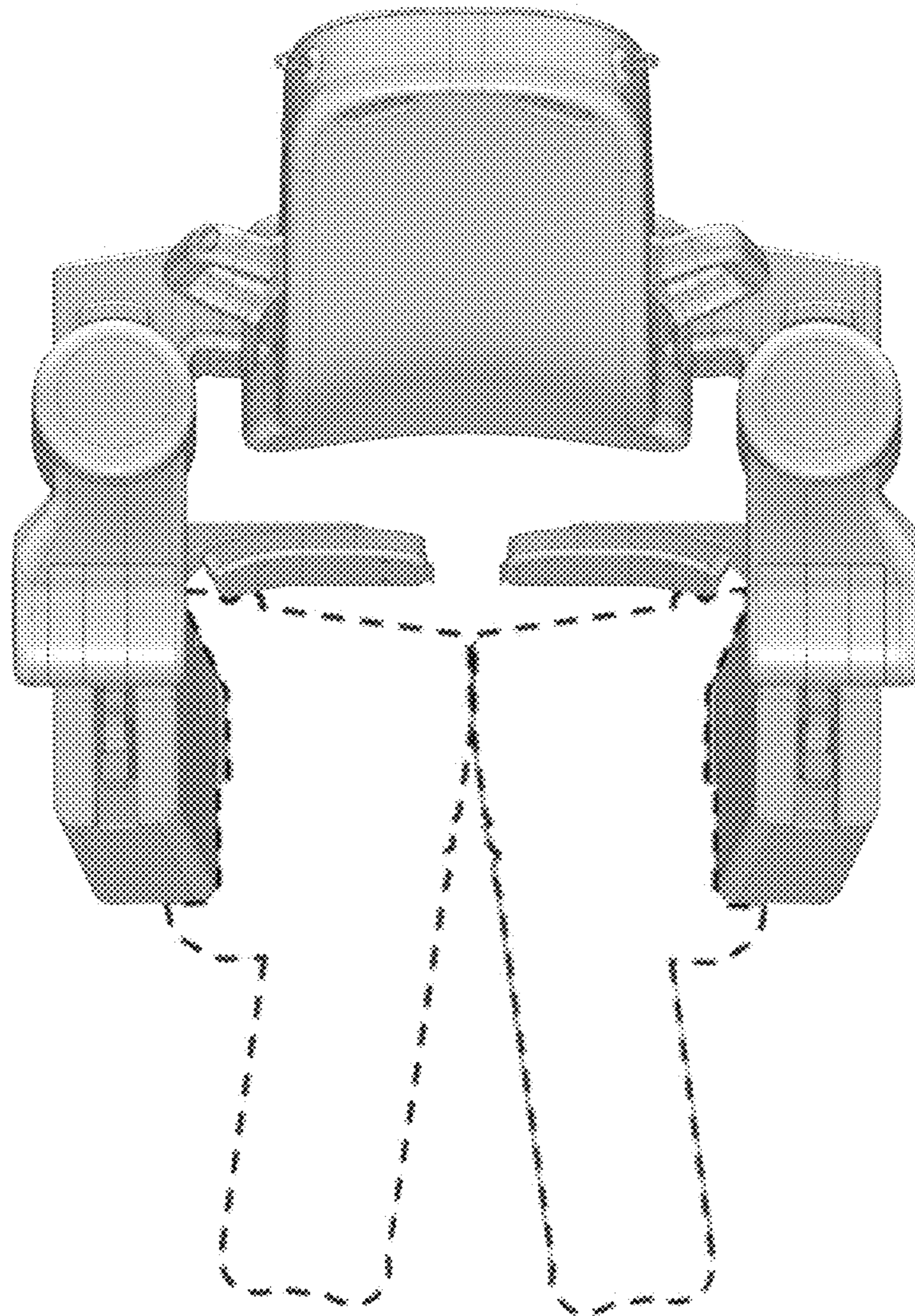


1.3

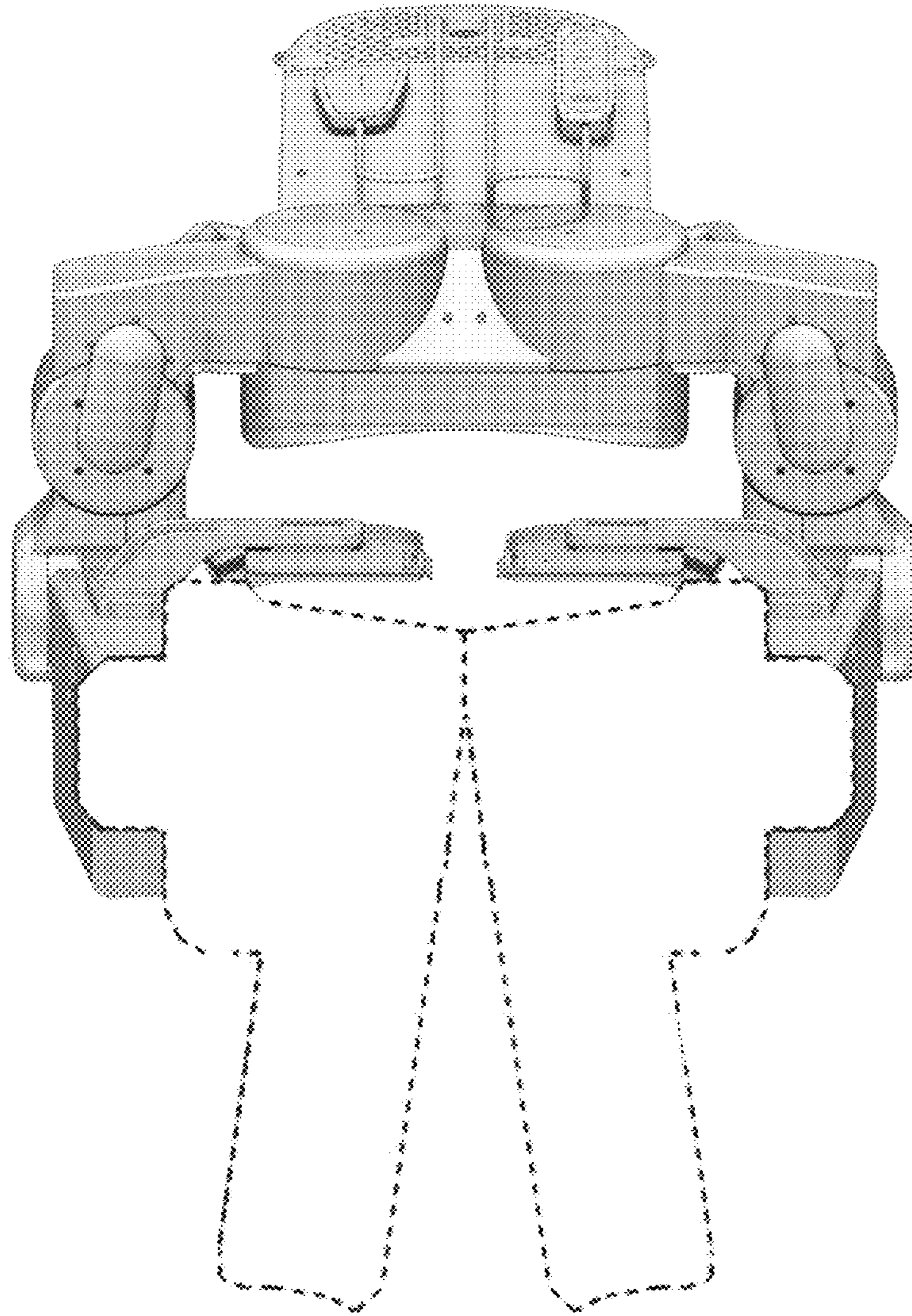




1.5



1.6



1.7