



US00D877905S

(12) **United States Design Patent**
Linder et al.

(10) **Patent No.:** **US D877,905 S**
(45) **Date of Patent:** **** Mar. 10, 2020**

(54) **CERVICAL BONE PLATE DEVICE**

(71) Applicant: **Curiteva, LLC**, Tanner, AL (US)

(72) Inventors: **Eric Linder**, Columbus, OH (US);
Ryan Heskett, Wellington, FL (US)

(73) Assignee: **Curiteva, Inc.**, Tanner, AL (US)

(**) Term: **15 Years**

(21) Appl. No.: **29/675,101**

(22) Filed: **Dec. 28, 2018**

(51) **LOC (12) Cl.** **24-03**

(52) **U.S. Cl.**
USPC **D24/155**

(58) **Field of Classification Search**

USPC D24/155

CPC A61B 17/8061; A61B 17/7059; A61B
17/8052; A61B 17/8605; A61B 17/8085;
A61B 17/809; A61B 17/8014; A61B
17/8033; A61B 17/8004; A61B 17/888;
A61B 17/842; A61B 17/8023; A61B
17/8009; A61B 17/86; A61B 17/1739;
A61B 17/8066; A61B 17/1671; A61B

(Continued)

(56) **References Cited**

U.S. PATENT DOCUMENTS

D603,503 S * 11/2009 Kriska D24/155
D603,504 S * 11/2009 Kriska D24/155

(Continued)

Primary Examiner — Charles D Hanson

(74) *Attorney, Agent, or Firm* — David L. King

(57) **CLAIM**

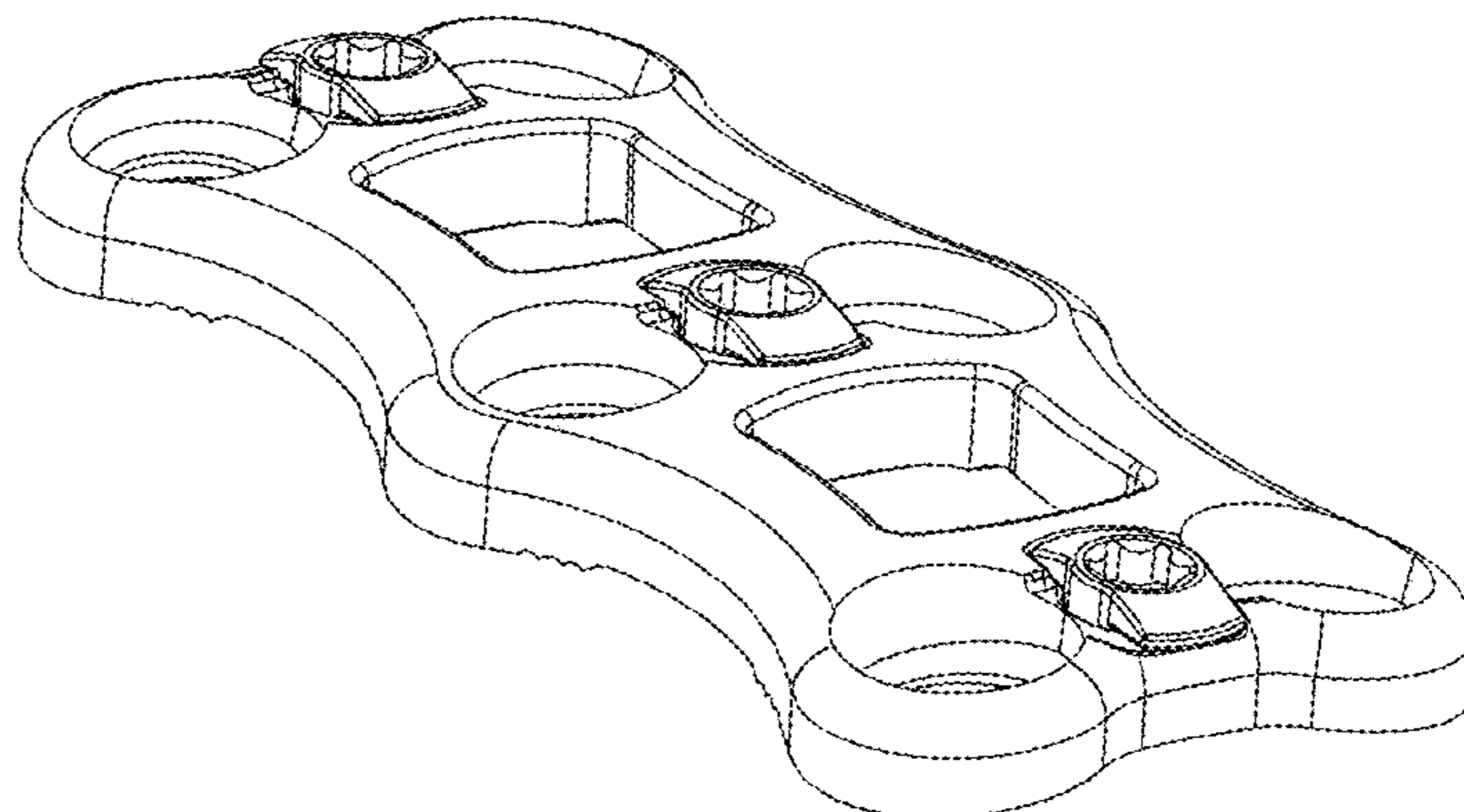
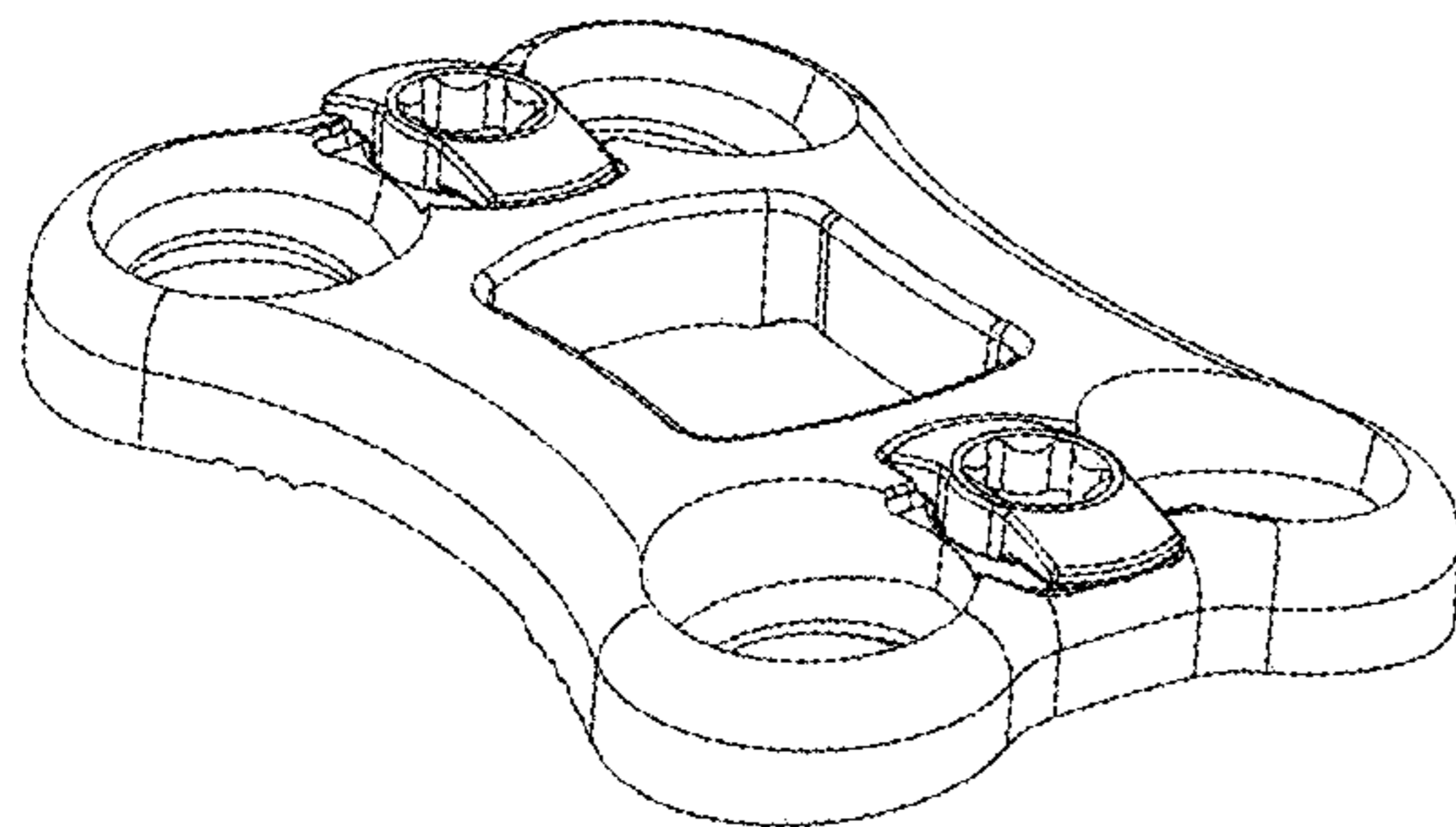
The ornamental design for a “cervical bone plate device”, as shown and described.

DESCRIPTION

FIG. 1 is a top perspective view of a cervical bone plate device showing our new, original and ornamental design;

FIG. 2 is a top view thereof;
FIG. 3 is a bottom view thereof;
FIG. 4 is a right side view thereof;
FIG. 5 is a left side view thereof;
FIG. 6 is a front side view thereof; and
FIG. 7 is a rear side view thereof.
FIG. 8 is a top perspective view of a second embodiment of a cervical bone plate device;
FIG. 9 is a top view thereof;
FIG. 10 is a bottom view thereof;
FIG. 11 is a right side view thereof;
FIG. 12 is a left side view thereof;
FIG. 13 is a front side view thereof; and
FIG. 14 is a rear side view thereof.
FIG. 15 is a top perspective view of a third embodiment of a cervical bone plate device;
FIG. 16 is a top view thereof;
FIG. 17 is a bottom view thereof;
FIG. 18 is a right side view thereof;
FIG. 19 is a left side view thereof;
FIG. 20 is a front side view thereof; and
FIG. 21 is a rear side view thereof.
FIG. 22 is a top perspective view of a fourth embodiment of a cervical bone plate device;
FIG. 23 is a top view thereof;
FIG. 24 is a bottom view thereof;
FIG. 25 is a right side view thereof;
FIG. 26 is a left side view thereof;
FIG. 27 is a front side view thereof; and
FIG. 28 is a rear side view thereof.
FIG. 29 is a top perspective view of a fifth embodiment of a cervical bone plate device;
FIG. 30 is a top view thereof;
FIG. 31 is a bottom view thereof;
FIG. 32 is a right side view thereof;
FIG. 33 is a left side view thereof;
FIG. 34 is a front side view thereof; and
FIG. 35 is a rear side view thereof.

1 Claim, 25 Drawing Sheets



(58) **Field of Classification Search**

CPC 17/1757; A61B 17/8071; A61B 17/176;
A61B 2017/1782; A61B 2017/1775

See application file for complete search history.

(56) **References Cited**

U.S. PATENT DOCUMENTS

D603,505 S *	11/2009	Kriska	D24/155
D603,506 S *	11/2009	Kriska	D24/155
D603,507 S *	11/2009	Kriska	D24/155
D603,508 S *	11/2009	Kriska	D24/155
D603,509 S *	11/2009	Kriska	D24/155
D603,510 S *	11/2009	Kriska	D24/155
D603,511 S *	11/2009	Kriska	D24/155
D603,961 S *	11/2009	Kriska	D24/155
D603,962 S *	11/2009	Kriska	D24/155
D603,963 S *	11/2009	Kriska	D24/155
D603,964 S *	11/2009	Kriska	D24/155
D615,652 S *	5/2010	Weiman	D24/155
D623,751 S *	9/2010	Weiman	D24/155
D643,927 S *	8/2011	Prasad	D24/155
D814,635 S *	4/2018	Asfora	D24/155
D857,894 S *	8/2019	Donahoe	A61B 17/7059 D24/155

* cited by examiner

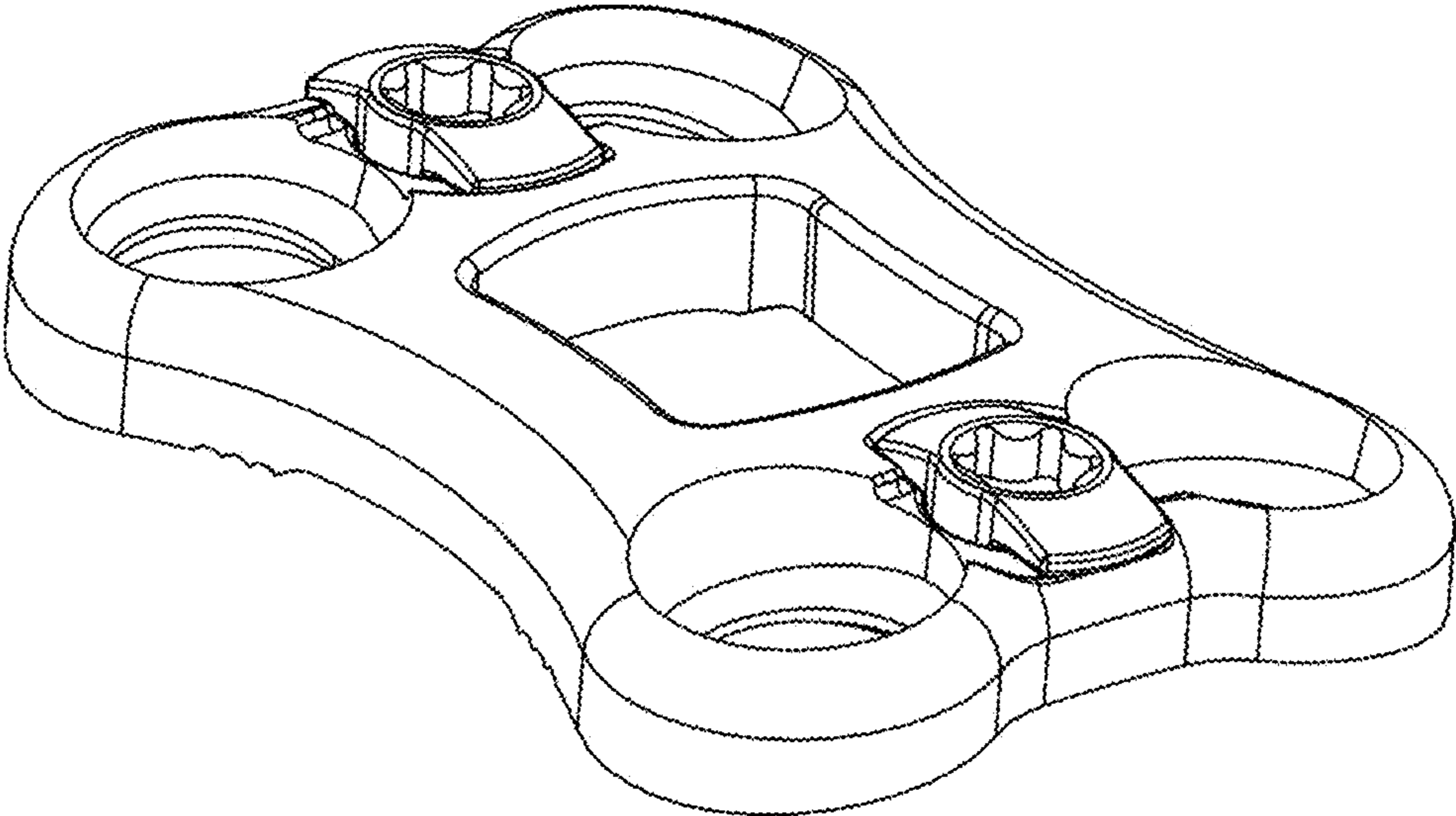


FIG. 1

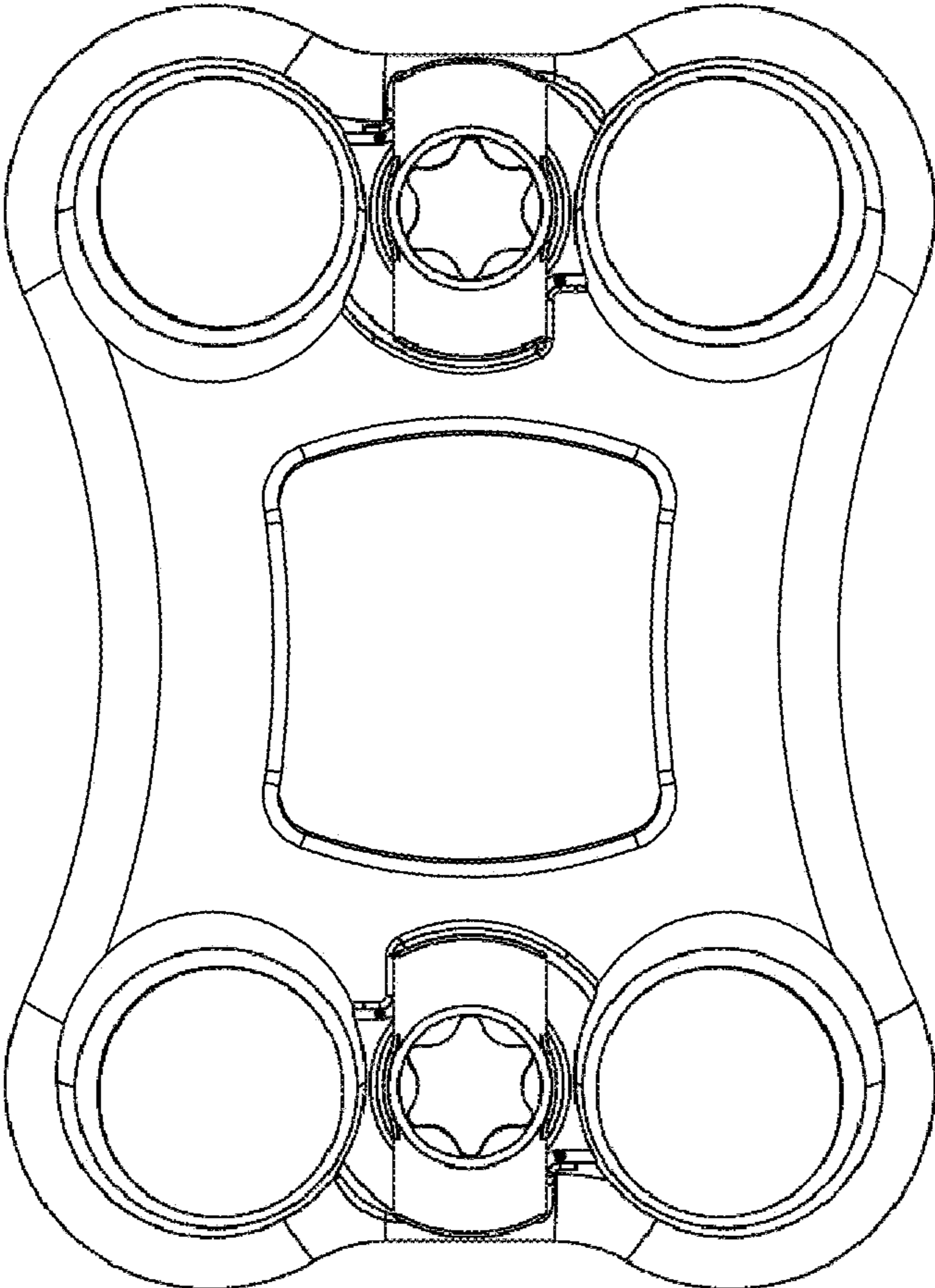


FIG. 2

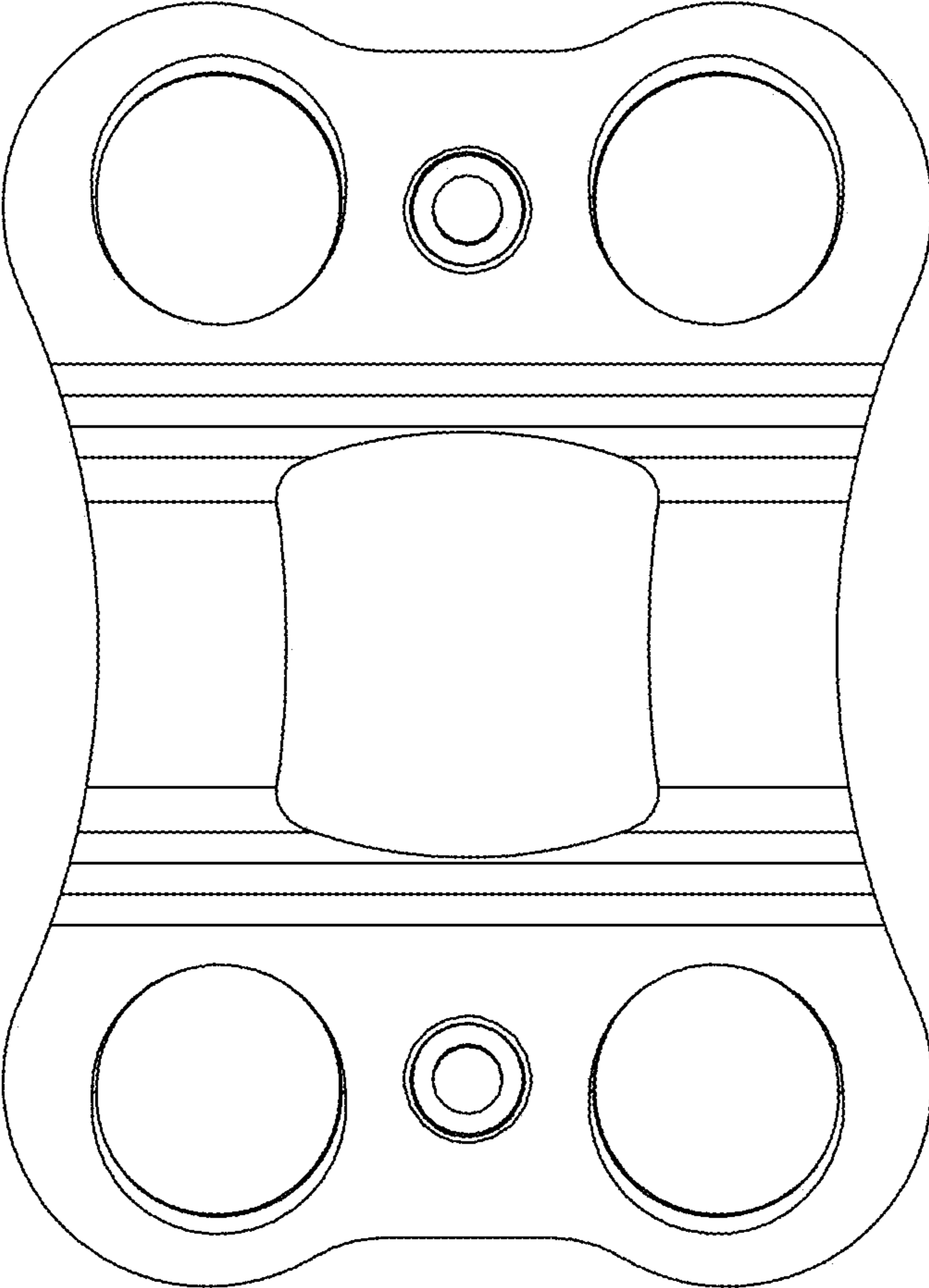


FIG. 3

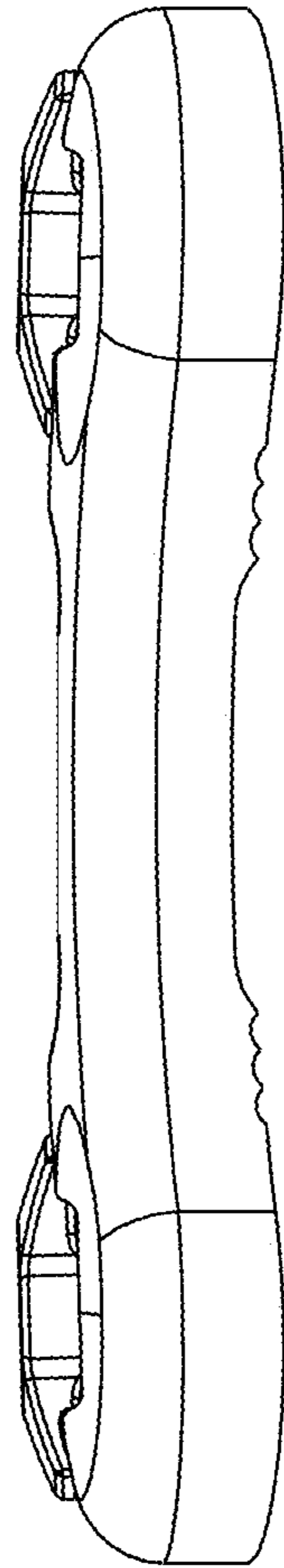


FIG. 4

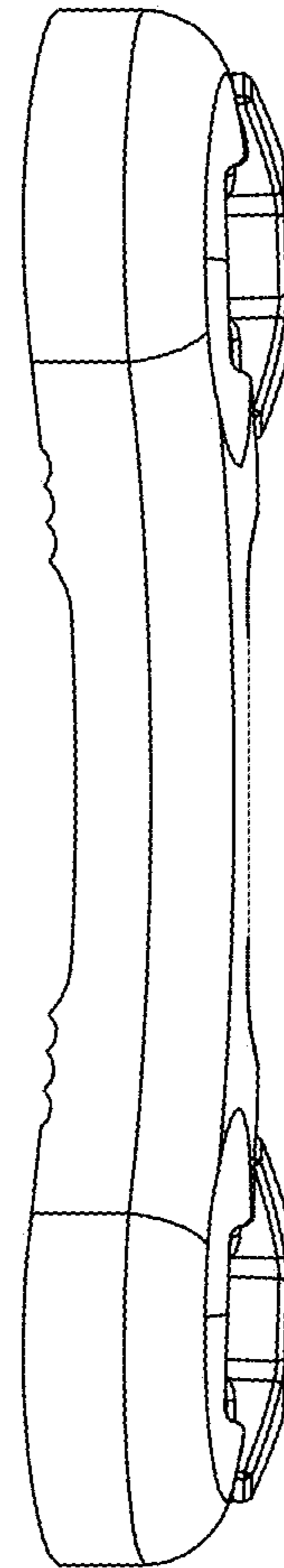


FIG. 5

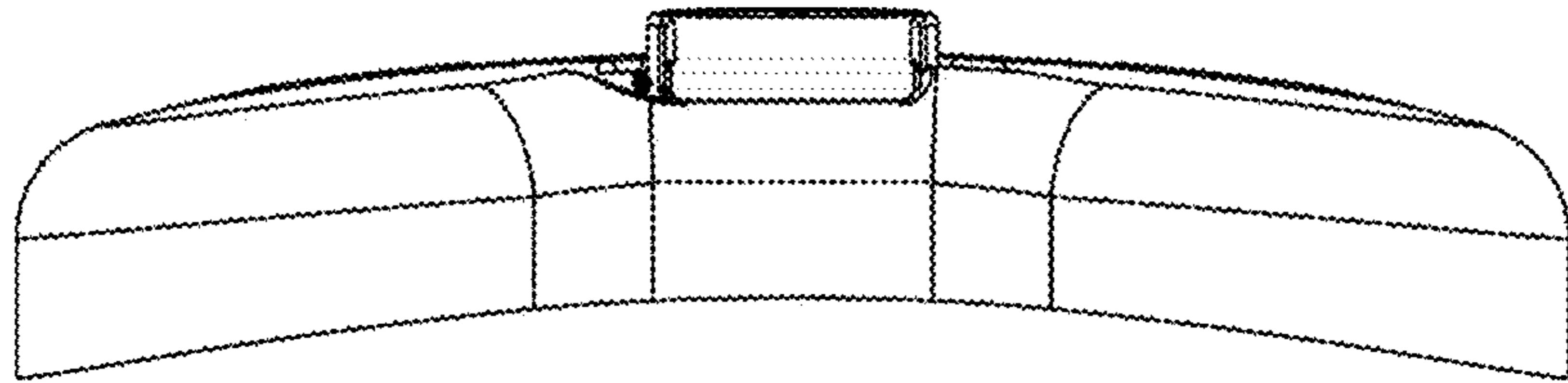


FIG. 6

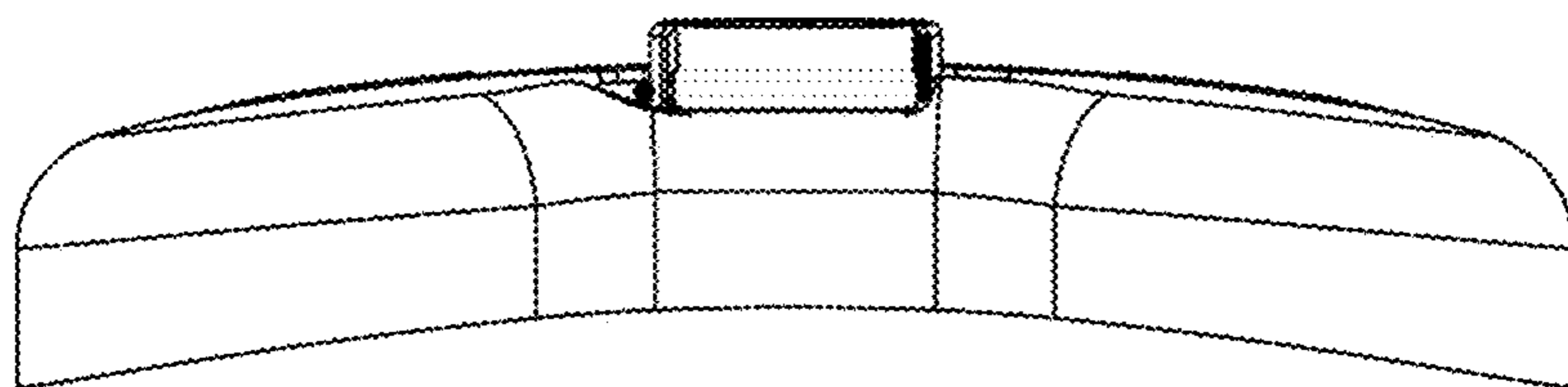


FIG. 7

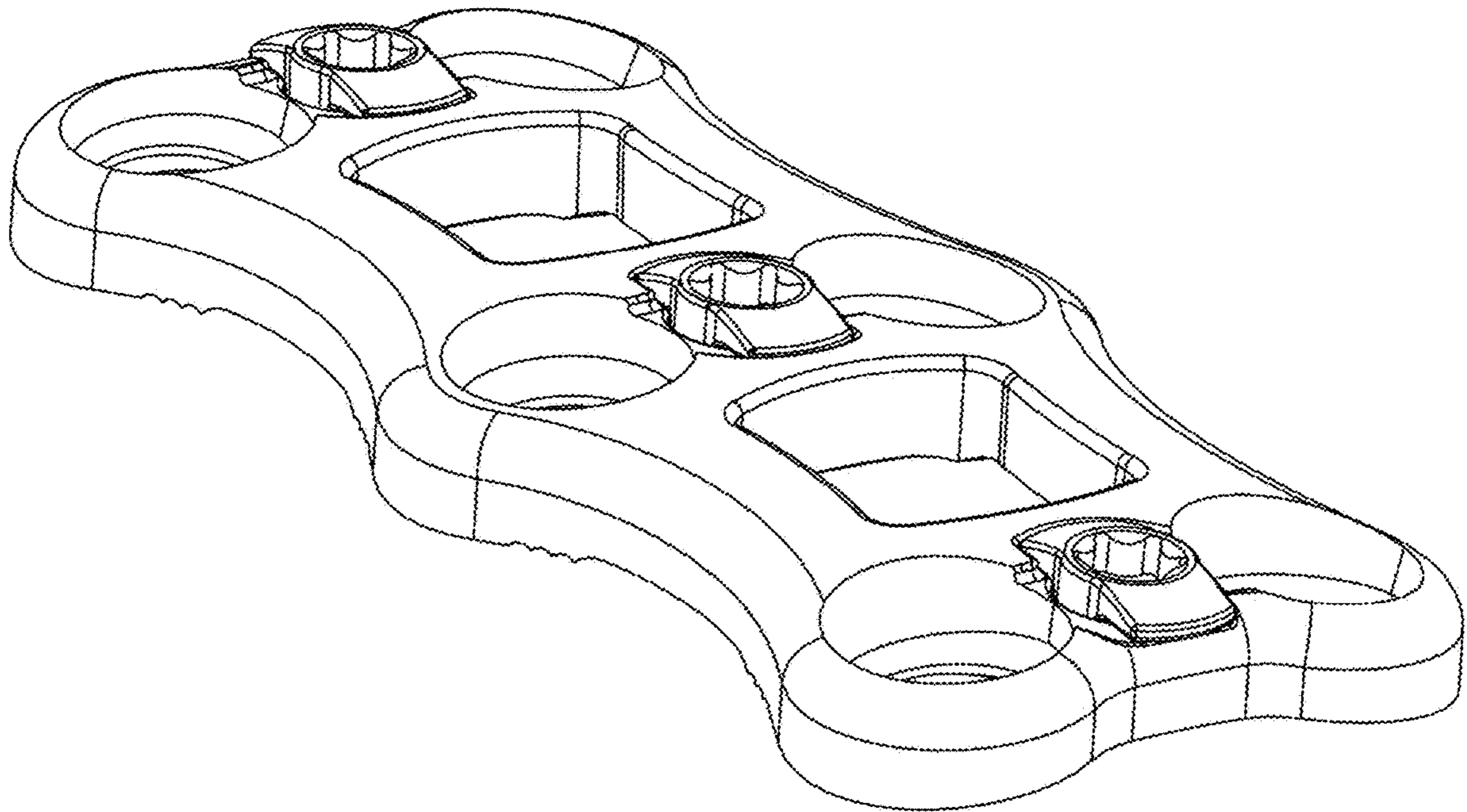


FIG. 8

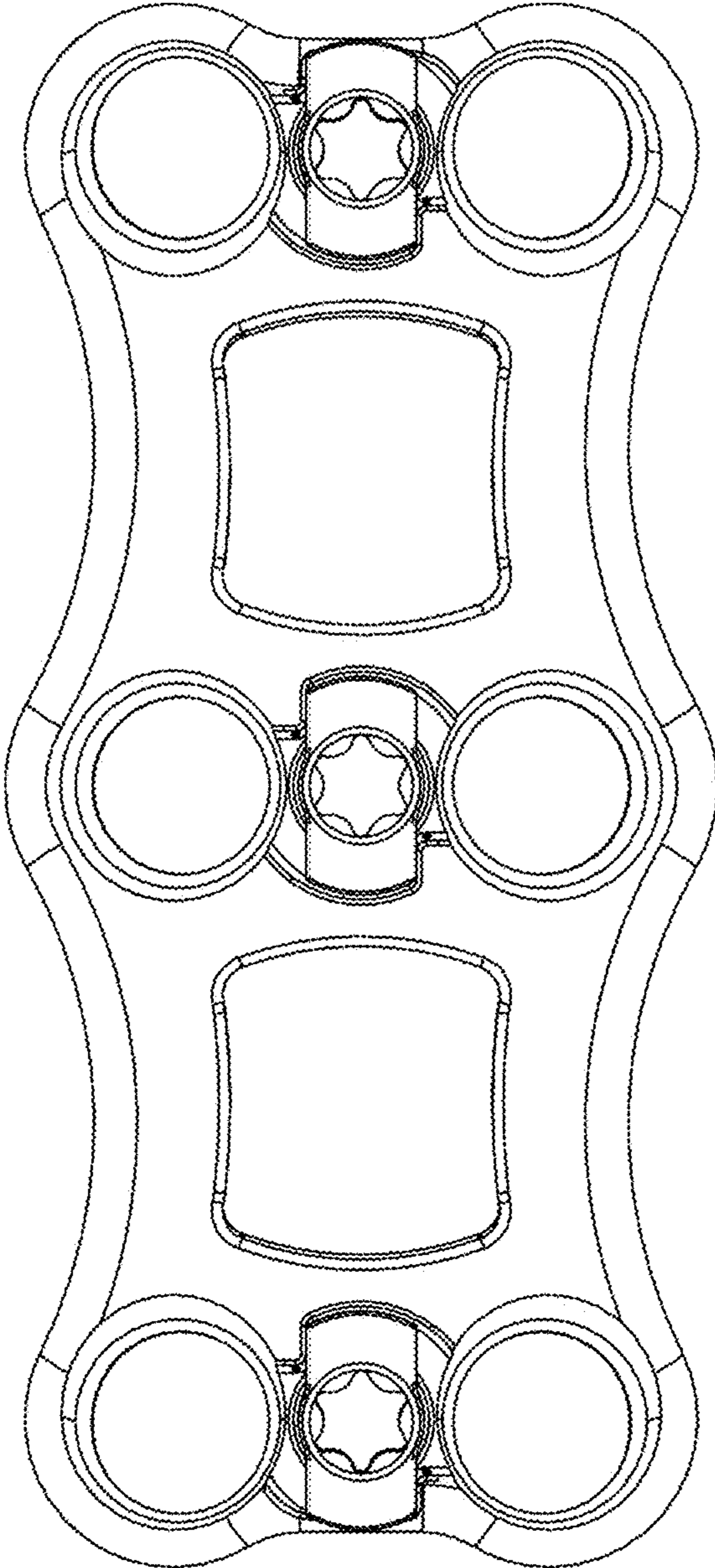


FIG. 9

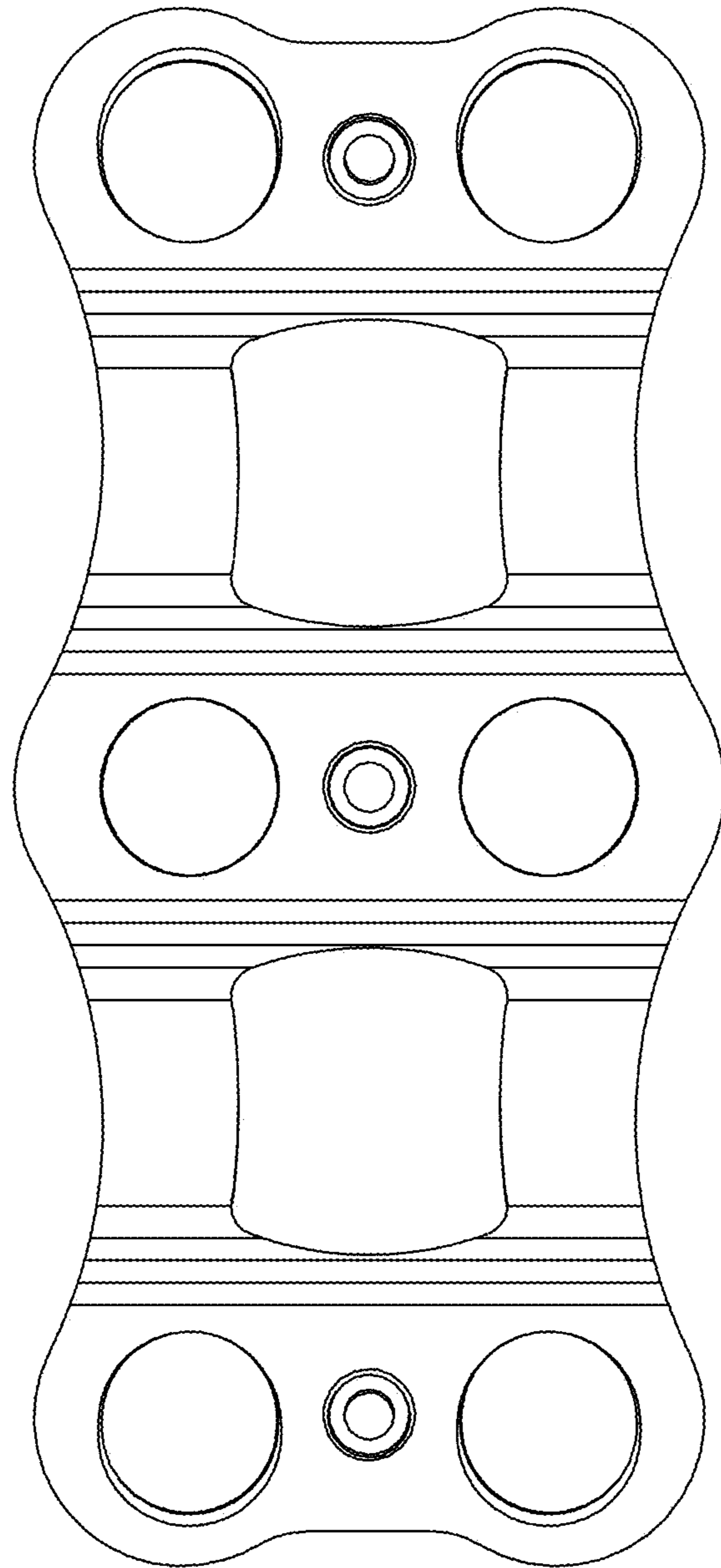


FIG. 10

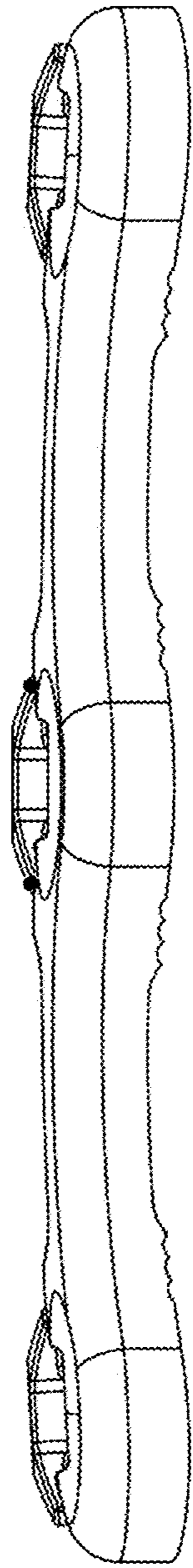


FIG. 11

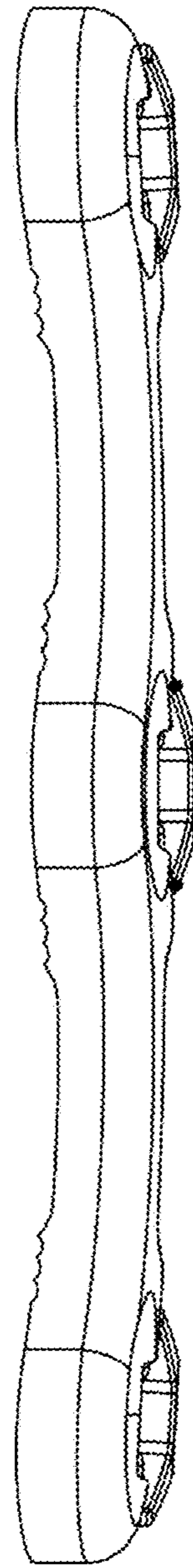


FIG. 12

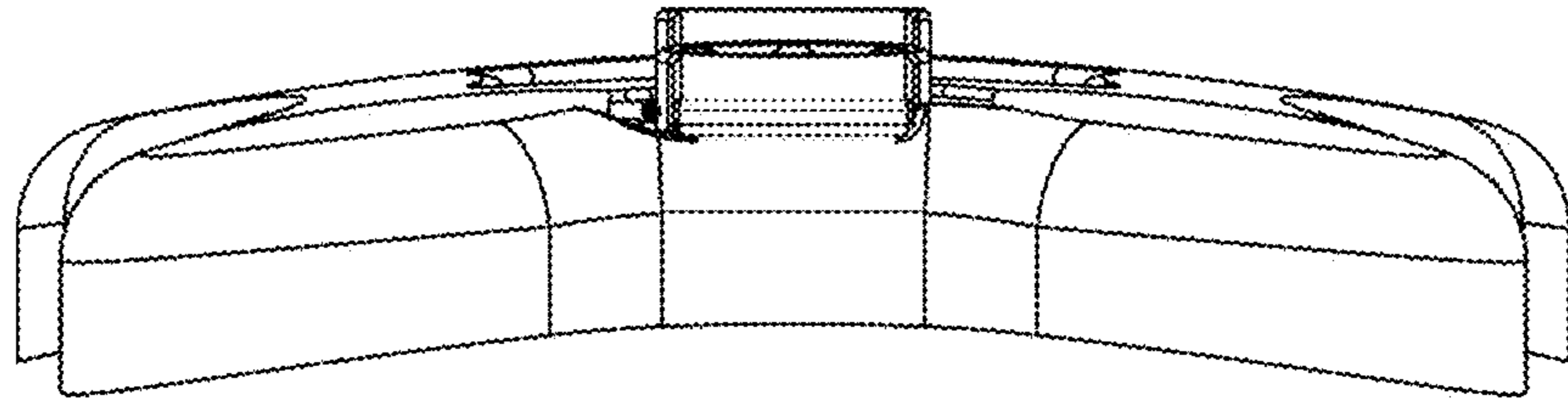


FIG. 13

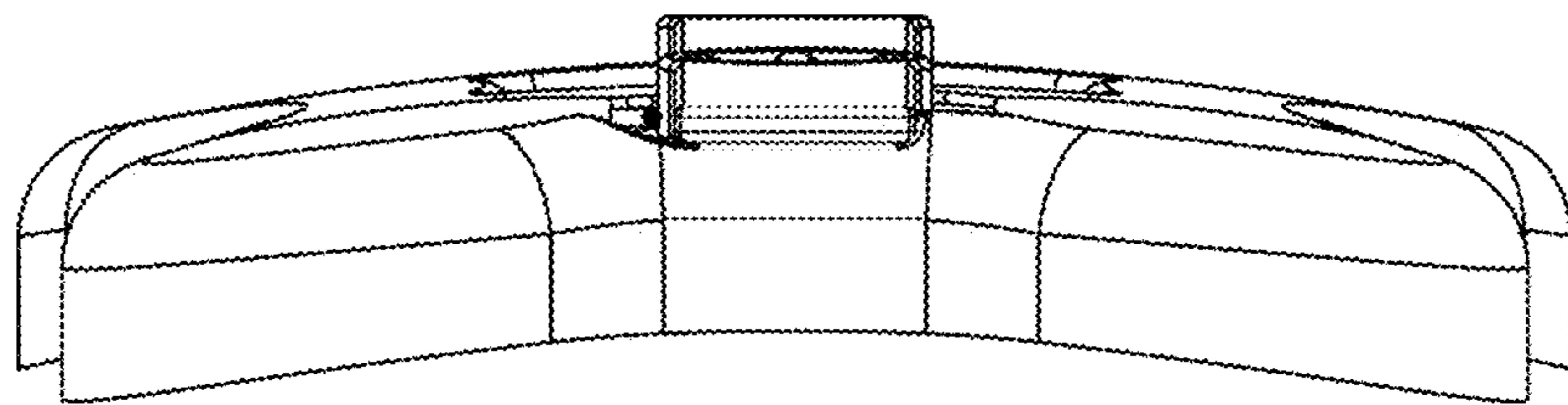


FIG. 14

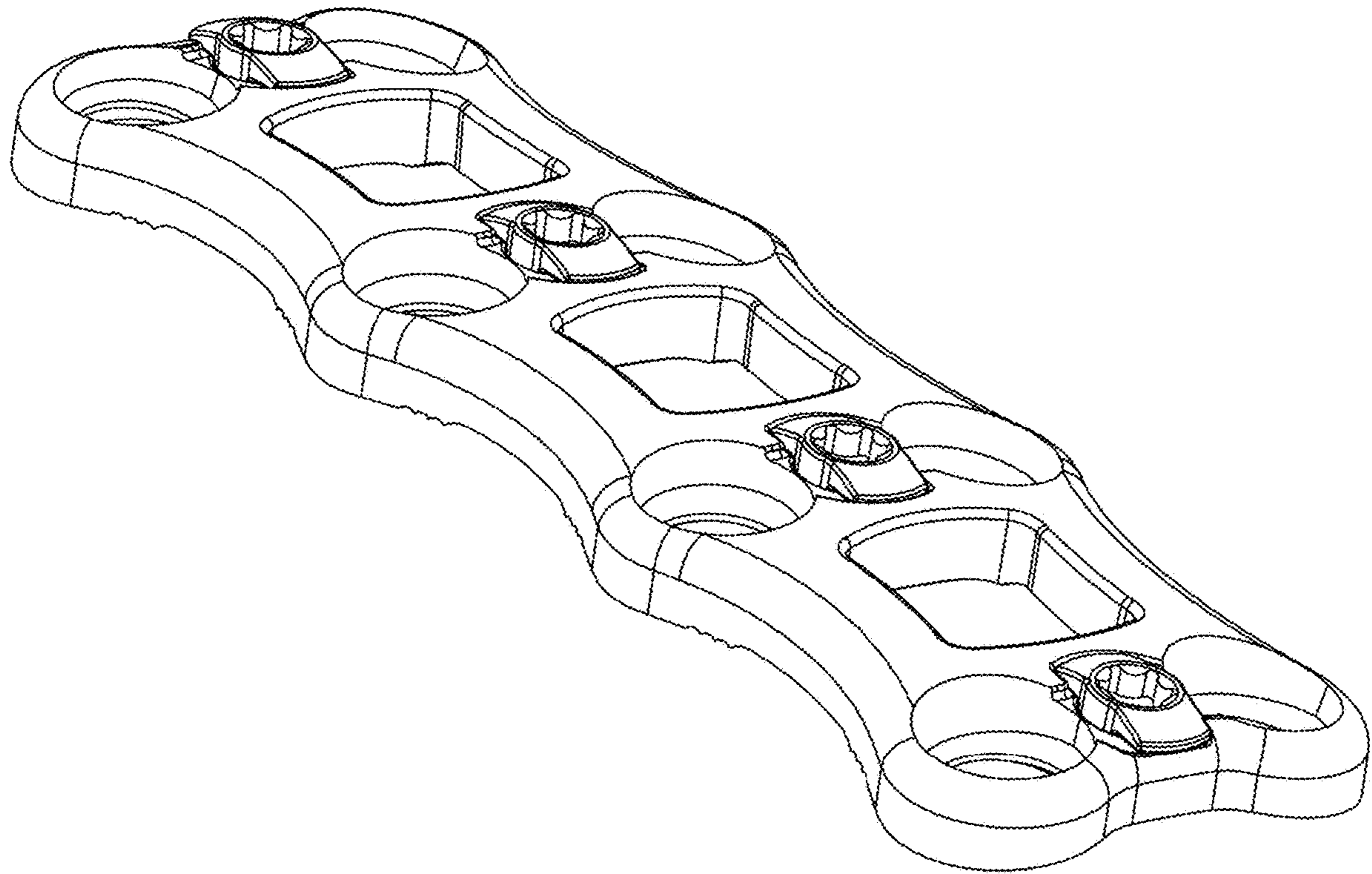


FIG. 15

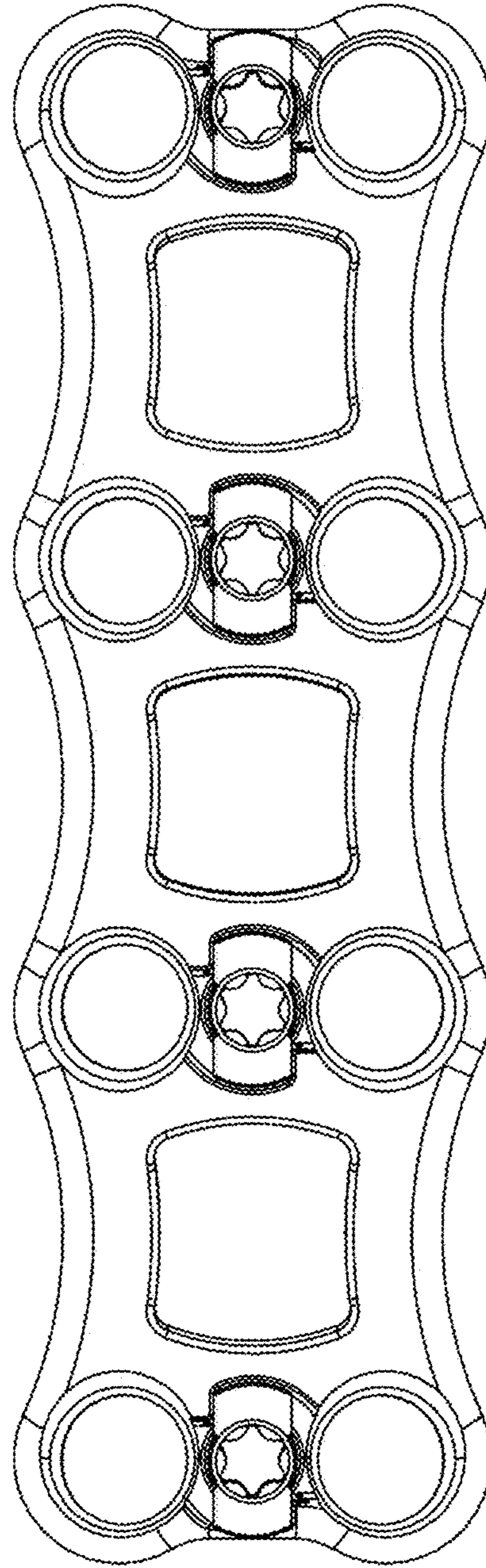


FIG. 16

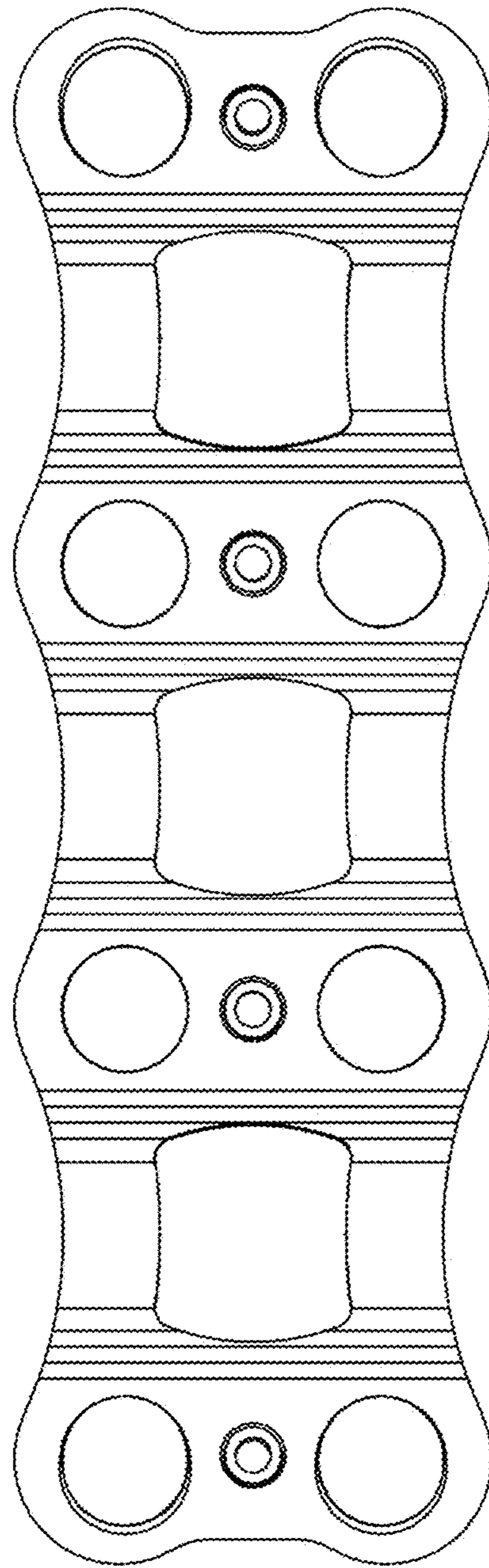


FIG. 17

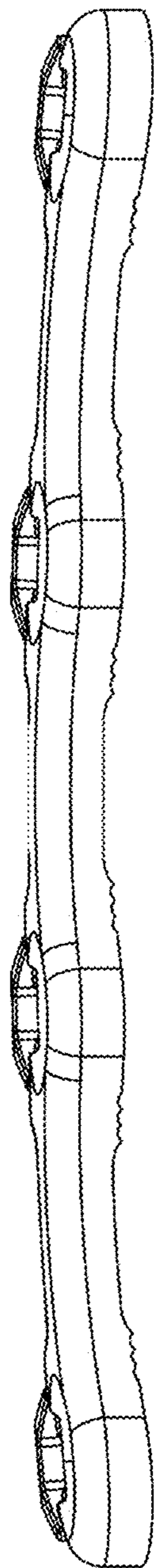


FIG. 18

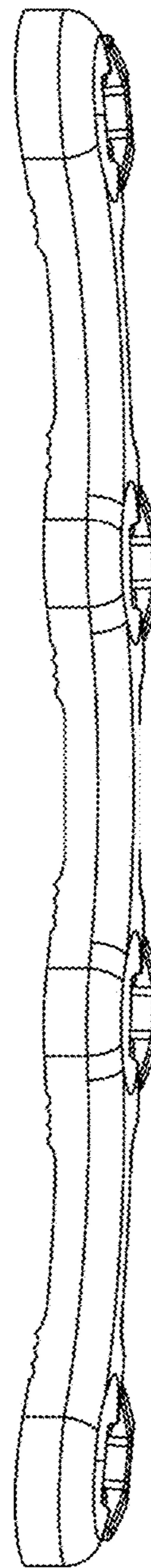


FIG. 19

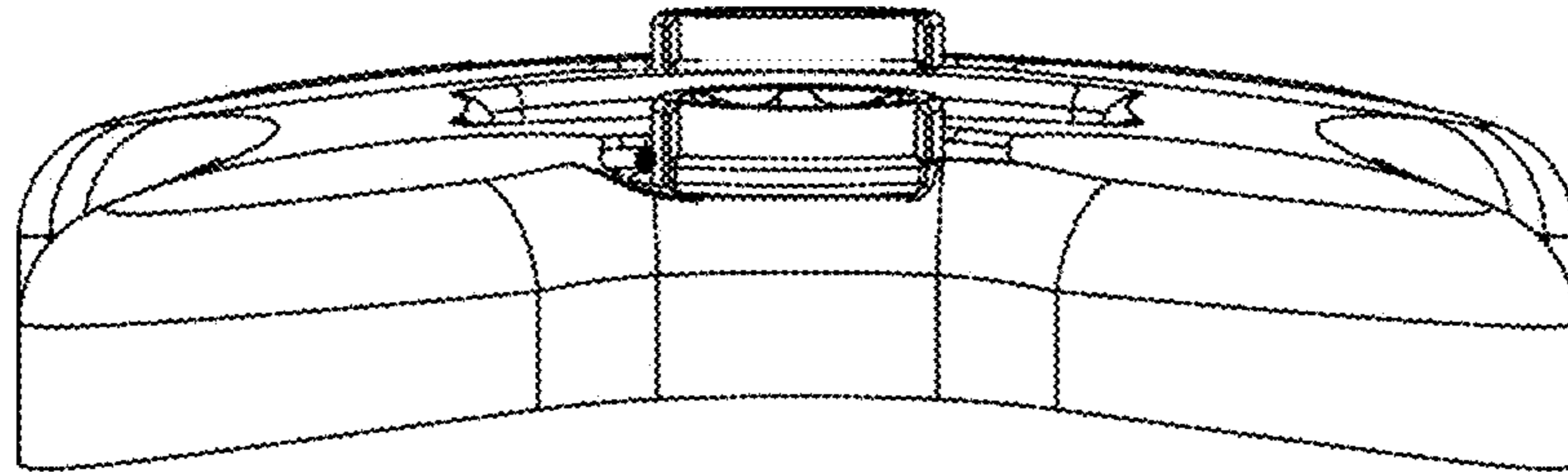


FIG. 20

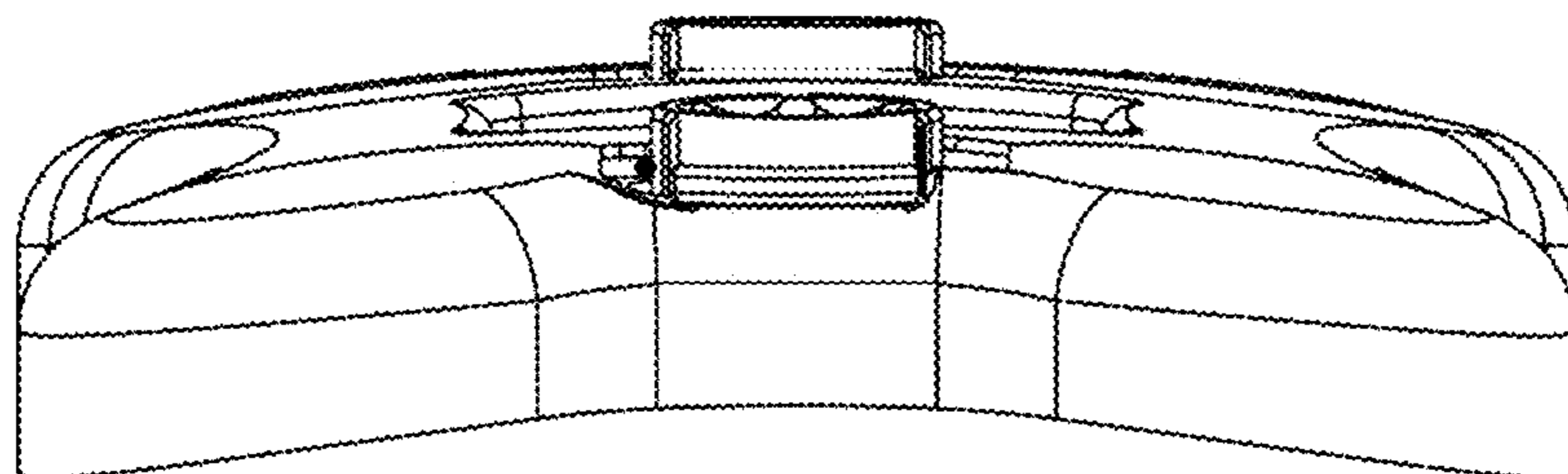


FIG. 21

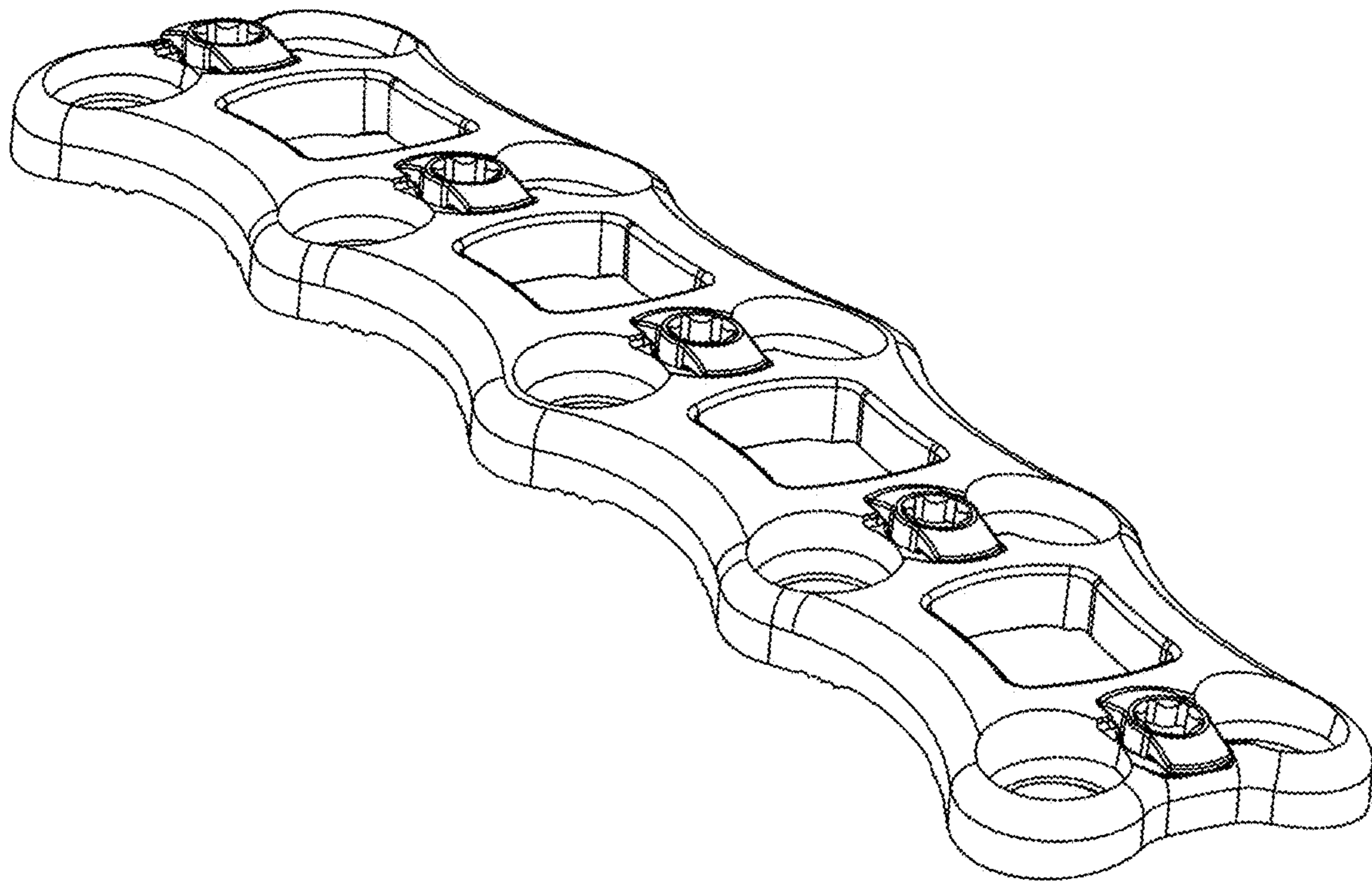


FIG. 22

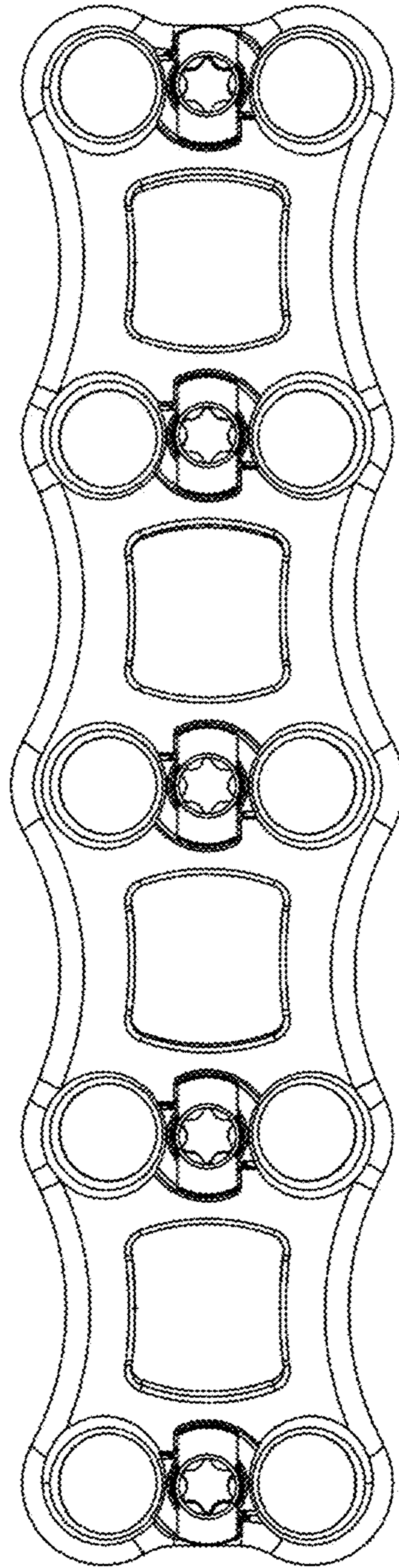


FIG. 23

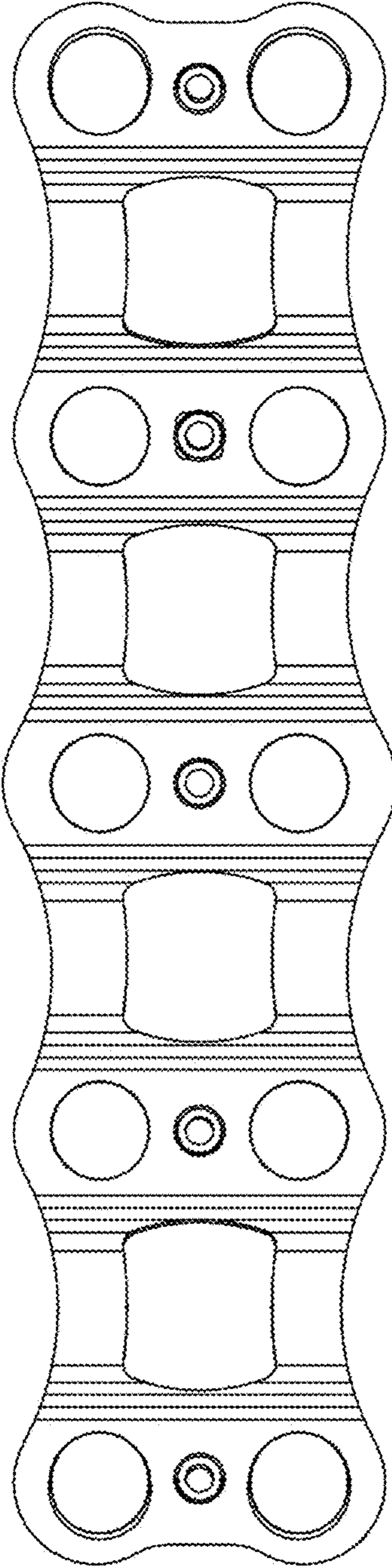


FIG. 24

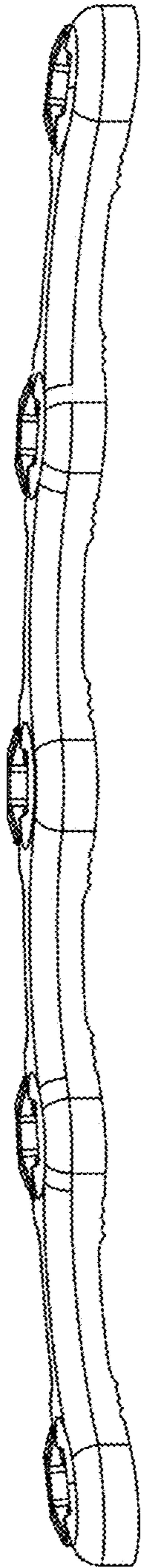


FIG. 25



FIG. 26

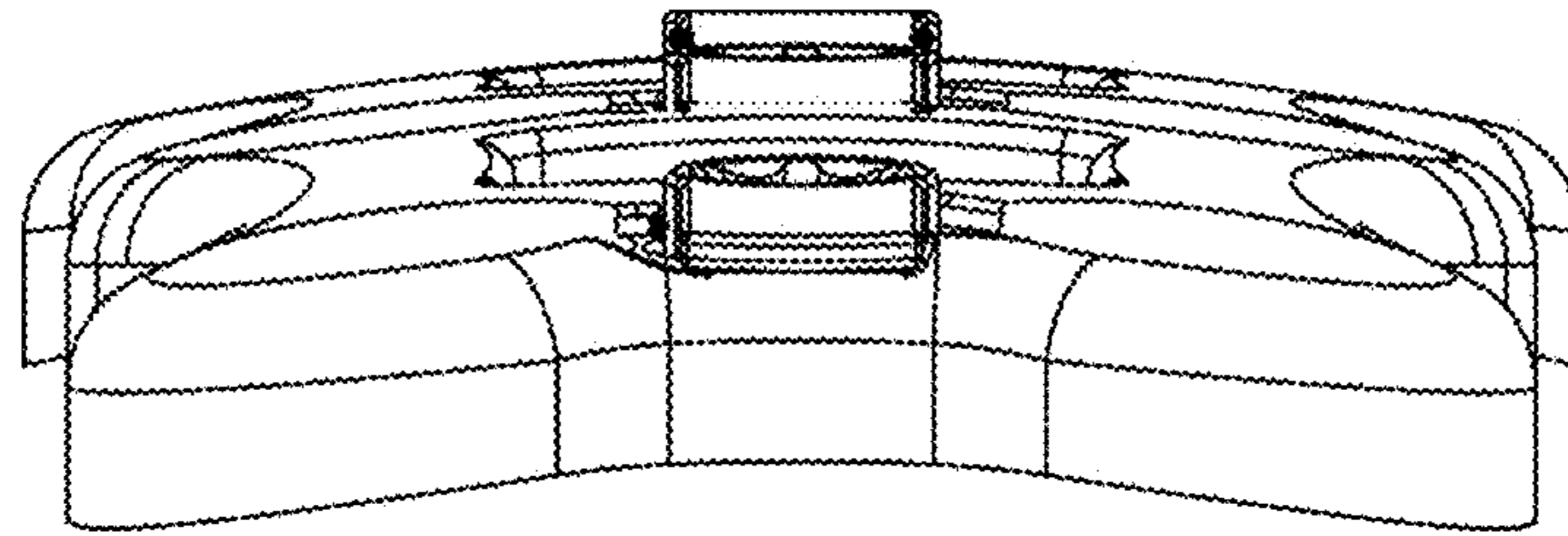


FIG. 27

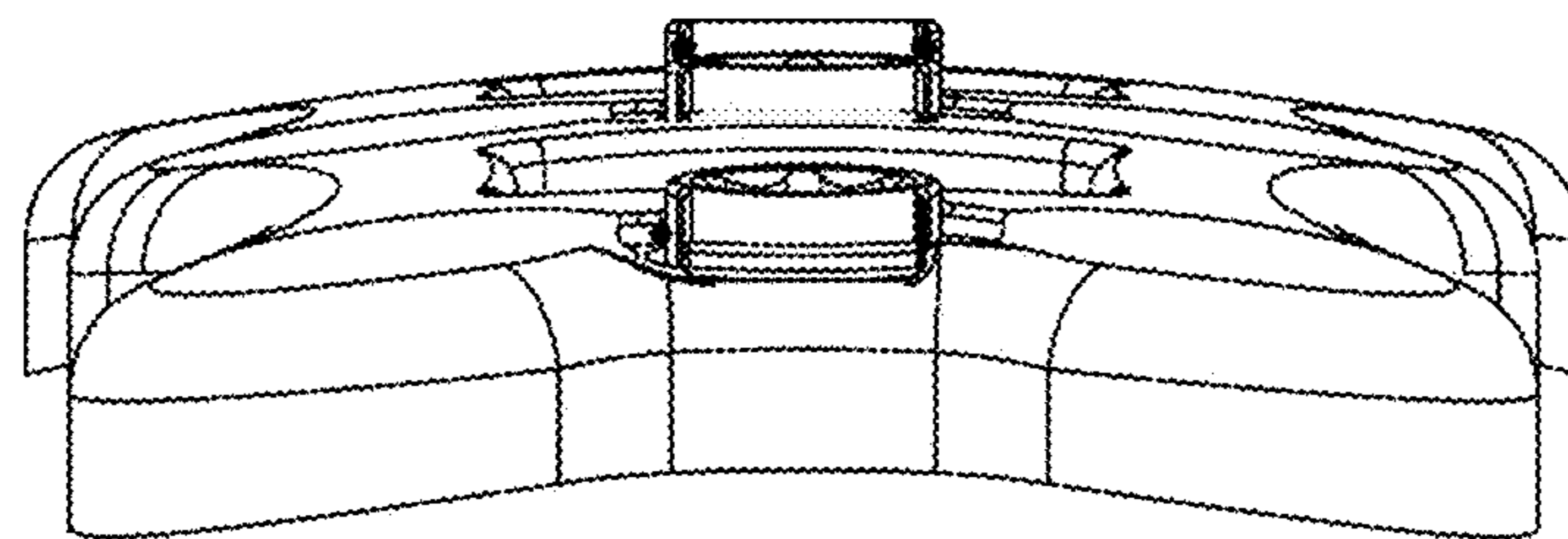


FIG. 28

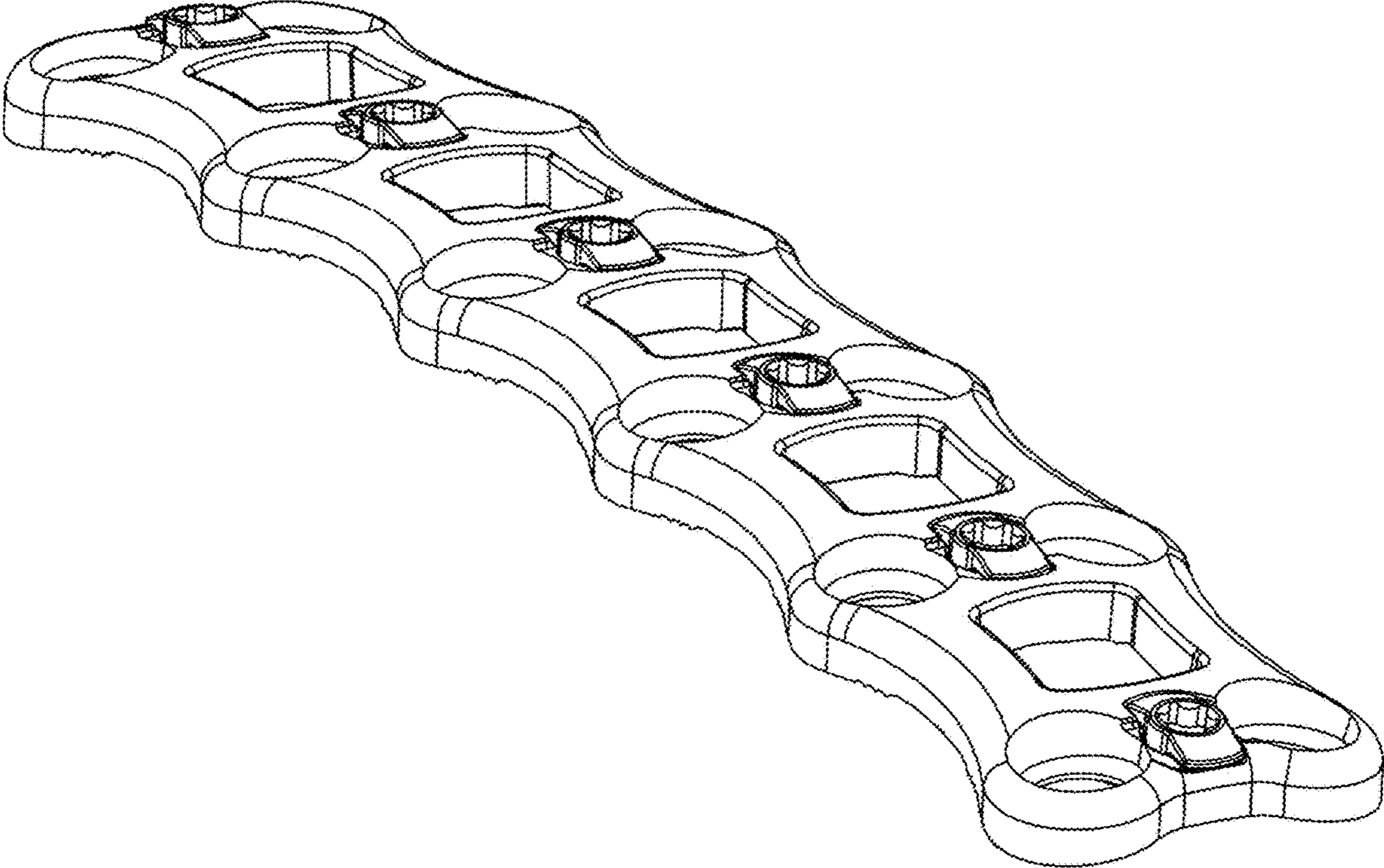


FIG. 29

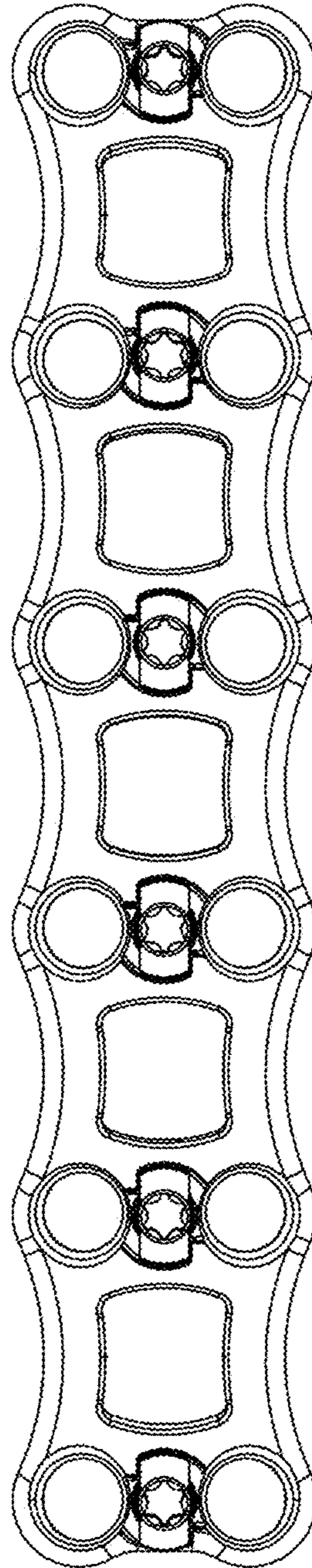


FIG. 30

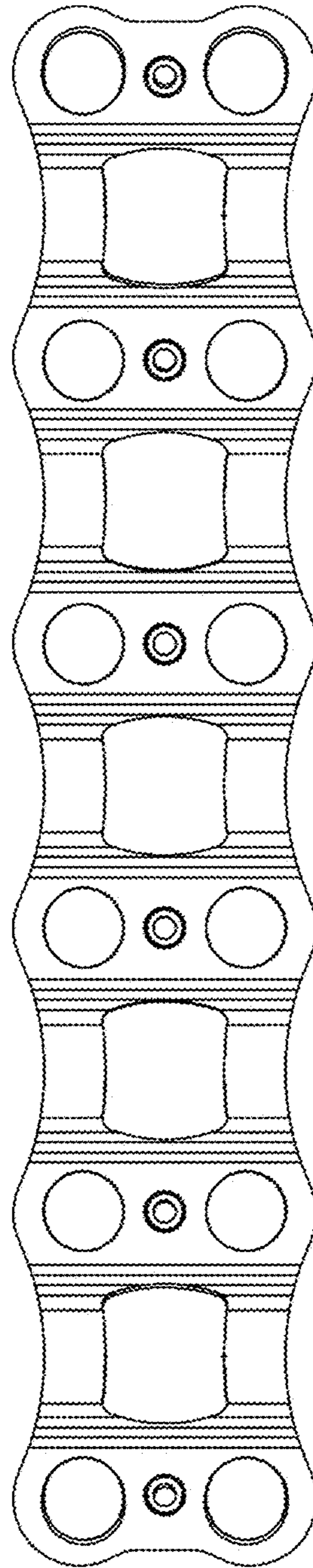


FIG. 31

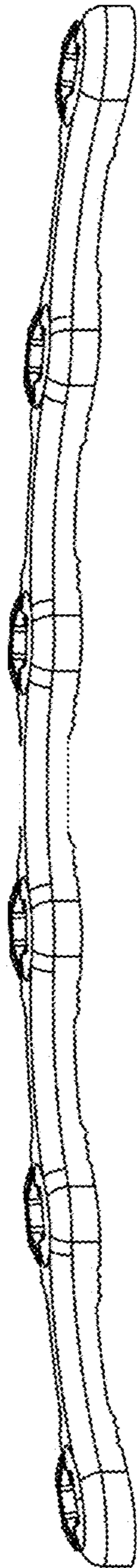


FIG. 32

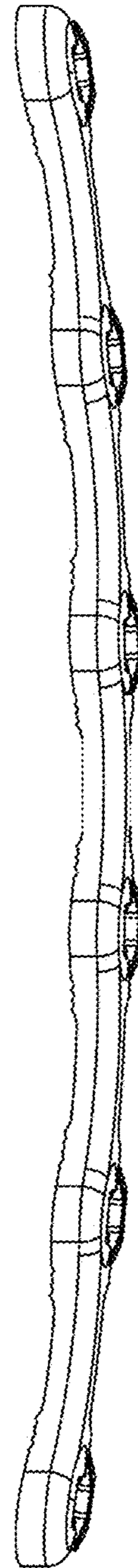


FIG. 33

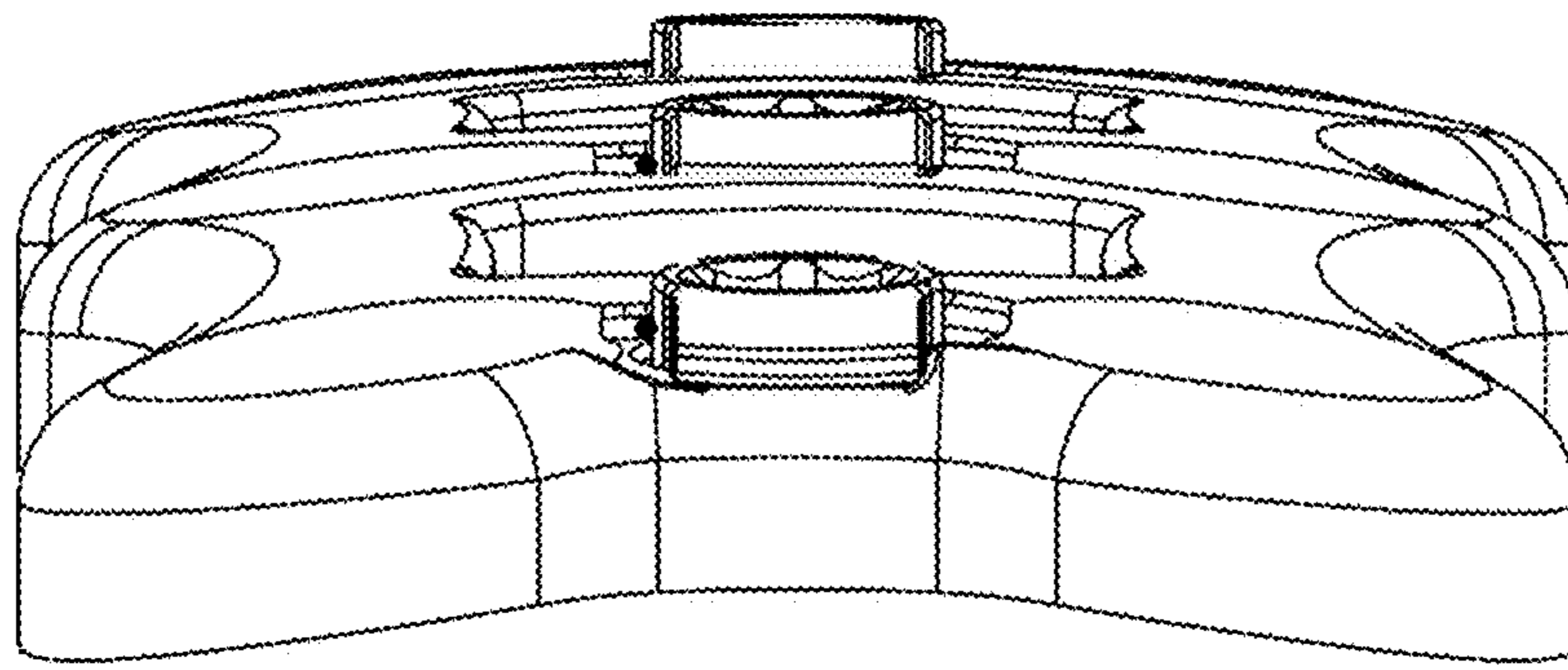


FIG. 34

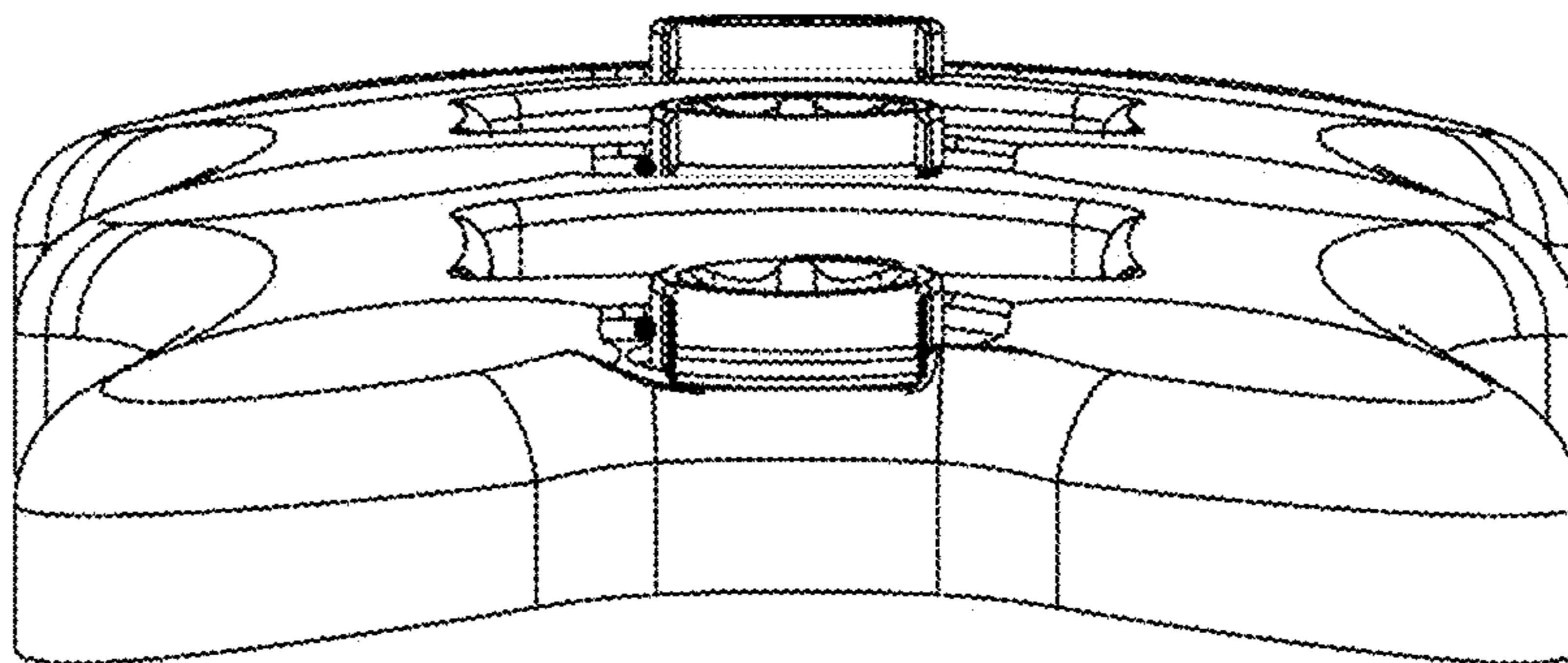


FIG. 35