



US00D877902S

(12) **United States Design Patent** (10) **Patent No.:** **US D877,902 S**
Troli (45) **Date of Patent:** **** Mar. 10, 2020**

(54) **MEDICAL TUBE SITE PLUG**
(71) Applicant: **Christine M. Troli**, Chicago Heights, IL (US)
(72) Inventor: **Christine M. Troli**, Chicago Heights, IL (US)
(**) Term: **15 Years**
(21) Appl. No.: **29/660,618**
(22) Filed: **Aug. 22, 2018**
(51) **LOC (12) Cl.** **24-01**
(52) **U.S. Cl.**
USPC **D24/130**
(58) **Field of Classification Search**
USPC D24/127-131, 112-114, 133, 186; 606/181, 185; 604/264, 523-528, 272, 604/187, 158, 164.01-164.11, 181, 184, 604/227; 600/101, 139, 143; 128/200.24, 207.14, 207.15
CPC A61M 25/02; A61M 2025/0018; A61M 2039/0261; A61M 39/0247; A61M 2039/0273; A61M 2025/028
See application file for complete search history.

(56) **References Cited**
U.S. PATENT DOCUMENTS
D250,544 S * 12/1978 Leonard D24/147
4,258,704 A 3/1981 Hill
D269,549 S * 6/1983 Gross D24/112
4,950,223 A 8/1990 Silvanov
D342,136 S * 12/1993 Lafferty D24/112
5,571,133 A * 11/1996 Yoon A61B 17/3494
604/164.01
5,645,565 A 7/1997 Rudd et al.
D469,871 S * 2/2003 Sand D24/133
6,569,081 B1 5/2003 Nielsen et al.
D545,448 S * 6/2007 Eriksson D24/224
7,258,661 B2 8/2007 Davies et al.
D565,192 S * 3/2008 Tajima D24/222

D588,697 S * 3/2009 Hickok D24/144
D594,119 S * 6/2009 Berberich D24/108
8,070,737 B2 12/2011 Cline et al.
D652,918 S * 1/2012 Egli D24/130
8,092,437 B2 1/2012 Cline
8,096,980 B2 1/2012 Cline
8,152,792 B1 4/2012 Kornel
8,480,707 B2 7/2013 Pavcnik et al.
8,529,429 B2 9/2013 Gobel
D700,318 S * 2/2014 Amoah D24/112
8,684,974 B2 4/2014 Richard
D717,429 S * 11/2014 Kawamura D24/130
D724,200 S * 3/2015 Brannon D24/112
D727,499 S * 4/2015 Schad D24/146
D728,098 S * 4/2015 Schad D24/146
9,023,074 B2 5/2015 Theobald et al.
D748,788 S * 2/2016 Brannon D24/146
(Continued)

OTHER PUBLICATIONS

Youtube.com, Christine M. Troli Emergency Site Plug; Dec. 20, 2018, <https://www.youtube.com/watch?v=GKRFXo2SZLs> (Year: 2018).*

Primary Examiner — Nathan M Johnston
(74) *Attorney, Agent, or Firm* — Cramer Patent & Design, PLLC; Aaron R. Cramer

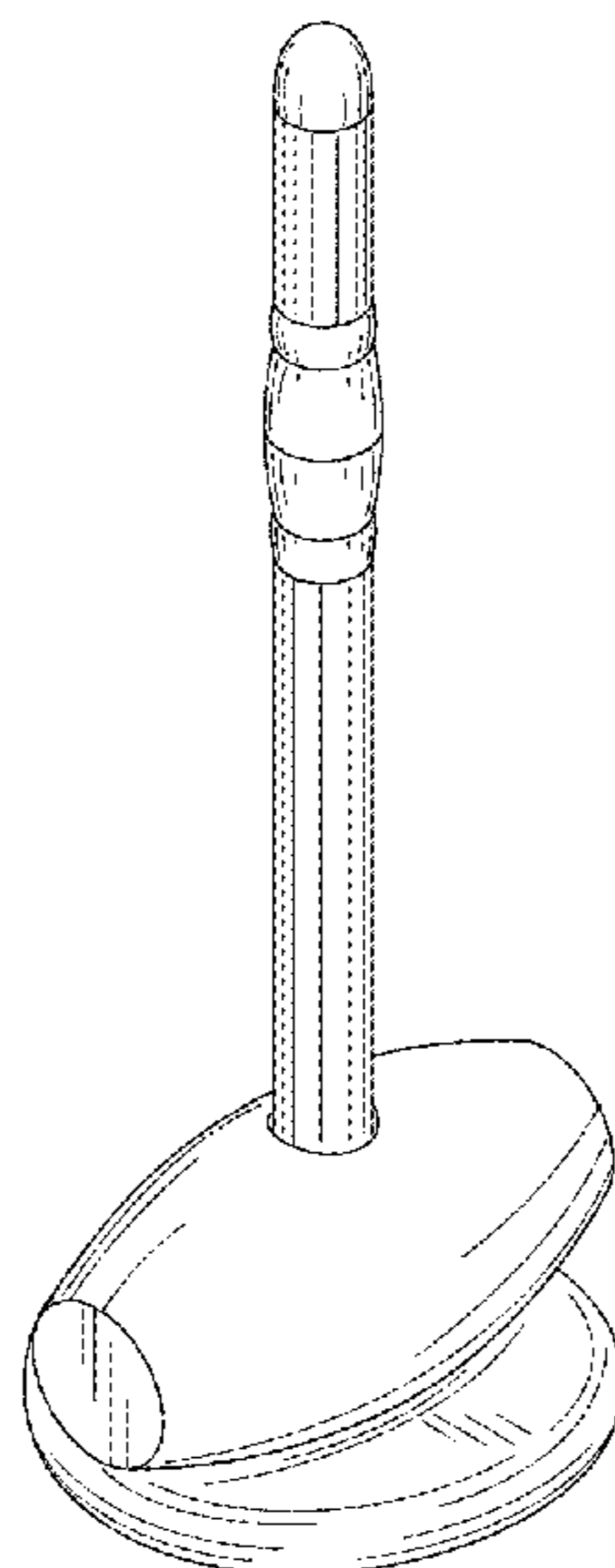
(57) **CLAIM**

The ornamental design for a medical tube site plug, as shown and described.

DESCRIPTION

FIG. 1 is a perspective top front right view of a medical tube site plug, showing my new design;
FIG. 2 is a front elevation view thereof, wherein the rear elevation view is an identical image thereof;
FIG. 3 is a left elevation view thereof, wherein the right elevation view is an identical image thereof;
FIG. 4 is a top plan view thereof; and,
FIG. 5 is a bottom plan view thereof.

1 Claim, 4 Drawing Sheets



(56)

References Cited

U.S. PATENT DOCUMENTS

9,764,116	B2	9/2017	Khalaj et al.	
D800,307	S *	10/2017	DeNeui	D24/146
D814,035	S *	3/2018	Fuchs	D24/147
D814,036	S *	3/2018	Fuchs	D24/147
D819,203	S *	5/2018	Grunhut	D24/130
D831,213	S *	10/2018	Kuun	D24/147
D846,143	S *	4/2019	Ito	D24/222
D855,804	S *	8/2019	Sweeney	D24/146
2005/0267383	A1 *	12/2005	Groenke	A61B 10/025 600/567
2012/0239072	A1 *	9/2012	Rodriguez	A61B 17/1617 606/185
2019/0151610	A1 *	5/2019	Fletter	A61M 25/0017

* cited by examiner

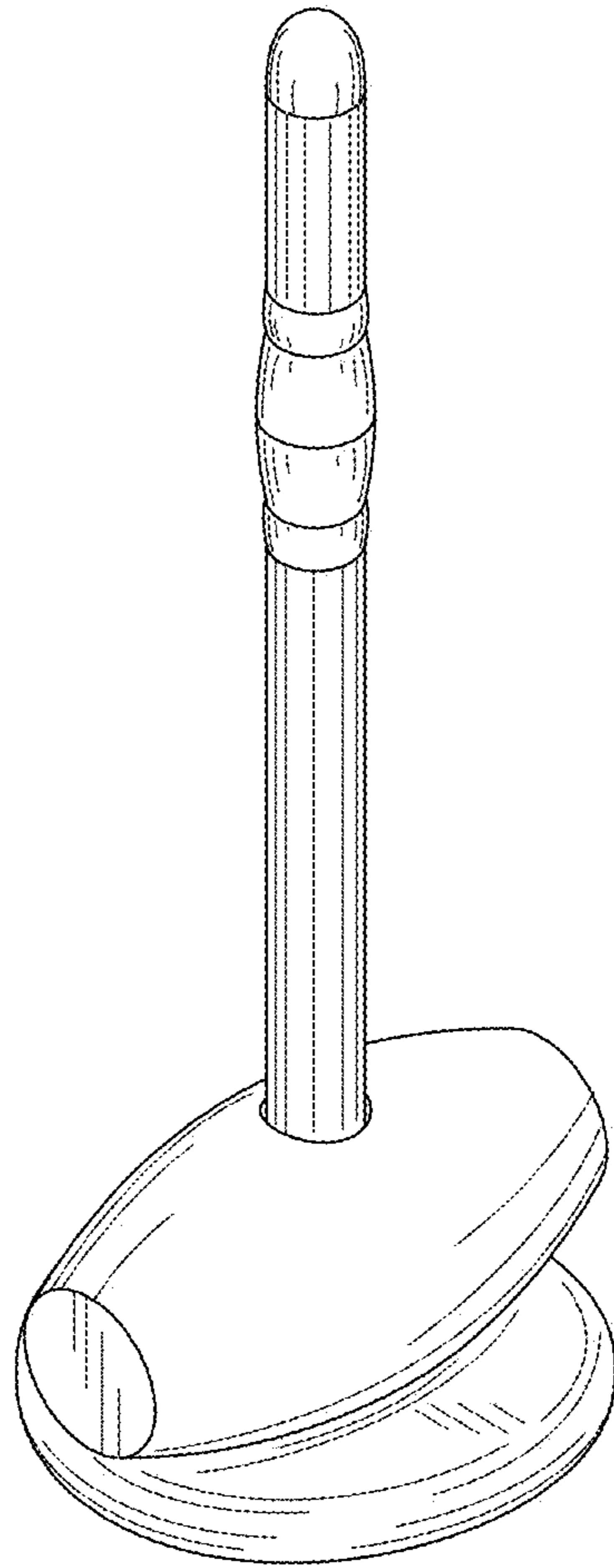


FIG. 1

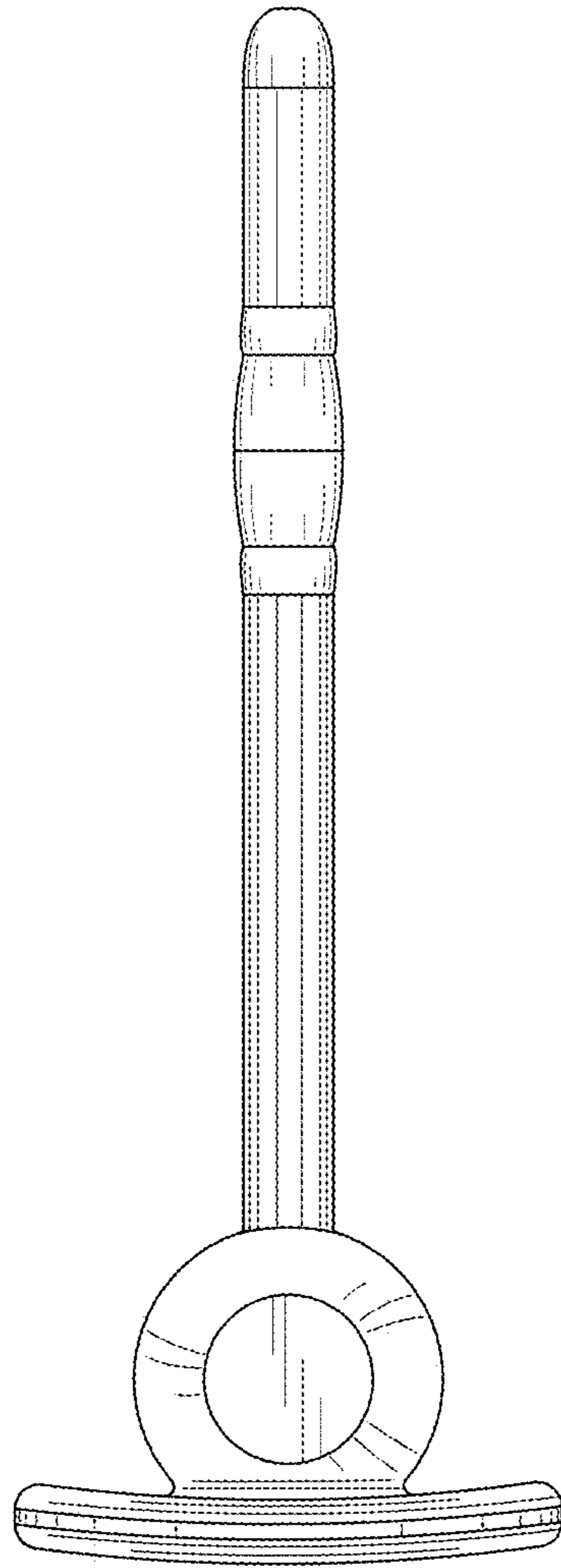


FIG. 2

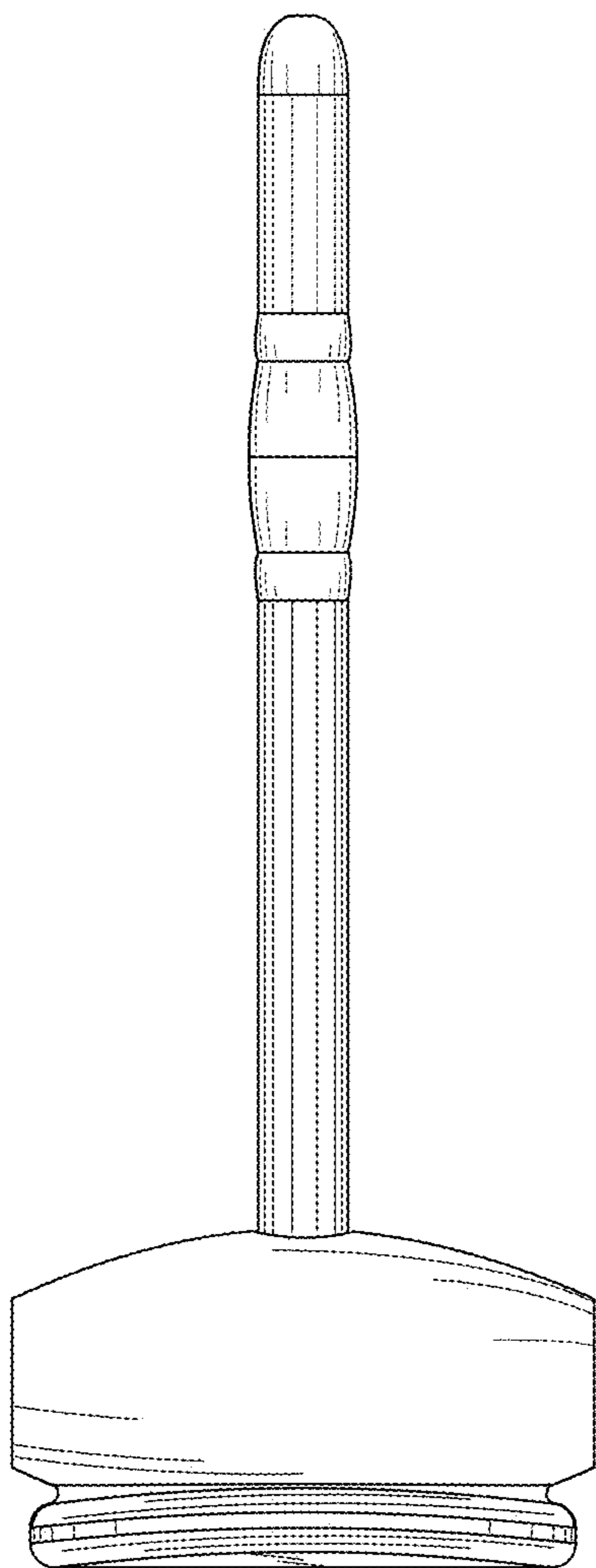


FIG. 3

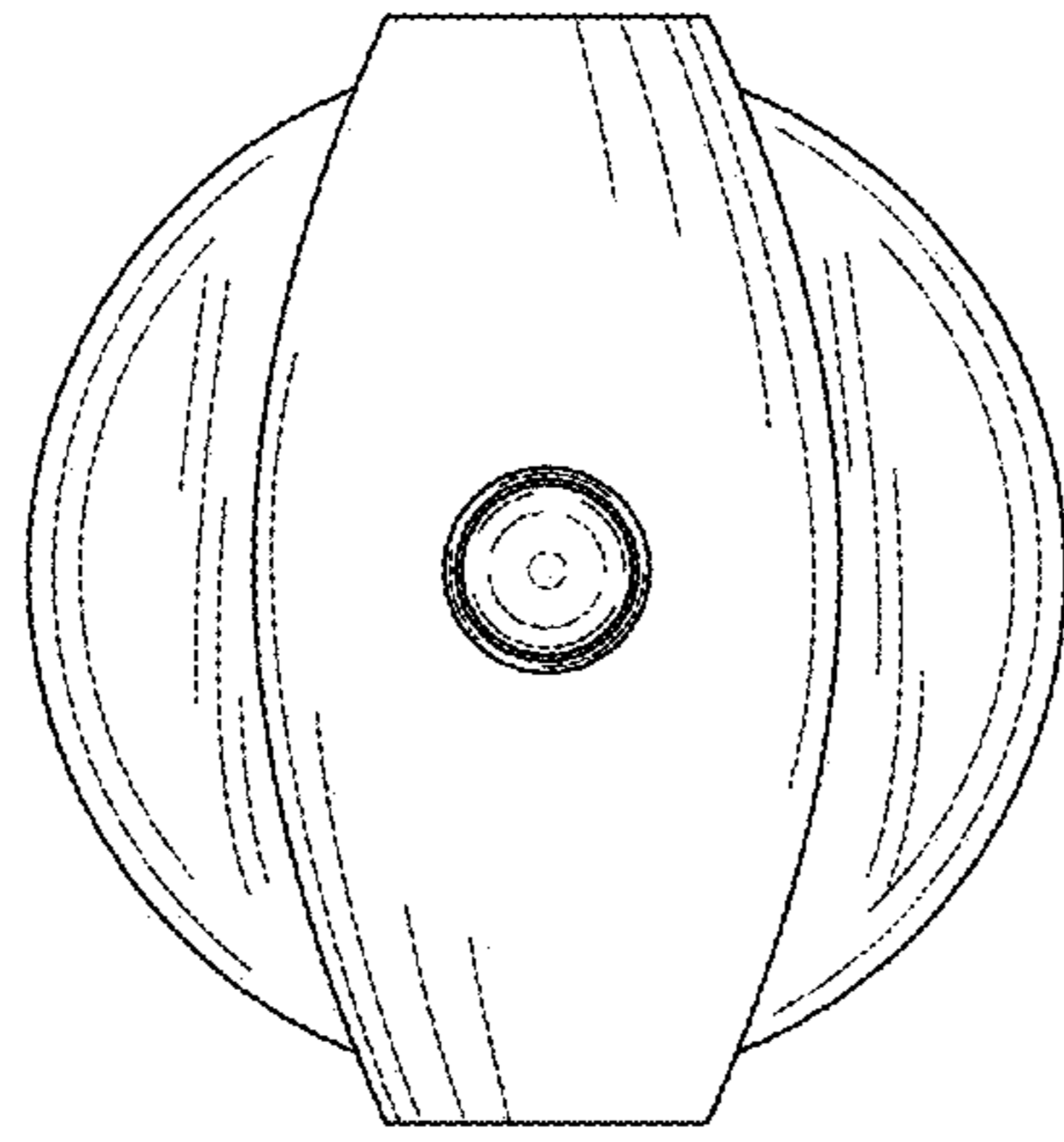


FIG. 4

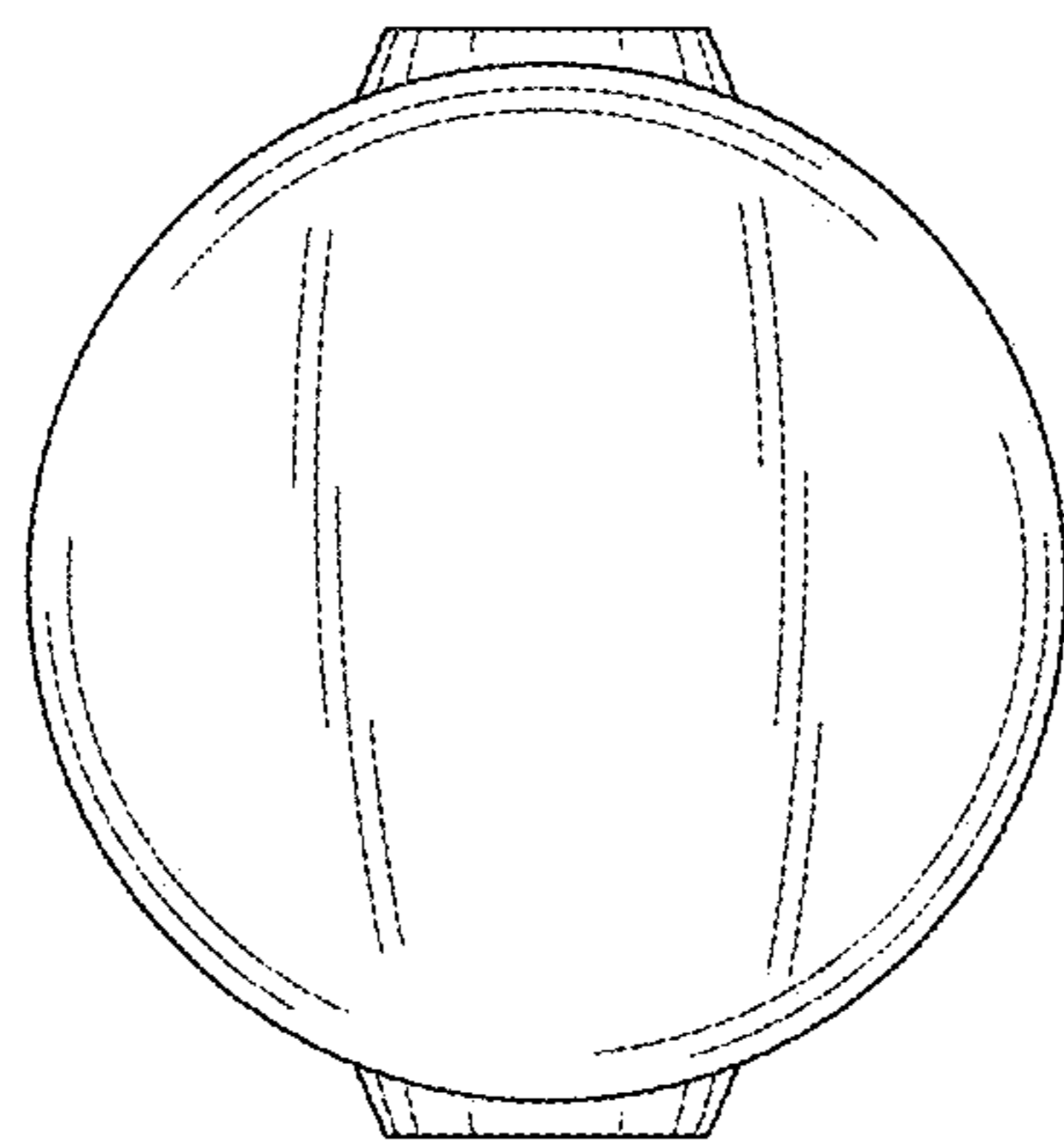


FIG. 5