



US00D877901S

(12) **United States Design Patent**
Taylor

(10) **Patent No.:** **US D877,901 S**

(45) **Date of Patent:** **** Mar. 10, 2020**

(54) **SURGICAL TOOL**

(71) Applicant: **Coloplast A/S**, Humlebaek (DK)

(72) Inventor: **Jeffrey Brian Taylor**, Forest Lake, MN (US)

(73) Assignee: **Coloplast A/S**, Humlebaek (DK)

(**) Term: **15 Years**

(21) Appl. No.: **29/593,587**

(22) Filed: **Feb. 10, 2017**

Related U.S. Application Data

(62) Division of application No. 29/525,331, filed on Apr. 29, 2015, now Pat. No. Des. 792,969.

(51) **LOC (12) Cl.** **24-02**

(52) **U.S. Cl.**
USPC **D24/130**

(58) **Field of Classification Search**
USPC D24/108, 112, 117, 118, 130, 133, 135,
D24/137, 138, 222, 141, 111, 113, 127,
D24/143, 144, 148, 179, 216, 152, 153,
D24/154, 176, 170

CPC A61M 2005/3139; A61M 5/3137; A61M
2005/3142; A61M 5/3213; A61M 5/3243;
A61M 2005/3143; A61M 5/31511; A61F
2005/4483

See application file for complete search history.

(56) **References Cited**

U.S. PATENT DOCUMENTS

4,244,370 A	1/1981	Furlow et al.	
D289,198 S *	4/1987	Karten	D24/114
D300,243 S *	3/1989	Lee	D24/114
D303,009 S *	8/1989	Strasser	D24/112
D358,645 S *	5/1995	Ryan	D24/140
5,433,722 A	7/1995	Sharpe et al.	

D379,229 S *	5/1997	Como Rodriguez	D24/146
D402,029 S *	12/1998	Shinabarger	D24/112
5,868,729 A	2/1999	Pelfrey	
5,904,692 A	5/1999	Steckel et al.	
5,993,459 A	11/1999	Larsen et al.	
D436,664 S *	1/2001	Lamoureux	D24/146
D439,980 S *	4/2001	Reiley	D24/147
D449,691 S *	10/2001	Reiley	D24/147
D482,787 S *	11/2003	Reiss	D24/146
D505,200 S *	5/2005	Simpson	D24/114
D532,710 S *	11/2006	Sisk	D10/60
D539,900 S *	4/2007	Fedenia	D24/108
D554,008 S *	10/2007	Sisk	D10/60

(Continued)

OTHER PUBLICATIONS

Office Action dated Jun. 29, 2017 in U.S. Appl. No. 14/698,866.
Office Action dated Dec. 26, 2017 in U.S. Appl. No. 14/698,866.

Primary Examiner — Eliza Z Bennett-Hattan

(74) *Attorney, Agent, or Firm* — Coloplast Corp.,
Coloplast A/S; Nick Baumann

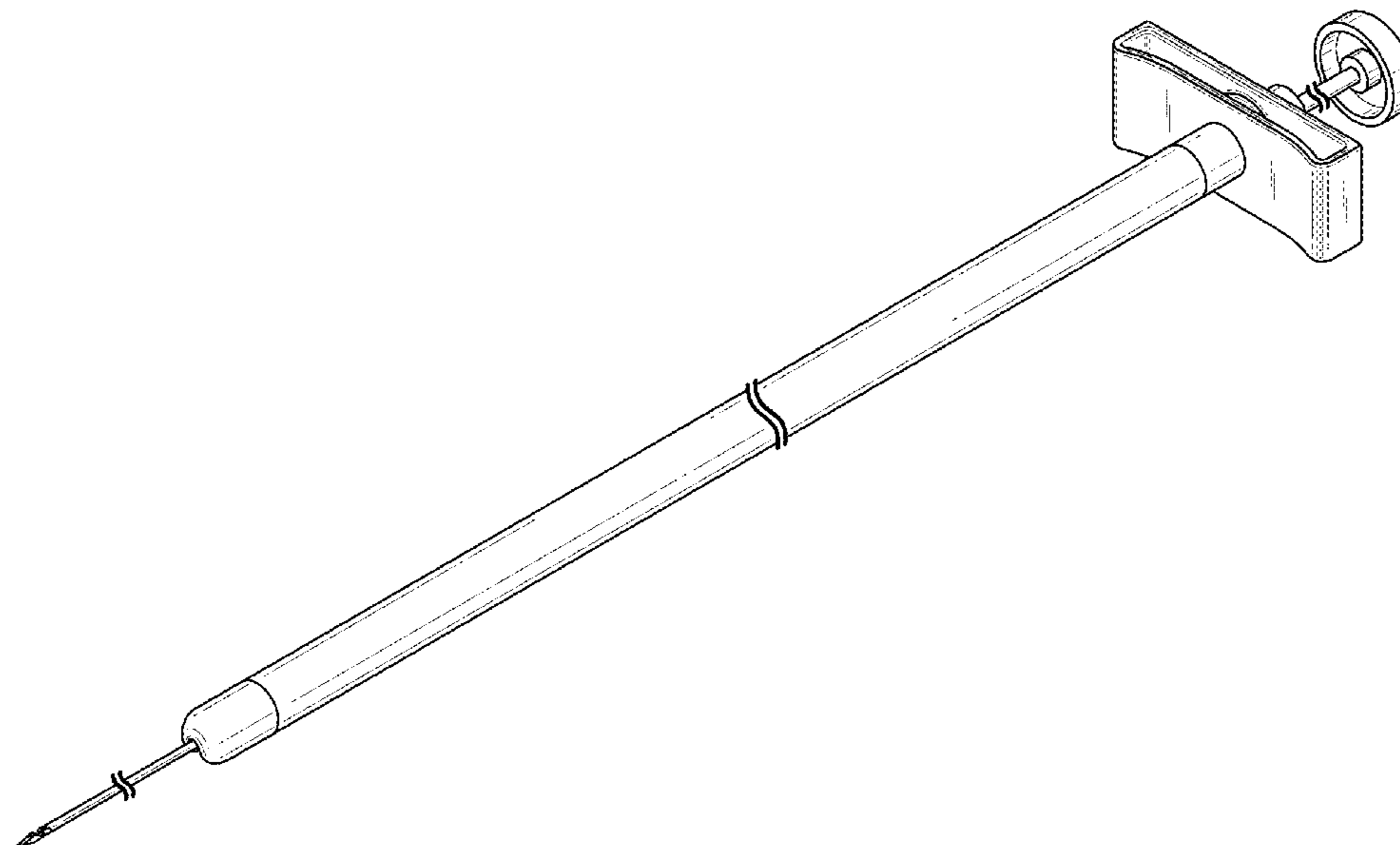
(57) **CLAIM**

The ornamental design for a surgical tool, as shown and described.

DESCRIPTION

FIG. 1 is an overhead perspective view of a surgical tool. FIG. 2 is an underside perspective view of the surgical tool. FIG. 3 is an underside perspective view of an alternative position of the surgical tool. FIG. 4 is a top plan view of the surgical tool. FIG. 5 is a bottom plan view of the surgical tool. FIG. 6 is a right side elevational view of the surgical tool, the left side elevational view being a mirror image of the right side elevational view. FIG. 7 is a front elevational view of the surgical tool; and, FIG. 8 is a rear elevational view of the surgical tool.

1 Claim, 7 Drawing Sheets



(56)

References Cited

U.S. PATENT DOCUMENTS

7,407,482	B2	8/2008	Kuyava	
D607,102	S	12/2009	Robinson	
D610,258	S	2/2010	Robinson	
8,066,718	B2	11/2011	Weisel et al.	
D663,838	S	7/2012	Mastri et al.	
D667,954	S	9/2012	Mastri et al.	
D673,670	S	1/2013	Linnenschmidt	
D675,317	S *	1/2013	Baxter	D24/130
D678,511	S	3/2013	Fojtik	
D697,207	S	1/2014	Paget et al.	
D707,356	S *	6/2014	Vonck	D24/133
D708,738	S	7/2014	Berman et al.	
D715,431	S *	10/2014	Vonck	D24/133
D734,459	S	7/2015	Arnett	
D745,674	S *	12/2015	Gaynor	D24/141
D748,775	S	2/2016	Greeson, Jr.	
D749,214	S *	2/2016	Uenishi	D24/130
9,451,982	B1 *	9/2016	Taylor	A61B 17/3468
2004/0133211	A1 *	7/2004	Raskin	A61B 17/3468
				606/92
2008/0243126	A1 *	10/2008	Gutierrez	A61B 17/1631
				606/84
2016/0317306	A1 *	11/2016	Taylor	A61F 2/26

* cited by examiner

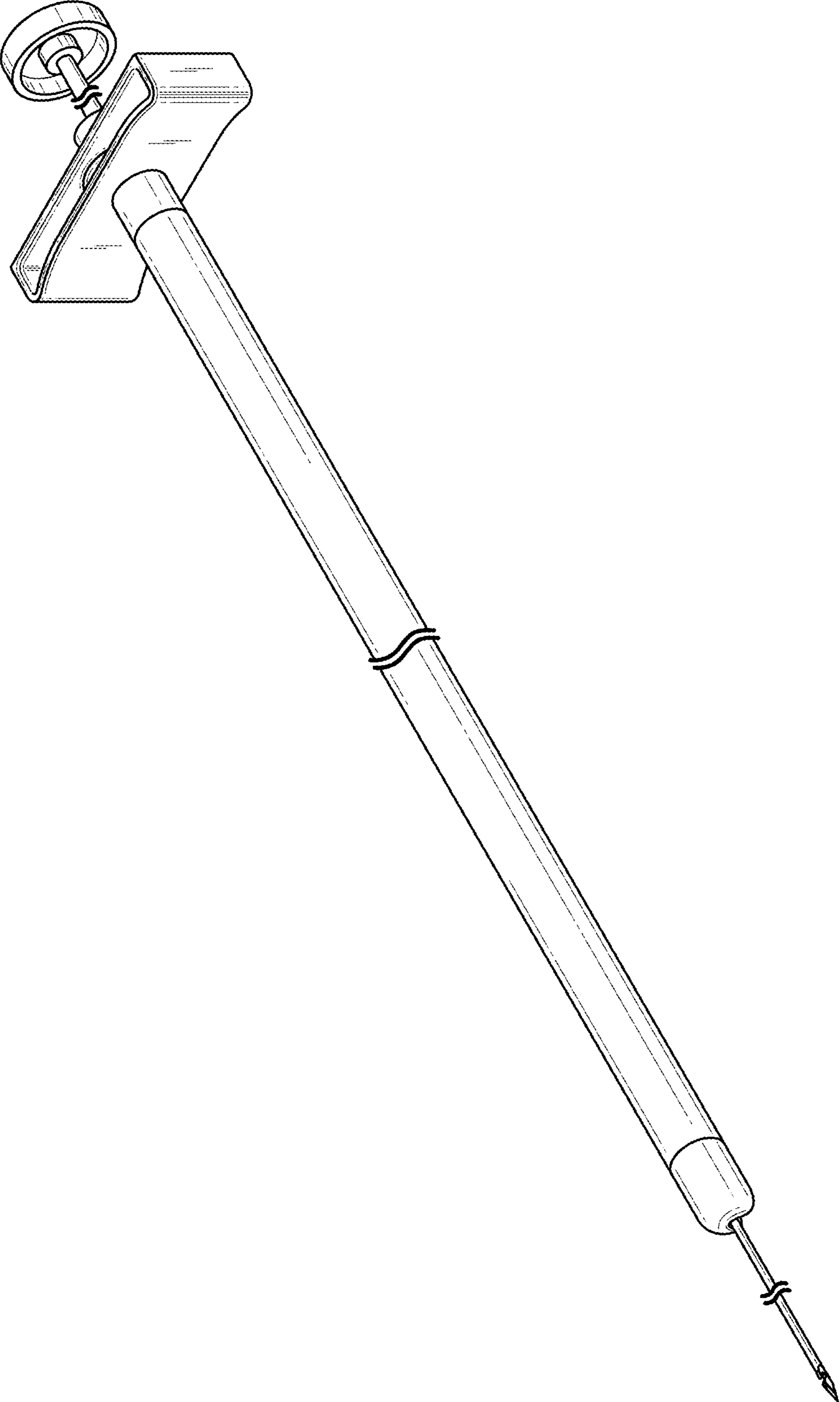


Fig. 1

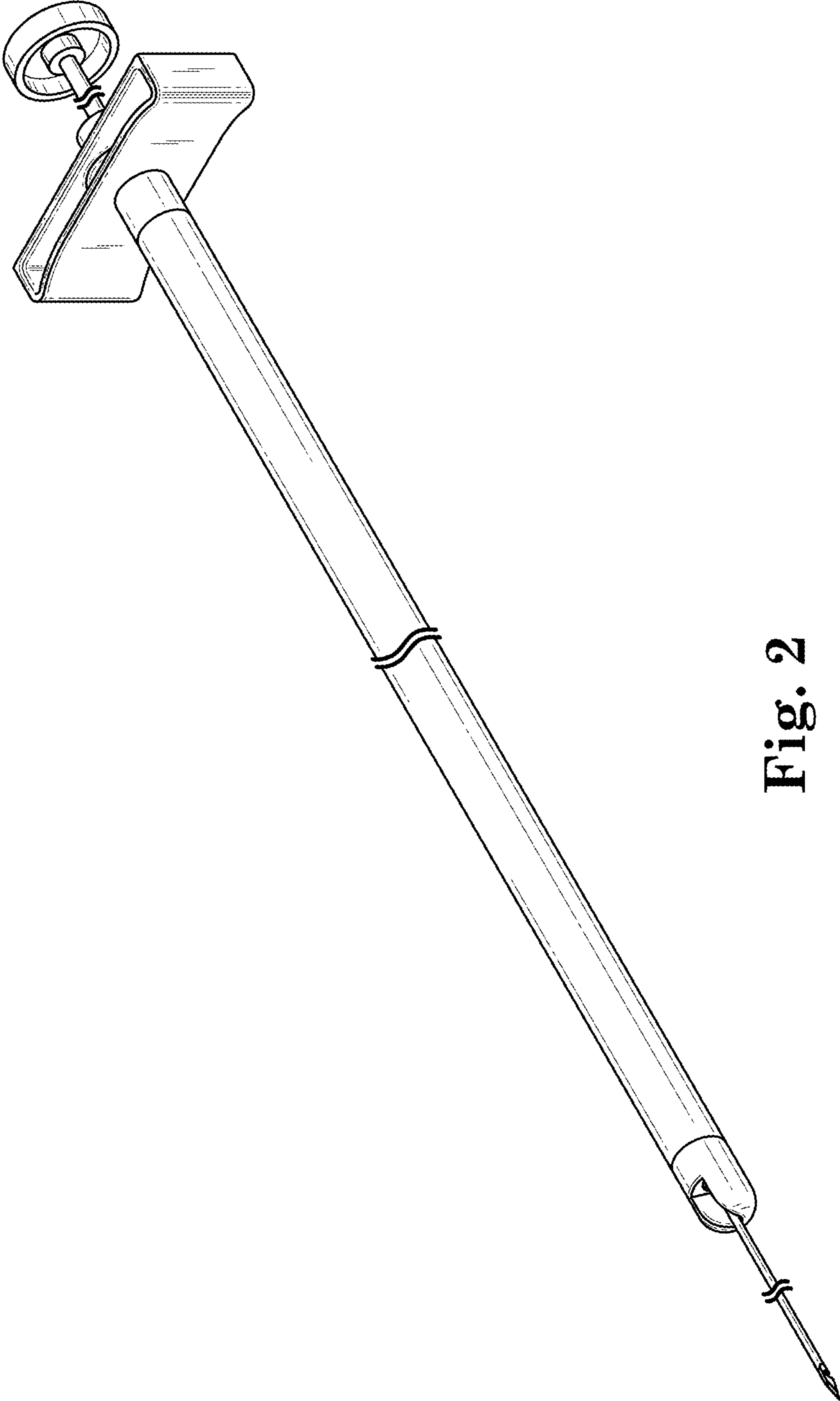


Fig. 2

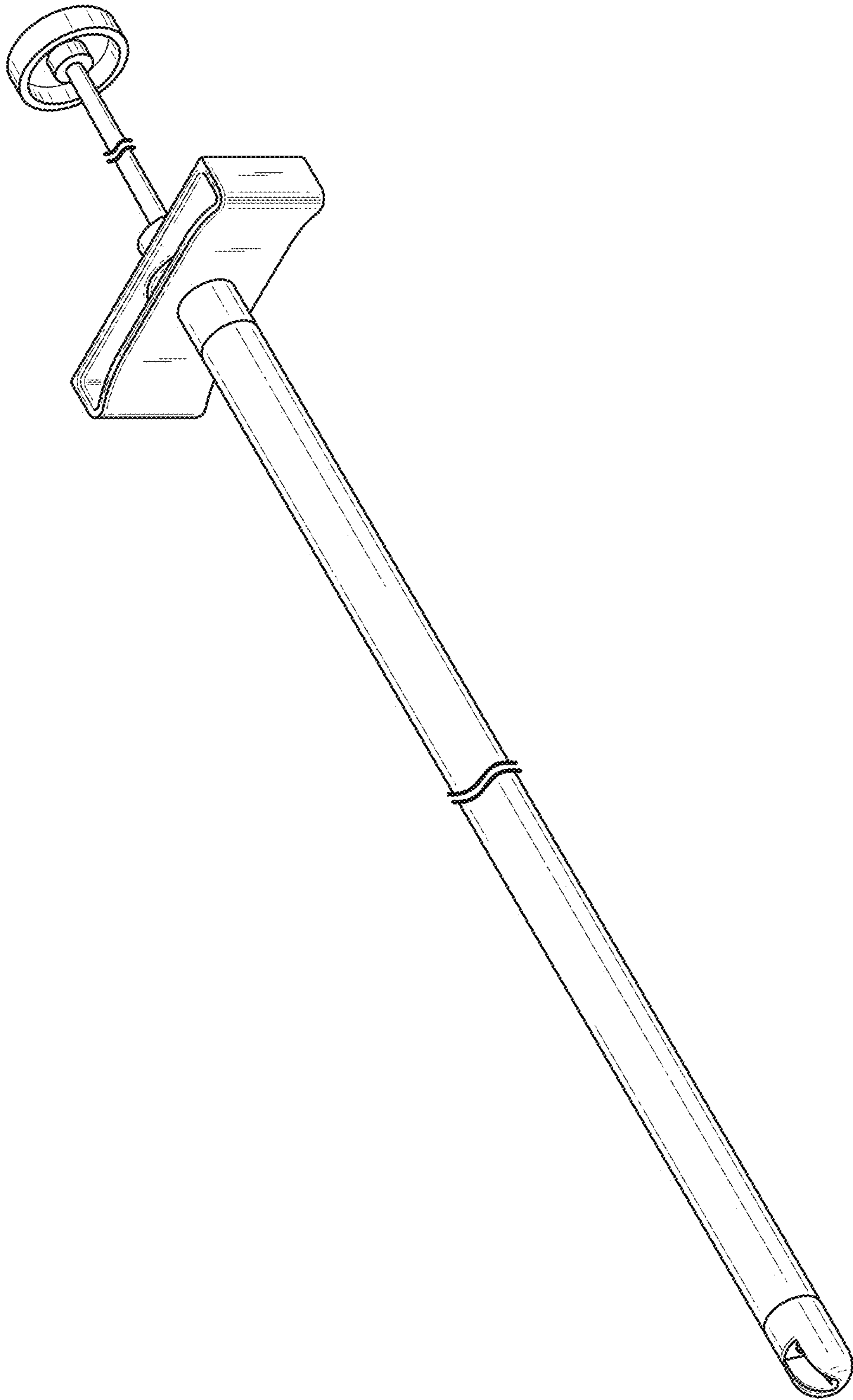


Fig. 3

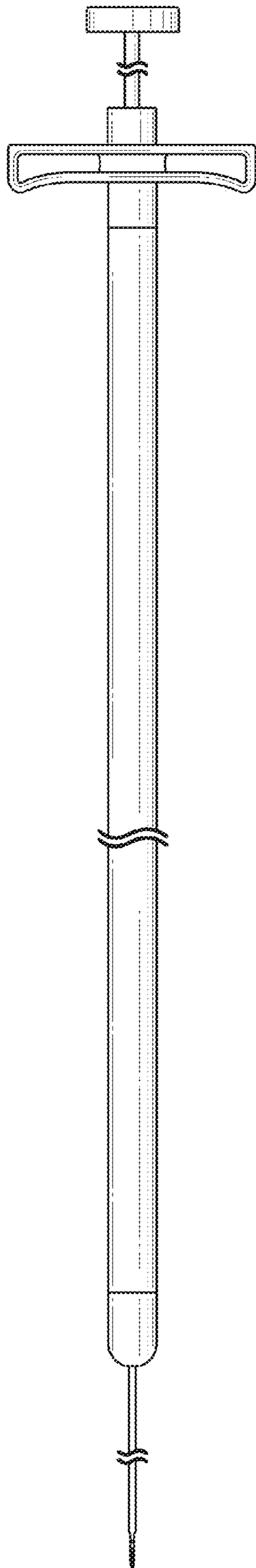


Fig. 4

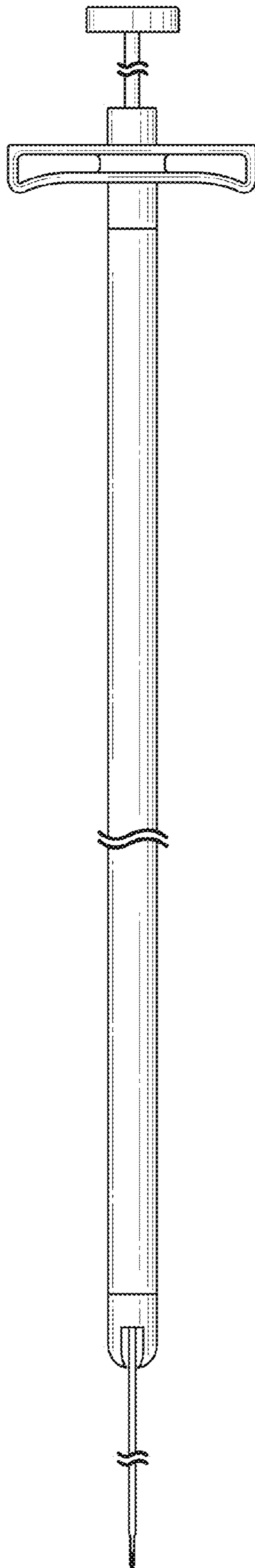


Fig. 5

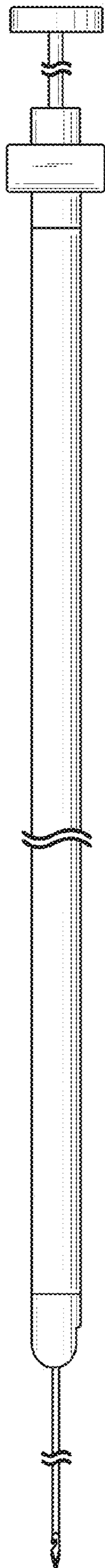


Fig. 6

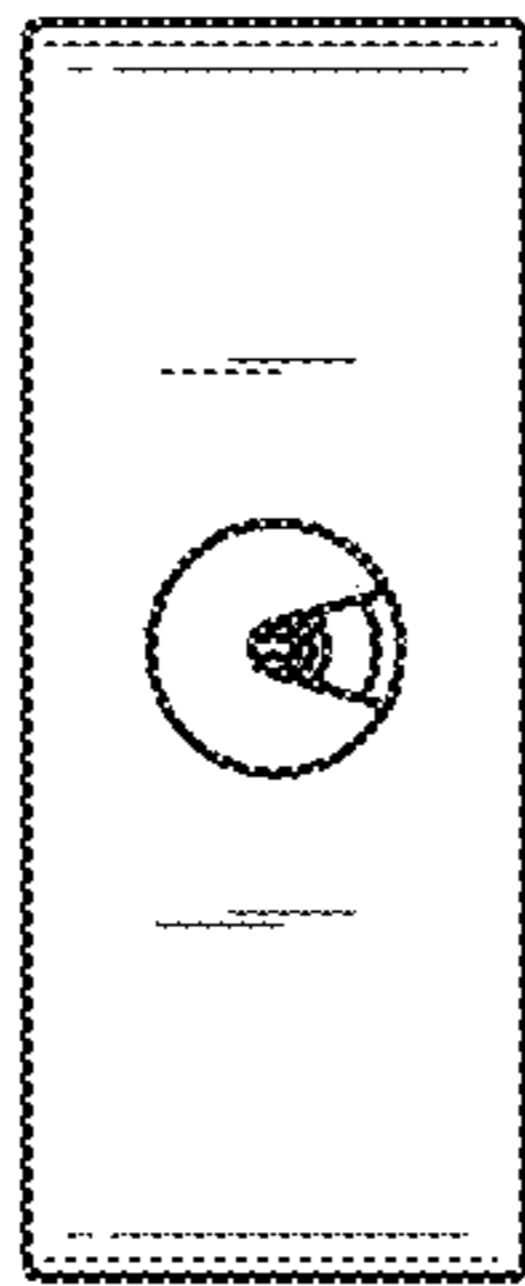


Fig. 7

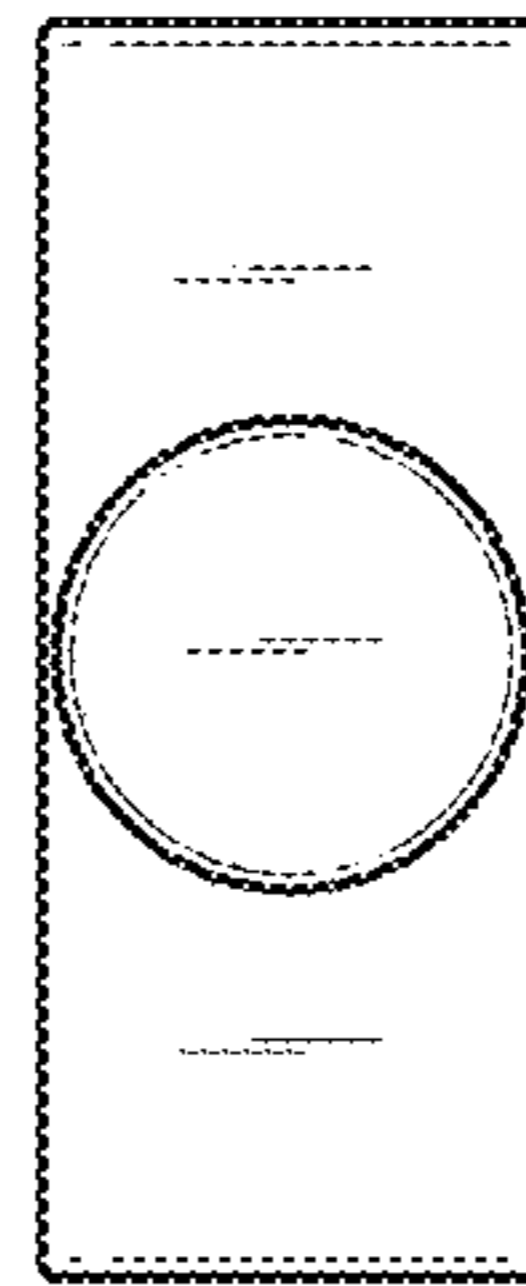


Fig. 8